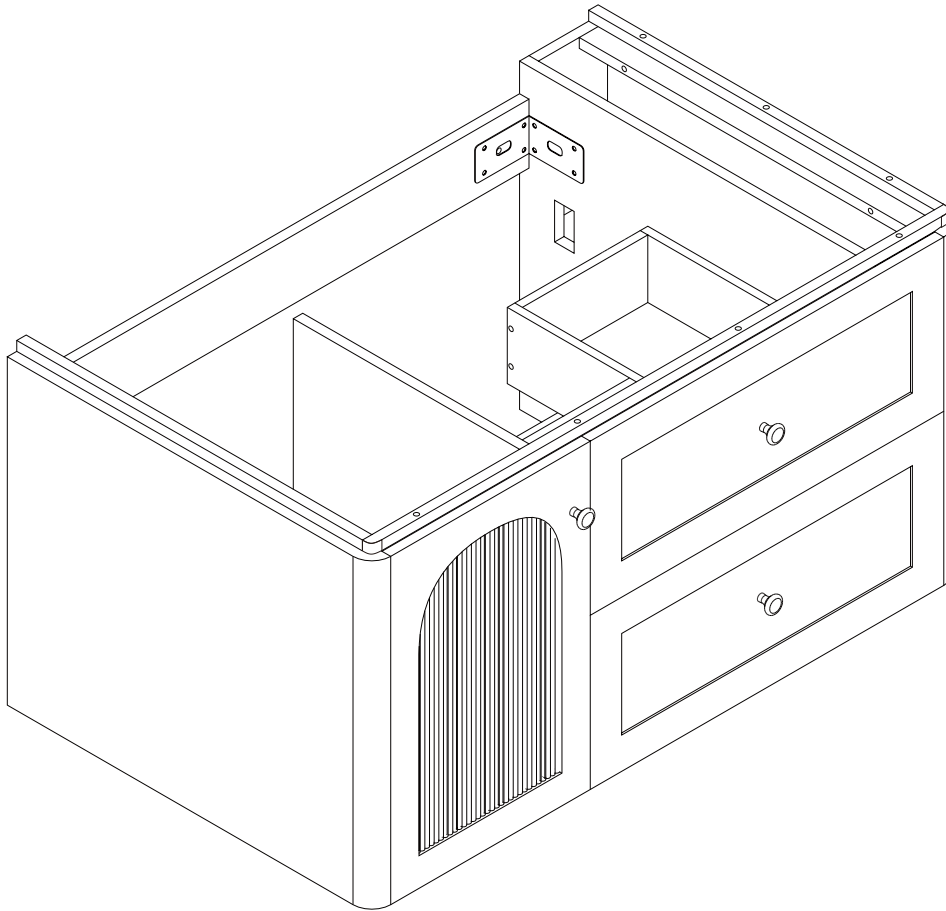


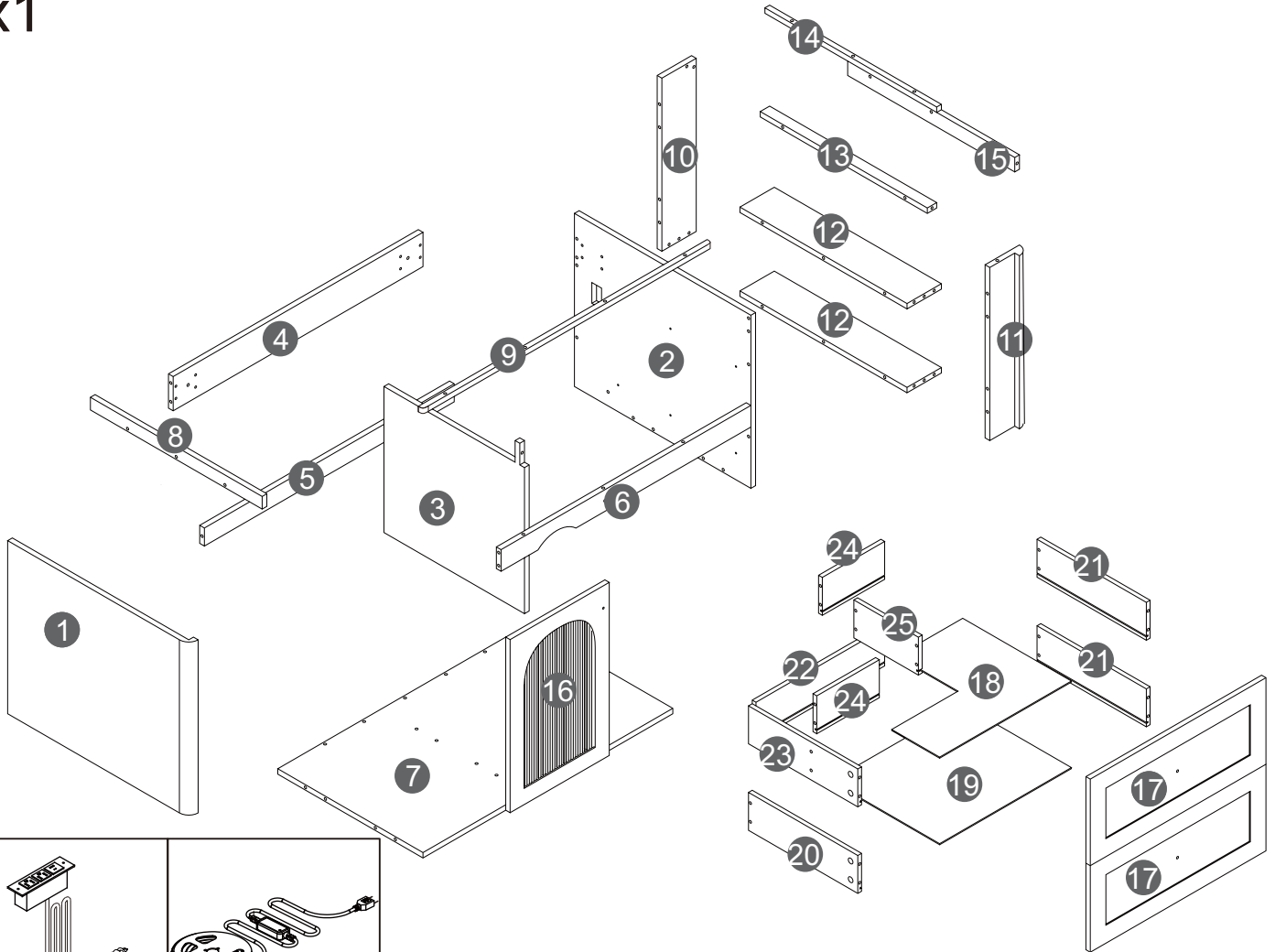
Assembly Instructions



If there is any problem with the item, please call us for more service instead of returning the item directly.

HARDWARE LIST

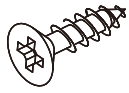
- ① x1
- ② x1
- ③ x1
- ④ x1
- ⑤ x1
- ⑥ x1
- ⑦ x1
- ⑧ x1
- ⑨ x1
- ⑩ x1
- ⑪ x1
- ⑫ x2
- ⑬ x1
- ⑭ x1
- ⑮ x1
- ⑯ x1
- ⑰ x2
- ⑱ x1
- ⑲ x1
- ⑳ x1
- ㉑ x2
- ㉒ x1
- ㉓ x1
- ㉔ x2
- ㉕ x1



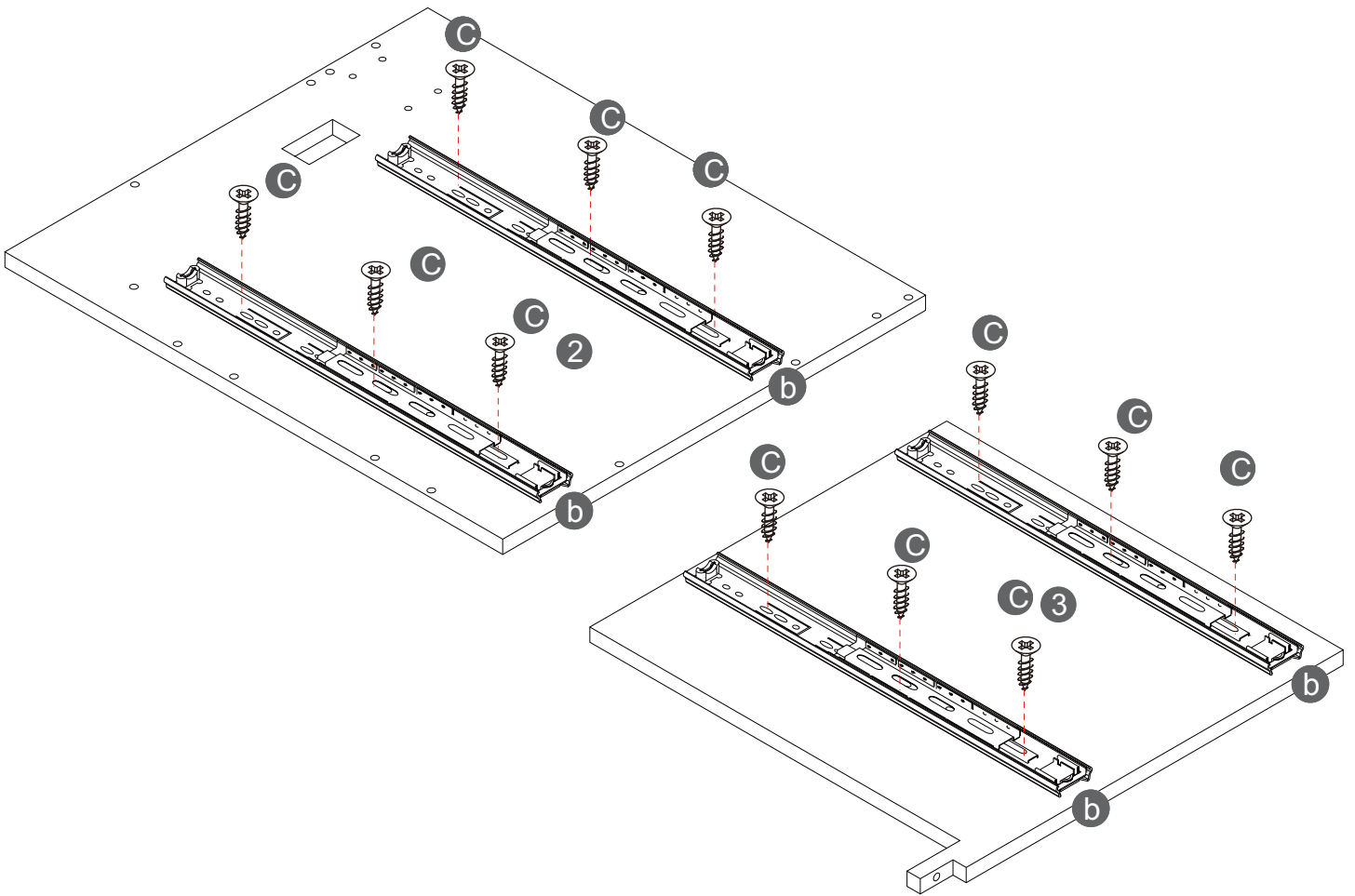
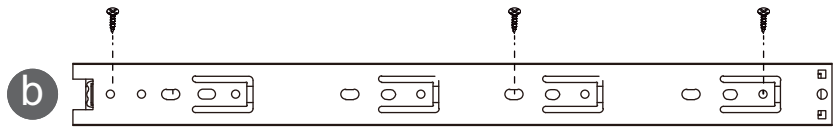
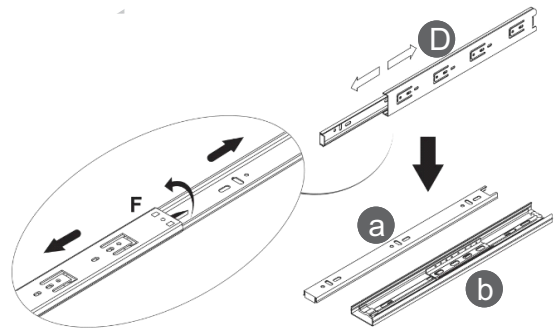
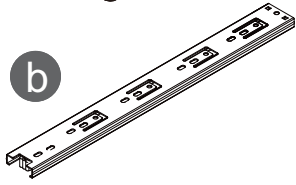
 M = 1	 N = 1				
 A = 30+3	 B = 30+3	 C = 32+2	 D = 4	 E = 3	 F = 27+2
 G = 10+1	 H = 2	 I = 17+1	 J = 10+1	 K = 2	 L = 2

STEP 1

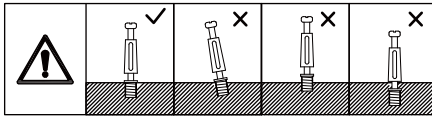
C x12pcs





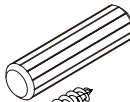
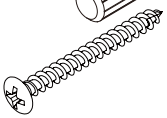
D x4pcs

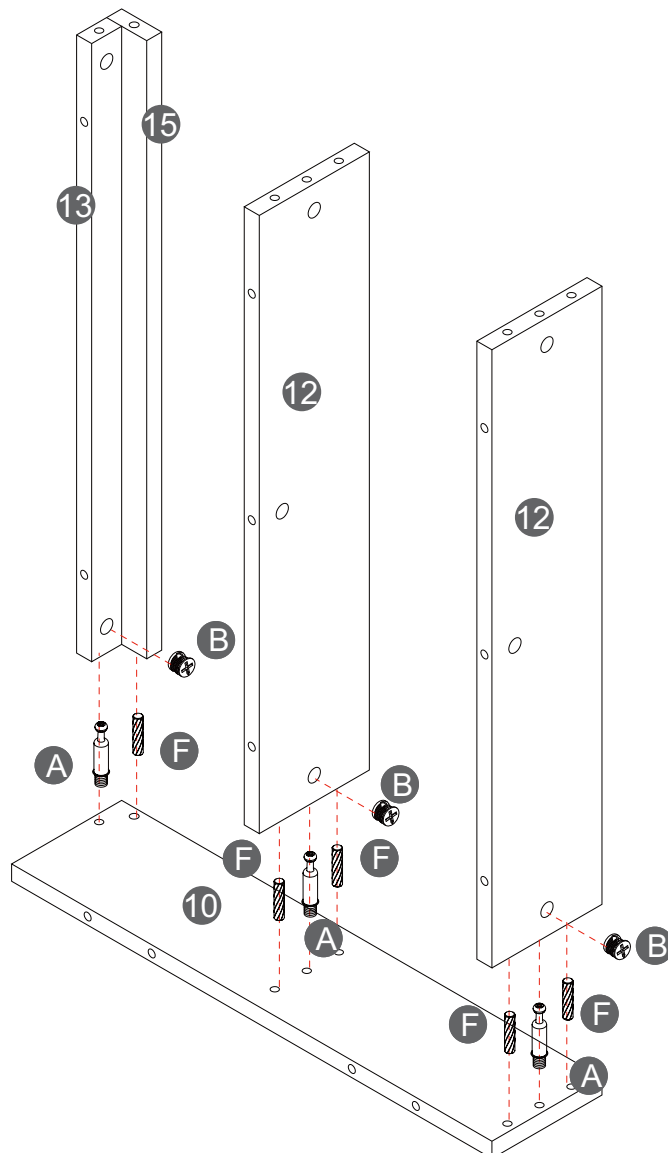
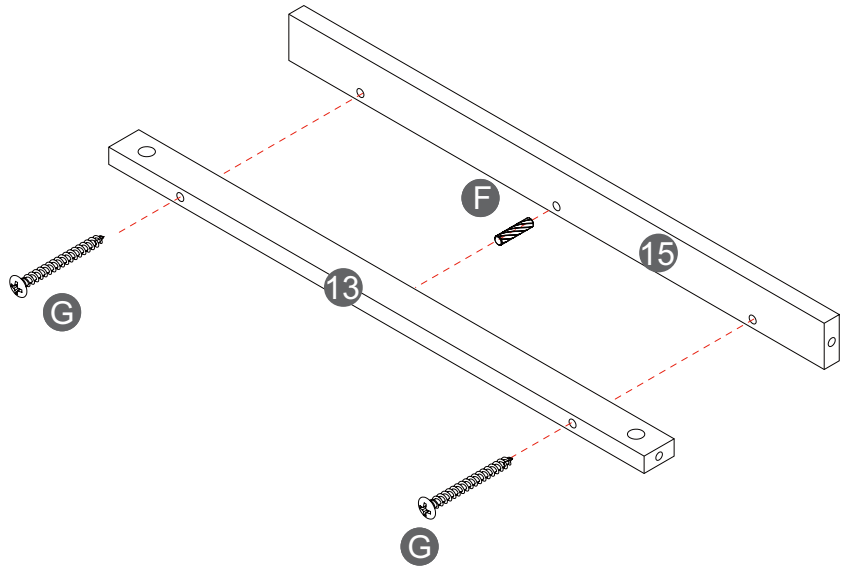


STEP 2

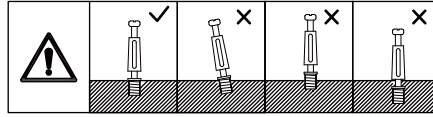


Note: Please make sure the screws are not too loose or too tight, or skewed.



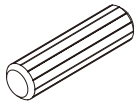
- A** x3pcs 
- B** x3pcs 
- F** x6pcs 
- G** x2pcs 

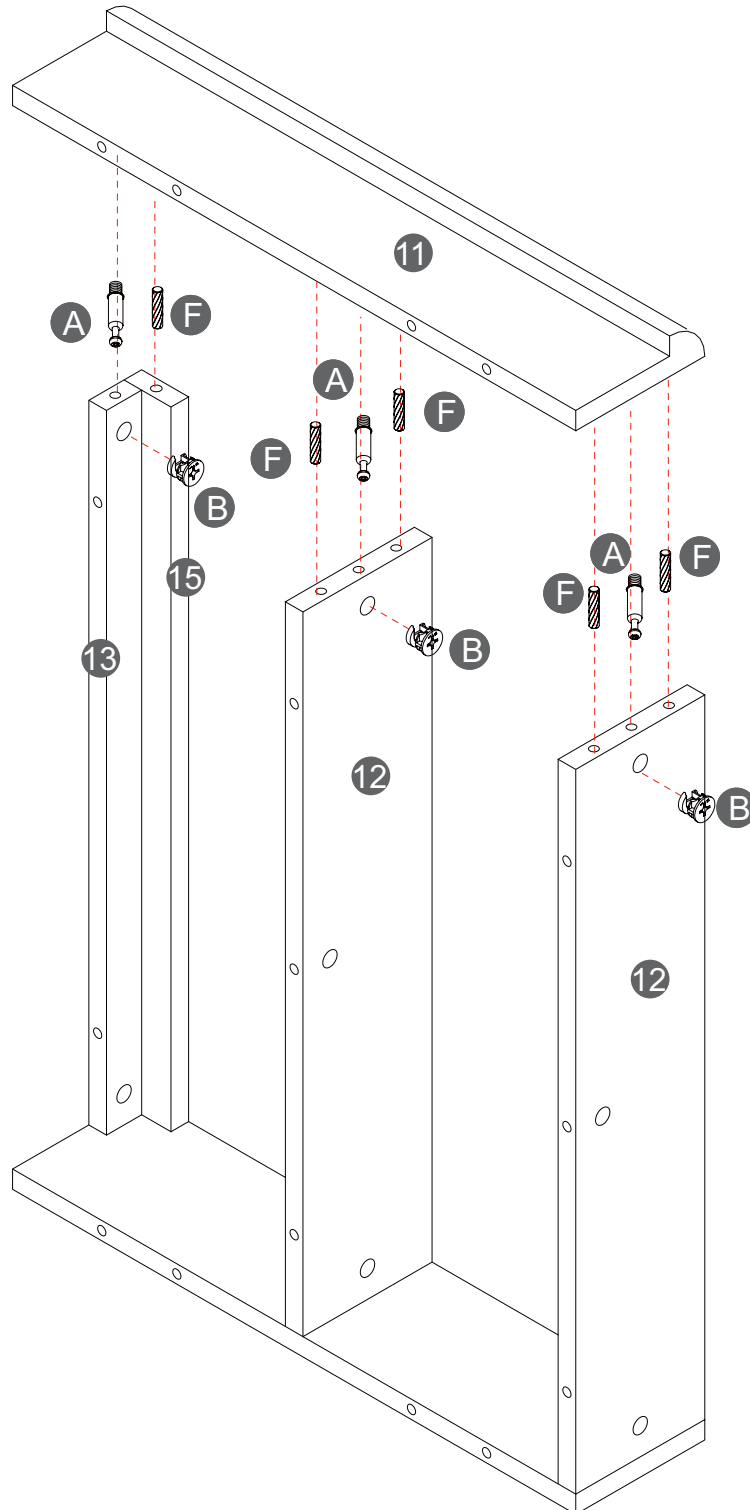


STEP 3

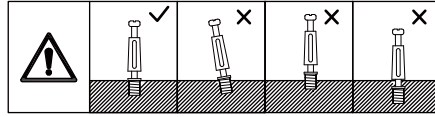


Note: Please make sure the screws are not too loose or too tight, or skewed.



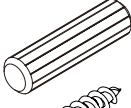
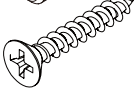
- A** x3pcs 
- B** x3pcs 
- F** x5pcs 

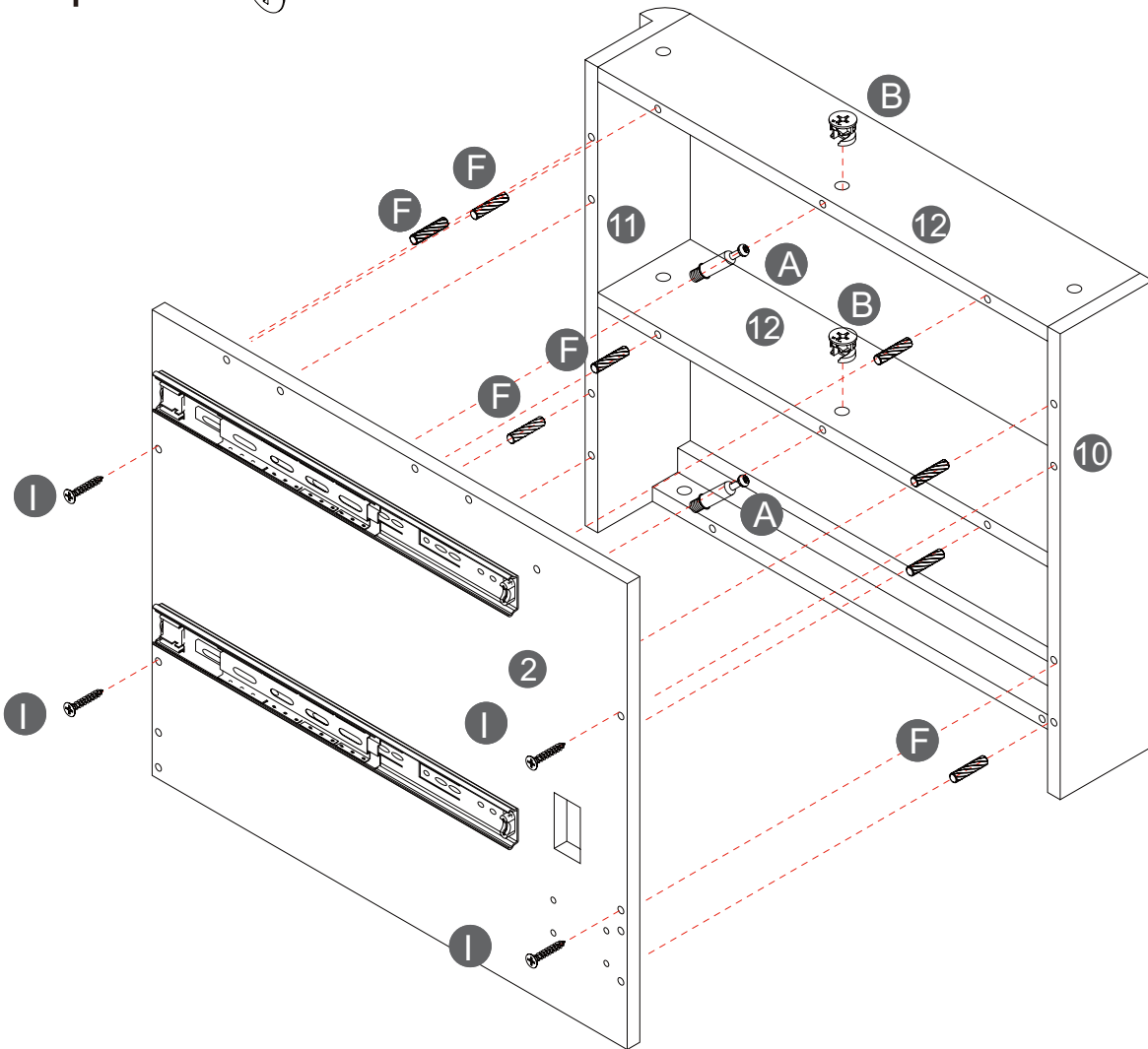


STEP 4

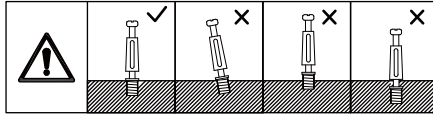


Note: Please make sure the screws are not too loose or too tight, or skewed.

- A** x2pcs 
- B** x2pcs 
- F** x8pcs 
- I** x4pcs 

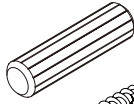


STEP 5

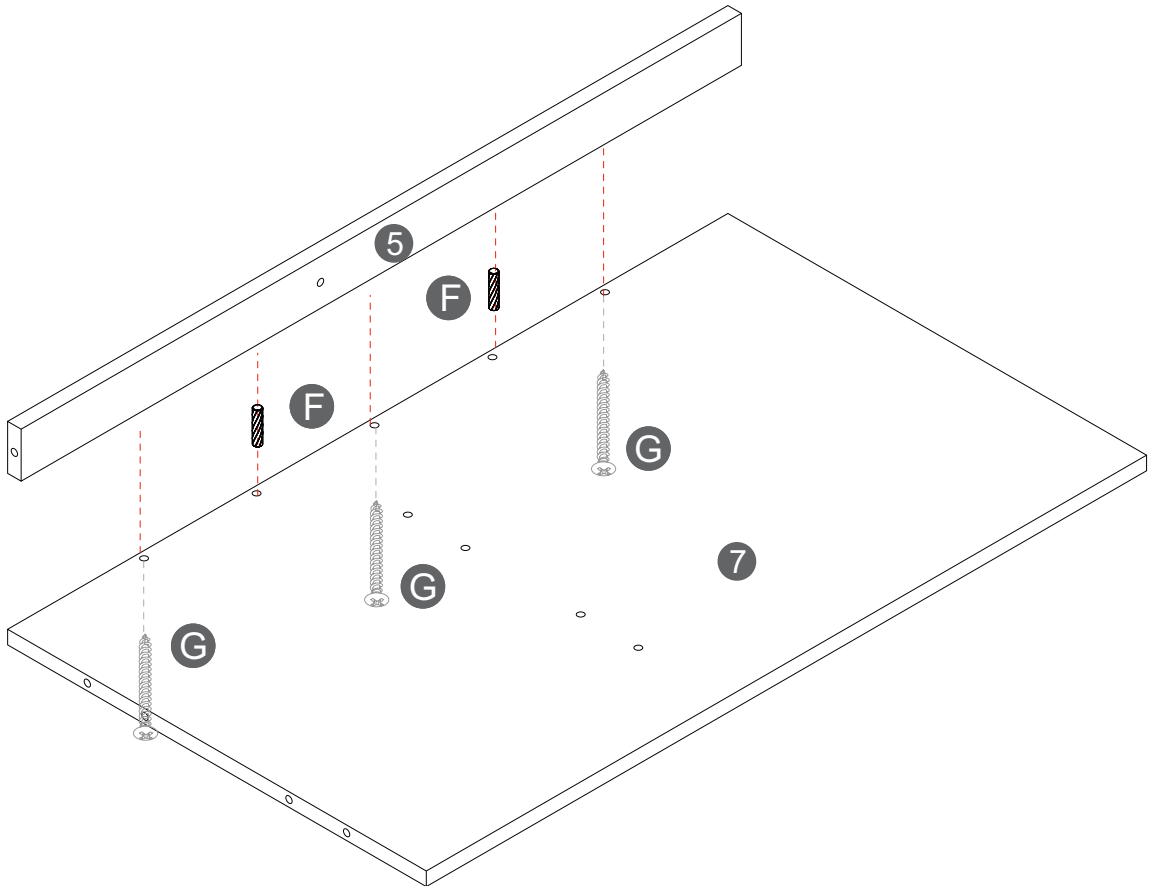
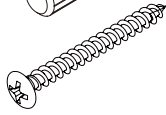


Note: Please make sure the screws are not too loose or too tight, or skewed.

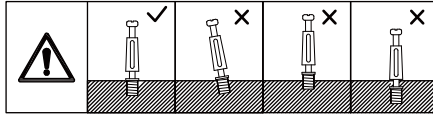
F x2pcs



G x3pcs

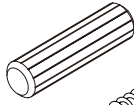


STEP 6

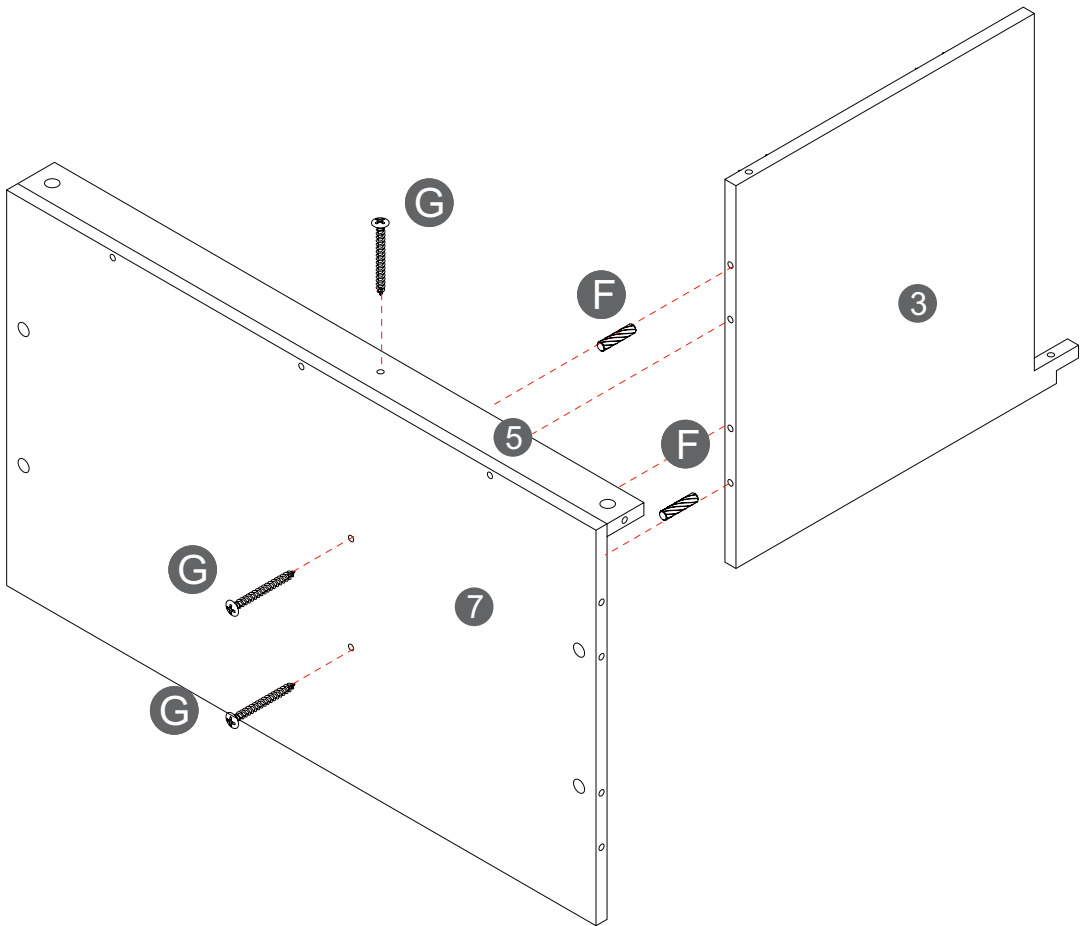
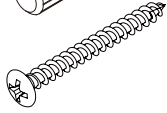


Note: Please make sure the screws are not too loose or too tight, or skewed.

F x2pcs



G x3pcs

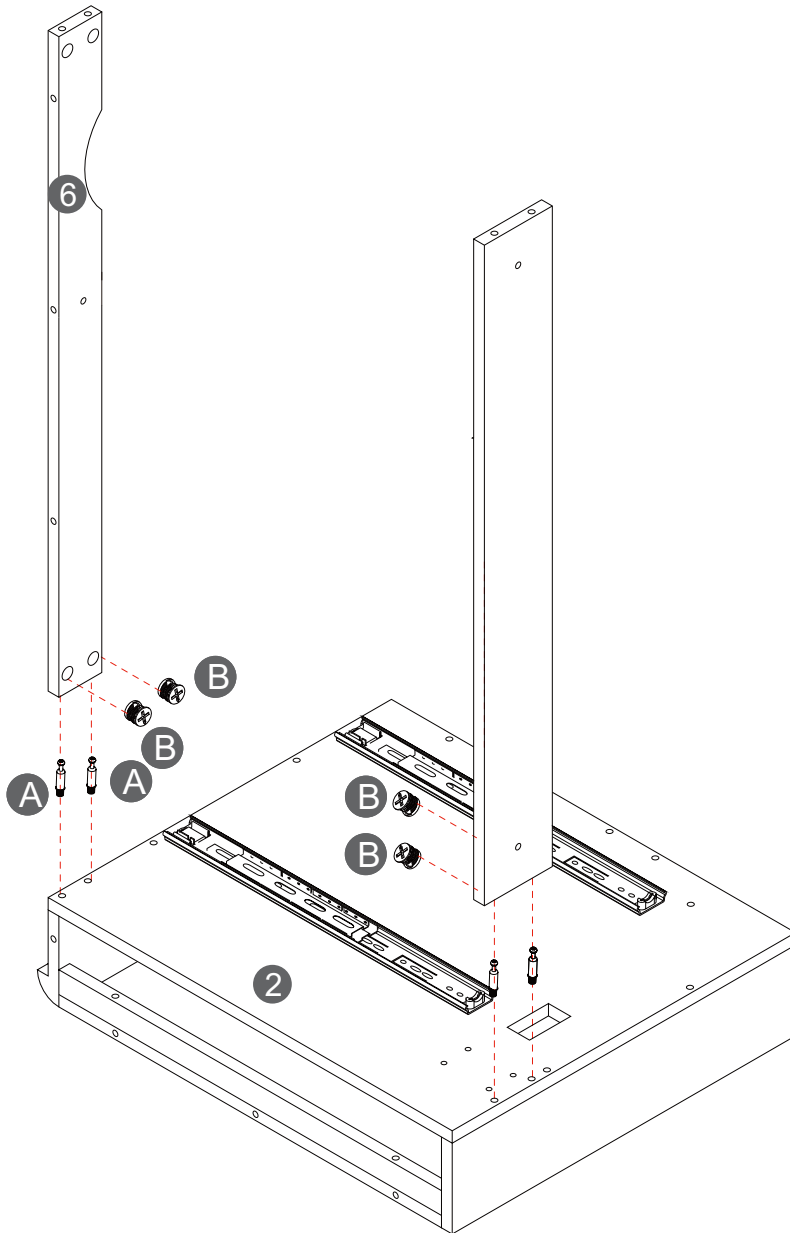


STEP 7

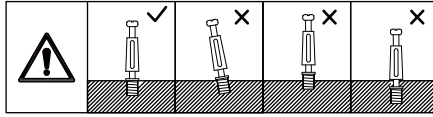
A x4pcs



B x4pcs



STEP 8



Note: Please make sure the screws are not too loose or too tight, or skewed.

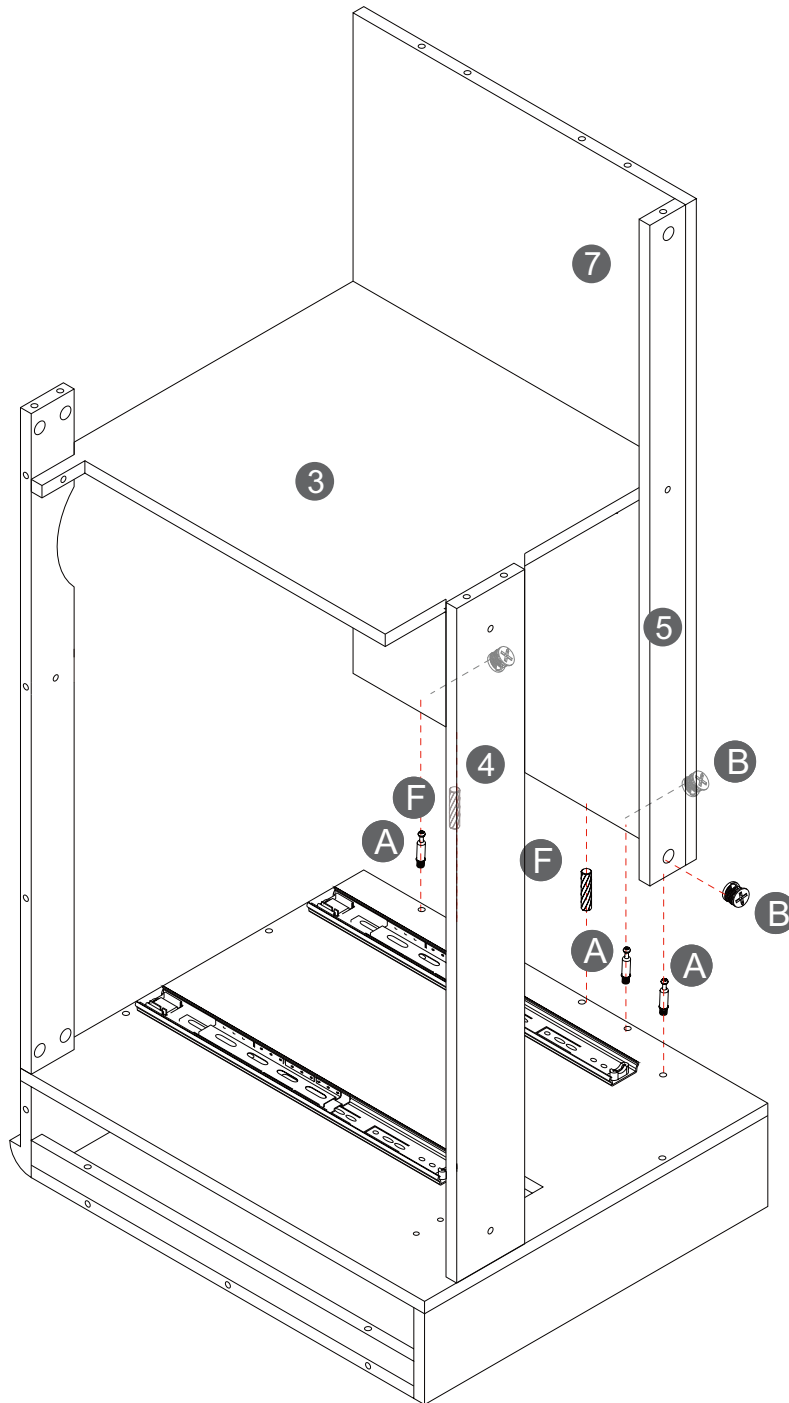
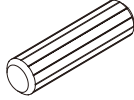
A x3pcs



B x3pcs



F x2pcs



STEP 9

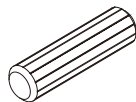
A x7pcs



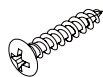
B x7pcs



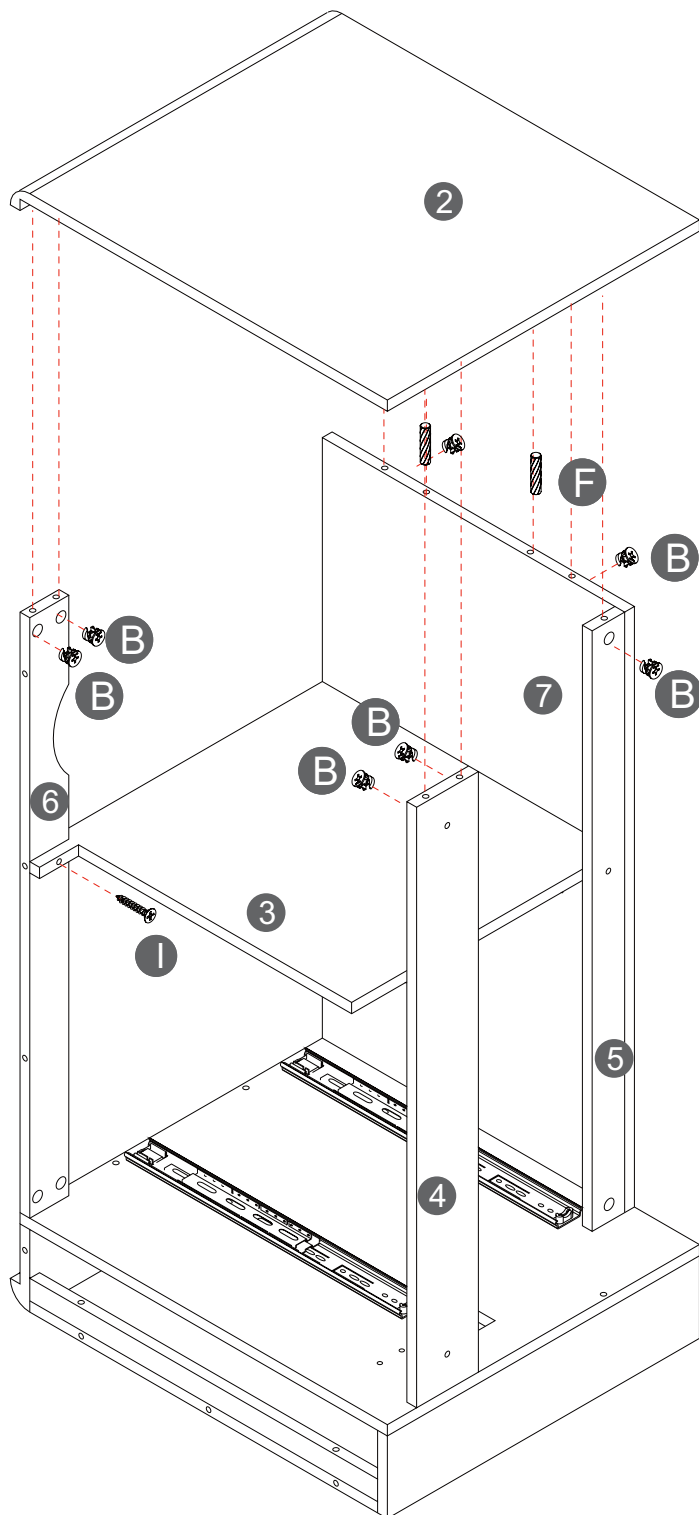
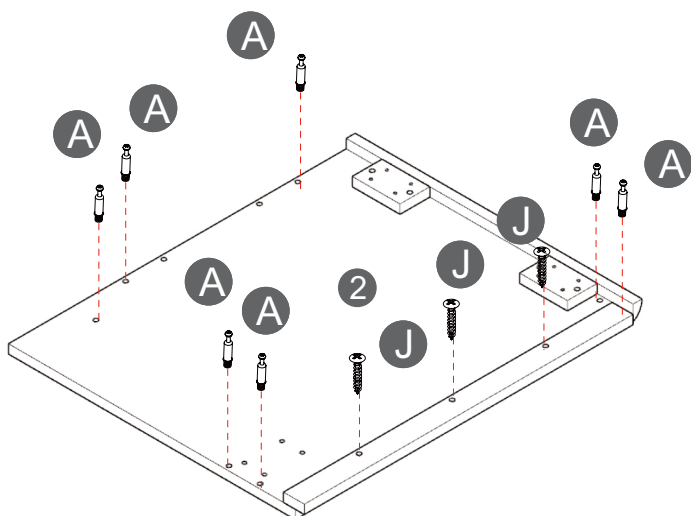
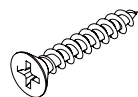
F x2pcs



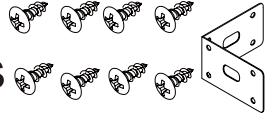
J x3pcs



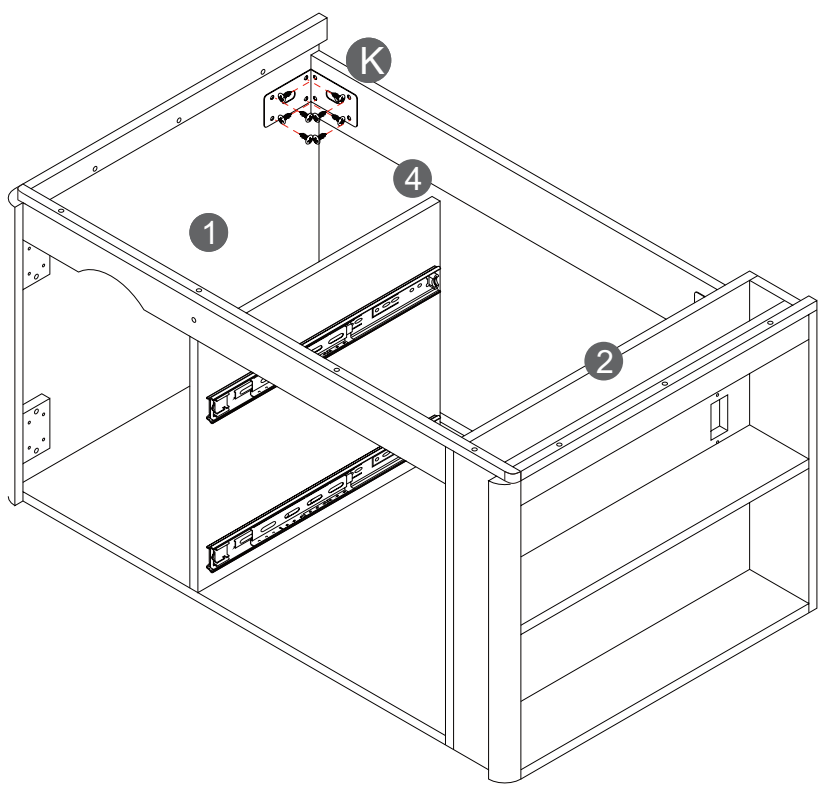
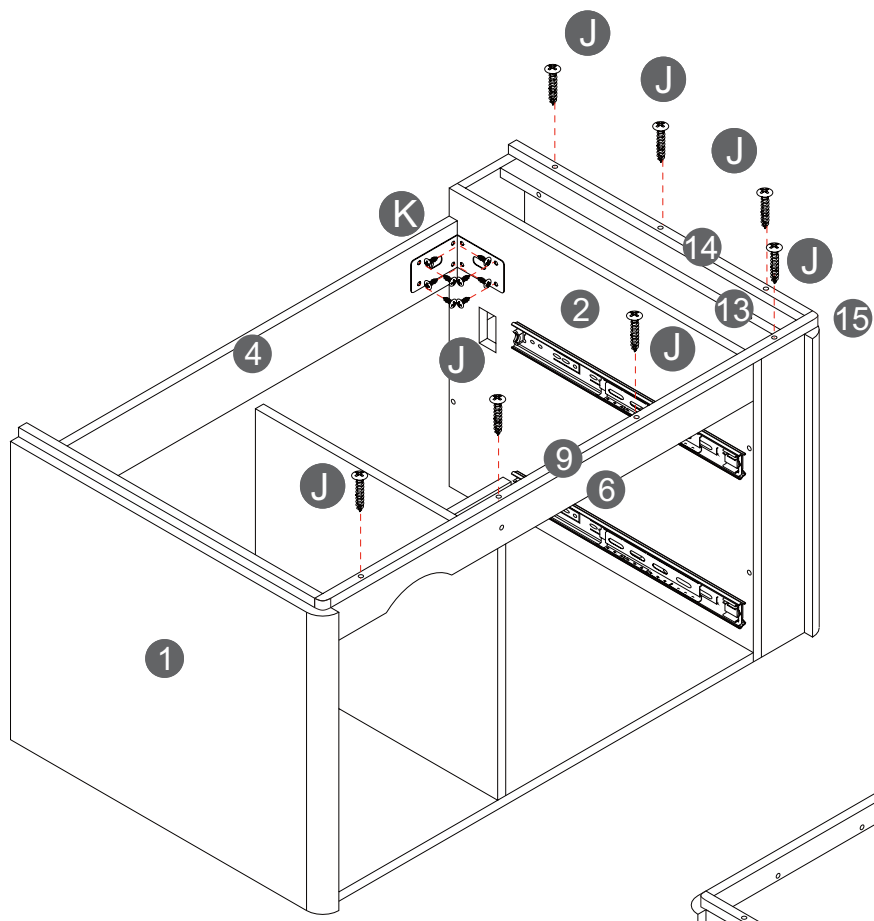
I x1pc



STEP 10

K x2pcs 

J x7pcs 



STEP 11

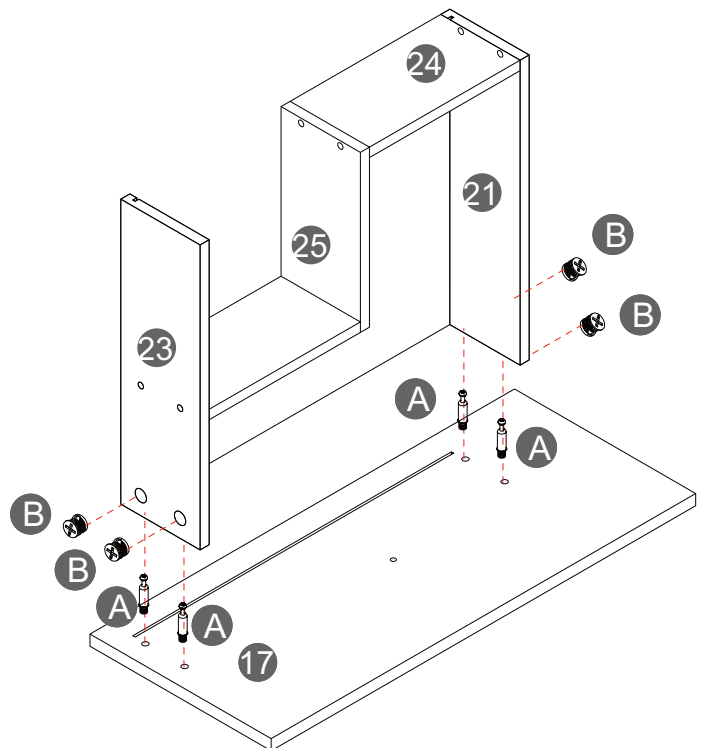
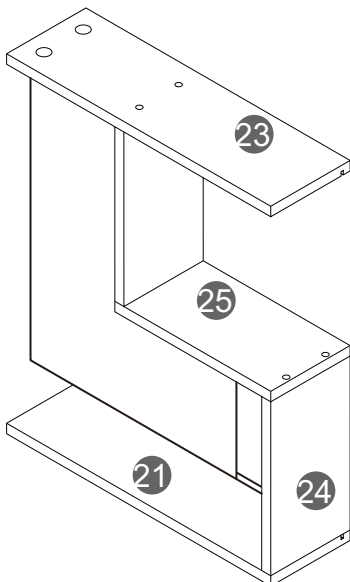
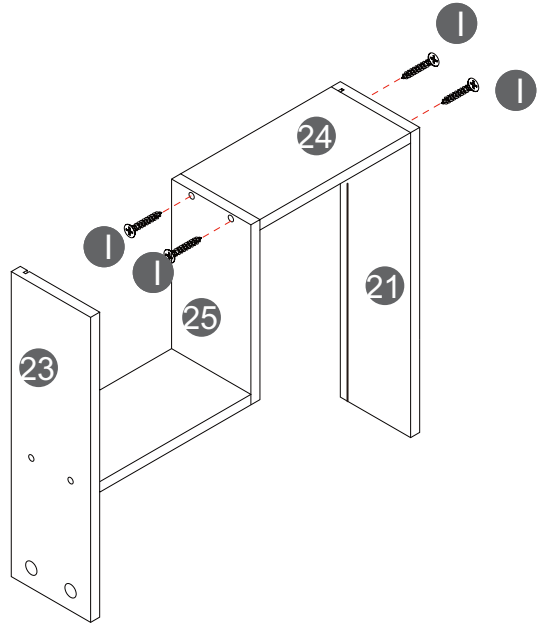
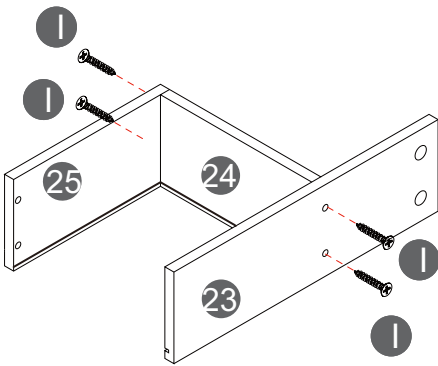
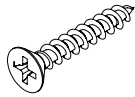
A x4pcs



B x4pcs



I x8pcs



STEP 12

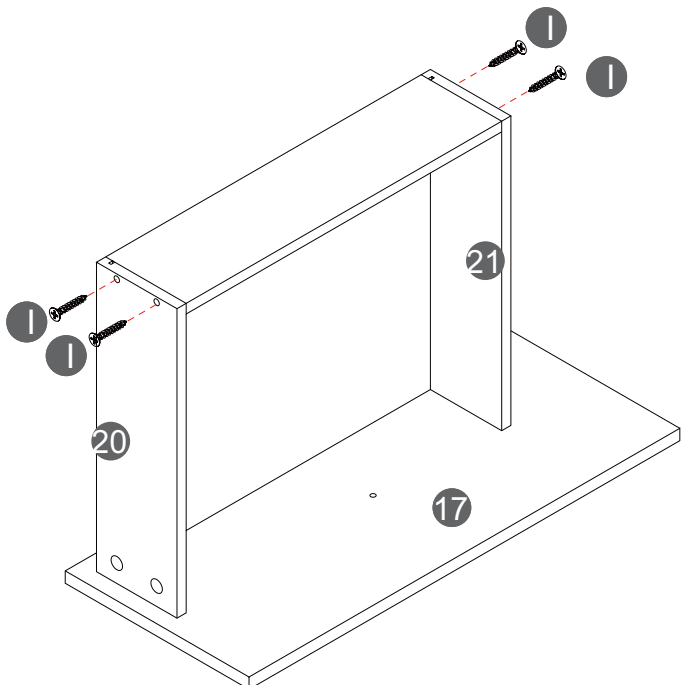
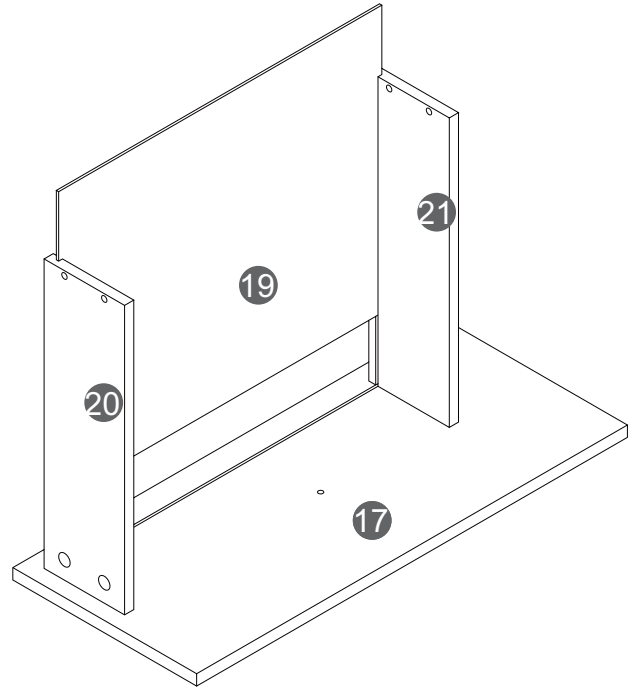
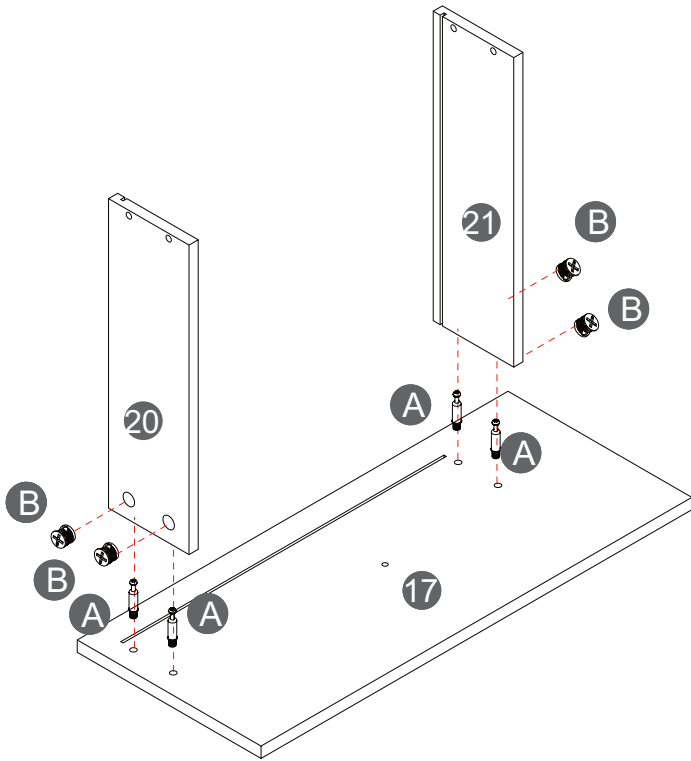
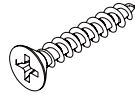
A x4pcs



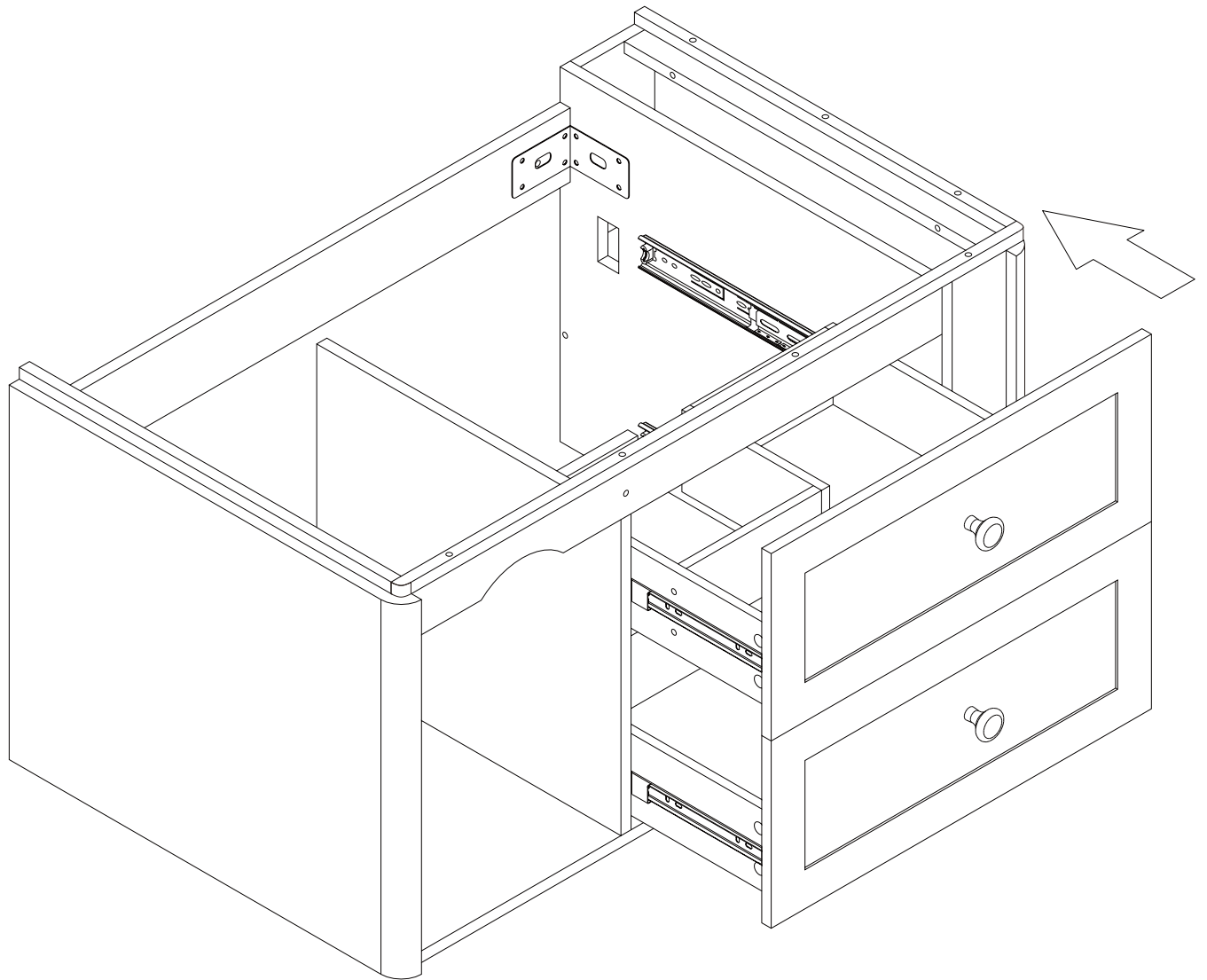
B x4pcs



I x4pcs



STEP 14





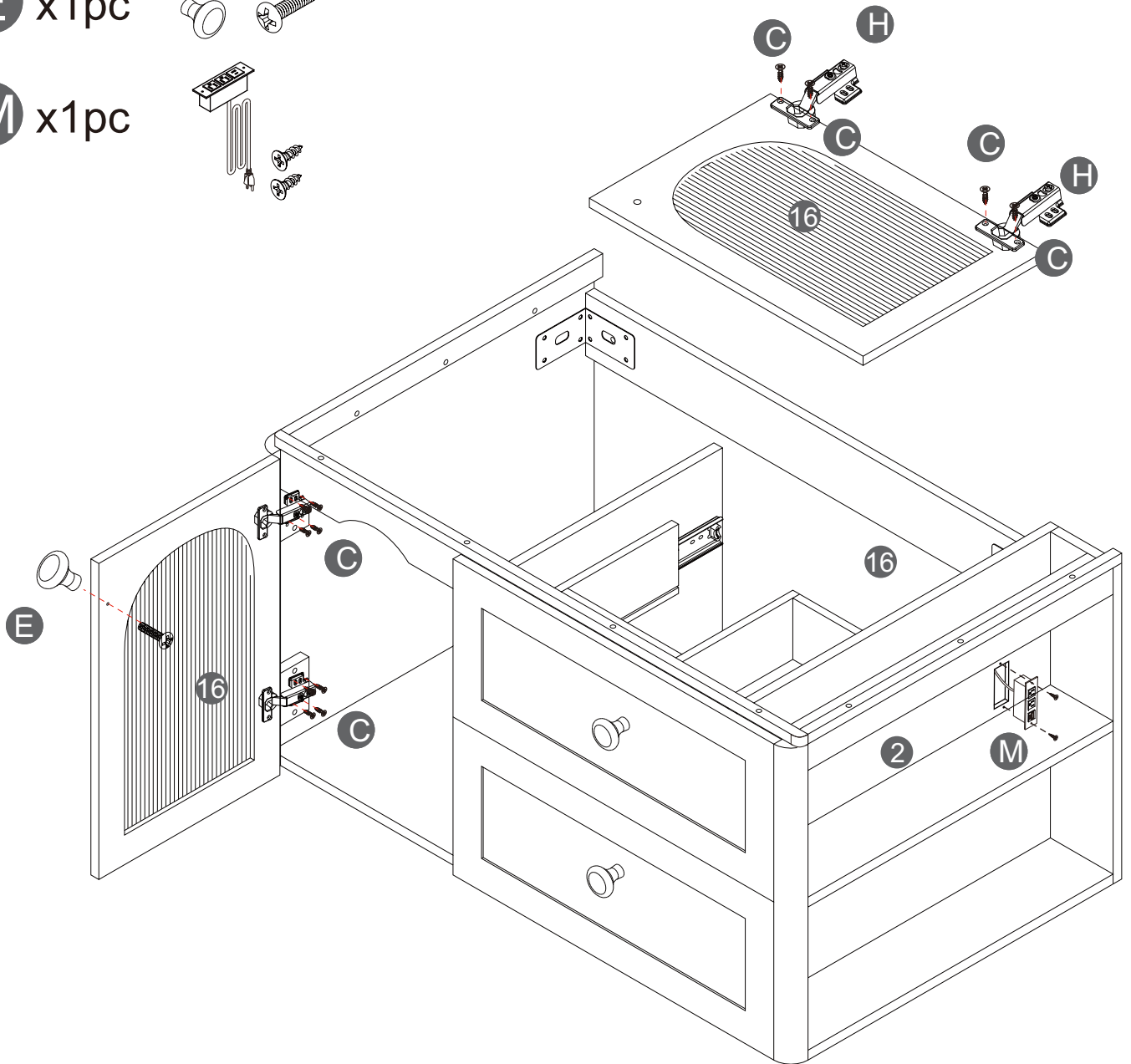
STEP 15

C x12pcs 

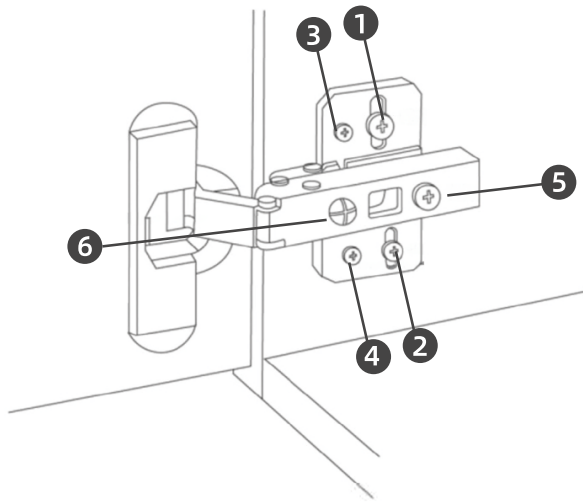
H x2pcs 

E x1pc  

M x1pc  

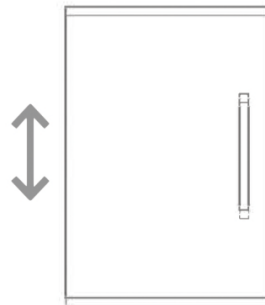


HINGE ADJUSTMENTS



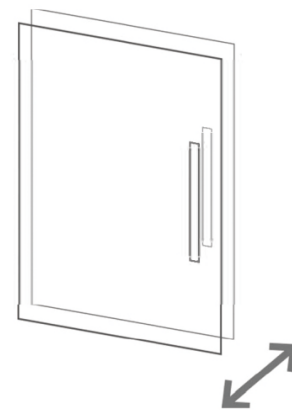
1 Height Adjustment by Screws No. 1, 2, 3, and 4.

- Loosen all screws located on the sideboards.
- Move the door to the desired height.
- Tighten all screws securely.



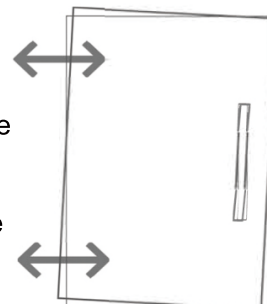
2 Forward and Backward Adjustment by Screw No. 5:

- Loosen the screw found on the hinge.
- Position the door in the appropriate location.
- Tighten the screw to secure the door.



3 Sideways/Tilt Adjustment by Screw No. 6:

- Turn the screw clockwise to shift the door further away from the cabinet sideboard.
- Turn the screw counterclockwise to bring the door closer to the cabinet sideboard.



STEP 16

N x1pc

G x2pcs

L x2pcs

