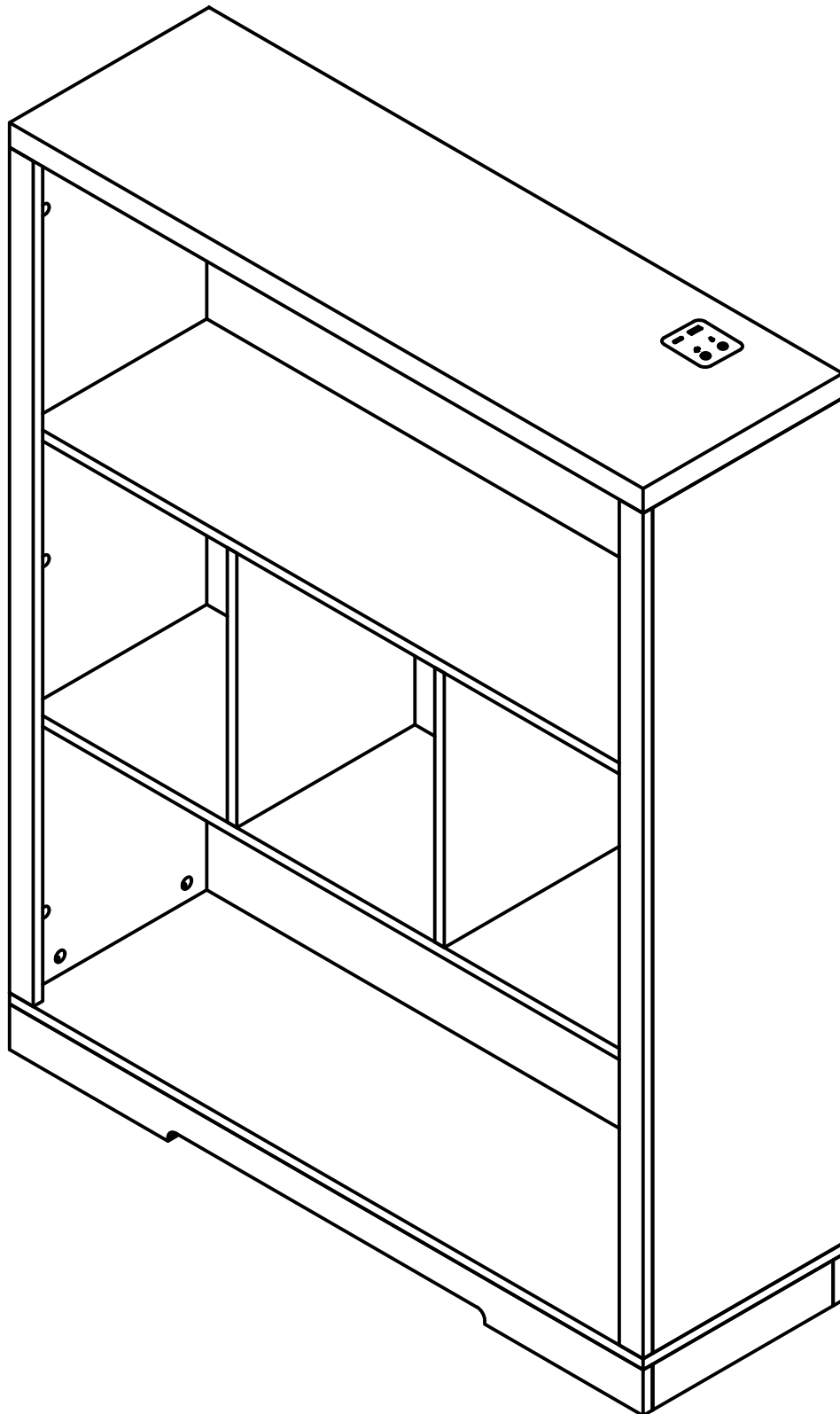
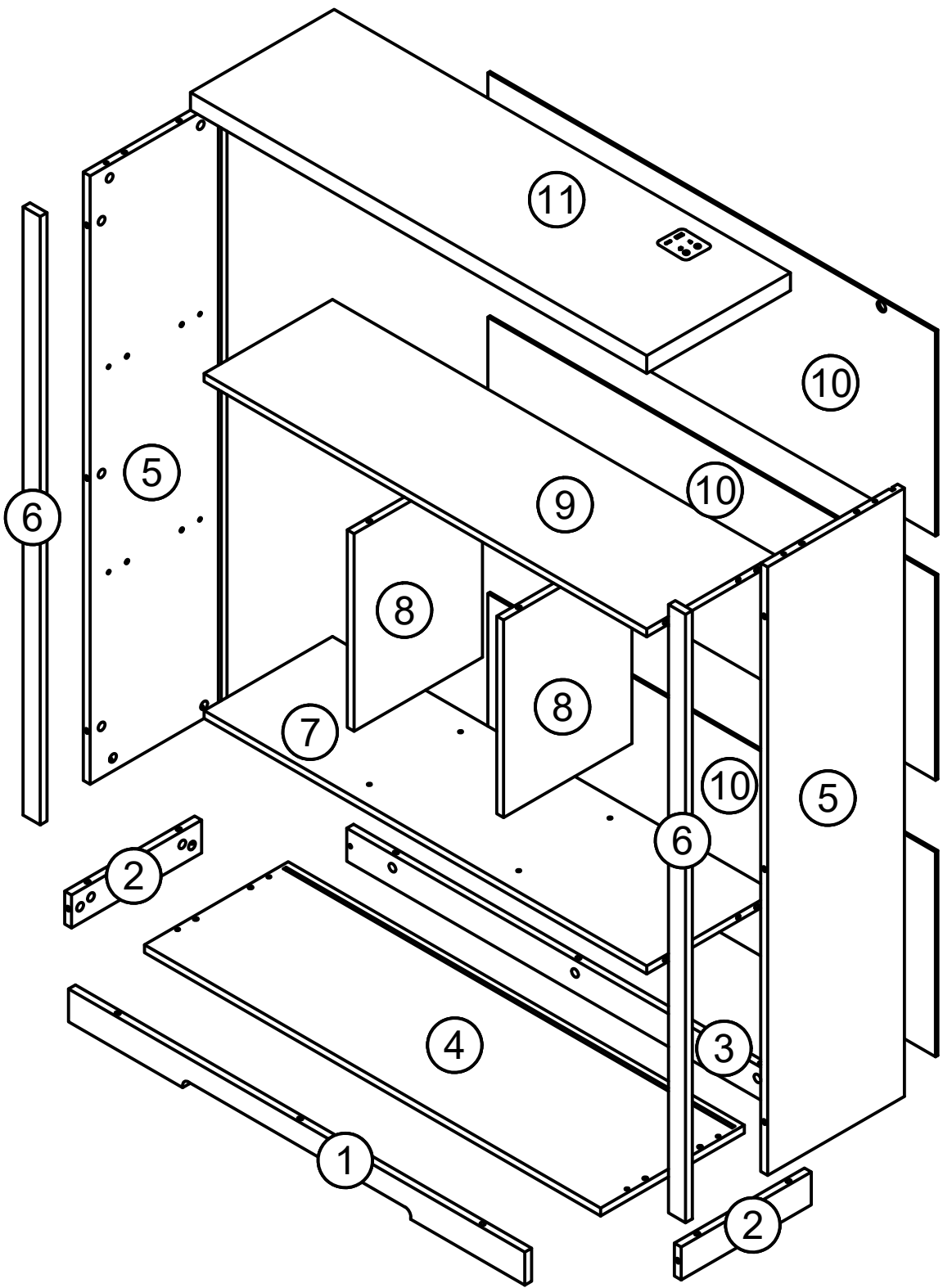
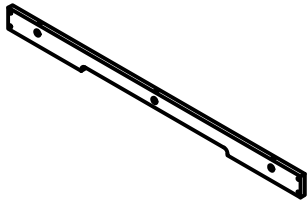


Product Installation Instructions

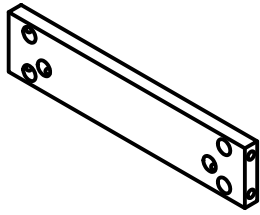


Product structure decomposition

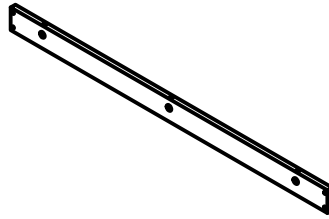




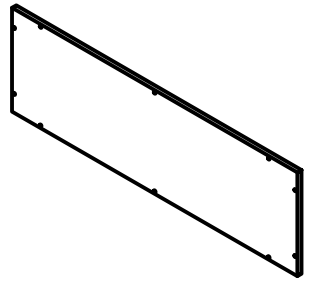
1x1



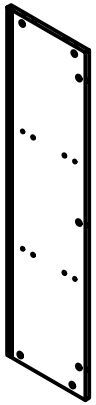
2x2



3x1



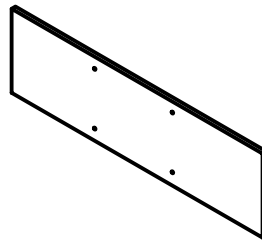
4x1



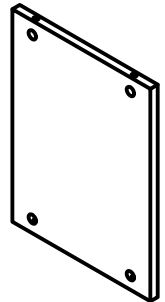
5x2



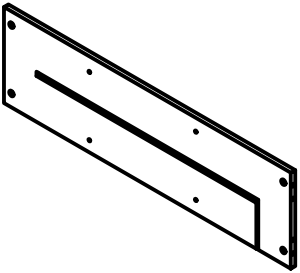
6x2



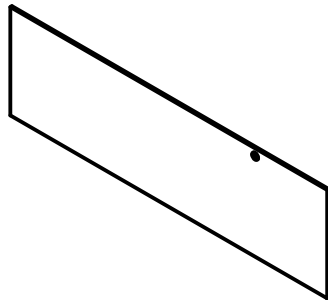
7x1



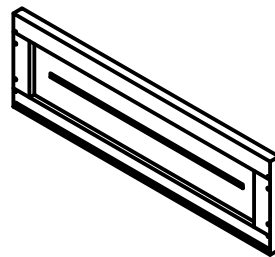
8x2



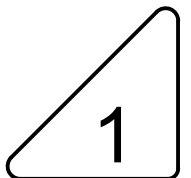
9x1



10x3

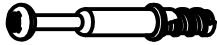


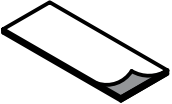
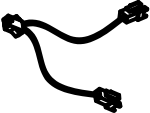


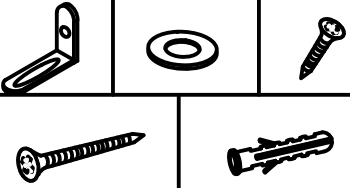



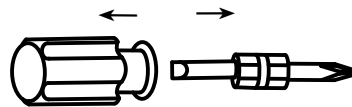
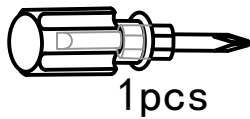
11x1



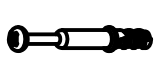







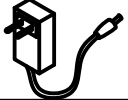
1

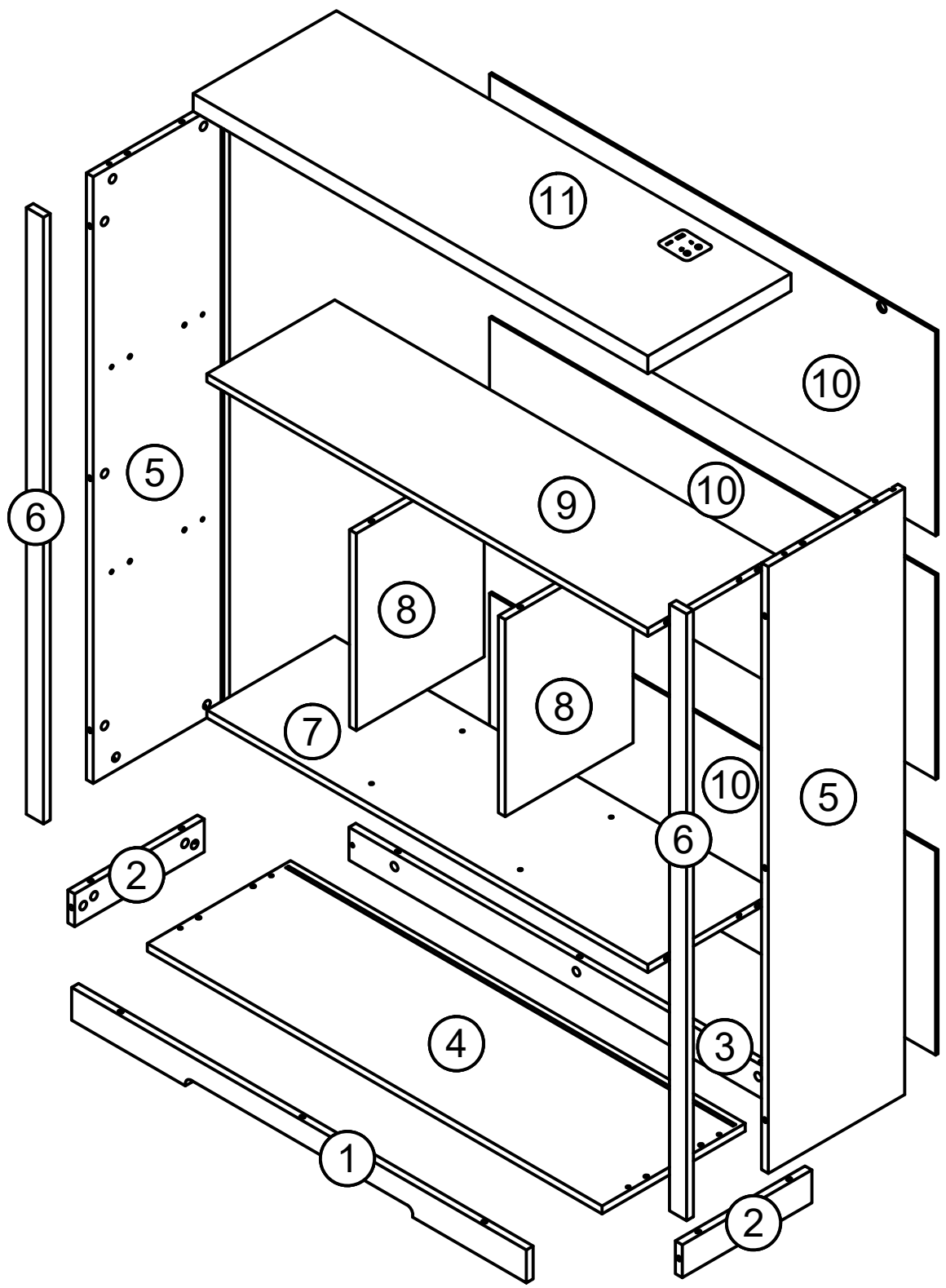
Accessories list

A		Two In One Screw (6x28mm)	42pcs +4pcs
B		Two In One Nut (10x12mm)	42pcs +4pcs
C		Wood Chipping (6x30mm)	16pcs +2pcs
D		Non-slip pads	6pcs +2pcs
E		1 bis 2 power extension cable	1pcs
F		Fixing clip & screw (3x16mm)	10pcs +3pcs
G		Foot nail	4pcs +2pcs
H		Anti fall hardware	2pcs
/		AC/DC Adapter (12V=3.0A)	1pcs

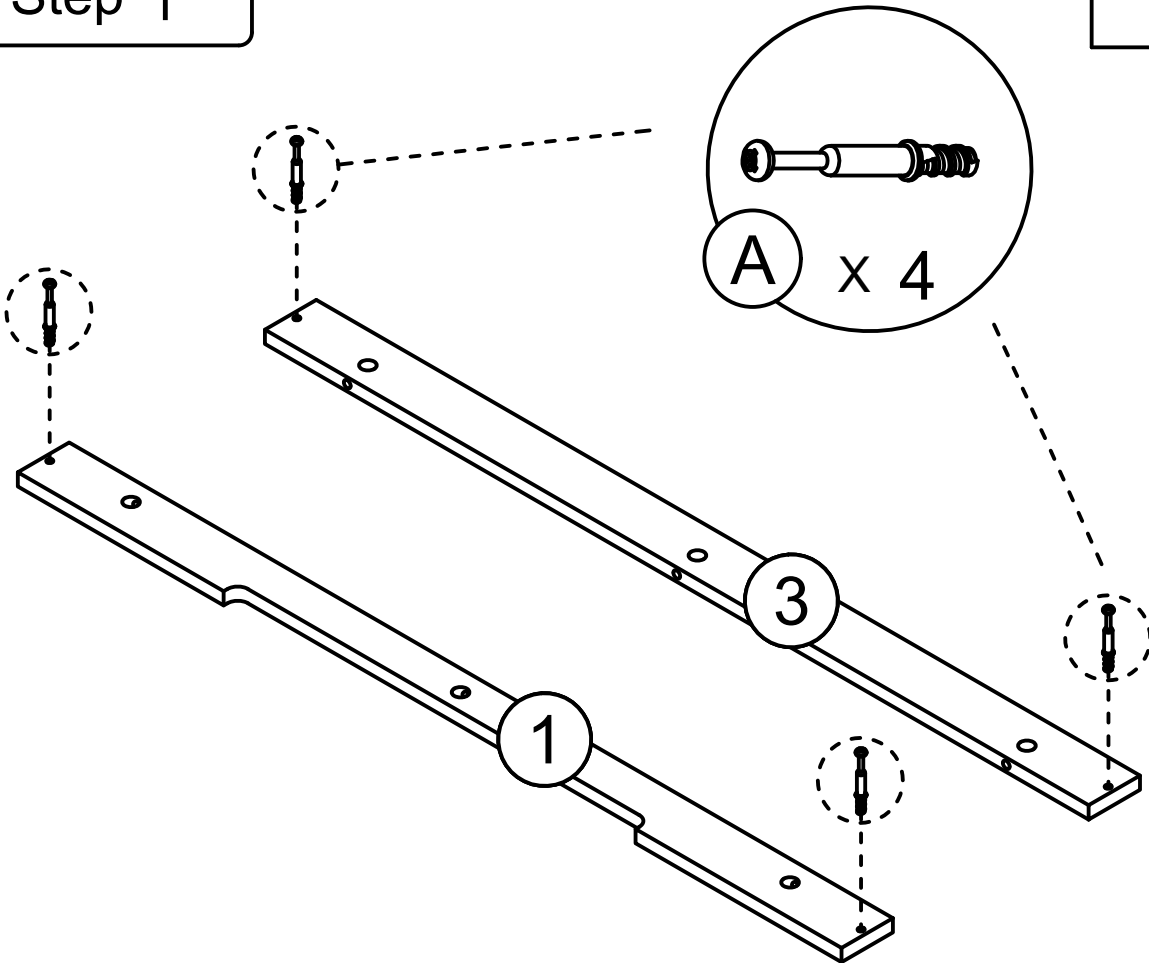
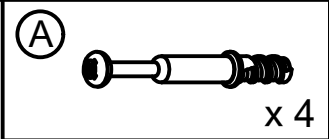


Double-head screwdriver, use as required

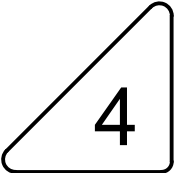
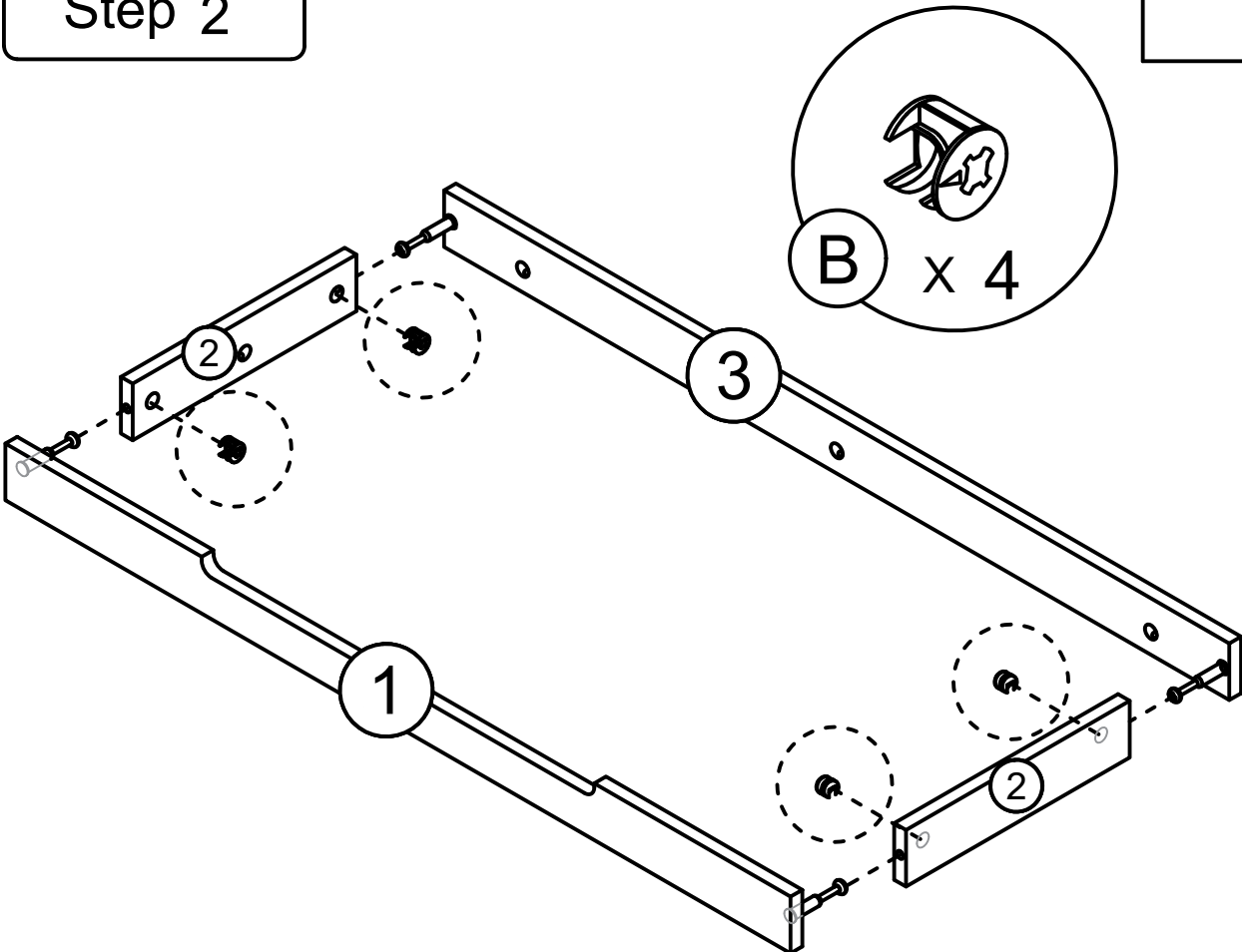
A		42 pcs	B		42 pcs	C		16 pcs
D		6 pcs	E		1 pcs	F		10 pcs
G		4 pcs	H		2 pcs			1 pcs



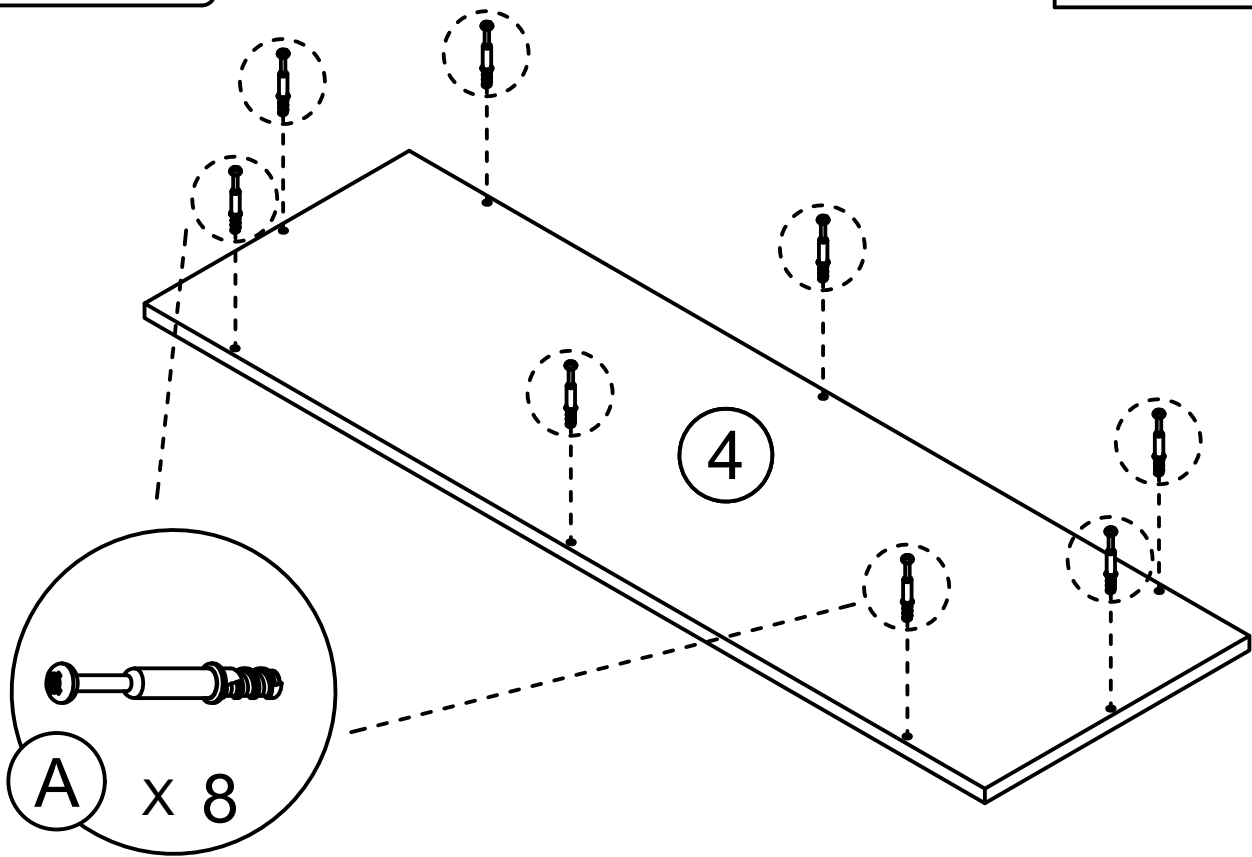
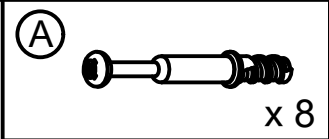
Step 1



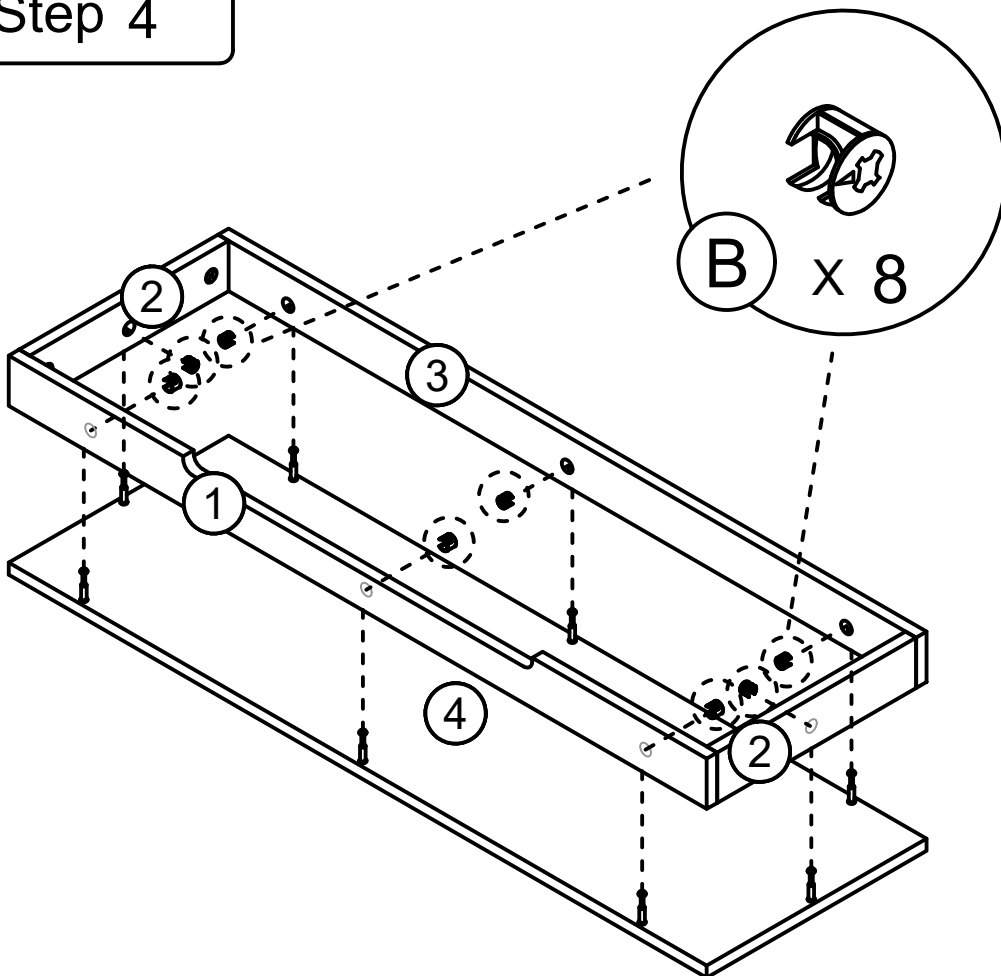
Step 2



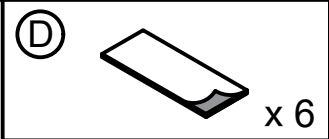
Step 3



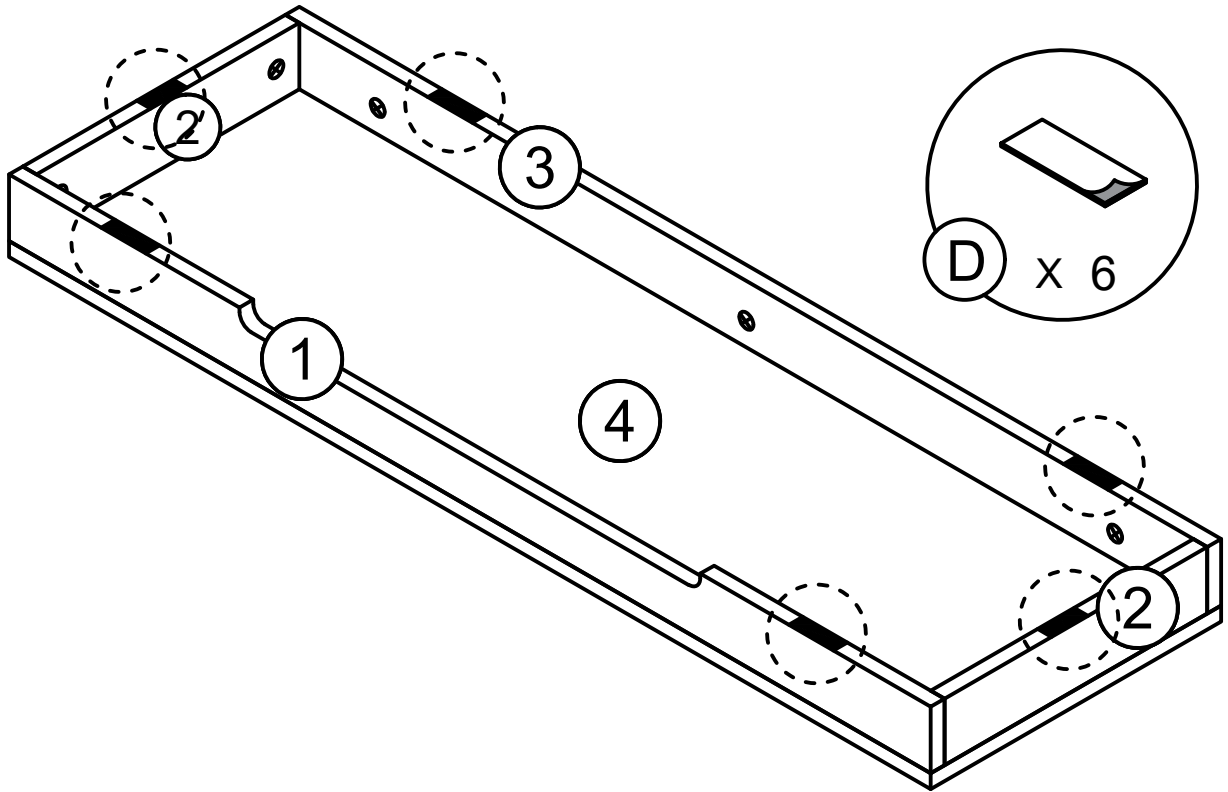
Step 4



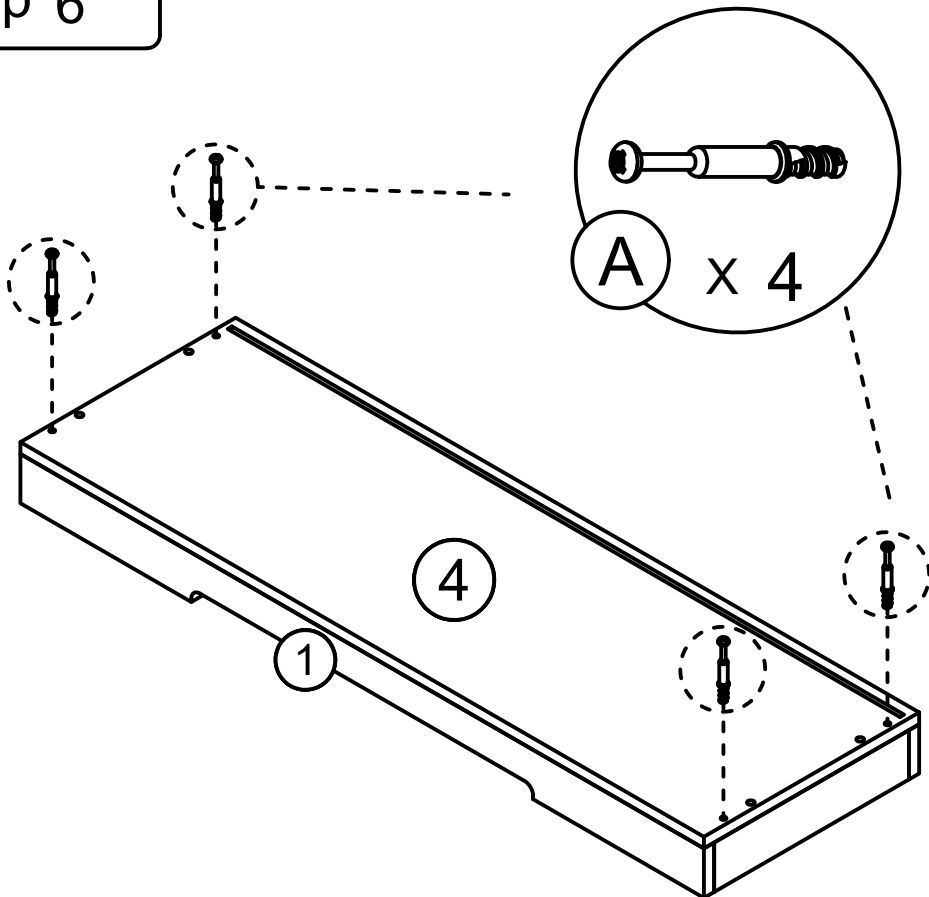
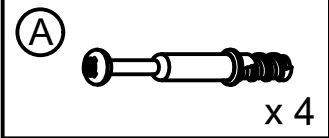
Step 5



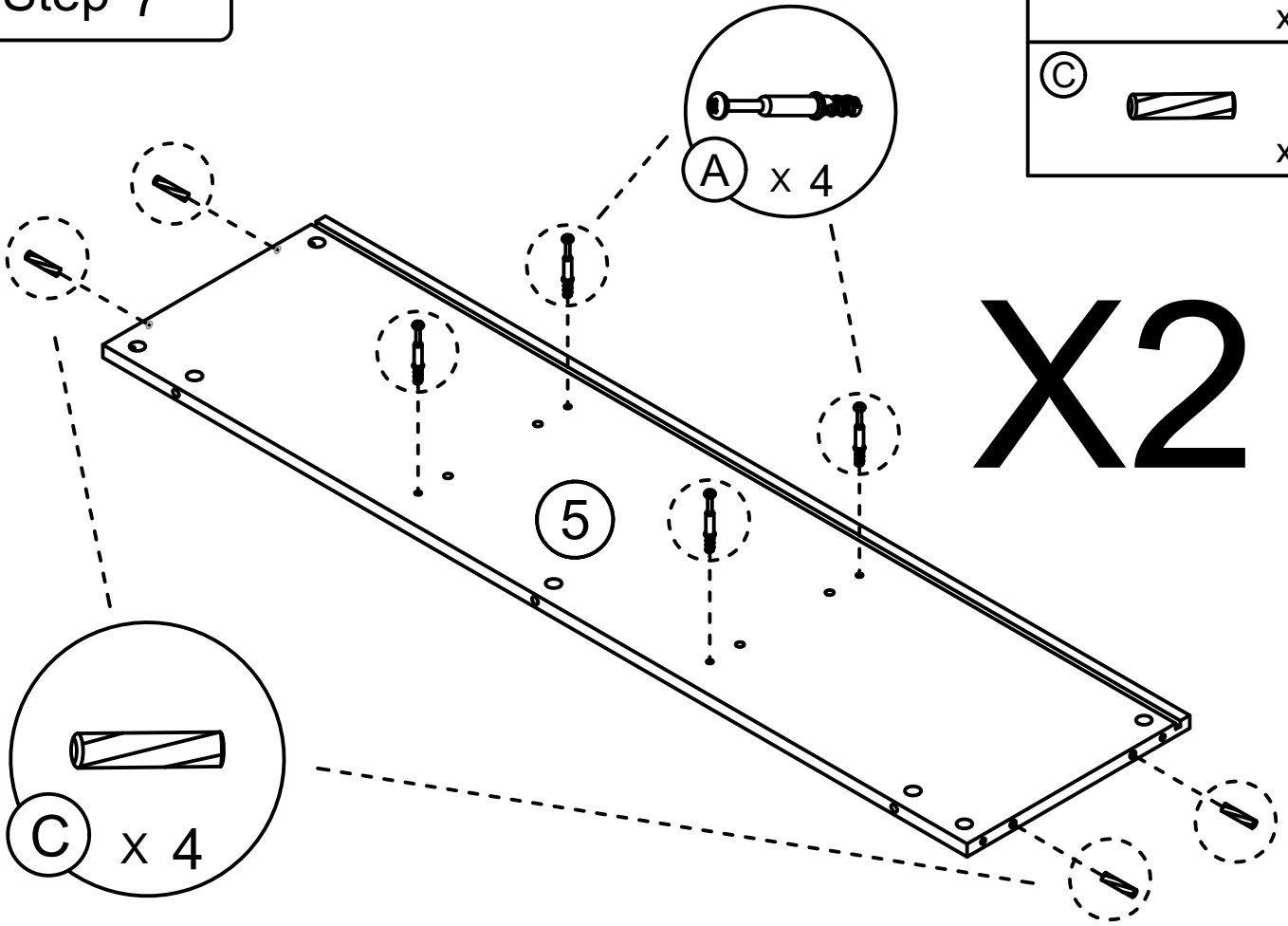
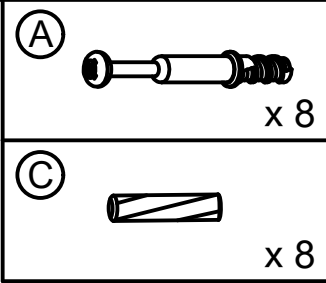
Tear off release paper and stick the black foot pad on the board



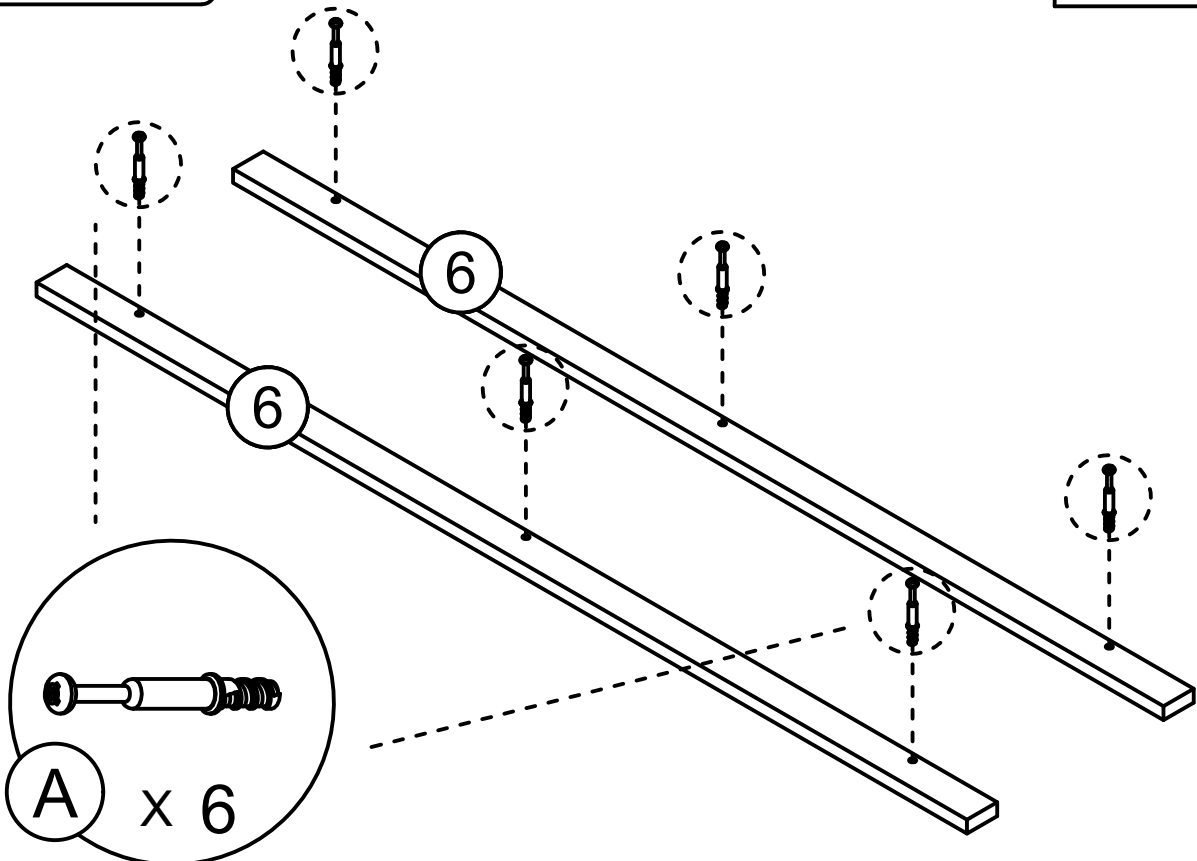
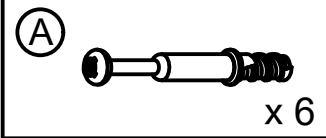
Step 6



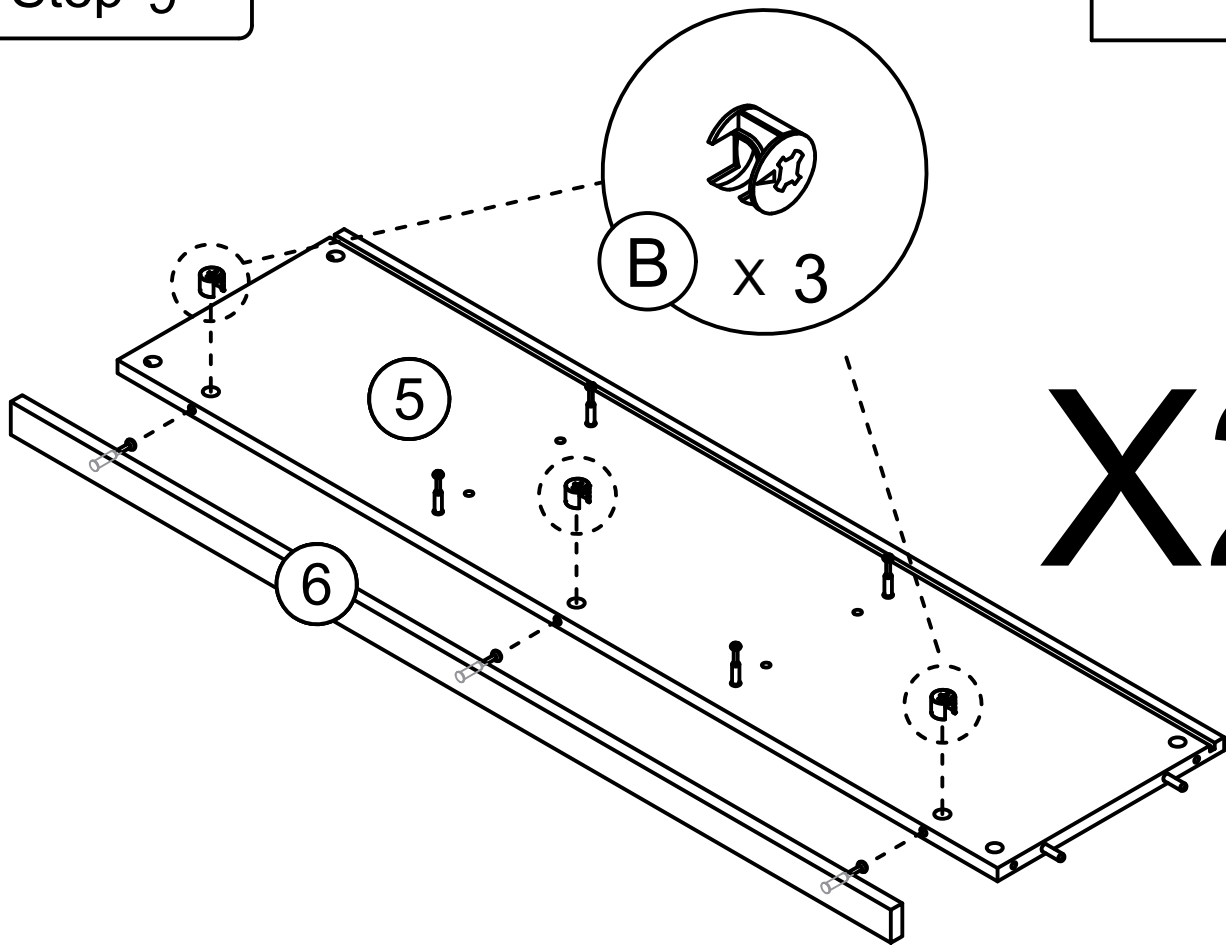
Step 7



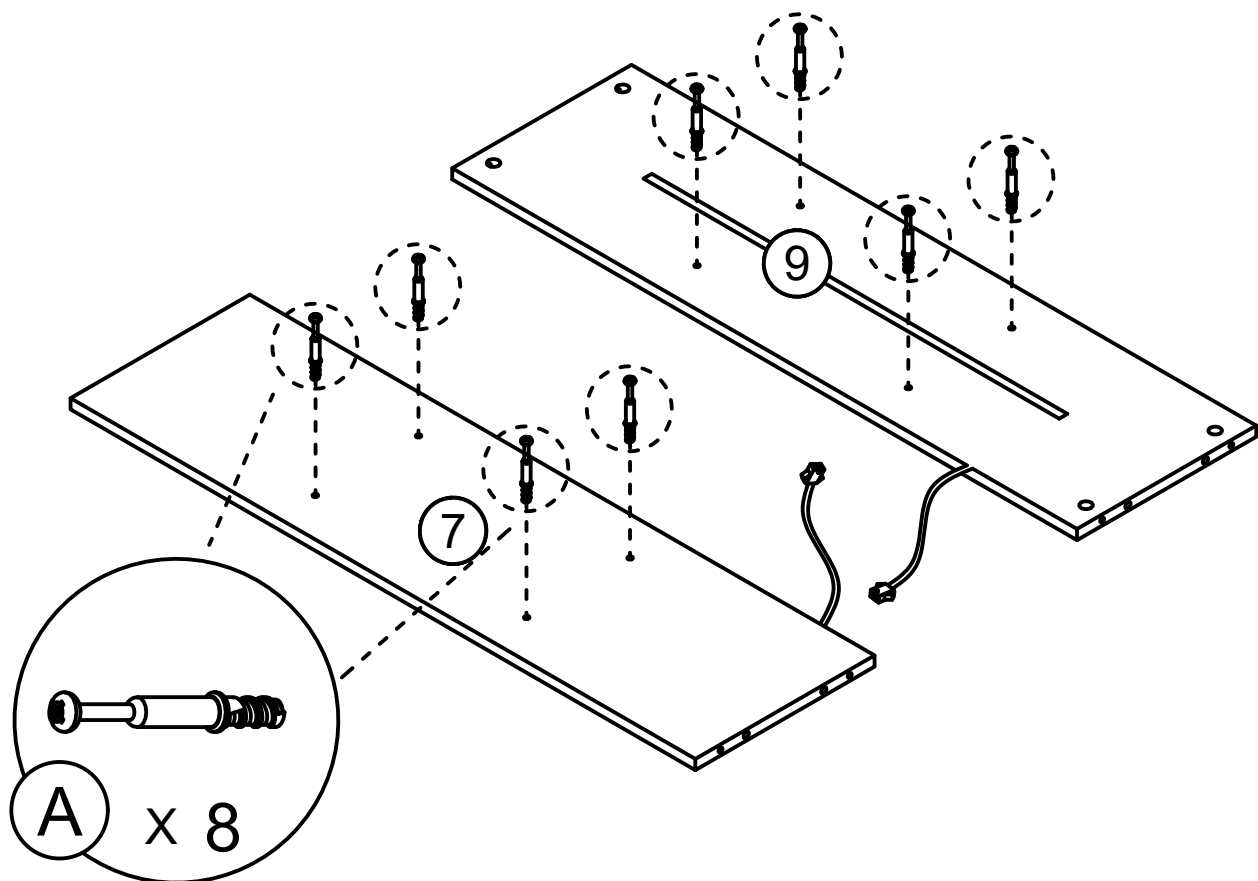
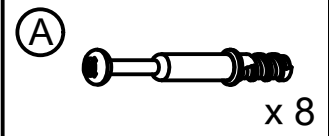
Step 8





Step 9

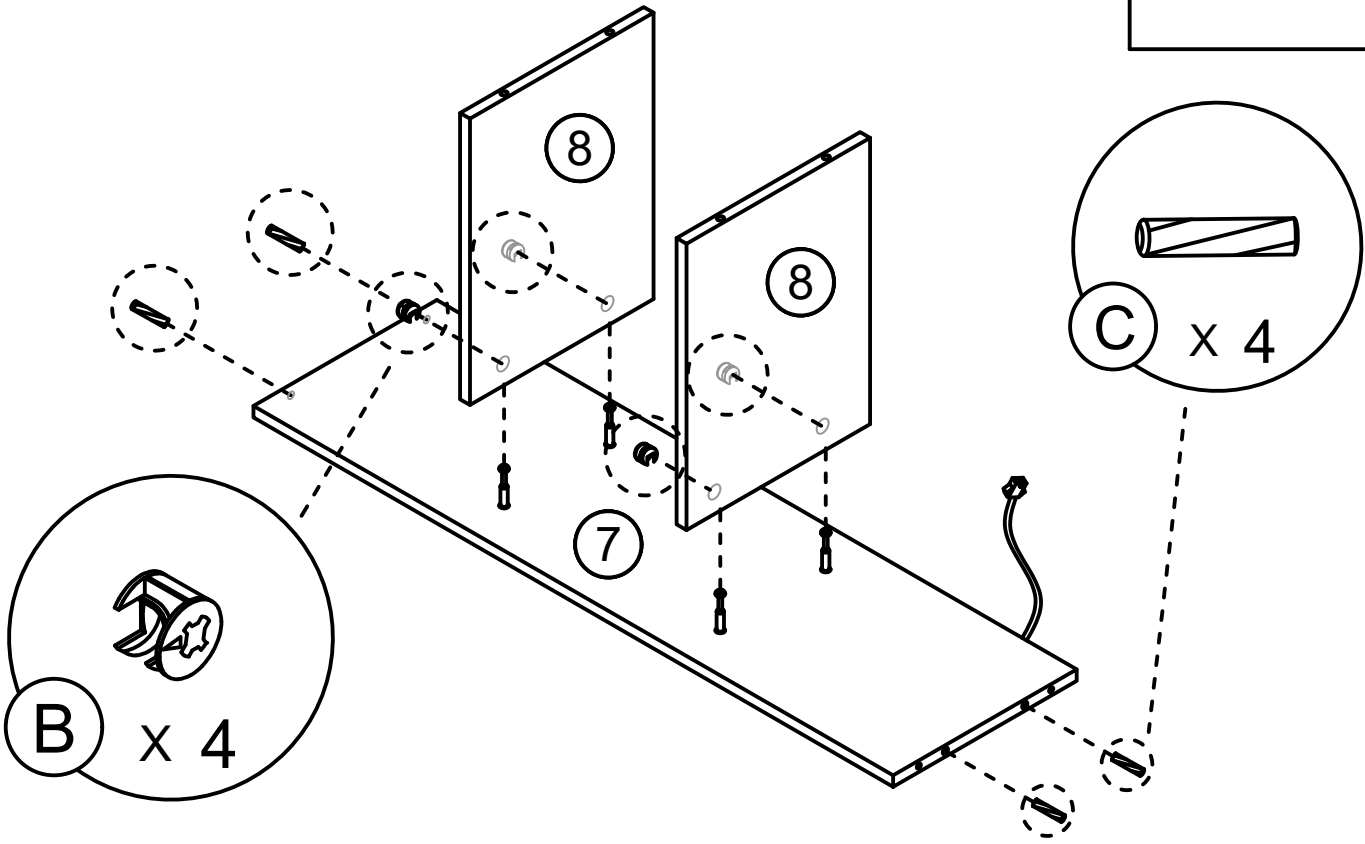


Step 10





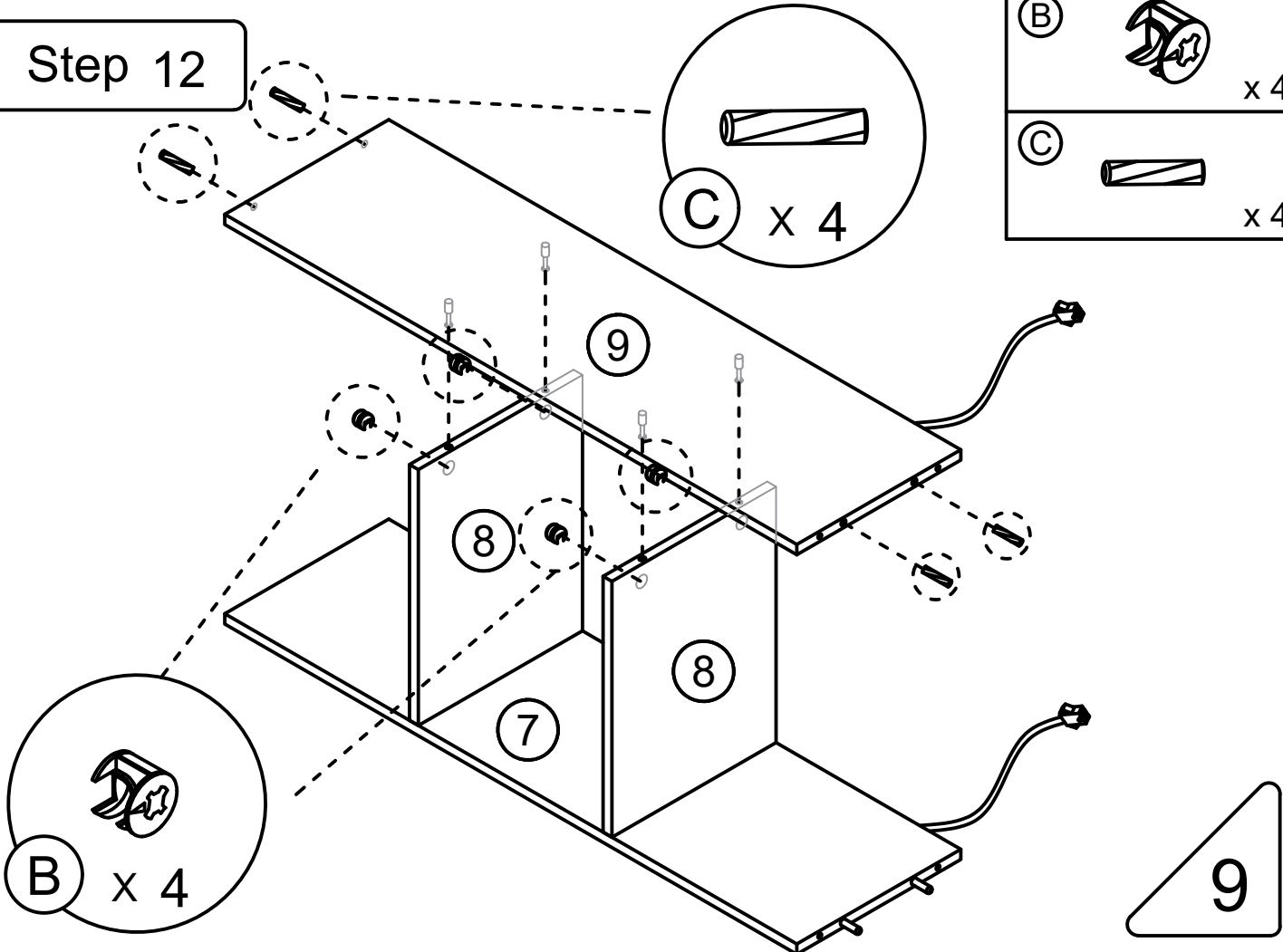
Step 11

- (B)  x 4
- (C)  x 4



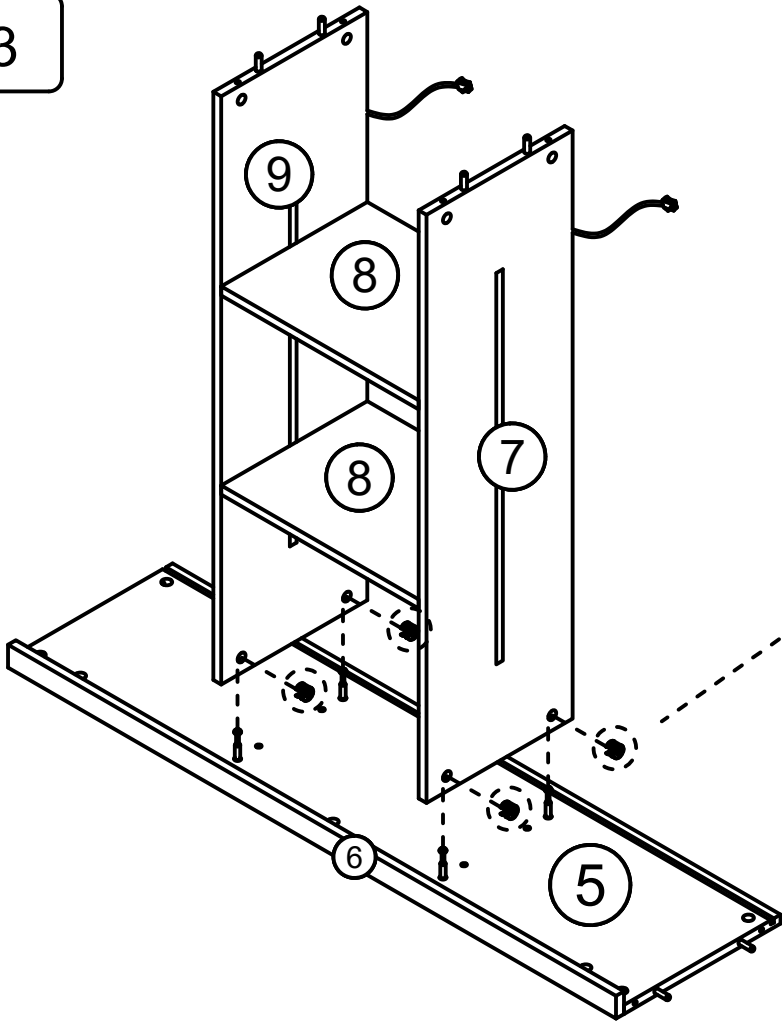
Step 12


- (B)  x 4
- (C)  x 4



Step 13

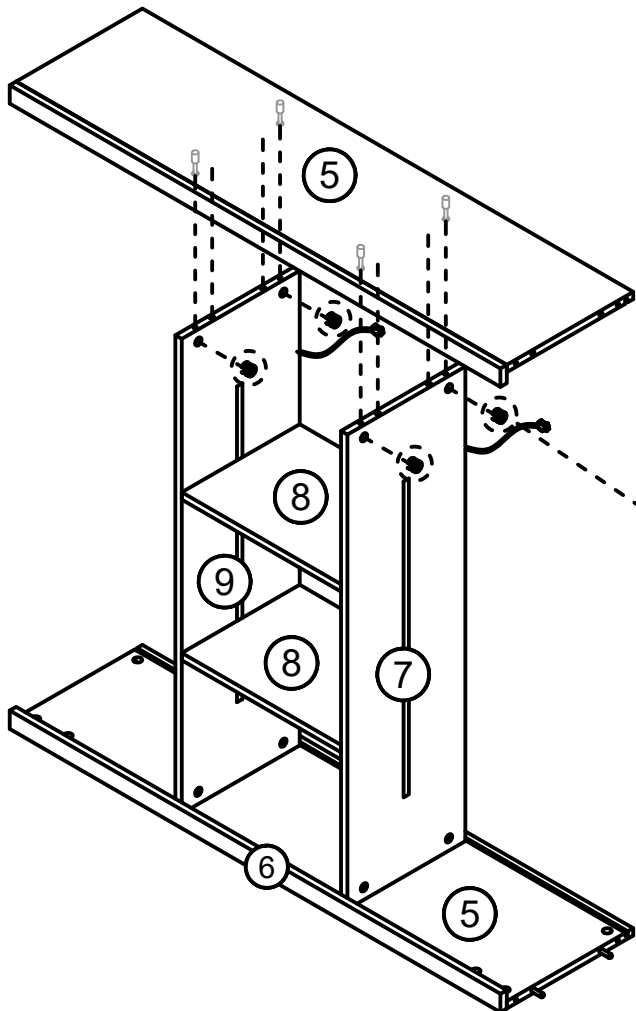
(B)  x 4




(B)  x 4

Step 14

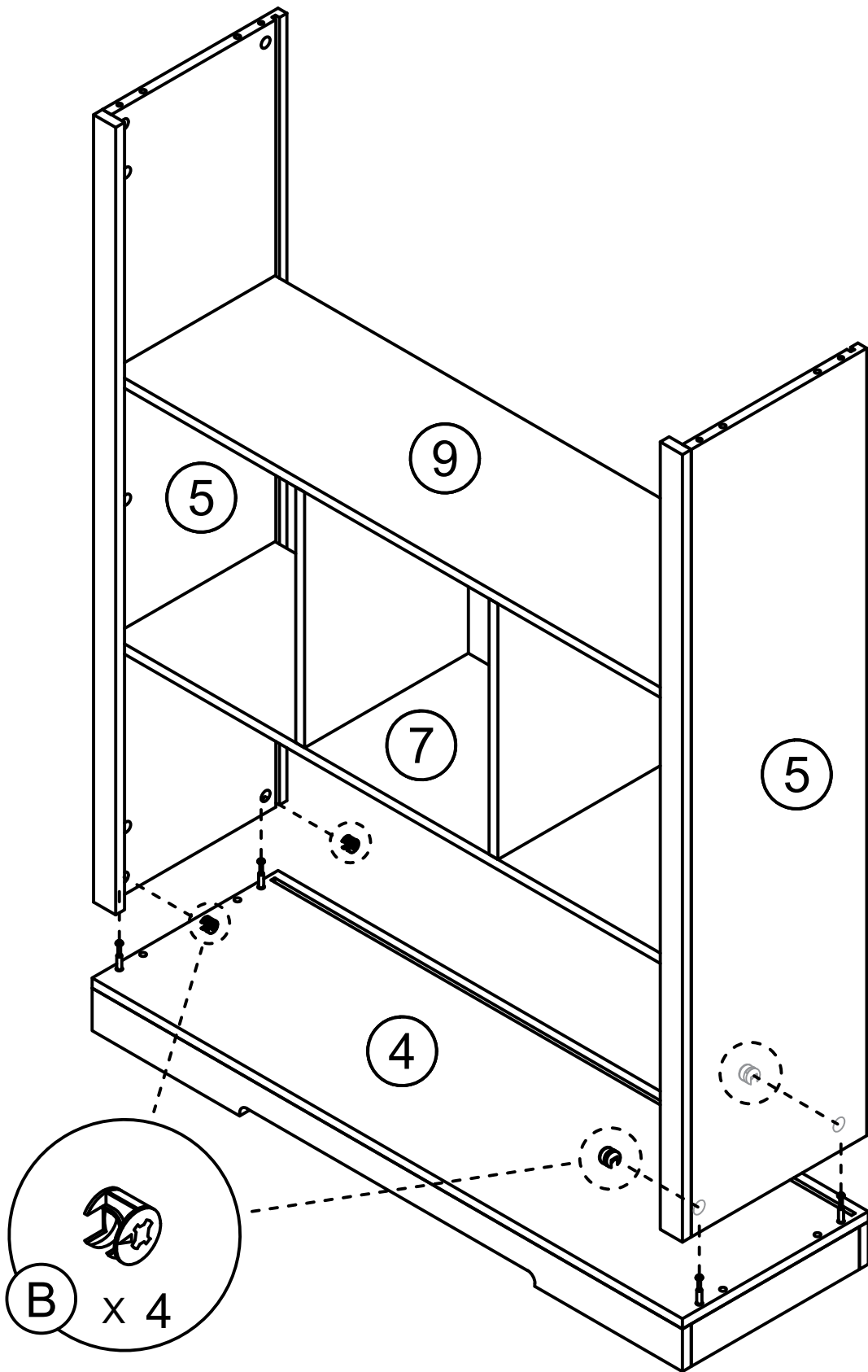
(B)  x 4



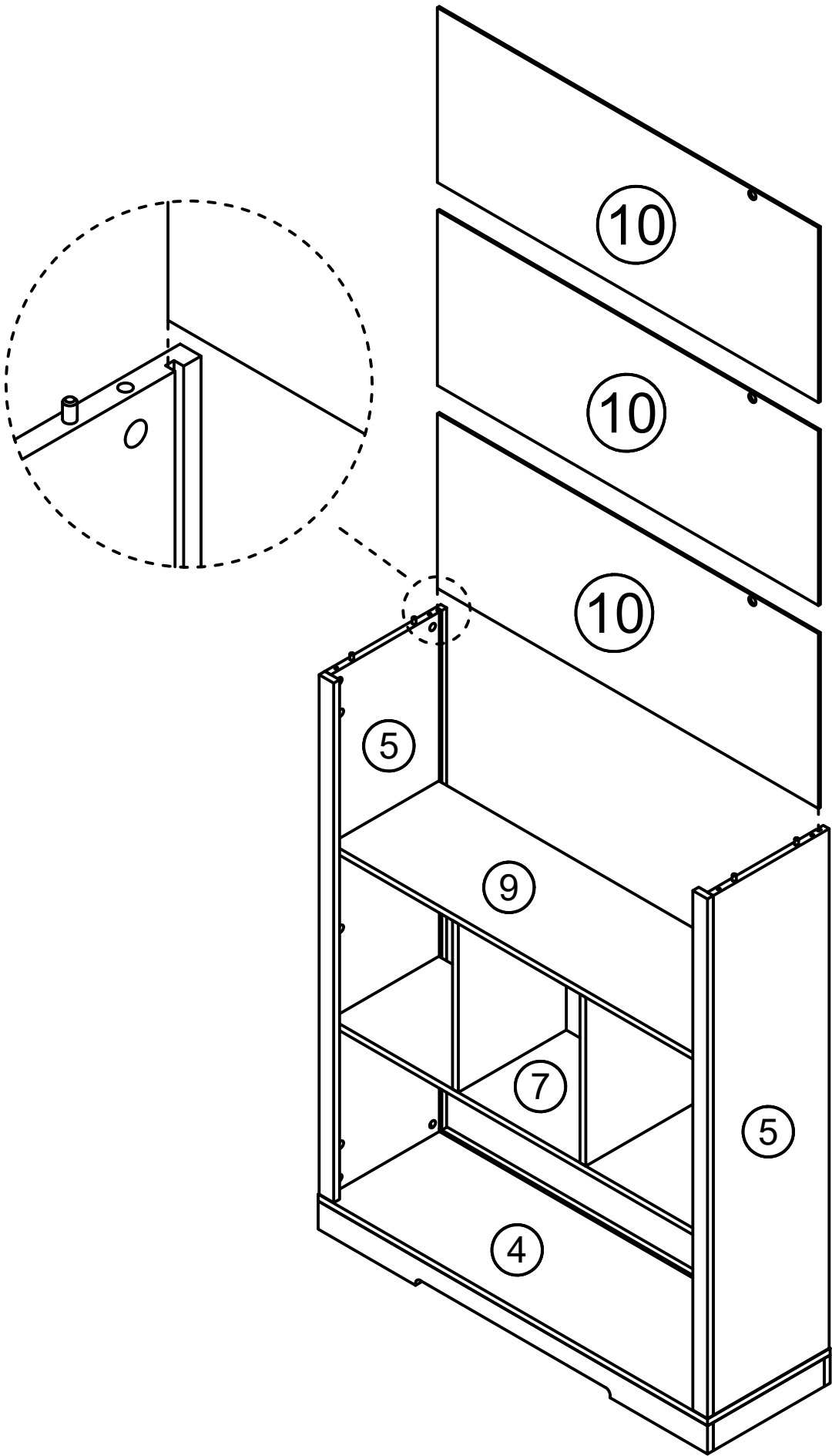
(B)  x 4

Step 15

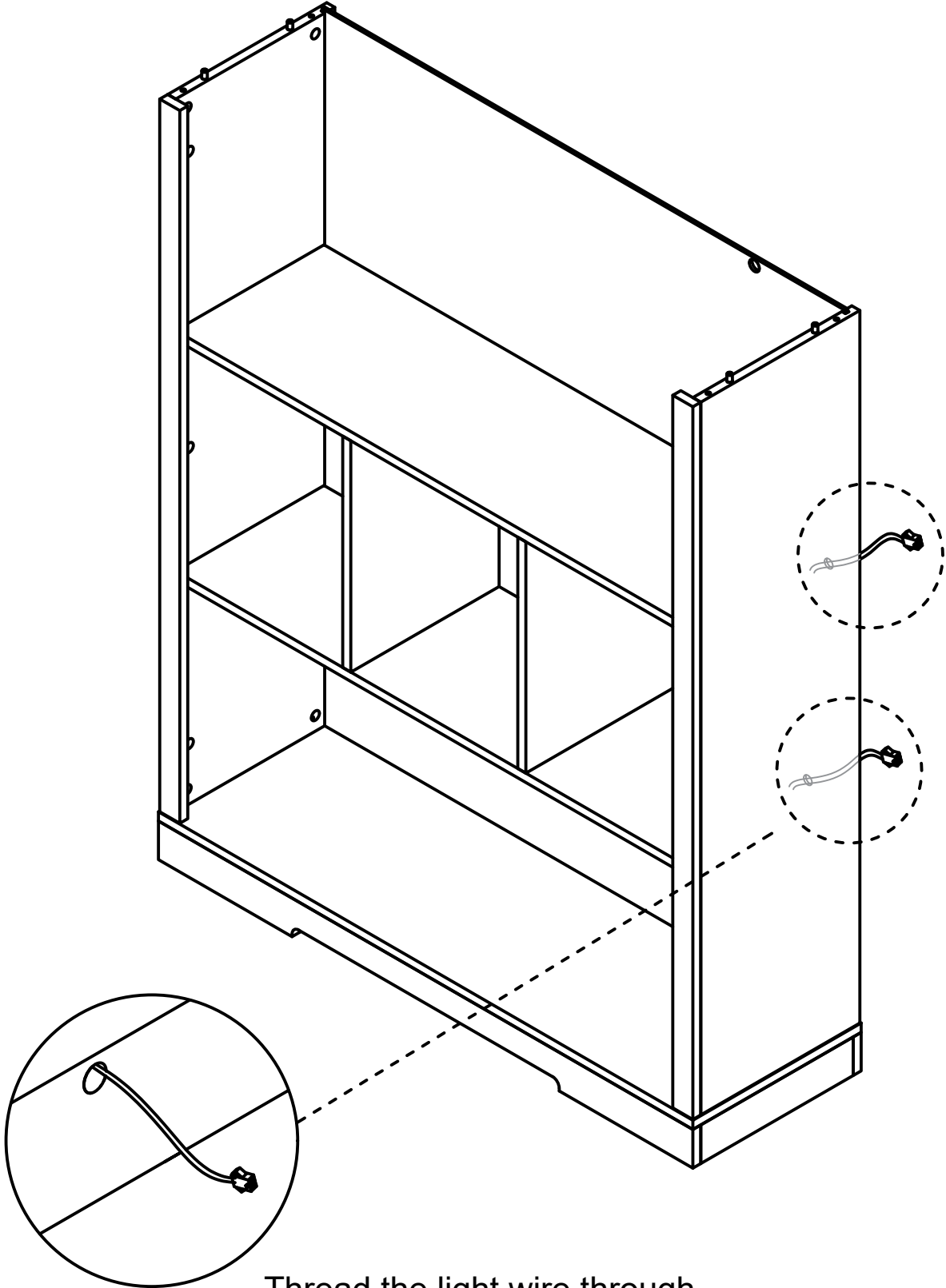
Ⓑ  x 4



Step 16

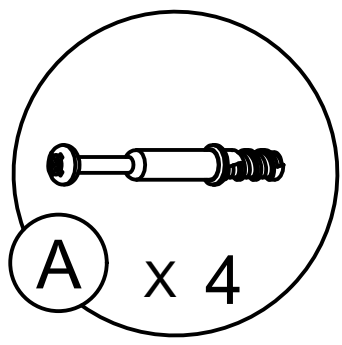
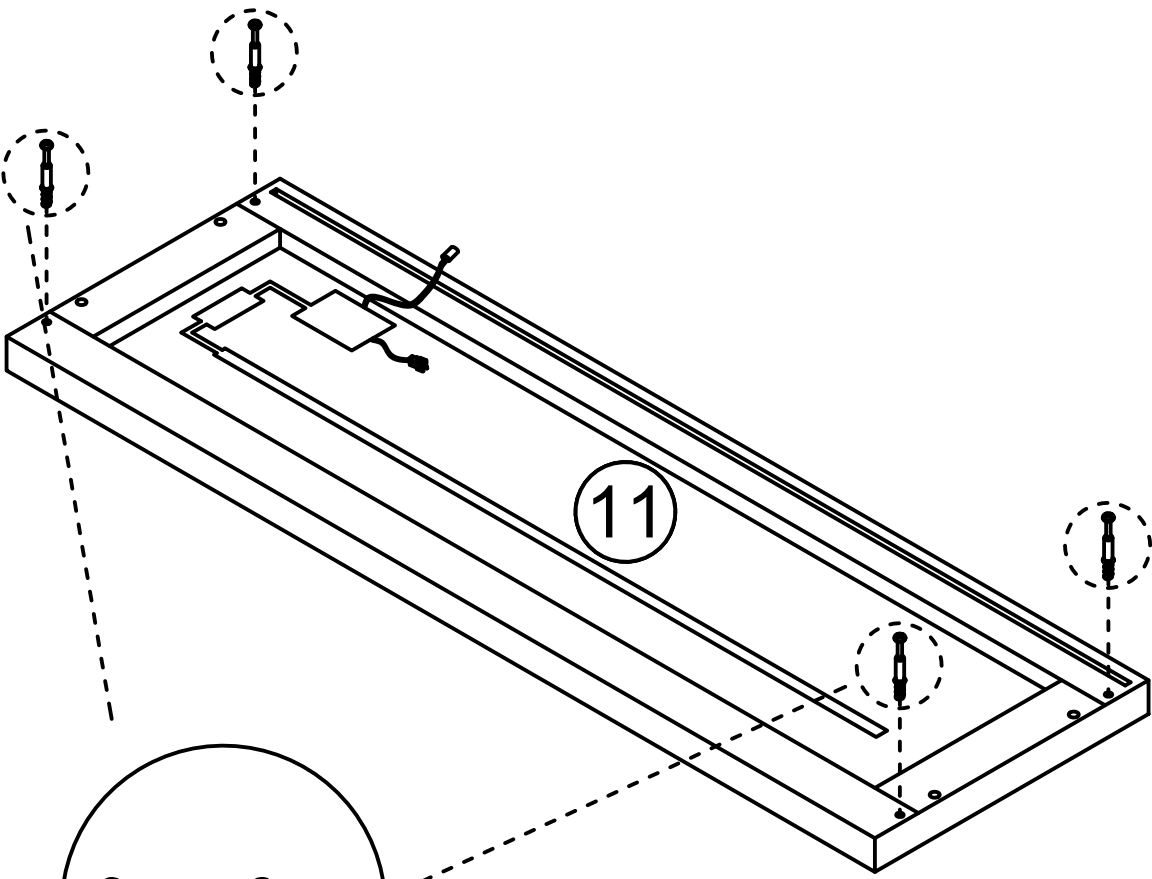
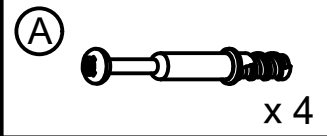


Step 17

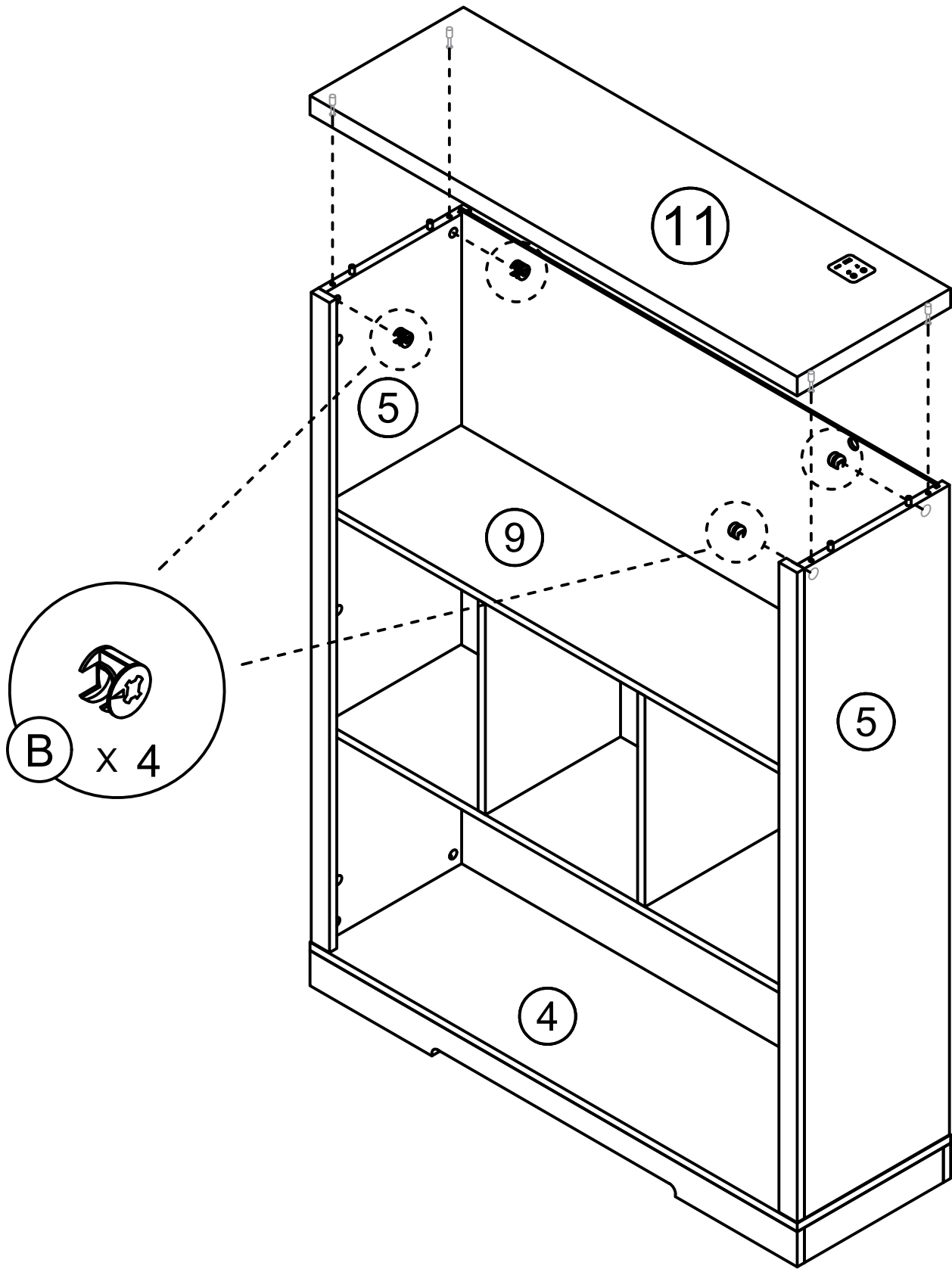


Thread the light wire through
the back panel hole

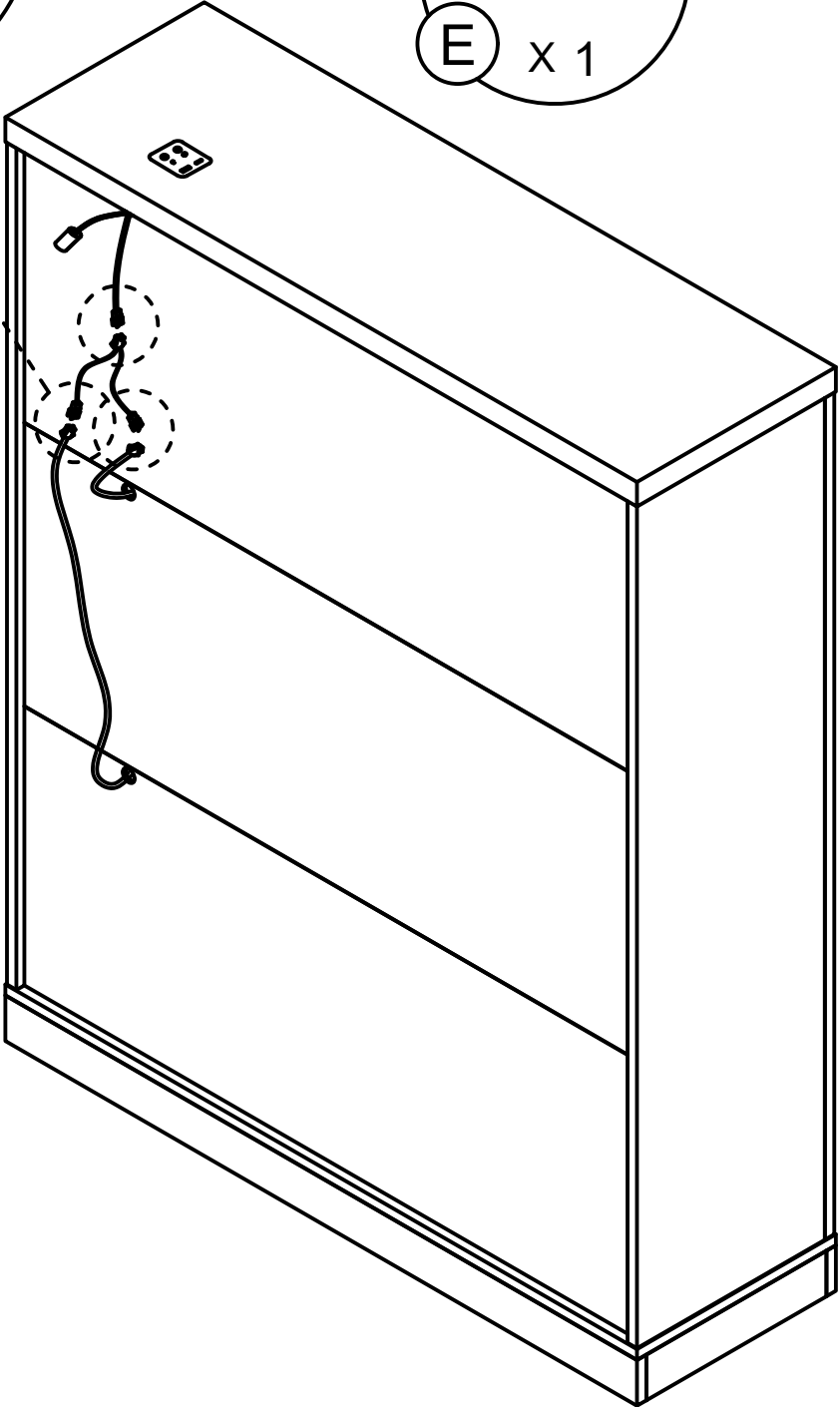
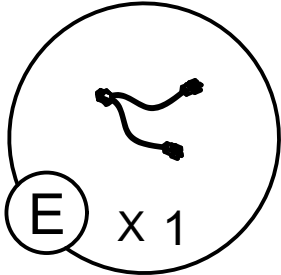
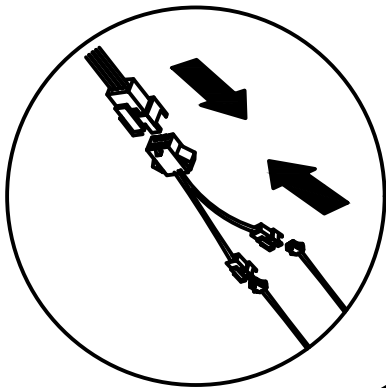
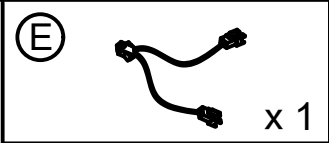
Step 18





Step 19





Step 20



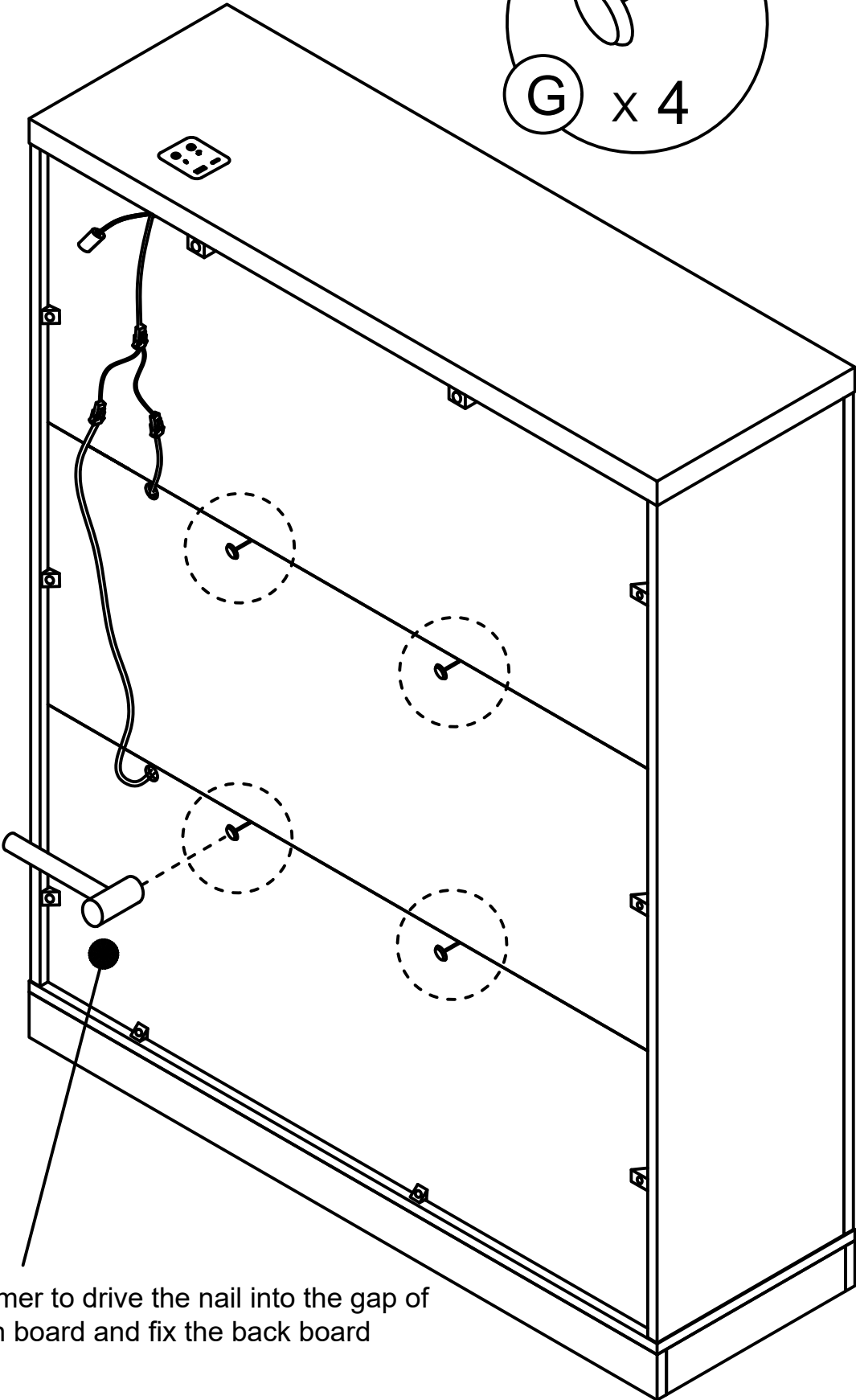
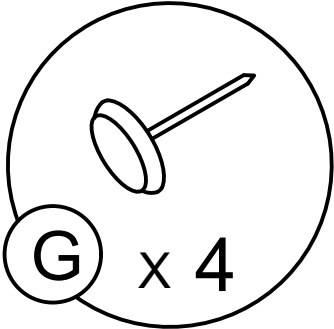
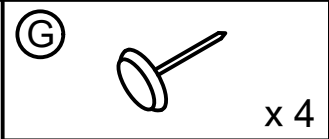
Step 21

(F)  x10  x10

(F)  x10  x10

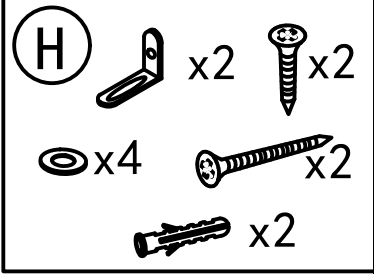
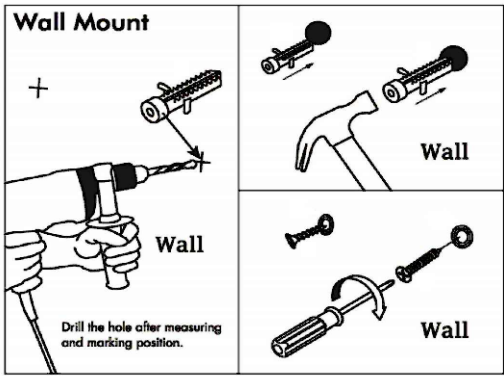
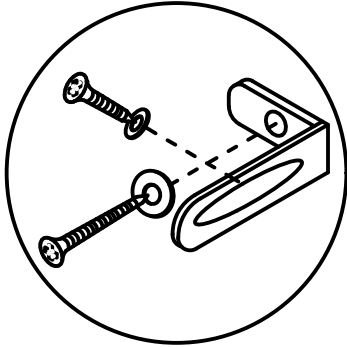


Step 22

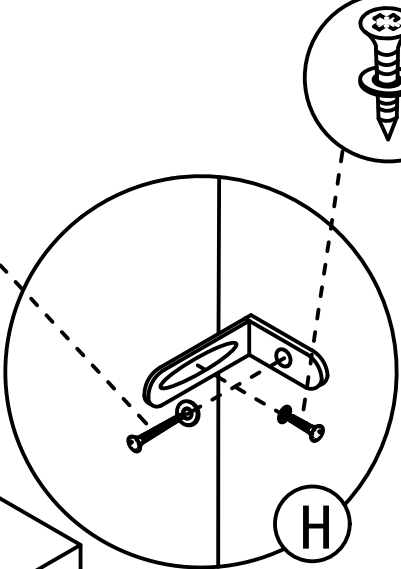
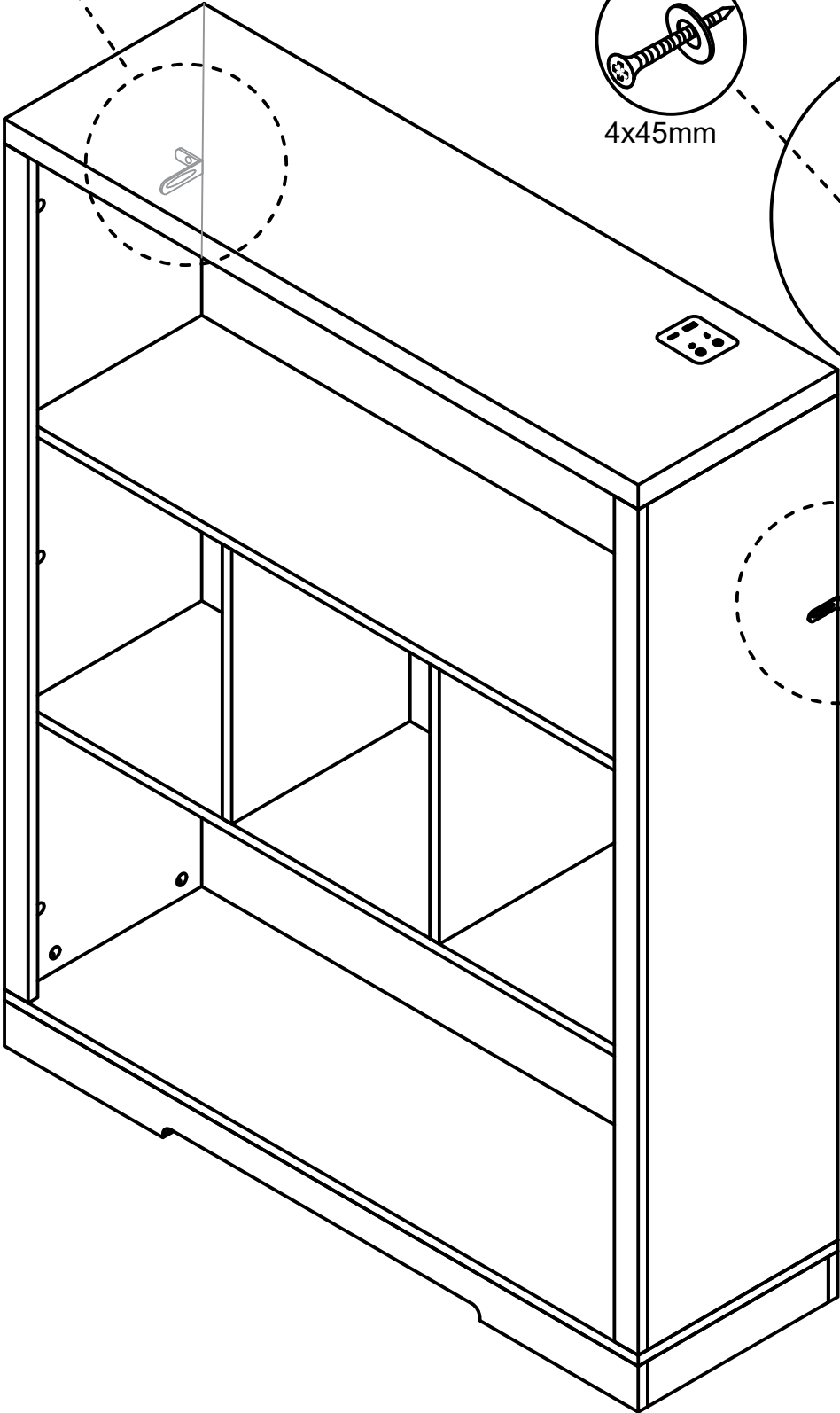


Use a hammer to drive the nail into the gap of the wooden board and fix the back board

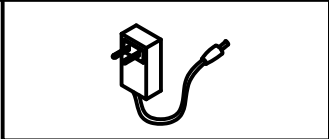
Step 23



Install as required



Step 24



wall

