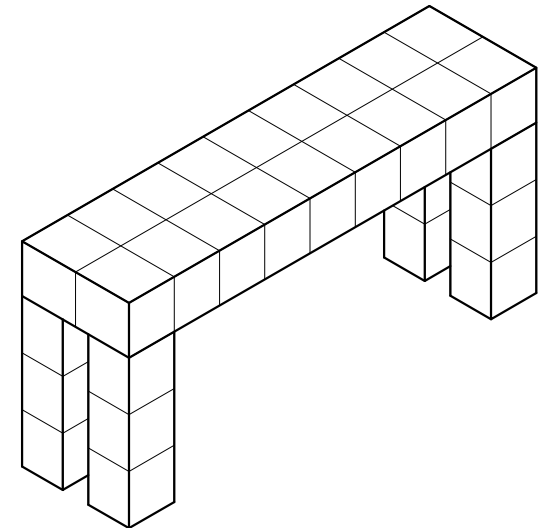


# BETHAROSE BURL WOOD CONSOLE TABLE

DESIGN# SFV2221

Assembly Instructions



**Need help?**

Feel free to contact us via email or call if you have any specific questions!

**contact us:**

cs@safavieh.com  
866-422-9070

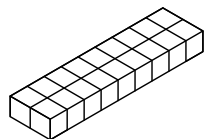
**SAFAVIEH**  
C O U T U R E

# Thanks for bringing Safavieh Couture into your home

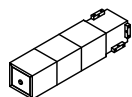
Everything we make is incredibly simple to set up, including your new console table. You won't need any additional tools.

## Parts List

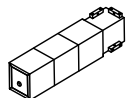
A X 1  
Top Table



B X 2  
Left Legs



C X 2  
Right Legs



## Hardware List

HW1 x 12  
Hex Socket Bolt  $\frac{1}{4}$ "-20 x 1- $\frac{1}{4}$ "



HW2 x 1  
Allen Key  $\frac{5}{32}$ "

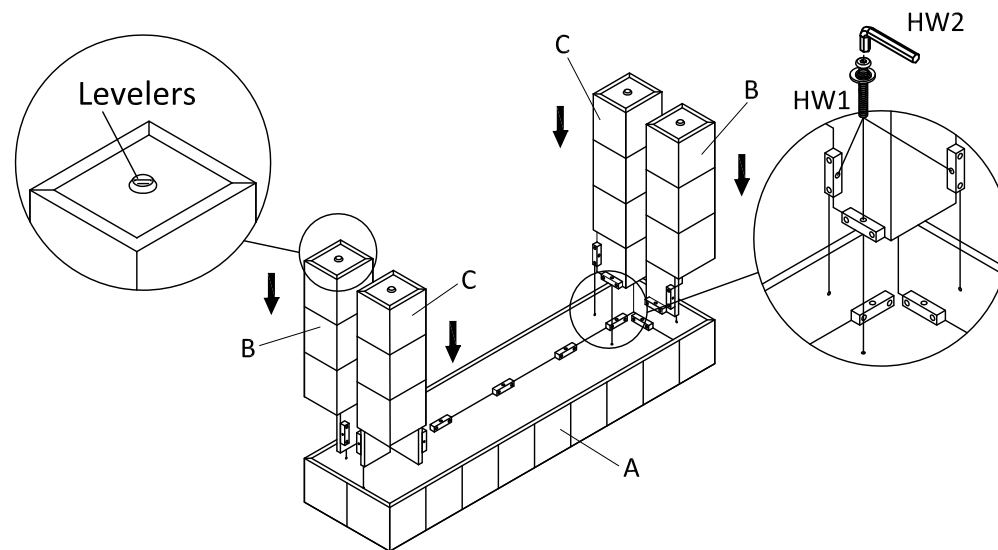


HW3 x 2  
Anti-Tip Hardware



1

Place the Table Top (A) upside down on a soft surface. Align the screw holes underneath the Table Top (A) to the screw holes on the top of the Legs (B & C). Use the Allen Key (HW2) to screw in the Hex Socket Bolts (HW1) to attach the Table Top (A) to the Legs (B & C) as shown below.



2

Turn the console table upright. Place the console table in the place where you will use it. Follow the installation instructions of the Anti-Tip Hardware (HW3) to attach the product to the wall. Adjust the levelers on the bottom of the legs as needed to make the console table level. We'd love to see it - just tag us (were @safavieh) and use the hashtag #safavieh on Instagram!

