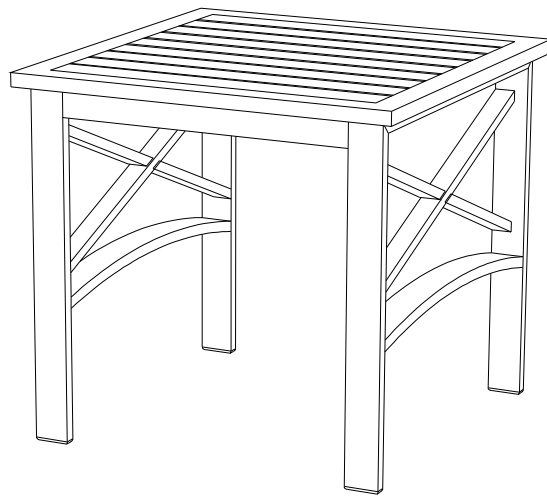
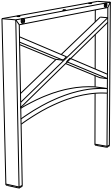
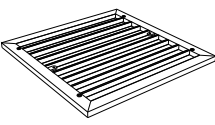
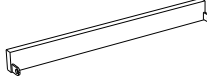


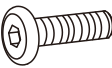
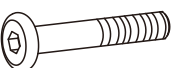


Outdoor Side Table



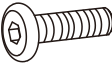
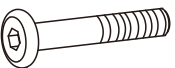

PART LIST

A 	B 	C 
Side Panel 2 PCS	Top Panel 1 PC	Rail 2 PCS

HARDWARE LIST

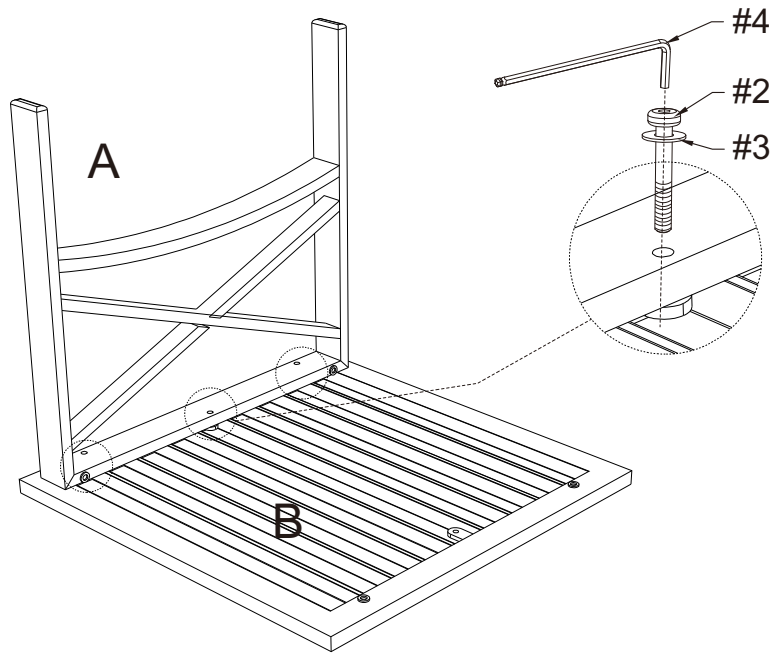
#1 	#2 	#3 	#4 
M6*15mm Short Bolt 4 PCS	M6*30mm Long Bolt 6 PCS	M6*45mm Flat Washer 10 PCS	M6 Allen Wrench 1 PC




EXTRA HARDWARE LIST

#1 	#2 	#3 
M6*15mm Short Bolt 1 PC	M6*30mm Long Bolt 1 PC	M6*45mm Flat Washer 1 PC

Step 1. Lay top panel (part B) down on a soft flat surface, such as carpet, as shown below. Attach side panel (part A) to top panel (part B) using long bolts (part #2), flat washers (part #3) and allen wrench (part #4).

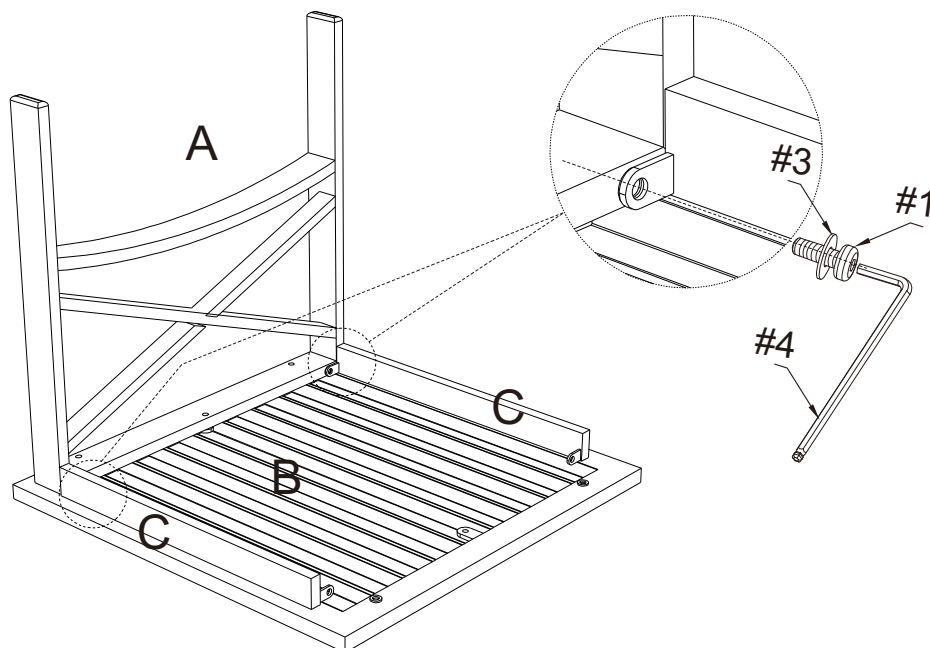
NOTE: Please do not fully tighten bolts until unit is fully assembled.






#2		x3
#3		x3
#4		x1

Step 2. Attach rails (part C) to side panel (part A) using short bolts (part #1), flat washers (part #3) and allen wrench (part #4).

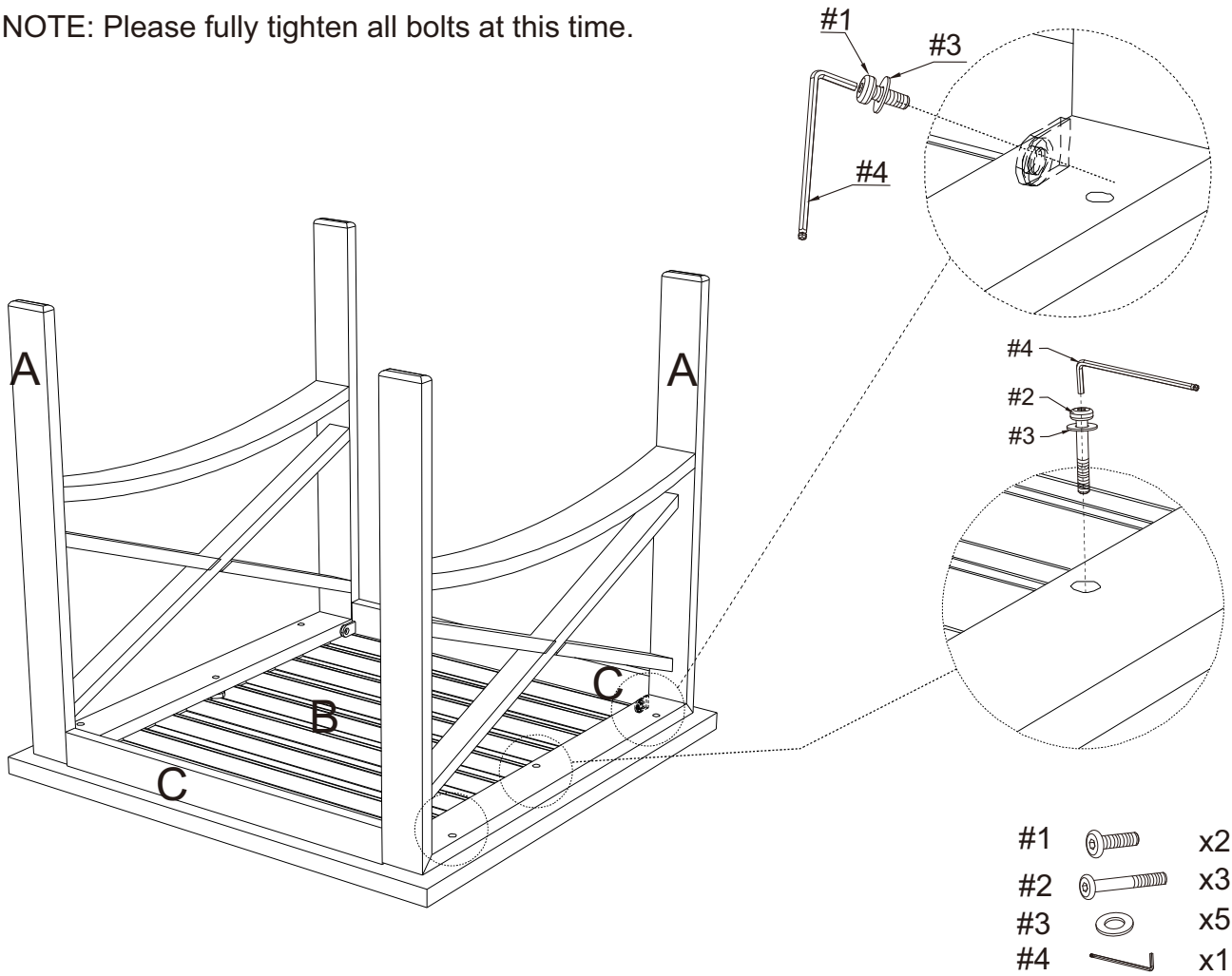
NOTE: Please do not fully tighten bolts until unit is fully assembled.



#1		x2
#3		x2
#4		x1

Step 3. Attach side panel (part A) to top panel (part B) and rails (part C) using short bolts (part #1), long bolts (part #2), flat washers (part #3) and allen wrench (part #4).

NOTE: Please fully tighten all bolts at this time.



Step 4. Carefully turn unit upright.

