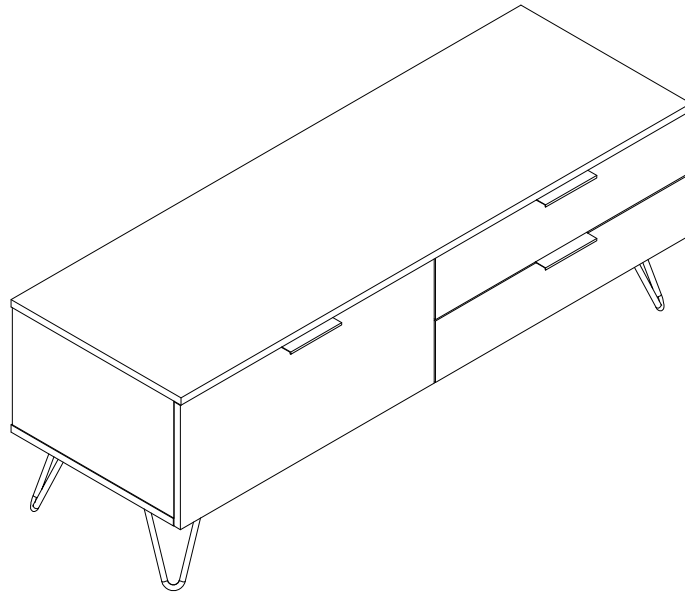
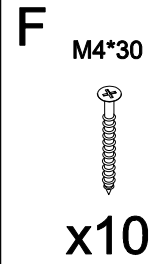
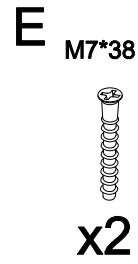
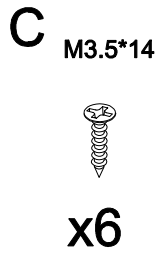
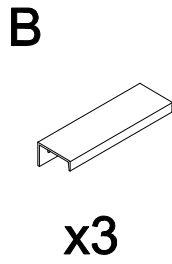
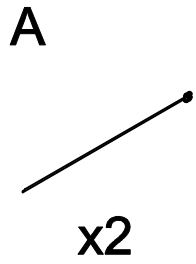
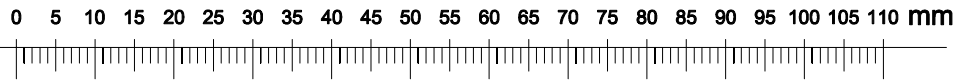


ASSEMBLY INSTRUCTION

FISSO CLICK SMALL TV UNIT



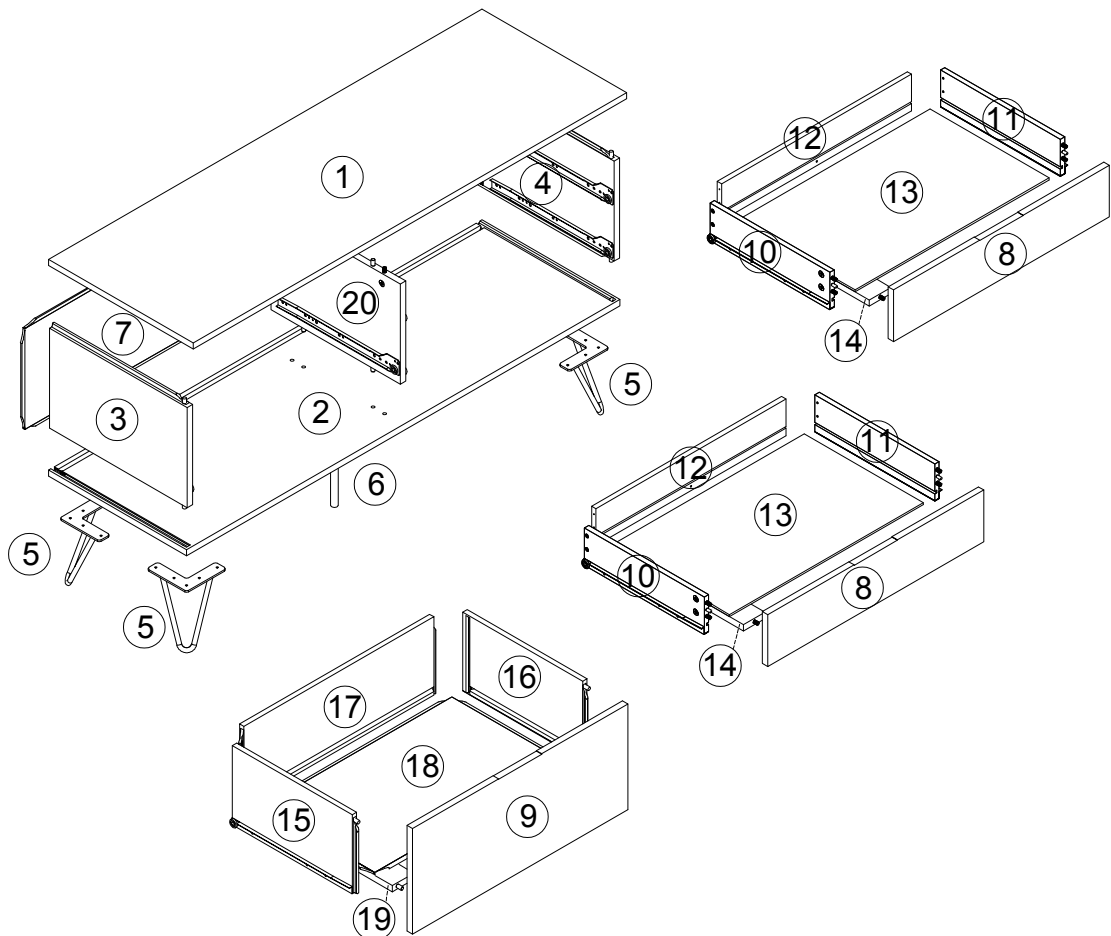
HARDWARE



Tools Required-Not Supplied



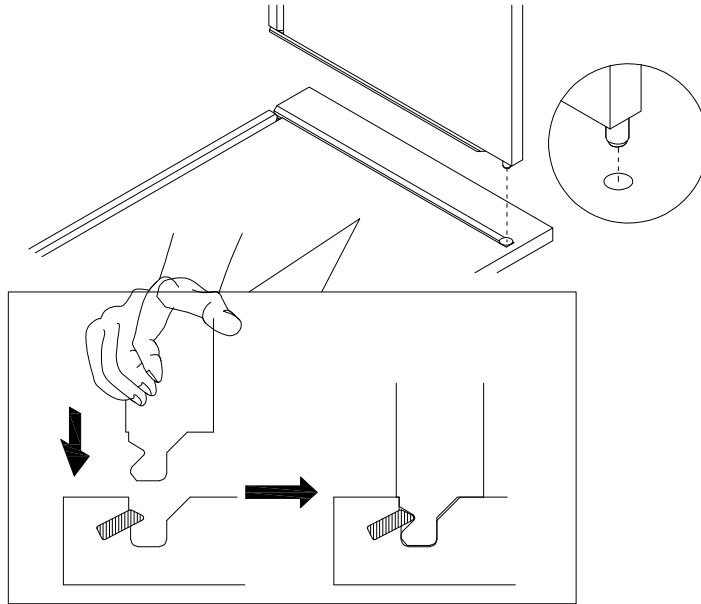
PARTS



GUIDE

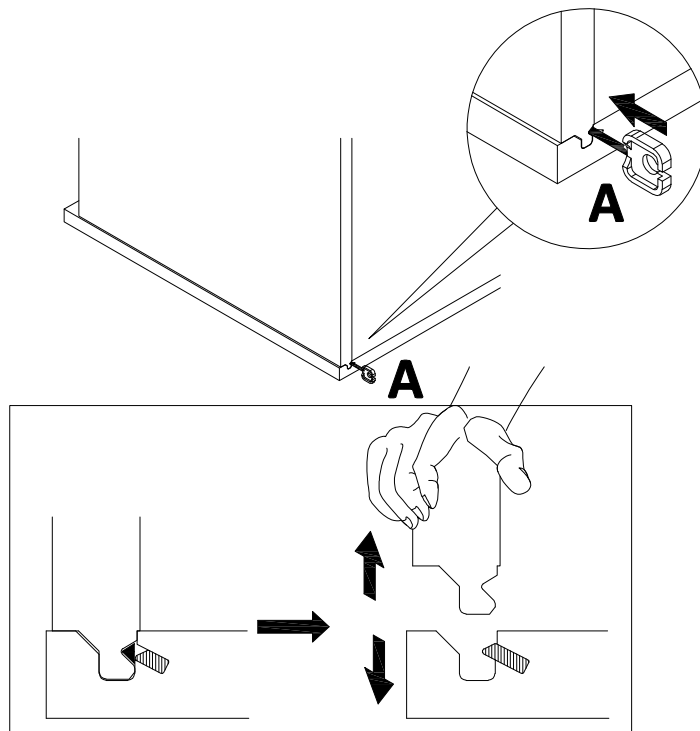
Assembly Instructions

Ensure dowel is aligned with hole before pushing panel into groove

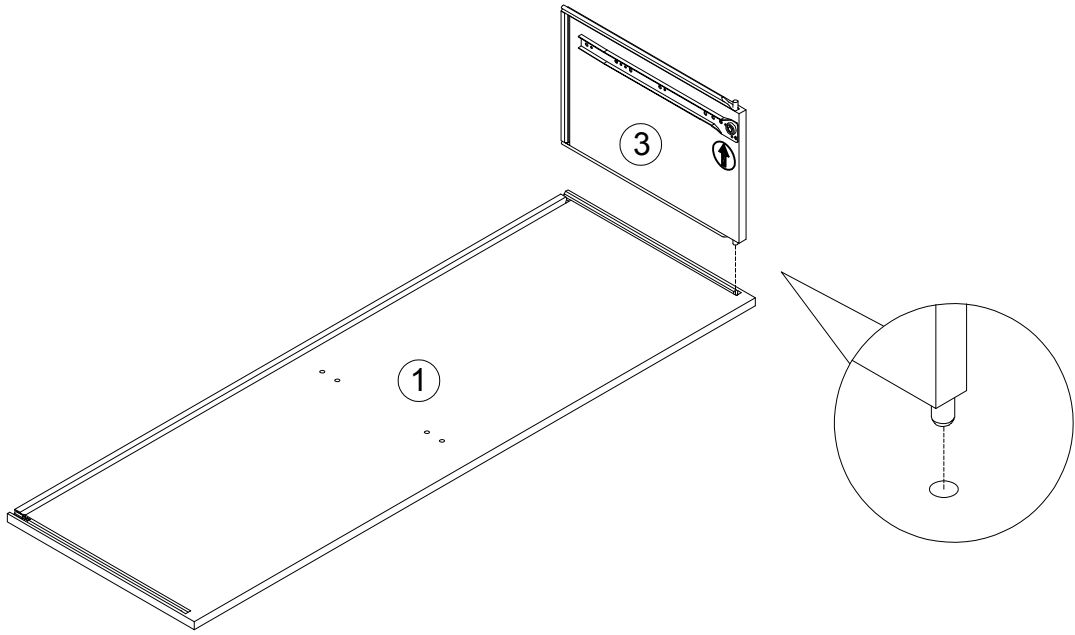


Disassembly Instructions

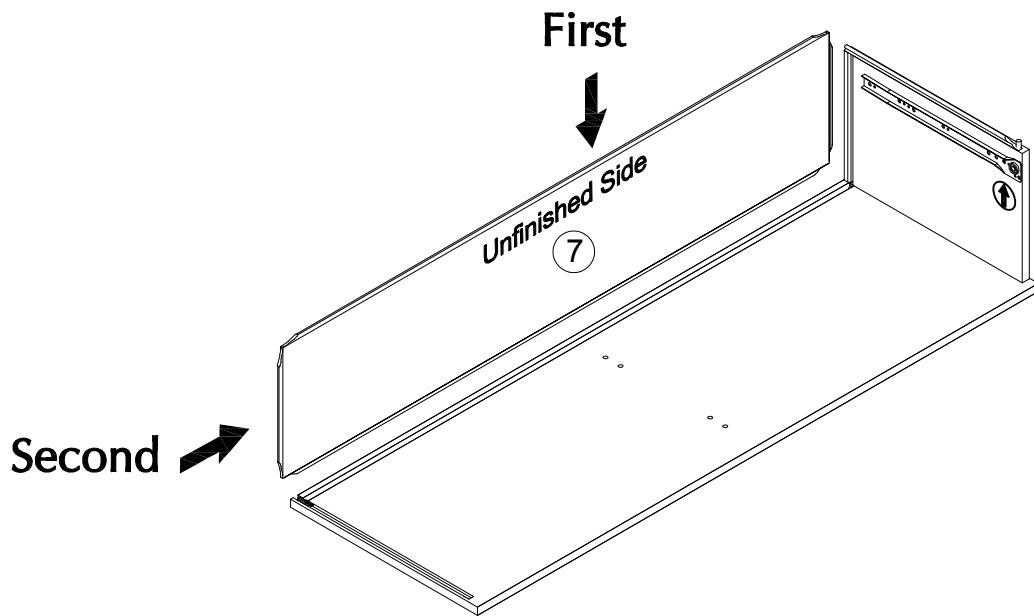
Use Disassemble rod 'A' and gently slide in to the small triangle as shown. Pull or tap the panel to make it loose to disconnect



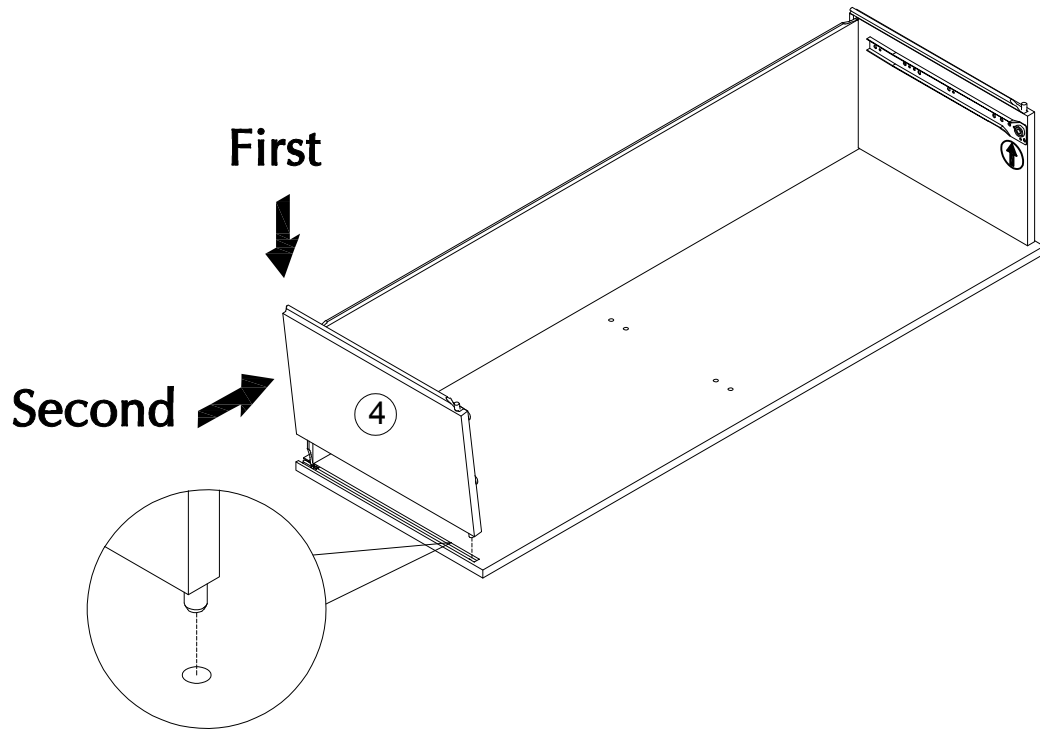
1



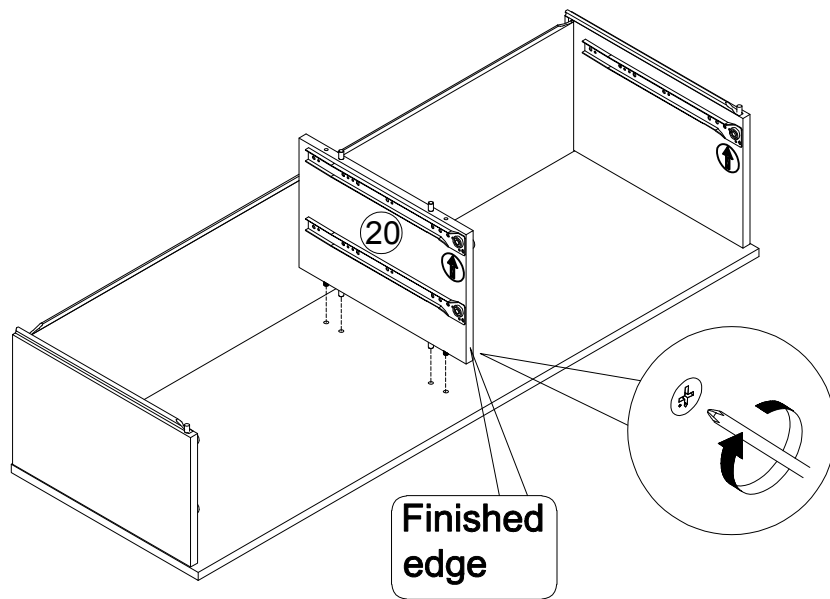
2



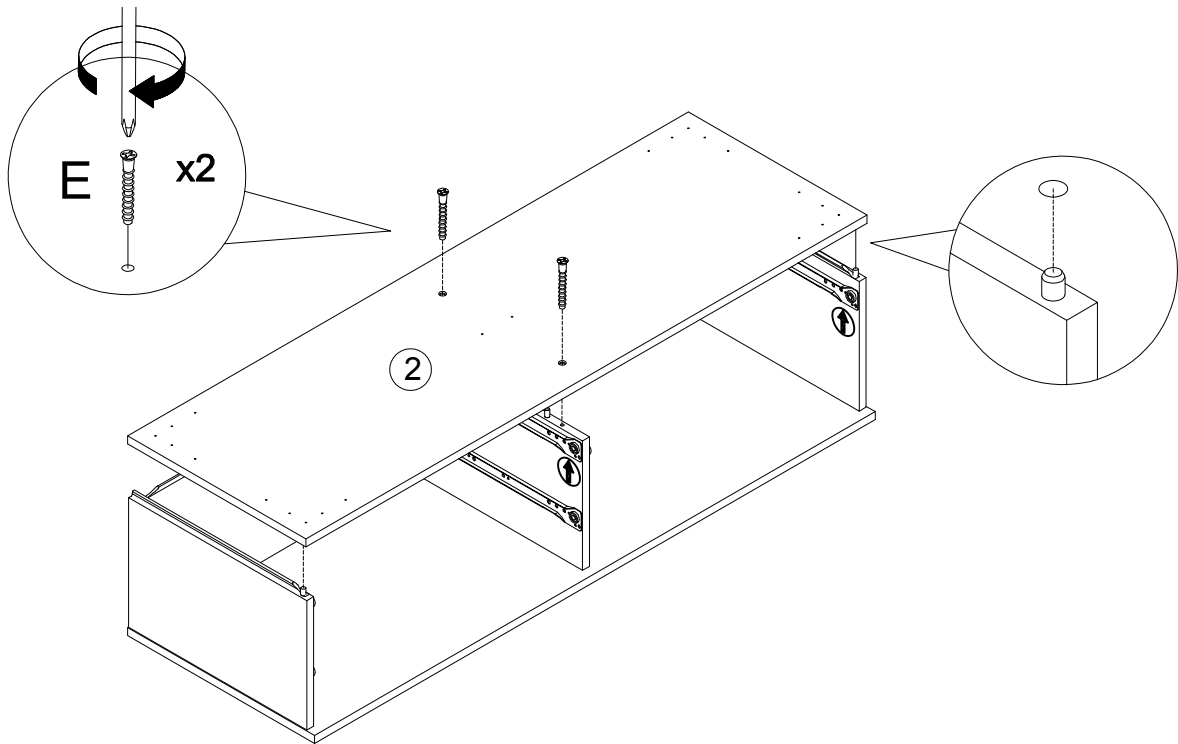
3



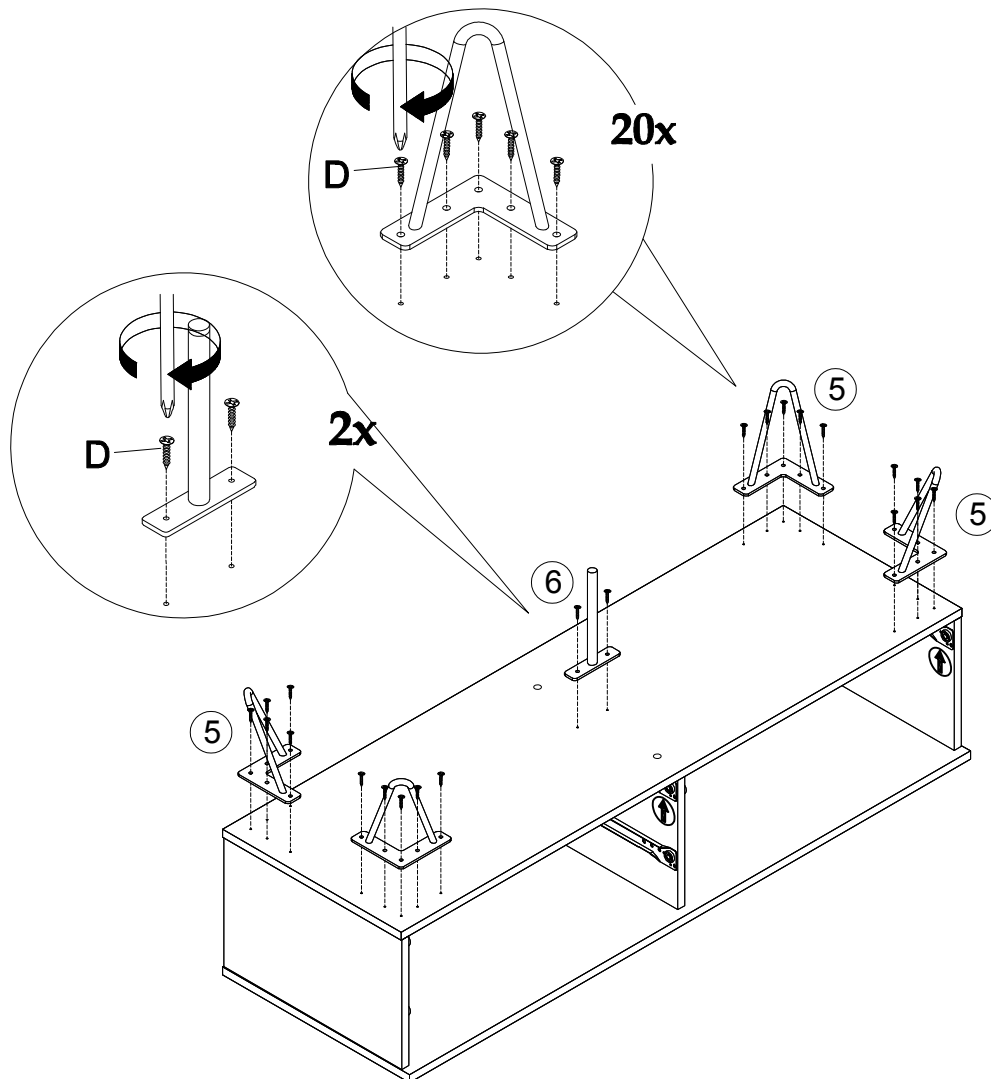
4



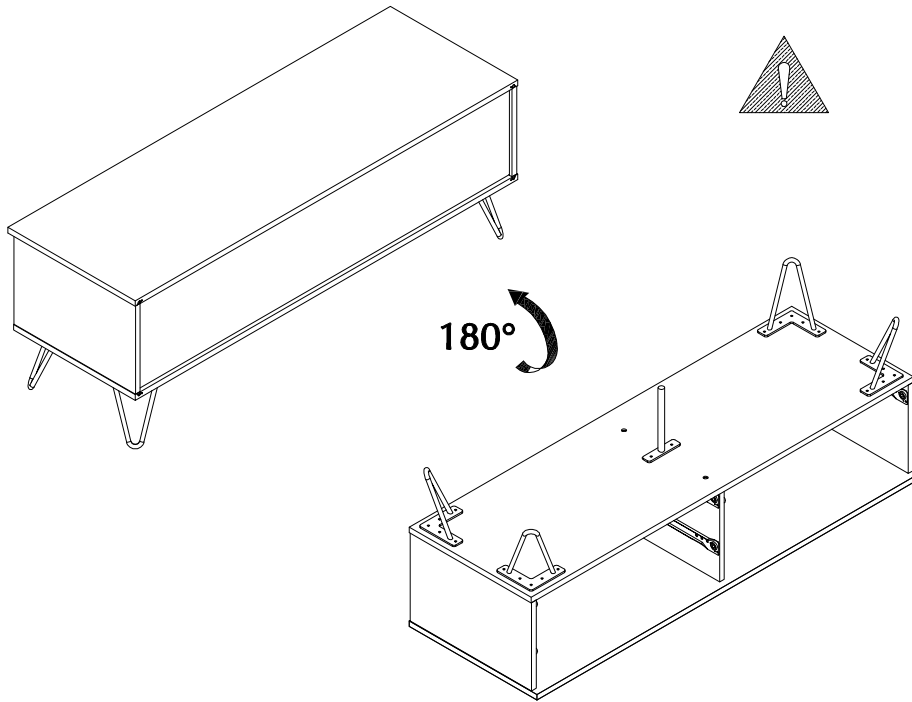
5



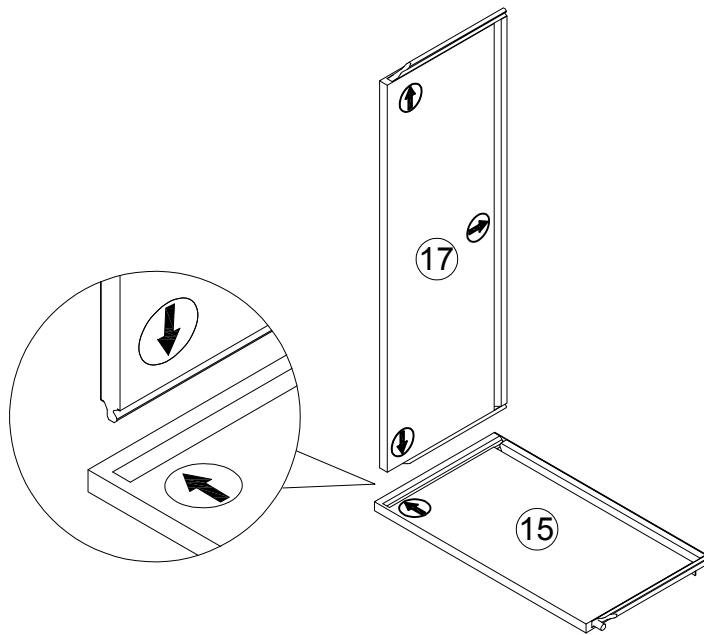
6



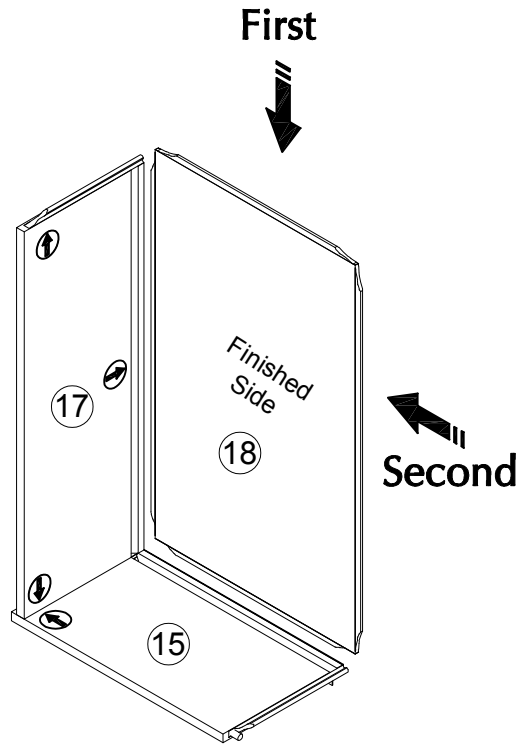
7



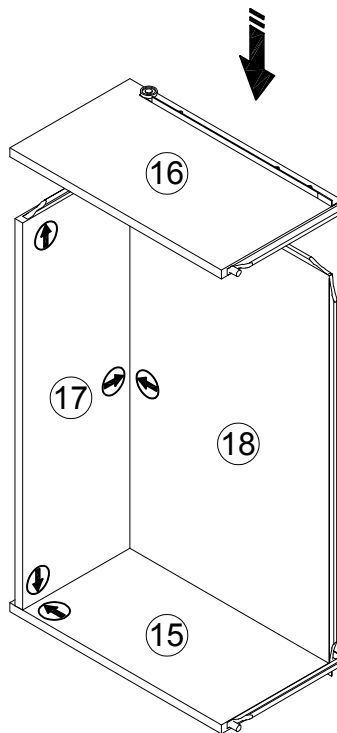
8



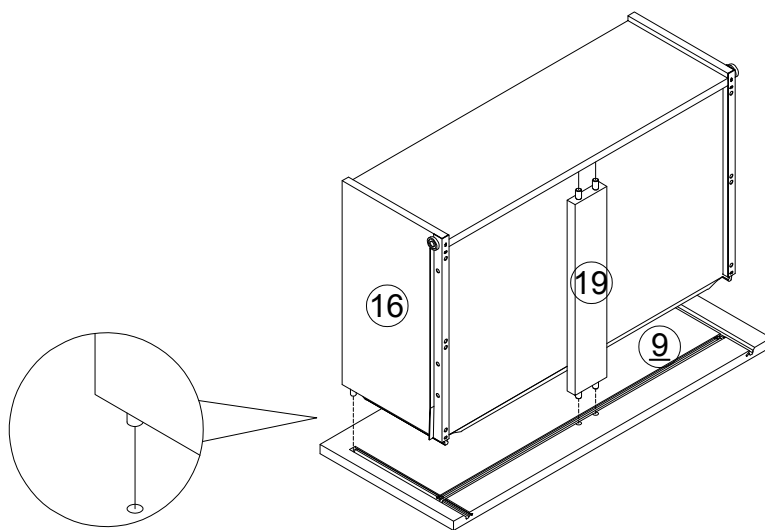
9



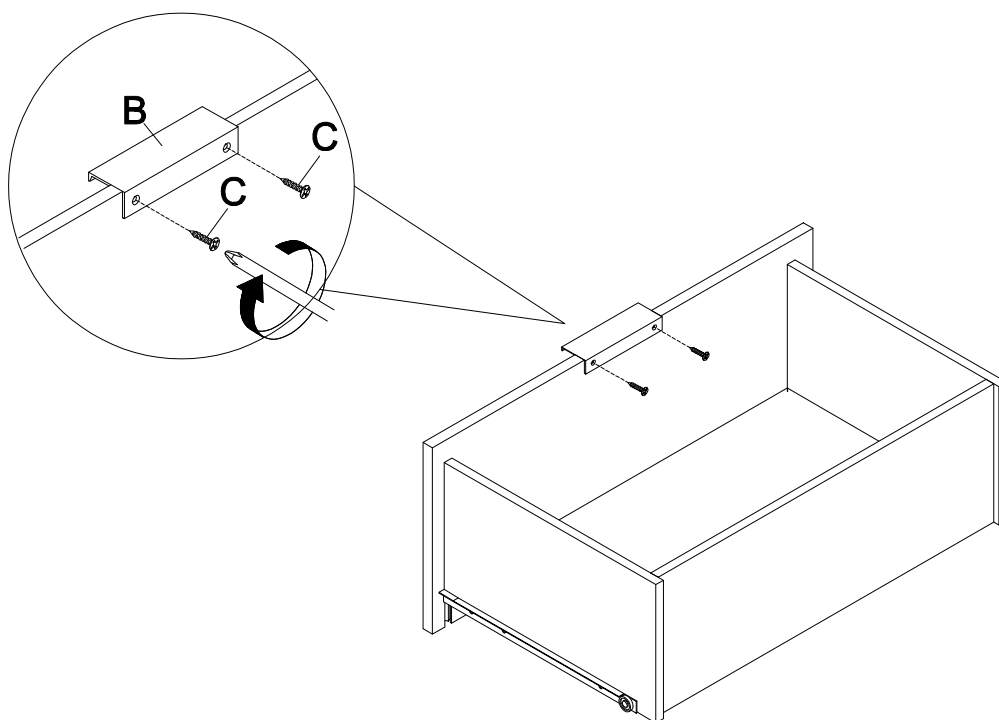
10



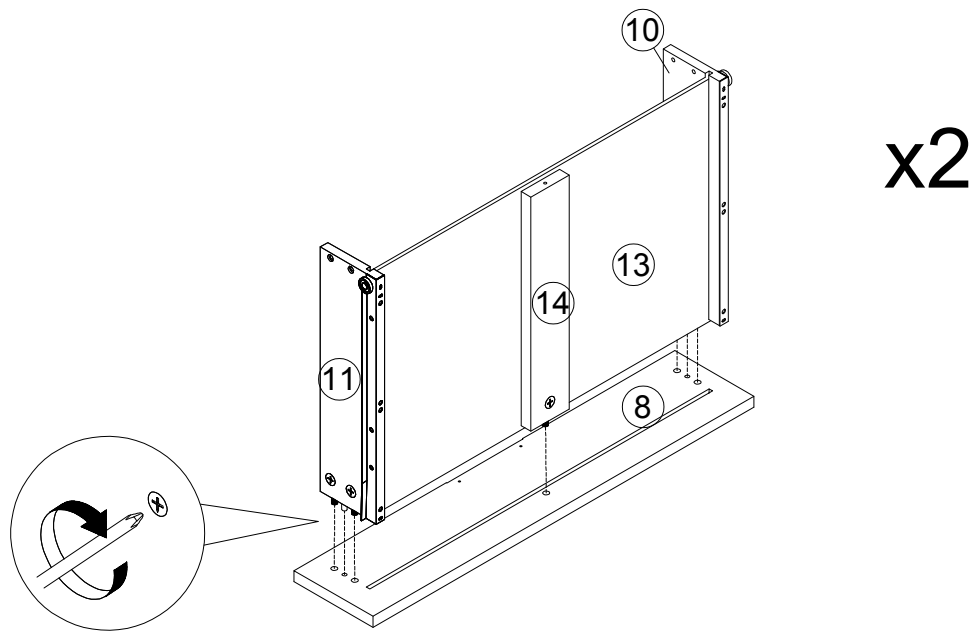
11



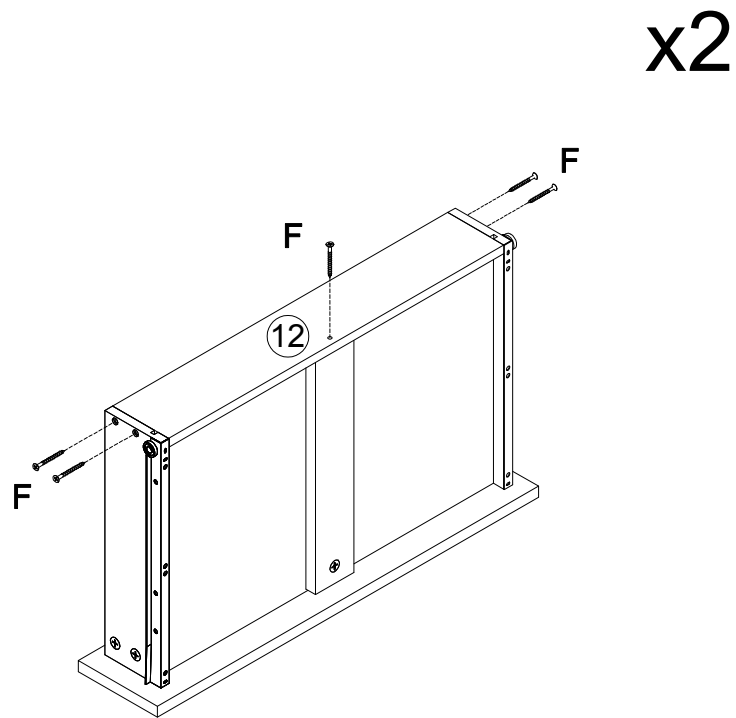
12



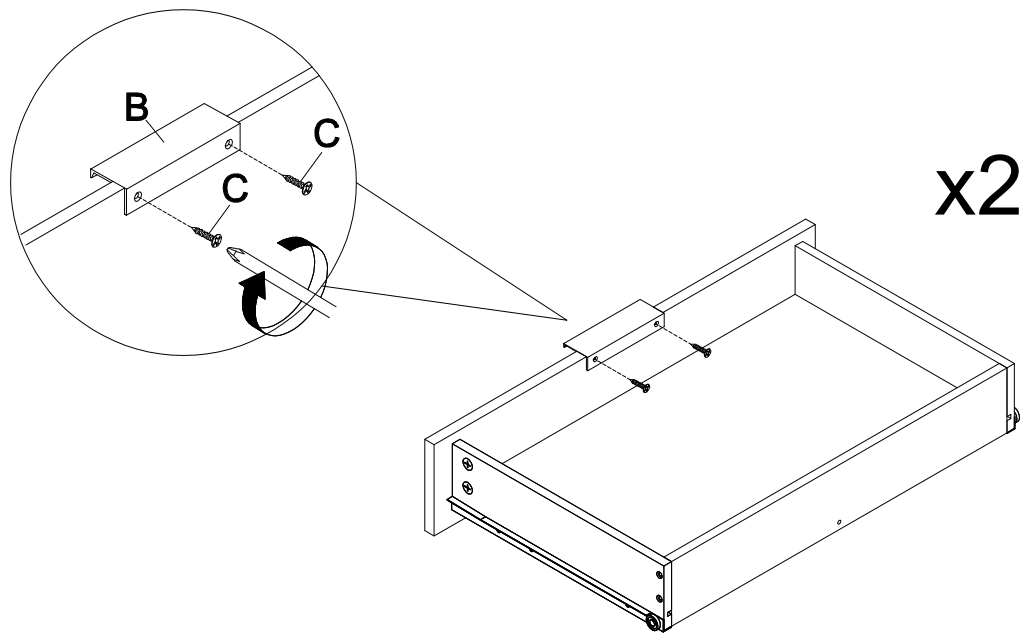
13



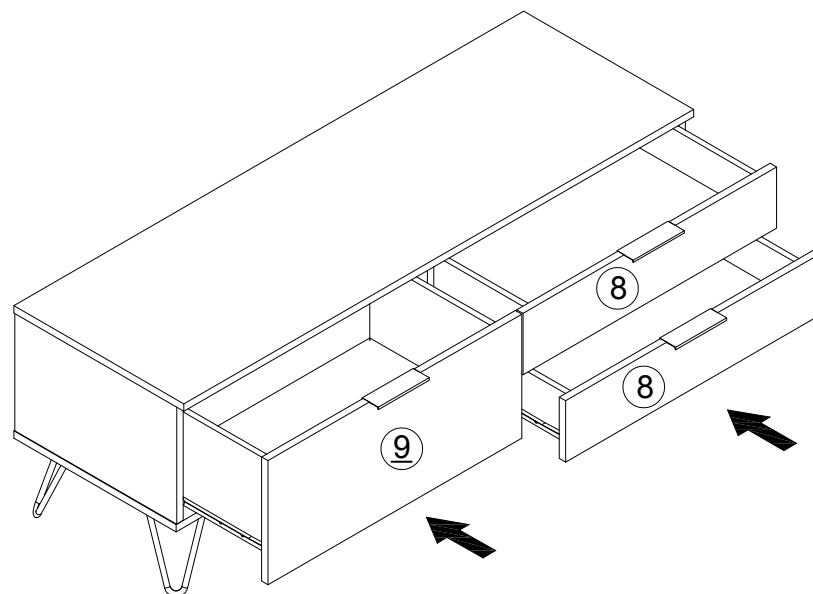
14



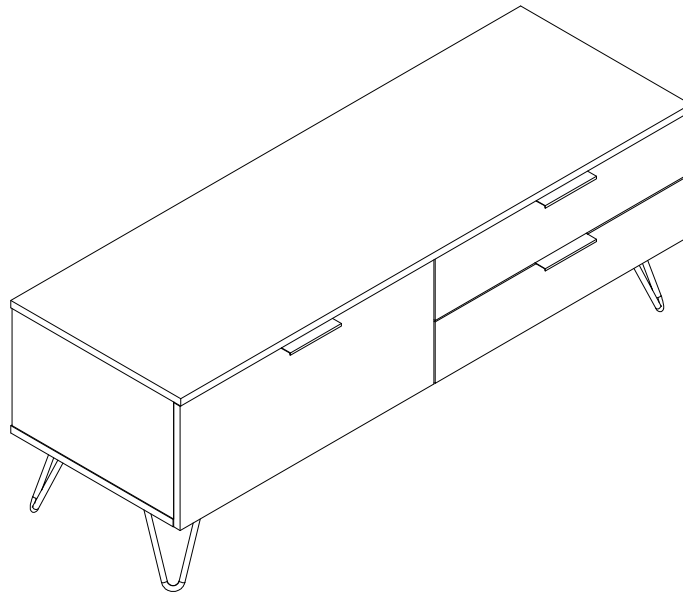
15



16



17



MDF Furniture Use and Care Guide.

Whilst laminated MDF is more durable than a lot of hard woods, it does not withstand staining and can be as prone to damage from moisture and heat as all other wooden materials .

Take the same precautions in cleaning MDF furniture as you would for any type of wood.

Use and care

Use suitable coasters or mats if placing hot items on the surface. Avoid direct contact with hot mugs or appliances , solvents , alcohol , nail polish and thinners

Cleaning

Clean spills immediately. Use a slightly damp cloth to spot clean (if needed) .Wipe dry immediately with a soft dry cloth .Avoid getting the lower parts such as legs of the furniture wet as MDF will absorb water and will swell up if water gets under surface.