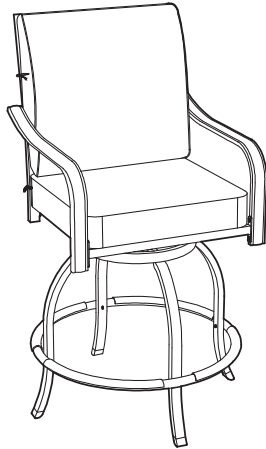


ASSEMBLY MANUAL





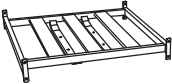





Assembly Instructions

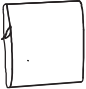








- Prior to assembly, ensure that you lay out and identify all the parts listed in the parts list.
- Tighten all nuts and bolts securely. Hand-tighten all bolts before use. Avoid using power tools or applying excessive force during assembly and bolt tightening.
- If you encounter any difficulties during assembly or if any part is missing or damaged,

Care and warranty

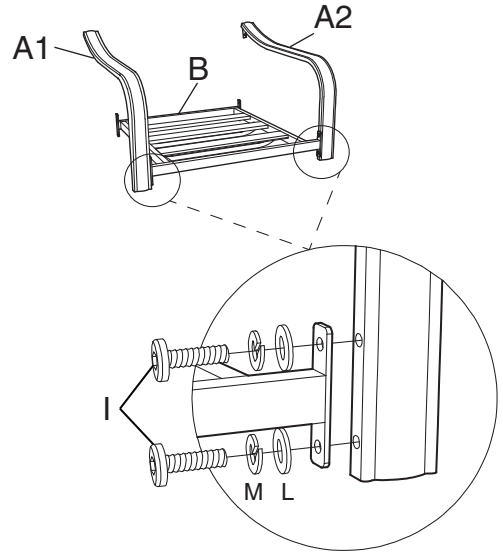
- The weight capacity of this recline chair is 250 lbs.
- Clean the frame components and fabric with a mild soap solution, then rinse thoroughly. Avoid using bleach, acid, or any other solvents on either the fabric or frame components.
- For a comprehensive warranty policy, . Be aware that warranty terms can change without prior notification.
- For the best performance and safety of your chair, inspect and tighten all bolts and fasteners regularly

Part list

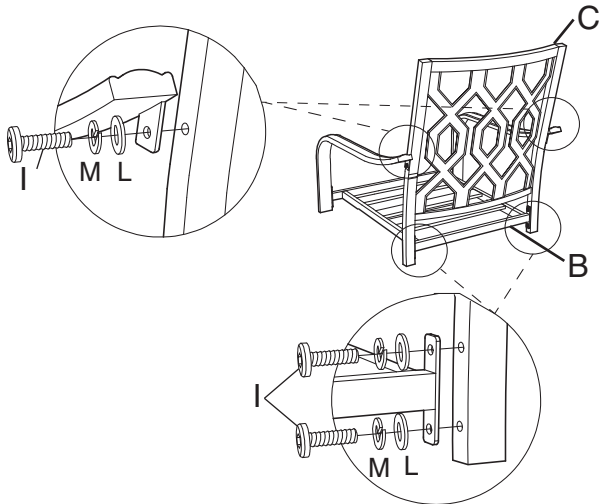
Part	Description	Qty
A1	 Right Arm	1
A2	 Left Arm	1
B	 Seat	1
C	 Back	1
D	 Wheel	1
E	 Leg	4
F	 Leg Connector	1
G	 Seat Cushion	1

Part	Description	Qty
H	 Back Cushion	1
I	 M6*15 Bolt	22+2
J	 M6*32 Bolt	4+1
K	 M6*35 Bolt	4+1
L	 Spring Washer	34
M	 Washer	34
N	 Nut	4+1
	 Allen Key 1X	1X
	 Screw Driver 1X	1X

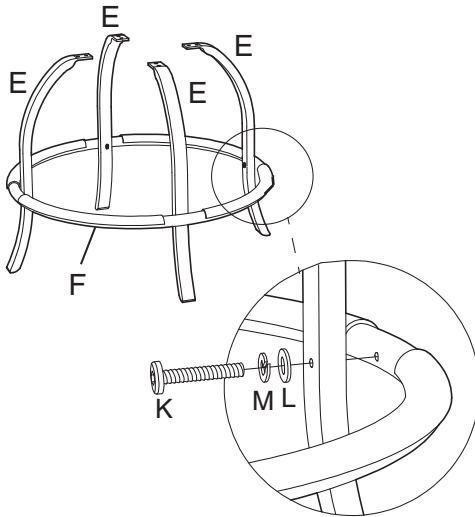
1. Connect the Right Arm (Part A1) and Left Arm (Part A2) to the Seat (Part B) using Bolt (I), Spring Washer (M), Washer (L) as shown in the diagram.



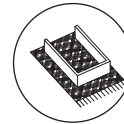
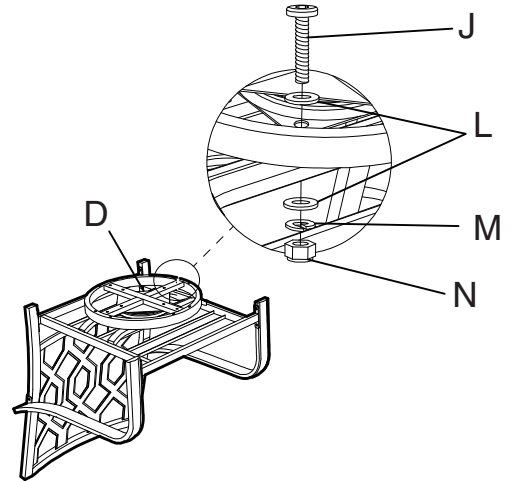
2. Connect the Back (Part C) and Arm (Part A1, A2) to the Seat (Part B) using Bolt (I), Spring Washer (M), Washer (L) as shown in the diagram.



4. Connect Leg Connector (Part F) to Legs (Part E) using Bolt (K), Spring Washer (M), and Washer (L) as shown in the diagram.

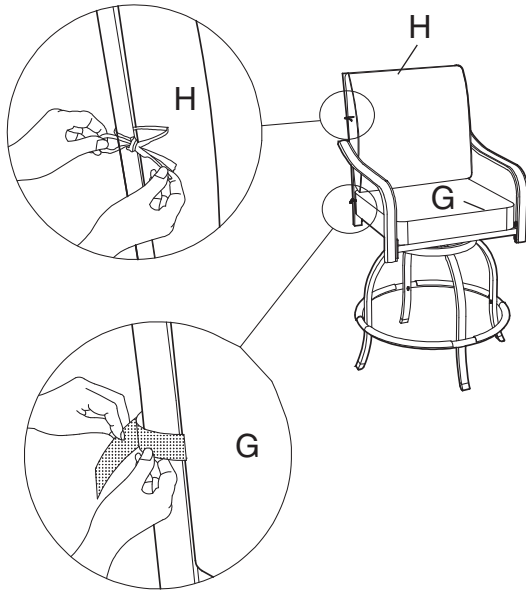


3. Attach Wheel (Part D) to Seat (Part B) using Bolt (J), Spring Washer (M), Washer (L), and Nut (N) as shown in the diagram.

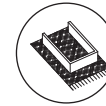
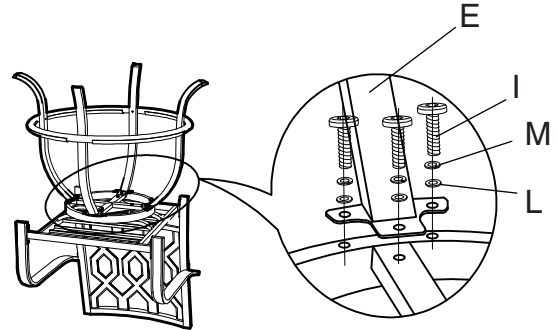


Reminder: All parts must be put on the carpet in the assembly.

6. Place the Back Cushion (Part H) and Seat Cushion (Part G) on the frame, and then secure them to the Back (Part C) as shown in the diagram.



5. Attach Leg Base to Wheel (Part D) using Bolt(I) , Spring Washer (M) and Washer (L) as shown in the diagram.



Reminder: All parts must be put on the carpet in the assembly.

7. Ensure that all bolts are tightly secured before using on level ground.