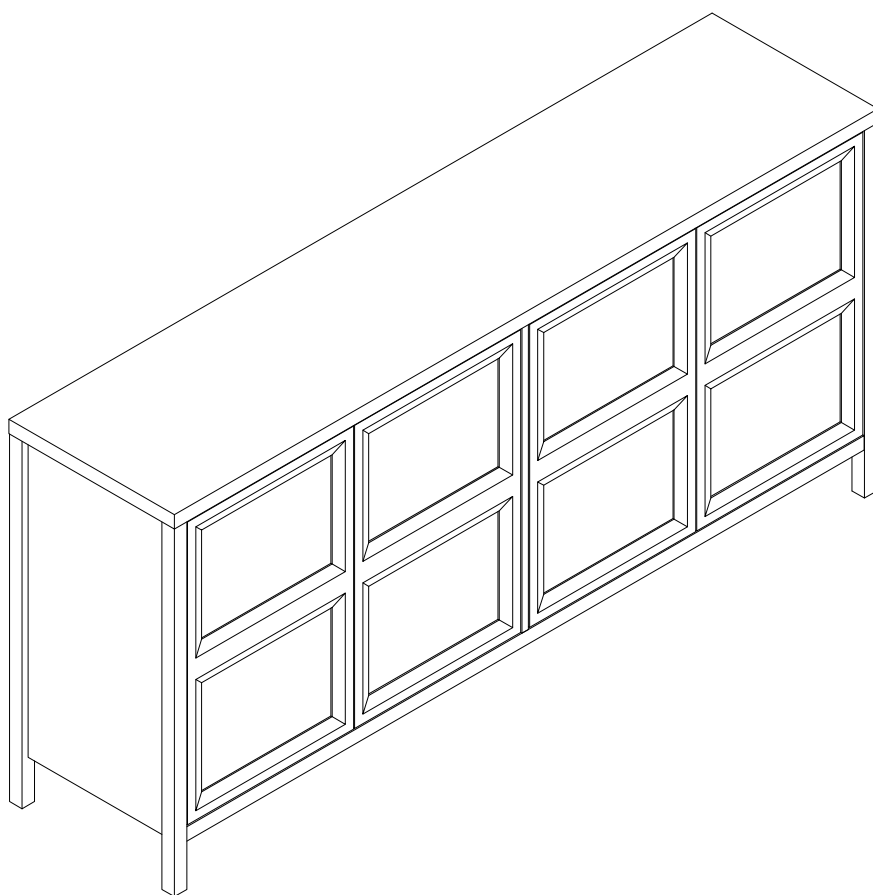


Assembly Instruction

———— CBN193 ————



General Guidelines

- Please read the following instruction carefully and use the product accordingly.
- Please keep this manual and hand it over when you transfer the product.
- This summary may not include every detail of all variations and considered steps. Please contact us when further information and help are needed.

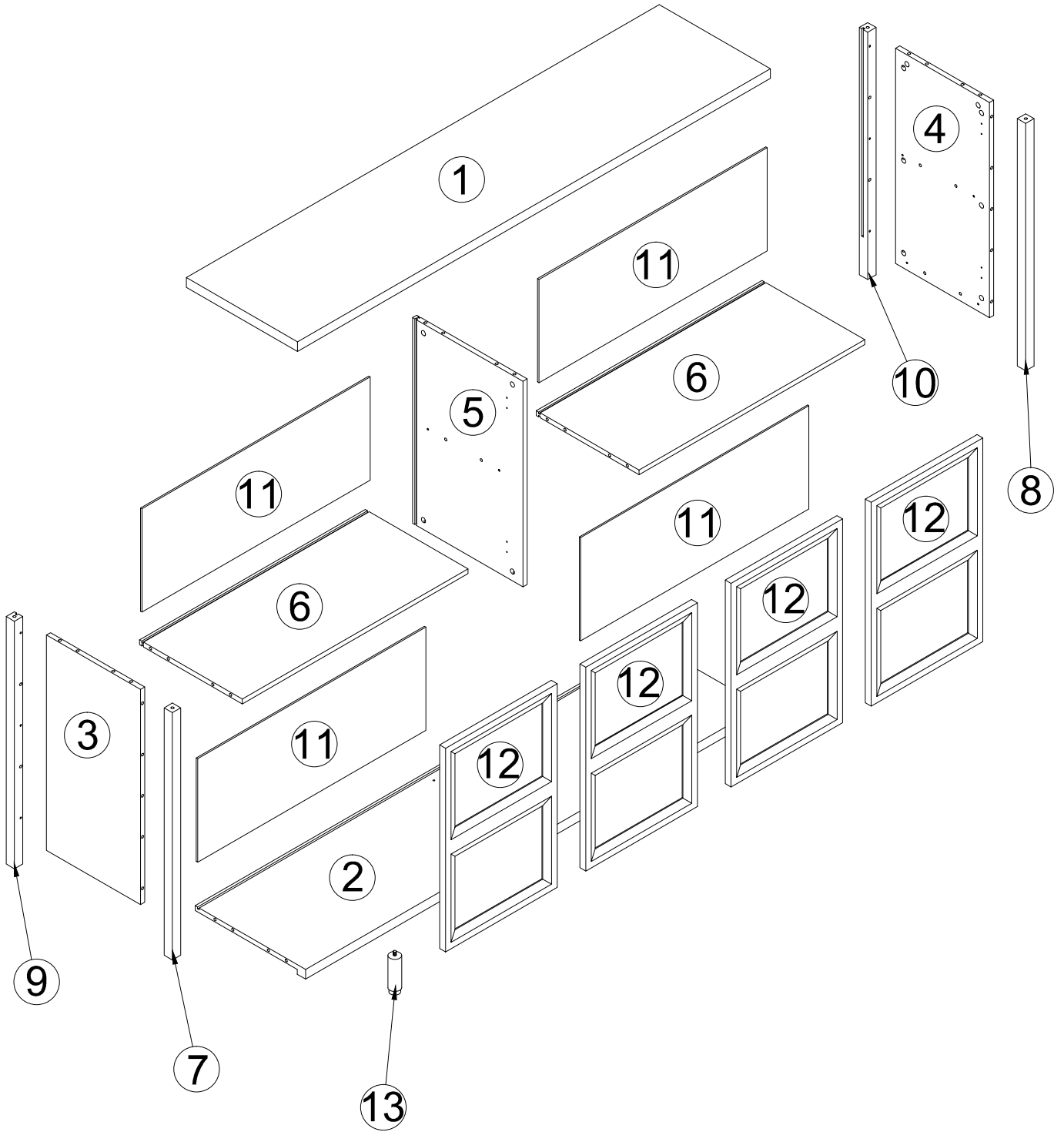
Notes

- The product is intended for indoor use only. The product must be assembled and used in accordance with the provisions of the manual. Personal injury and/or damage to product may occur if products are used outside of their intended purposes and/or if products have been changed/modified from their original design. The seller does not assume any responsibility or liability with respect to any injury/damage caused by incorrect assembly or improper use.
- Avoid long-term exposure to humid environments to prevent mildew.
- Keep the product away from fire sources and high temperatures. Do not expose the product to direct sunlight.
- Do not place any hot objects on the surface of the product.
- If there are any defective or missing parts after unpacking, please cease assembly immediately and contact us.
- Please assemble the item on a spacious surface and do not place the unwrapped product directly on the ground to avoid product damage.
- Please do not stand or sit on the wooden boards.
- Please wear gloves during the assembly and/or disassembly process to avoid scratches from any sharp edges.
- Please match the corresponding part and fitting based on the part number in the manual.
- If the part does not match with the fitting, please check the piece as specified in this manual.
- During assembly, first loosely align all screws with the corresponding pre-drilled holes and then tighten the screws one by one.
- Periodically inspect screw tightness while the product is in use. If necessary, retighten to ensure structural integrity.
- If you accidentally spill water or another liquid on the surface, immediately wipe clean with a dry towel.
- Please keep the product away from sharp, pointed objects and corrosive substances to prevent product damage.
- Please place this item on level, solid ground during use.

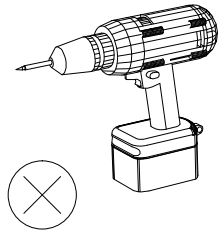
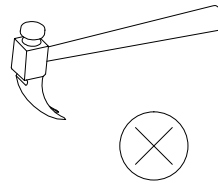
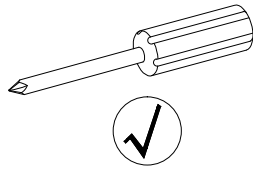
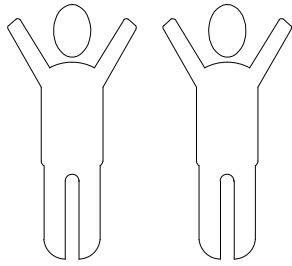
Warnings

- During assembly, keep all small parts out of the reach of children. It may be fatal if swallowed or inhaled.
- Children should not climb or play on the product in order to avoid tipping over the furniture and causing serious injury.
- To avoid the potential dangers of suffocation, please keep all parts and packaging (film, plastic bags, foam, etc.) away from babies and children.
- Keep sharp objects and corrosive items away from the product to avoid any damage or injury.
- Do not shake or move violently during use to avoid tipping over the product.

Parts List (EN)

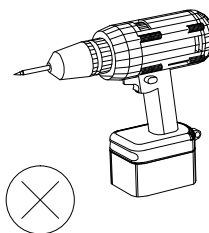
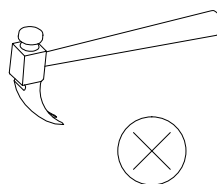
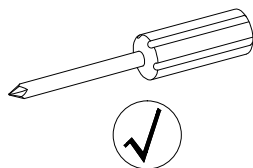
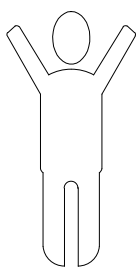
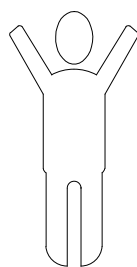


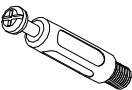


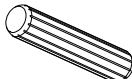
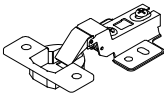
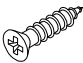
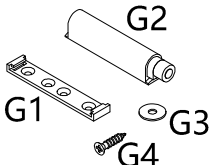
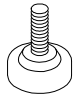
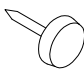
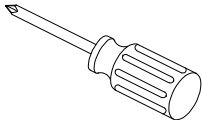
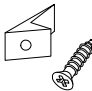
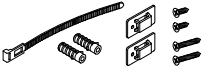
Parts List (EN)



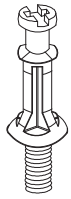
<p>①</p> <p>1PC</p>	<p>②</p> <p>1PC</p>	<p>③</p> <p>1PC</p>	<p>④</p> <p>1PC</p>
<p>⑤</p> <p>1PC</p>	<p>⑥</p> <p>2PCS</p>	<p>⑦</p> <p>1PC</p>	<p>⑧</p> <p>1PC</p>
<p>⑨</p> <p>1PC</p>	<p>⑩</p> <p>1PC</p>	<p>⑪</p> <p>4PCS</p>	<p>⑫</p> <p>4PCS</p>
<p>⑬</p> <p>1PC</p>			

Parts List (EN)

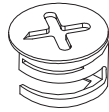


<p>No. A Quantity:32+2 Pcs Cam Lock Dowel 8*28mm</p> 	<p>No. B Quantity:32+2 Pcs Cam φ15</p> 	<p>No. C Quantity:28+2 Pcs Sticker Ø20</p> 	<p>No. D Quantity:32+2 Pcs Dowel 8*30mm</p> 
<p>No. E Quantity:8 Pcs Hinge</p> 	<p>No. F Quantity:56+4 Pcs Screw M3.5*14mm</p> 	<p>No. G Quantity:4 Sets Cabinet Door Rebounder</p> 	<p>No. H Quantity: 1 Pc Adjust The Foot</p> 
<p>No. I Quantity:4+1 Pc Foot Pad Ø15</p> 	<p>No. J Quantity:1 Pc Screwdriver</p> 	<p>No. K Quantity:16 Sets Plastic Wedge</p> 	<p>No. L Quantity:1 Sets Anti-falling Parts</p> 

Instructions For Fastening CAM-BOLT and CAM-LOCK

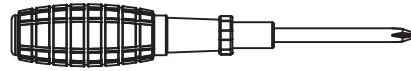


CAM-BOLT

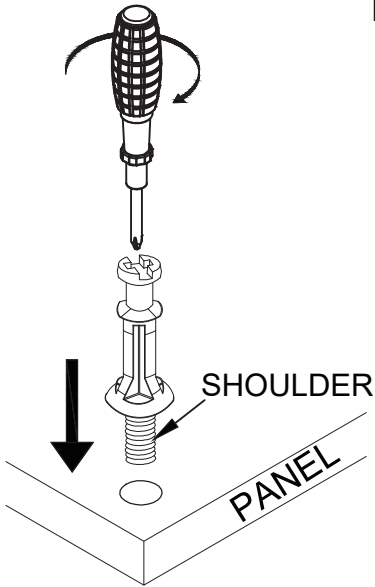


CAM-LOCK

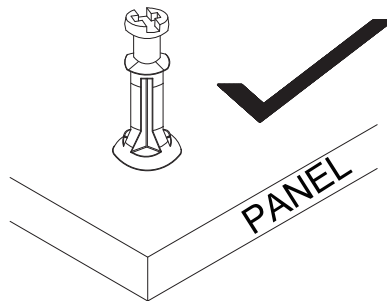
Tools Required



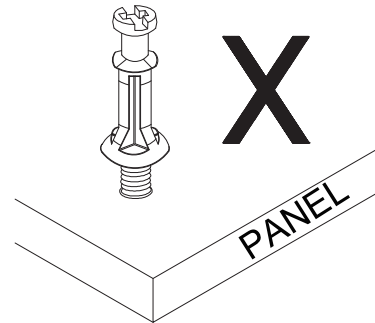
INSERTING AND TIGHTENING CAM-BOLT



Place Cam-bolt on pre-drilled hole and screw in vertically



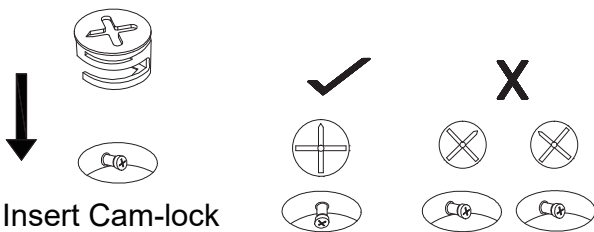
Shoulder is flushed (on the same level) with the panel.



Shoulder is above the panel.

Place Cam-bolt on the designated pre-drilled holes on the panel. Use a Phillips Screwdriver to screw-in Cam-bolt vertically until shoulder is flushed (on the same level) with panel.

INSERTING CAM-LOCK

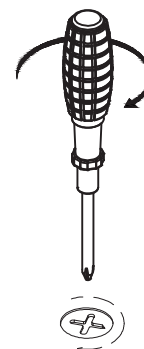


Insert Cam-lock with arrow align to Cam-bolt head

CORRECT

WRONG

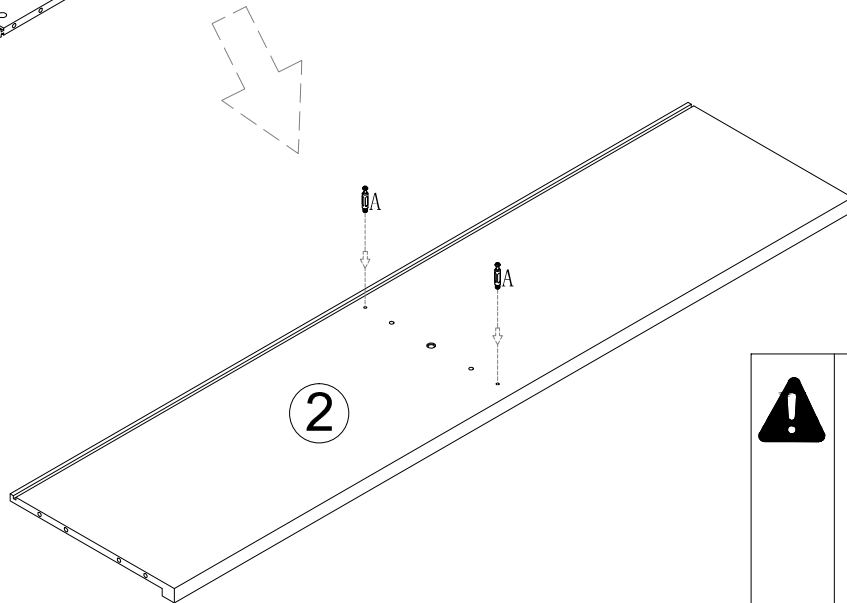
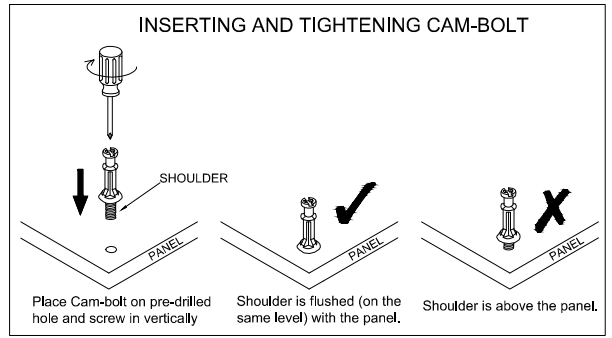
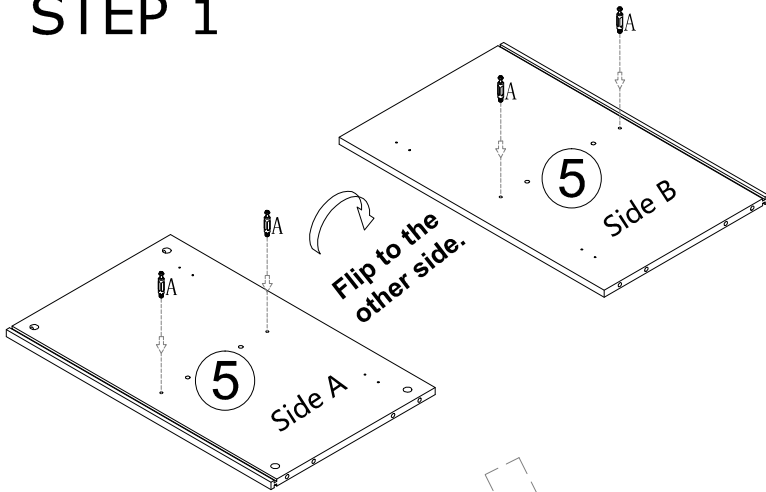
TIGHTENING CAM-LOCK



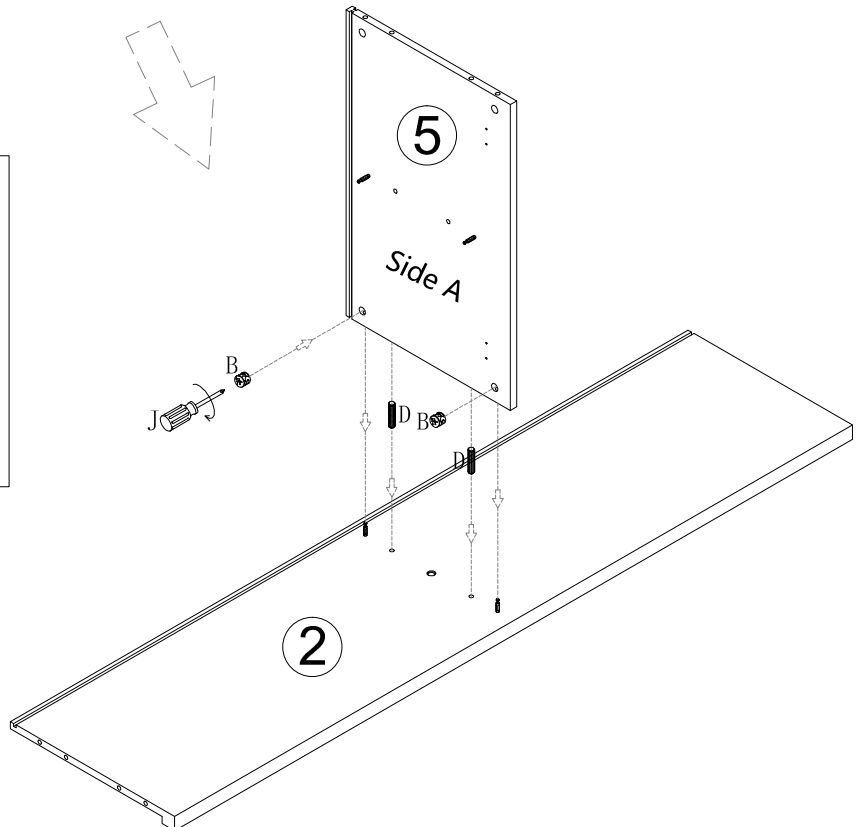
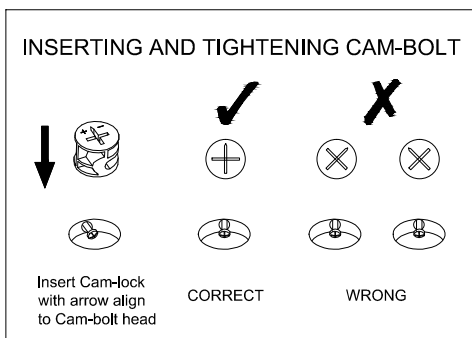
Align the arrow on the Cam-lock to the Cam-bolt head and insert the Cam-lock. Ensure Cam-lock is fully inserted.

Use a Flat-head Screwdriver to turn Camlock clockwise so it locks onto the head of the Cam-bolt. Turn until it is snug (about 3/4ths of a turn) -- over-tightening could damage Cam-lock or/and Cam-bolt.

STEP 1

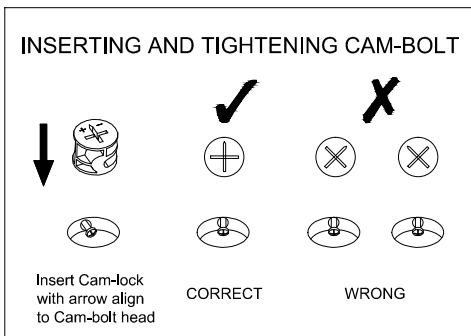
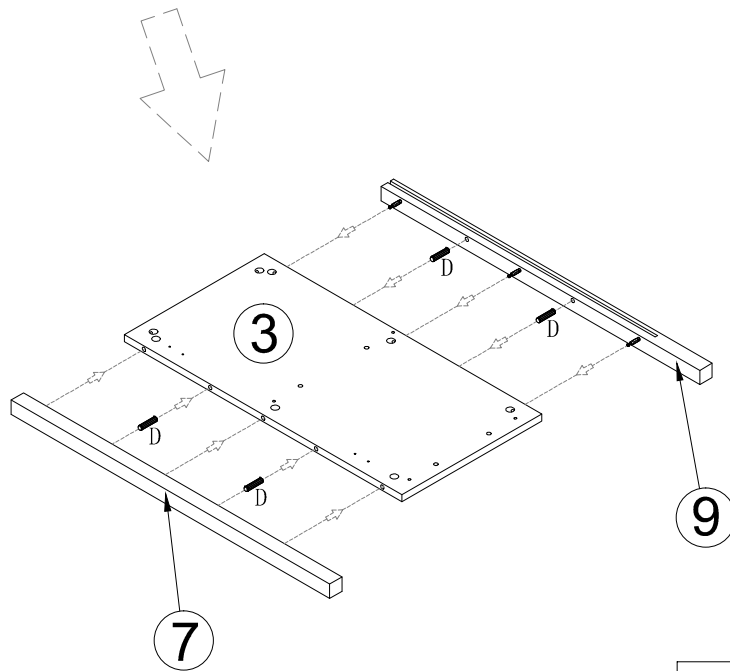
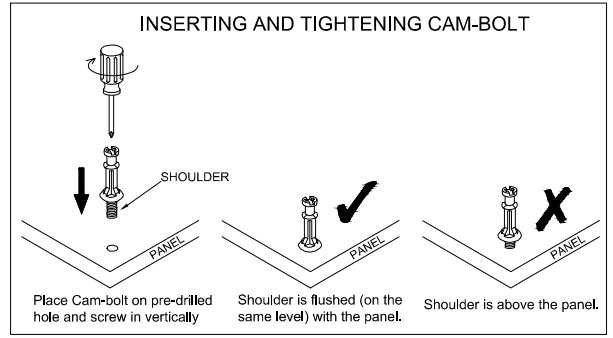
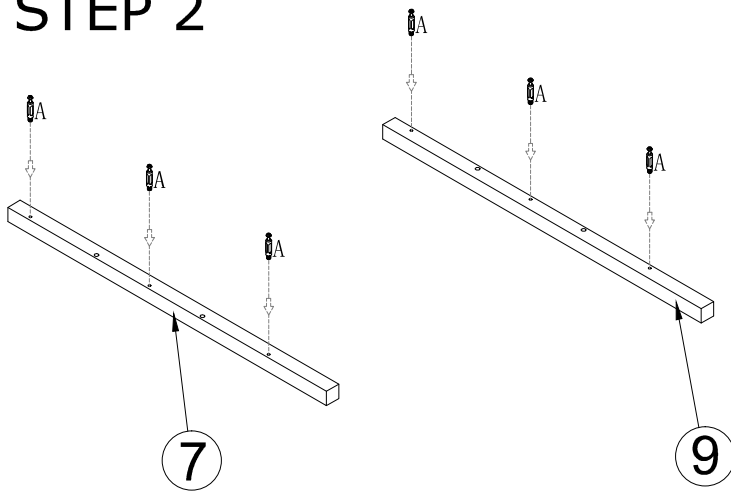


! Align the arrow on the Cam-lock to the Cam-bolt head and insert the Cam-lock. Ensure Cam-lock is fully inserted.

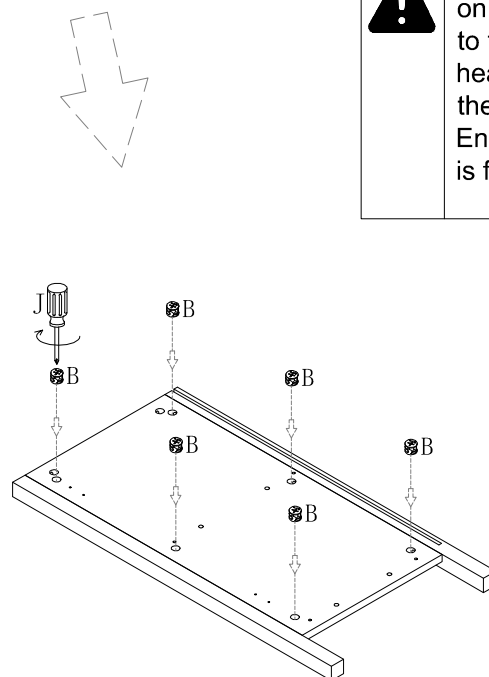


	A×6PCS
	B×2PCS
	D×2PCS

STEP 2

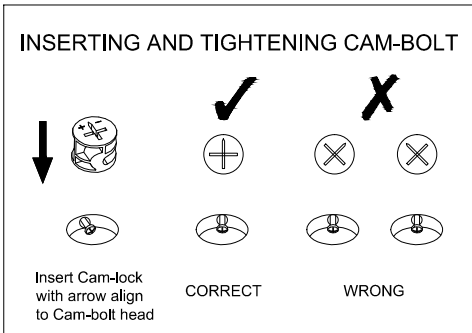
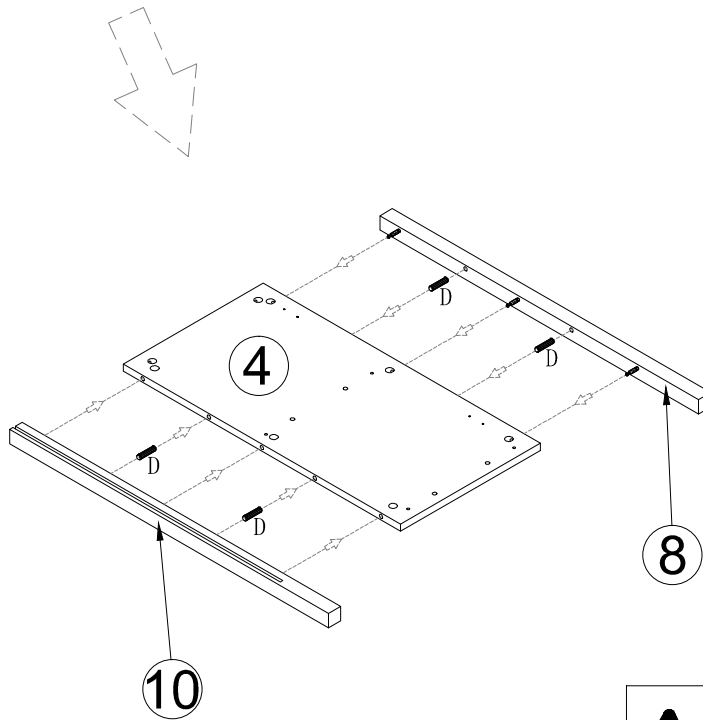
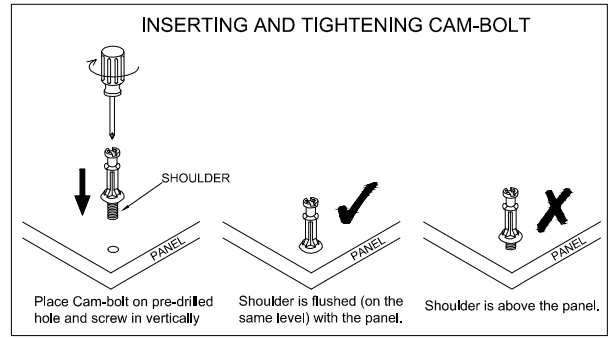
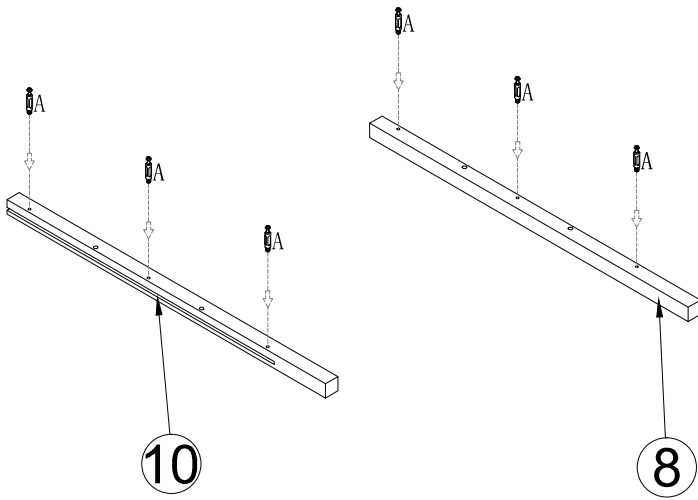


! Align the arrow on the Cam-lock to the Cam-bolt head and insert the Cam-lock. Ensure Cam-lock is fully inserted.

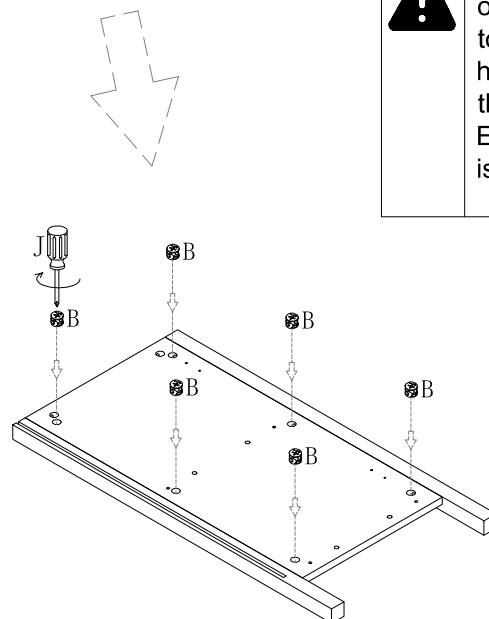


	A×6PCS
	B×6PCS
	D×4PCS

STEP 3

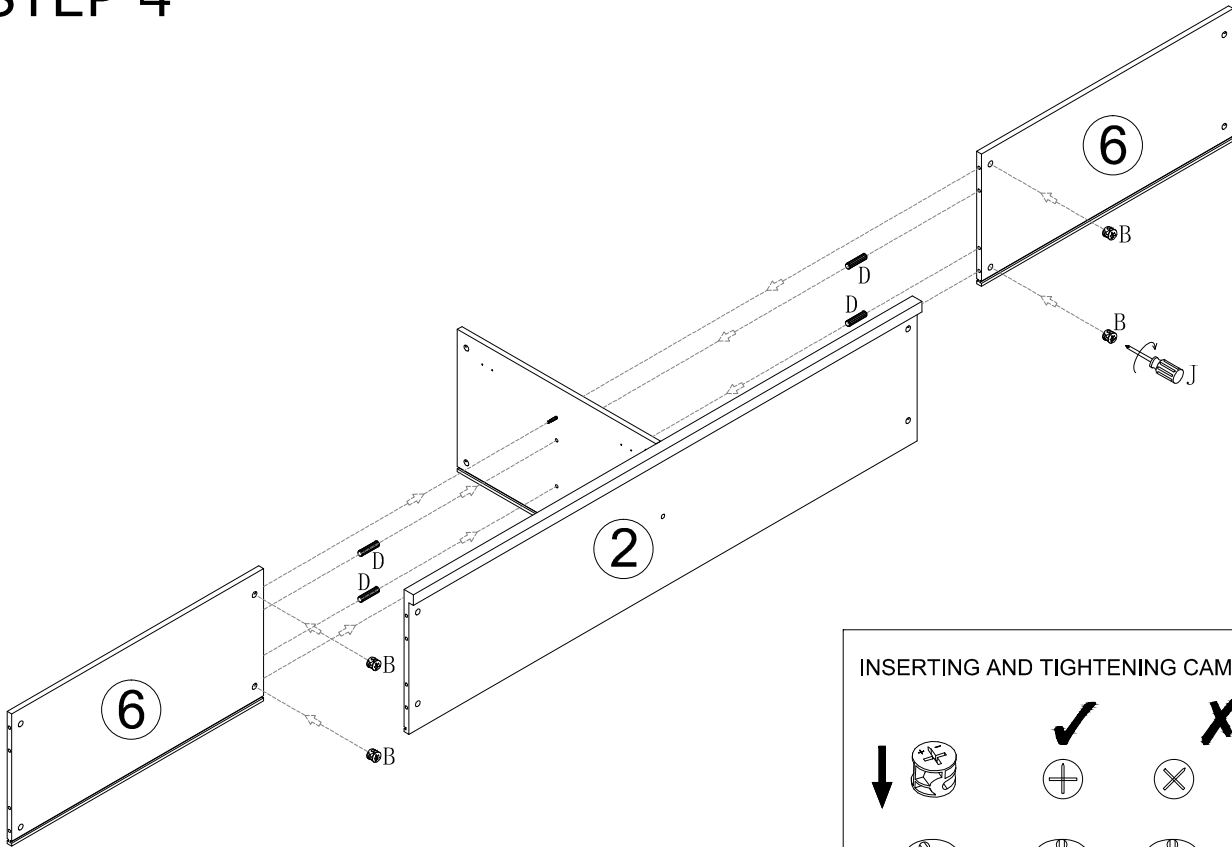


! Align the arrow on the Cam-lock to the Cam-bolt head and insert the Cam-lock. Ensure Cam-lock is fully inserted.



	A×6PCS
	B×6PCS
	D×4PCS


STEP 4

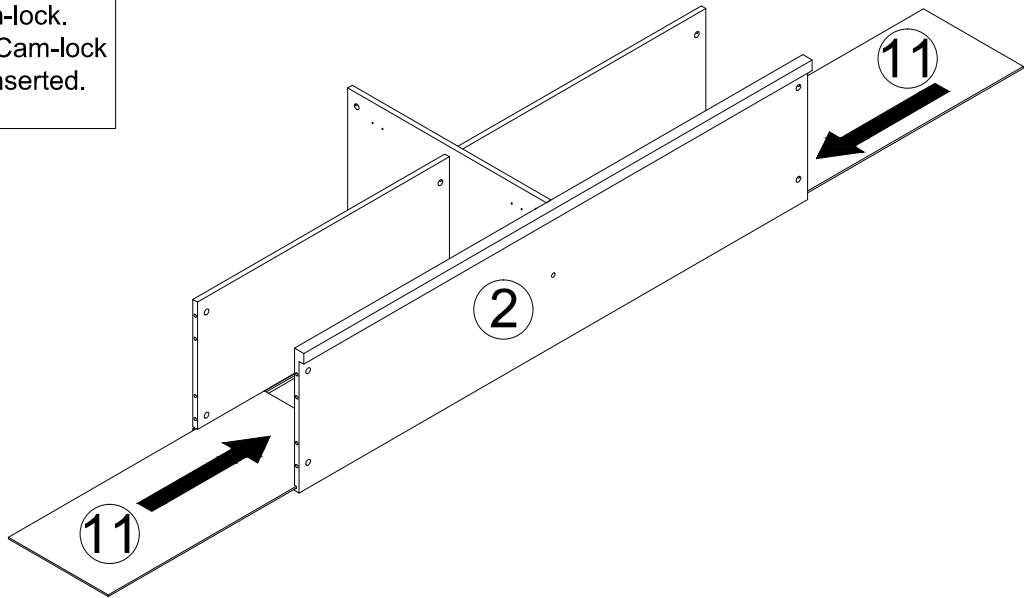



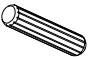
INSERTING AND TIGHTENING CAM-BOLT

Insert Cam-lock with arrow align to Cam-bolt head

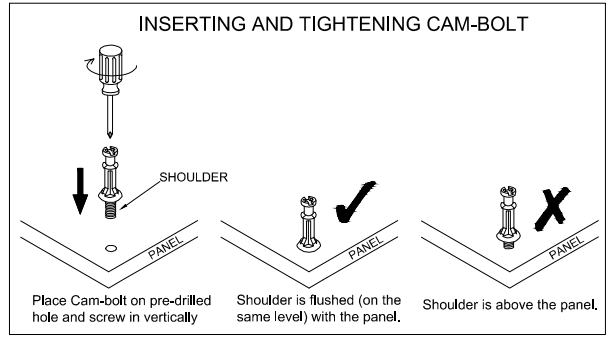
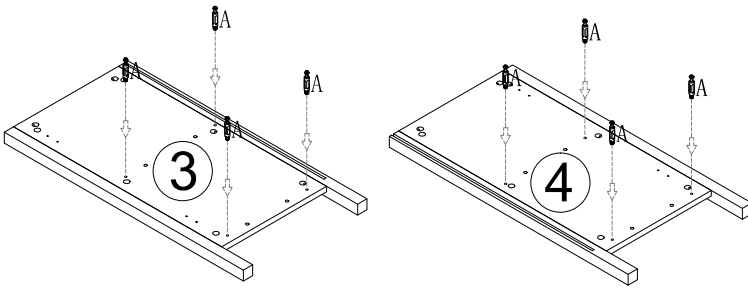
CORRECT WRONG

 Align the arrow on the Cam-lock to the Cam-bolt head and insert the Cam-lock. Ensure Cam-lock is fully inserted.

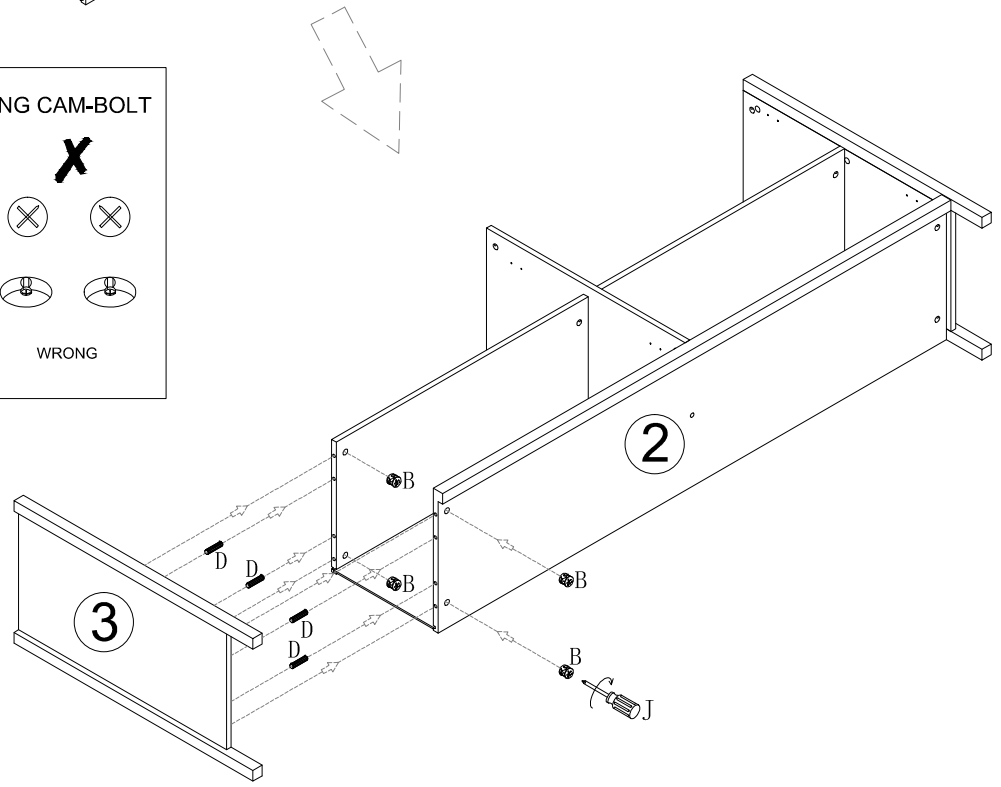
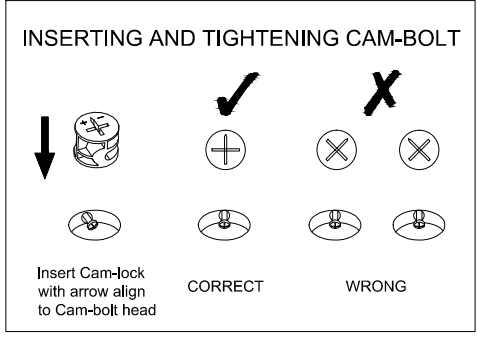
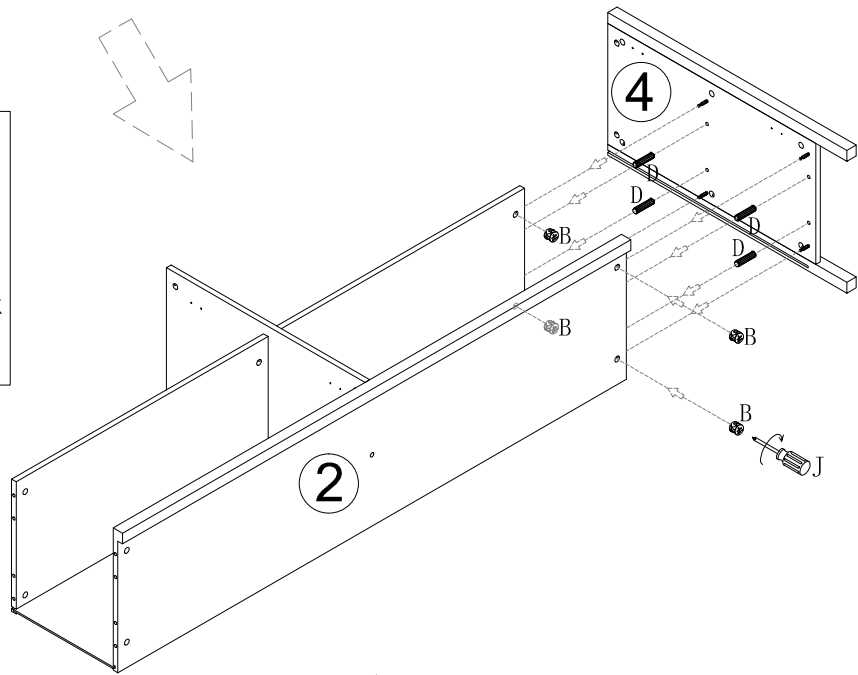


	B×4PCS
	D×4PCS

STEP 5

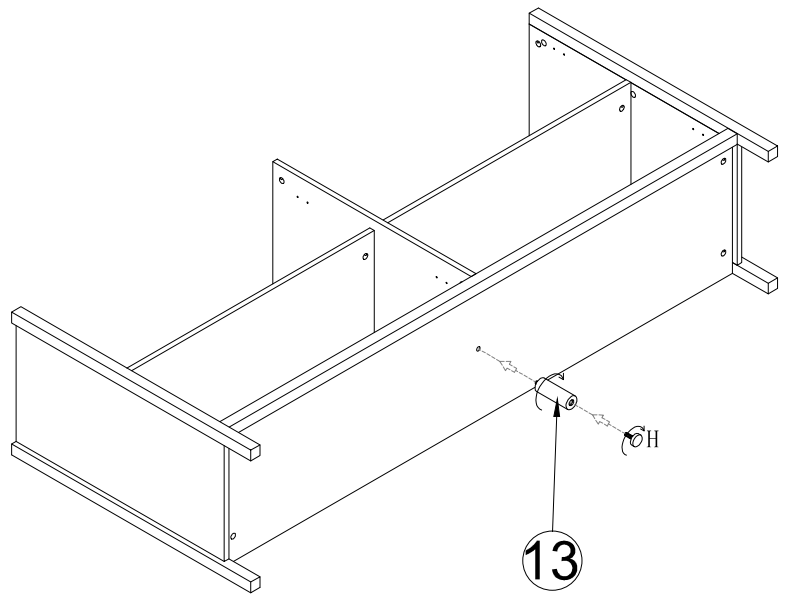


! Align the arrow on the Cam-lock to the Cam-bolt head and insert the Cam-lock. Ensure Cam-lock is fully inserted.

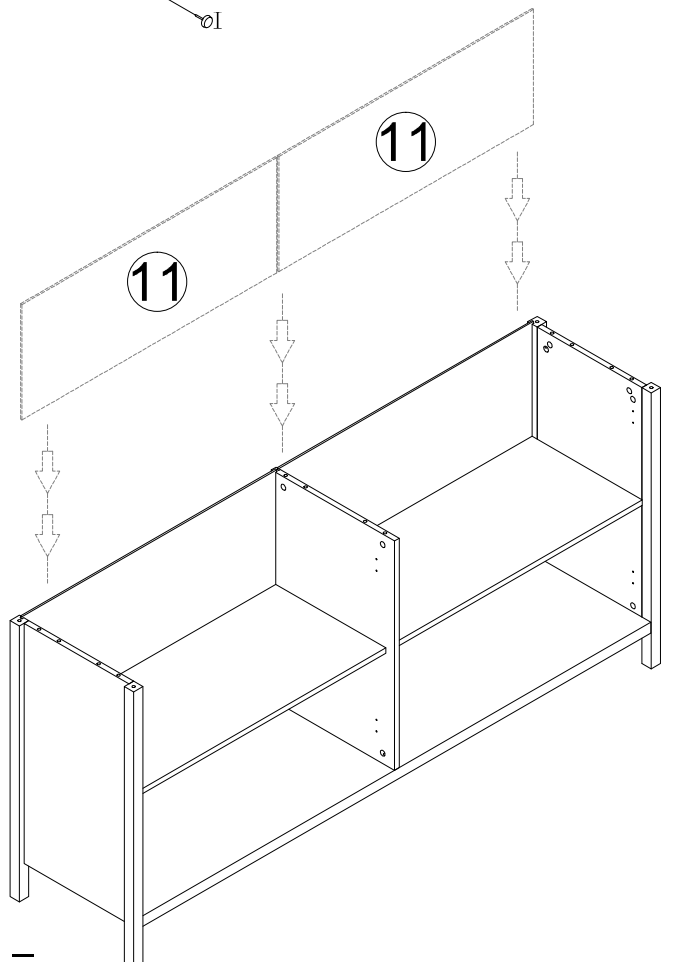
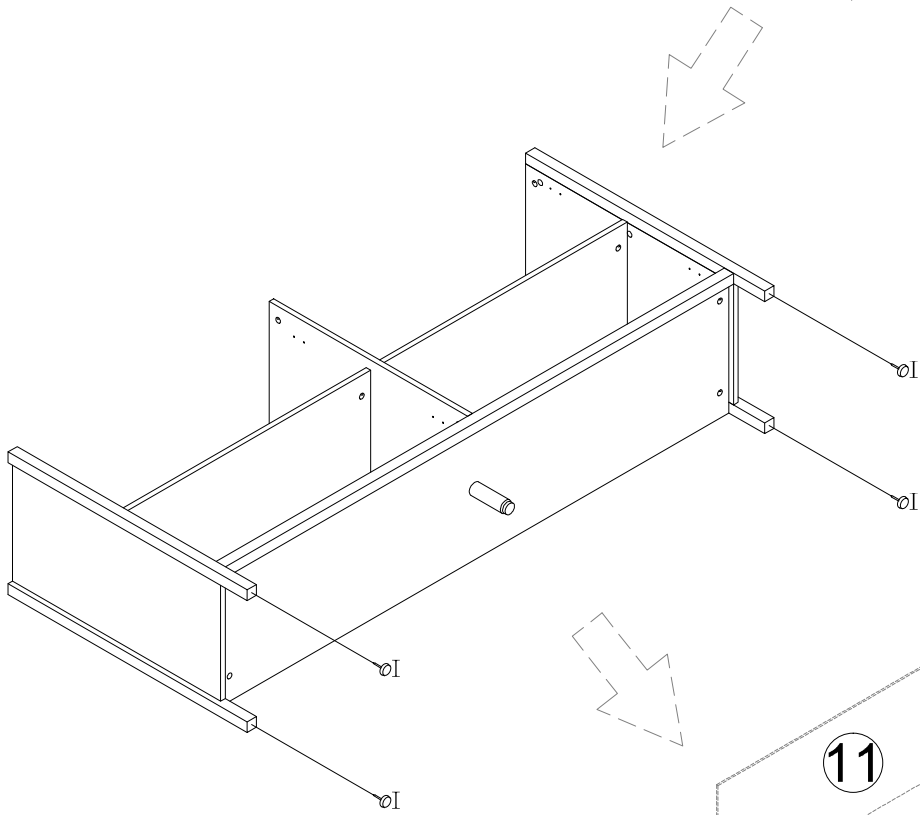


	A×8PCS
	B×8PCS
	D×8PCS

STEP 6

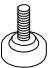



13

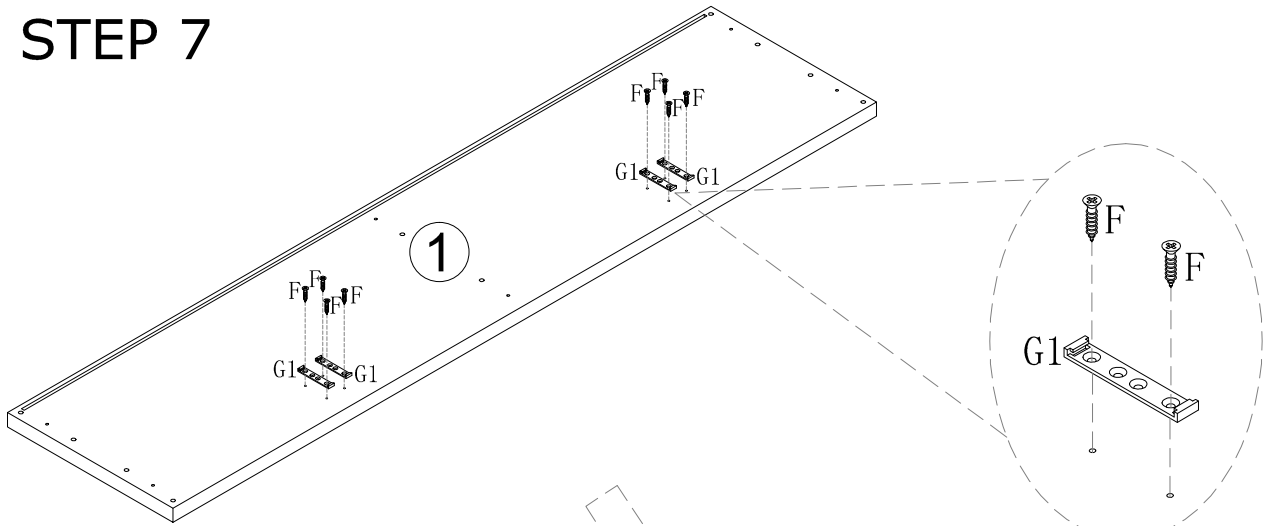


11

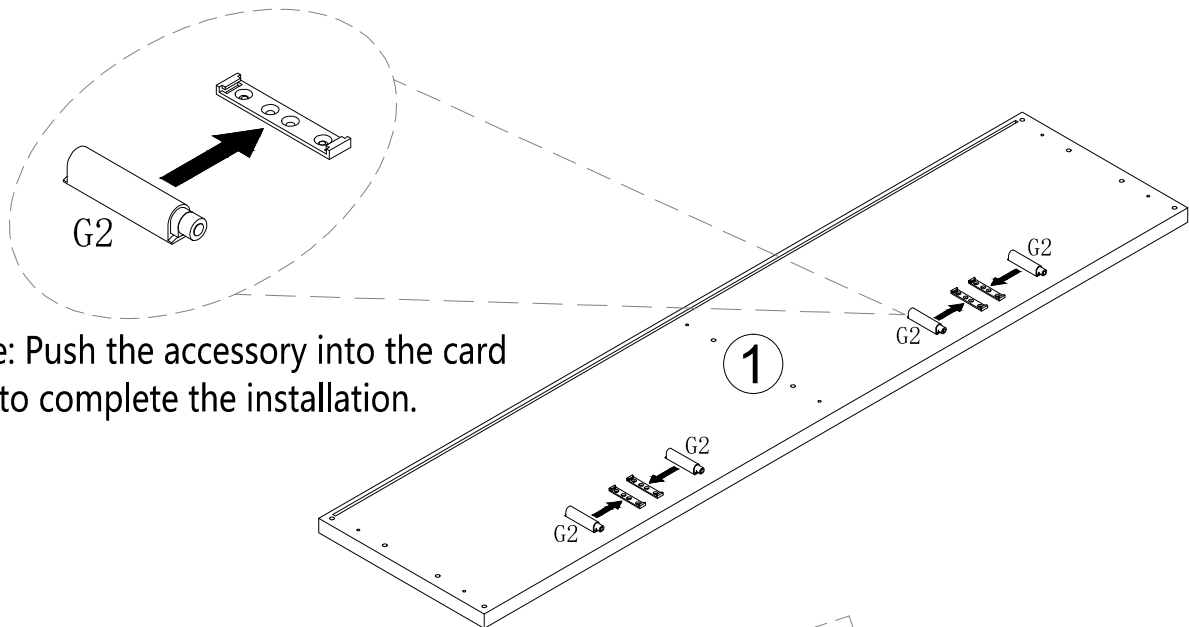
11

	H×1PC
	I×4PCS

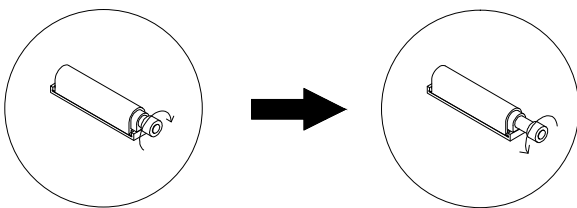
STEP 7



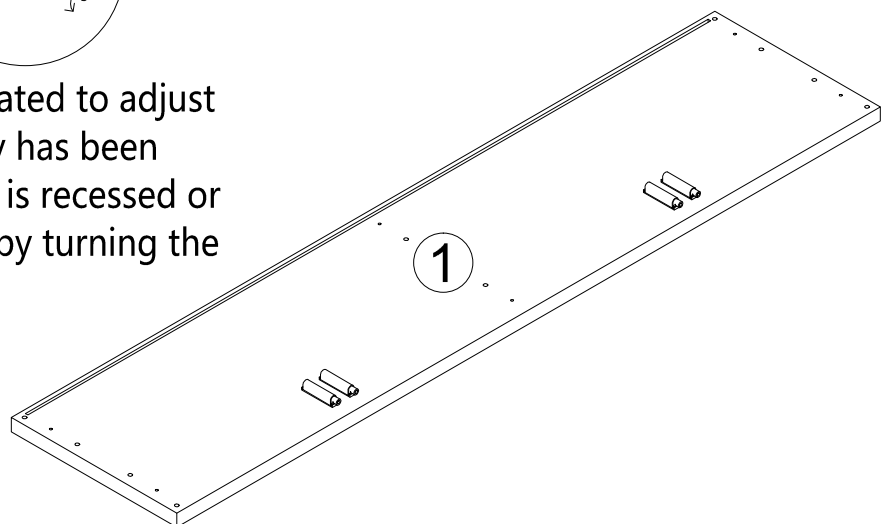
Note: Please distinguish the numbering of the screws.

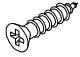
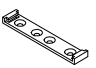



Note: Push the accessory into the card slot to complete the installation.

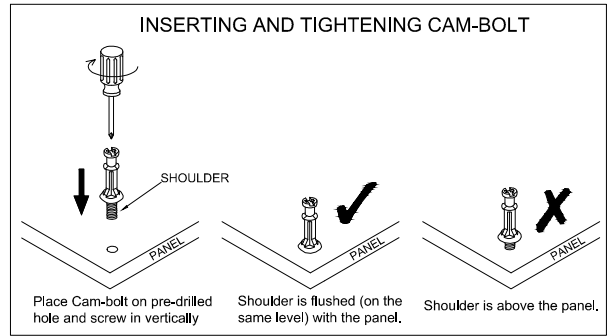
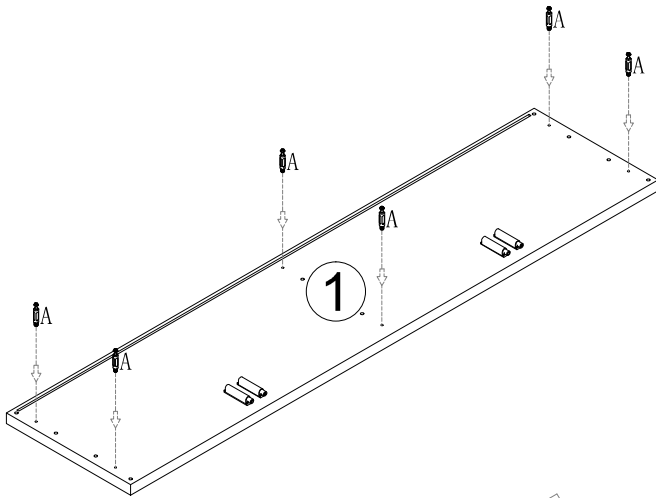



Note: The hardware can be rotated to adjust the fit here. If the cabinet body has been assembled and the door panel is recessed or protruding, it can be adjusted by turning the hardware.

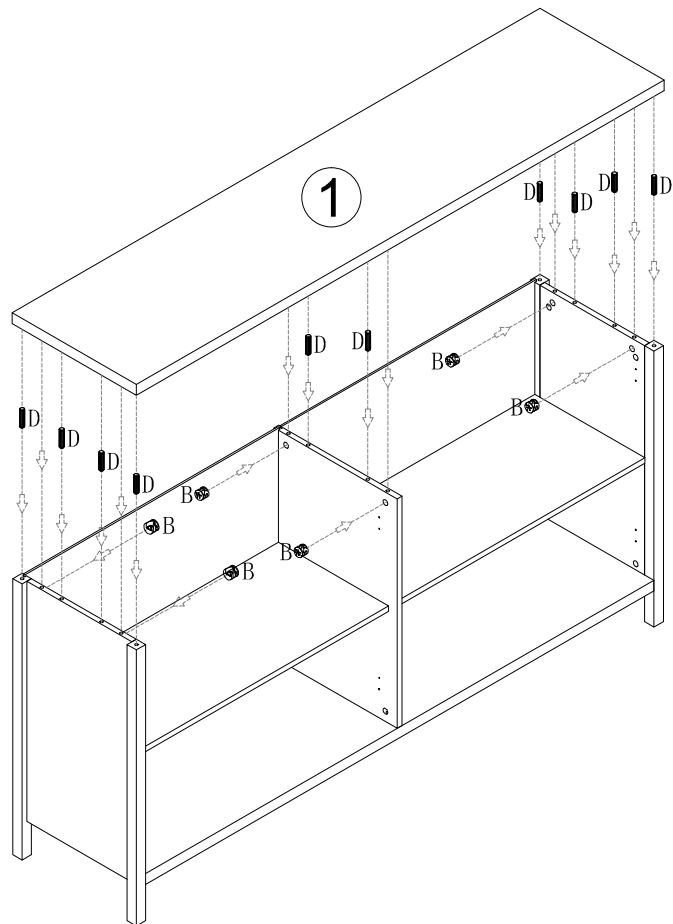
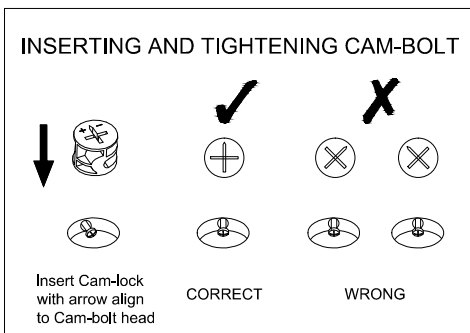


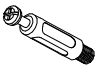


	F×8PCS
	G1×4PCS
	G2×4PCS

STEP 8

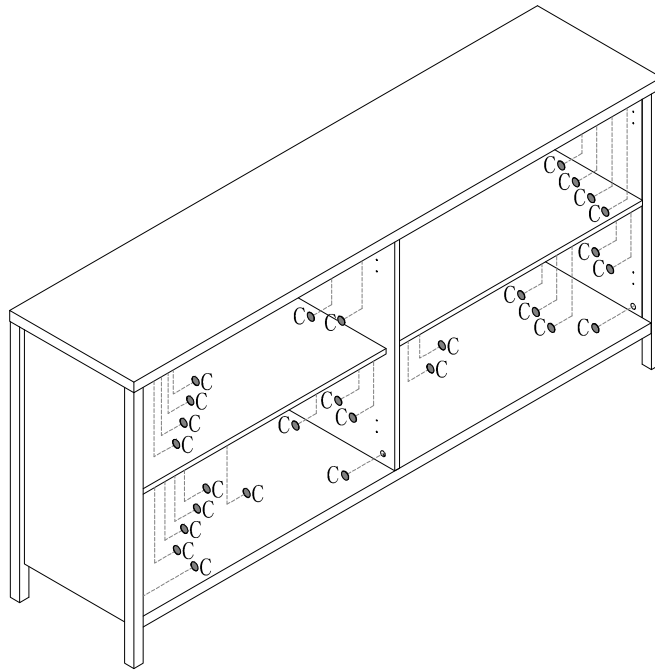


 Align the arrow on the Cam-lock to the Cam-bolt head and insert the Cam-lock. Ensure Cam-lock is fully inserted.

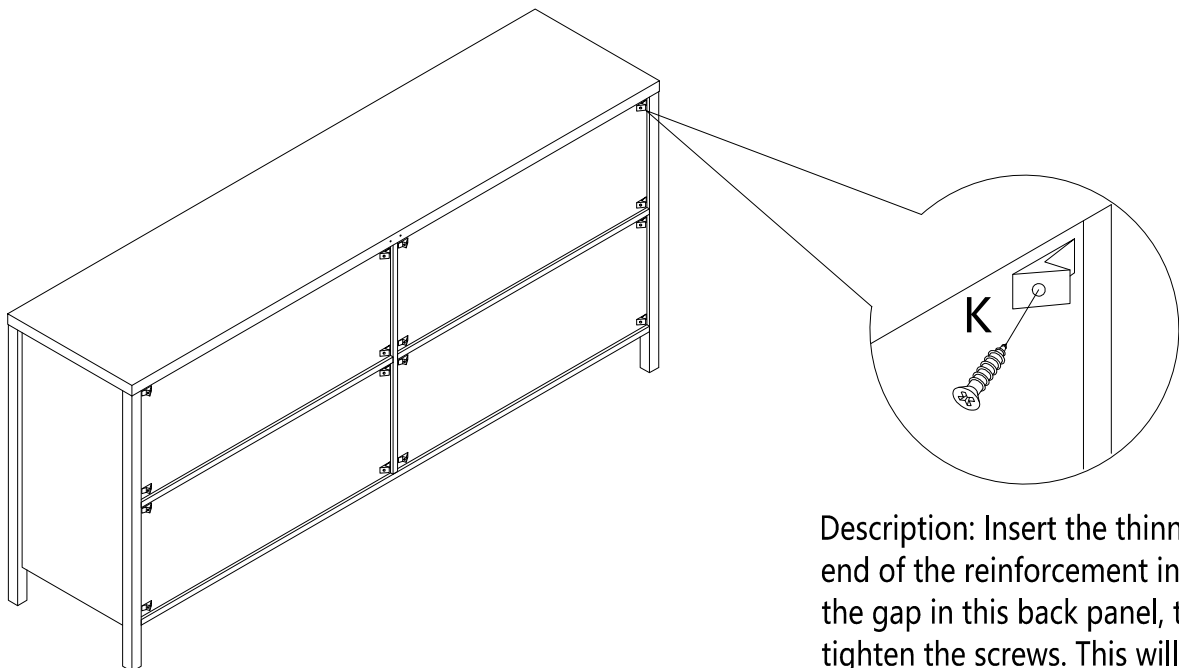


	A×6PCS
	B×6PCS
	D×10PCS

STEP 9



STEP 10



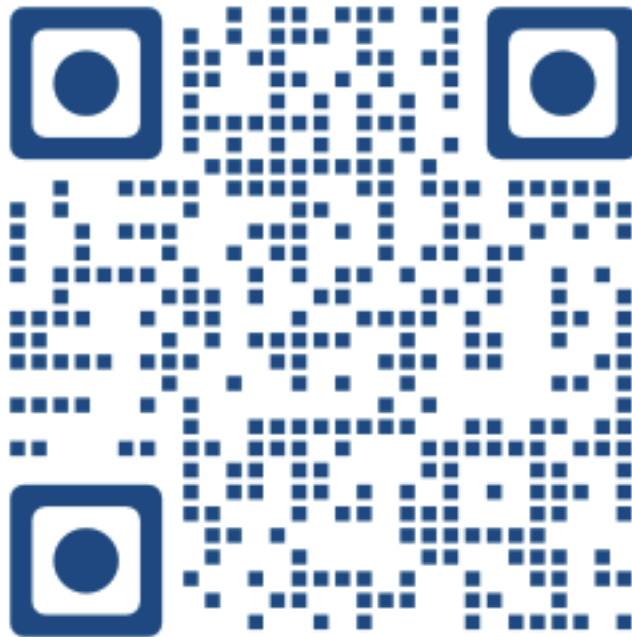
Description: Insert the thinner end of the reinforcement into the gap in this back panel, then tighten the screws. This will make the cabinet more stable.





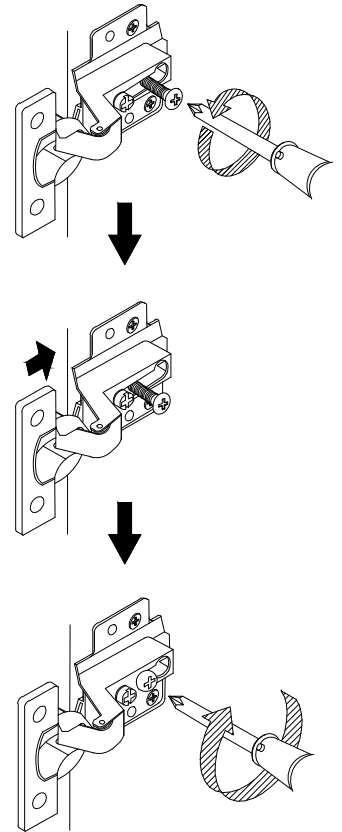
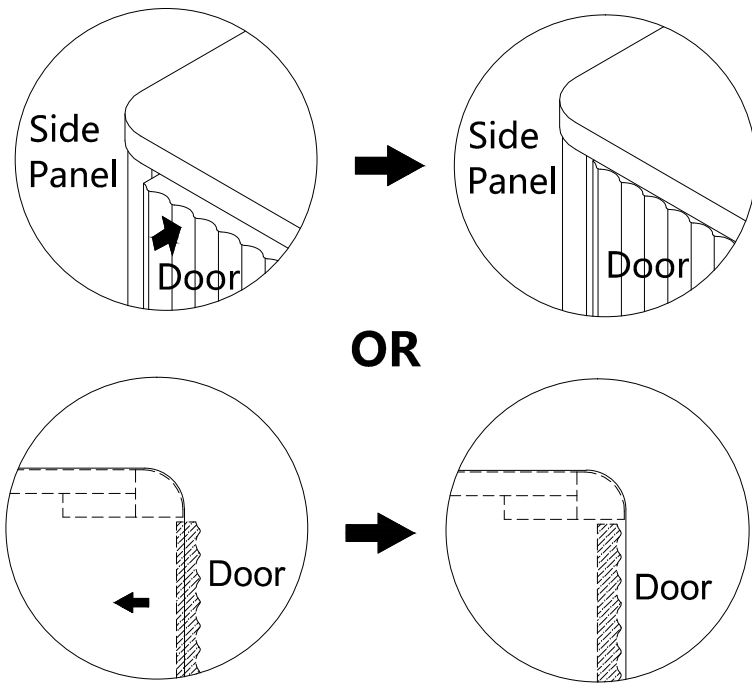
If you encounter any of the following issues, please follow the steps below to correct them.

- 1.The function of the front screw is to adjust the size of the gap between the door and the side panel.
- 2.The function of the rear screw is to adjust the distance between the front and rear of the door.



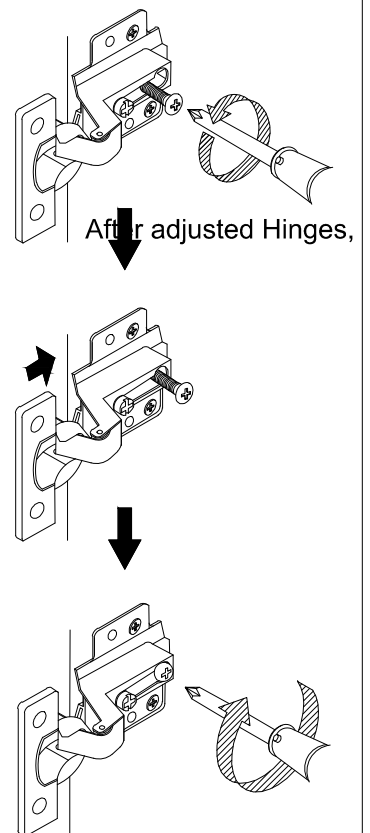
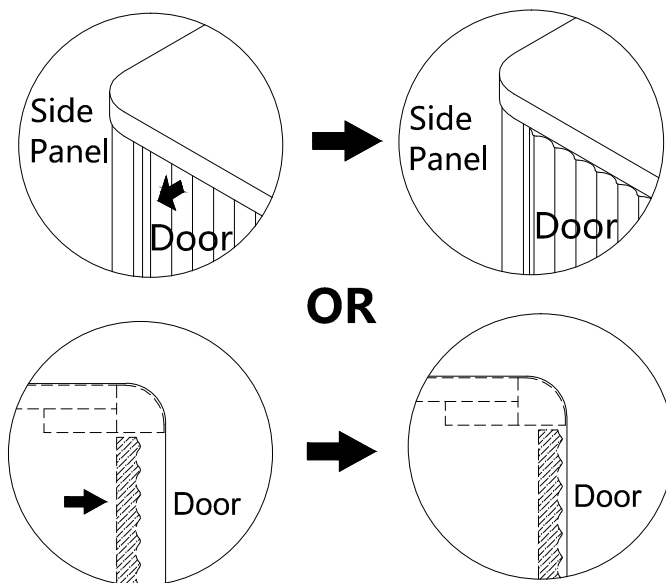
Scan the QR code to watch the hinge adjustment video.

11-A. When the door panel is higher than the side panel.



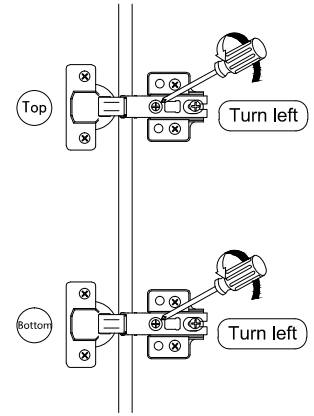
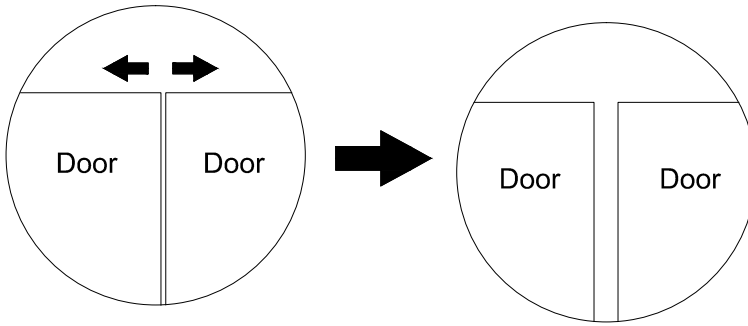
If the gap is too big between side panel and door or the door is over the edge of side panel, loosen the back screw as shown, then move in the door with hinge and tighten the back screw as shown when the gap is just well.

11-B. When the door panel is lower than the side panel, an indentation occurs.



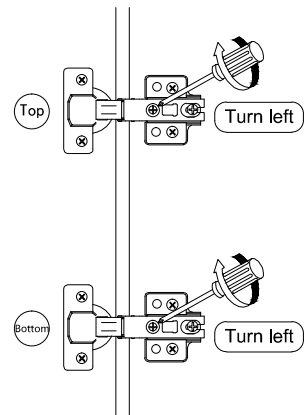
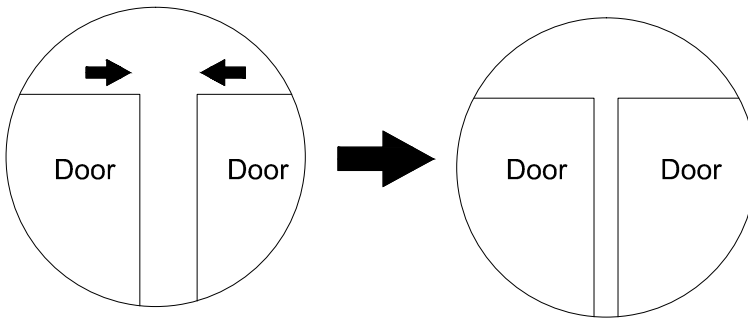
If the gap is too small between side panel and door or the door sank in side panel, loose the back screw as shown, then move out the door with hinge and tighten the back screw as shown when the gap is just well.

11-C



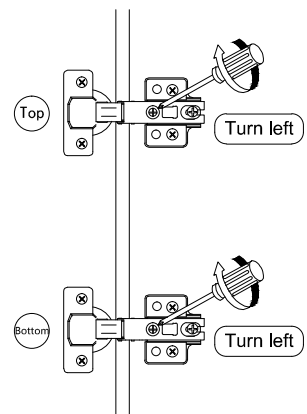
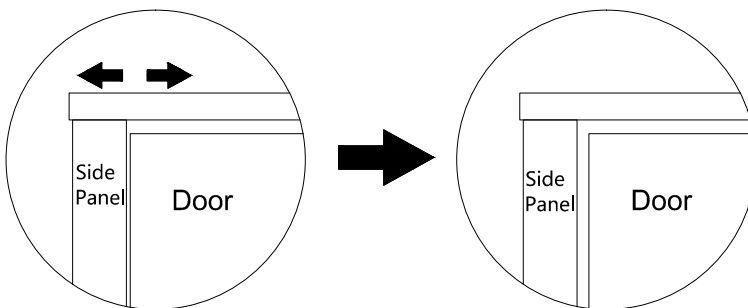
If the gap between the two doors is too small, follow the diagram.

11-D



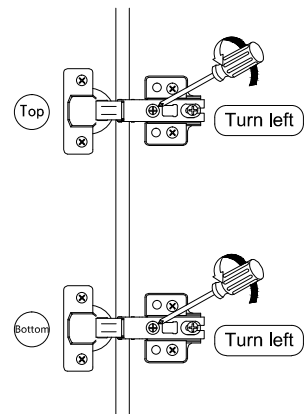
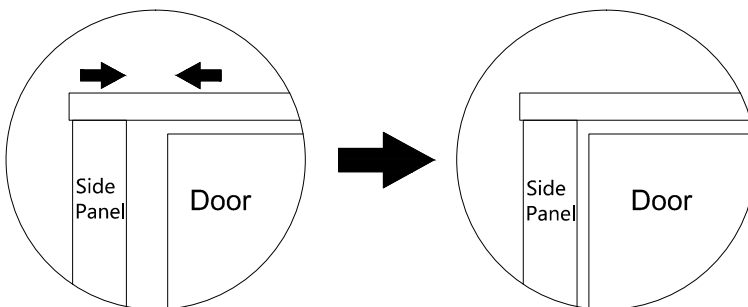
If the gap between the two doors is too large, follow the diagram.

11-E



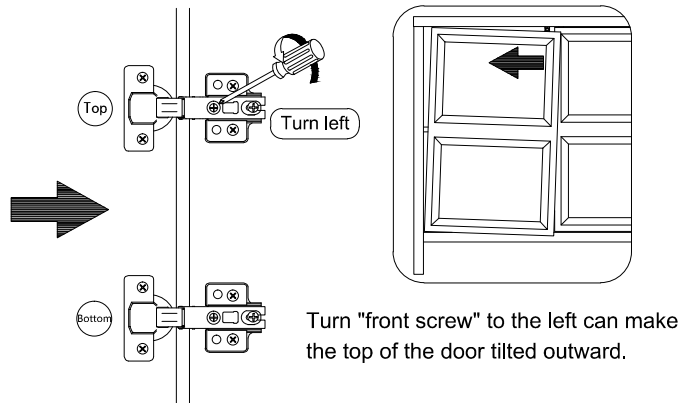
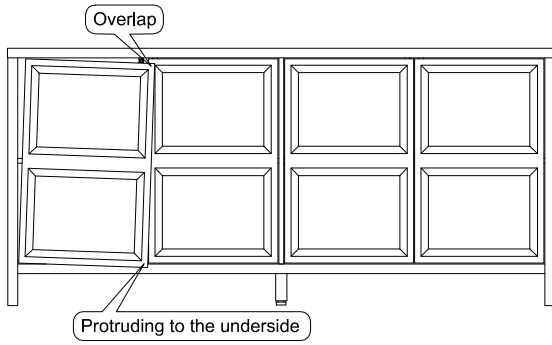
If the gap between the door and the side panel is too small, loose the front screw as shown.

11-F

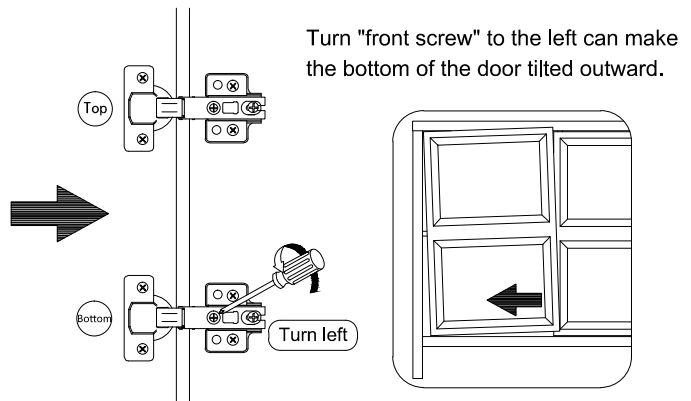
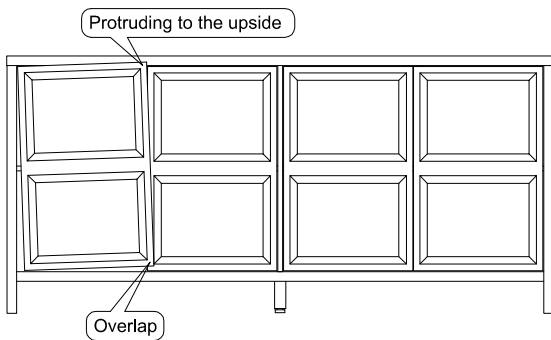


If the gap between the door and the side panel is too large, tighten the front screw as shown.

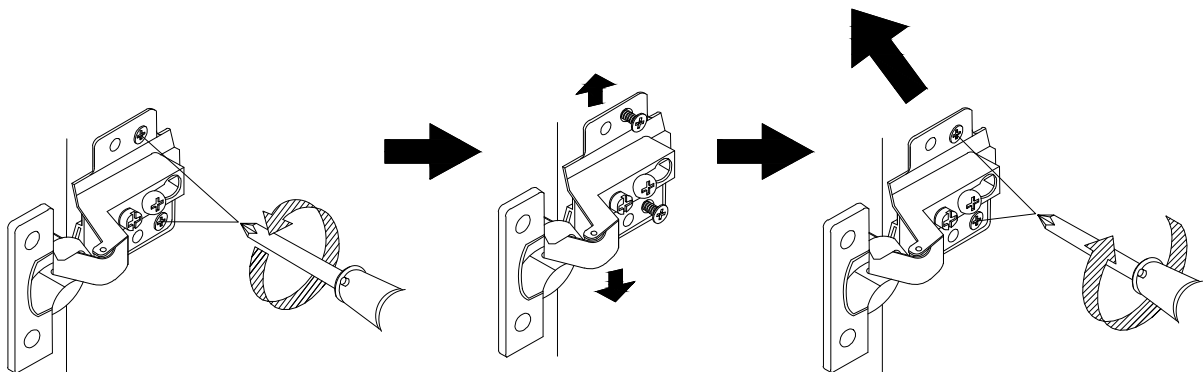
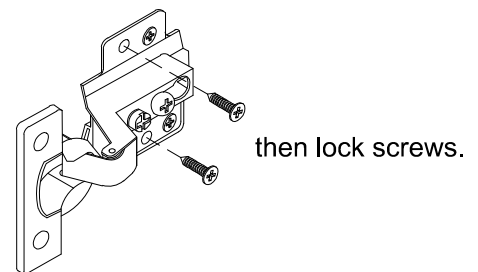
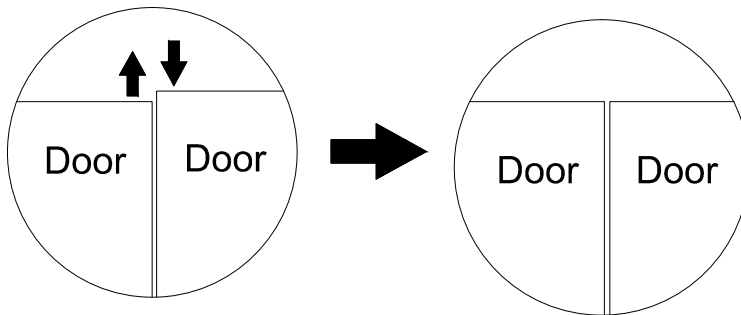
11-G. When door is leaning



11-H. When door is leaning

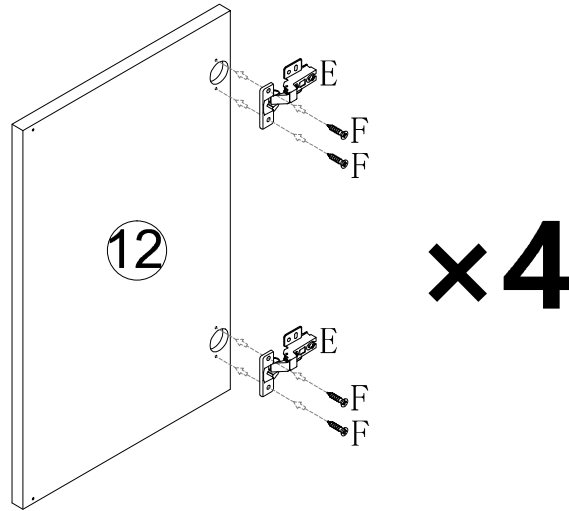



11-I. When the door is higher on top



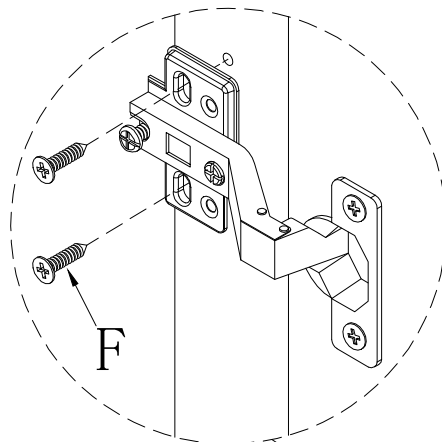
If the doors are not at the same level, loosen the rear screws on the hinge, adjust the door up or down, and then tighten the screws once both doors are aligned. Tighten the two front screws after everything is in place.

STEP 12

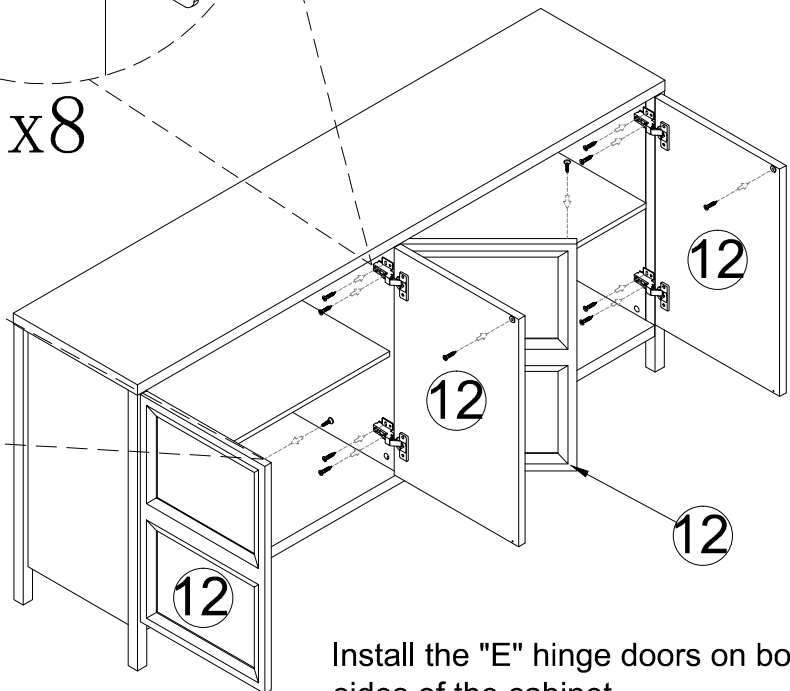
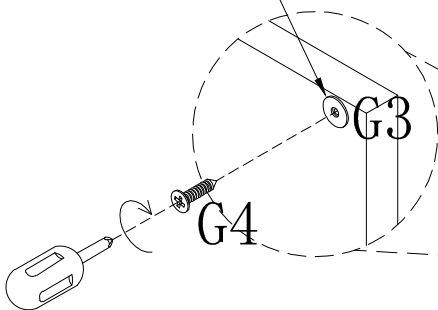


 Before installing the door panels, please study and read the following steps. For possible problems, we have given some suggestions to solve the problems you encounter.


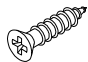


Please note that you need to distinguish the front and back when installing the metal plate.



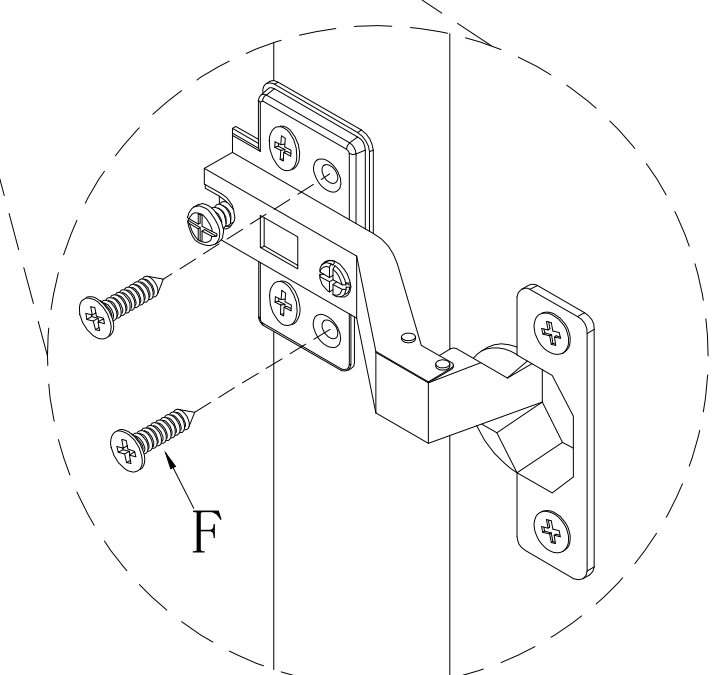
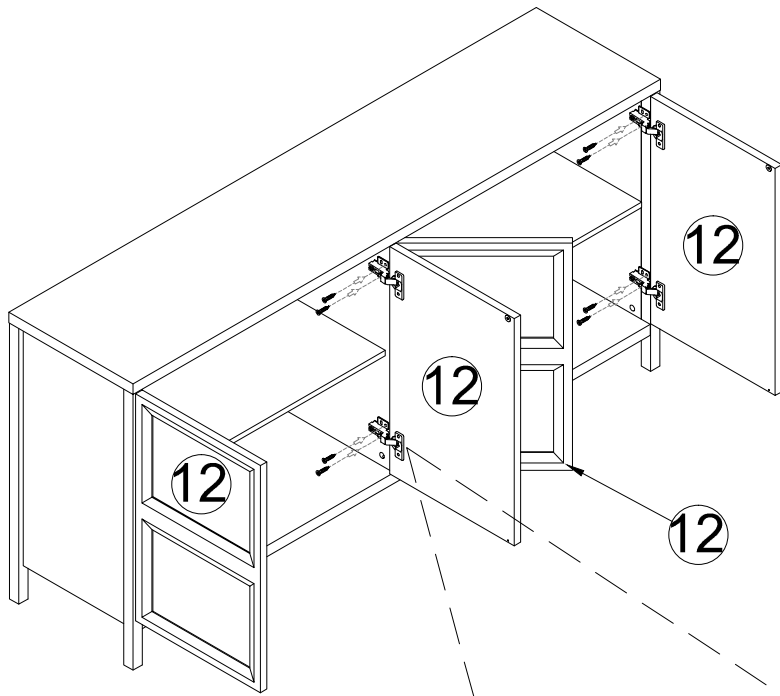
x8




Install the "E" hinge doors on both sides of the cabinet.

	E×8PCS
	F×32PCS
	G3×4PCS
	G4×4PCS

STEP 13



x8

 Tighten the screws when both doors are at the same level. Tighten the two front screws after everything is in place.

NOTE:

If there is a large gap in the installation of the door, you can return to page 15 or page 18 to view the installation video and installation tutorial.

