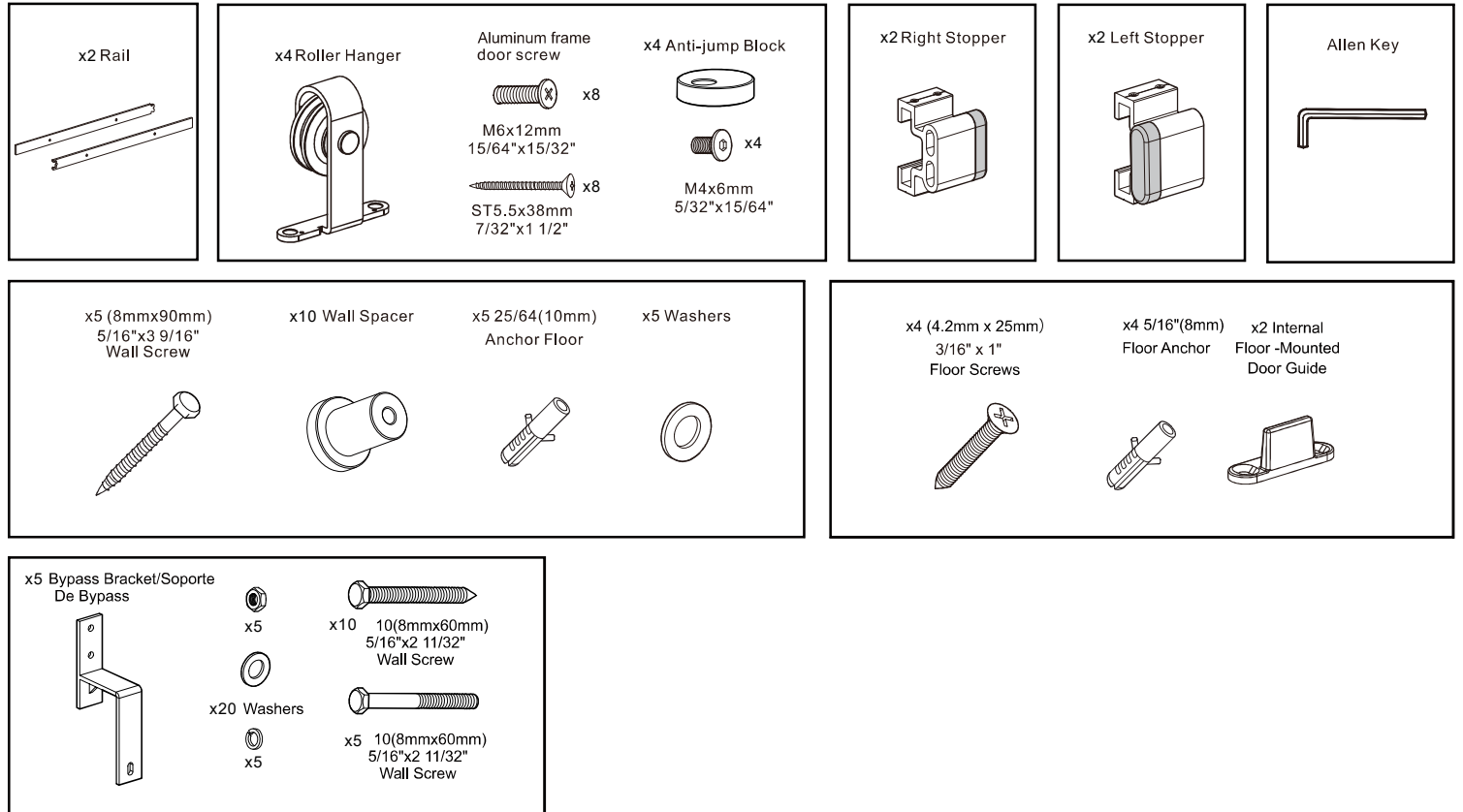


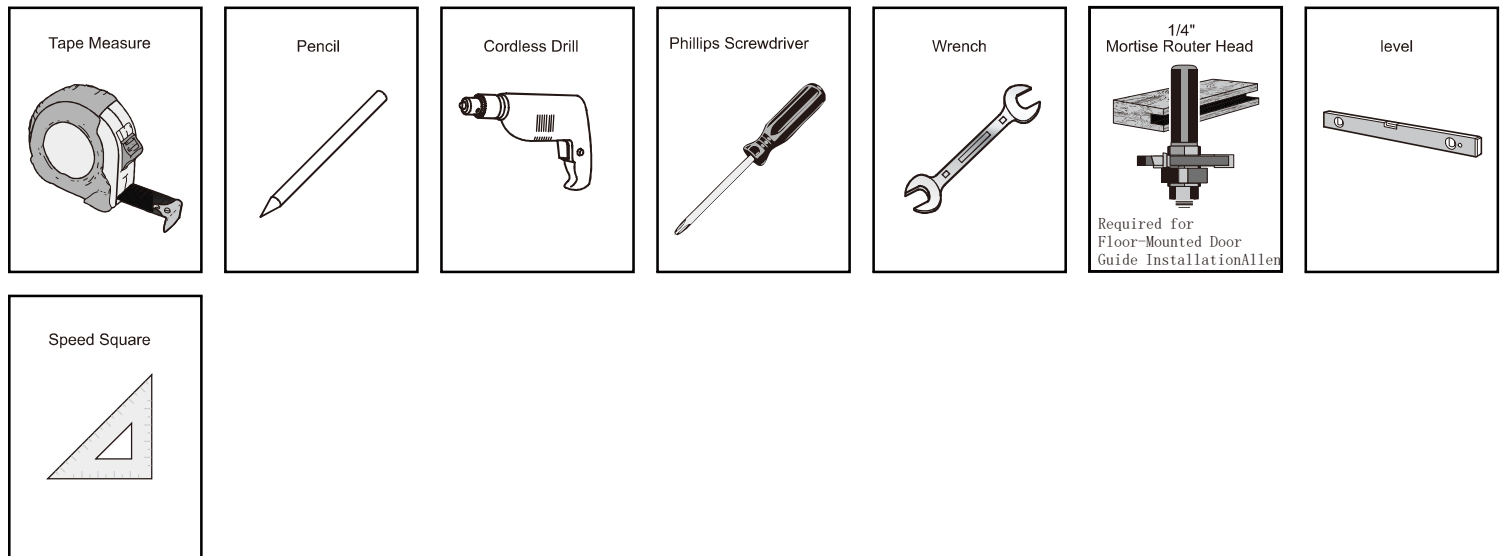
BARN DOOR HARDWARE KIT WF-KDA03-42INCHx2-BP INSTALLATION GUIDE

Main Components



To provide feedback on a particular part, please mark it by circling in the instruction manual and kindly send us a photo.

Tools Required

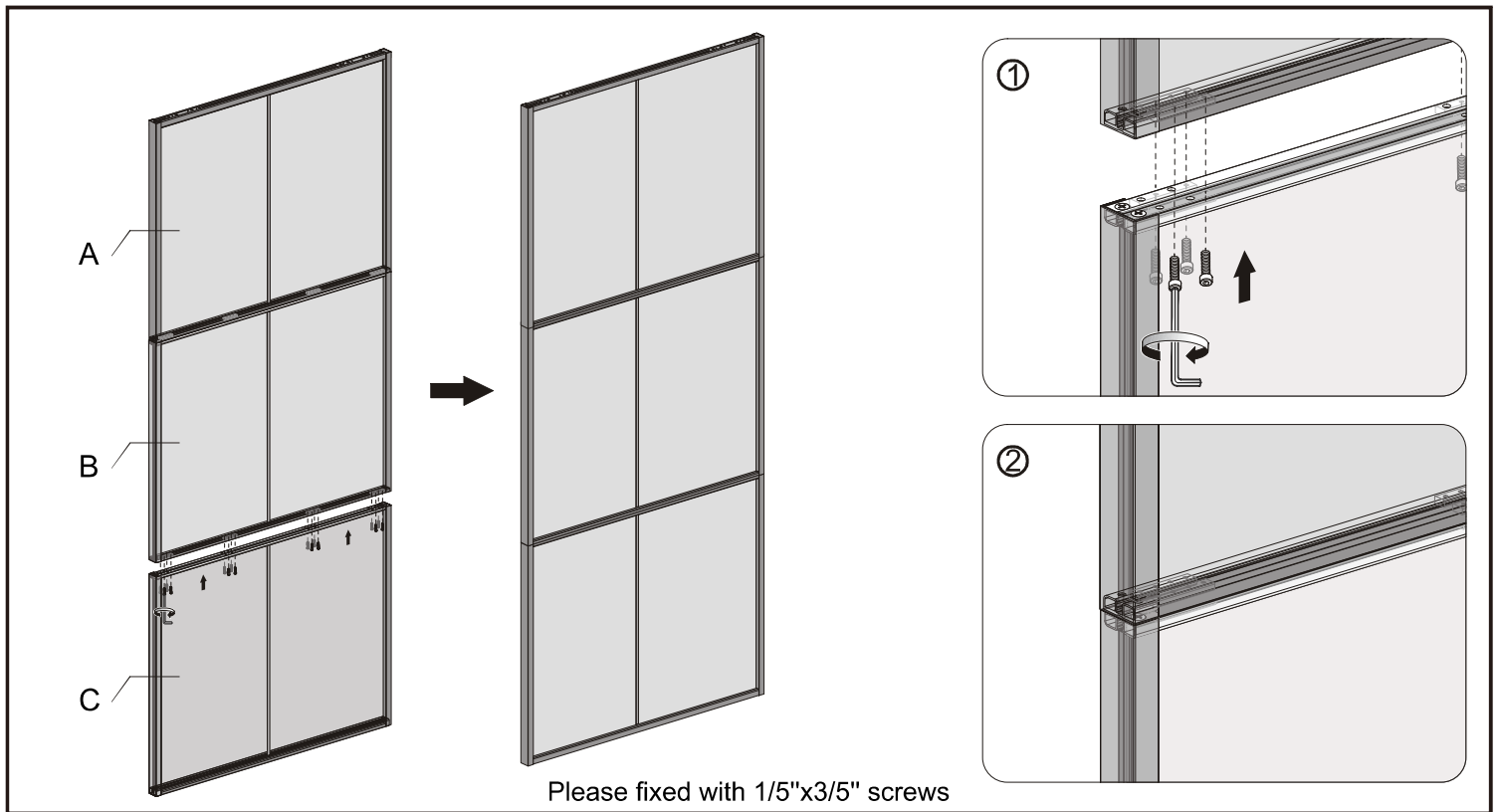
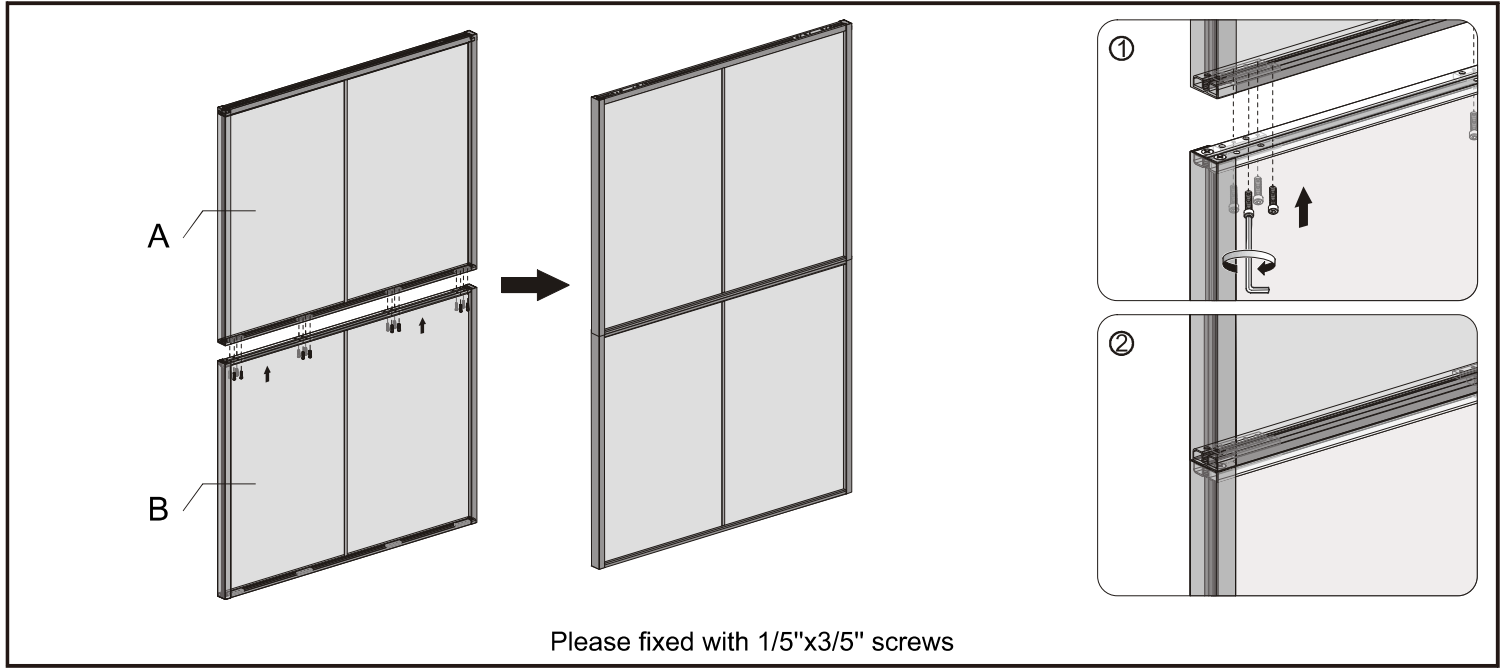


IMPORTANT: BEFORE YOU BEGIN

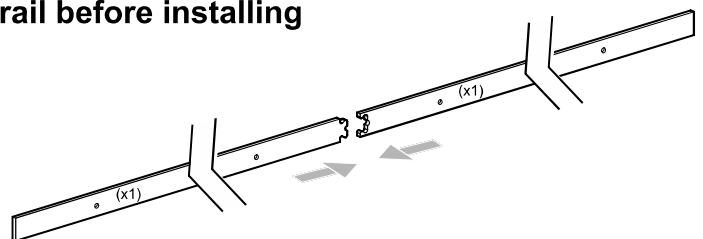
IF INSTALLING DIRECTLY INTO A NON-CONCRETE WALL, DO NOT ATTEMPT TO INSTALL THE RAIL SOLELY TO THE DRYWALL OR ANY WALL SURFACE AS THIS MAY NOT SUPPORT THE WEIGHT OF THE RAIL AND MOUNTED DOOR. THE RAIL MUST BE INSTALLED ONTO A PIECE OF SOLID WOOD BLOCKING (SOLD SEPARATELY) USING MOUNTING SCREWS (ALSO SOLD SEPARATELY). ENSURE THE SOLID WOOD BLOCKING IS SECURED INTO THE STRUCTURAL SURFACE. USE A STUD FINDER WHERE NECESSARY TO LOCATE STUDS AND SECURE SAFELY. TYPICAL SOLID WOOD BLOCKING SHOULD BE 81 3/4" x 5 1/2" x 7/8".

NOTE, SEPARATE BOLTS ARE PROVIDED FOR 13/8" DOORS AND LONGER BOLTS PROVIDED FOR 13/4" DOORS. IF INSTALLING WITH THE INTERNAL FLOOR-MOUNTED DOOR GUIDE, THE DOOR MUST BE MORTISED 1/4" WIDE X 3/4" DEEP CENTRALLY.

BARN DOOR HARDWARE KIT
WF-KDA03-42INCHx2-BP
INSTALLATION GUIDE

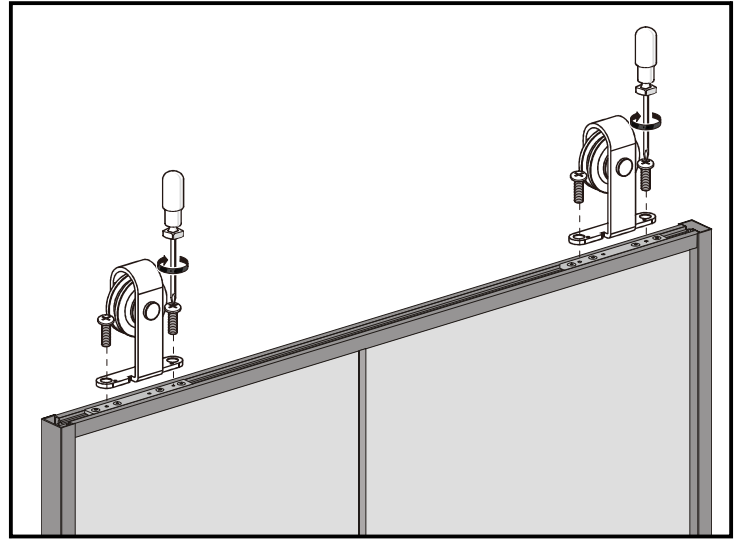


Kindly reminder: Connect the two pieces of the rail before installing



Step 1. Door Preparation – Strap Installation

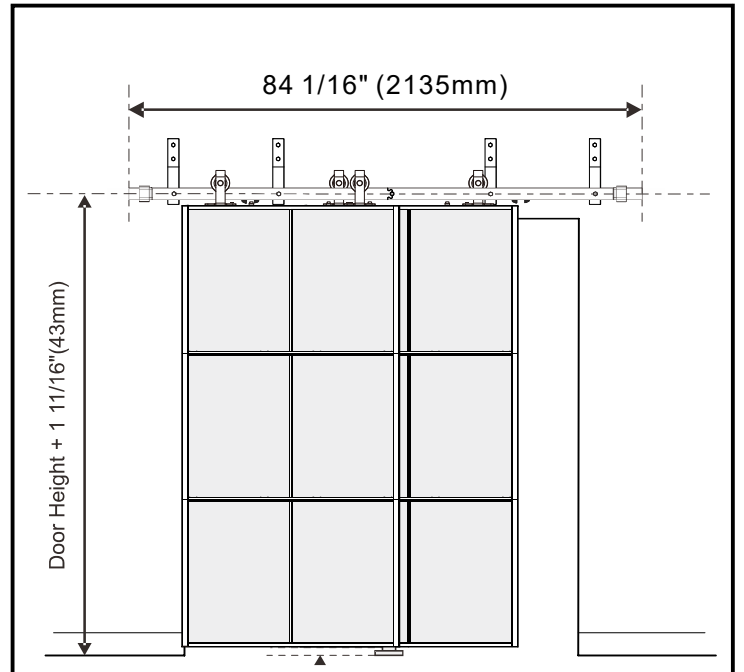
Install the rollers on the reserved hole of the top of door by 3/16"x15/32" screw.



Step 2. CONCRETE Wall Preparation1

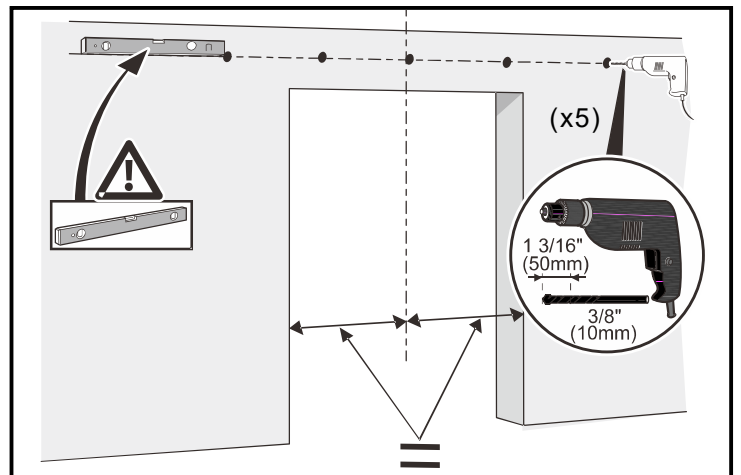
Position the rail by measuring up from the door height (H) + 1 11/16" to the centre of the track. Also ensure a gap of 3/8" - 1/2" at the bottom. Ensure the rail is level and leave a minimum of 2" from the end of the rail to the side of the opening.

If installing with an opening for 80" standard door size, remove the top trim and cut the side trim horizontally along the height of the opening.



Step 3. CONCRETE Wall Preparation2

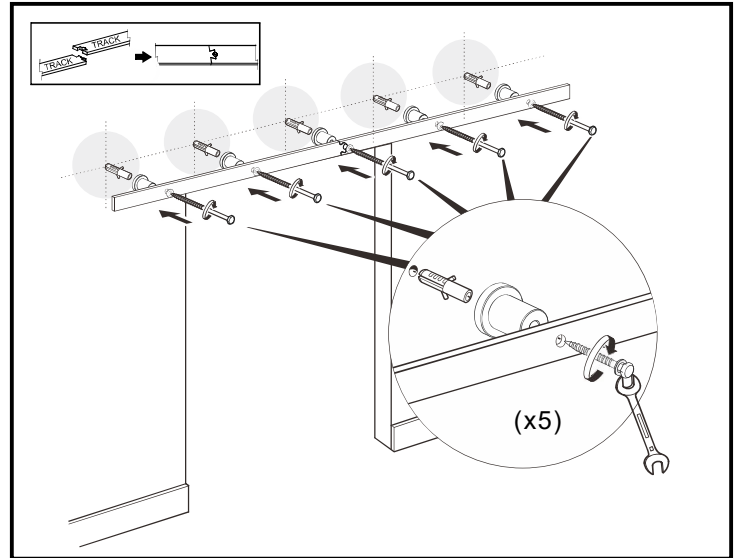
Position the rail in place ensuring that it is level, mark the holes on the rail using a pencil and pre-drill 3/8" holes into the concrete.



BARN DOOR HARDWARE KIT WF-KDA03-42INCHx2-BP INSTALLATION GUIDE

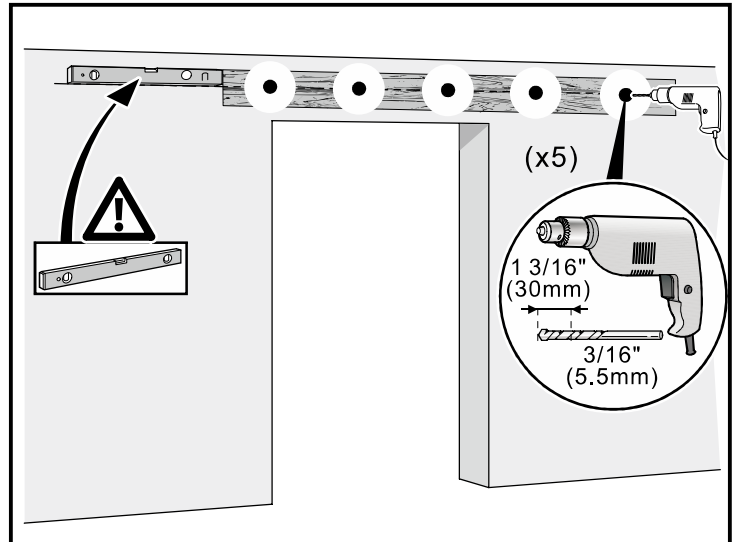
Step 4. CONCRETE Rail Installation

When installing directly into concrete, align the spacer to holes, insert using the provided anchors and hex bolts (with washers). Ensure to unscrew to separate the hex bolt and anchor to install correctly, securing with a wrench.



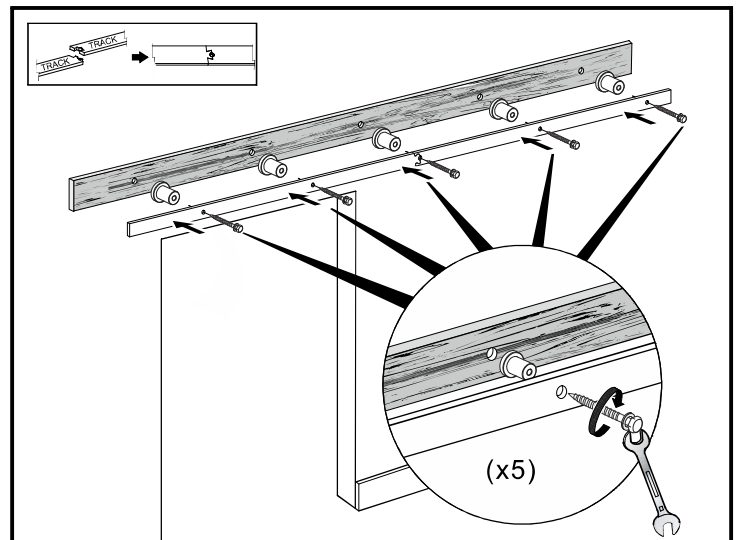
Step 5. DRYWALL Wall Preparation

Position the rail on top of the wood blocking ensuring levelness, mark the holes using a pencil and pre-drill $3/16$ " holes into the wood blocking.



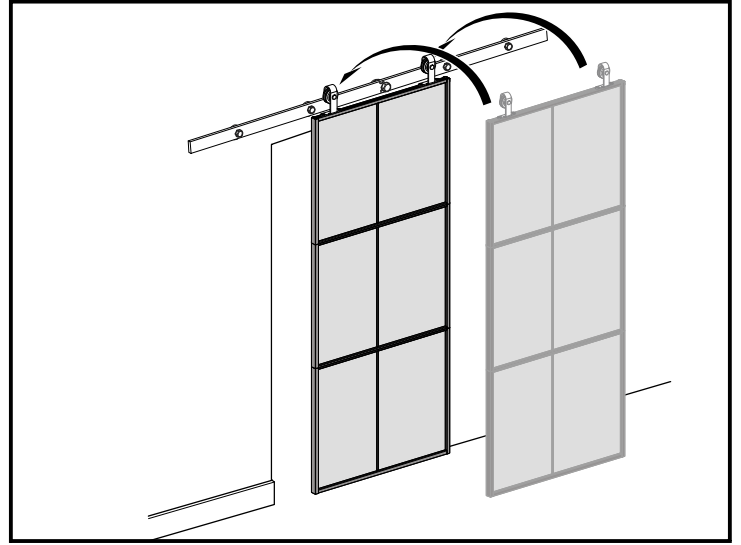
Step 6. DRYWALL Wall Installation

When installing into the solid wood block and wall, insert using the provided wall screws. Align each spacer to the rail holes, inserting screws (with washers), securing with a wrench.



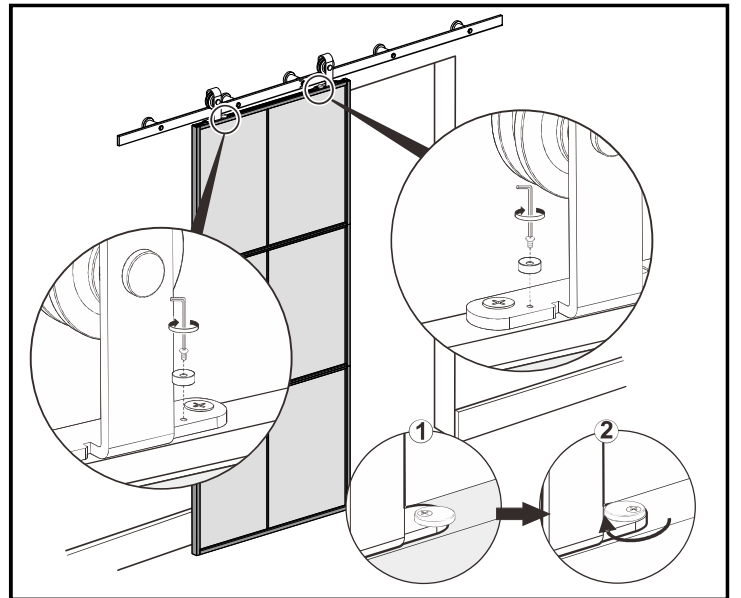
Step 7. Hanging the Door

Place the assembled door onto the secured rail and tighten



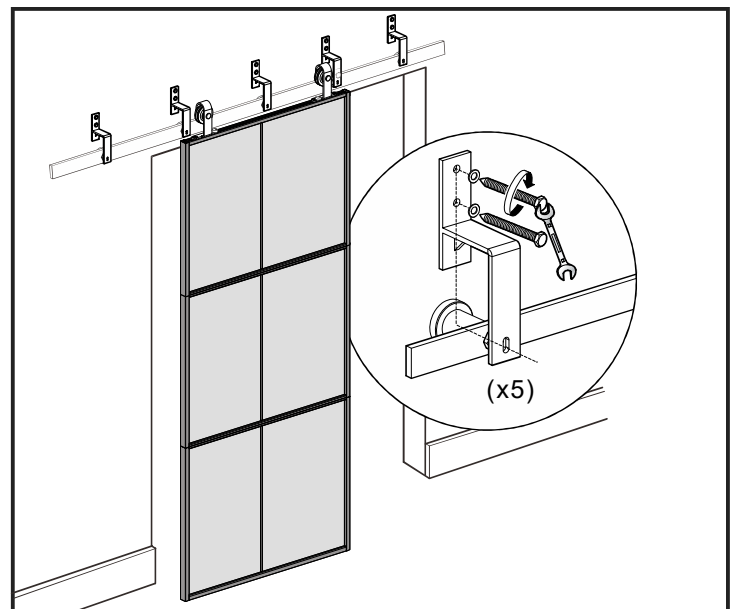
Step 8. Door Preparation-Anti-jump block Installation

Install the anti-jump on the rollers by 5/32" x15/64" screw to protect the door from touching the rail when sliding the door



Step 9.

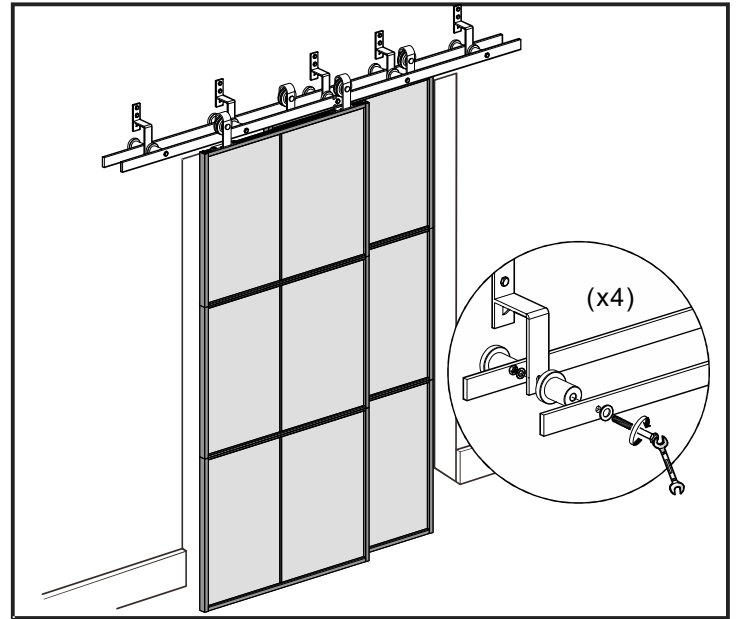
Drill 3/8" holes where the brackets will be installed



BARN DOOR HARDWARE KIT
WF-KDA03-42INCHx2-BP
INSTALLATION GUIDE

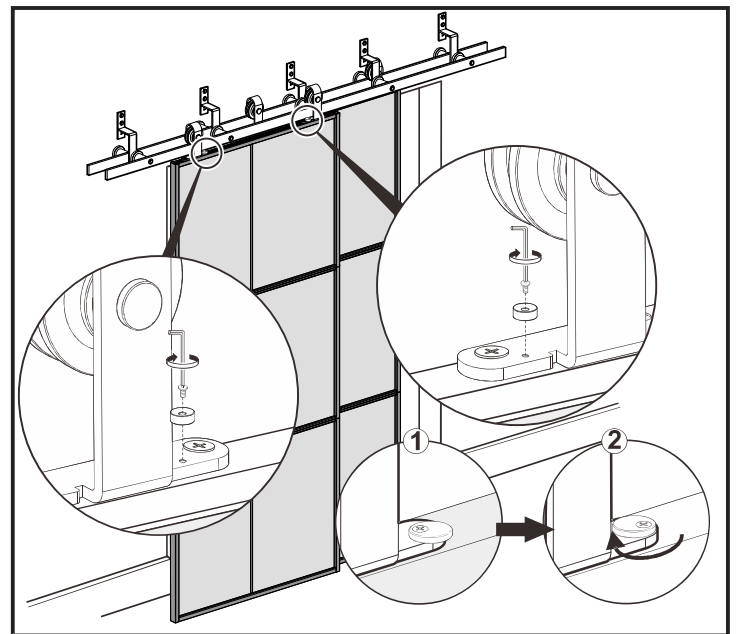
Step 10.

Drill 3/8" holes where the brackets will be installed



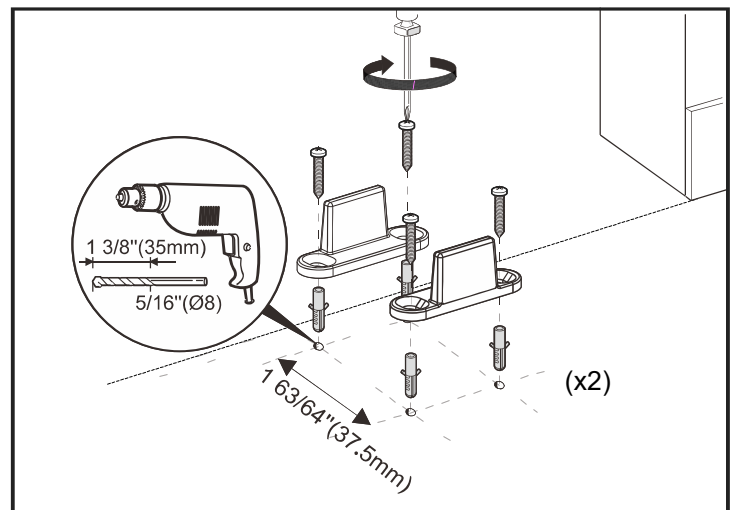
Step 11. Door Preparation - Anti-jump block Installation

Install the anti-jump on the rollers by 5/32" x 15/64" screw to protect the door from touching the rail when sliding the door.



Step 12. Floor-Mounted Door Guide Installation

Slide the door side-to-side to ensure functionality for final placement then mark holes with a pencil and pre-drill 5/16" holes. If drilling directly into a concrete floor, use the provided anchors.



BARN DOOR HARDWARE KIT
WF-KDA03-42INCHx2-BP
INSTALLATION GUIDE

Step 13. Stopper Installation

Slide the door closed and to correct position of both stoppers. Using the provided Allen key, tighten into position to complete the installation of the Barn Door Kit.

