



# BARN LIGHT ELECTRIC COMPANY

## INSTALLATION INSTRUCTIONS DUO STEM MOUNT

Thank you for purchasing from Barn Light Electric, America's leading manufacturer of hand-crafted shades and exclusive source for porcelain enamel lighting! For questions or concerns about your purchase, please contact us!

INS-0192 REV B

### IMPORTANT

Read all instructions before assembly. Installation is to be done by a qualified professional.

**IMPORTANT:** Please make sure to use suitable mounting hardware. *Example: "Ceiling fan rated junction box"*

**CAUTION:** Risk of fire, this product must be installed in accordance with the applicable installation code by a person familiar with the construction and operation of the product and the hazards involved

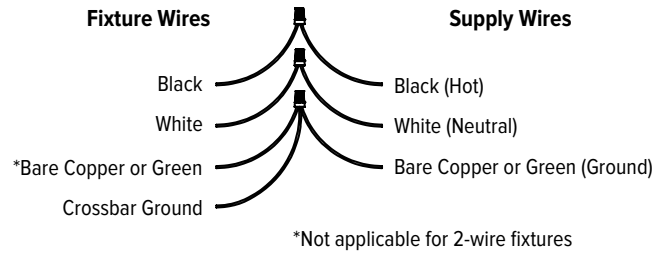
**\*IMPORTANT:** Mounting screws not included in hardware kit due to the many types of possible junction boxes. Standard screw sizes include: 6-32, 8-32, 10-24 and 10-32.

**NO RETURNS OR REFUNDS FOR ITEMS THAT HAVE BEEN INSTALLED OR ALTERED.**

### INSTRUCTIONS

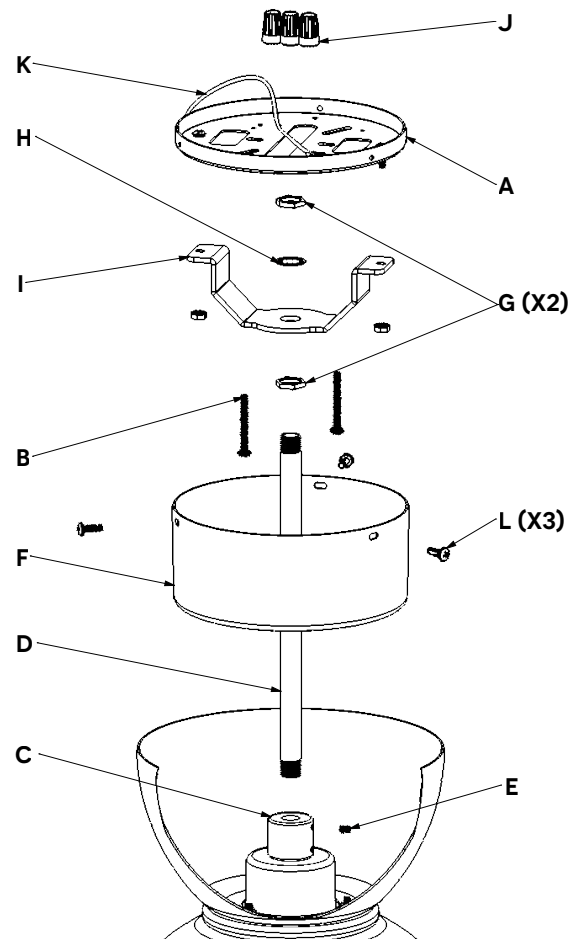
1. Disconnect power at the electrical panel before installation. **NOTE: Use 75°C minimum supply conductors.**
2. Secure Adapter Plate (A) to the junction box using Mounting Screws (B\*). **NOTE: Mounting Screws (B\*) not included.**
3. Feed wires from the Fixture (C) through the Stem (D).
4. Screw Stem (D) into the Fixture (C) and secure with Set Screw (E).
5. Feed wires from the Stem (D) through the Canopy (F), Nuts (G), Lock Washer (H) and Bracket (I).
6. Slip Canopy (F) onto the Stem (D) and secure the Stem (D) onto the Bracket (I) using the two Nuts (G) and Lock Washer (H).
7. Trim wires to length.
8. Use wiring diagram and Wire Nuts (J) to connect power supply to the black wire and neutral wire.
9. Use Wire Nuts (J) to attach the Ground Wire (K) to the green wire or bare wire of the junction box.
10. Fit the Canopy (F) over the Adapter Plate (A). Align holes in the Canopy (F) and Adapter Plate (A). Install the three Screws (L) provided.

### WIRING DIAGRAM



### DUO STEM MOUNT

- |                      |                       |
|----------------------|-----------------------|
| A. Adapter Plate     | G. Nut (x2)           |
| B. Mounting Screws * | H. Lock Washer        |
| C. Fixture           | I. Bracket            |
| D. Stem              | J. Wire Nuts          |
| E. Set Screw         | K. Ground Wire        |
| F. Canopy            | L. Canopy Screws (x3) |



**\*IMPORTANT:** Mounting screws not included in hardware kit. Standard screw sizes include: 6-32, 8-32, 10-24 and 10-32.