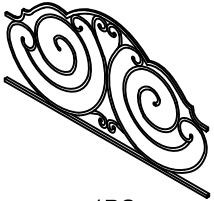


ASSEMBLY INSTRUCTION

A Headboard Panel



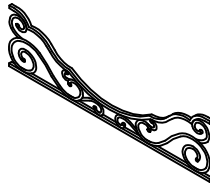
1PC

B Headboard Poster



2PCS

C Footboard Panel



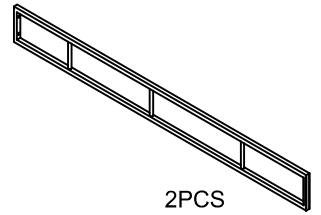
1PC

D Footboard Poster



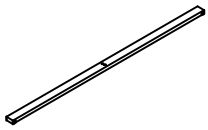
2PCS

E Side Rail



2PCS

F Slat



3PCS

G Support Leg



3PCS

H Finial



4PCS

I Mounting Plate



2PCS

J Bolt
 $\phi 5/16" \times 1-3/4"$



8PCS

K Lock Washer
 $\phi 5/16"$



8PCS

L Flat Washer
 $\phi 5/16" \times \phi 3/4"$



8PCS

M Plastic Washer
 $\phi 5/16"$



12PCS

N Bolt
 $\phi 1/4" \times 5/8"$



8PCS

O Lock Washer
 $\phi 1/4"$



16PCS

P Flat Washer
 $\phi 1/4"$



16PCS

Q Sunk Bolt
 $\phi 1/4" \times 1-3/4"$



6PCS

R Bolt
 $\phi 1/4" \times 1-1/4"$



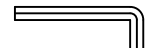
4PCS

S Nut
 $\phi 1/4"$



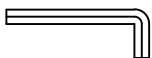
4PCS

T Allen Wrench
 4mm



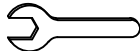
1PC

U Allen Wrench
 5mm

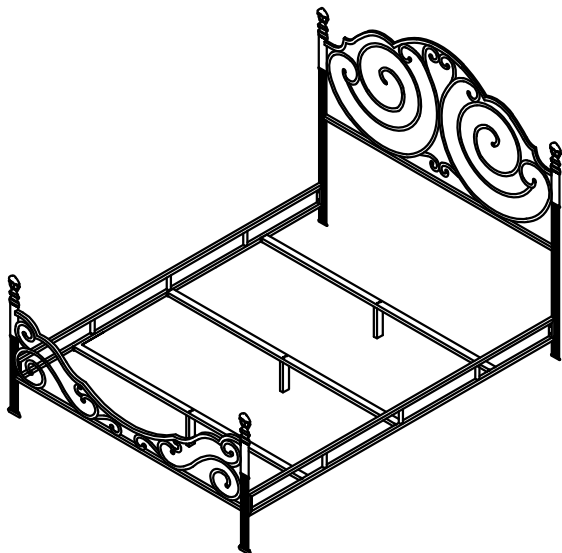


1PC

V Open Wrench
 $\phi 1/4"$

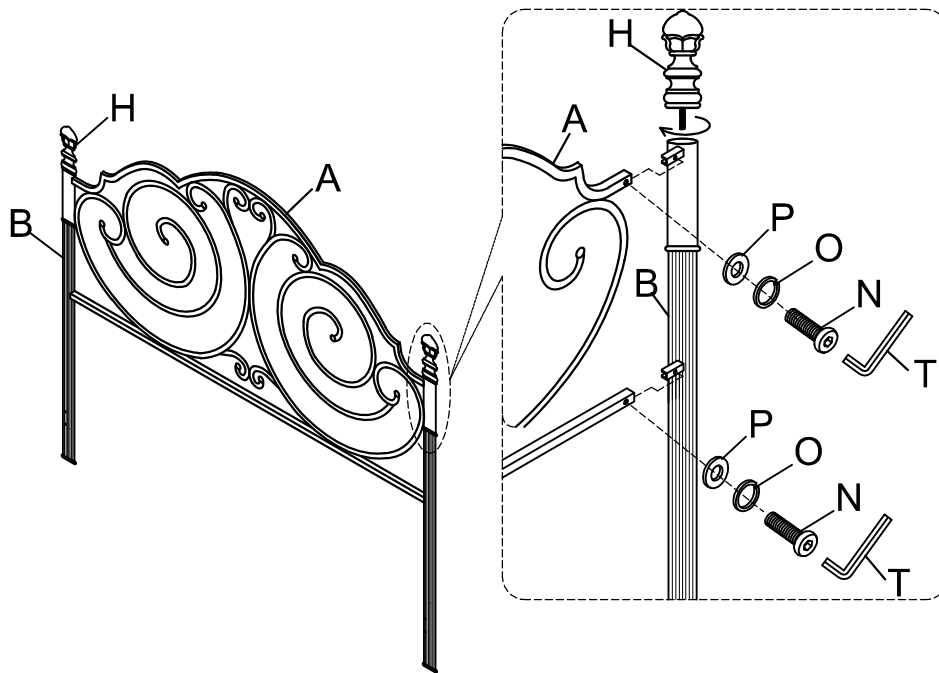


1PC

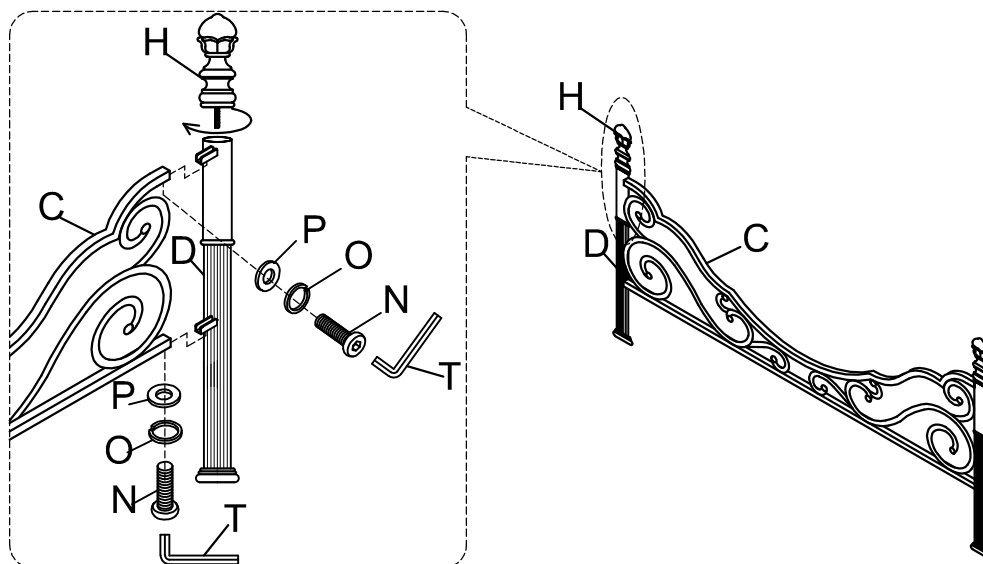


This page lists all the contents included in the box. Please take the time to identify the hardware as well as the individual components to this product. As you unpack and prepare for assembly, place the contents on a carpeted or padded area to protect them from damage.

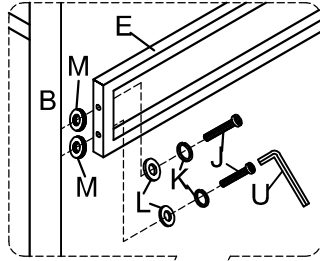
- 1** Use the Bolt (N) with the Locker Washer (O) and Flat Washer (P) to tighten the Headboard Panel (A) with the Headboard Post (B) by 4mm Allen Wrench (T). Directly screw the Finial (H) onto the Headboard Post (B).



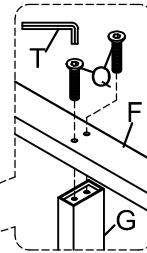
- 2** Use the Bolts (N) with the Locker Washer (O) and Flat Washer (P) to tighten the Footboard Panel (C) with the Footboard Post (D) by 4mm Allen Wrench (T). Directly screw the Finial (H) onto the Footboard Post (D).



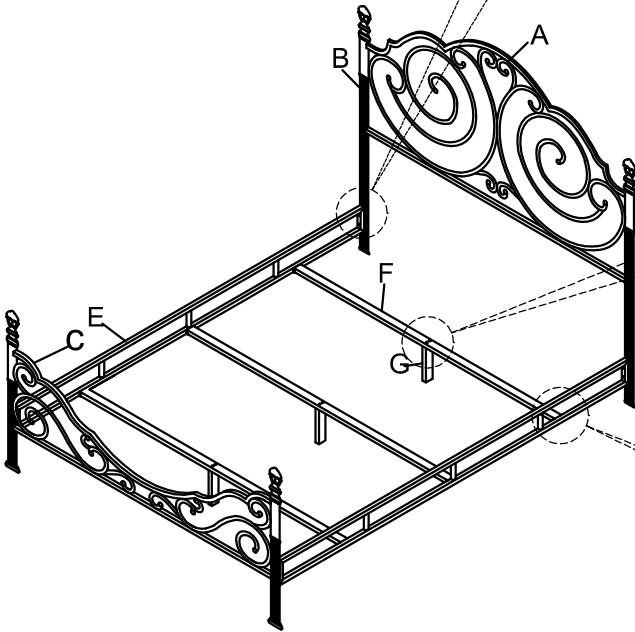
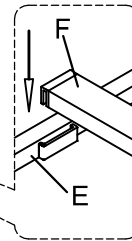
3 Use Bolt(J) with Lock Washer(K), Flat Washer(L), and Plastic Washer(M) to connect Side Rail(E) onto Headboard(A) and Footboard Panel(C), by 5mm Allen Wrench(U).



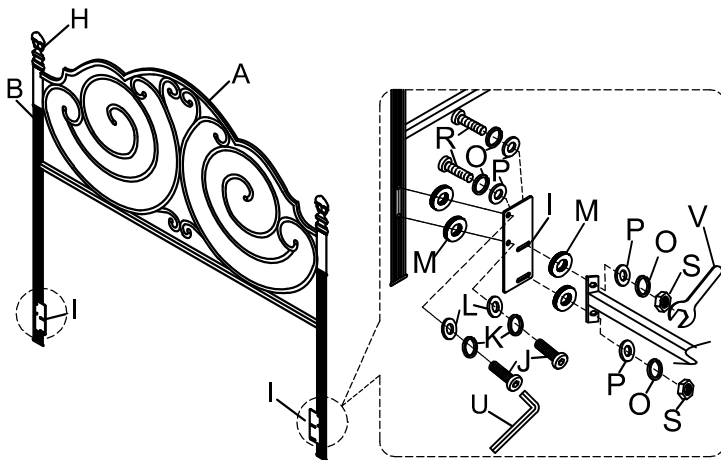
4 Use Sunk Bolt(Q) to tighten the Support Leg (G) onto Slat(F), by 4mm Allen Wrench(T).



5 Make sure the Slat(F) are properly tenoned onto Side Rail (E).



Remark: The mounting plate(s) are only to be used if you have your own standard side rail frame(s).



Steps:

Use Bolt(J) with Lock Washer(K), Flat Washer(L), and Plastic Washer(M) to connect Mounting Plate(I) onto Headboard Panel(A), by 5mm Allen Wrench(U).

Then, use the Bolt(R) with the Locker Washer(O), Flat Washer(P), Plastic Washer(M), and Flat Washer(P), Locker Washer(O), Nut(S) to tighten the Side Rail(E) with the Mounting Plate(I) by Open Wrench(V)

Cleaning & Care

Treat surface with care. Surface is resistant to scratches but is not scratch resistant. Clean surfaces with a dry or damp soft cloth. Do not use abrasive cleaners. Hardware may loosen over time. Periodically check that all connections are tight.