












# ASSEMBLY INSTRUCTIONS

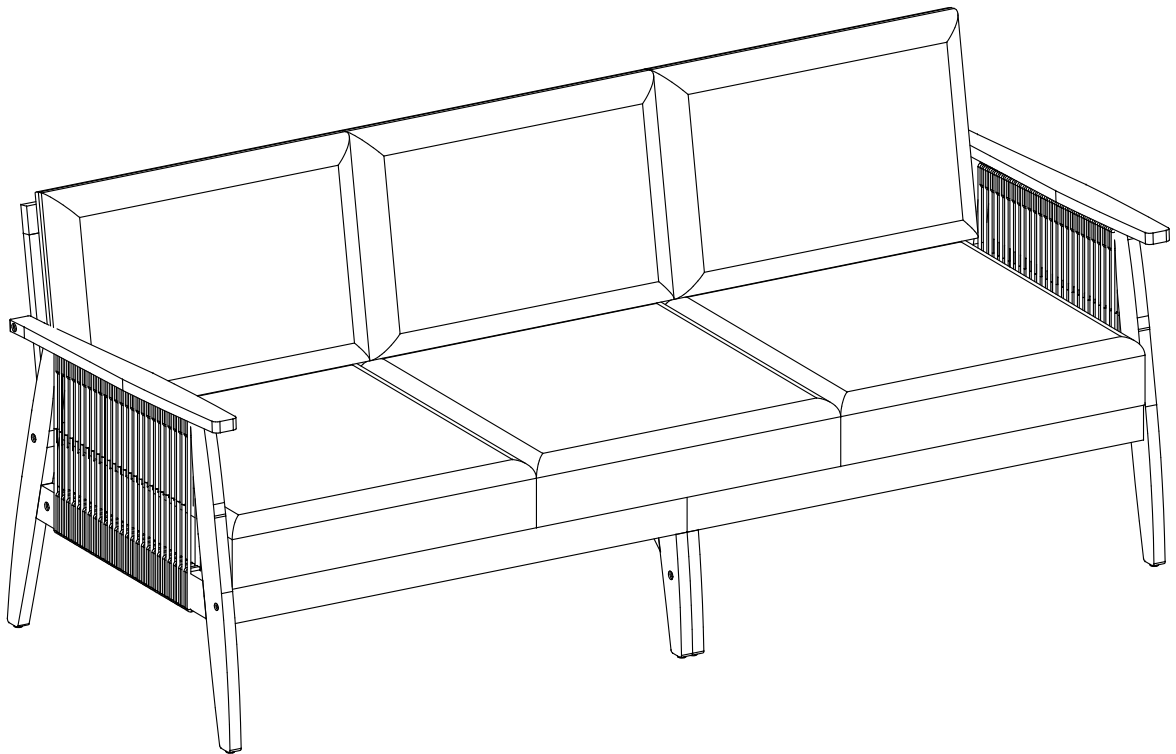
**CAUTION :** You must read this before you proceed.

## Care & maintenance:

- ⊘  • Not for commercial use. For residential use only .
- ⊘  • Prolonged exposure to rain may cause rusting which can stain floors.
- ⊘  • Do not put hot items directly on furniture surface.
- ⊘  • Do not clean furniture with harsh cleansers or polish.
- ✓  • To obtain the longest lifespan of your outdoor products, minimizing exposure to direct sunlight is recommended.
- ⊘  • Children should not climb or jump on the furniture.
- ⊘  • Do not write on furniture without a padded barrier to protect the surface.
- ✓  • To obtain the longest lifespan of your outdoor products, avoid extended and lengthy exposure to rain, snow, and direct sunshine. whenever possible cover the product and/or place under patio or awnings.
- ⊘  • Stains may be removed with mild soap solution and damp cloth.
- ⊘  • Keep away from sources of ignition.
- ✓  • Dust and pick-up spills using a clean, non-colored, lint-free cloth.

Please look underneath the Seat Panel for hardware packs.

## BENCH 3 SEATERS





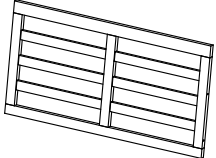
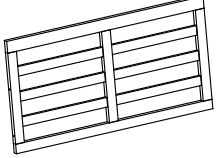
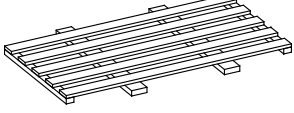
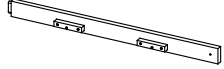
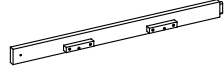
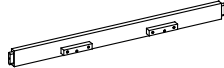
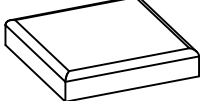
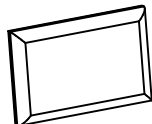


**CAUTION:** This Bench is NOT a TOY.


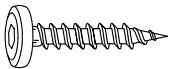
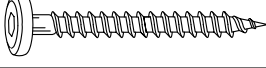
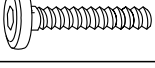
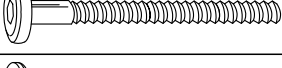

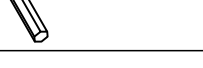

Keep your child / children at bay during the assembly process.

Whenever lifting or moving the Bench and to prevent any damage to it, two adults may be needed to execute these actions.

**Part List.**

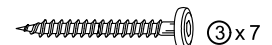
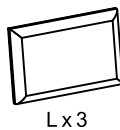
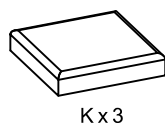
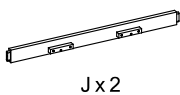
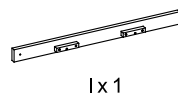
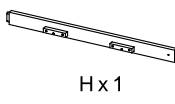
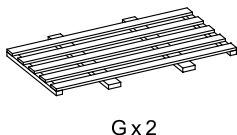
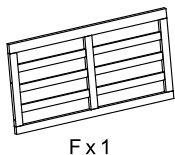
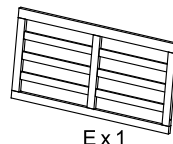
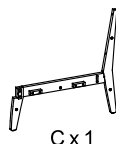
Label	Pictures	Description	QTY
A		Right Leg Panel	1
B		Left Leg Panel	1
C		Right Middle Leg Panel	1
D		Left Middle Leg Panel	1
E		Right Backrest Panel	1
F		Left Backrest Panel	1
G		Seat Panel	2
H		Right Front Support Bar	1
I		Left Front Support Bar	1
J		Back Support Bar	2
K		Seat Cushion	3
L		Back Cushion	3

## Hardware List:

Label	Pictures	Description	QTY
①		Screws (M4x30mm)	9
②		Screws (M6x35mm)	5
③		Screws (M6x60mm)	7
④		Bolts (M6x35mm)	9
⑤		Bolts (M6x65mm)	3
⑥		Sleeve nuts (M6x15mm)	5
⑦		Allen Wrench (M4)	2
⑧		Screw Driver	Not provided

## Assembly Preparation.

Before Beginning Assembly:



- Read instructions, cover to cover.



- Have 2 adults on hand for assembly.



- Do not assemble on flooring or carpet.



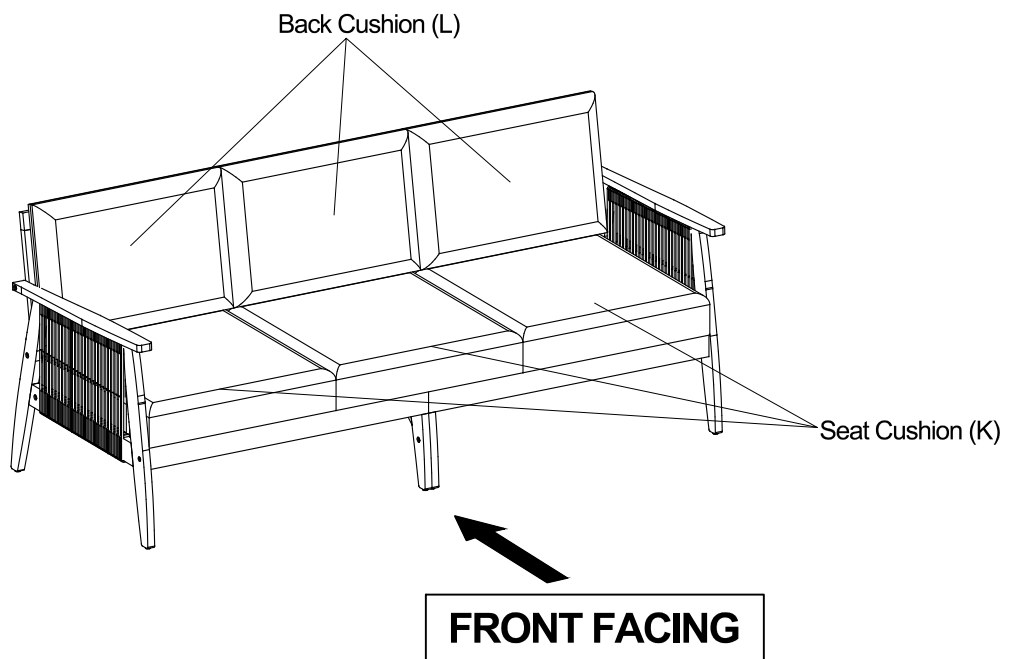
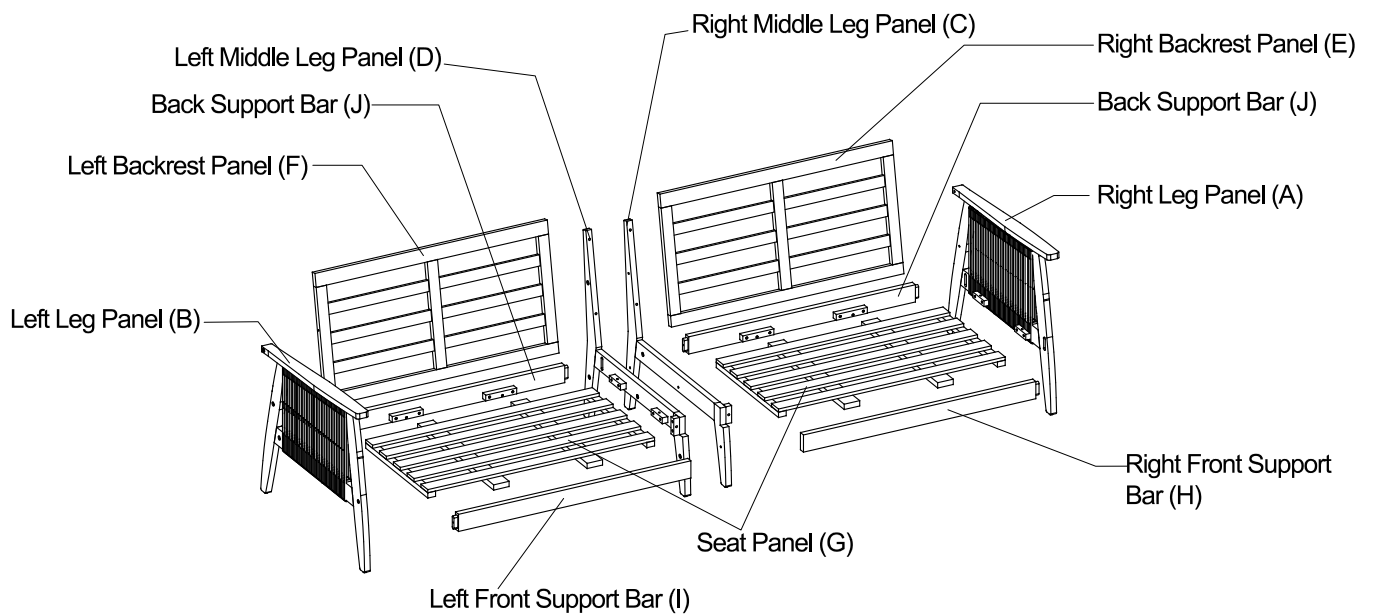
- Assemble on a clean non-marring surface (packing foam).



- Save all packaging until finished.

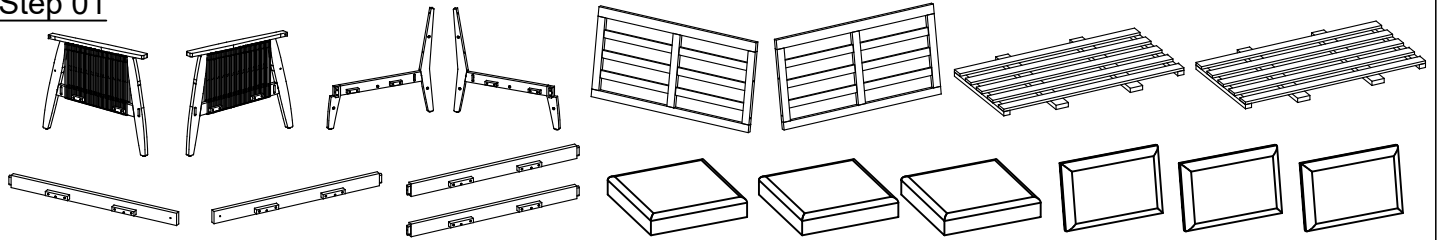
## Assembly Steps.

### Overview:



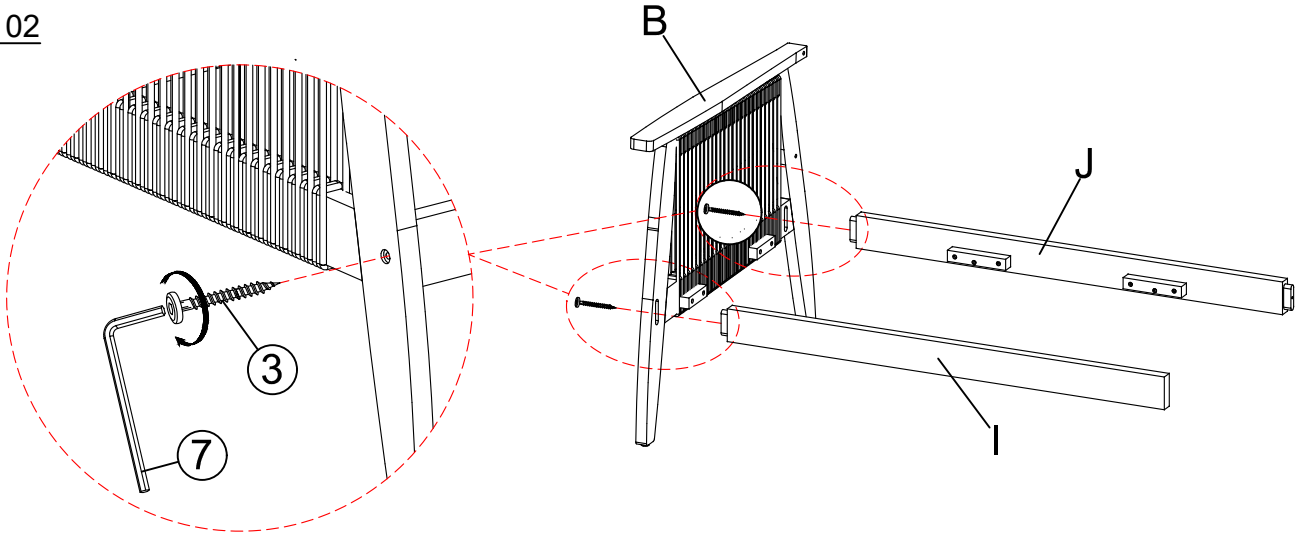
This Bench has multiple parts and may require up to 60 minutes to assemble. To give you an overview of the Bench parts, the above picture is provided to help you put the various parts into perspective. Please read through the instructions below to familiarise yourself with the parts and steps before assembly.

### Step 01



Unpack and place all parts on a clean, non-marring surface

### Step 02

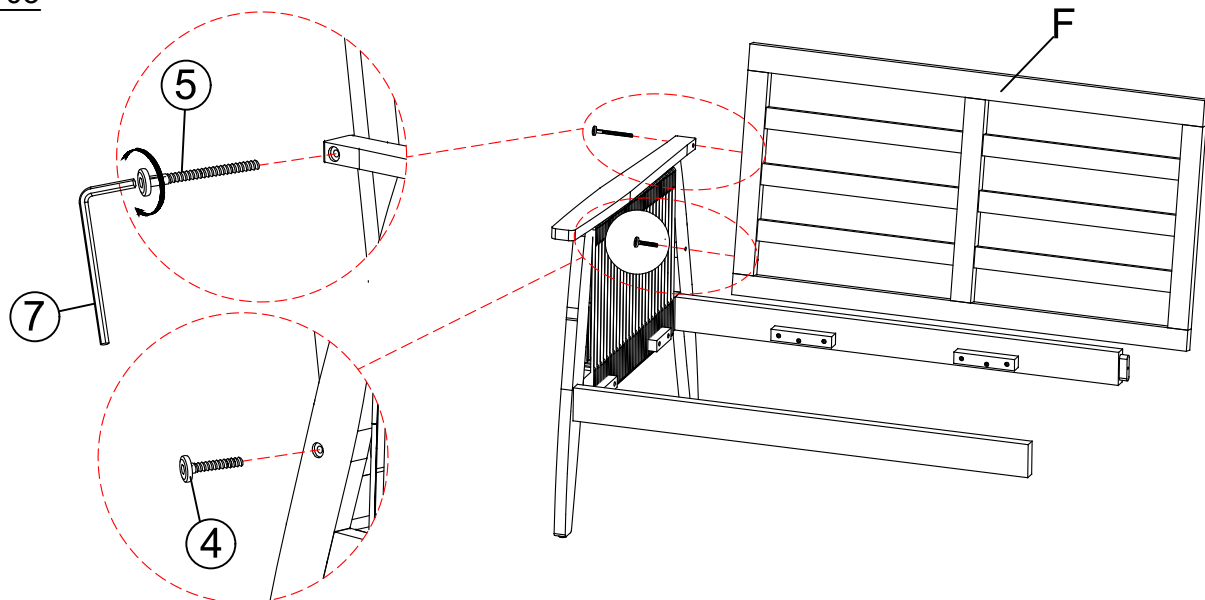


Place the Left Leg Panel (B) upright as shown in the picture above onto a clean, soft surface to avoid any scratches or damage to the product.

With assistance from your adult partner(s), attach the Left Front Support Bar (I) and the Back Support Bar (J) to the Left Leg Panel (B) by using 02pcs of Screws (3), and the Allen Wrench (7) as shown above.

**Do not fully tighten the Screws at this time.**

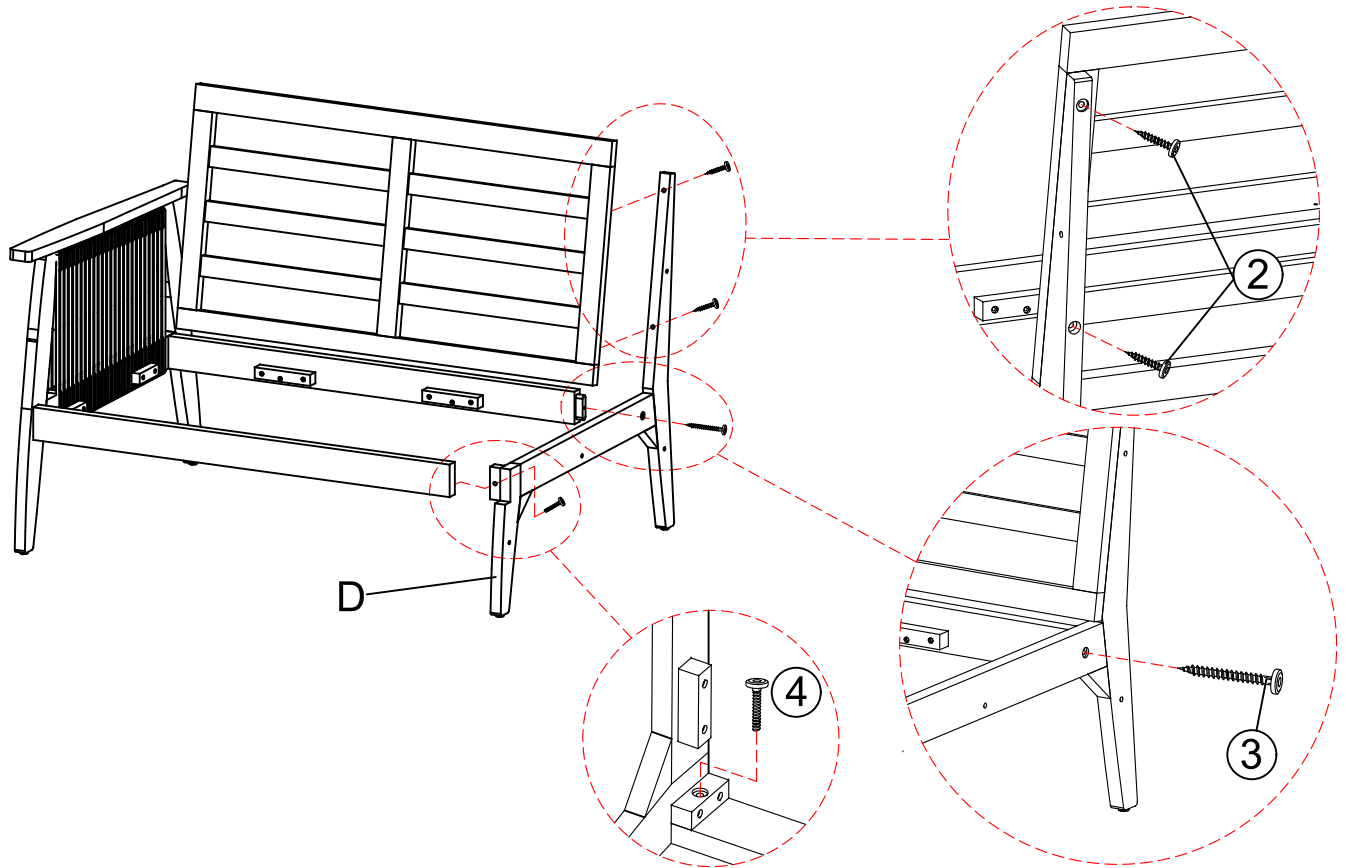
### Step 03



With assistance from your adult partner(s), attach the Left Backrest Panel (F) to the assembled parts in Step 02 by using 01pc of Bolt (4), 1pc of Bolt (5) and the Allen Wrench (7) as shown above.

**Do not fully tighten the Bolts at this time.**

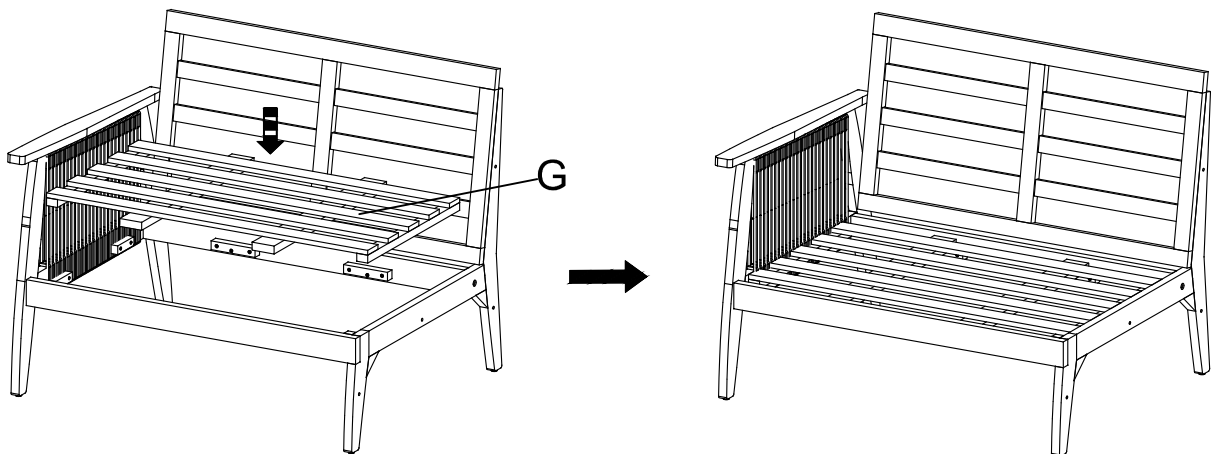
## Step 04



With assistance from your adult partner(s), attach the Left Middle Leg Panel (D) to the assembled parts in Step 03 by using 02pcs of Screws (2), 01pc of Screw (3), 01pc of Bolt (4) and the Allen Wrench (7) as shown above.

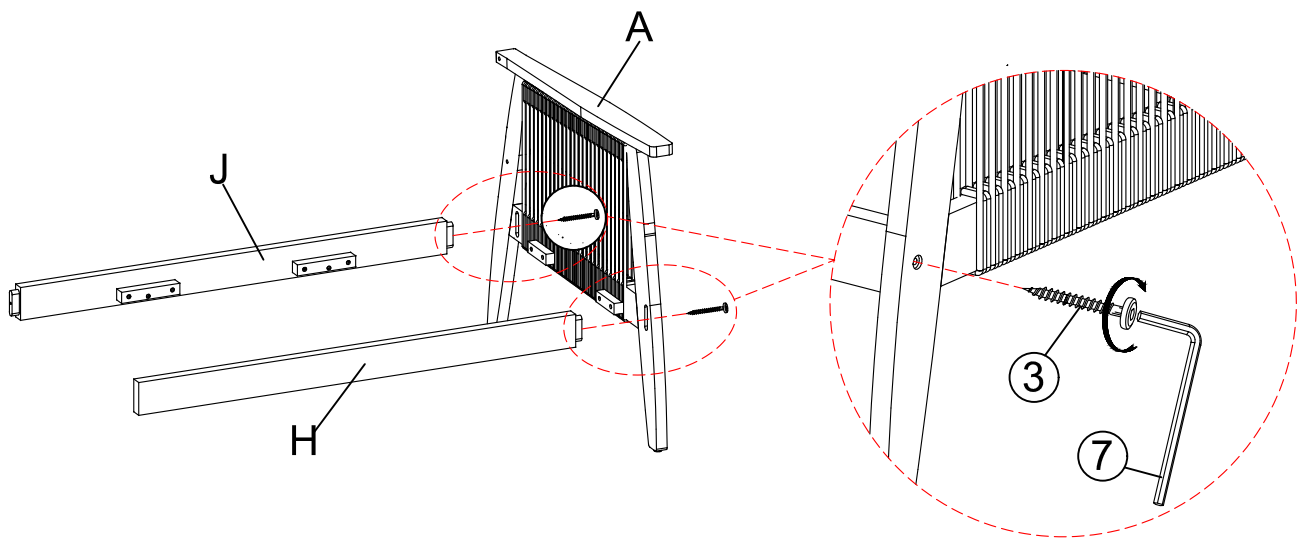
**Do not fully tighten the Screws and Bolts at this time.**

## Step 05



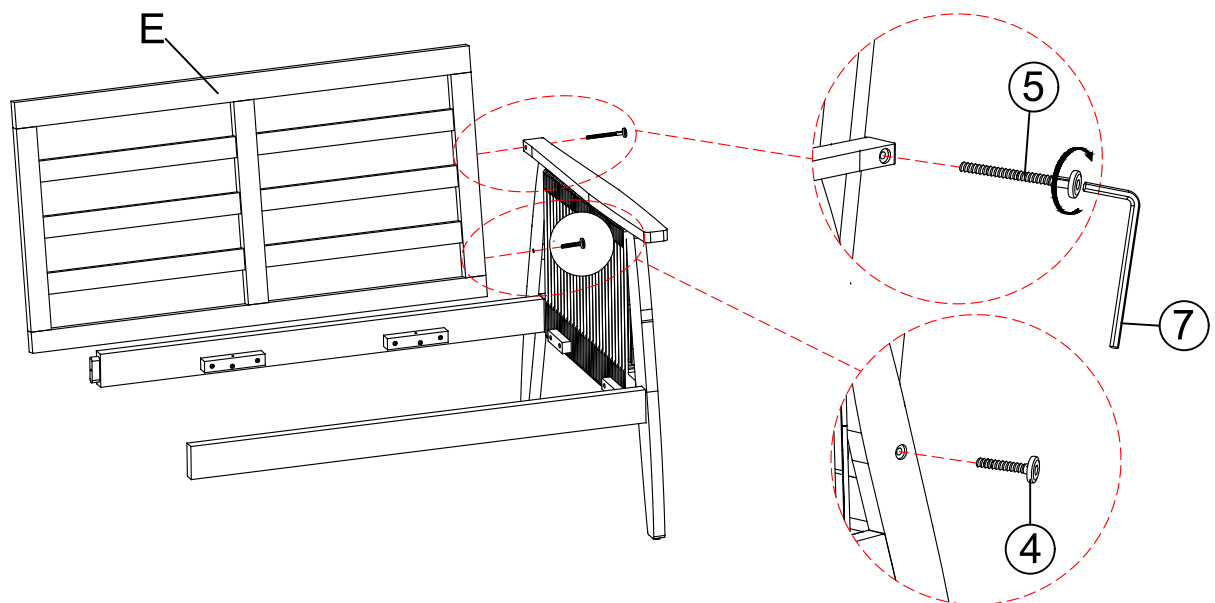
Attach the Seat Panel (G) into the assembled parts in step 04 as shown above.

### Step 06



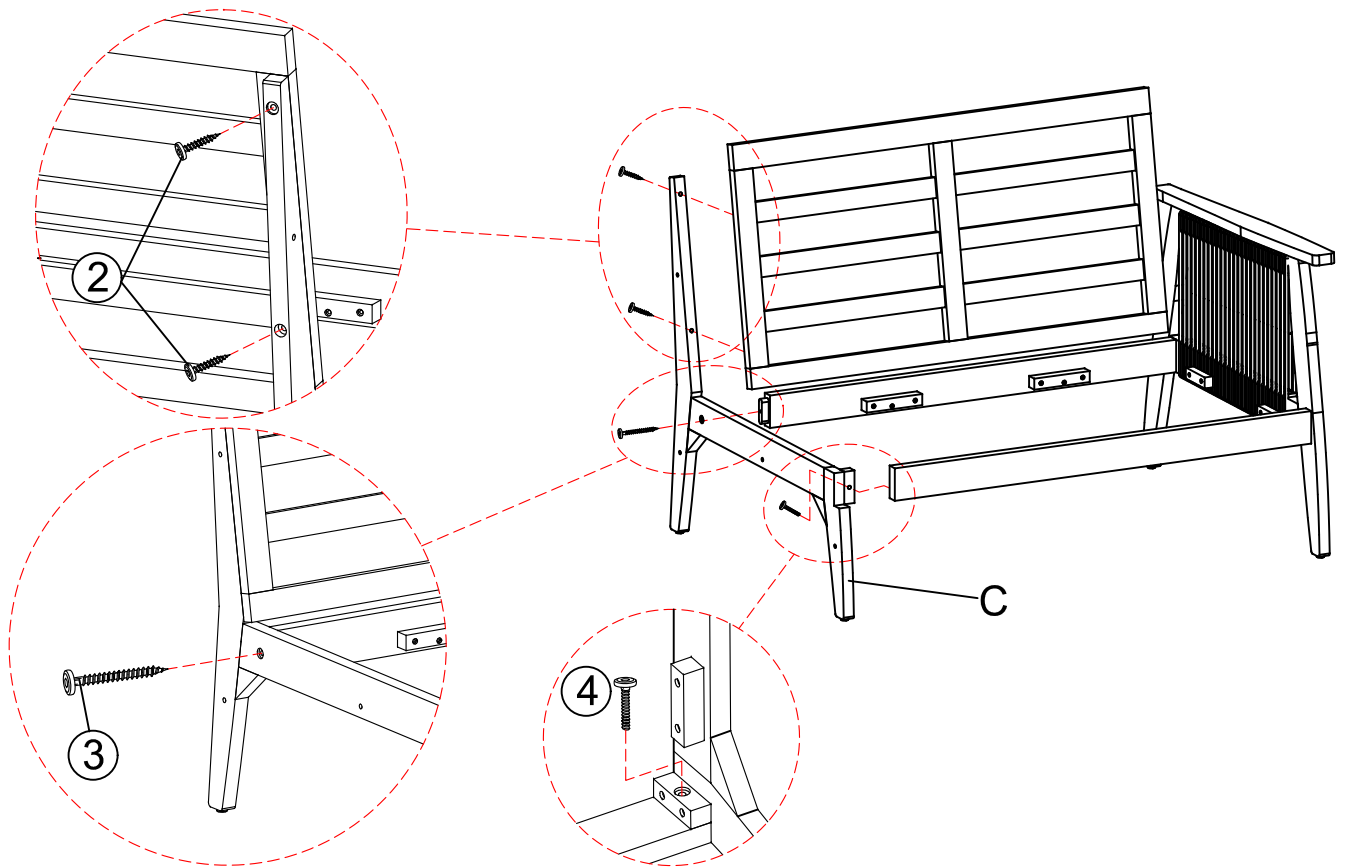
Place the Right Leg Panel (A) upright as shown in the picture above onto a clean, soft surface to avoid any scratches or damage to the product.  
With assistance from your adult partner(s), attach the Right Front Support Bar (H) and the Back Support Bar (J) to the Right Leg Panel (A) by using 02pcs of Screws (3), and the Allen Wrench (7) as shown above.  
**Do not fully tighten the Screws at this time.**

### Step 07



With assistance from your adult partner(s), attach the Right Backrest Panel (E) to the assembled parts in Step 06 by using 01pc of Bolt (4), 01pc of Bolt (5) and the Allen Wrench (7) as shown above.  
**Do not fully tighten the Bolts at this time.**

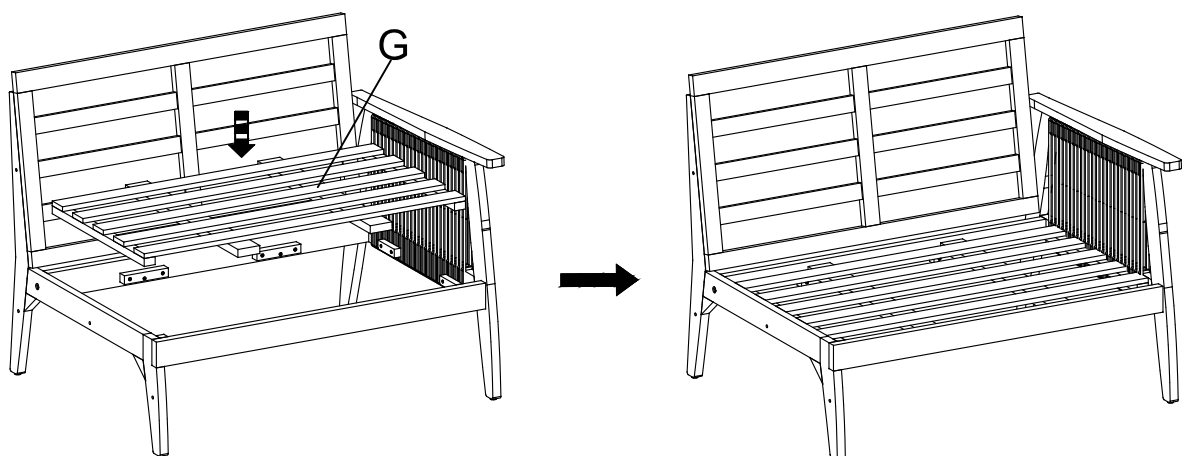
## Step 08



With assistance from your adult partner(s), attach the Right Middle Leg Panel (C) to the assembled parts in Step 07 by using 02pcs of Screws (2), 01pc of Screw (3), 01 pc of Bolt (4) and the Allen Wrench (7) as shown above.

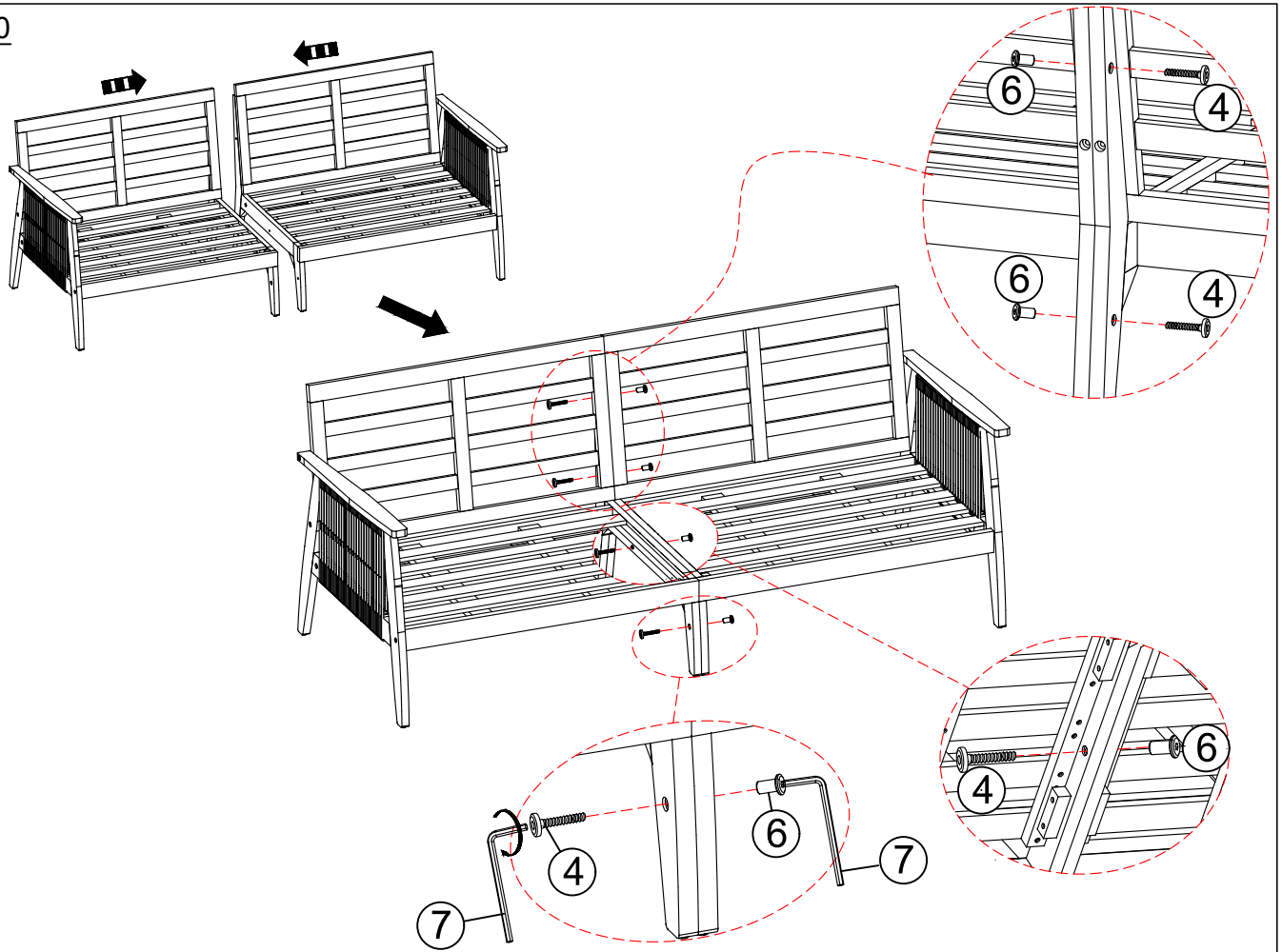
**Do not fully tighten the Screws and Bolts at this time.**

## Step 09



Attach the Seat Panel (G) into the assembled parts in step 08 as shown above.

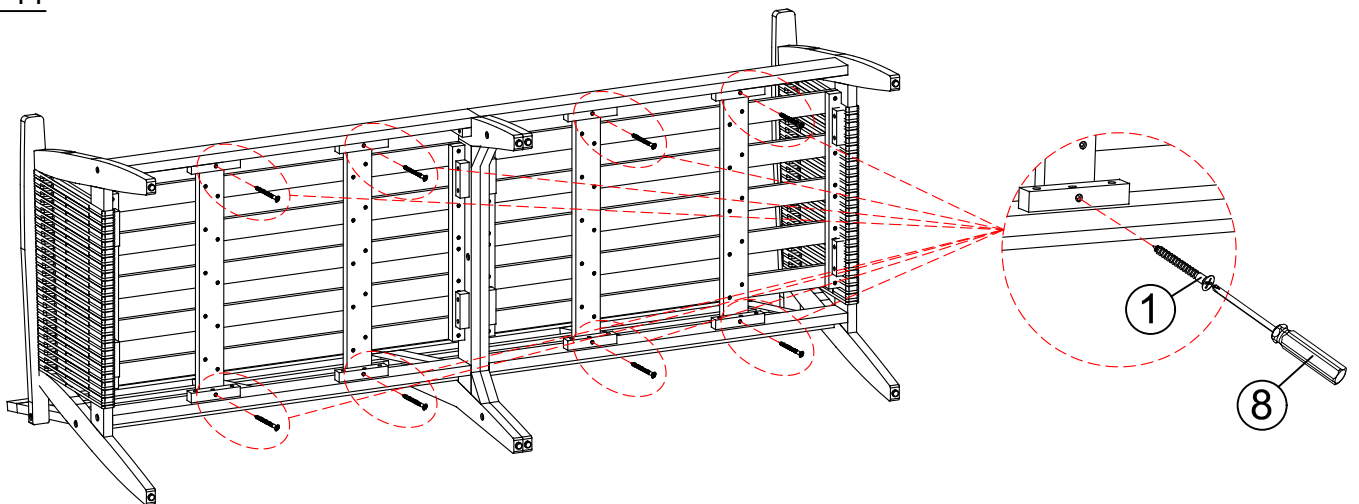
### Step 10



With assistance from your adult partner(s), attach the assembled parts in step 05 to the assembled parts in step 09 by using 02 pcs of Allen Wrenches (7) to turn the 04 pcs of Bolts (4) into the 04 pcs of Sleeve Nuts (6) as shown above.

**DO NOT fully tighten the Bolts at this time.**

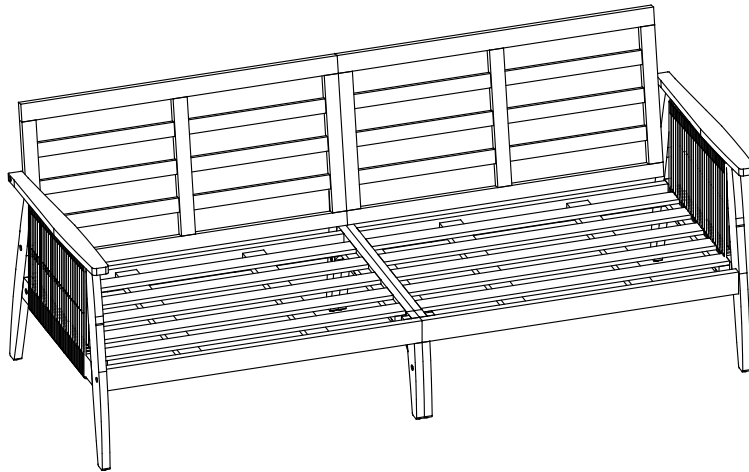
### Step 11



With assistance from your adult partner(s), flip it to one side and using 08pcs Screws (1) & Screw Driver (not provided) (8) as shown above.

**Tighten fully all the Screws at this time.**

## Step 12



With the assistance from your adult partner, stand the Bench up. Inspect the Bench and make sure all parts are adequately connected. Then EXERT pressure, floorwards onto the Bench with both hands, carefully sit onto the Bench. This pressure will help align all parts at all joints. Check for wobbles on a LEVEL surface.

If no wobbles are found proceed to tighten the Bolts and Screws in a sequential manner, until evenly secured.

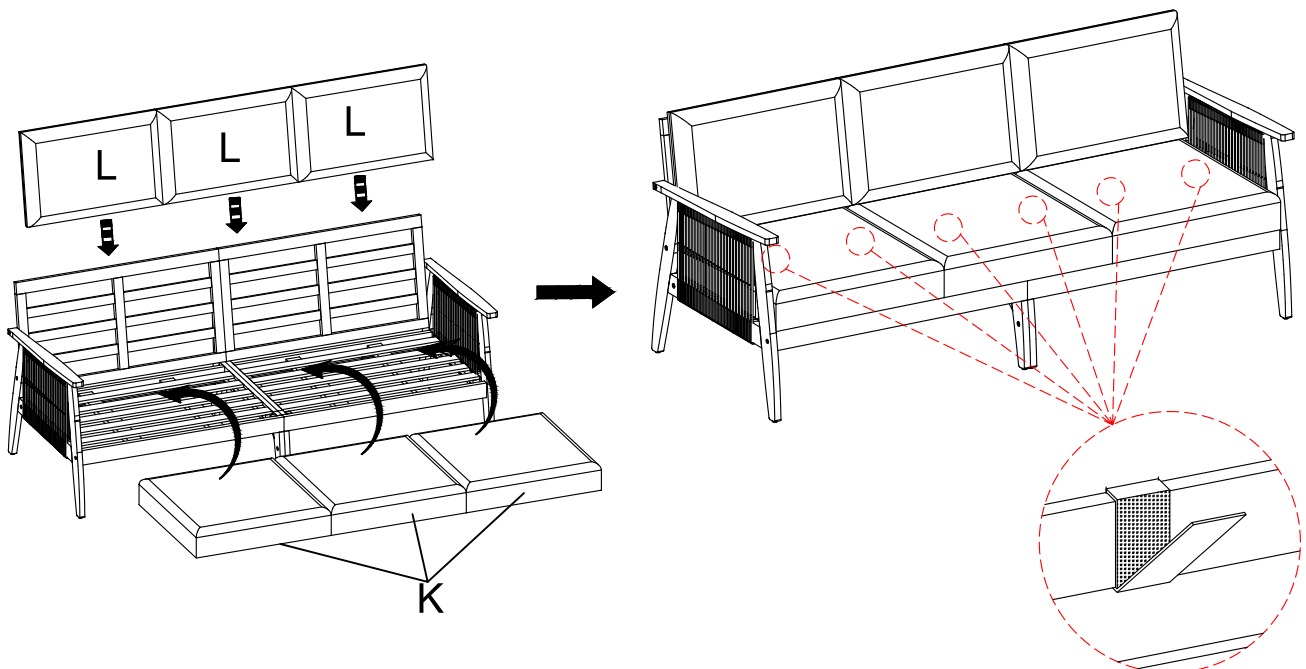
**CAUTION: When tightening these screws and bolts, tighten sequentially.**

**DO NOT** tighten any screw or bolt fully and then move towards the next one. This could cause the frame to warp.

**WARNING!! IF THE BENCH IS NOT STABLE.**

**IT COULD LEAD TO DAMAGING THE PRODUCT.**

## Step 13



Place 03pcs of the Seat Cushions (K), then 03pcs of the Back Cushions (L) into the Bench, and affix the magic tape straps around the Bench as shown above.

**Your Bench is ready to be used.**

**This Bench can only be used on a flat, level surface.**

## Questions & Answers about Proposition 65

- What is Proposition 65?

Proposition 65 requires businesses to provide warnings to Californians about significant exposures to chemicals that cause cancer, birth defects or other reproductive harm. These chemicals can be in the products that Californians purchase, in their homes or workplaces, or that are released into the environment. By requiring that this information be provided, Proposition 65 enables Californians to make informed decisions about their exposures to these chemicals.

Proposition 65 also prohibits California businesses from knowingly discharging significant amounts of listed chemicals into sources of drinking water.

Proposition 65 requires California to publish a list of chemicals known to cause cancer, birth defects or other reproductive harm. This list, which must be updated at least once a year, has grown to include approximately 900 chemicals since it was first published in 1987.

- What types of chemicals are on the Proposition 65 list?

The list contains a wide range of naturally occurring and synthetic chemicals that include additives or ingredients in pesticides, common household products, food, drugs, dyes, or solvents. Listed

chemicals may also be used in manufacturing and construction, or they may be byproducts of chemical processes, such as motor vehicle exhaust.

- What does a warning mean?

If a warning is placed on a product label or posted or distributed at a workplace, a business, or in rental housing, the business issuing the warning is aware or believes that it is exposing individuals to one or more listed chemicals.

By law, a warning must be given for listed chemicals unless the exposure is low enough to pose no significant risk of cancer or is significantly below levels observed to cause birth defects or other reproductive harm.

- Where can I get more information on Proposition 65?

If you have specific questions on the administration or implementation of Proposition 65, you can contact OEHHA's Proposition 65 program at [P65.Questions@oehha.ca.gov](mailto:P65.Questions@oehha.ca.gov), or by phone at (916) 445 - 6900