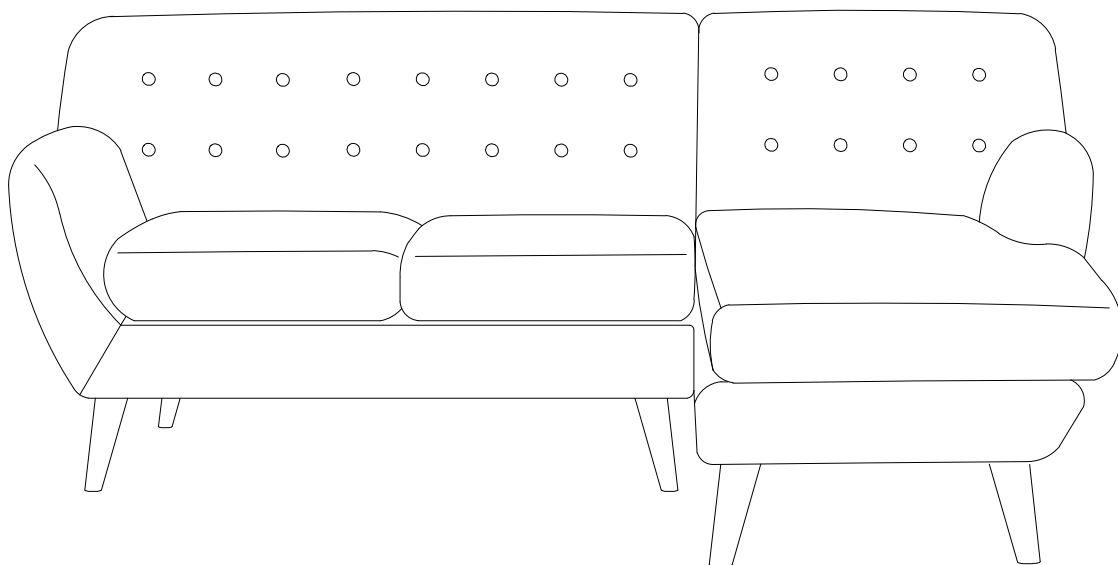
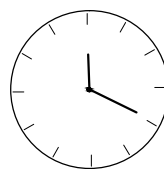
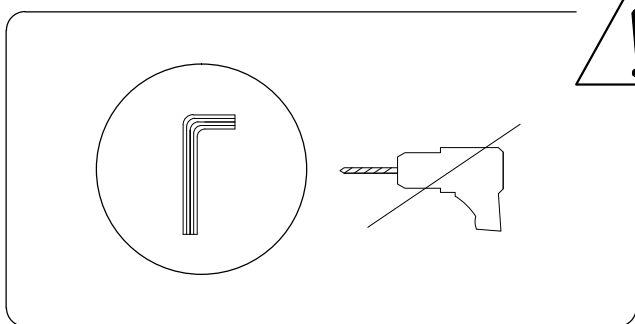
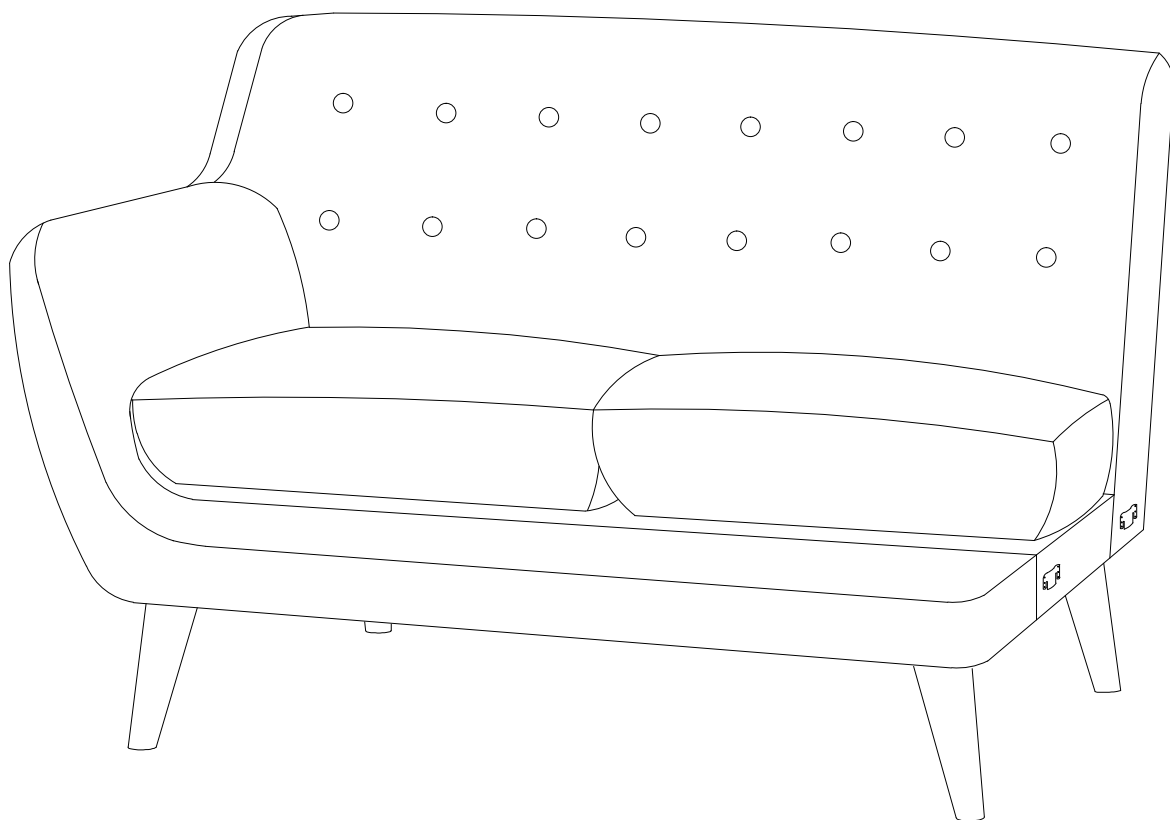


A

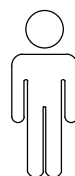
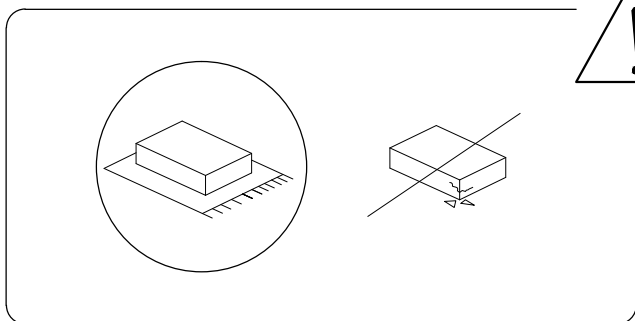
B



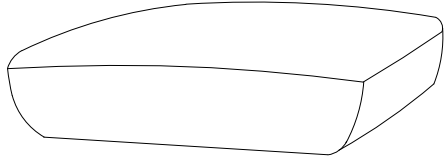
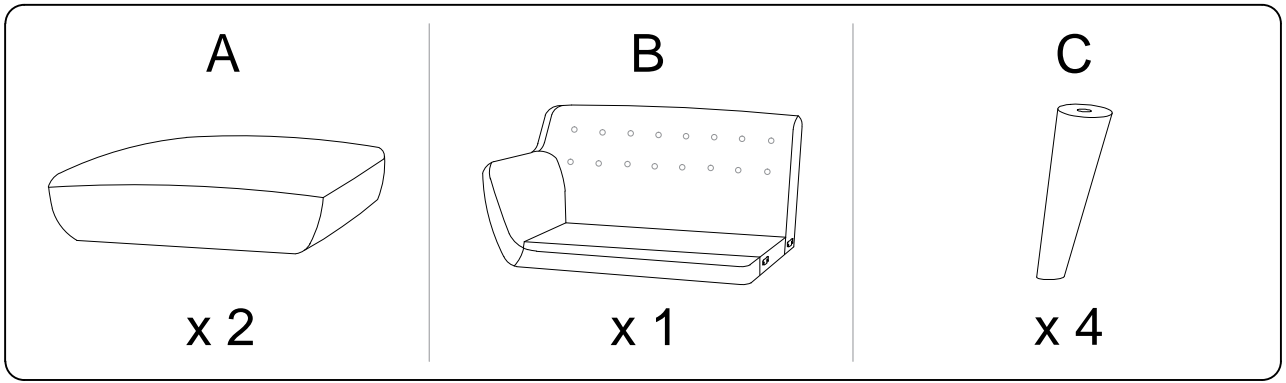
A



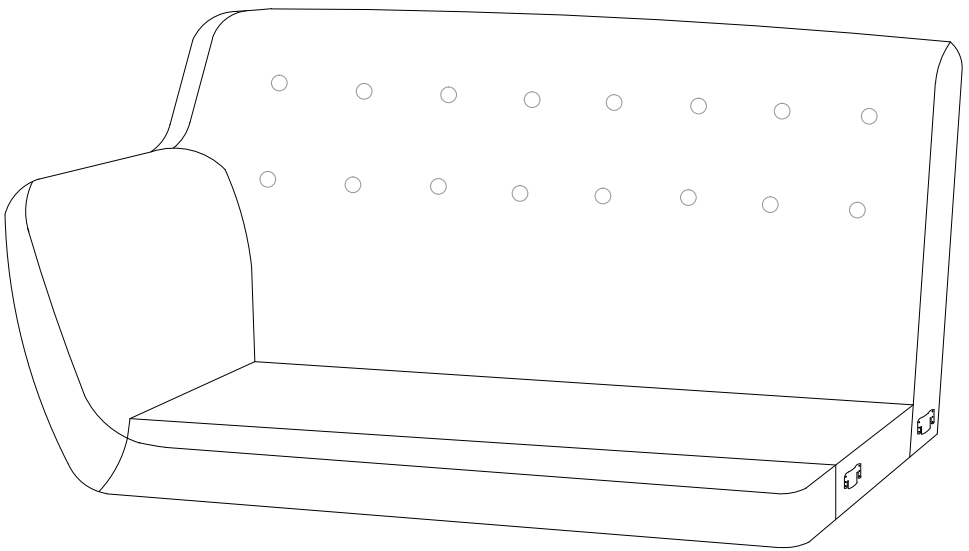
20'



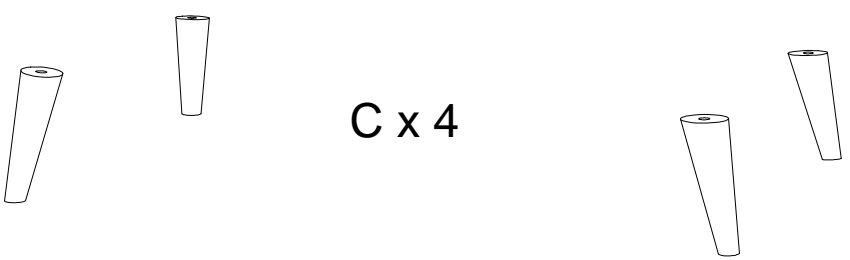
1



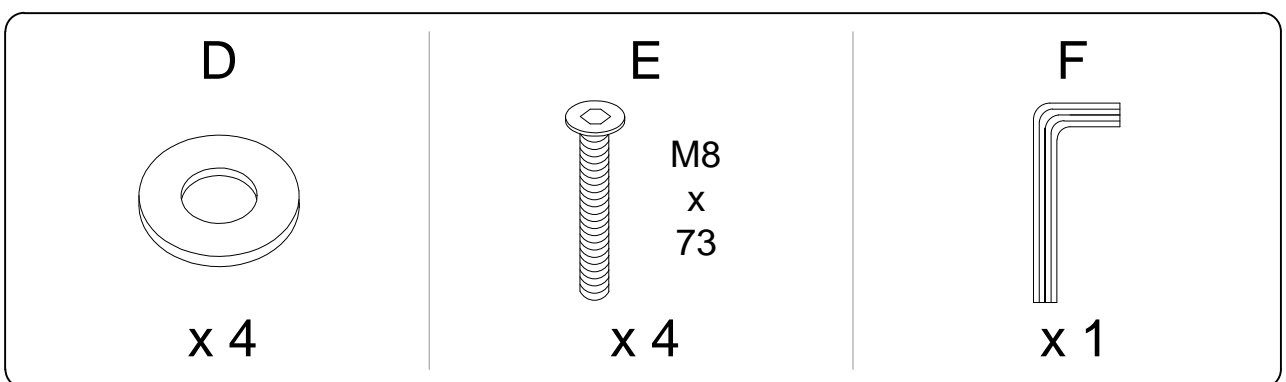
A x 2



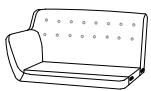


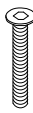
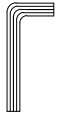
B

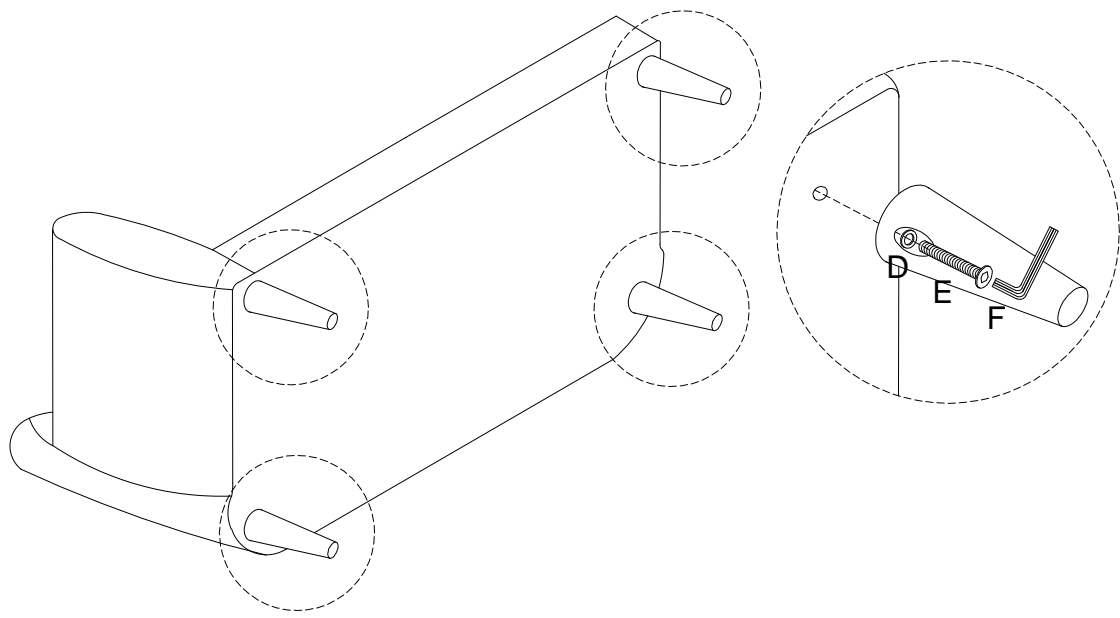


C x 4




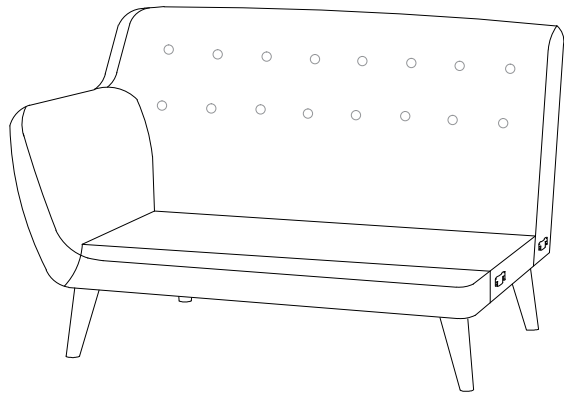
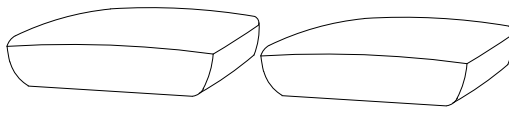
1

B  x 1	C  x 4	D  x 4	E M8 x 73  x 4	F  x 1
--	--	--	---	--

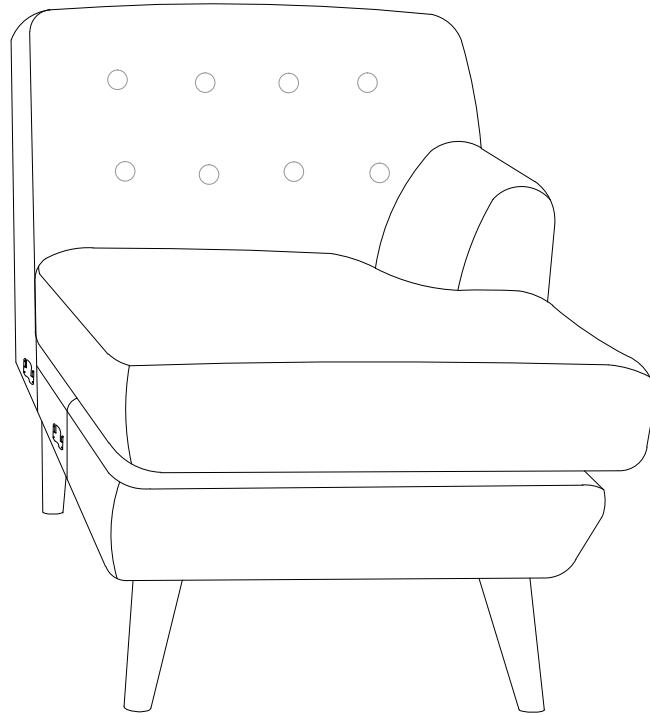


2

A

x 2

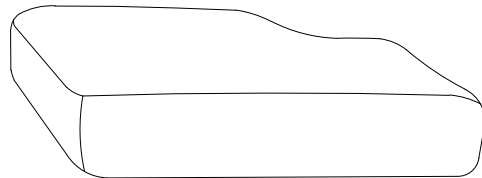
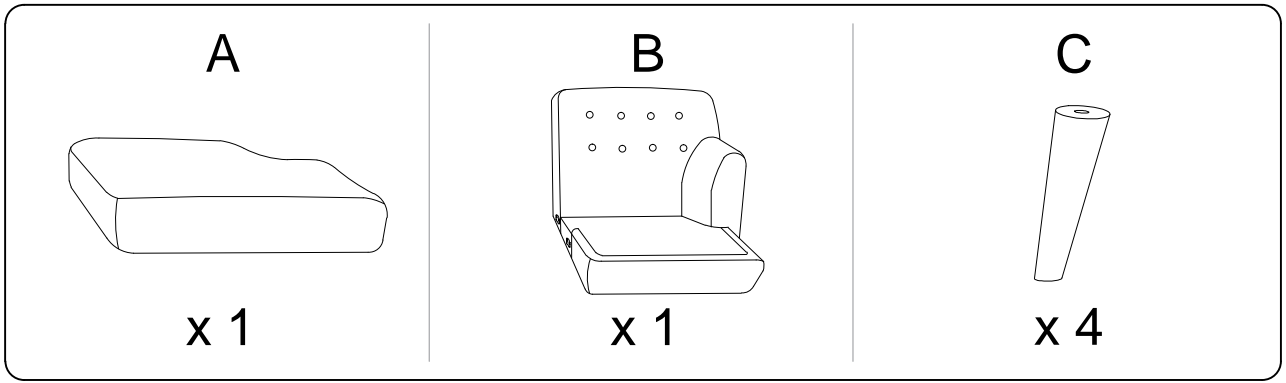


B

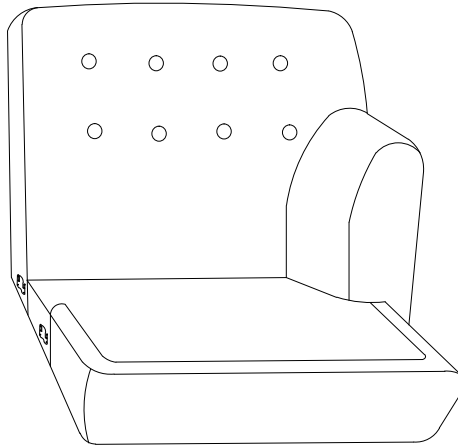


Assembly instructions for step B:

- Warning:** Do not use a power drill. Use the provided L-shaped corner bracket.
- Warning:** Do not use a power saw. Use the provided rectangular block.
- Time:** 20'
- Personnel:** 1



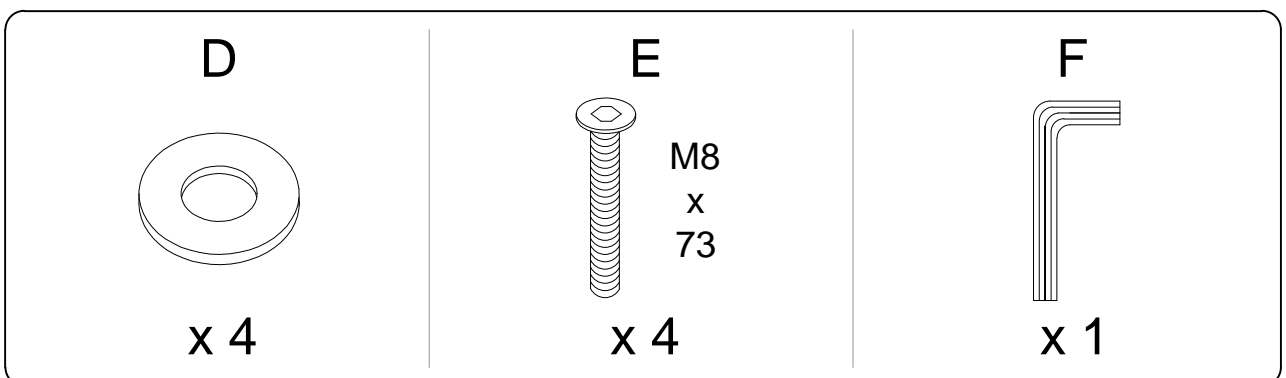
A



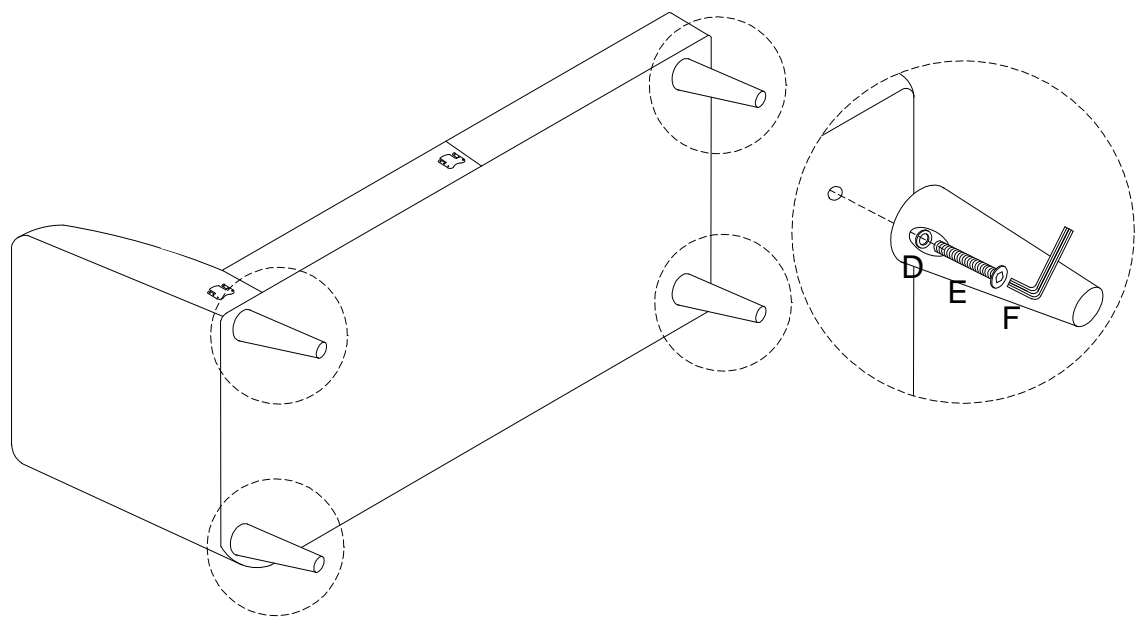
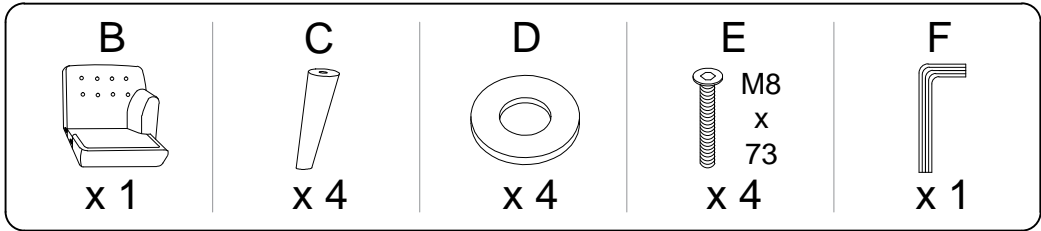
B



C x 4



1



2

