

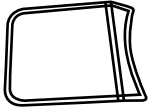

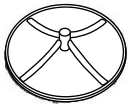

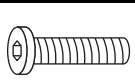


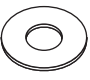






3PCS WICKER SWIVEL CONVEERSATION SET

-SWIVEL CHAIR

Parts List:

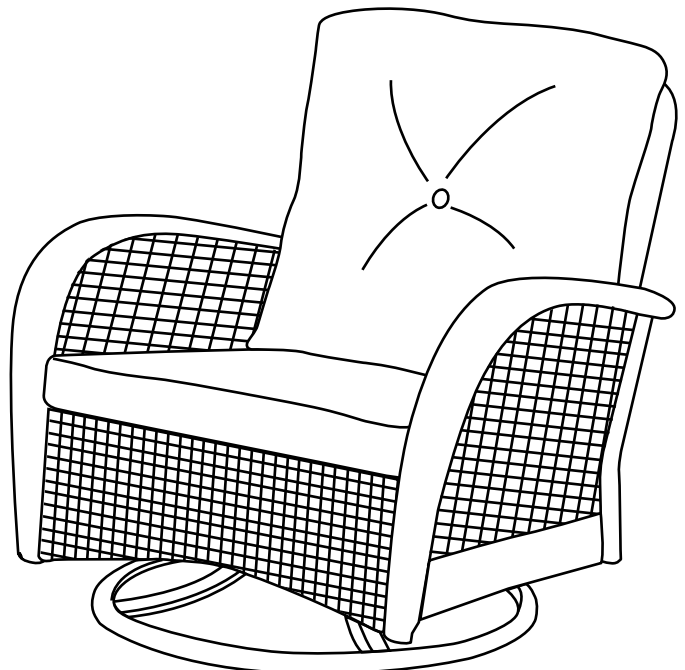
NO.	part	Diagram	Qty pcs
A1	Left Arm		1
A2	Right Arm		1
B	Chair Back		1
C	Seat Panel		1
D	Chair Base		1
E	U-Shape Fitting		1
F	Bolts	 M6*45mm	4
G	Bolts	 M6*35mm	8
H	Nuts		4
I	Washers		12
J	Seat Cushion		1
K	Back Cushion		1
L	Wrench		1
M	Open Wrench		1

For any missing or damaging parts, hardware, or any other problems, WELCOME to email us at: SERVICE@RILYSON.COM
Or 1-888-733-8169 Toll free
Monday-Friday 9AM - 5PM EST

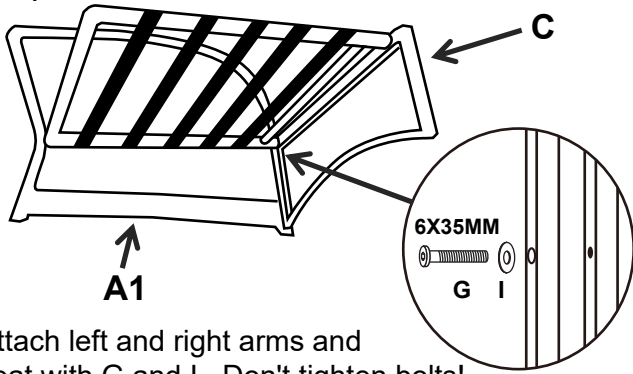
* Don't fully tighten all the bolts till the very end!

PRE-ASSEMBLY PREPARATION:

- Please read through the instructions before beginning assembly.
- Clear out the space for assembly and lay out all of the parts based on the Parts List, extra room will allow you to easily determine if all the pieces are present.
- Keep small parts and pieces away from children until fully assembled.

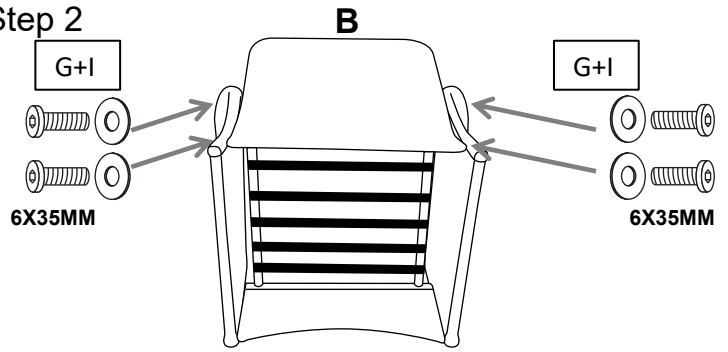


Step 1



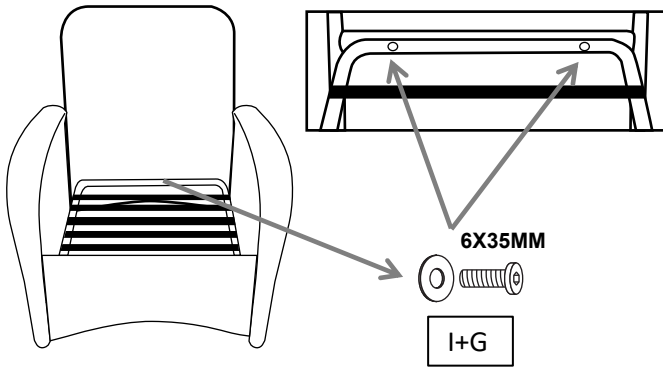
Attach left and right arms and seat with G and I. Don't tighten bolts!

Step 2



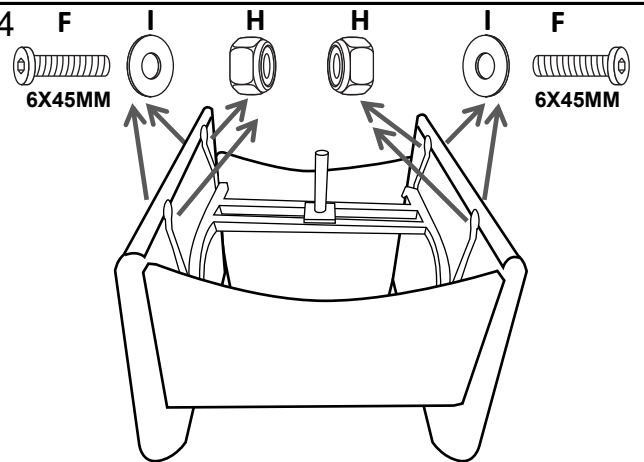
Attach left and right arms and back with G and I. Don't tighten bolts!

Step 3

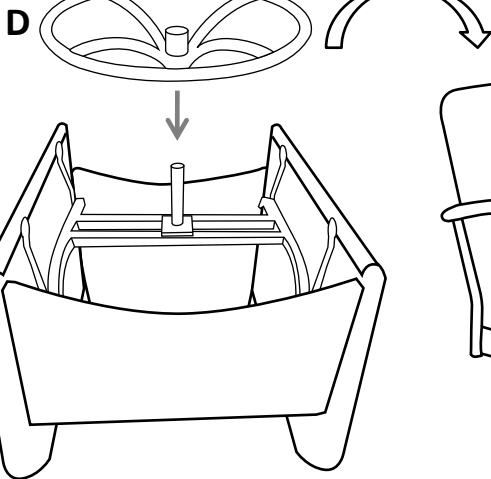


Attach seat and back panel with G and I. Tighten all the bolts (G) with wrench (L).

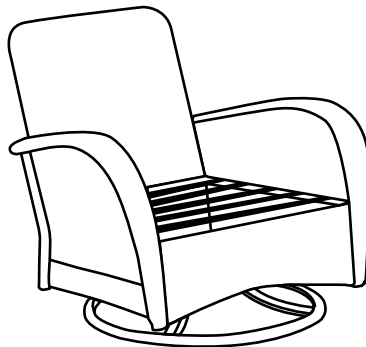
Step 4



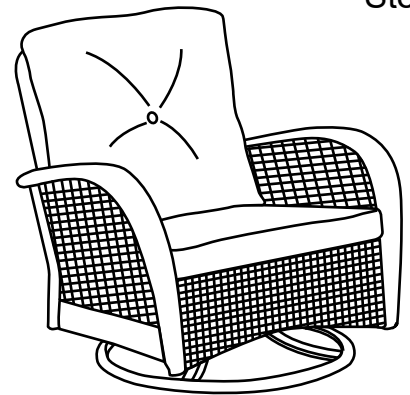
Attach U-Shape Fitting, left and right arms with F, H and I. Tighten all the bolts (F) and nuts (H) with M and L.



Step 5



Step 6



Put the seat cushion(J) and the back cushion(K) on the chair.

The chair is full assembled now.

Assembly Instructions

Parts List (END TABLE):

NO.	part	Diagram	Qty pcs
A	Table Top		1
B	Table Leg		4
C	Table Shelf		1
D	Screws		12
E	Washers		12
F	Hex Wrench		1

