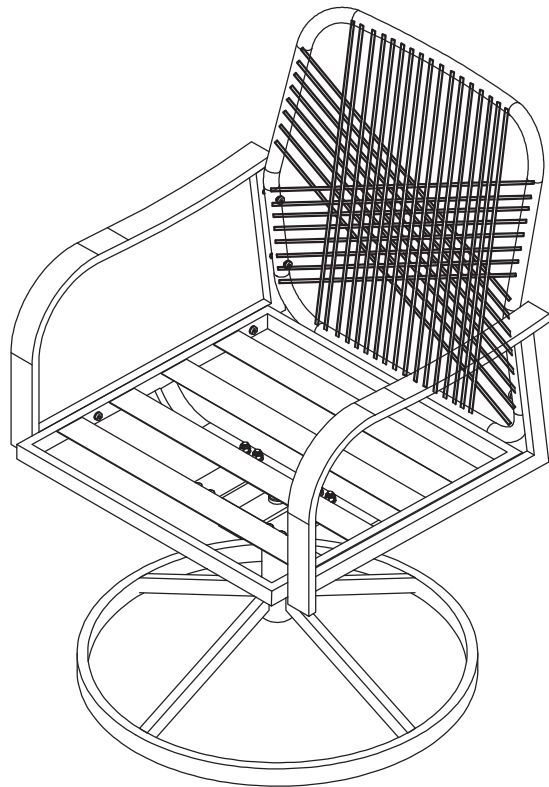
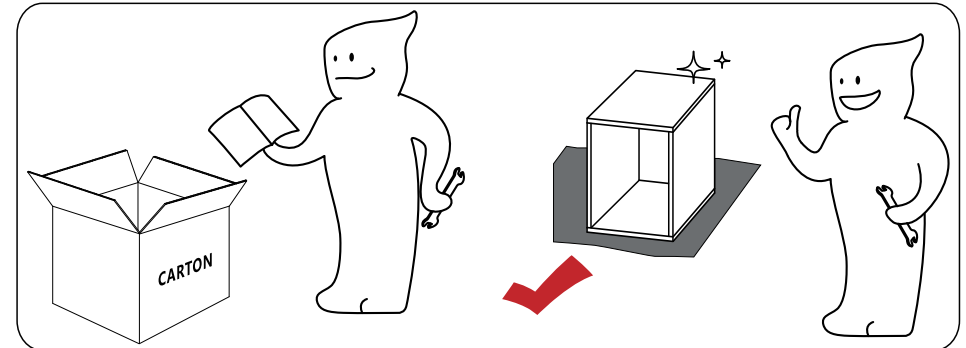
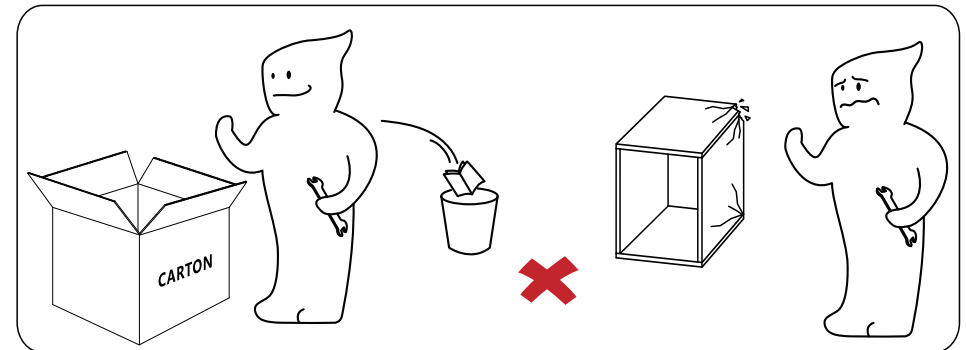


Assembly Instructions



! IMPORTANT

Please follow the instruction manuals and use a pad to avoid damage during assembly.



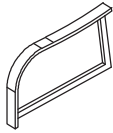
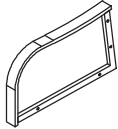
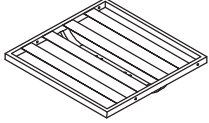
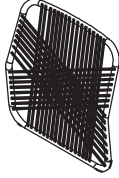
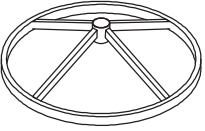
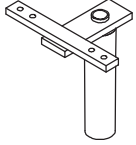
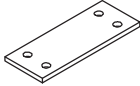

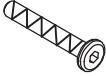


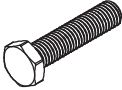






For easier and better assembly, **1** or more adults are required.



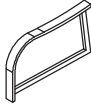
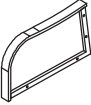



The expected assembly time for this product is **1** h, depending on the individual's manipulative ability.

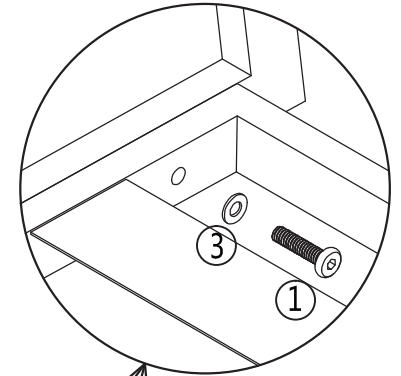
Dear Customers,

Thank you for purchasing our product. Please read this instruction manual carefully before attempting to install.

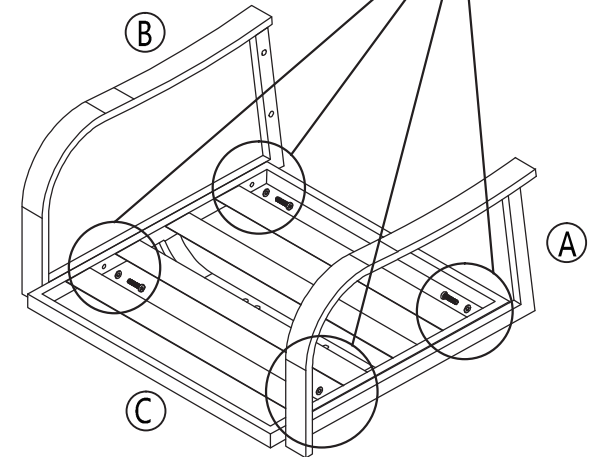
(A) X2 	(B) X2 	(C) X2 	(D) X2 	
(E) X2 	(F) X2 	(G) X4 	(1) X8  M6*25	
(2) X8  M6*35	(3) X16  M6	(4) X8  M8*30	(5) X8  M8*35	(6) X16  M8
(7) X16  M8	(8) X16  M8	(9) X4 	(10) X1 	(11) X2  M8


1

(A)		X2
(B)		X2
(C)		X2
(1)		X8
(3)		X8


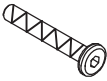



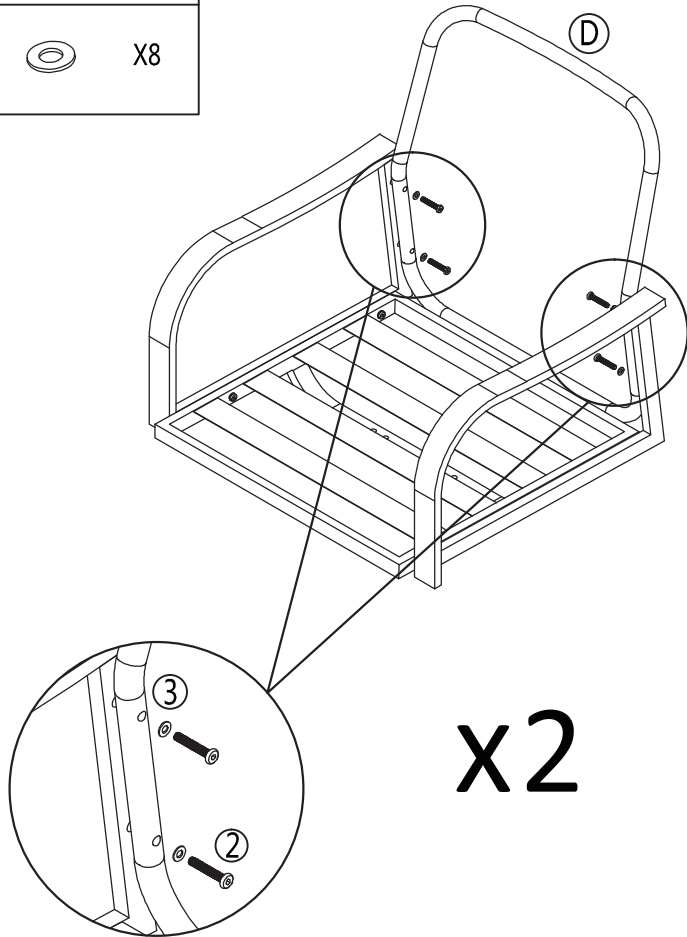
x2



 **Note:** Do not fasten all screws completely, just half fasten them.

2

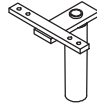
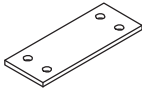
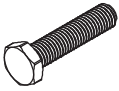



ⓓ		X2
②		X8
③		X8

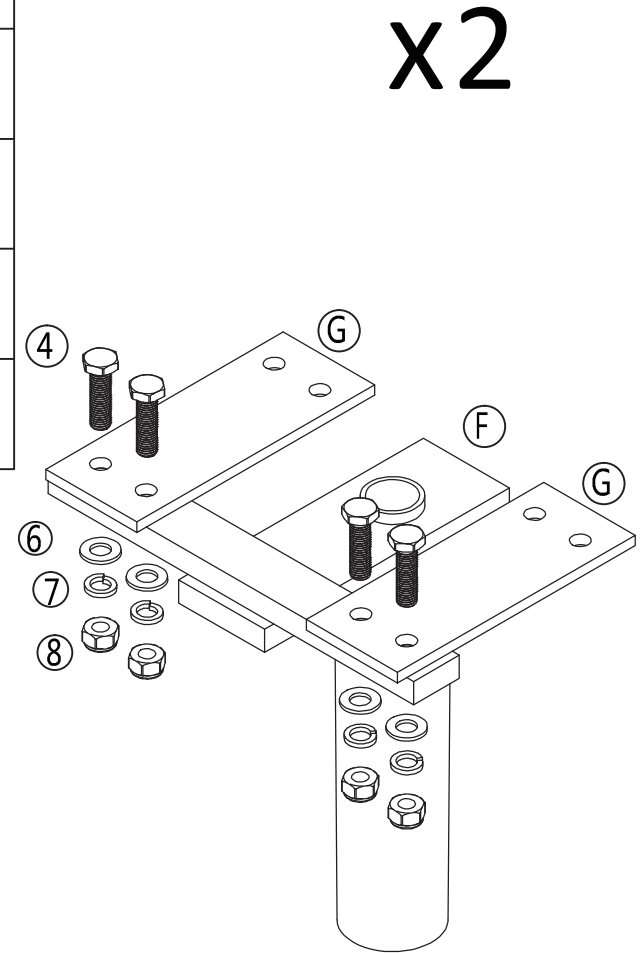



 **Note:** Do not fasten all screws completely, just half fasten them.

5

3


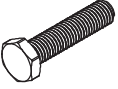



ⓕ		X2
ⓖ		X4
④		X8
⑥		X8
⑦		X8
⑧		X8

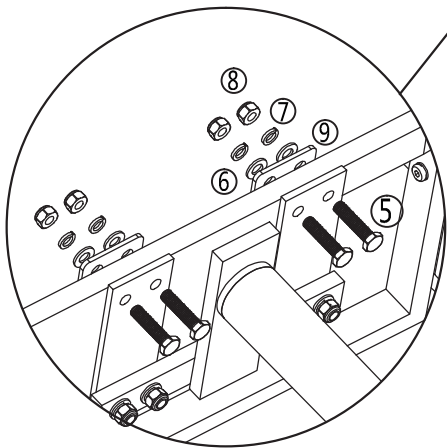
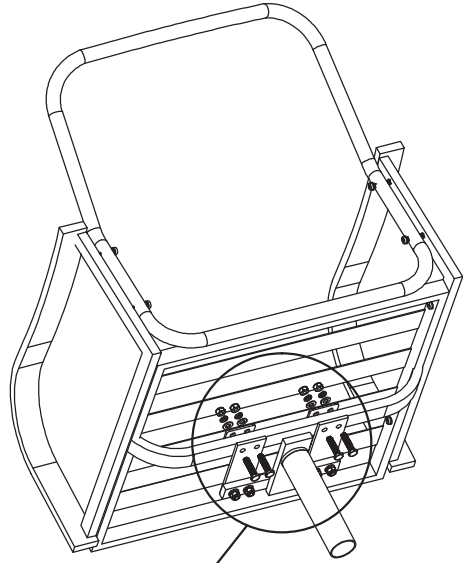


 **Note:** During the assembly, please first half-tighten all the screws into the holes. After all the screws are set, fully tighten them.


6

4

9		X4
5		X8
6		X8
7		X8
8		X8

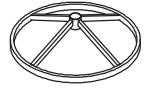


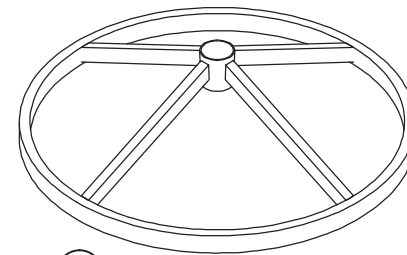
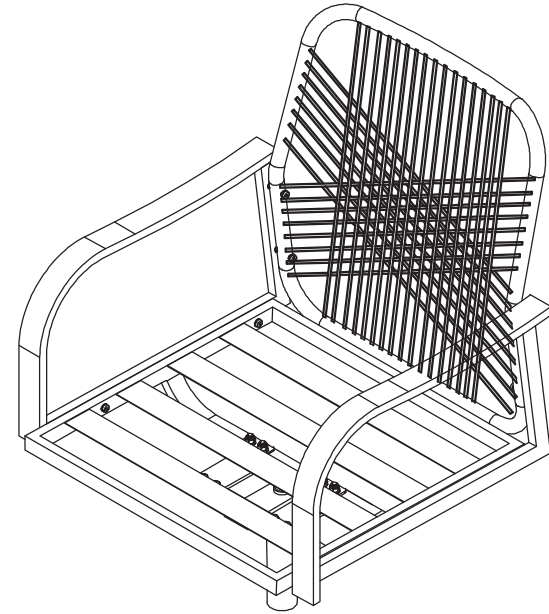
x2

 **Note:** Do not fasten all screws completely, just half fasten them.

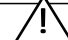
7

5

E		X2
---	---	----



x2

 **Note:** During the assembly, please first half-tighten all the screws into the holes. After all the screws are set, fully tighten them.

8