

ASSEMBLY INSTRUCTION FOR ACME FURNITURE





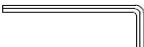
MODEL# 70333

Thank you for purchasing the quality product. Be sure to check all packing material carefully for small parts which may have come loose inside the carton during shipment. Separate, identify and count all parts and metal hardware. Compare with all parts list to be sure all parts are present. If any part(s) are missing or damaged, please contact your local furniture dealer. For efficient and speedy service, please indicate the model number and code letter of part(s) needed.

*****Do not fully tighten screws until fully assembled*****

	COMPONENT PARTS	
DESCRIPTION	PART NAME	Q'TY (PCS)
P1	CHAIR BACK	2
P2	BOX SEAT	2
P3	CHAIR FRONT LEG	4

HAREWARES REQUIRED

H1		JCBC BOLT M6 x 35MM - 4 PCS
H2		JCBC BOLT M6 x 70MM - 16 PCS
H3		SPRING WASHER - 20 PCS
H4		FLAT WASHER - 20 PCS
H5		ALLEN KEY - 1 PC

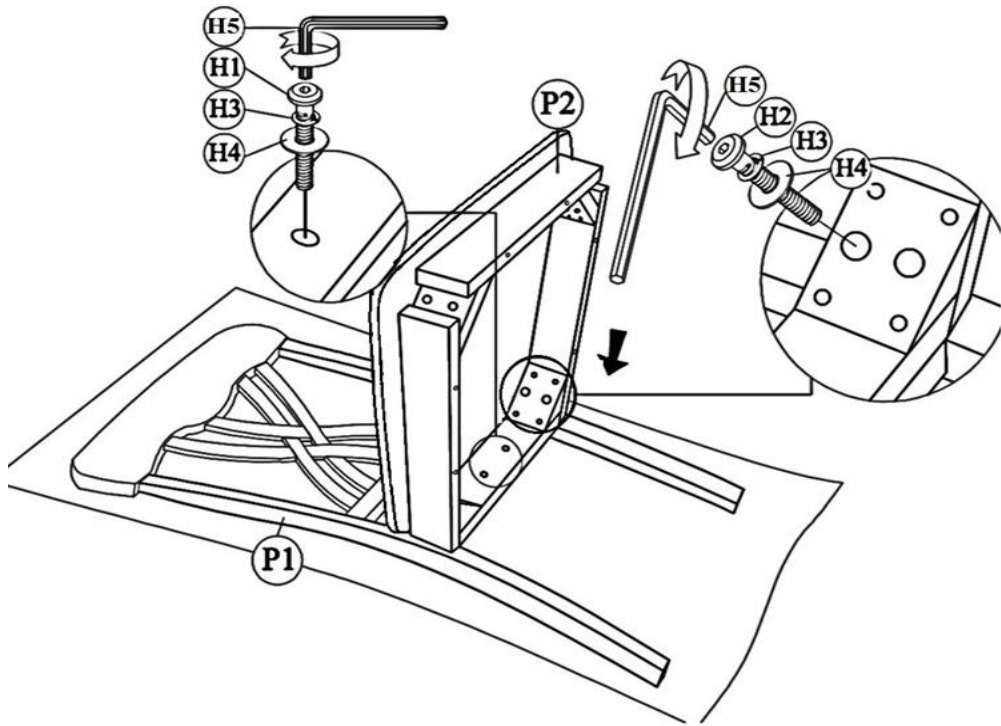
Attention:

*** Some number parts listed on the instruction sheet may not be in parts bag as they may already be assembled.

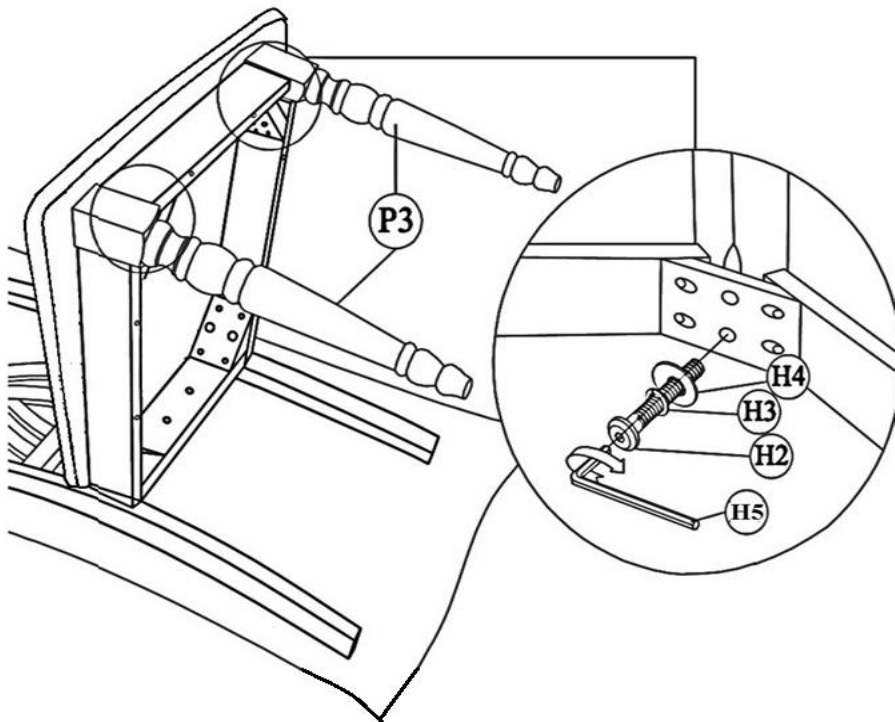
Carefully check parts and packing materials prior to ordering replacements.

How to assemble:

STEP 1:



STEP 2:



ASSEMBLY INSTRUCTION FOR ACME FURNITURE









MODEL# 70830/73830 COUNTER HEIGHT TABLE

Thank you for purchasing the quality product. Be sure to check all packing material carefully for small parts which may have come loose inside the carton during shipment. Separate, identify and count all parts and metal hardware. Compare with all parts list to be sure all parts are present. If any part(s) are missing or damaged, please contact your local furniture dealer. For efficient and speedy service, please indicate the model number and code letter of part(s) needed.

*****Do not fully tighten screws until fully assembled*****

DESCRIPTION	COMPONENT PARTS	
	PART NAME	Q'TY (PCS)
P1	TABLE TOP WITH APRON	1
P2	TABLE LEG	4
P3	SIDE STRETCHER	2
P4	SHELF	1

HAREWARES REQUIRED

H1		JCBC BOLT M8 x 60MM - 8 PCS
H2		JCBC BOLT M6 x 90MM - 4 PCS
H3		M8 SPRING WASHER - 8 PCS
H4		M8 FLAT WASHER - 8 PCS
H5		BOLT & NUT - 4 PCS
H6		M6 SPRING WASHER - 4 PCS
H7		ALLEN KEY M8 - 1 PC
H8		ALLEN KEY M6 - 1 PC

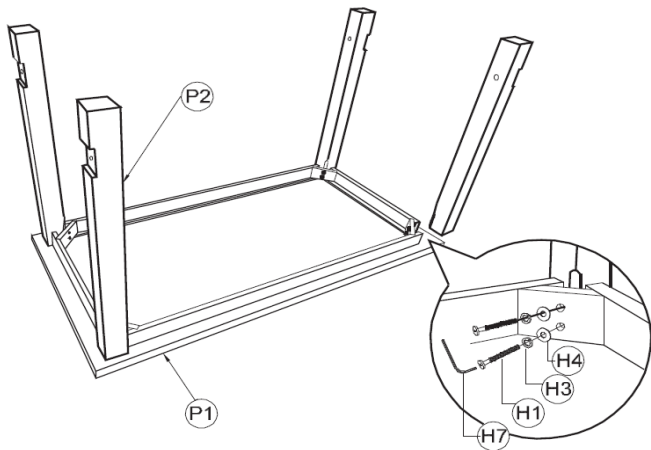
Attention:

*** Some number parts listed on the instruction sheet may not be in parts bag as they may already be assembled.

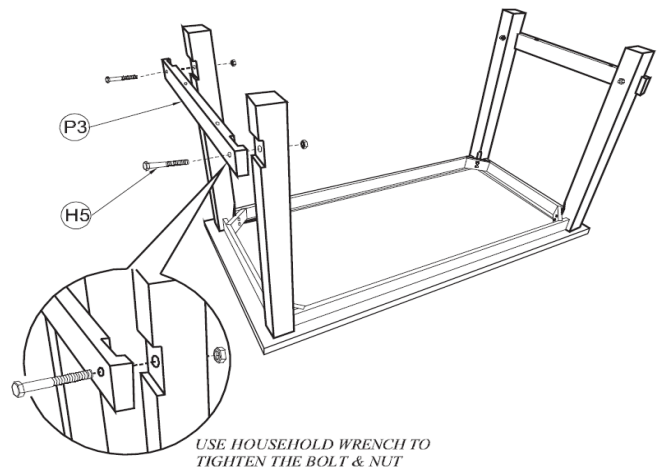
Carefully check parts and packing materials prior to ordering replacements.

How to assemble:

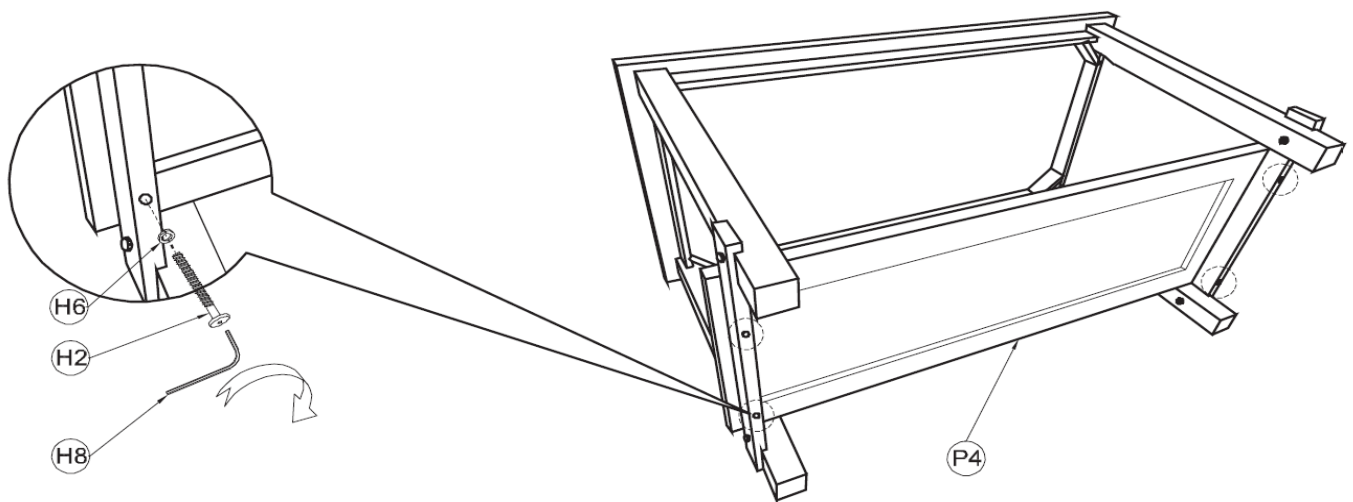
STEP 1:



STEP 2:



STEP 3:





ASSEMBLY INSTRUCTION FOR ACME FURNITURE





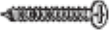

MODEL# 70832/73832 COUNTER STOOL

Thank you for purchasing the quality product. Be sure to check all packing material carefully for small parts which may have come loose inside the carton during shipment. Separate, identify and count all parts and metal hardware. Compare with all parts list to be sure all parts are present. If any part(s) are missing or damaged, please contact your local furniture dealer. For efficient and speedy service, please indicate the model number and code letter of part(s) needed.

*****Do not fully tighten screws until fully assembled*****

COMPONENT PARTS		
DESCRIPTION	PART NAME	Q'TY (PCS)
P1	CHAIR BACK	2
P2	CHAIR SEAT	2
P3	FRONT LEG with sticker 	2
P3	FRONT LEG	2
P4	FRONT STRETCHER	2
P5	SIDE STRETCHER with sticker 	2
P5	SIDE STRETCHER	2

HAREWARES REQUIRED

- H1  JCBC BOLT M6 x 35MM - 4 PCS
- H2  JCBC BOLT M6 x 80MM - 16 PCS
- H3  SPRING WASHER - 20 PCS
- H4  FLAT WASHER - 20 PCS
- H5  SCREW M4 X 32MM - 12 PCS
- H6  ALLEN KEY - 1 PC

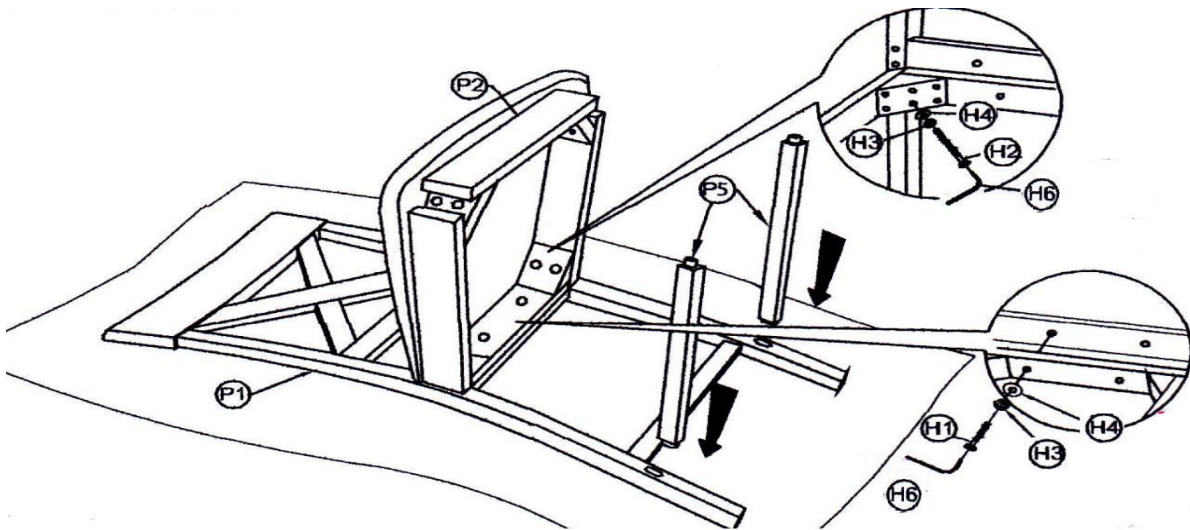
Attention:

*** Some number parts listed on the instruction sheet may not be in parts bag as they may already be assembled.

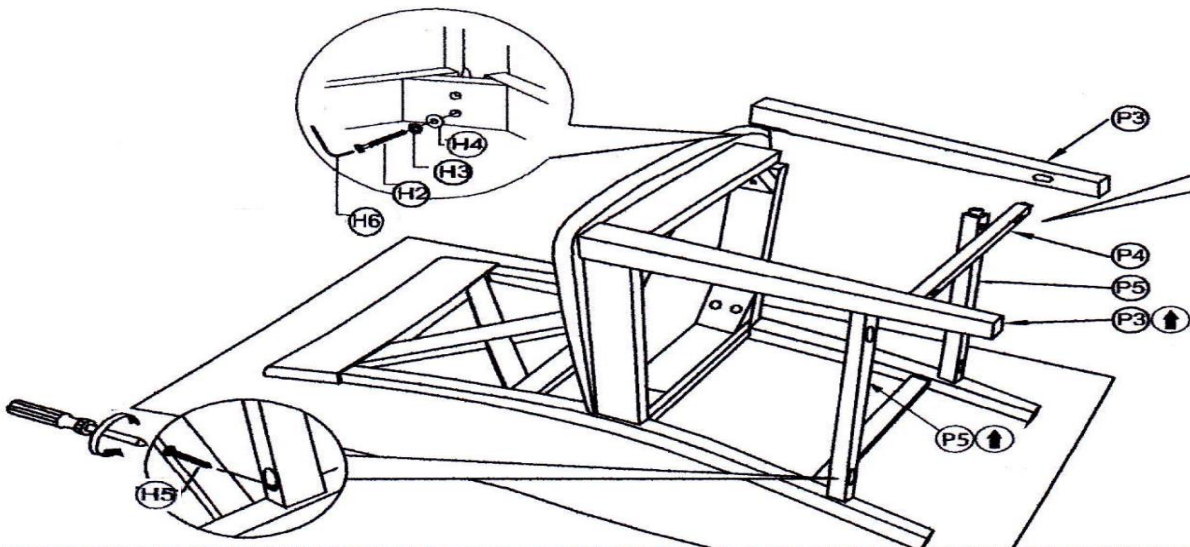
Carefully check parts and packing materials prior to ordering replacements.

How to assemble:

STEP 1:



STEP 2:



STEP 3:

