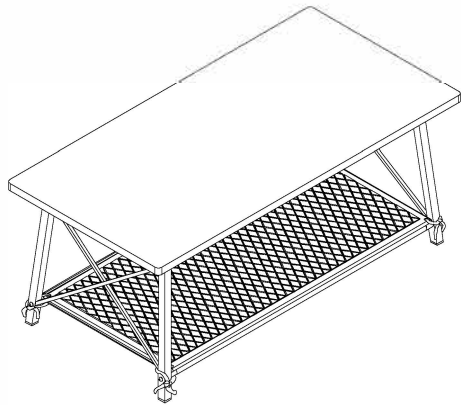


Assembly Instruction

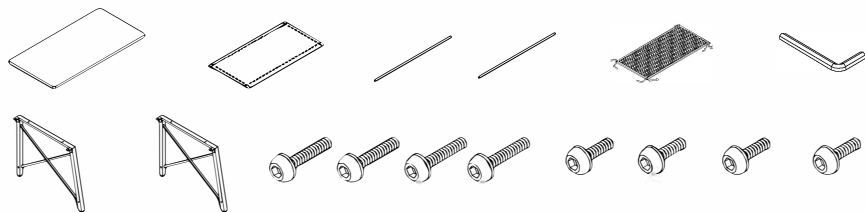


Parts List

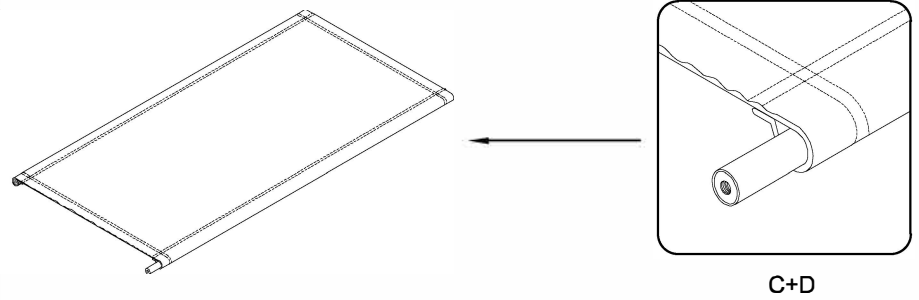
No.	Picture	Qty	No.	Picture	Qty
A		1	E		1
B		2	F		4
C		1	G		4
D		2	H		1

Assembly Steps

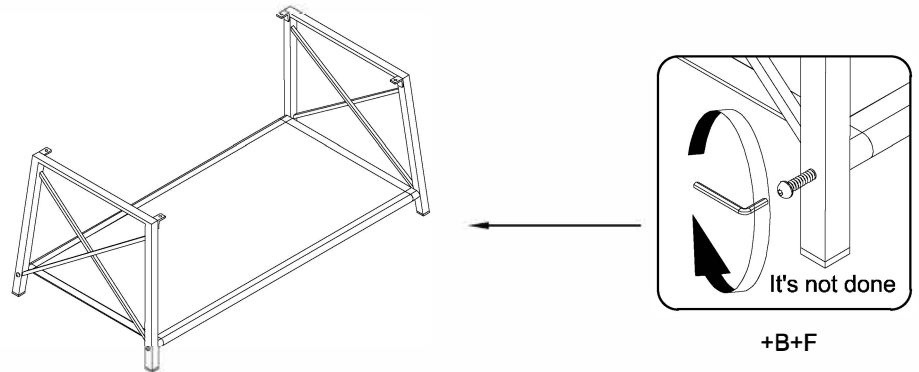
Step 1



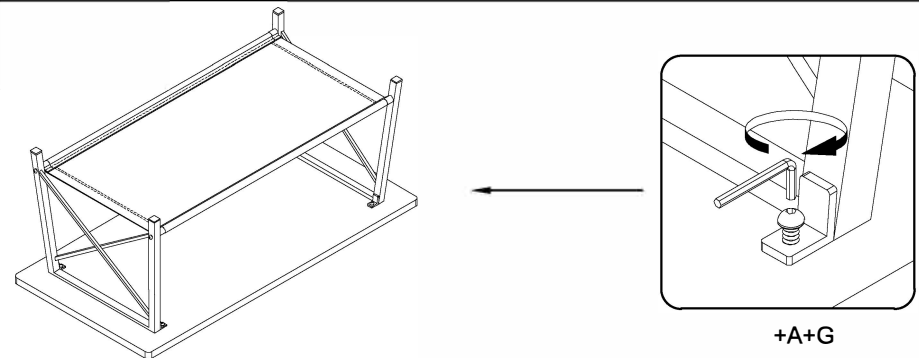
Step 2



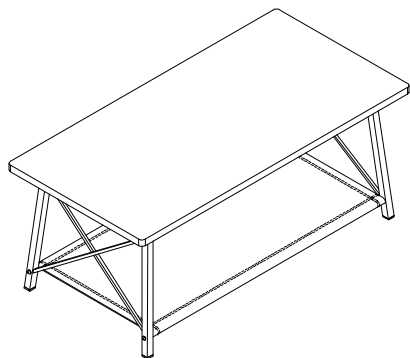
Step 3 The screw must be loose to finish



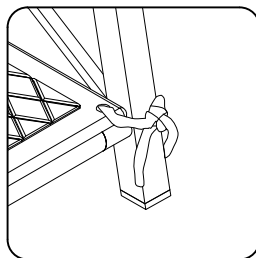
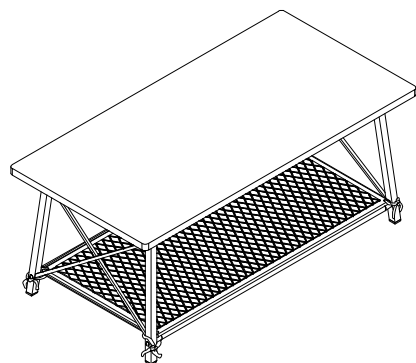
Step 4 And complete the previous step



Step 5



Step 6



+E