

HAPPINESS HAPPINESS INSTALLATION



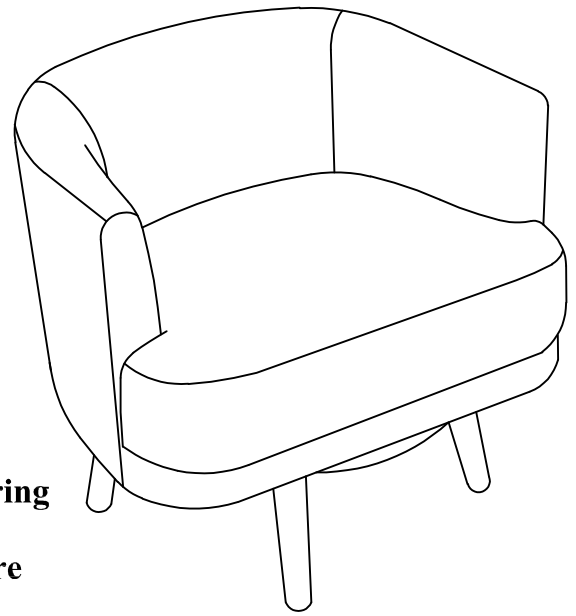
CAUTION

Parts are placed at the bottom of the product.

* If you have any questions with the product,
please contact us by:

* **Email: customerservice@zoy-living.com**
(we will reply to you within 24 hours)

Assembly instructions



008H

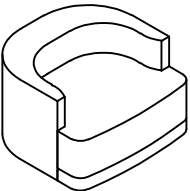





Your chair comes packaged in 1 box. Carefully remove all of components from the packaging and set aside for assembly.

Before Beginning

- 1 - Carefully unpack and position the item on a clean, non-marring surface to assemble.
- 2 - Read this Assembly instructions from beginning to end before starting to assemble.
- 3 - Take an inventory of the required parts to ensure all are available.
- 4 - To prevent accidental choking hazards, keep all packing materials away from small children.
- 5 - Only tighten hardware until ALL hardware are fully engaged on their locations. Overtighten bolts will damage the bolt threads.
- 6 - Use only factory provided hardware to assemble. Unapproved hardware can damage product or jeopardize the structural integrity of the product.
- 7 - The use of power tool to assemble is not recommended due to high risk of over-torque, which can damage the product.

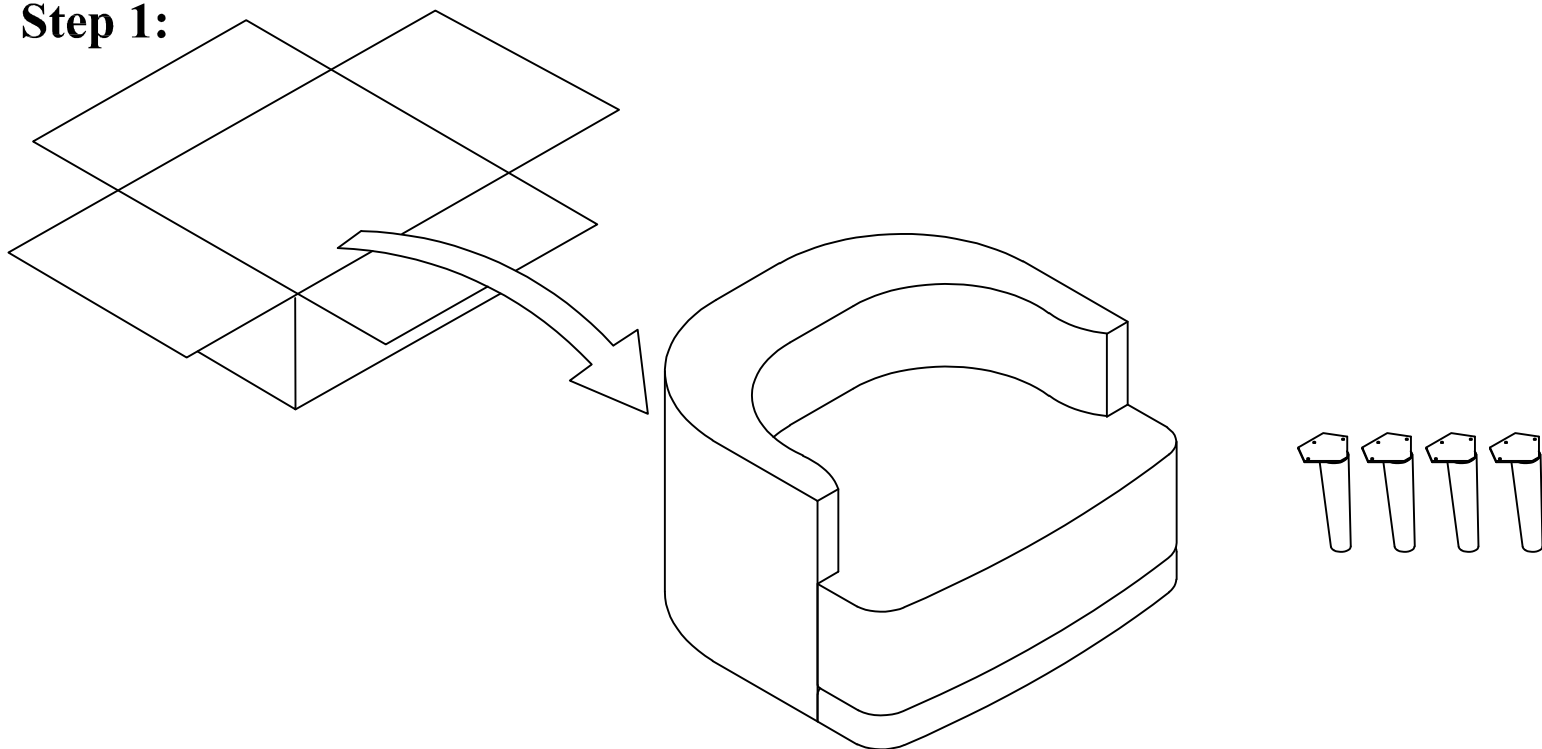
Package Contents

Parts list

<p>A X1</p>  <p>Body</p>	<p>B X4</p>  <p>Legs</p>	<p>1 X1</p>  <p>Allen key</p>	<p>2 X12</p>  <p>Bolt 1/4 x 1"</p>
<p>3 X12</p>  <p>Spring washer</p>	<p>4 X12</p>  <p>Flat washer</p>		

Unpackaging. Remove the cushions from the vacuum-sealed packaging

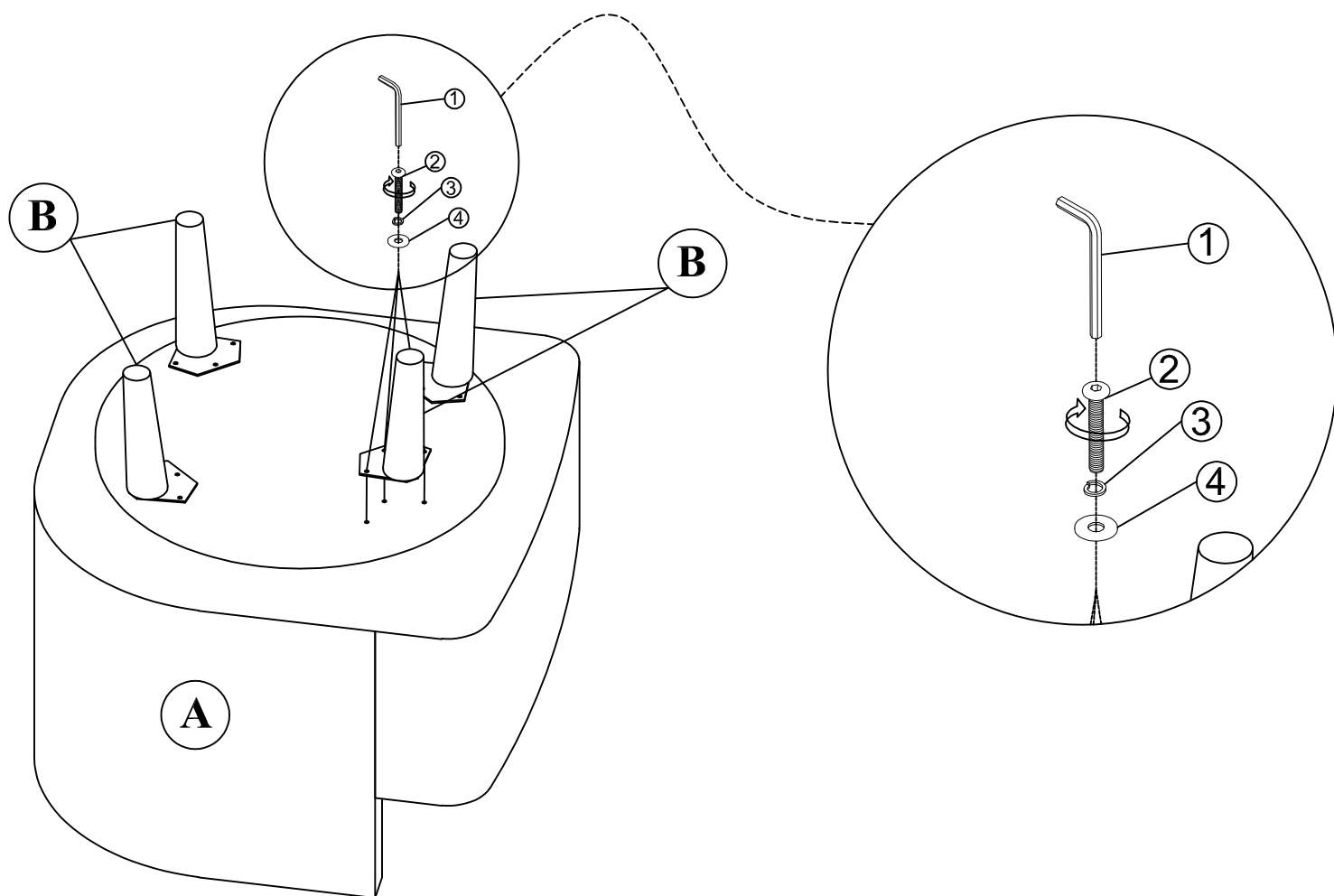
Step 1:



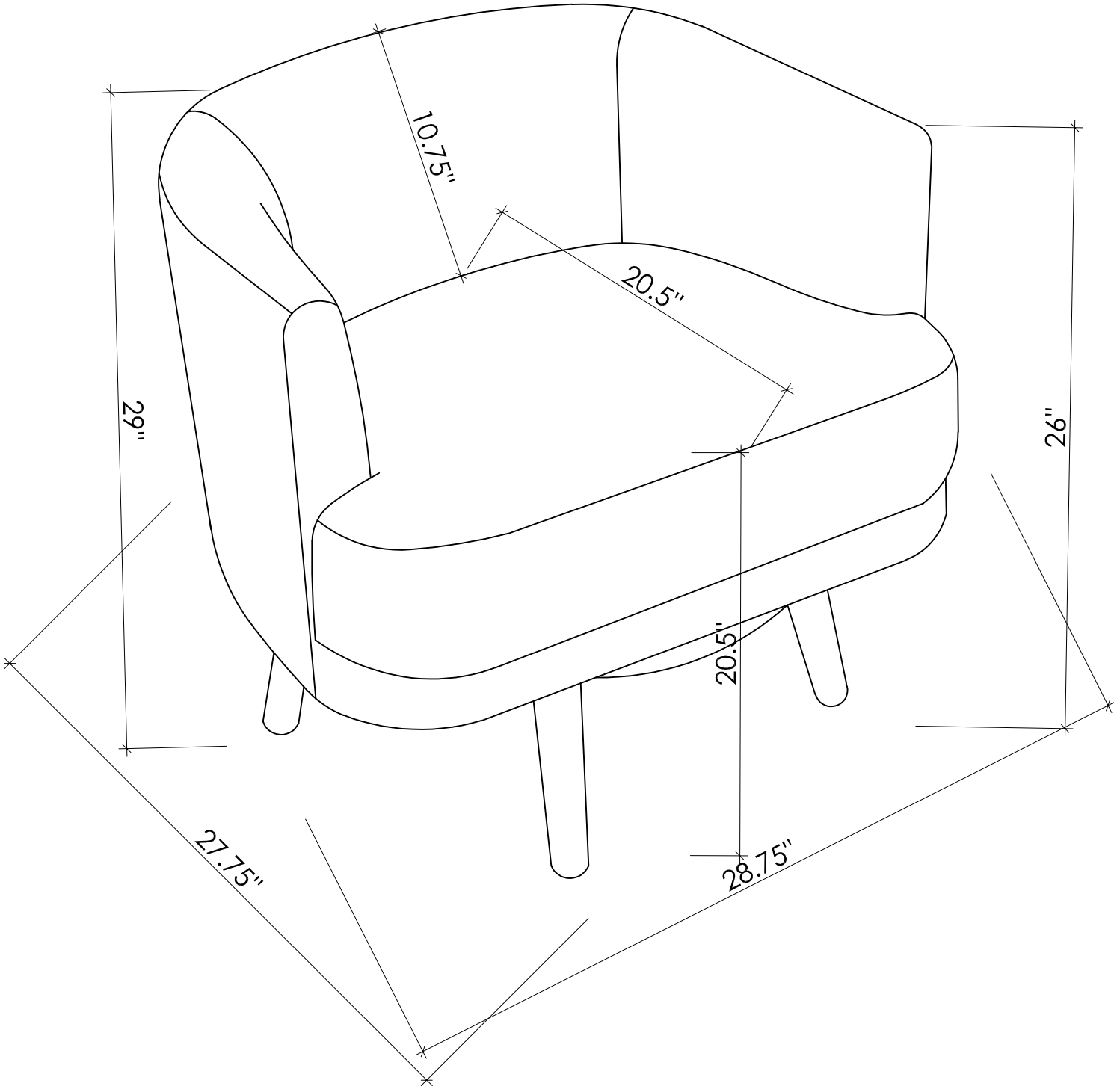
Step 2:

Prepare the hardware set to install the round swivel plate onto the frame.

Assemble it in order from bottom to top as illustrated, tighten the screws clockwise, and securely fasten all four mounting points of the swivel plate to ensure it is firmly and safely fixed in place.



Step 3:



Warnings

1. **Please check if the components of the chair are all included and can be used normally.**
2. **Assemble all components according to the instruction correctly before you use the chair.**
3. **Please DO NOT sit on the armrests to eliminate the risk of tipping over.**
4. **If the chair is damaged or doesn't match the website description, please send clear pictures of the product and label of the carton to our service team for further help.**
5. **If you have any questions with the product, please contact us by:
Email: customerservice@zoy-living.com(We will reply to you within 24 hours)**

