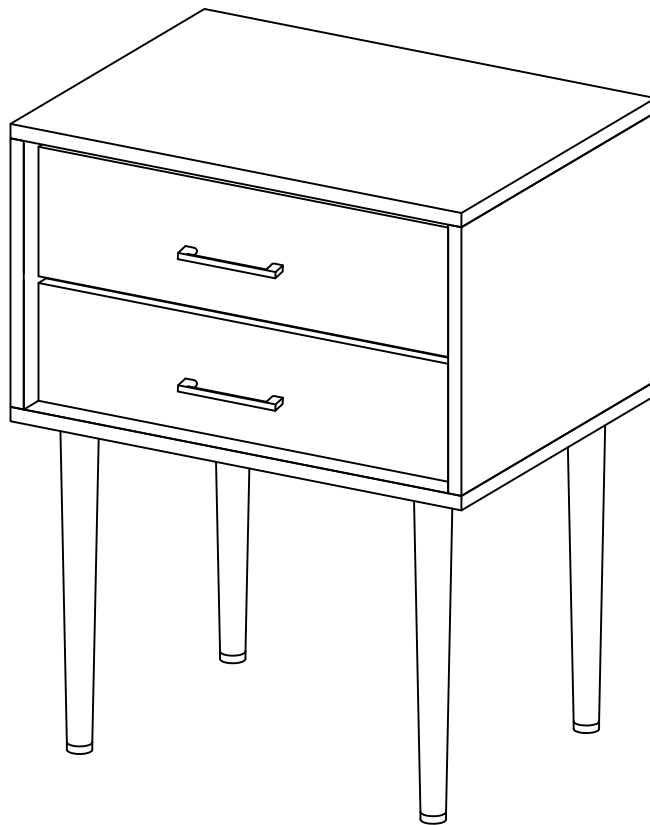


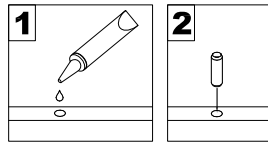
## Assembly Instructions



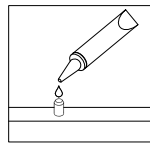
*Please visit our website for the most current instructions, assembly tips, report damage, or request parts.*

# General Assembly Guidelines

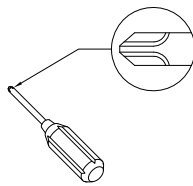
- I. Ensure that all parts and hardware are available before beginning assembly.
- II. Follow each step carefully to ensure the proper assembly of this product.
- III. Two people are recommended for ease in the assembly of this product.
- IV. The three main types of hardware used to assemble this product are : wood dowels , screws and bolts.
- V. The provided glue is to secure wood dowels in place . When first inserting dowels , locate the appropriate hole for the dowel , place a small amount of glue in the hole and insert the dowel . Wipe away excess glue immediately.



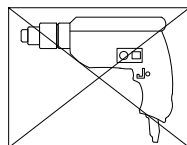
In future assembly steps when dowels are necessary to attach assembly parts together , place a small amount of glue on the end of the dowel before attaching parts together . Wipe away excess glue immediately.



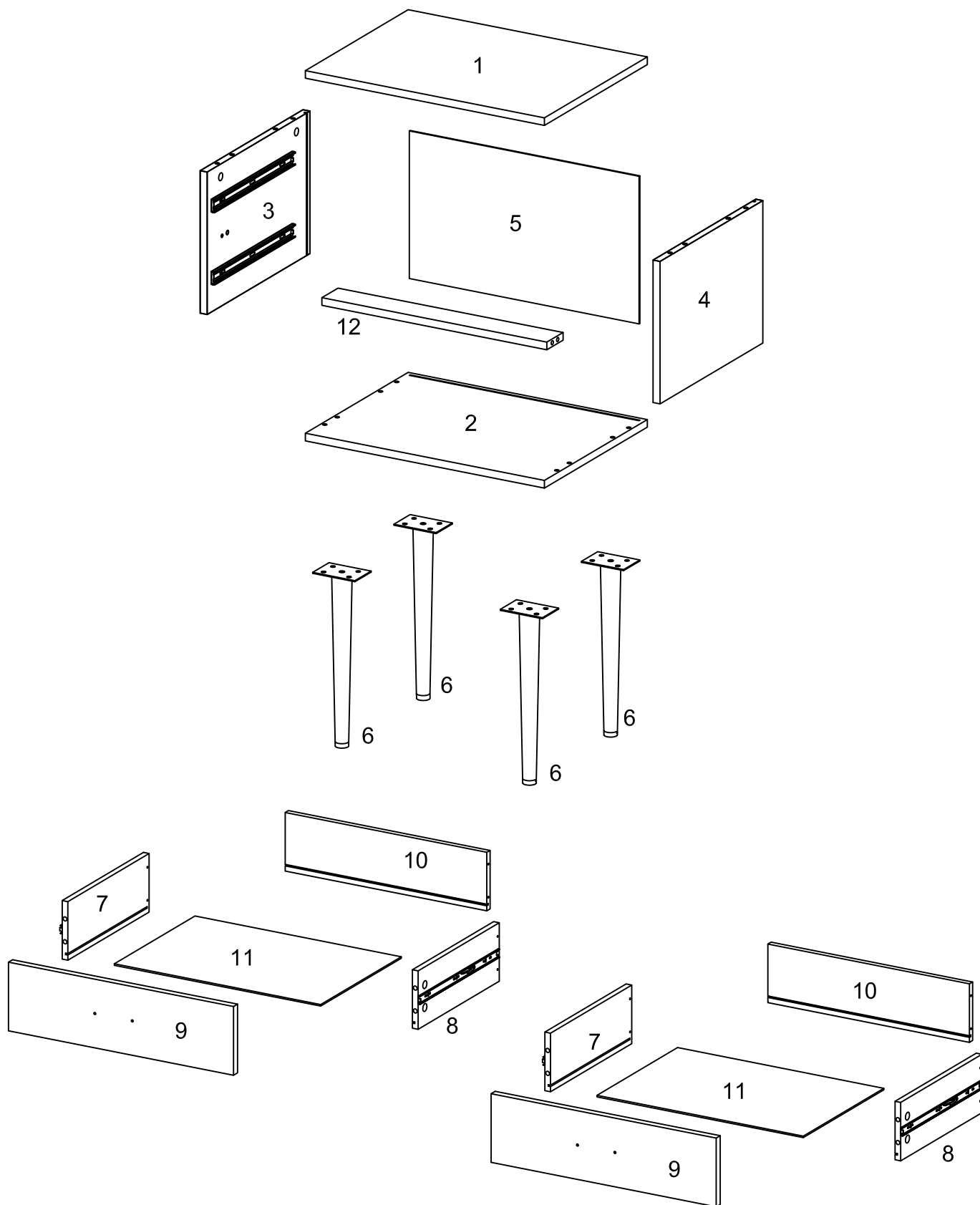
- VI. A Phillips head screwdriver is required for the assembly of this product .






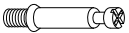
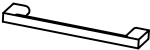

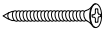

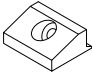


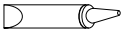
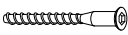

- VII. Power tools should not be used to assemble this product .

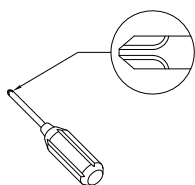


# Parts List



# Hardware List

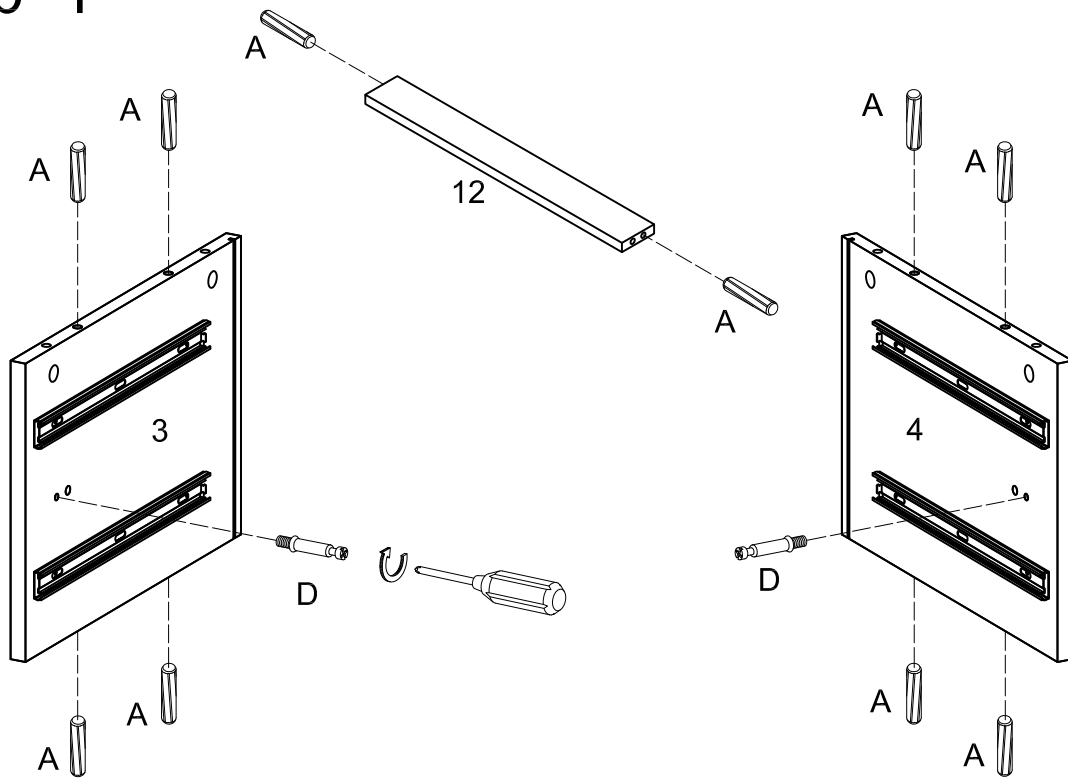
A		Ø8x30mm	Wooden dowel	10 pcs
B		Ø15x12mm	Cam lock	6 pcs
C		Ø15x9mm	Cam lock	8 pcs
D		Ø6x32mm	Cam bolt	14 pcs
E			Handle	2 pcs
F		Ø4x22mm	Bolt	4 pcs
G		Ø4x32mm	Screw	8 pcs
H		M6x12mm	Bolt	16 pcs
I			Plastic wedge	4 pcs
J		Ø3x17mm	Flat-head screw	4 pcs
K		Ø30	Sticker	14 pcs
L			Glue tube	1 pc
M		Ø6x50mm	Bolt	4 pcs
N		M4	Wrench	1 pc



Philips head screwdriver required for assembly  
(not included)

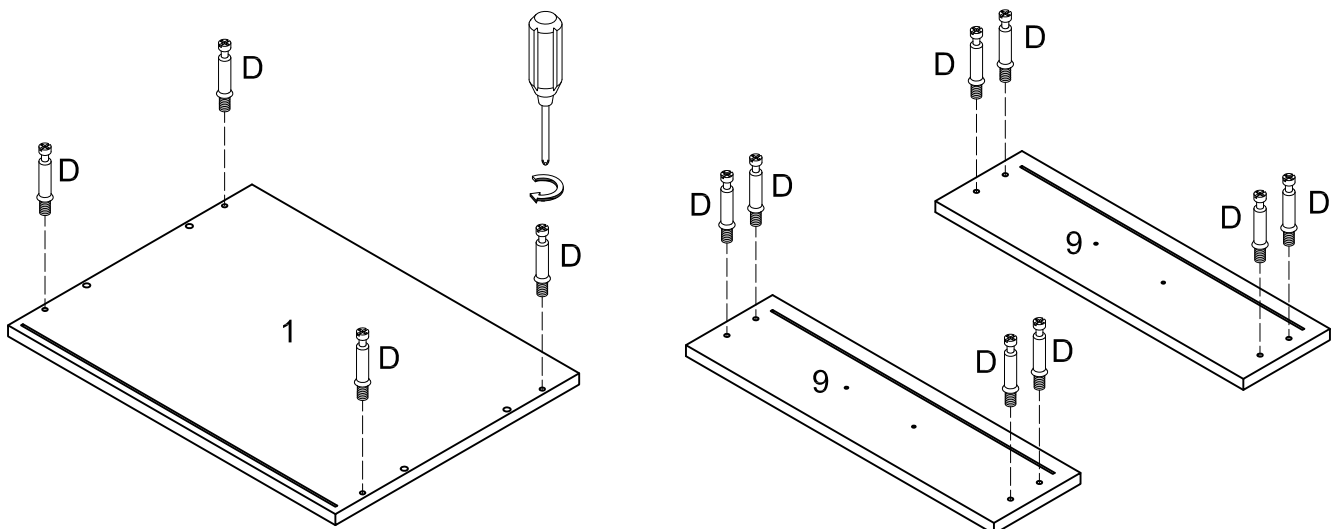
*The hardware quantities listed above are required for proper assembly.  
Some extra hardware may also have been included.*

# Step 1



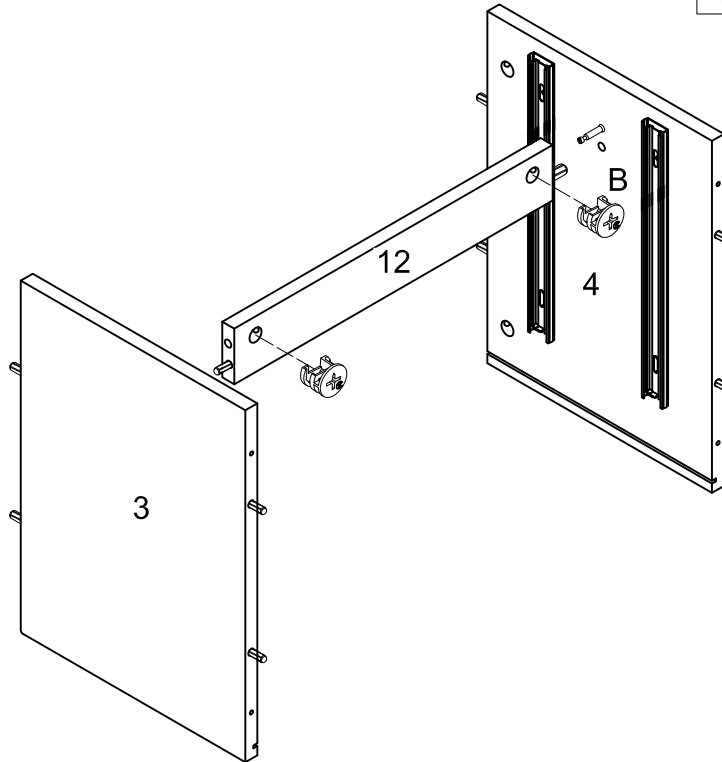
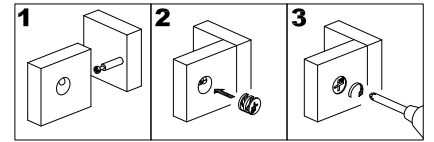
Insert dowels (A) into side panels (3)(4) and slat (12). Screw cam bolts (D) into side panels (3,4).

# Step 2



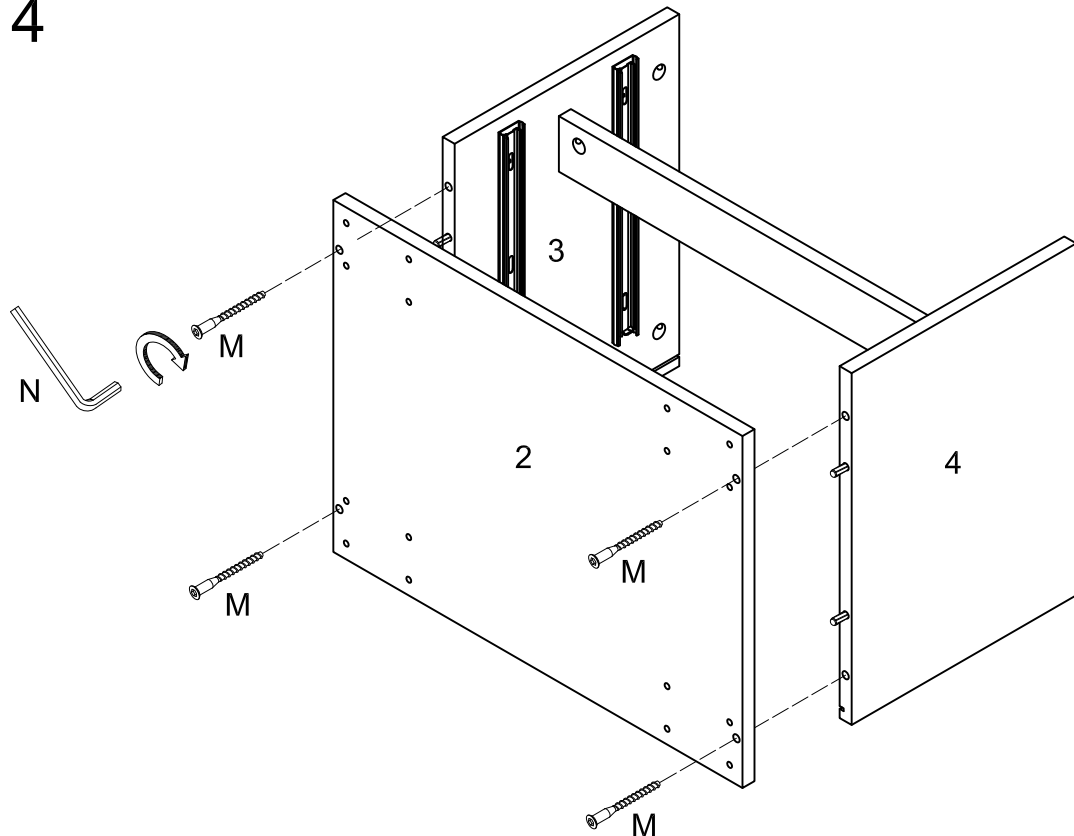
Screw cam bolts (D) into panels (1,9).

## Step 3



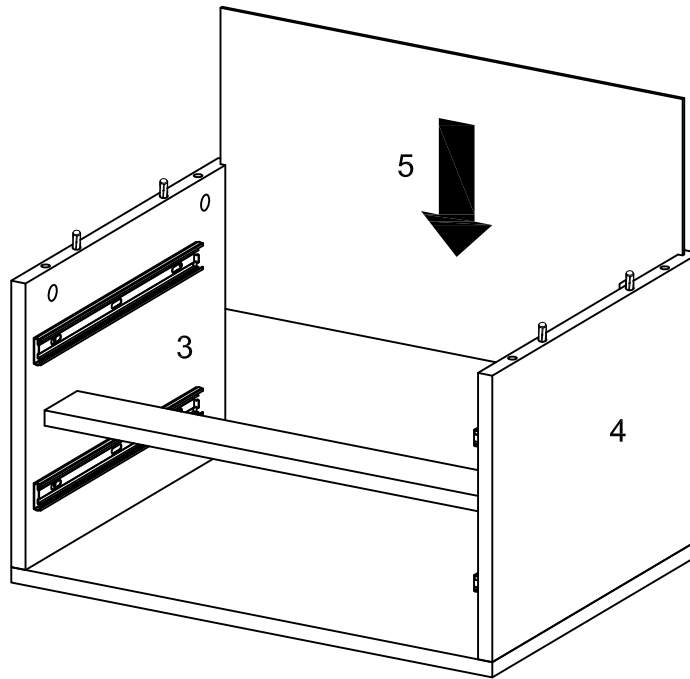
Attach side panels (3,4) to the slat (12). Insert cam locks (B) into slat (12) and tighten with a screwdriver.

## Step 4



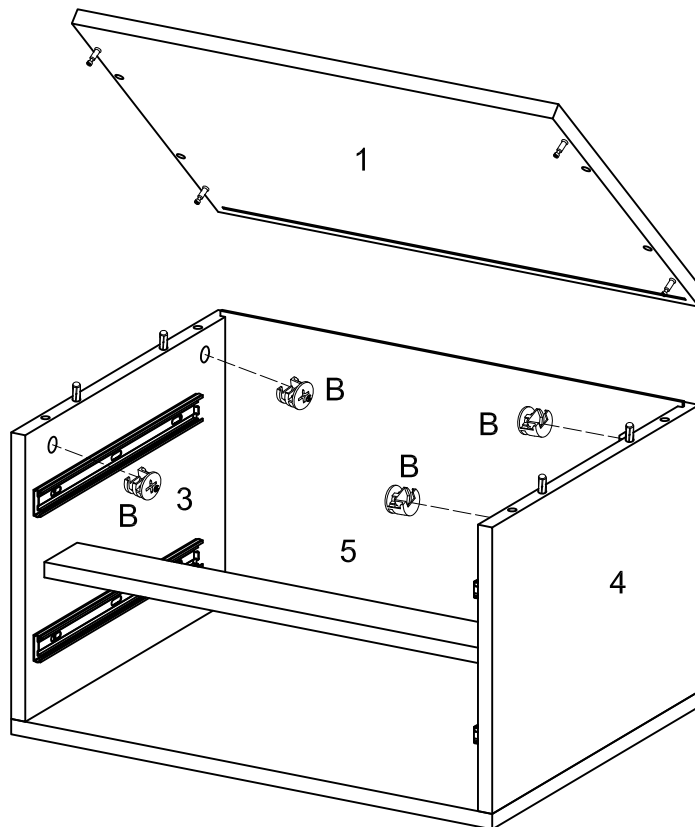
Use wrench (N), screw (M) to secure the bottom panel (2) to the side panels (3,4).

## Step 5



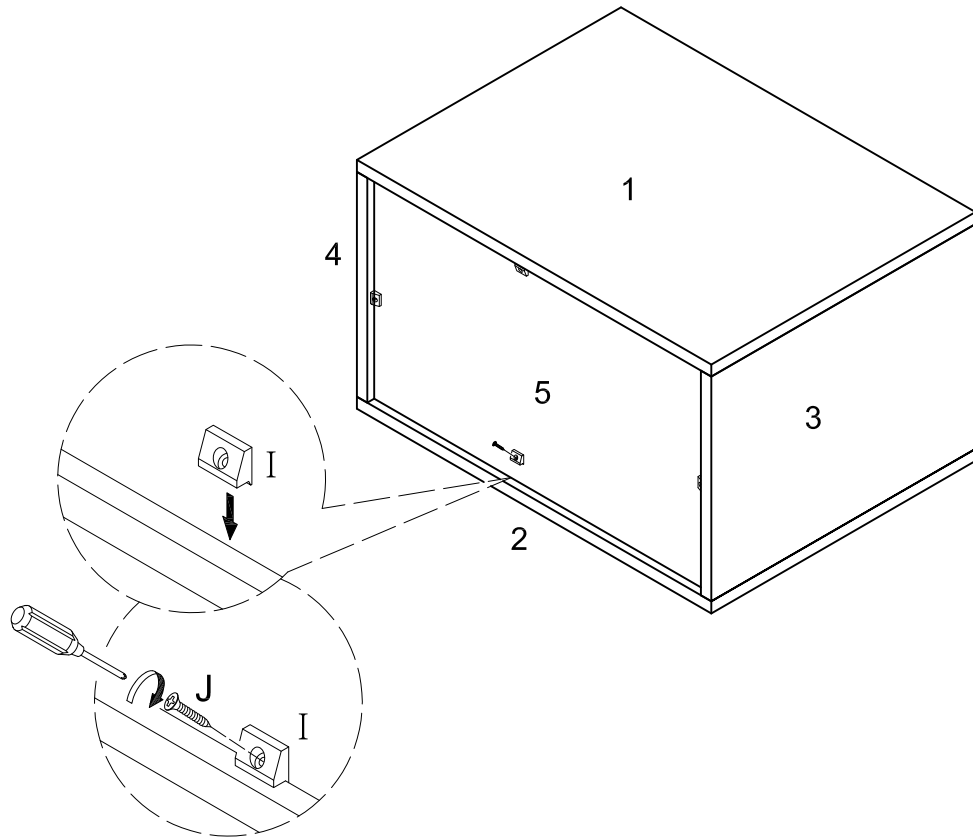
Slide back panel (5) into groove.

## Step 6



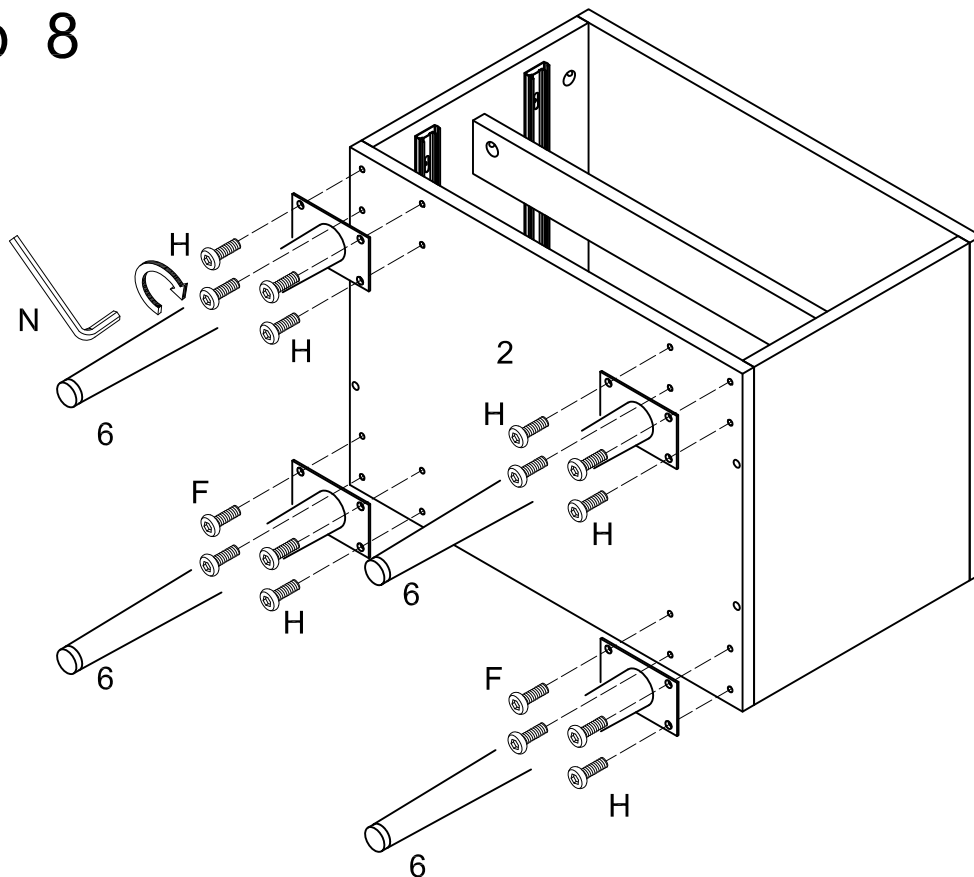
Place the top panel (1) to the side panels (3,4). Insert cam locks (B) into side panels (3,4) and tighten with a screwdriver.

## Step 7



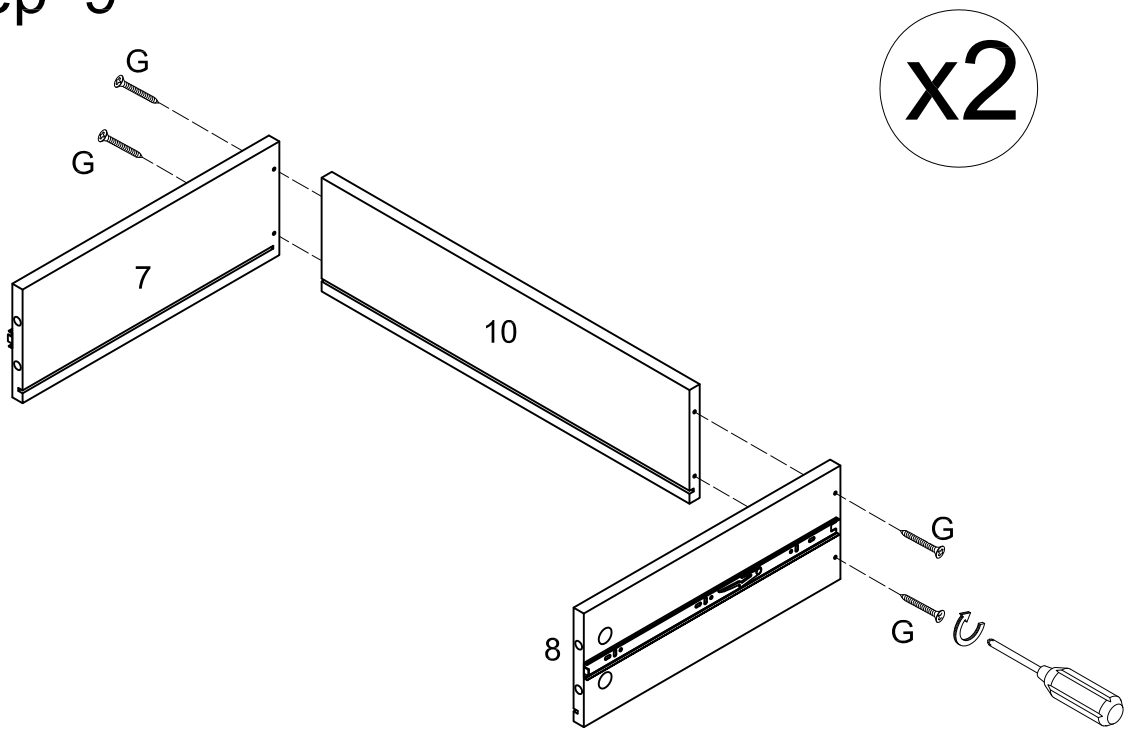
Secure the back panel (5) by using the plastic wedge (I) and screw (J).

## Step 8



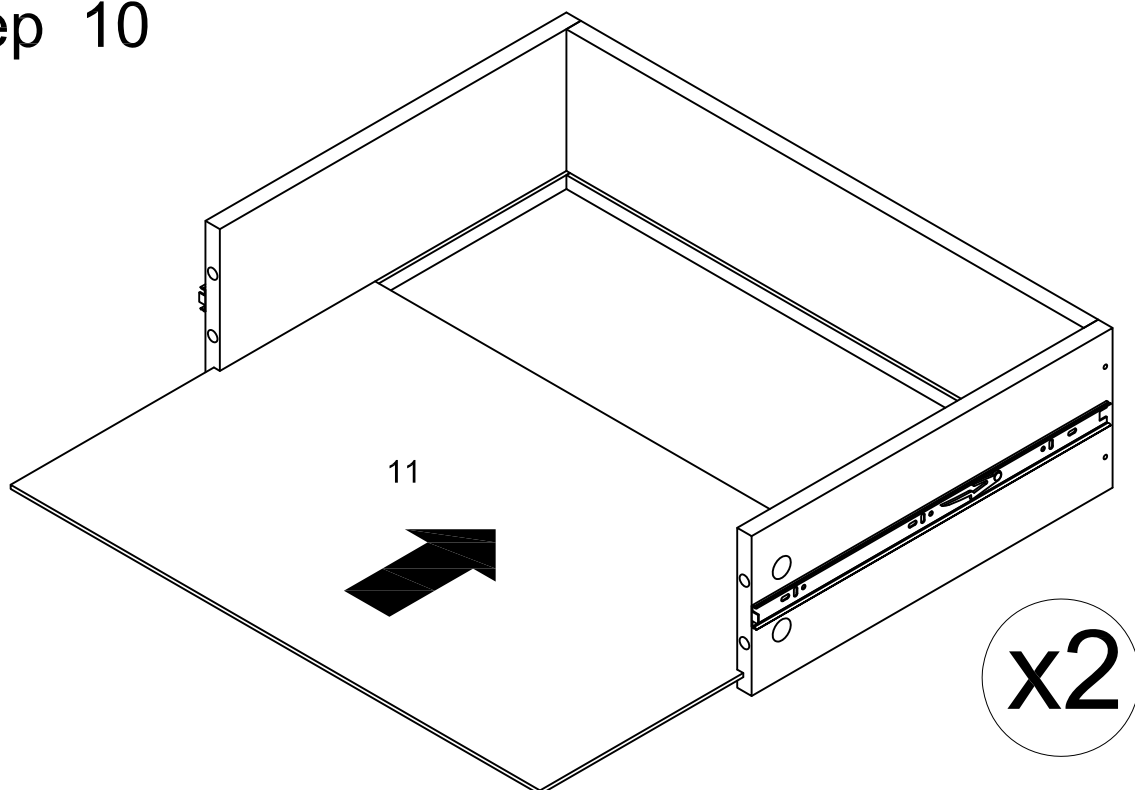
Use wrench (N), bolts (H) to secure legs (6) into bottom panel (2).

## Step 9



Use screw (G) to secure the drawer side panels (7,8) into drawer back panel (10).

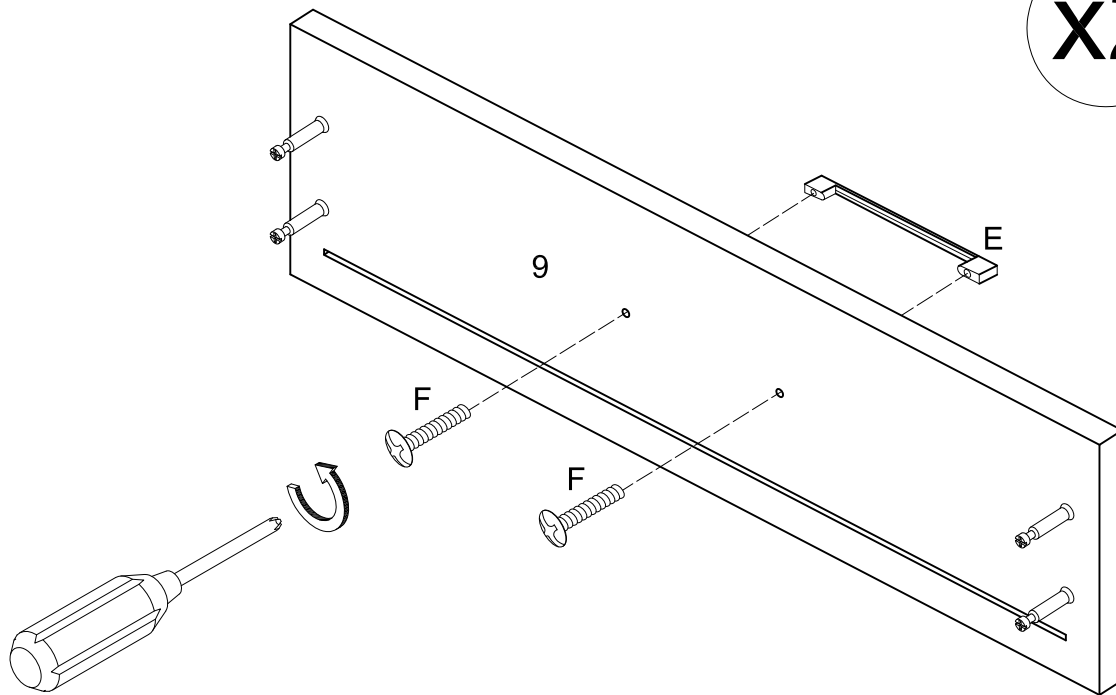
## Step 10



Slide drawer bottom panel (11) into groove.

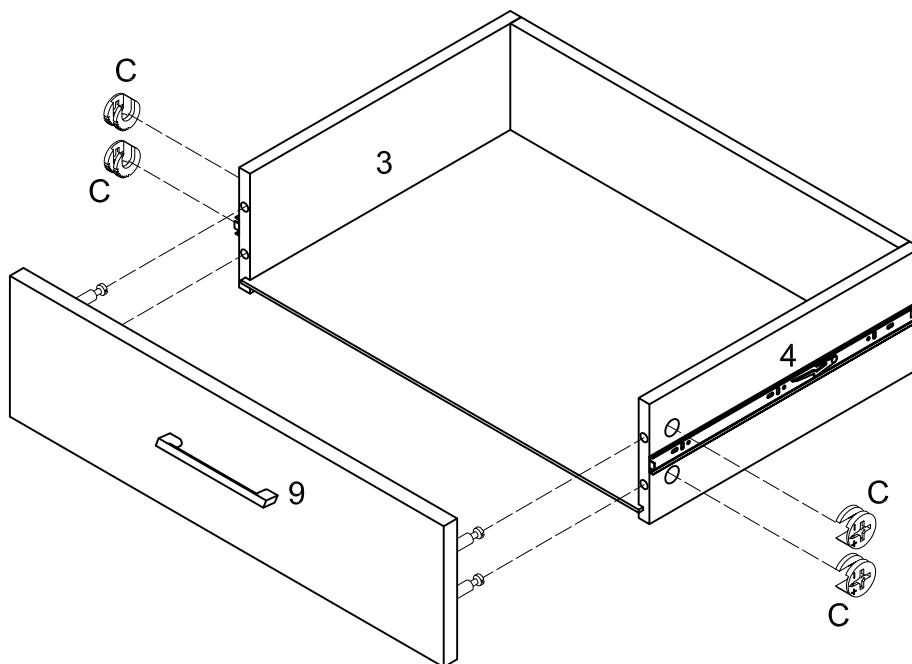
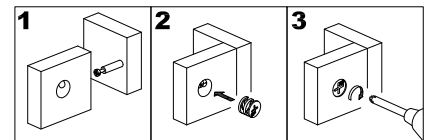
# Step 11

x2



Secure handle (E) with bolts (F) into drawer front panel (9).

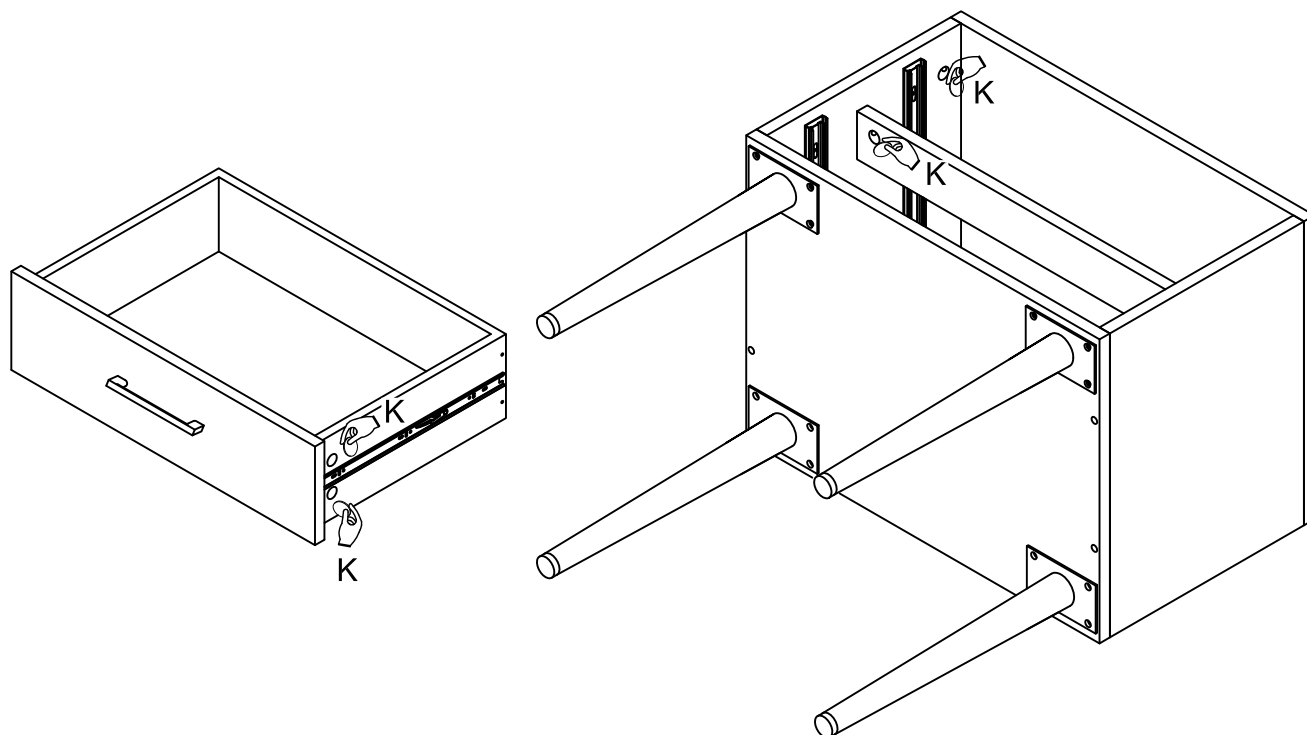
# Step 12



x2

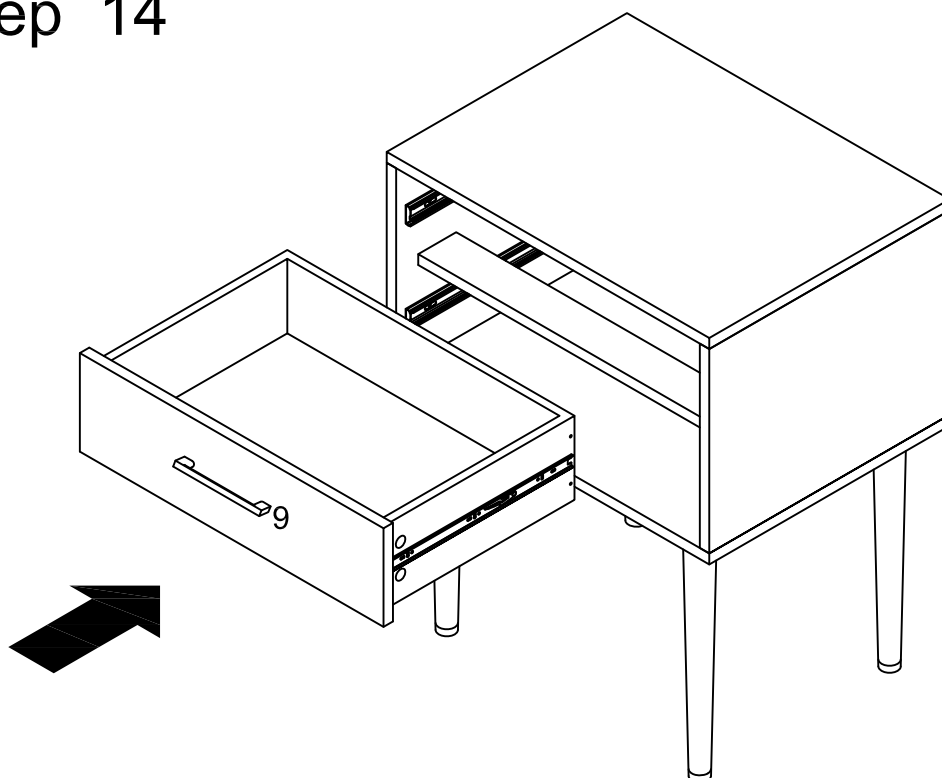
Attach drawer front panel (9) to drawer side panels (3,4). Insert cam locks (C) into drawer side panels (3,4) and tighten with a screwdriver.

## Step 13



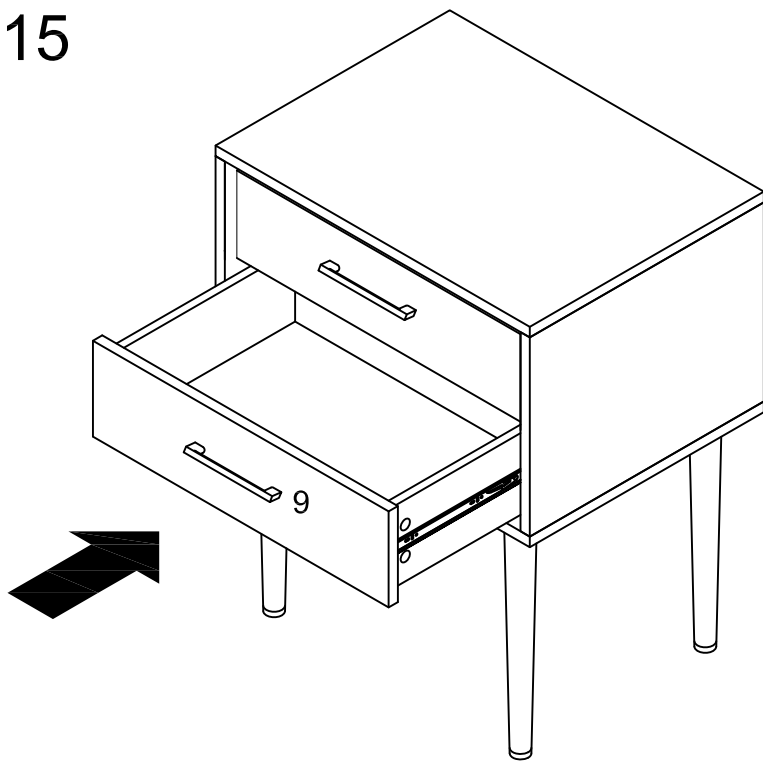
Place sticker (K) over holes as per diagram.

## Step 14



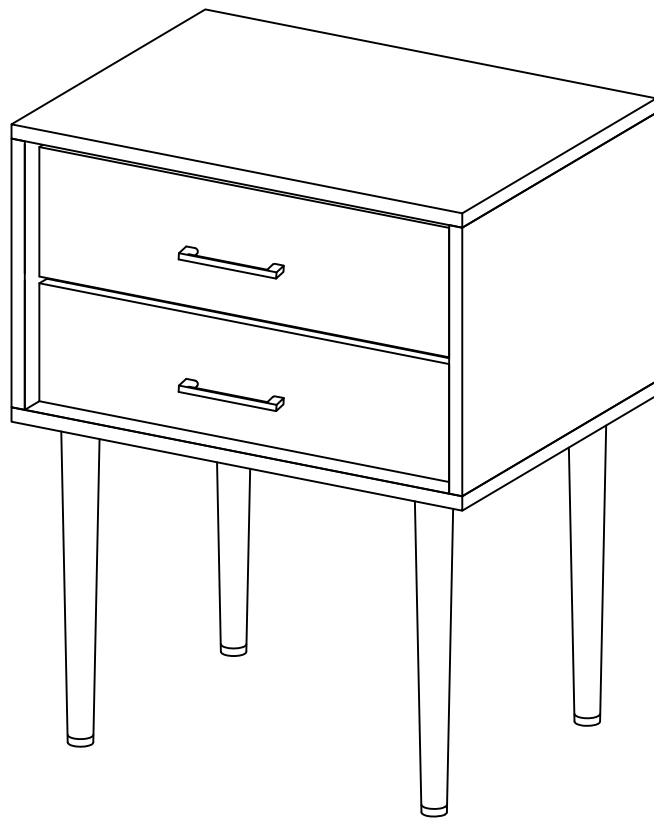
Carefully slide the drawer into the stand assembly. To remove the drawer, pull it out and press the small lever on the tray bracket, located inside the tray arm. Then carefully pull the two pieces apart.

## Step 15



Repeat Step #15.

## Step 16



Final Assembly