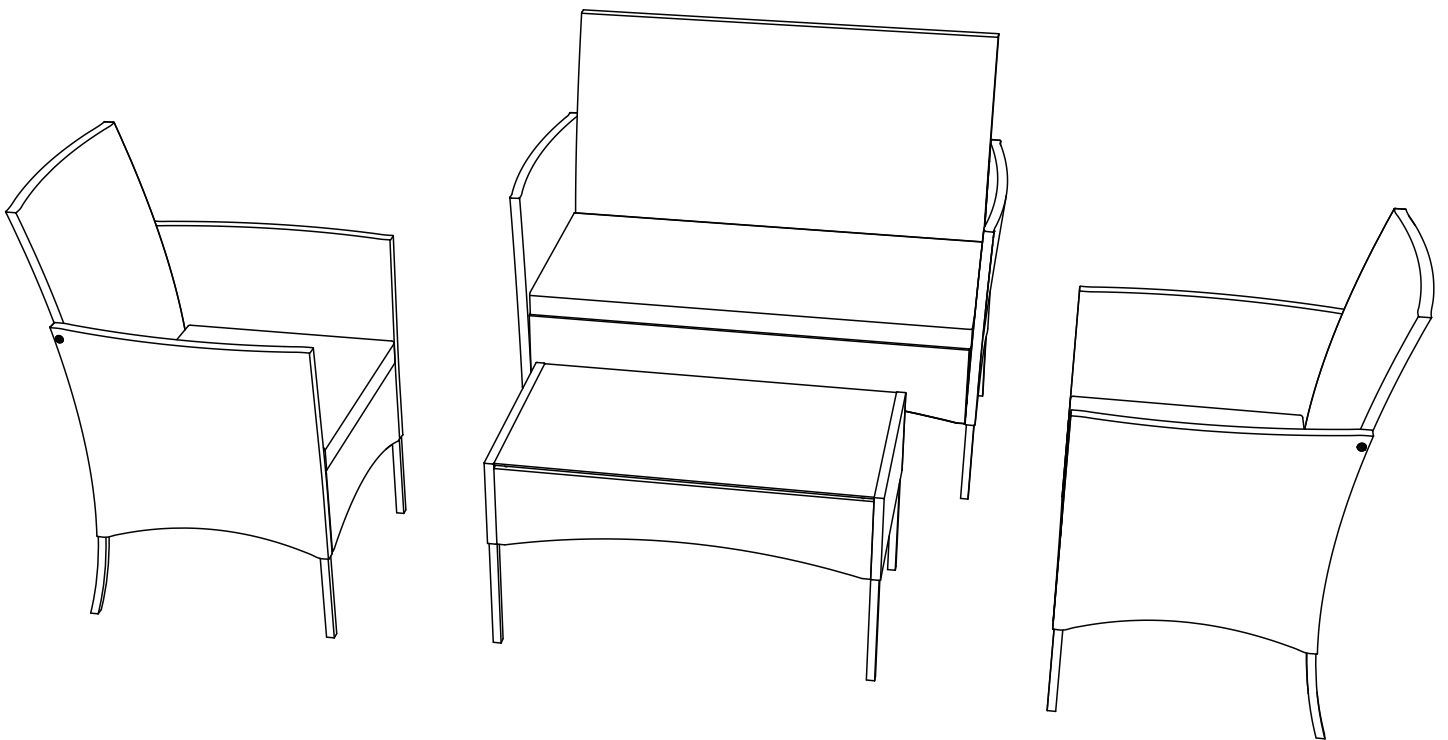


# Rattan Four-piece Set



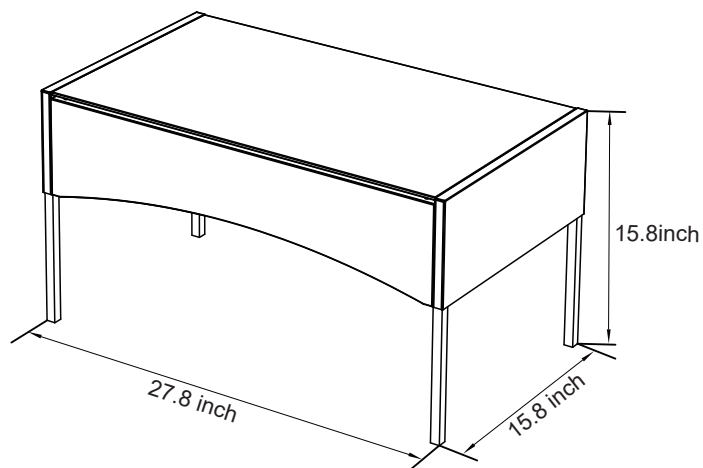
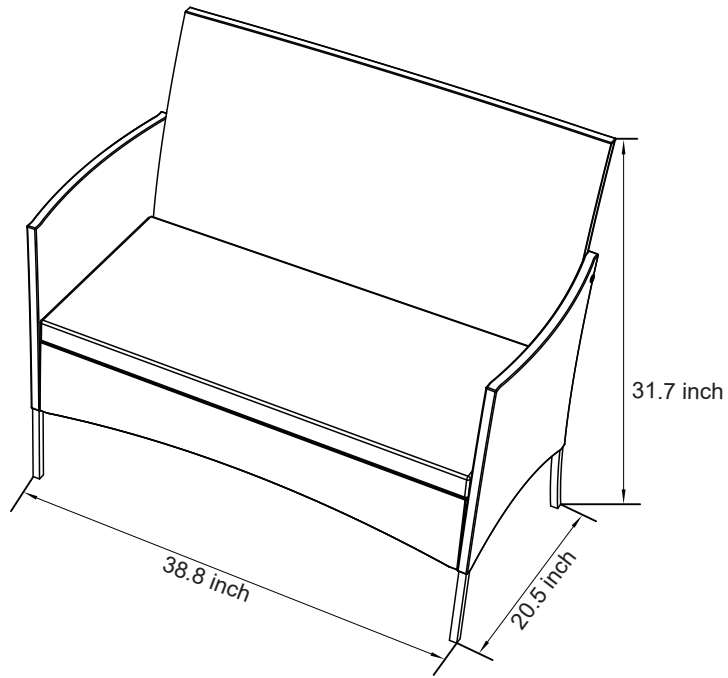
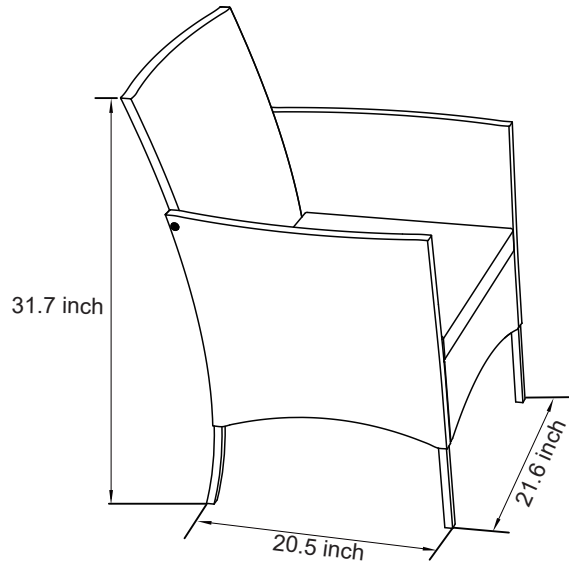
## 24-P018-B00

**IMPORTANT**

**PLEASE READ BEFORE YOU COMMENCE ASSEMBLY**

Follow the guidelines in this user guide to ensure correct  
assembly and care for this product

# SPECIFICATIONS



# Instructions

Thank you for ordering the rattan four pieces set, here are some tips which may help you:

1. The cushion cover can be removed and washed.

2. The seat cushion may have some wrinkles. They will fully return to the original thickness after a while.

3. If any part is damaged or missing (please refer to packing list on page 5~6), please feel free to contact us. We will send you the replacement immediately.

4. In order to prolong the set's service life, we suggest that you put all the cushions indoors on a rainy day.

5. We hope you can enjoy our product, if you have any other problem, please feel free to contact us.

## How To Cover Holes & Repair Broken Wicker



Step 1



Step 2



Step 3



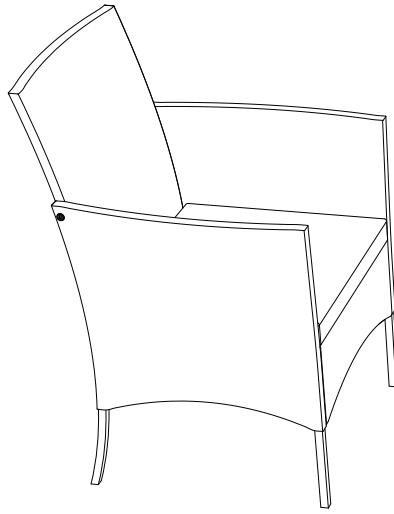
Step 4

You can use two pieces PE wicker to cover the hole, and repeat the steps to cover all the holes. These PE wicker can also be used to repair the scratch or broken wicker.

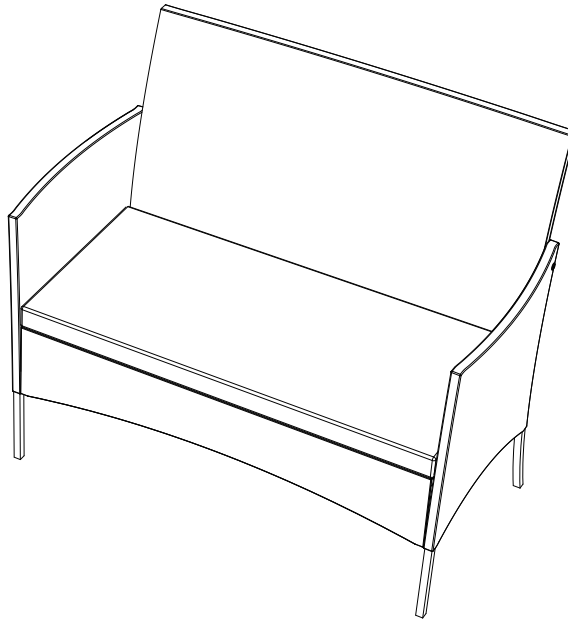
# Catalog

Specifications.....	01
Instructions.....	02
Packing List.....	04
Parts List.....	05
Extra.....	05
How to Assemble Single Chair .....	06
How to Assemble Double Seat Chair .....	09
How to Assemble Dining Chairs .....	12

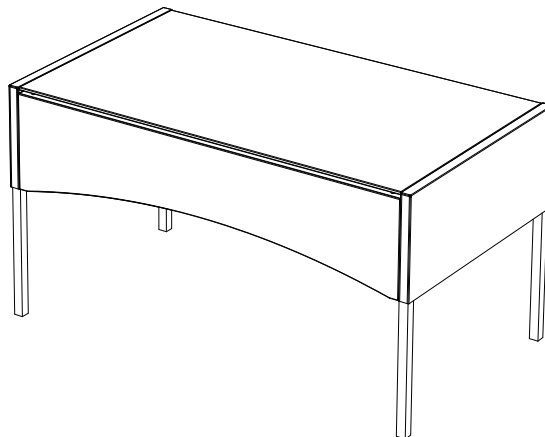
# Packing List



Single seat X2

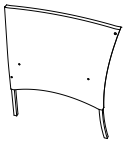
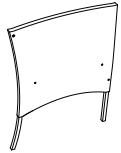

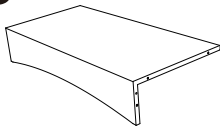
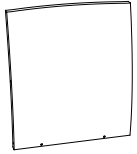
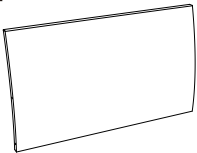

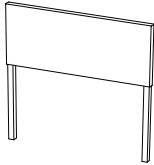

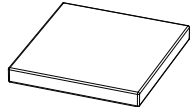



Double seat X1






Coffee table X1



## PARTS LIST

<b>A</b>	<b>B</b>	<b>C</b>	<b>D</b>	<b>E</b>
				
Right armrest	Left armrest	Single chair base plate	Double chair base plate	Single-seat backrest
3PCS	3PCS	2PCS	1PC	2PCS
<b>F</b>	<b>G</b>	<b>H</b>	<b>I</b>	<b>J</b>
				
Double-seat backrest	Coffee table glass	Coffee table leg	Coffee table side panel	Single seat cushion
1PC	1PC	2PCS	2PCS	2PCS
<b>K</b>				
				
Double seat cushion				
1PC				

## Screw Set

<b>L</b>	<b>M</b>	<b>N</b>		
				
M6*35	M6 Metal Gasket	M6 Universal Wrench		
39PCS	39PCS	1PC		

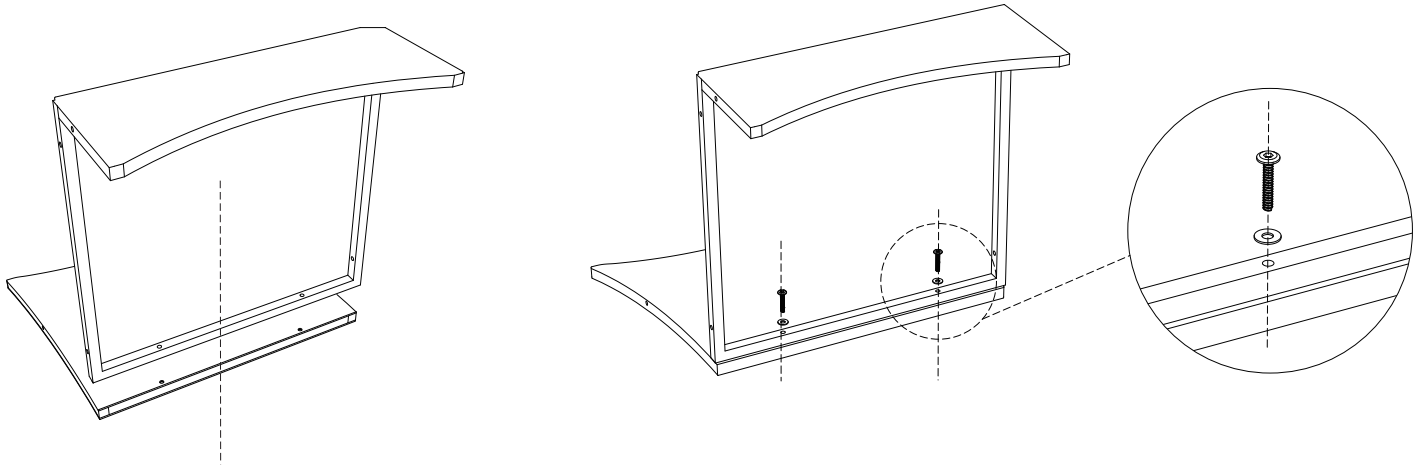
## Extra

<b>L</b>	<b>M</b>			
				
M6*35	M6 Metal Gasket			
4PCS	4PCS			

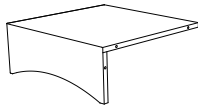
## How To Assemble Single Chair

**Step 1:** Connect the single-seat backrest(E) and the base plate(C) with the screws(L).

**NOTE:** Do not tighten all screws now.

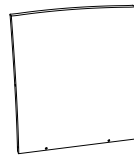


C



x1

E



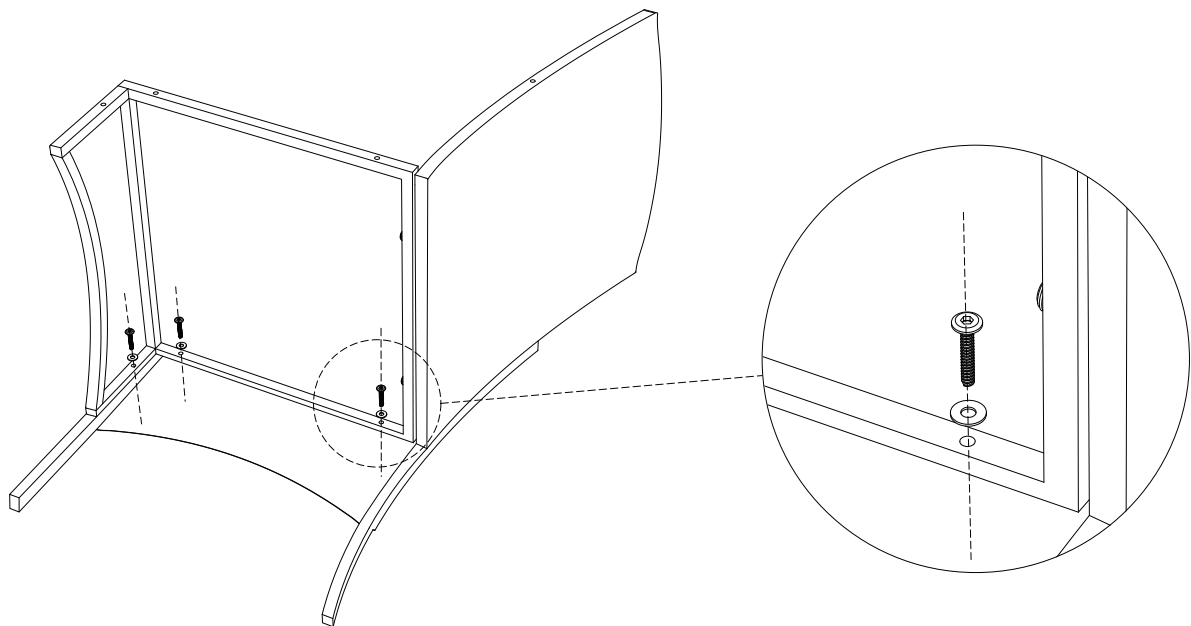
x1

L M6x35 x2

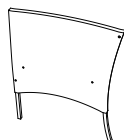
M x2

**Step 2:** Connect the right armrest(A) and the chair with the screws(L).

**NOTE:** Do not tighten all screws now.



A



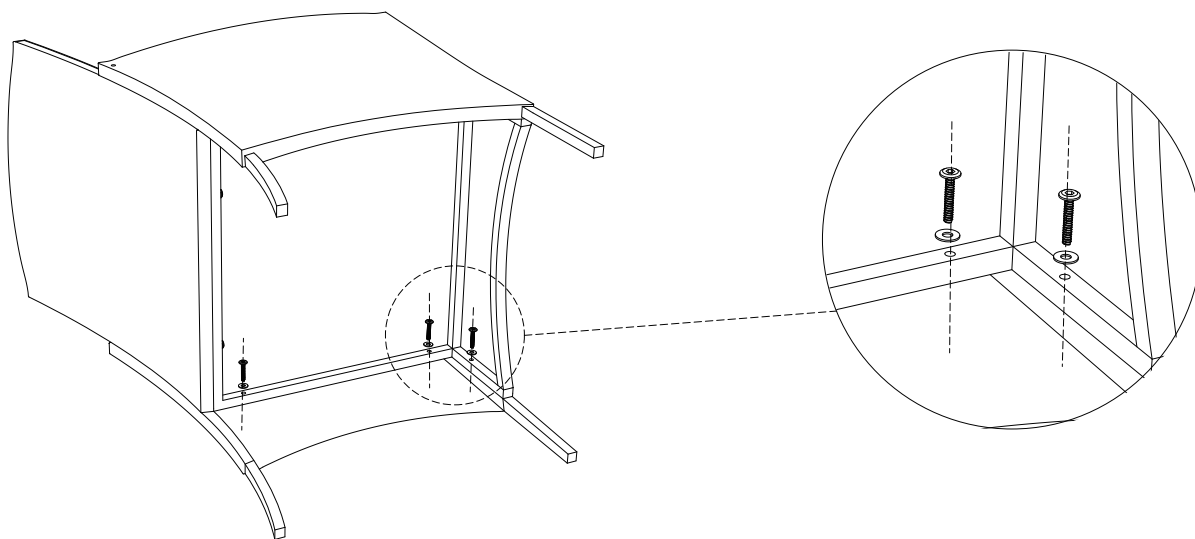
x1

L M6x35 x3

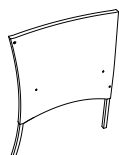
M x3

# Installation steps

**Step 3:** Connect the left armrest(B) and the chair with the screws(L).  
**NOTE:** Do not tighten all screws now.



B



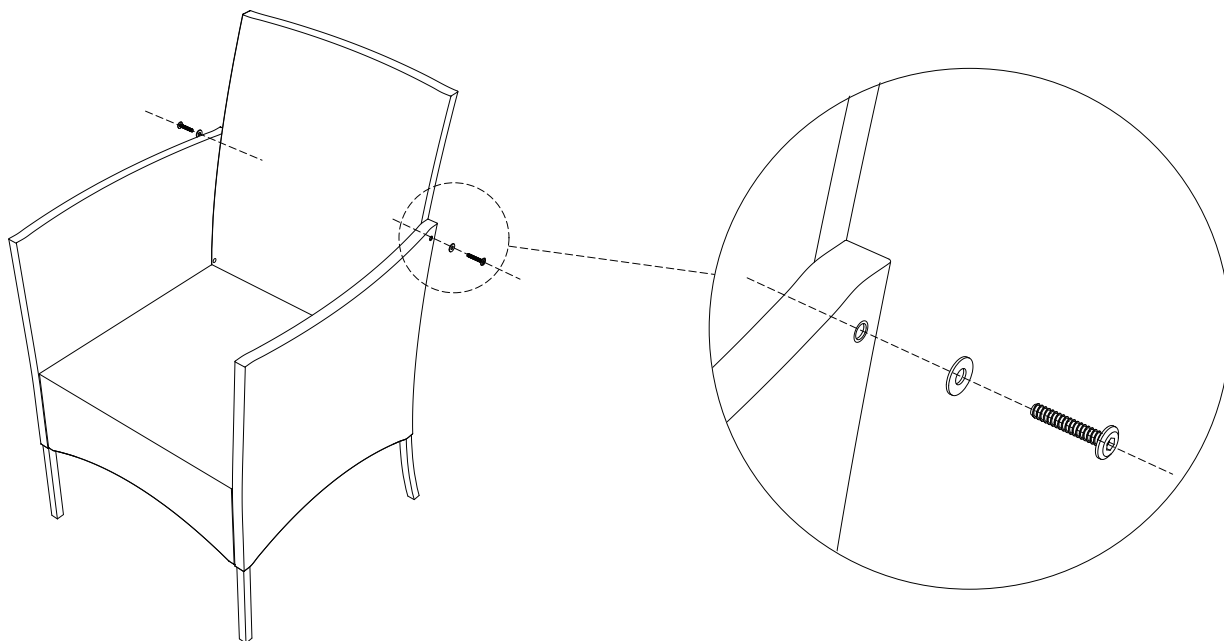
x1

L  M6x35 x3

M  x3

**Step 4:** Connect the backrest(E) and the armrest(A and B) with screws (L).

**NOTE:** Tighten all screws now.



L

 M6x35

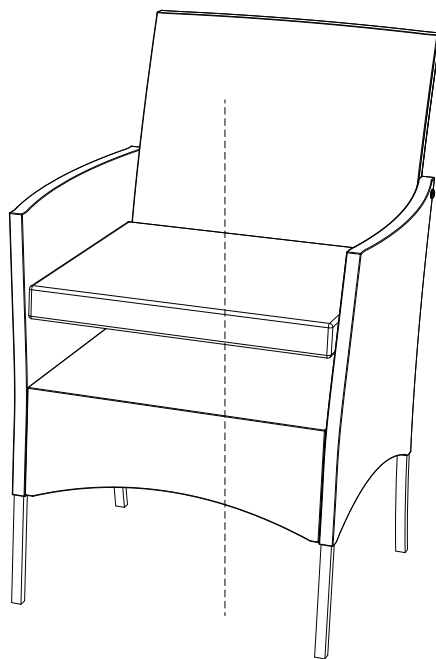
x2

M

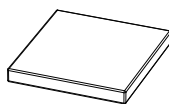


x2

**Step 5:** Put on the cushion(J).



J



x1

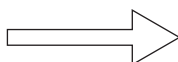
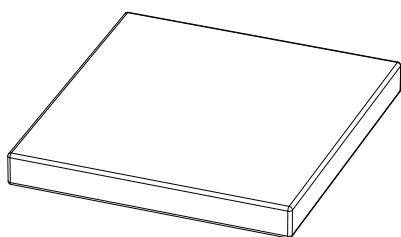
## How To Change The Cloth Cover



Put the white foam  
inside the cover



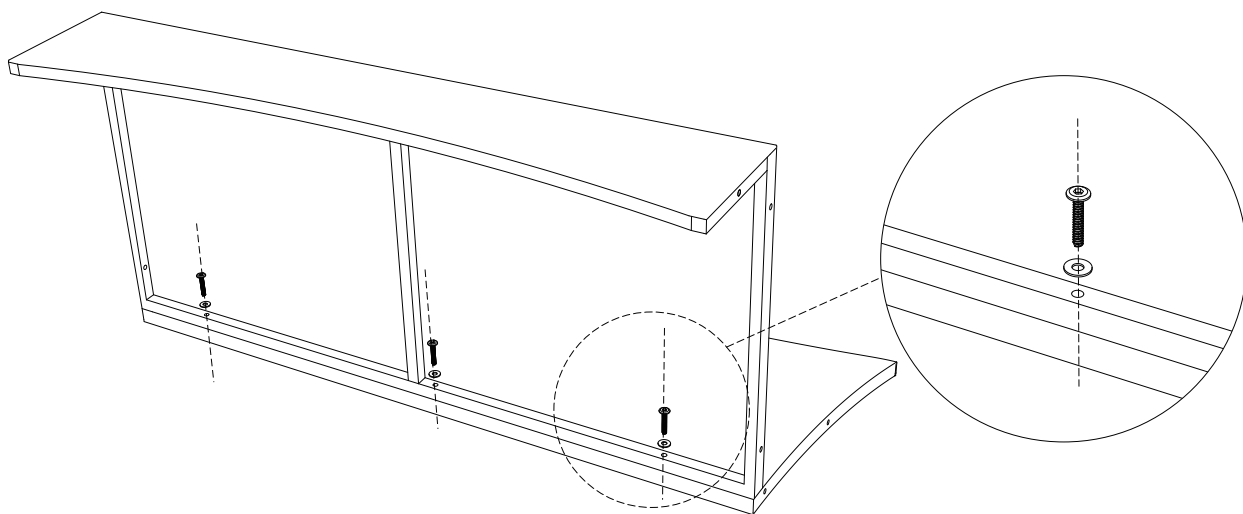
Seat Cushion



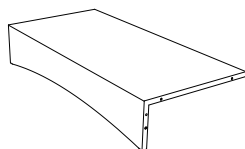
2pcs single seat cushions

## How To Assemble Double Seat Chair

**Step 1:** Connect the chair base plate(D) and backrest(F) with screws(L).  
**NOTE:** Do not tighten all screws now.

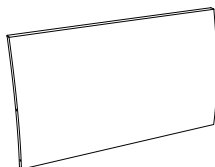


D



x1

F

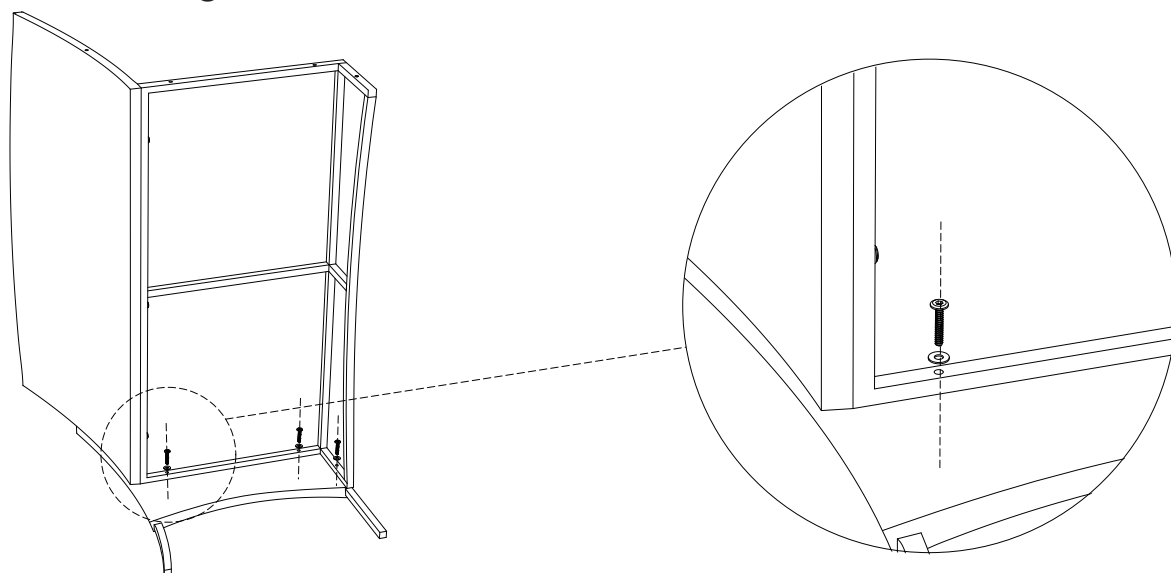


x1

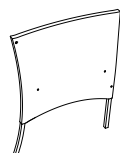
L  M6x35 x3

M  x3

**Step 2:** Connect the left armrest(B) and the chair with the screws(L).  
**NOTE:** Do not tighten all screws now.

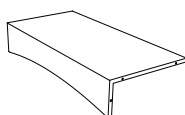


B



x1

D



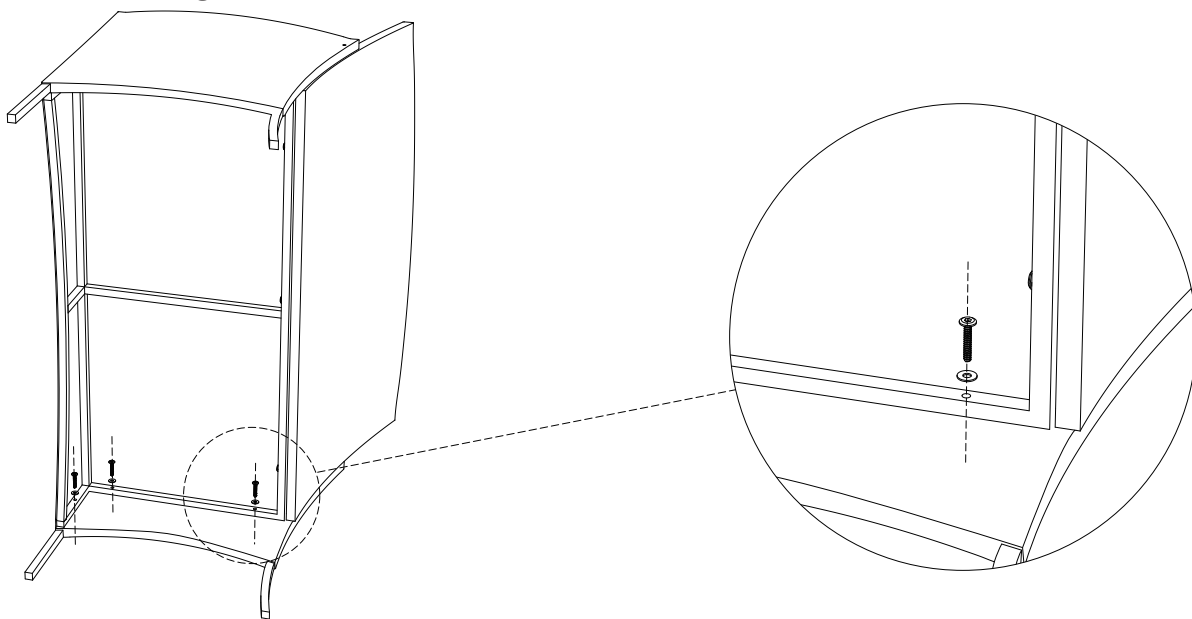
x1

L  M6x35 x3

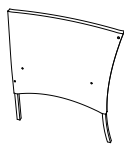
M  x3

# Installation steps

**Step 3:** Connect the right armrest(A) and the chair with the screws(L).  
**NOTE:** Do not tighten all screws now.



A

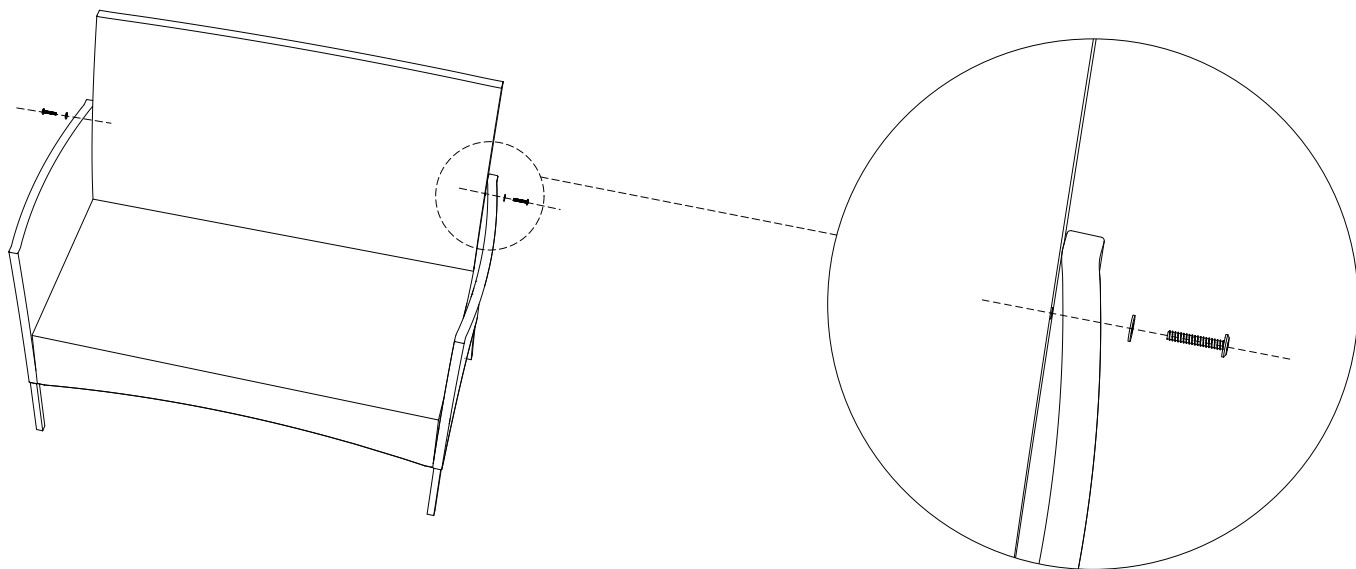


x1

L  M6x35 x3

M  x3

**Step 4:** Connect the chair armrest and backrest with screws(L).  
**NOTE:** Tighten all screws now.



L

 M6x35

x2

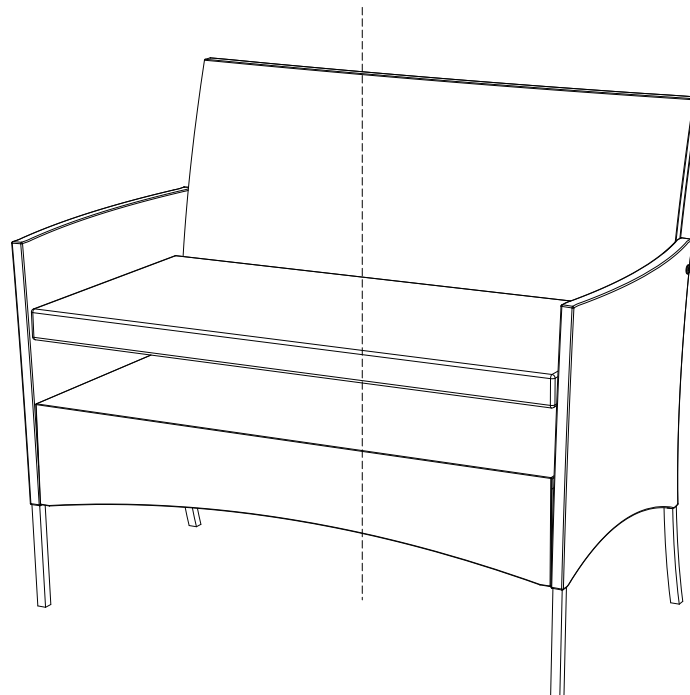
M



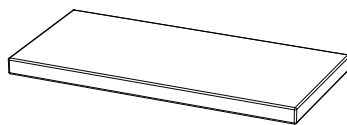
x2

# Installation steps

**Step 5:** Put on the cushion(K).



K



x1

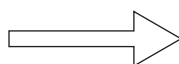
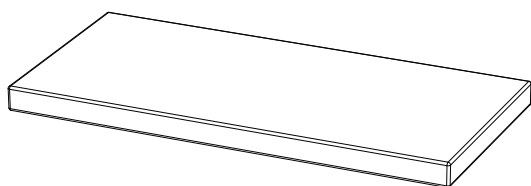
## How To Change The Cloth Cover



Put the white foam  
inside the cover



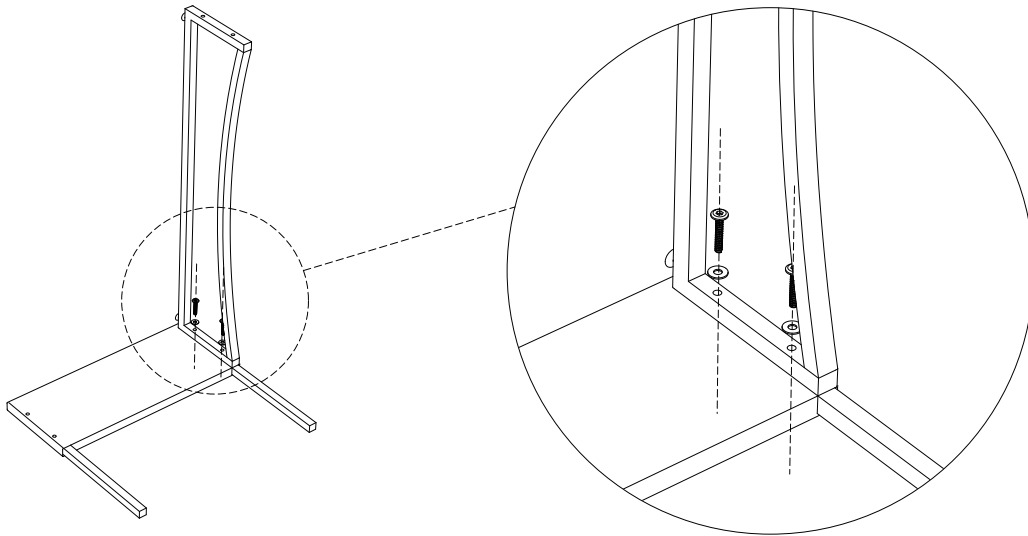
Seat Cushion



1pc double seat cushion

## How To Assemble Coffee Table

**Step 1:** Attach the coffee table leg(H) to the side panel(I) with screws(L).  
**NOTE:** Do not tighten all screws now.

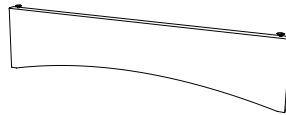


H



x1

I



x1

L



M6x35 x2

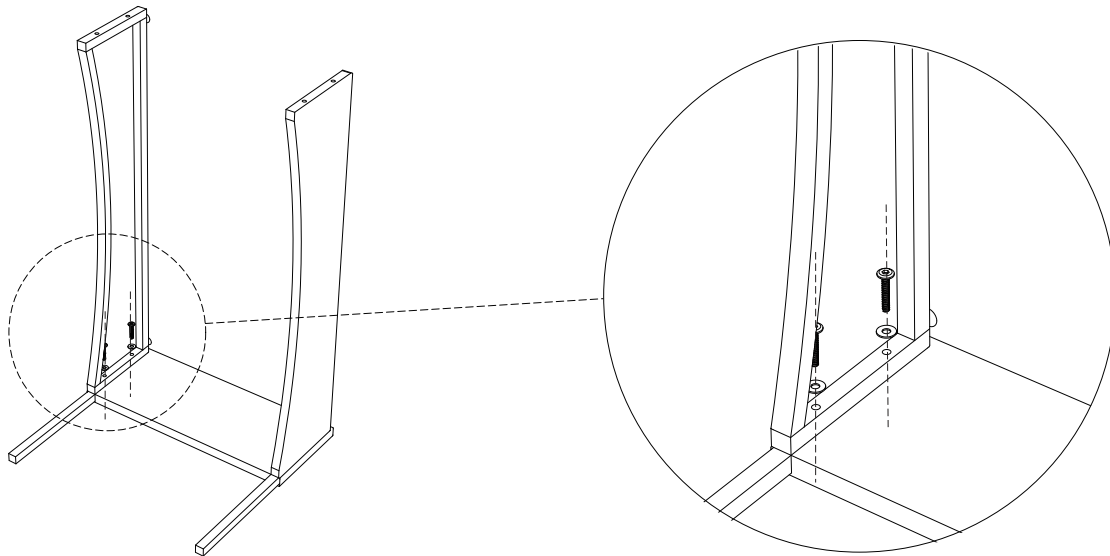
M



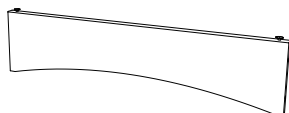
x2

**Step 2:** Attach the coffee table leg(H) to the other side panel(I) with screws(L).

**NOTE:** Do not tighten all screws now.



I



x1

L



M6x35 x2

M

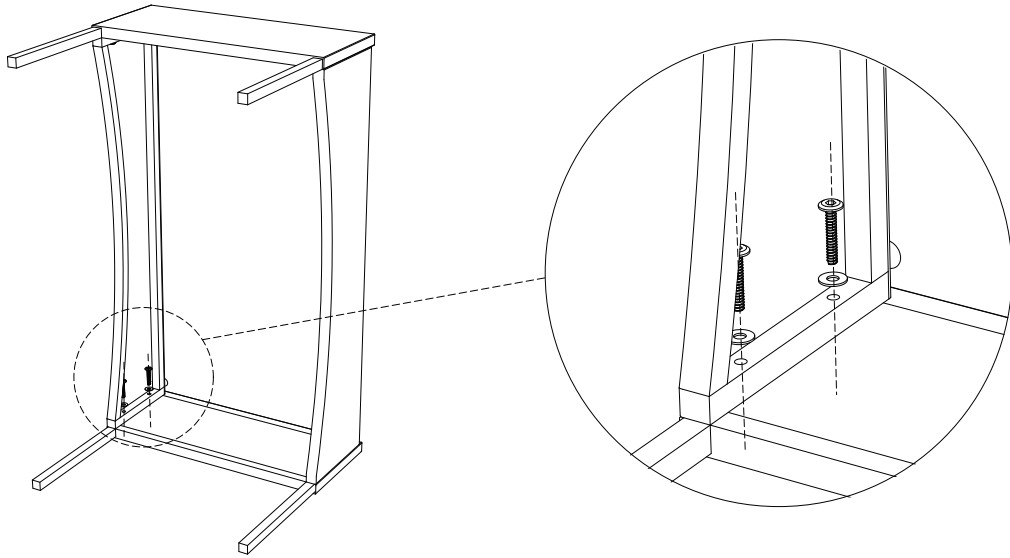


x2

# Installation steps

**Step 3:** Attach the other coffee table leg(H) to the table with the screws (L).

**NOTE:** Tighten all screws now.



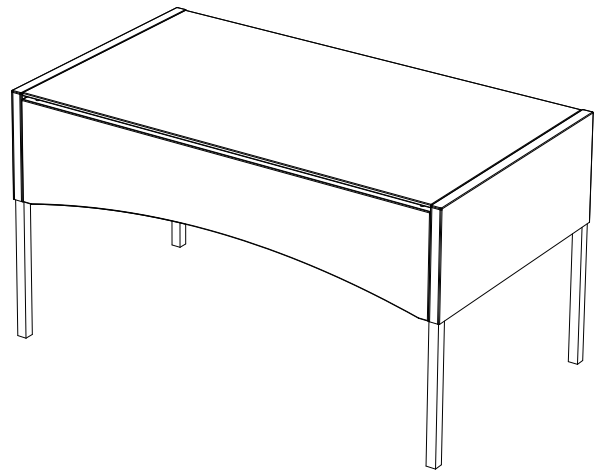
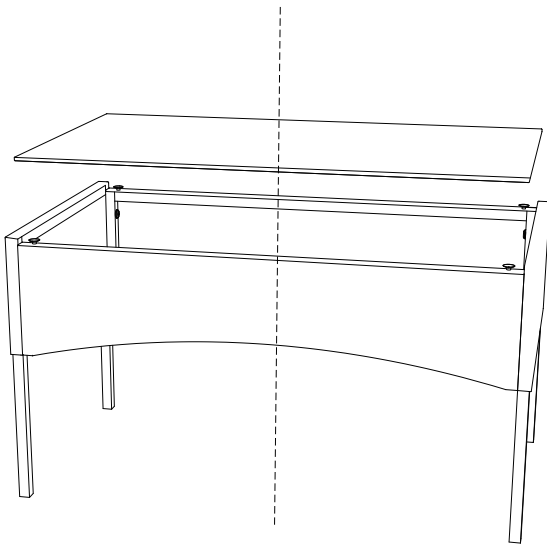
H



x1

L		M6x35	x4
M			x4

**Step 4:** Place the glass(G) on.



G



x1

