

THE MAIN PARAMETERS

MODEL	YF-SD7	YF-SD10
THE MOTOR POWER	750W	750W
THE RATED VOLTAGE	110V/60hz	110V/60hz
THE BIGGEST AND THE AMOUNT	4KG	5KG

Our factory guarantees on the product, the product sold in the second half, the malfunction caused by manufacturing quality truly, free maintenance.

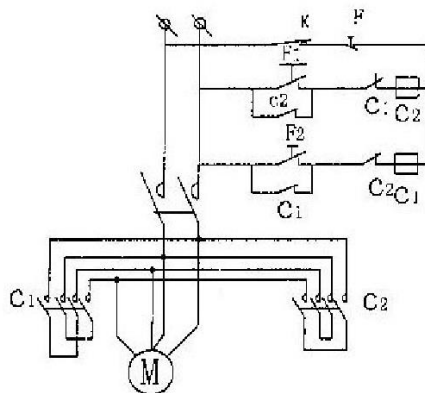
DOUGH KNEADING MACHINE INSTRUCTION

Please read the instructions carefully and used according to the instruction manual



Children do not near the machine Before using this machine operators

CIRCUIT DIAGRAM



C1 C2 said ac contactor **F** travel switch
F1 F2 said the start button **K1** said abrupt stop button
K2 said forward and reverse selection switch
M says three-phase motors

BRIEF INTRODUCTION

The SSD double electric mixer series is the latest independently developed a new generation of mixer. Fuselage are all made of high quality materials, combined with excellent surface treatment technologies, to overcome the traditional spray mixer discoloration of the skin of the rust off problem. To better meet the requirements of users. Widely used in hotel, the guesthouse, the factory canteen and bakery.

OPERATION SEQUENCE

A: good opened the package put the attachment, and check all the parts are in good condition and remove foreign bodies in barrels.
B: according to the nameplate voltage as shown in the connected power supply and the bottom line and reliable repeat grounding on the earthing terminal.
C: boot check whether the operating normally, if there are any abnormal should immediately stop, after being ruled out to boot.
D: clean and barrel after adding suitable amount of flour, water and spices, start the machine for about 5-10 minutes to get ideal dough.

