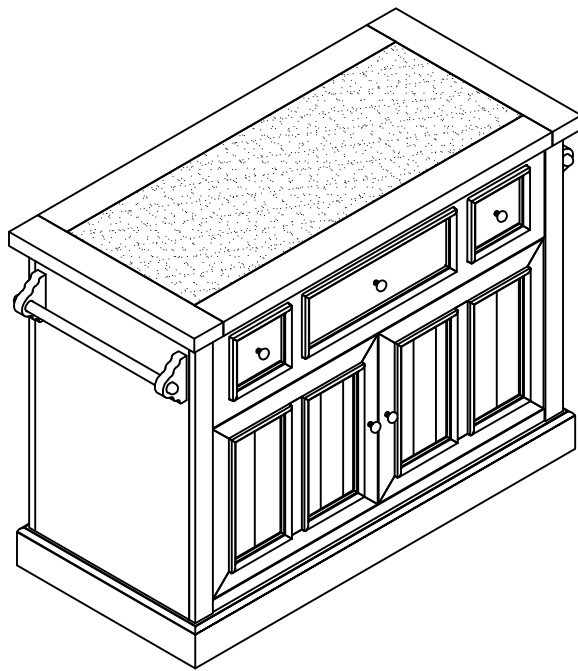


# Large Kitchen Island



Congratulations! You have purchased a stylish piece of us .  
We strive to provide fine furniture products, built with quality materials and hand finished details. Please carefully follow the assembly instructions to ensure your furniture is assembled correctly to provide long lasting enjoyment.

**Should you experience any damaged, defective, or missing parts, or need help with assembly, please call us directly before contacting the retailer.**

Please see included Care and Maintenance Instructions for this Product.

# Care and Maintenance Instructions

## Keeping Your Furniture Beautiful

Quality furniture is a significant investment expected to last for generations. To maintain its beauty and help it last, furniture needs the right care. No finish is totally indestructible. But with regular care, the finish will last much longer, providing years of enjoyment to you.

## Tips to Protect and Care for Your Furniture

1. Avoid placing your furniture in direct sunlight, as sunlight causes fading.
2. Avoid extreme changes in temperature by arranging furniture away from radiators, heat and air vents and air conditioning units.
3. Avoid placing plastic or rubber materials (lamp bases, notebooks, placemats, etc.) on your furniture, as certain plastics contain ingredients that may damage the finish.
4. Periodically rotate accessories on furniture so they do not sit in the same spot all the time.
5. Use pads, cloth or felt to protect the furniture surface from plastic, rubber, hot dishes, beverages, bookends, flowerpots and vases.
6. Clean up spills immediately. Use a blotting rather than a wiping action. Water left over a long period of time will cause white spots in the finish. Alcohol, perfume, after-shave and medications can cause severe finish damage.
7. Use a protective pad when writing on the furniture surface.
8. Lift and place objects rather than dragging them across the furniture surface.
9. Avoid placing furniture directly under windows.

**Wood Furniture Care:** We recommend dusting frequently with a clean, soft, dry, lint-free cloth. Clean the surface by rubbing in the direction of the grain. We recommend polishing your furniture approximately every six months, using a clean, soft, lint-free cloth and rubbing the polish in the direction of the grain. Guardsman furniture polish or any furniture polish that doesn't contain silicone is recommended.

**Leather Furniture Care:** Wipe spills immediately with clean cloth or sponge. For spots or stains and daily cleaning, clean with mild non-detergent soap. Rinse well, gently wipe off, and allow to air dry. Cleaning Butter, Oil or Grease from Leather: Wipe leather with a clean cloth, and leave alone. The oil will be absorbed by the leather. DO NOT APPLY WATER. Also, do not use saddle soap, cleaning solvents, furniture polish, oils, varnish, abrasive cleaners, ammonia or any other type of chemical solution.

**Granite Furniture Care:** Our granite is not sealed, so you may want to apply an over-the-counter sealant, which will provide a small amount of surface protection, but we still recommend cleaning spills promptly. Use a slightly damp cloth to clean as needed. Wipe dry. We also do not recommend using abrasive cleaners, chemical solvents, strong detergents, cleaners with bleach, and furniture polish. Be sure to use trivets, coasters, placemats, and adhesive felt pads to help prevent scratches.

**Wicker Furniture Care:** Regular cleaning is recommended for wicker, as it generally cannot endure harsh or abrasive treatments. This also minimizes mildew buildup. To remove dirt and debris, vacuum with a dust-brush attachment or use a dry paintbrush. Clean with a mild soap solution. Scrub, and rinse. Avoid using too much water, which can weaken the fibers. Avoid sitting on the wicker when still damp, which can cause wicker to sag.

**Metal Furniture Care:** Because most metals, except aluminum, are subject to rust, metal furniture is usually finished with layers of clear varnish, paint, or a durable powder coating. Use a mild soap solution, and scrub, rinse, and dry. After cleaning, apply a coat of quality liquid or paste auto wax with a lint-free cloth if recommended by the furniture's manufacturer. Use a silicone spray to lubricate swivels and glides on chairs

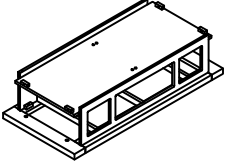
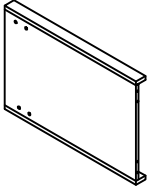
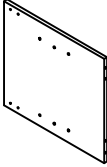
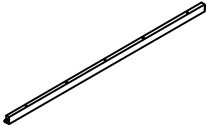
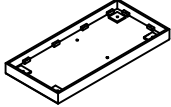
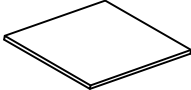
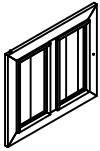

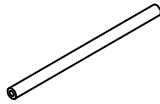


**Butcher Block Care:** For best results, clean finished butcher block surfaces with soapy water or commonly available kitchen counter top cleaners. Do not use abrasives or powder cleansers. Do not allow moisture stand on the surface for prolonged periods of time. To sanitize, rinse the butcher block with white vinegar by using a vinegar-water solution in a spray bottle, spritz the butcher block all over. Let sit for a while. While that sits, make a lemon salt mixture by pouring about 1/4 cup salt into a bowl, and stir in enough lemon juice to make a paste, adjust the consistency as you go, to make a workable paste. The final step, using a scrub brush, thoroughly scrub your butcher block with the lemon-salt paste. If the paste gets too dry, sprinkle on a little more lemon juice. Rinse well, and squeegee off as much water as you can, and then let it dry overnight. Make sure to seal it before you get it dirty

again. Pour out a small amount of oil, and rub it into the wood using a cloth or paper towel. As the oil soaks in, add more and continue rubbing and polishing with the grain until the oil is absorbed. The first time you seal your butcher block, it may take several applications before it stops "drinking" oil, but in later cleanings you'll just need to refresh it. Keep adding oil until no more soaks in, remove any excess with a cloth.



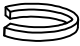




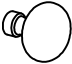






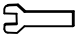
**Outdoor Cushion Care:** Please note our cushions are made from a polyester foam, and the covers are made from a moisture resistant polyester blend. This does not mean they are waterproof! Cushions should be stored and covered when not in use to protect them from rain, sunlight, and other staining agents. We do not recommend leaving cushions out in inclement weather, and if cushions become wet, please dry them immediately by removing the cushion from the cover so they can dry separately. Wring out any excess moisture before drying. Air dry only!

**Outdoor Furniture Storage:** We highly recommend storing any outdoor furniture during the winter and/or rainy seasons. Before storing your furniture, please ensure all moisture collected in the frame tubes has been drained out and dried. When outdoor furniture is not in use, we recommend covering all the furniture to protect it against the elements.

# PART LIST

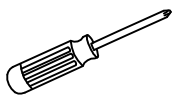
<p><b>A</b></p> 	<p><b>B</b></p> 	<p><b>C</b></p> 	<p><b>D</b></p> 	<p><b>E</b></p> 
<p>Top Panel 1 PC</p>	<p>Side Panel 2 PCS</p>	<p>Middle Vertical Panel 1 PC</p>	<p>Bottom Rail 2 PCS</p>	<p>Bottom Panel 1 PC</p>
<p><b>F</b></p> 	<p><b>G</b></p> 	<p><b>H</b></p> 	<p><b>I</b></p> 	<p><b>J</b></p> 
<p>Adjustable Shelf 2 PCS</p>	<p>Left Door 2 PCS</p>	<p>Right Door 2 PCS</p>	<p>Towel Bar 2 PCS</p>	<p>Support Leg 4 PCS</p>
<p><b>K</b></p>  <p>Towel Bar Panel 4 PCS</p>				

# HARDWARE LIST

1		2		3		4		5	
	1-1/4"x $\phi$ 1/4"xD12								1-3/4"x $\phi$ 1/4"xD12
	Short Bolt		Flat Washer		Spring Washer		Allen Wrench		Long Bolt
	19 PCS (Extra 1)		25 PCS (Extra 1)		25 PCS (Extra 1)		1 PC		7 PCS (Extra 1)
6		7		8		9		10	
	5/8"x 1-1/4"L						3/4"x $\phi$ 5/32"xD9		1/8"x 5/8"L
	Wood Dowel		Barrel Nut		Knob		Round Head Bolt		Round Head Screw
	17 PCS (Extra 1)		6 PCS		4 PCS		5 PCS (Extra 1)		9 PCS (Extra 1)
11		12		13		14		15	
			1-1/4"x $\phi$ 4xD8						
	Door Magnet		Screw		Shelf Holder		Caster		Wrench
	4 PCS		7 PCS (Extra 1)		9 PCS (Extra 1)		4 PCS		1 PC

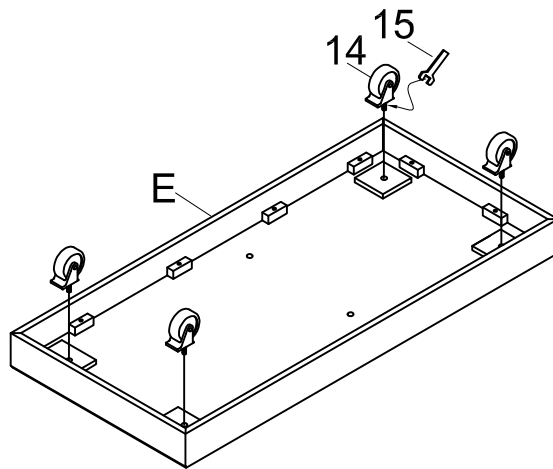
## ADDITIONAL TOOLS (Not Provided)

Note: It is not recommended to use power tools during assembly.

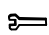


Phillips Head Screwdriver

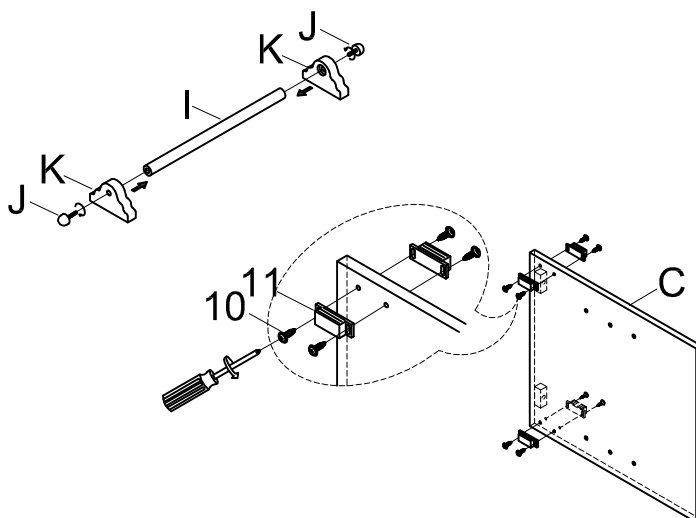
Step 1. Attach casters (part #14) to bottom panel (part E) using wrench (part #15).



#14  X 4

#15  X 1

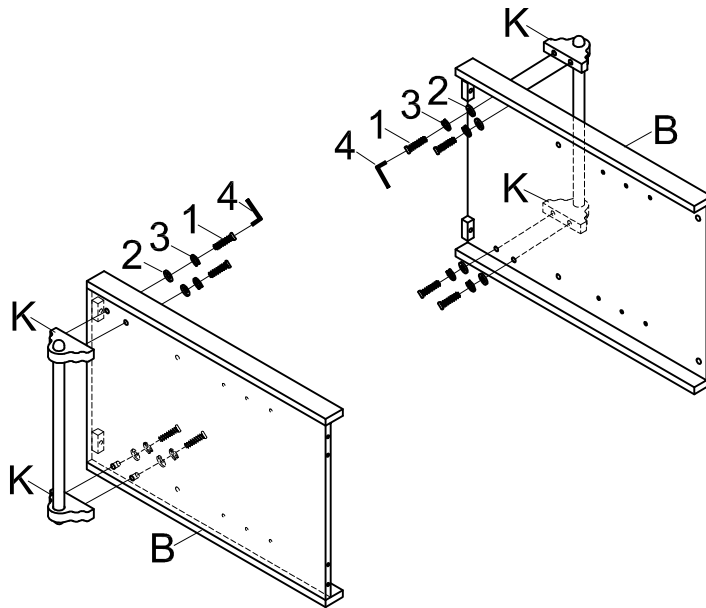
Step 2. Attach towel bar (part I) to towel bar panels (part K) using support legs (part J). Repeat for remaining towel bar assembly. Attach door magnets (part #11) to both sides of middle vertical panel (part C) using round head screws and phillips head screwdriver (part #10) as shown.




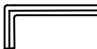


#10  X 8

#11  X 4

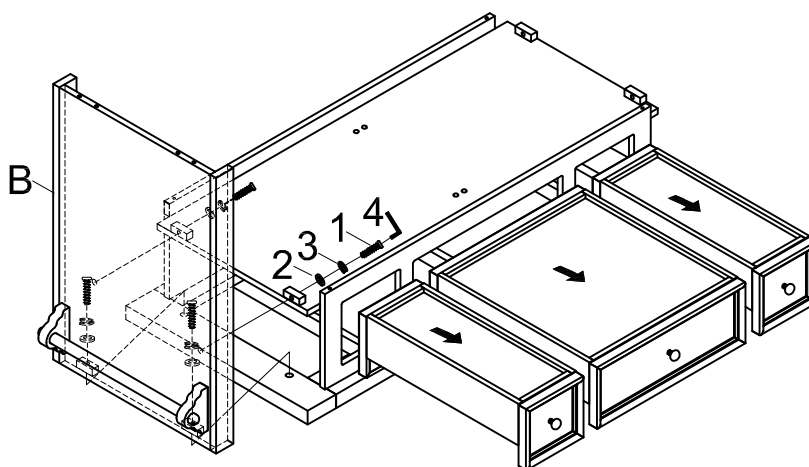
Step 3. Attach towel bar panels (part K) to side panels (part B) using flat washers (part #2), spring washers (part #3), short bolts (part #1) and allen wrench (part #4).




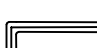


- #1  X 8
- #2  X 8
- #3  X 8
- #4  X 1

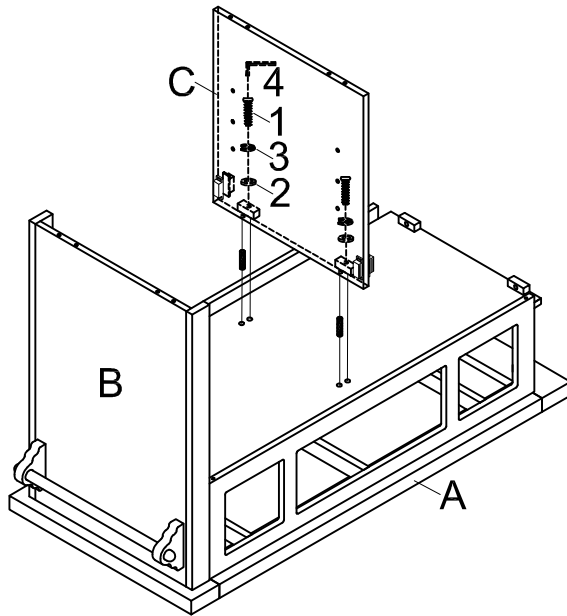
Step 4. Pull out drawers fully.




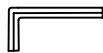
Carefully lay top panel (part A) on a soft surface such as carpet as shown. Attach side panel (part B) to top panel (part A) using flat washers (part #2), spring washers (part #3), short bolts (part #1) and allen wrench (part #4).



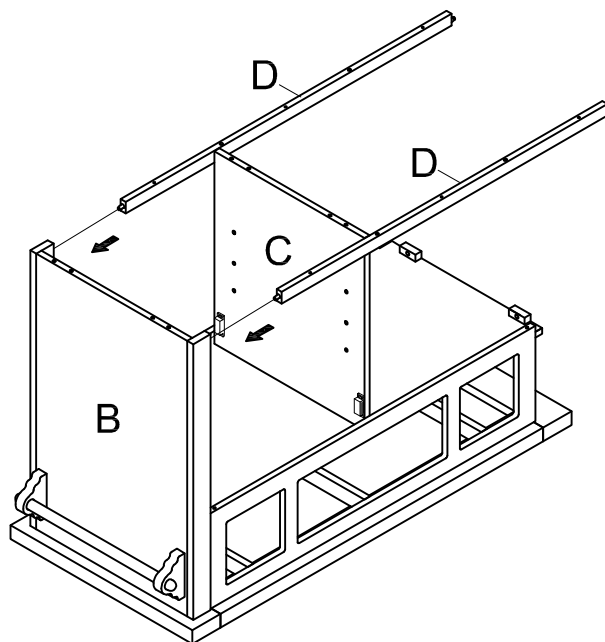
- #1  X 4
- #2  X 4
- #3  X 4
- #4  X 1

Step 5. Attach middle vertical panel (part C) to top panel (part A) using flat washers (part #2), spring washers (part #3), short bolts (part #1) and allen wrench (part #4).

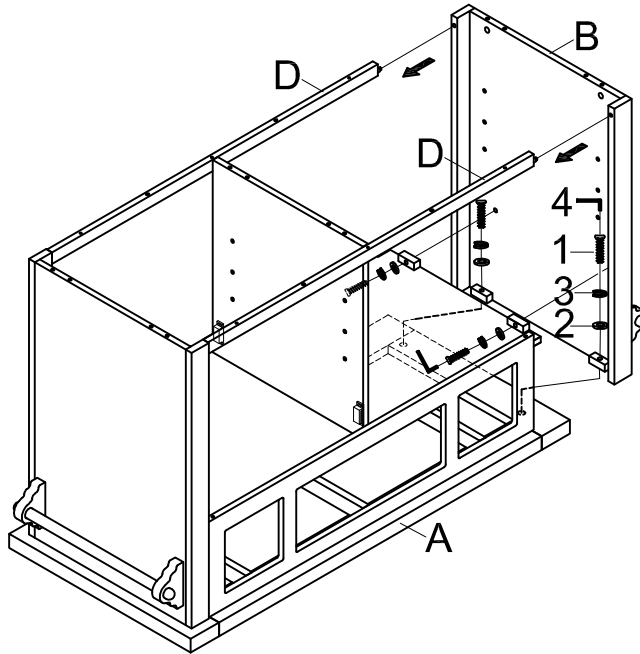





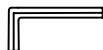
#1		X 2
#2		X 2
#3		X 2
#4		X 1

Step 6. Insert bottom rails (part D) into side panel (part B).

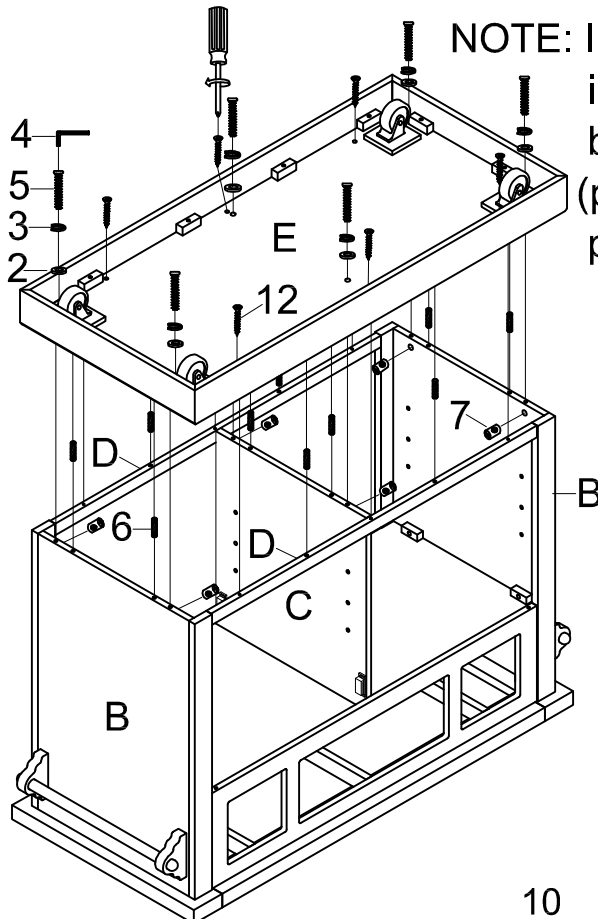


Step 7. Attach remaining side panel (part B) to top panel (part A) and bottom rails (part D) using flat washers (part #2), spring washers (part #3), short bolts (part #1) and allen wrench (part #4).




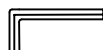





- |    |   |     |
|----|---|-----|
| #1 |  | X 4 |
| #2 |  | X 4 |
| #3 |  | X 4 |
| #4 |  | X 1 |

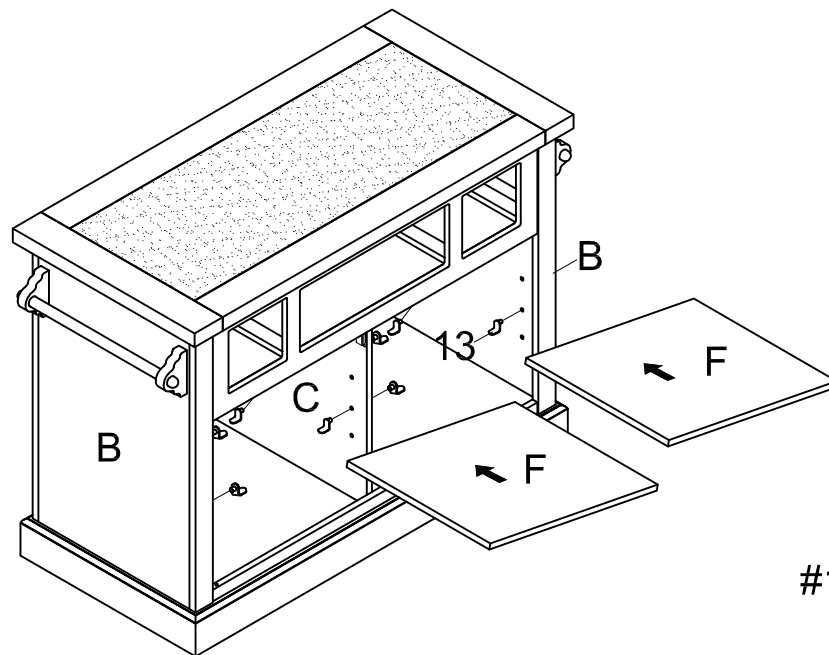
Step 8. Attach the bottom panel (part E) to side panels (part B), middle vertical panel (part C) and bottom rails (part D) using barrel nuts (part #7), wood dowels (part #6), flat washers (part #2), spring washers (part #3), long bolts (part #5) and allen wrench (part #4).



NOTE: Insert barrel nuts (part #7) before inserting long bolts (part #5). Secure bottom panel (part E) to bottom rails (part D) using screws (part #12) and phillips head screwdriver.

- |     |   |      |
|-----|---|------|
| #5  |  | X 6  |
| #2  |  | X 6  |
| #3  |  | X 6  |
| #4  |  | X 1  |
| #6  |  | X 10 |
| #7  |  | X 6  |
| #12 |  | X 6  |

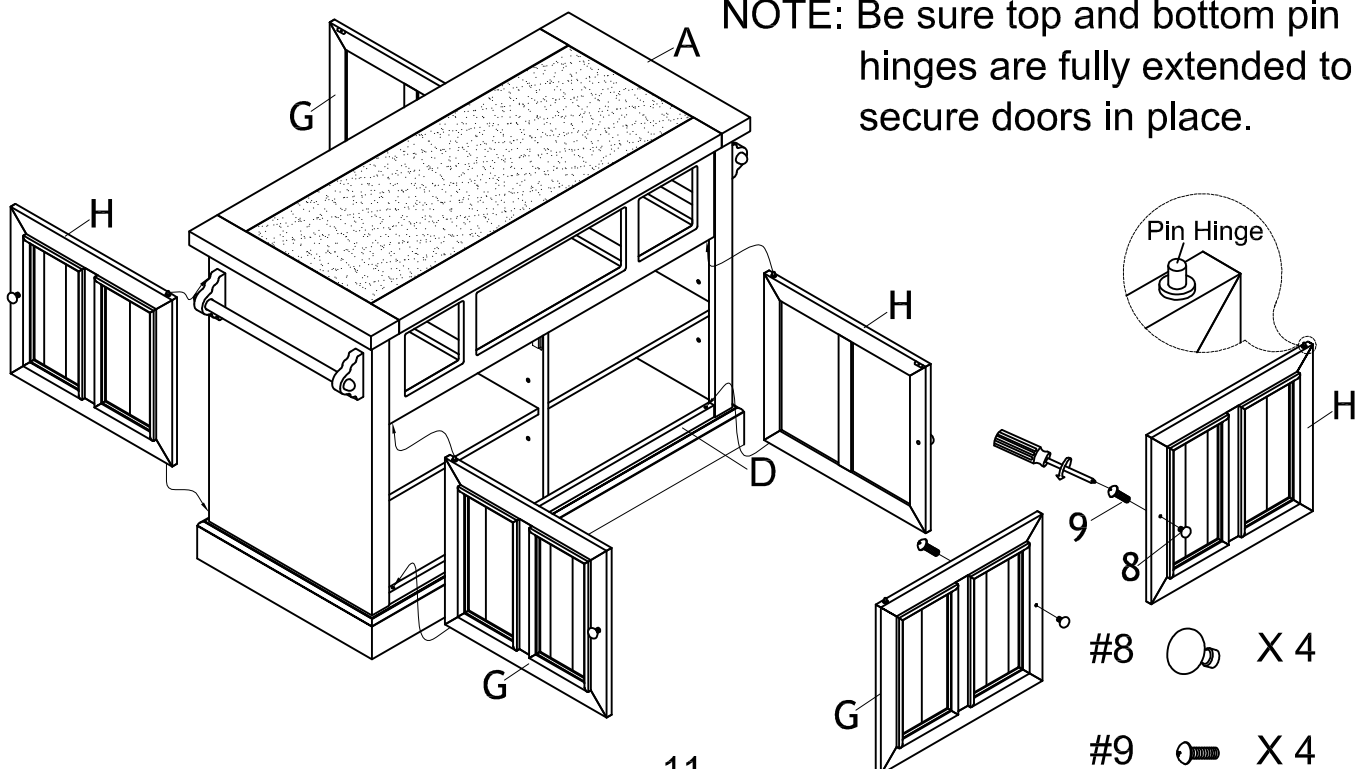
Step 9. Carefully turn assembled unit upright as shown below. Place shelf holders (part #13) into desired positions and slide adjustable shelves (part F) into place.



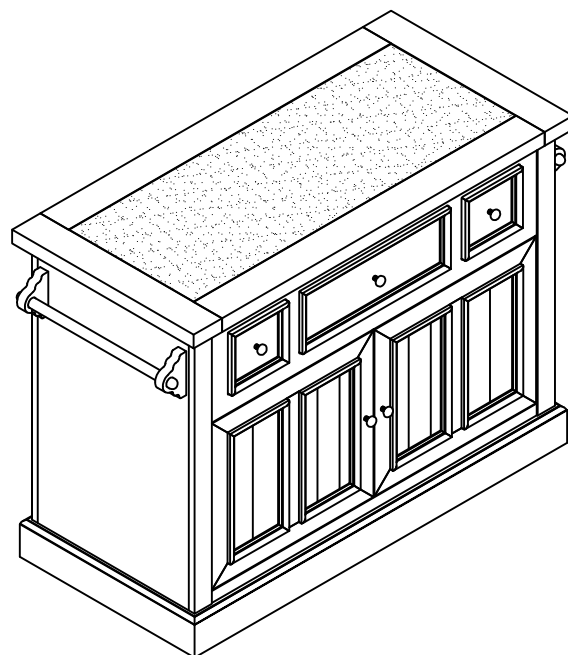
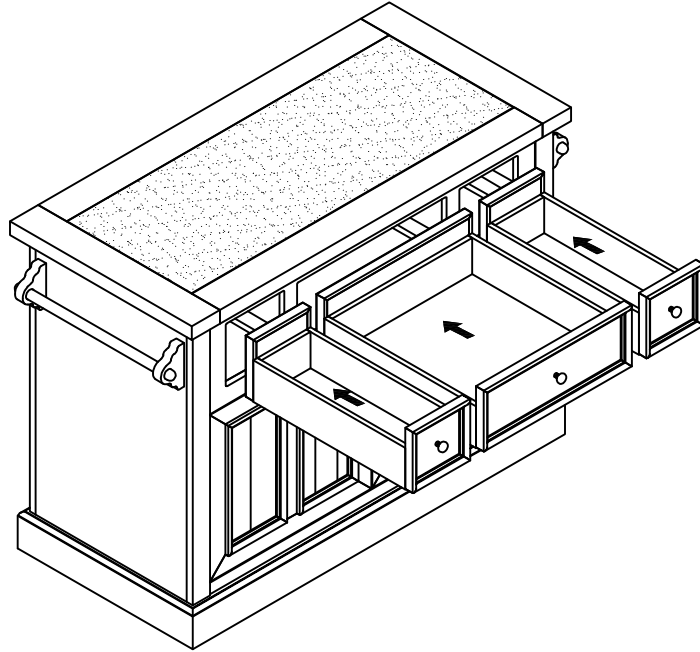
#13  X 8

Step 10. Attach knobs (part #8) to left and right doors (parts G & H) using round head bolts (part #9) and Phillips head screwdriver. Install left and right doors (parts G & H) by placing the bottom pin hinges (pre-installed into the doors) into the pre-drilled holes of bottom rails (part D), and depressing the top spring-loaded pin hinges so they can be placed into the pre-drilled holes of top panel (part A).

NOTE: Be sure top and bottom pin hinges are fully extended to secure doors in place.



Step 11. Slide drawers into place.



## Limited Manufacturers Warranty

## RETURNS POLICY

- CANCELLATION POLICY

- FREIGHT DAMAGE OR DEFECTS