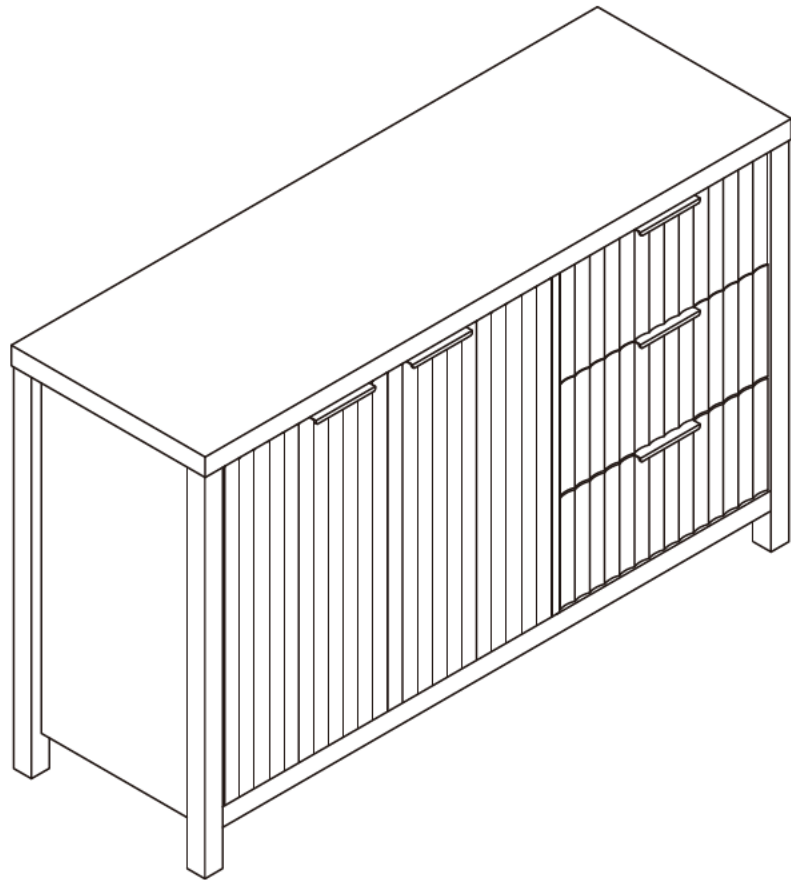
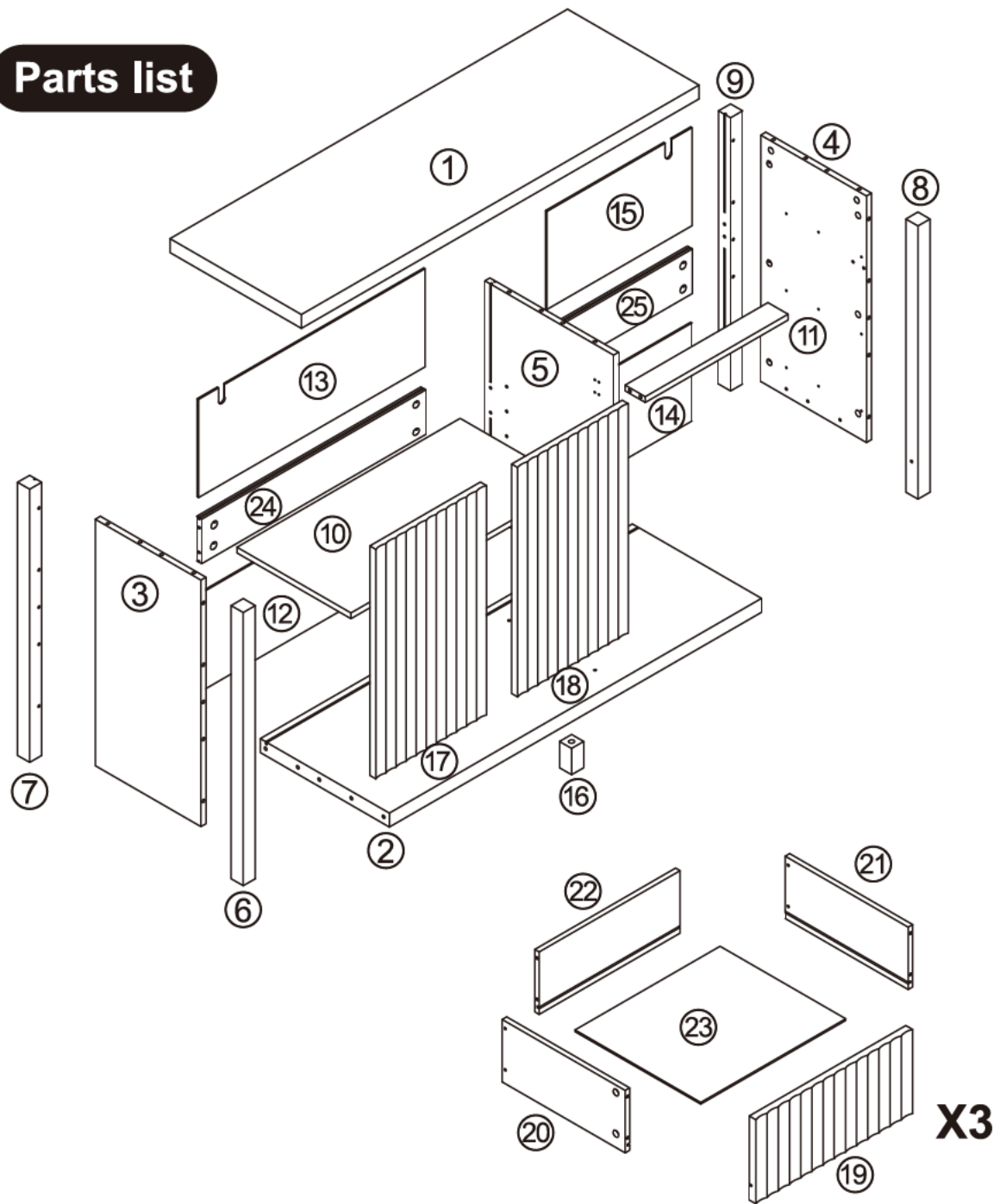





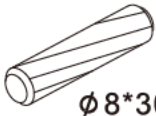
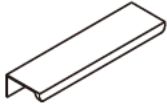

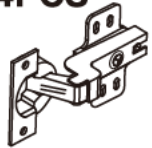











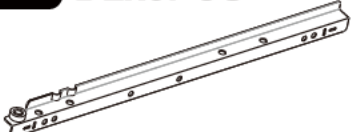


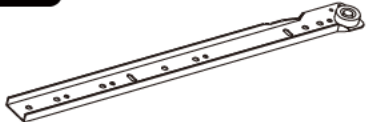


Installation & Assembly



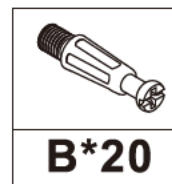
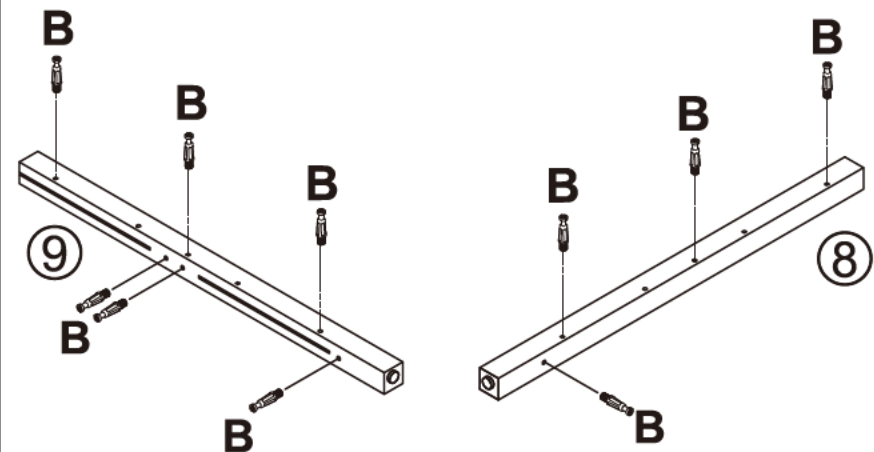
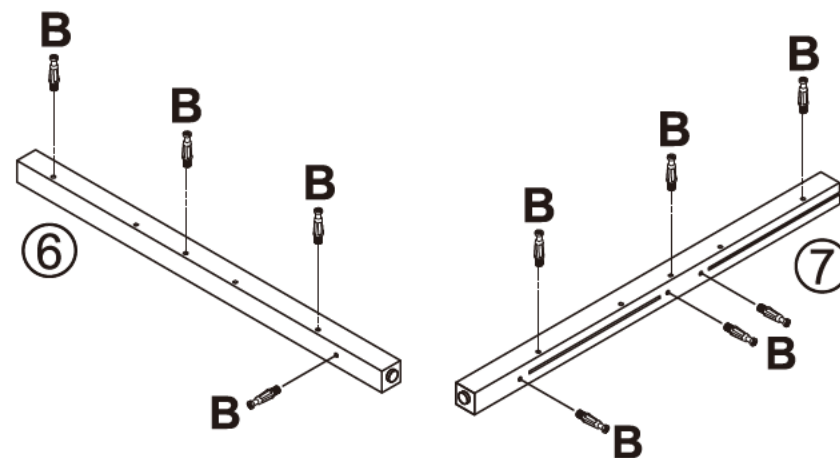
Parts list



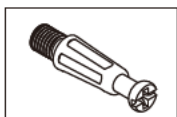
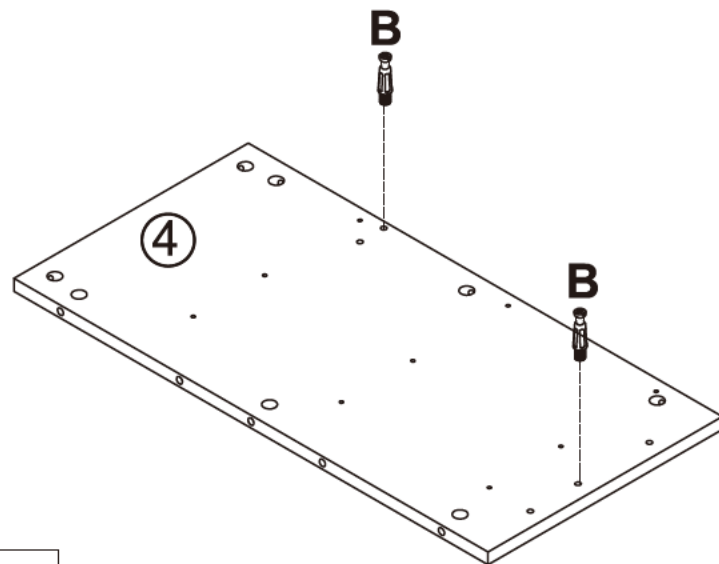
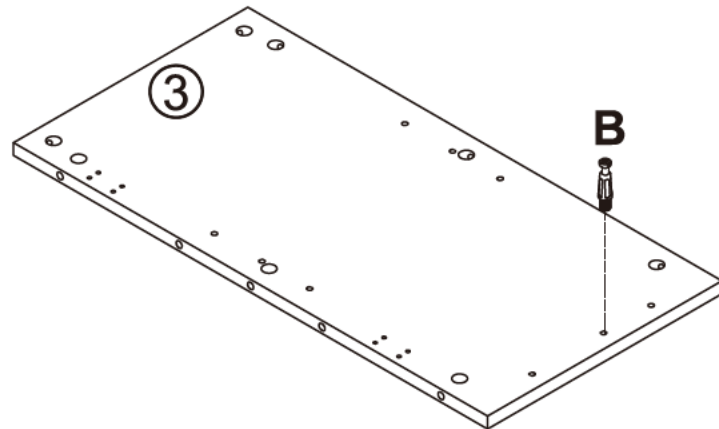
Hardware list

A 1PCS 	B 46PCS 	C 46PCS 	D 22PCS  ø8*30MM	
E 5PCS 	F 12PCS  ø4*30MM	G 4PCS 	H 24PCS  ø4*14MM	
I 4PCS 	J 2PCS  ø4*15MM	K 2PCS  ø4*35MM	L 2PCS 	
M 2PCS 	N 46PCS  ø3.5*12MM	O 2PCS  ø4.2*50MM	P 10PCS  ø3*16MM	T 38PCS 
Q 1PCS 	DL DLx3PCS 	CL CLx3PCS 		
R 2PCS ø3*12MM 	CR CRx3PCS 	DR DRx3PCS 		
S 8PCS 				

Step 1

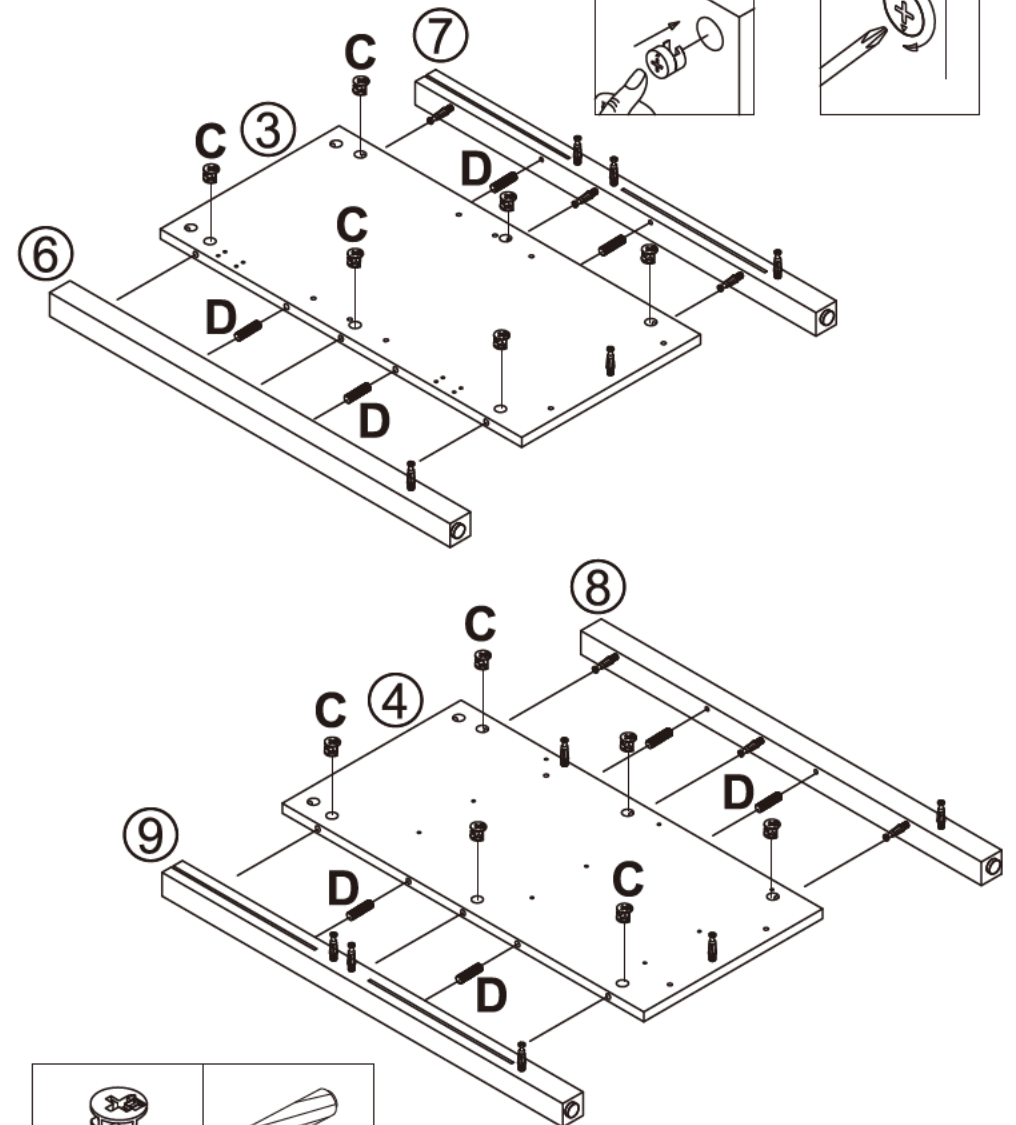


Step 2

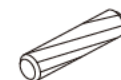


B*3

Step 3

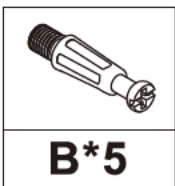
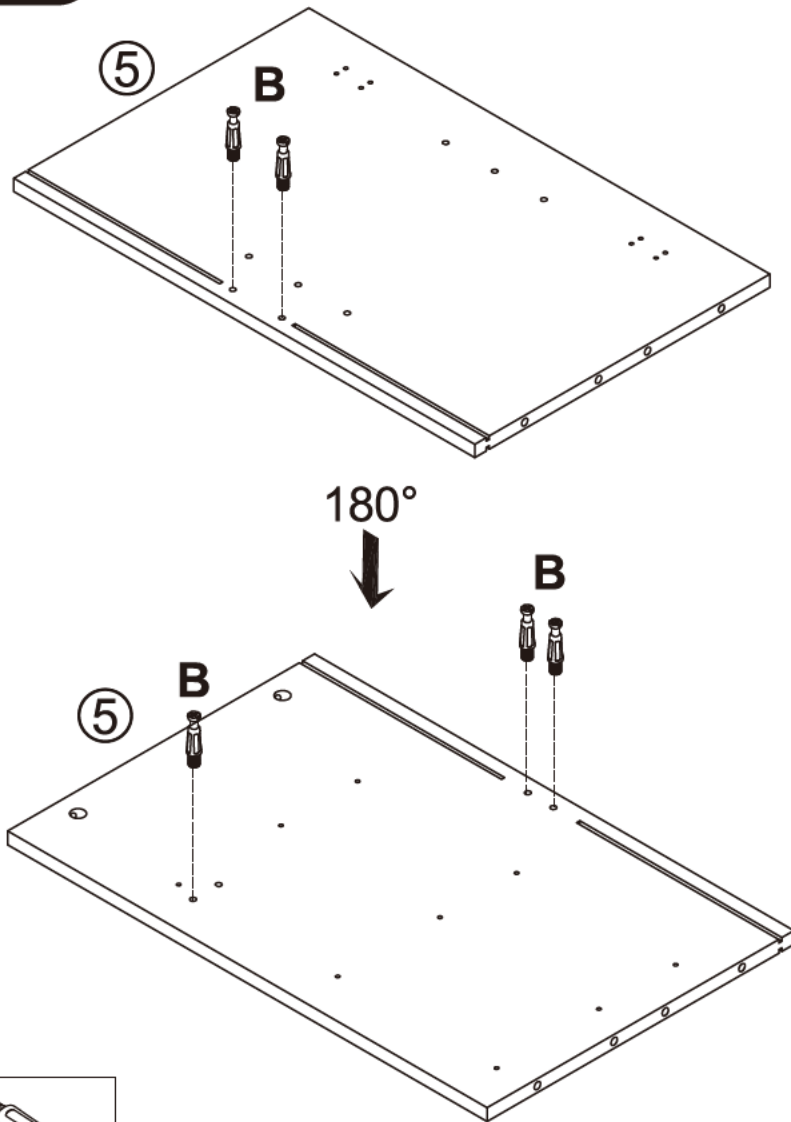


C*12

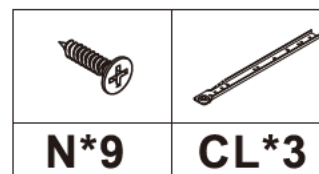
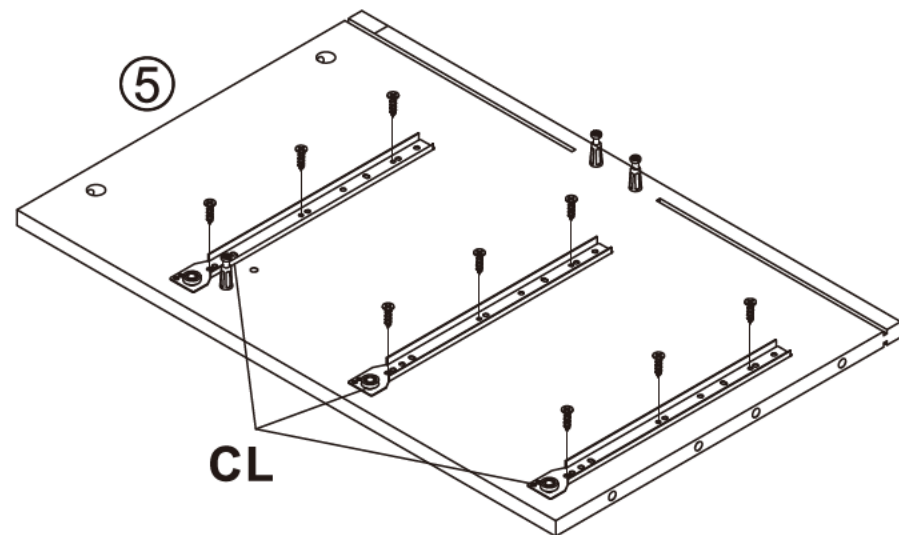
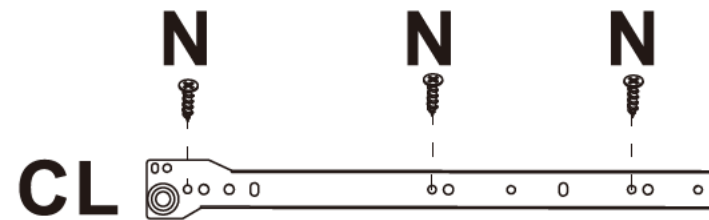


D*8

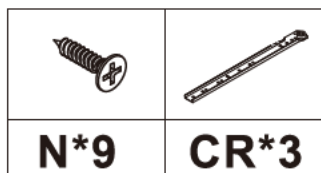
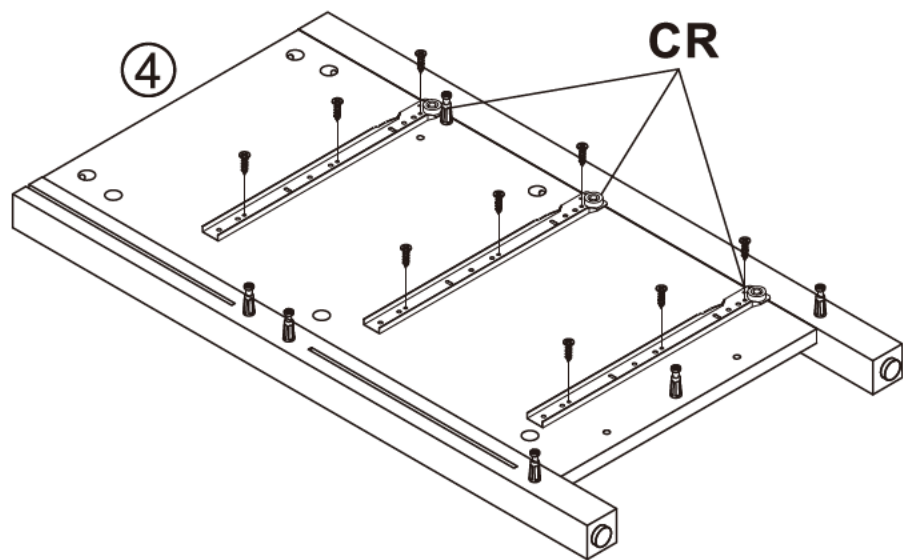
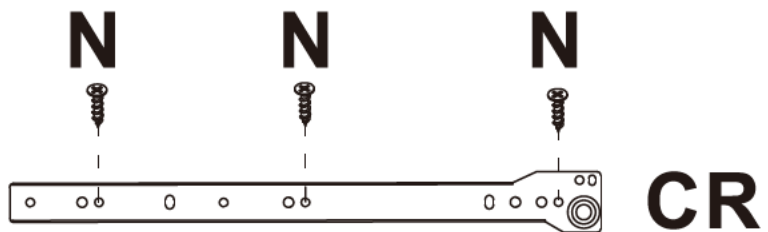
Step 4



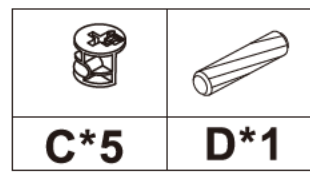
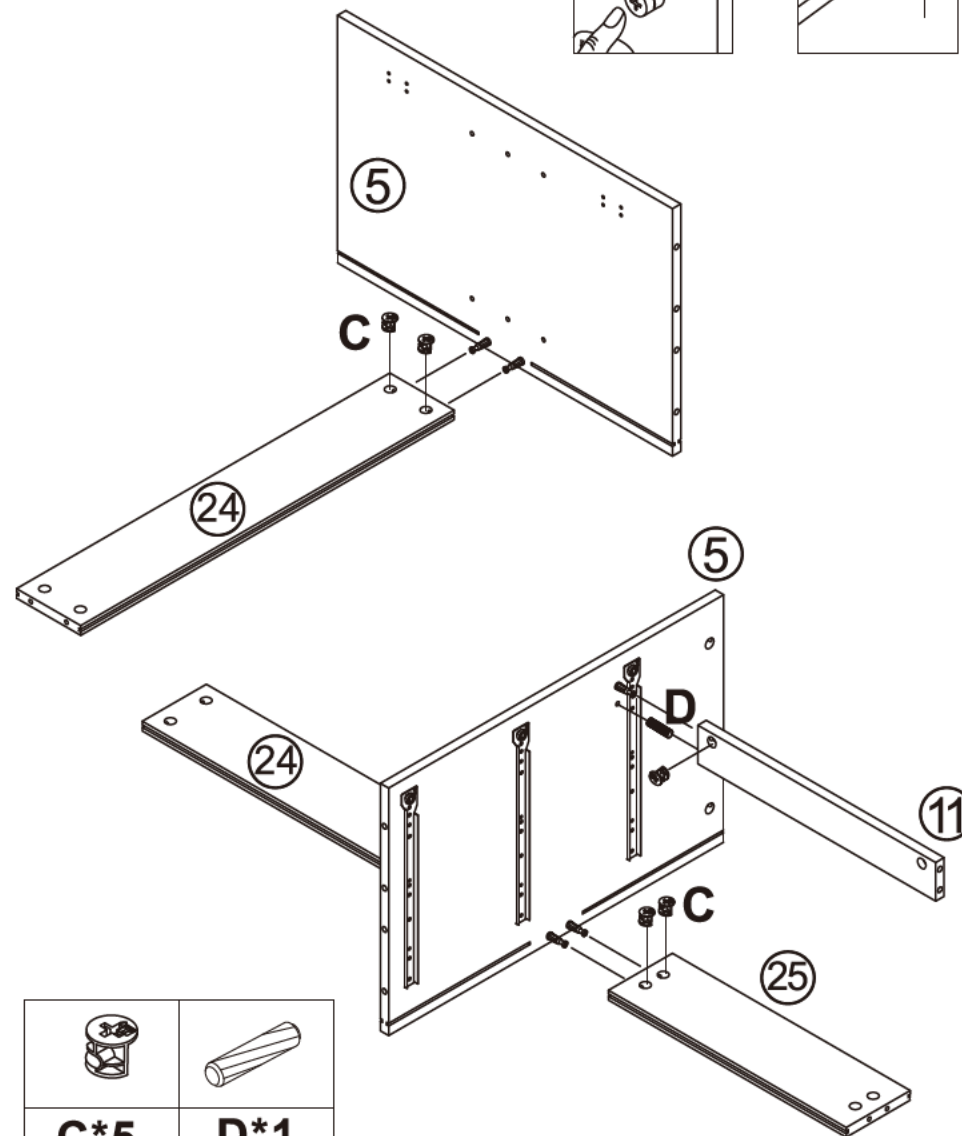
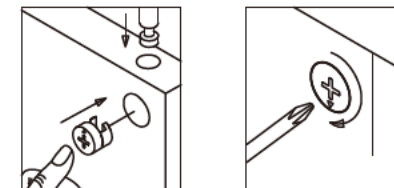
Step 5



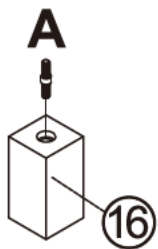
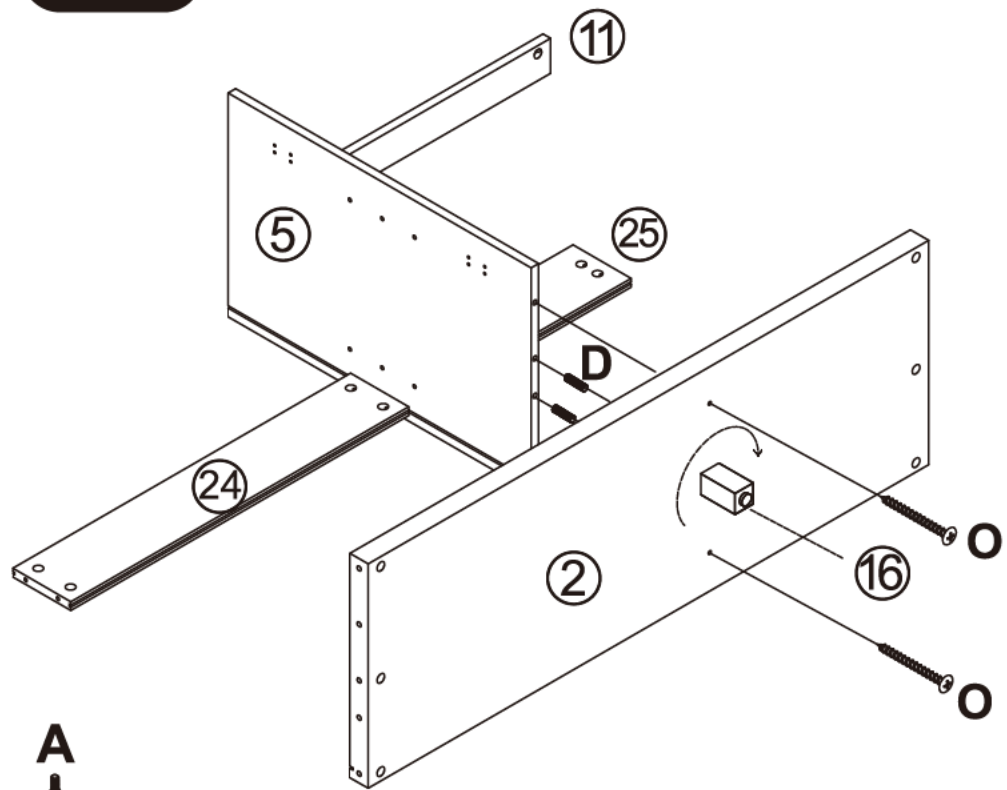
Step 6


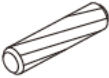



Step 7

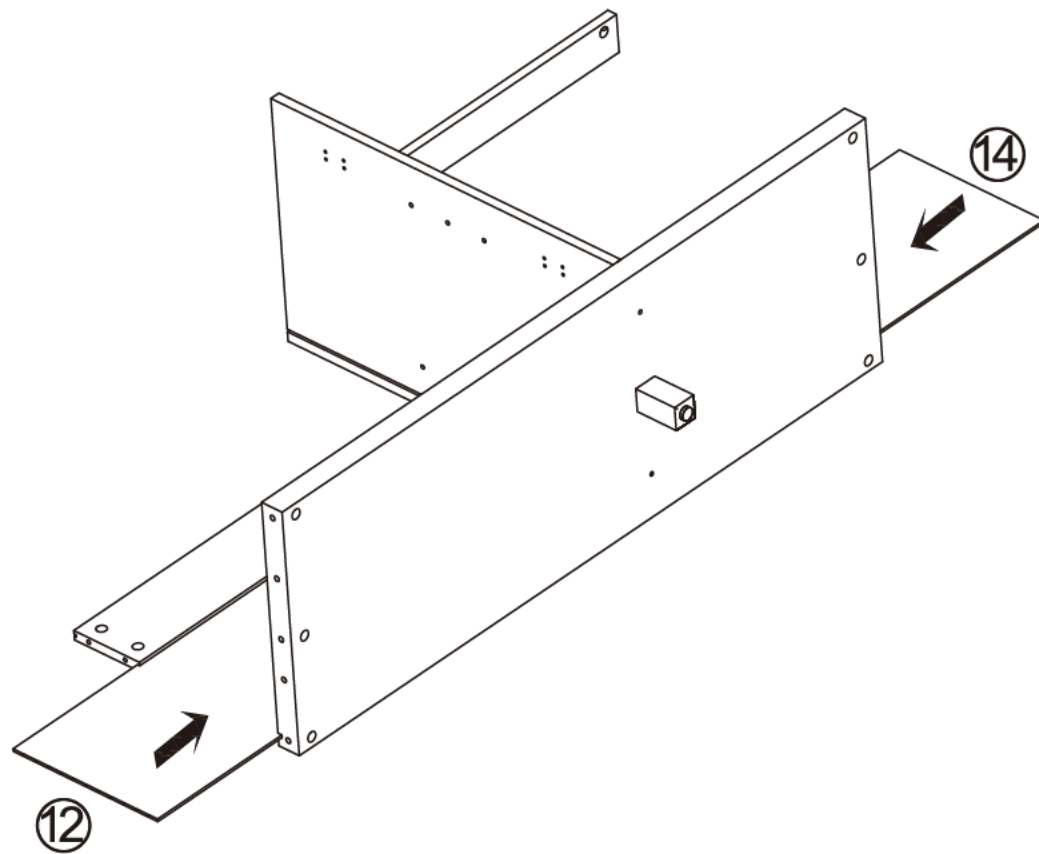


Step 8

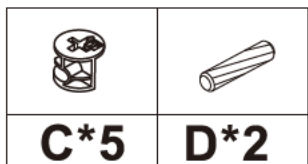
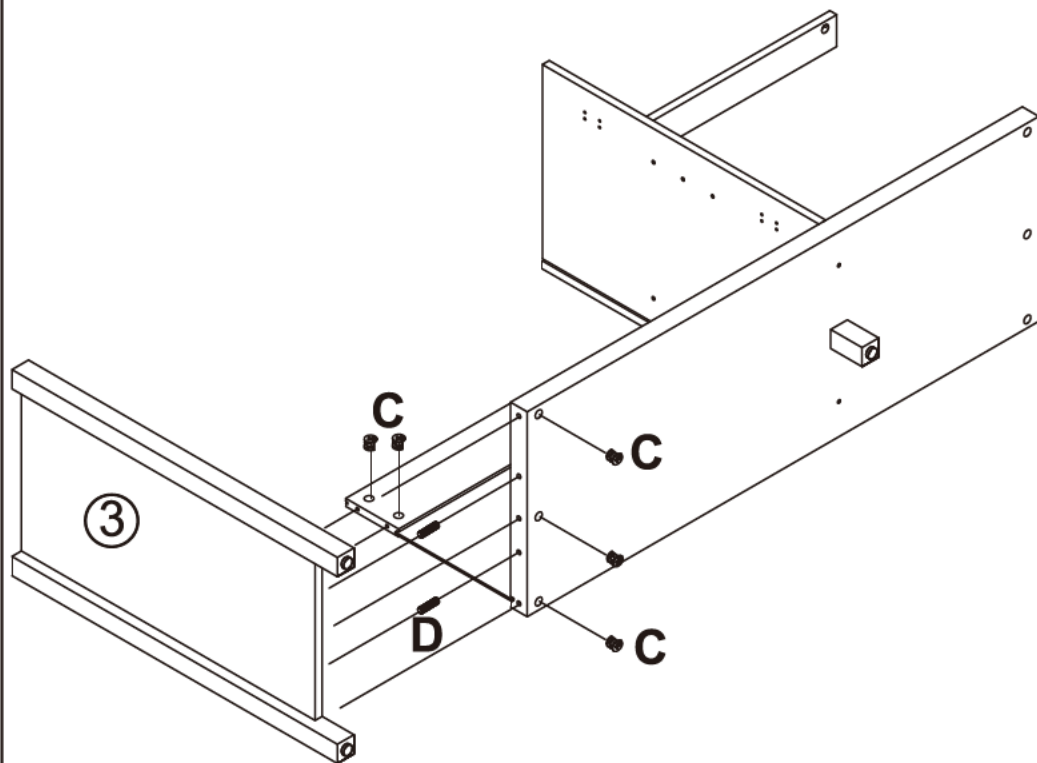
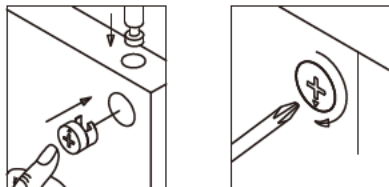


		
A*1	D*2	O*2

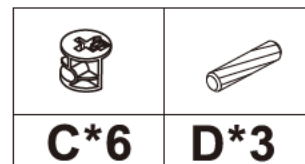
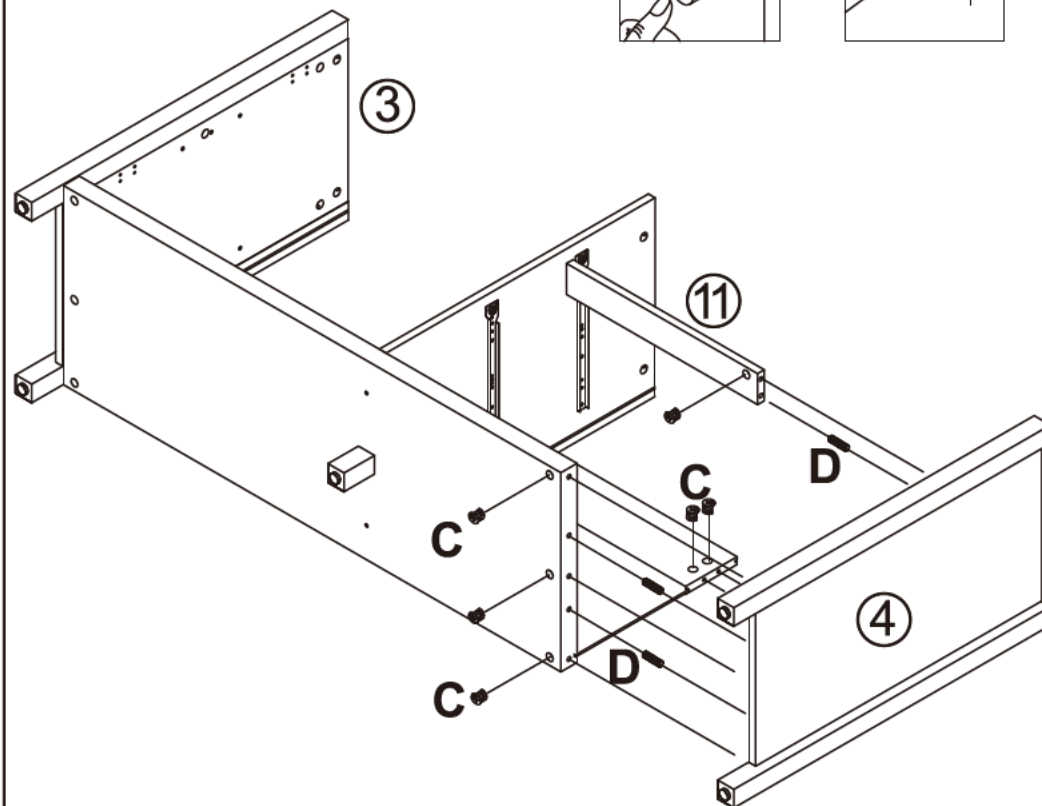
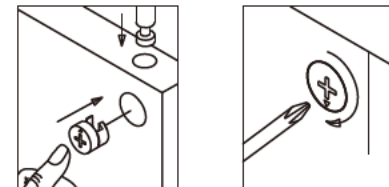
Step 9



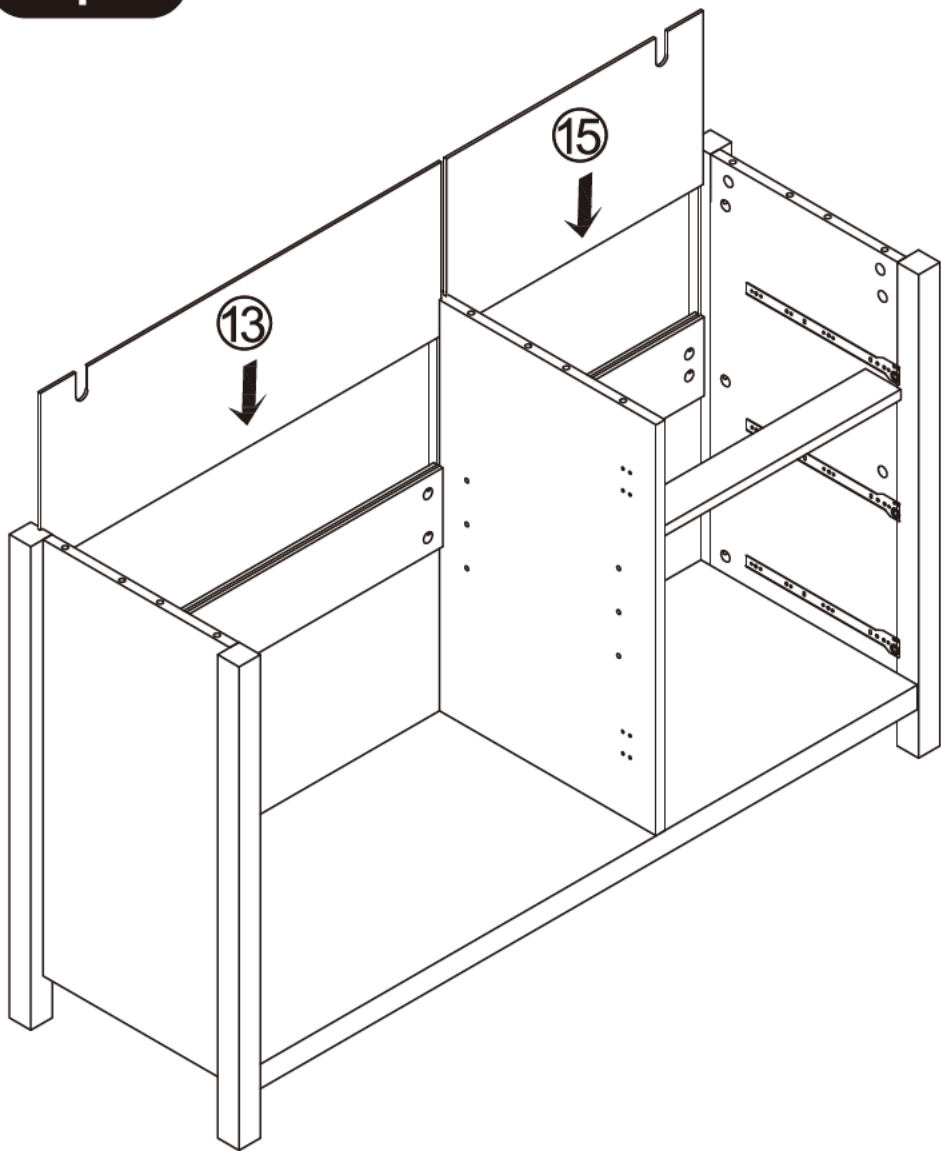
Step 10



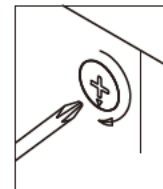
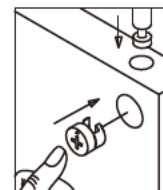
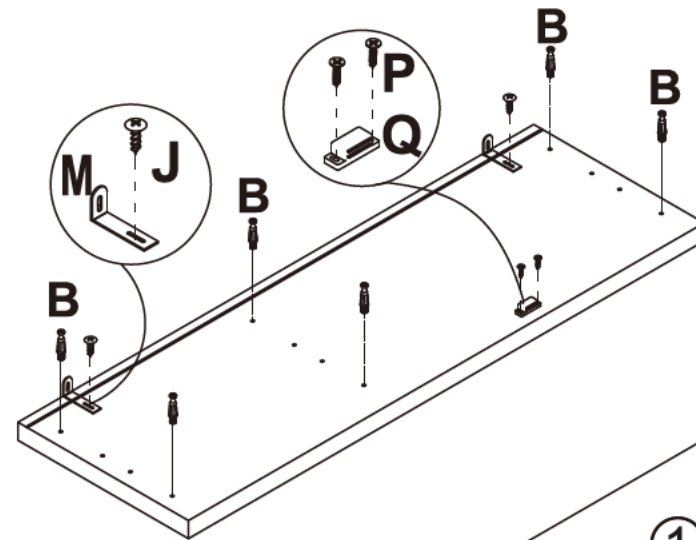
Step 11



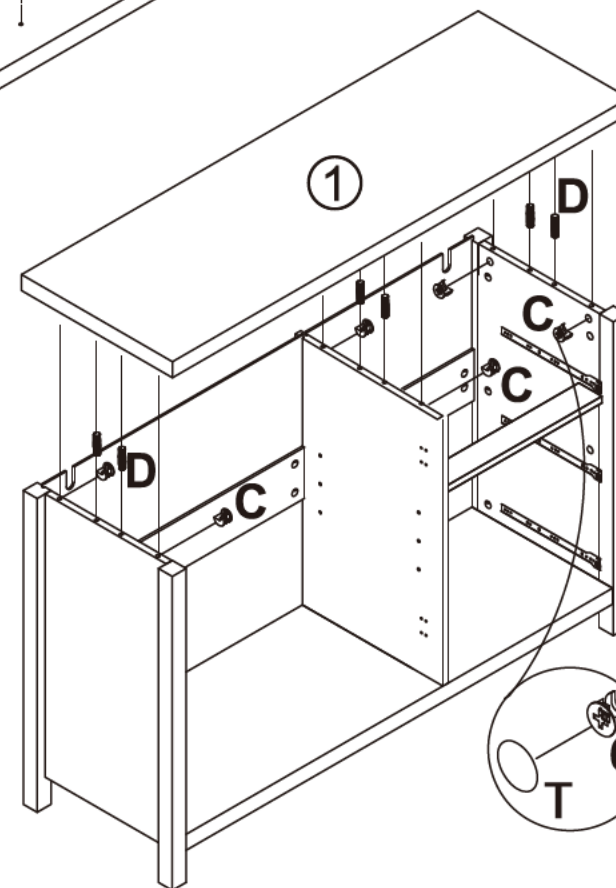
Step 12



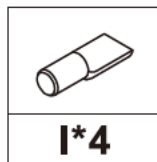
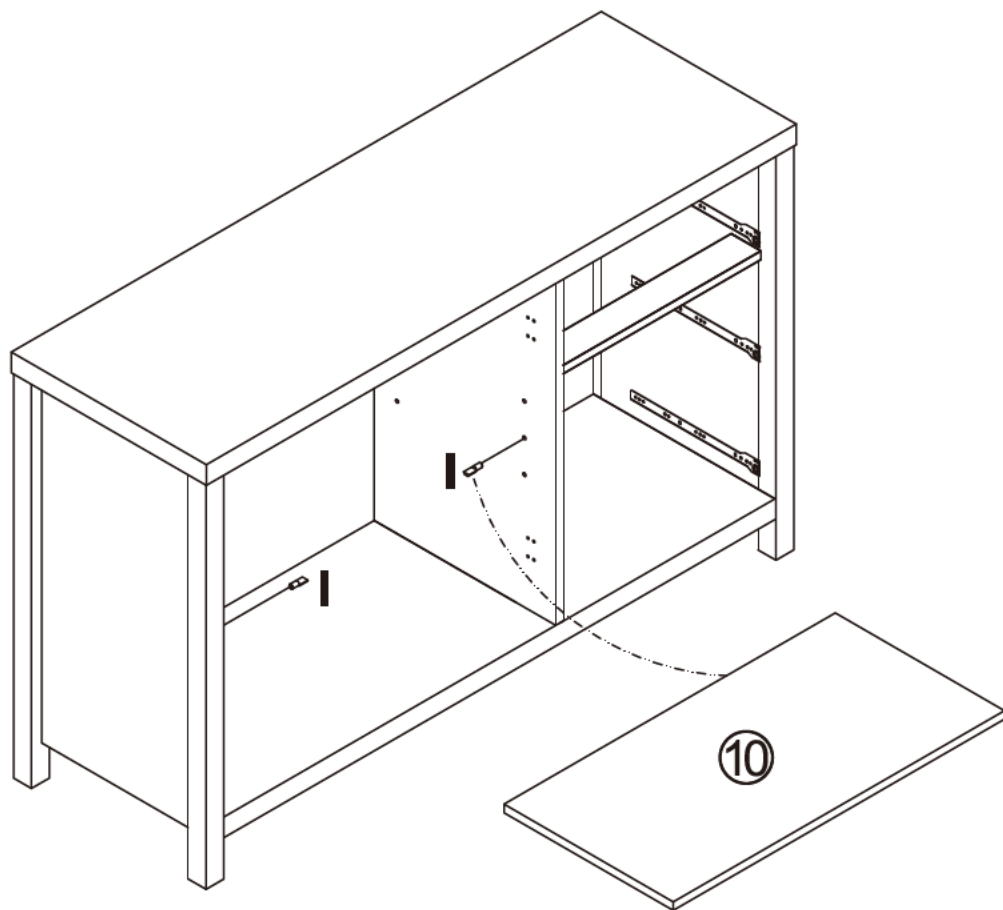
Step 13



B*6	C*6
D*6	J*2
M*2	P*2
Q*1	T*26

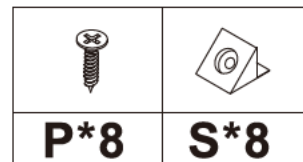
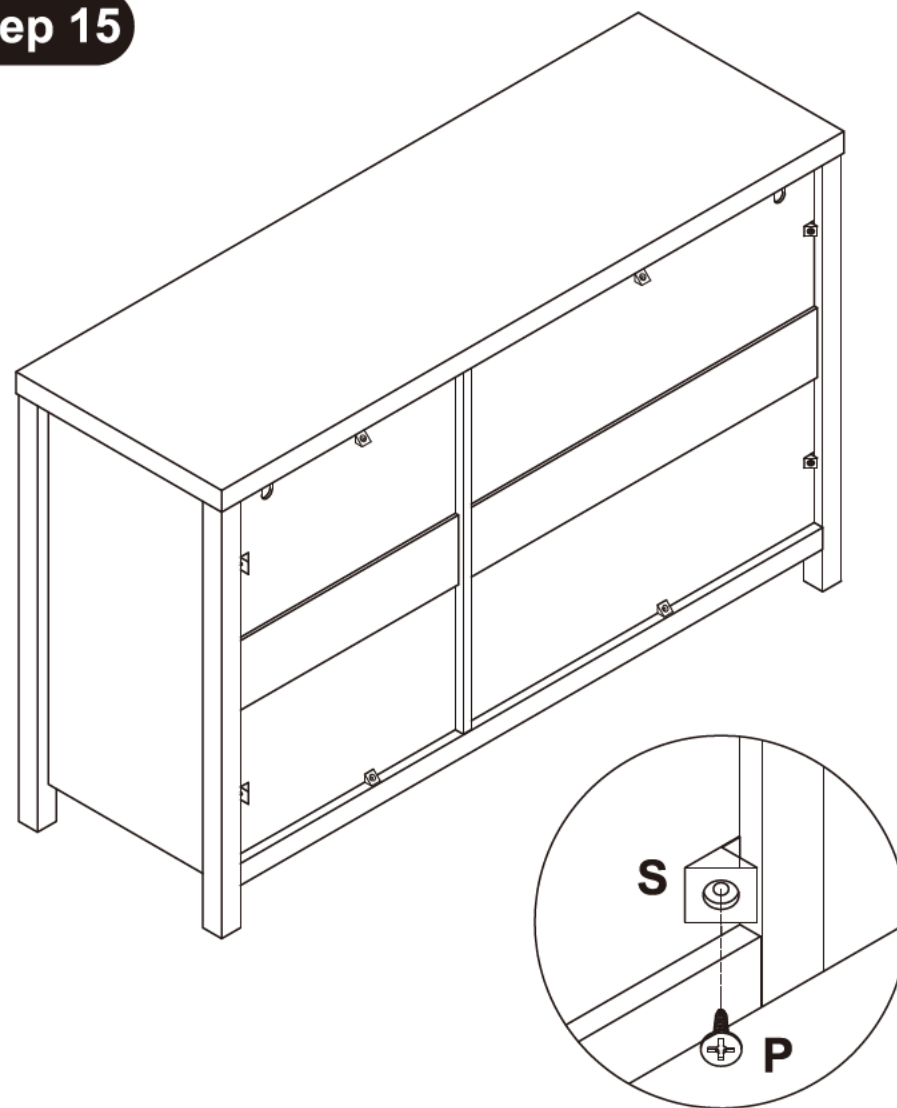


Step 14



1*4

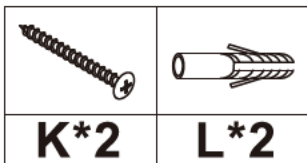
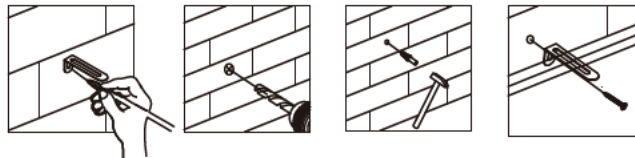
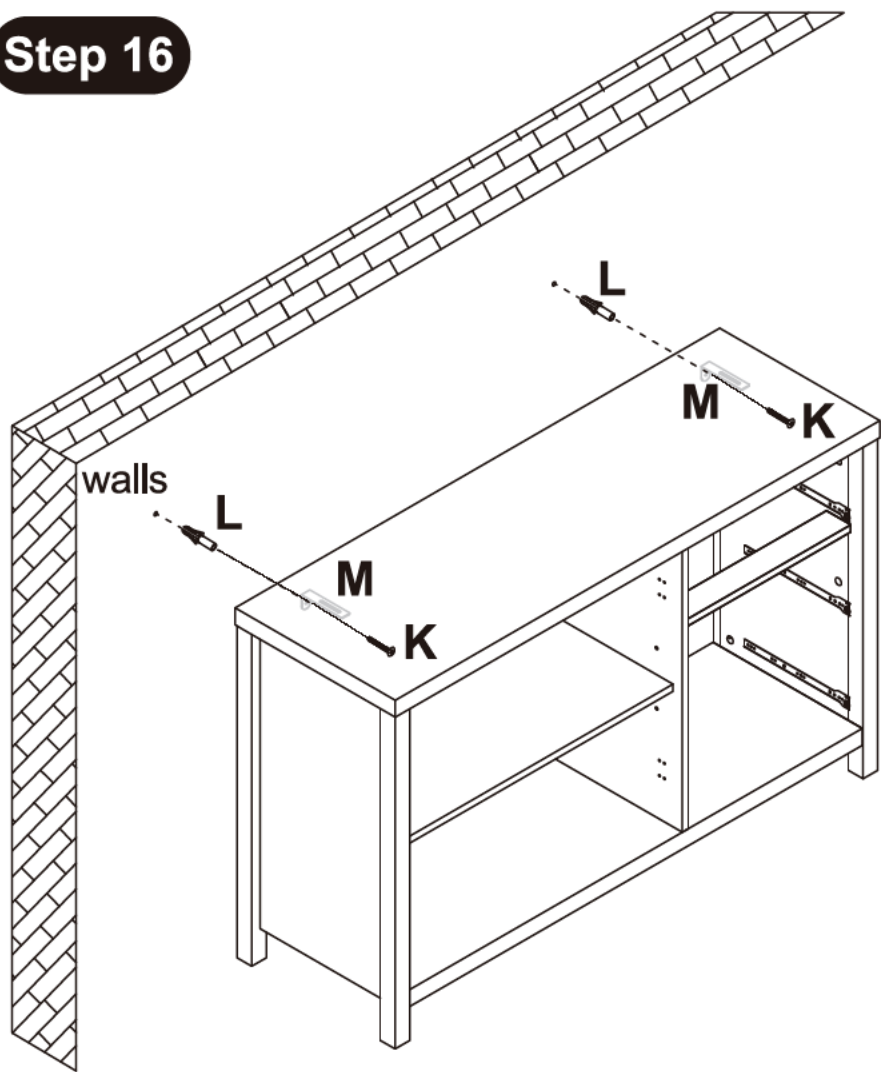
Step 15



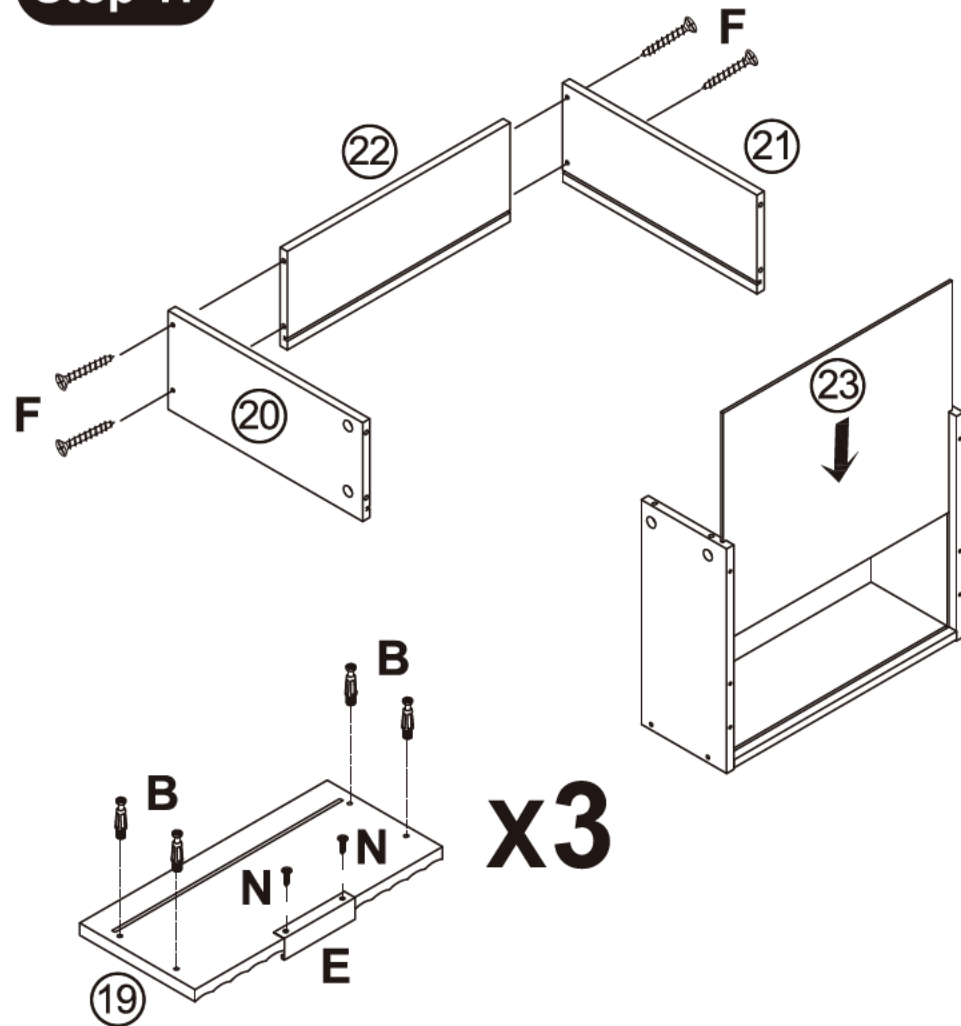
P*8

S*8

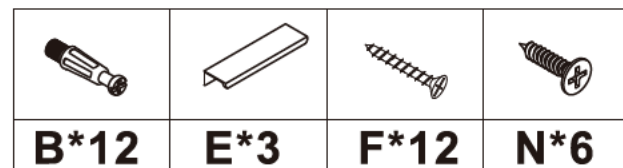
Step 16



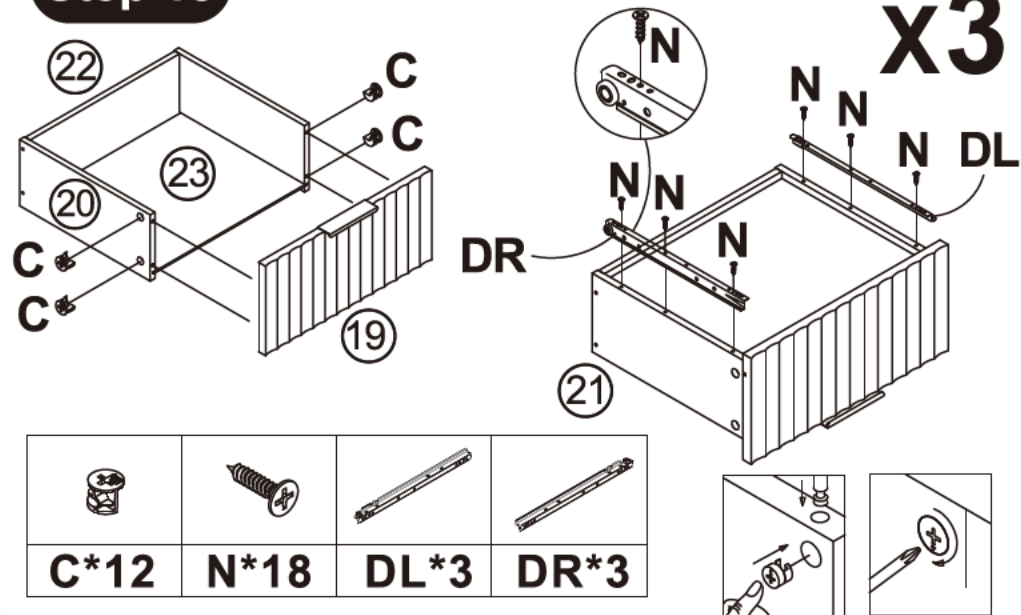
Step 17



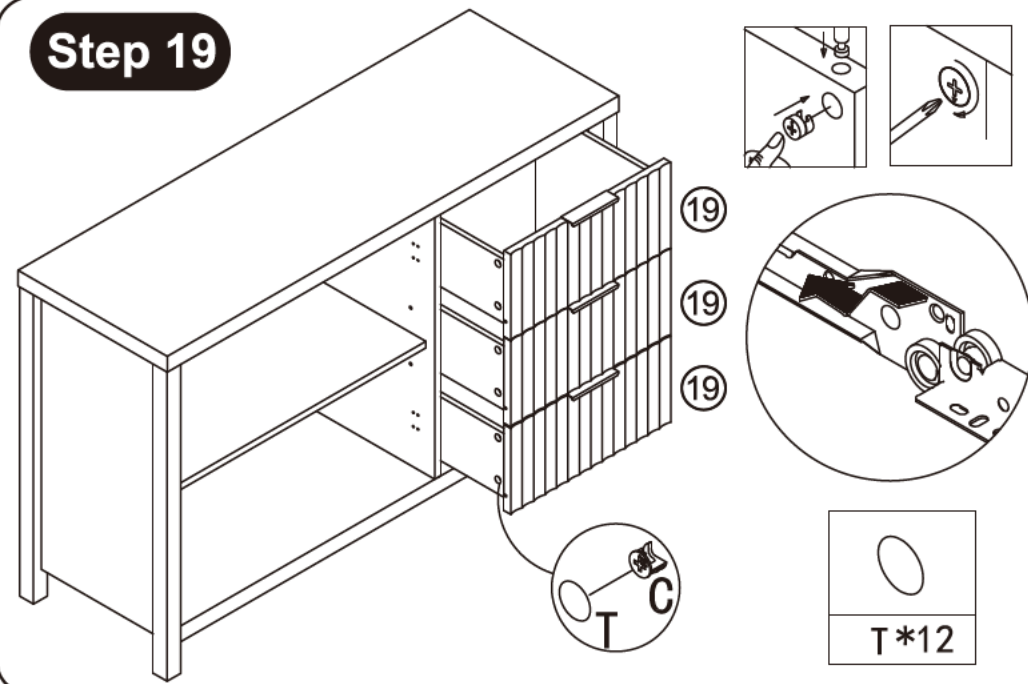
x3



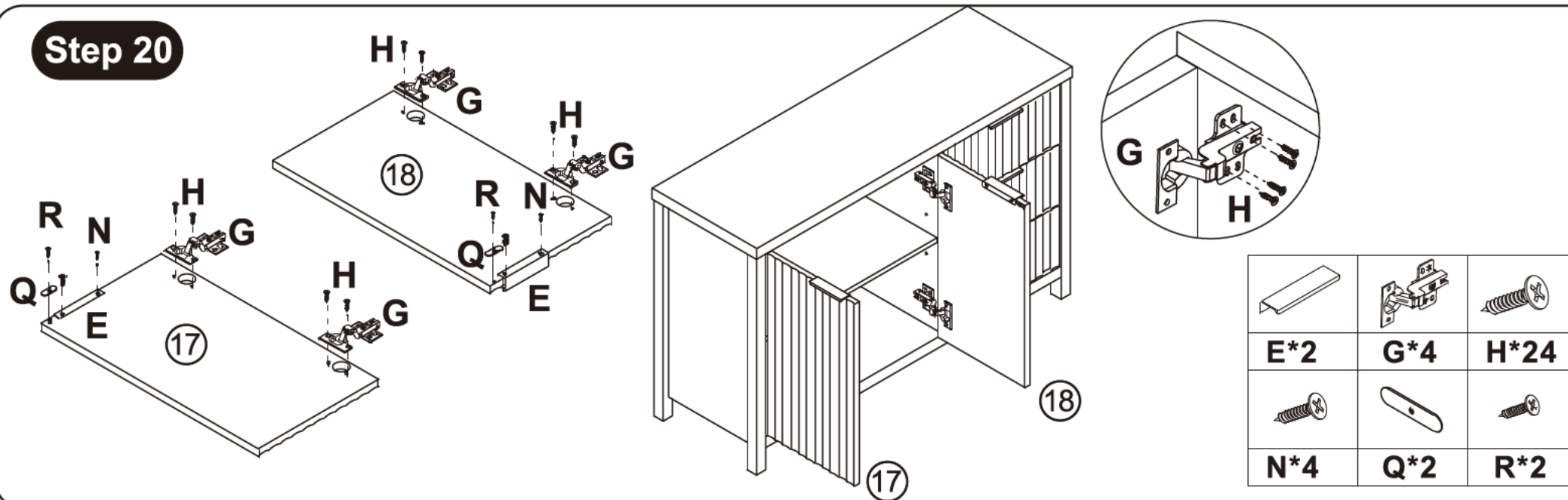
Step 18



Step 19



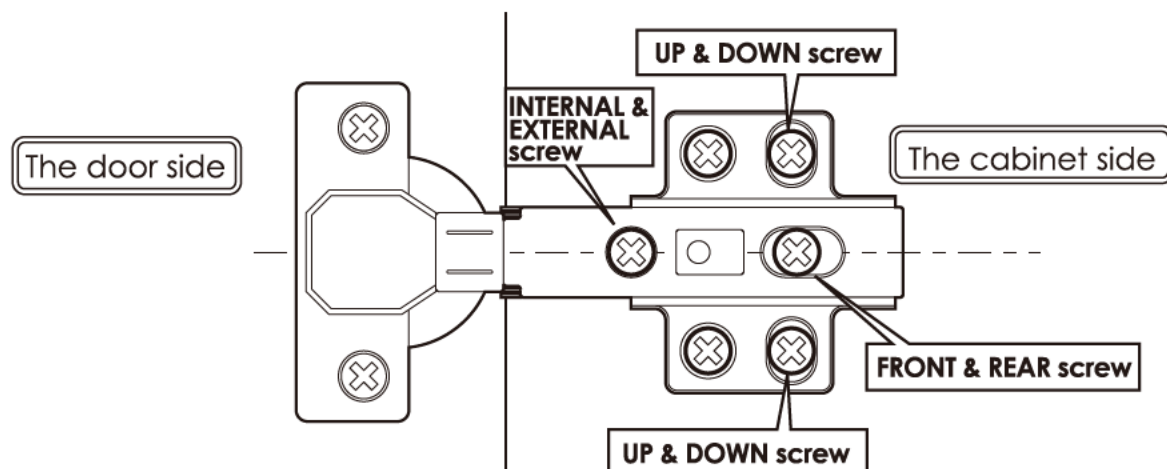
Step 20



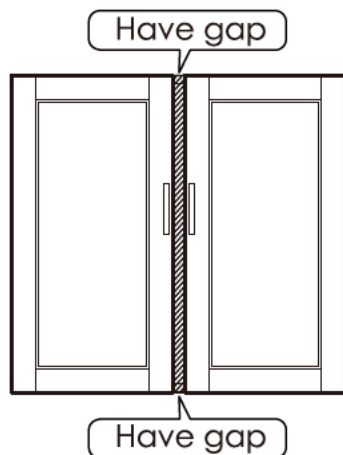
Adjusting the door

- Before adjusting the hinge, please check whether the cabinet is skewed.
- If the skew can not be repaired, please remove the anti-tipping device first, then adjust the cabinet to vertical position.
- Please adjust the hinge with the door open.
- Please operate it with more than 2 people, one person holds the door and the other one adjusts the screw.

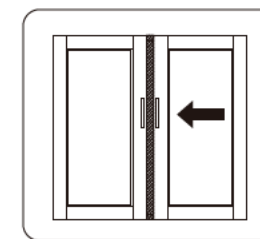
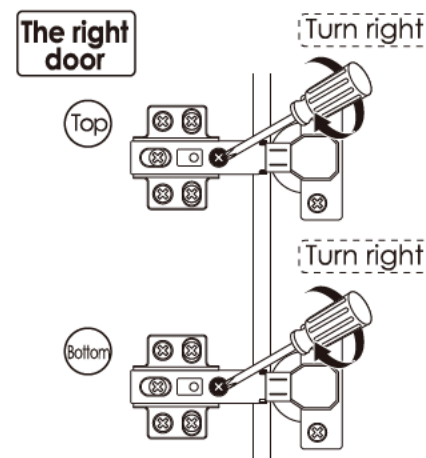
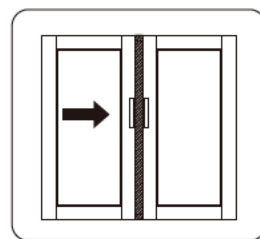
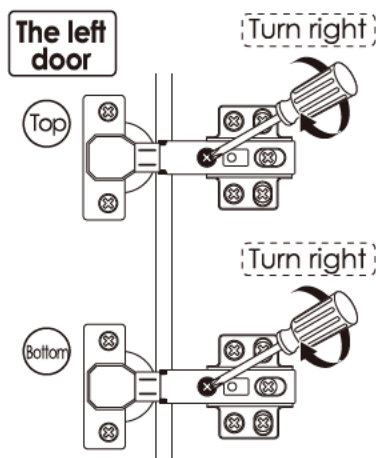
Components Name



Obvious gaps between doors or Doors don't look closed

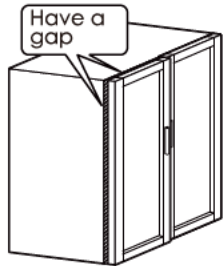


- 1 Turn "internal & external screw" to the right can make the door approach inside. Please adjust the doors little by little.



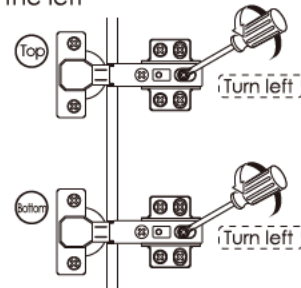
※ If the 2 doors are overlap, please turn the "internal & external screw" to the left.

When door is crooked



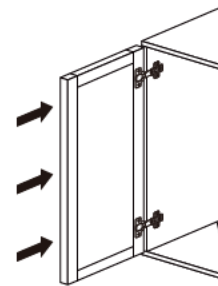
Please take the following steps to adjust first.

- 1 Rotate the "front and rear screws" to the left

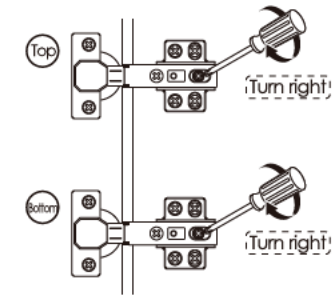


※ After adjusting the "front and rear screw", the door still does not change, please turn the "internal & external screw" to the right Slightly.

- 2 Push the door to the cabinet



- 3 Rotate the "front and rear screws" to the right

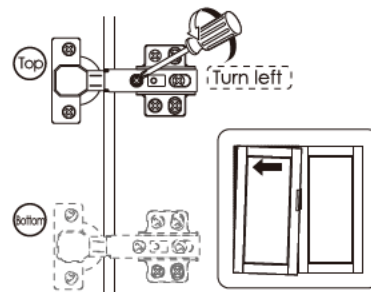


When door is leaning

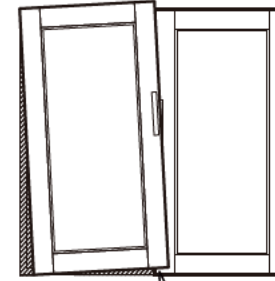


Protruding to the underside

- 1 Turn "internal & external screw" to the left can make the top of the door tilted outward.

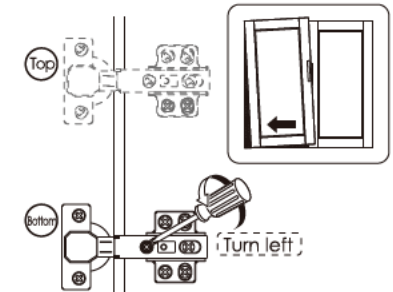


Protruding to the upside

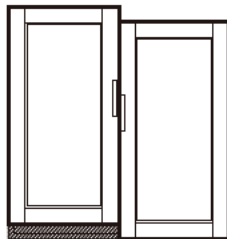


Overlap

- 1 Turn "internal & external screw" to the left can make the bottom of the door tilted outward.

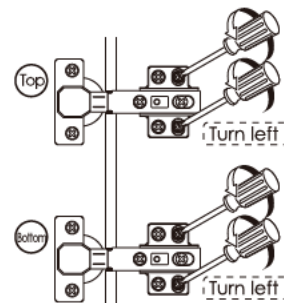


When the door is higher on top

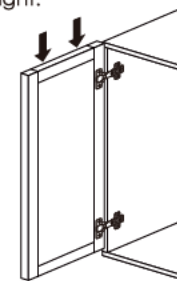


Have gap

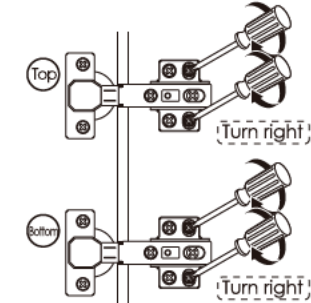
- 1 Turn "up & down screw" to the left



- 2 Lower the door's height so that 2 doors are of the same height.

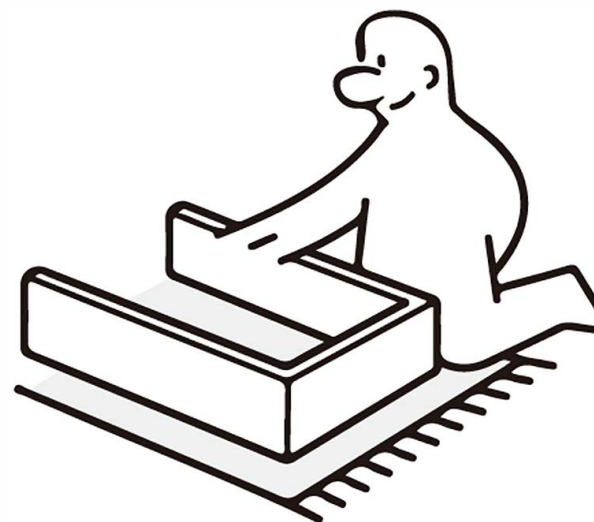
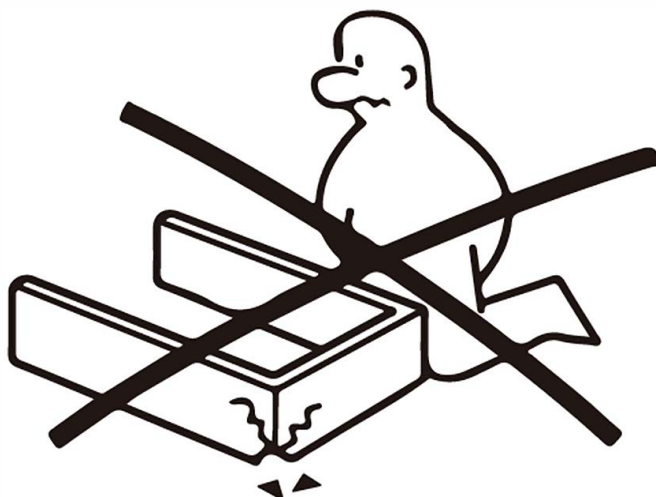


- 3 Turn "up & down screw" to the right



※ If the door is lower on bottom, please lift up the left door slightly on step 2

※ **Stay Scratch-Free: Safeguard Your Furniture by Assembling on Carpet.**



※ **Stuck in Assembly? Check out our website or contact our support team for quick solutions!**

