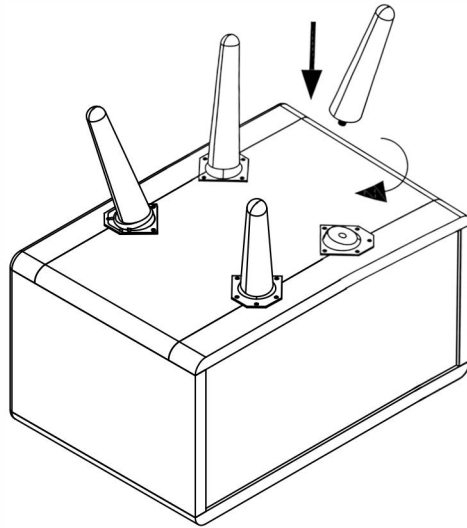


Bedside Cupboard Assembly Instructions

Step:

Place the cabinet upside down or sideways, and assemble four legs



Details:

