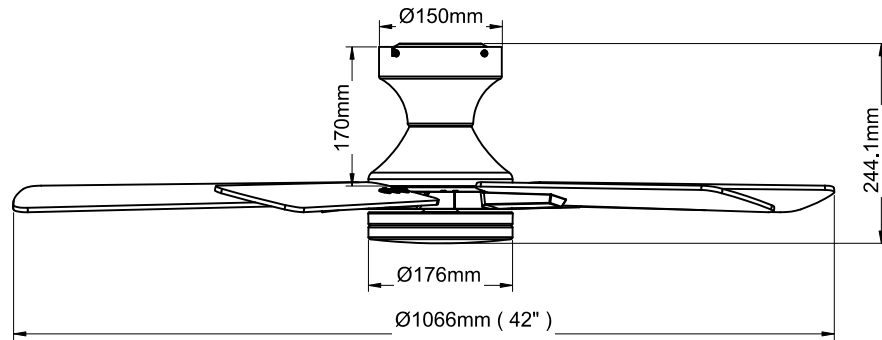


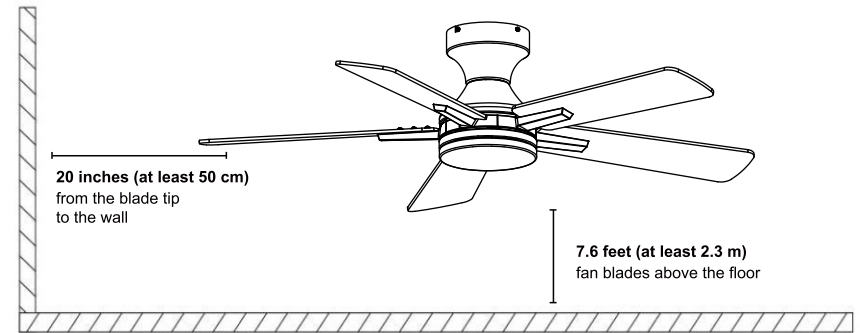
SPECIFICATIONS



Product Name	Ceiling Fan
Rated Voltage	110V~120V
Motor Power	30W
Wind Speed Level	1~6
Control Method	APP, Remote Control
N.W & G.W.	N.W. = 9.03 lbs; G.W. = 10.58 lbs
Type of Motor	DC
Sound Level	30dB
Fan Material	Durable 5 Plywood Fan Blades

SKU/Model: YJ888-42-FWWL-QY2/YJ888-42-FBBW-QY2/
YJ888-42-FGWB-QY2
ETL MODEL: YJ888

Instruction Manual



CONTACT INFORMATION We want to hear from you!

Feel free to contact us if you have any problems using our product(s) or would like to know more about our brand.

We will be more than happy to provide you with first class pre-sales & after-sales service 24*7.

E-mail: quy1206@163.com

For any problems about this product, you can contact this email



Installation Video

APP Connection

SAFETY INFORMATION:



WARNING

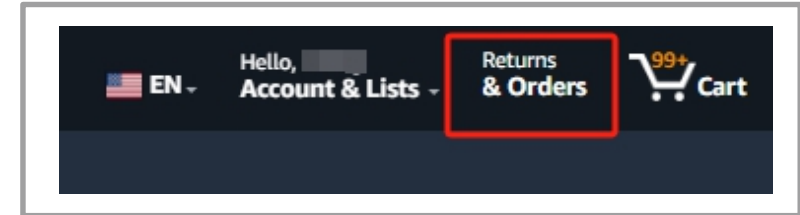
SAFETY INFORMATION:

1. Do not install the fan with wet hands.
2. Keep children away from your working area.
3. Do not insert foreign objects between the rotating fan blades.
4. Do not bend the fan blades when installing or cleaning the fan.
5. Do not disassemble or modify this product or use non-original parts without permission.
6. Make sure that the installation location allows the fan blades to rotate without obstacles.
7. To reduce the risk of personal injury, attach the fan directly to the building's support structure.
8. To reduce the risk of fire or electric shock, turn off the power to the fuse box or circuit breaker before installing the fan.
9. Before connecting the power supply, make sure that the power supply used matches the specifications of the ceiling fan.
10. All wiring must comply with national and local electrical codes ANSI/NFPA 70. If you are not familiar with wiring, please use a qualified electrician.
11. Properly dispose of the fan's packaging material. Make sure the ceiling fan is firmly secure to the ceiling. Double check all connections before you restore power. Turn off the fan and wait for the blades to stop completely before performing any maintenance or cleaning.
12. Using power supply 120V/60Hz.

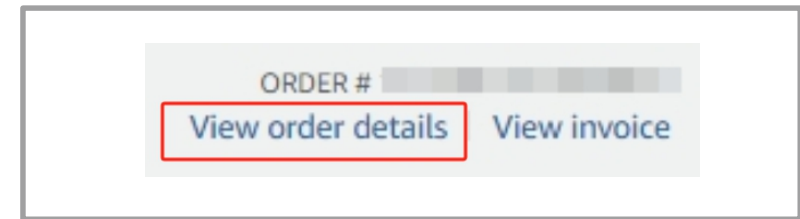
CONTENTS:	
SAFETY INFORMATION	01
FAN STRUCTURE DRAWING	02
INSTALLATION INSTRUCTION	03
REMOTE CONTROL MANUAL	07
BLUETOOTH CONNECTION INSTRUCTION	08
APP CONTROL MANUAL	10
SPECIFICATIONS & TROUBLESHOOTING	12

CONTACT US

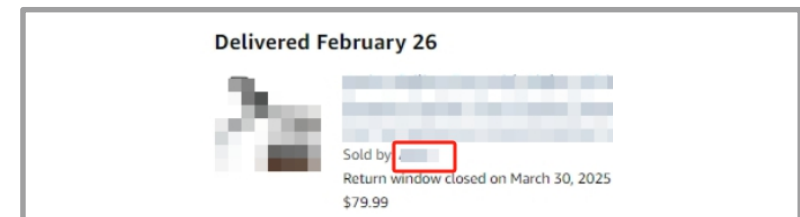
Feel free to reach out to our Customer Support via Amazon orders for any issues, or you can send inquiry to our official email address: quy1206@163.com



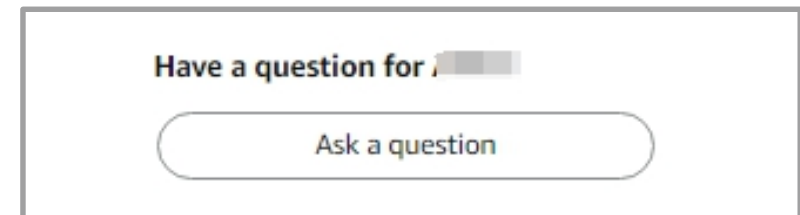
Step 1: Log into your Amazon.com account, click **“Returns & Orders”** on the top-right corner.



Step 2: Find your order in the list and click **“View order details”**.



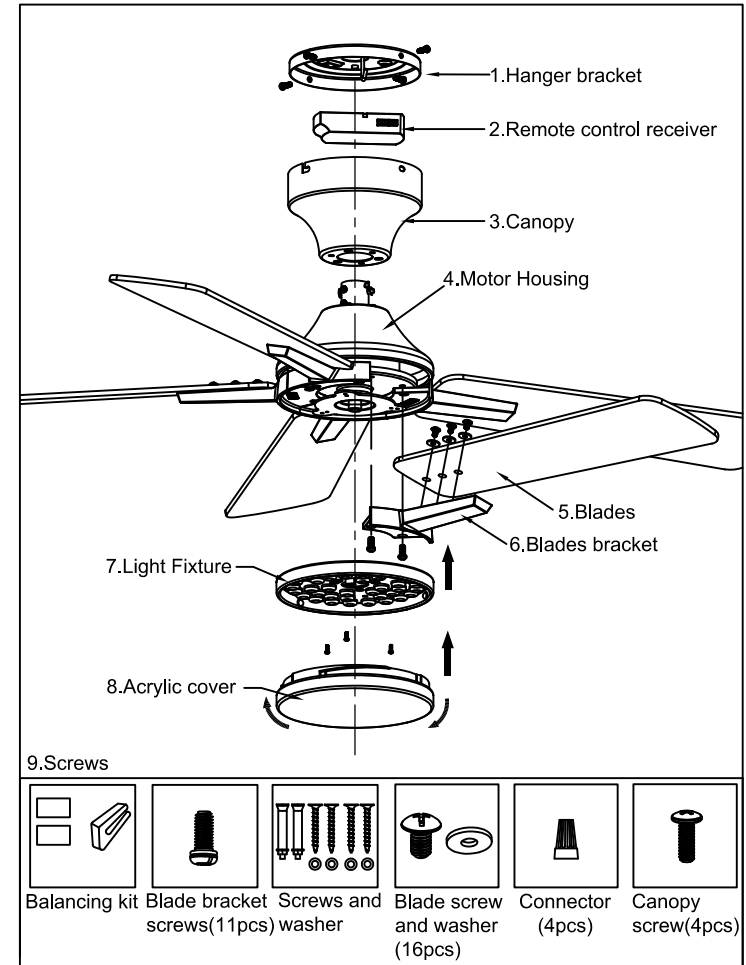
Step 3: Click the **“Store Name”** following the Sold by, below the product title.



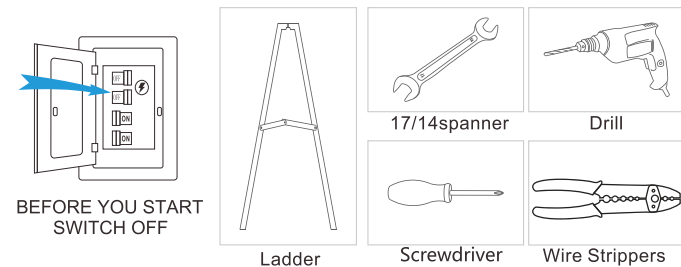
Step 4: Click the button **“Ask a question”**, on the top-right corner, to contact the seller.

FAN STRUCTURE DRAWING:

PROBLEM	REASON/PHENOMENON	POSSIBLE SOLUTION
Fan shaking	1.Blade screw 2.Downrod screw 3.Unbalanced	13. Confirm Blade Screw Positions: Double-check the correct positioning of the blade screws. If necessary, reinstall them. 14. Tighten Screws Above and Below the Downrod: Securely tighten the screws both above and below the downrod. 15. Use Balancing Kit Accessory for Balance: If needed, use the provided balancing kit accessory to adjust the balance of the fan.
Fan not moving	Main cables not connected	16. Check Main and Sub Circuit Breakers or Fuse: Verify the status of the main and sub circuit breakers or fuses. 17. Examine Line Wire Connections: Check the connections of the line wires to the fan and the switch house. Reconnect any motor-related wires and terminals as necessary. 18. Ensure Remote Control Pairing: Confirm that the remote control is properly paired with the fan.
Fan noisy	1.Housing screw loose. 2.Wire nut connectons raales against each other. 3.Canopy touches the ceiling.	19. Tighten All Screws Securely: Ensure that all screws are tightened securely. 20. Neatly Store Wire Nut Connections: Properly organize and store the wire nut connections. 21. Check Canopy Position: Verify that the canopy is not touching or positioned too closely to the ceiling.
Remote control not working	1.Remote & Receiver pairing out. 2.Batery not installed. 3.Batery weak.	22. Re-Pair Remote Control: With the fan's power on, press and hold the top OFF button on the remote control for 15 seconds to initiate the pairing process. 23. Verify AAA Battery and Polarity: Ensure that the remote control's battery is of the AAA type and that it is installed with the correct polarity. Make sure the battery has a power level of more than 30%. 24. Replace the Battery: If the remote control still does not work, replace the battery with a new one.
Receiver	Not working	25. Inspect Wires and Terminals: Examine the wires and terminals, and reconnect them. If the issue persists, please contact customer service for further assistance.



TOOLS THAT MAY BE USED DURING INSTALLATION :

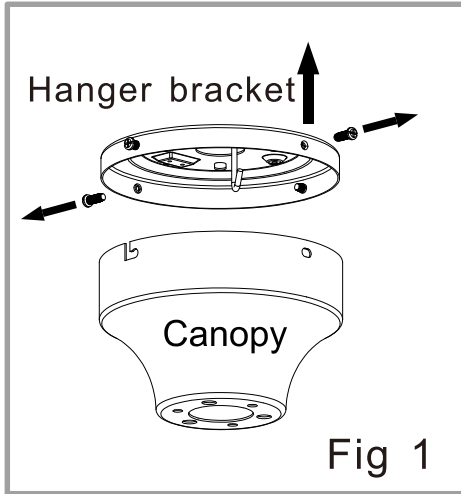


NOTE:

Suitable for conventonal switches, can control the fan and light on/off.

NOTE that you cannot connect the dimmer switch or the fan's gear switch.

1. REMOVE HANGER BRACKET FROM CANOPY



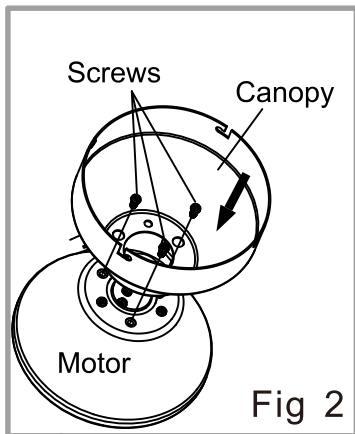
1) Remove the two opposite screws from the hanger bracket.

NOTE: The two screws will be used during the step 7 'INSTALLATION OF CEILING FAN'.

2) Remove hanger bracket from canopy.

Fig 1

2. INSTALLATION OF CANOPY:



HARDWARE USED



3/16*12
Truss head screws
(Canopy screws)
3pcs

Align the hole of canopy and motor, using the screws from hardware bag to tighten the motor and canopy. (fig 2)

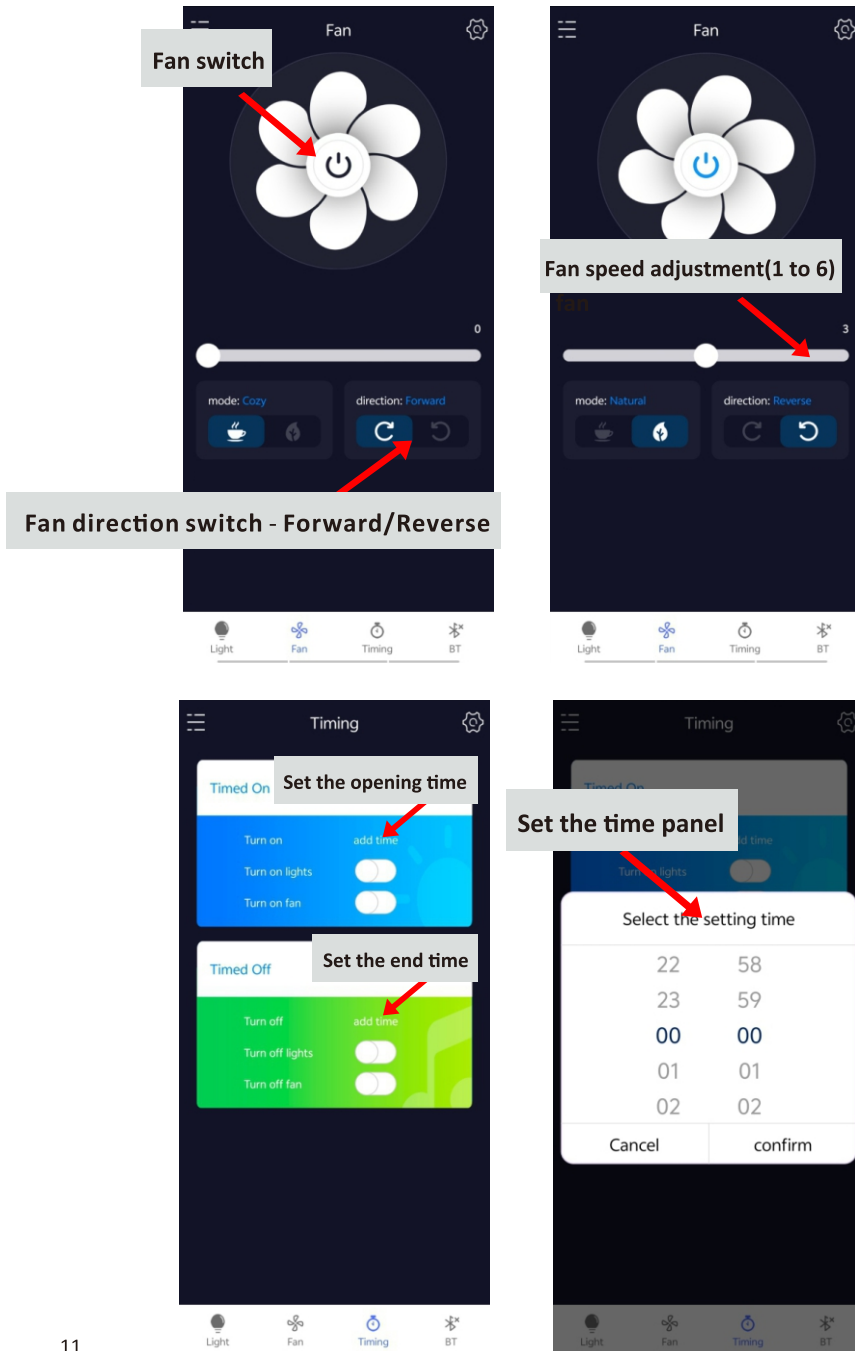
Fig 2

TROUBLESHOOTING:

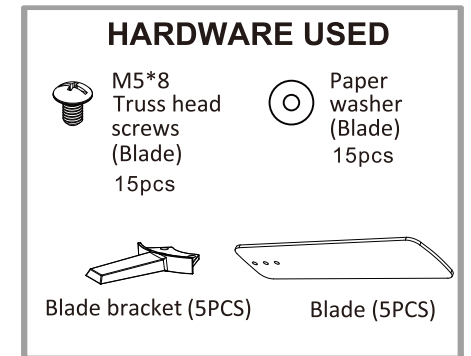
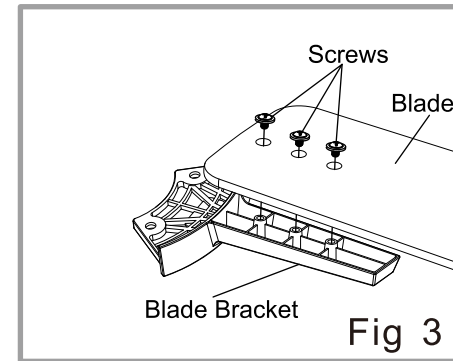
PLEASE CHECK THE FOLLOWING BEFORE LODGING A SERVICE REPORT

PROBLEM	REASON/PHENOMENON	POSSIBLE SOLUTION
Lighting	Light not working	<ol style="list-style-type: none"> 1. Check Receiver Pairing: Verify whether the receiver is properly paired with the remote control. 2. Inspect and Reconnect Light-Related Wire Connections: Examine and reconnect the wire connections associated with the lights.
	Light flashing	<ol style="list-style-type: none"> 3. Check Light-Related Wires for Damage: Inspect the wires related to the lights for any signs of damage. If any wires are damaged, please use electrical tape to seal them.
Network connection	Connectionless	<ol style="list-style-type: none"> 4. Download and Install the Tuya Smart App: Download and install the Tuya Smart App, and prepare the remote control for setup. 5. Ensure Bluetooth and Fan Power: Keep your cell phone's Bluetooth activated, and ensure that the ceiling fan has a stable power source to prepare for activation. 6. Use 2.4GHz WIFI (Not 5GHz): Connect to a 2.4GHz WIFI network (not 5GHz). If the signal strength is weak, you can also try enabling your cell phone's hotspot network environment. 7. Confirm Ceiling Fan Power and Pairing: Confirm that the ceiling fan is powered on. Then, press and hold the WiFi button on the remote control for ten seconds until you hear a ticking sound. 8. Connect with Tuya Smart App: Open the Tuya Smart App, and the device should automatically appear. Click to connect.
Voice control	Connectionless	<ol style="list-style-type: none"> 9. Verify Proper Device Connection and Functionality: Ensure that the device is correctly connected to the app and is functioning as expected. Make sure you are using a 2.4GHz WIFI network and have Bluetooth enabled. 10. Follow Voice Command Instructions: Follow the voice command instructions provided in the user manual. Note that only Alexa and Google are supported.
Installation	Blades installation	<ol style="list-style-type: none"> 11. Secure Screws Properly: Initially, secure some of the screws, but avoid over-tightening. Then, tighten the remaining screws, and finally, secure the pre-locked one.
	Canopy installation	<ol style="list-style-type: none"> 12. Adjust Canopy Fit: If the canopy doesn't fit, it may be due to the receiver or wires not being fully seated in the hanger bracket or on either side of the hanger. In this case, you will need to separate the wires toward the left and right sides to ensure the receiver is fully seated in the bracket.

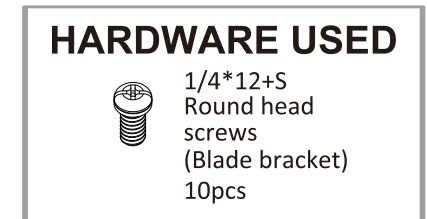
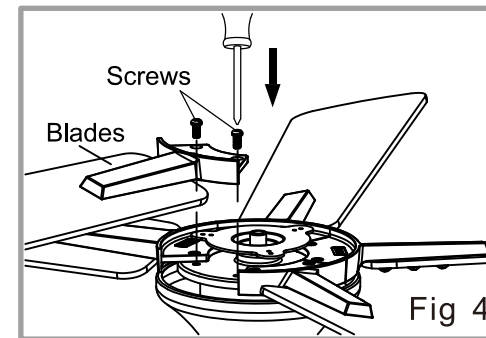
APP CONTROL MANUAL :



3. INSTALLATION OF FAN BLADES:



1) Secure each blade to blade bracket with screws and paper washer from hardware bag. Repeat five times.(Fig 3)

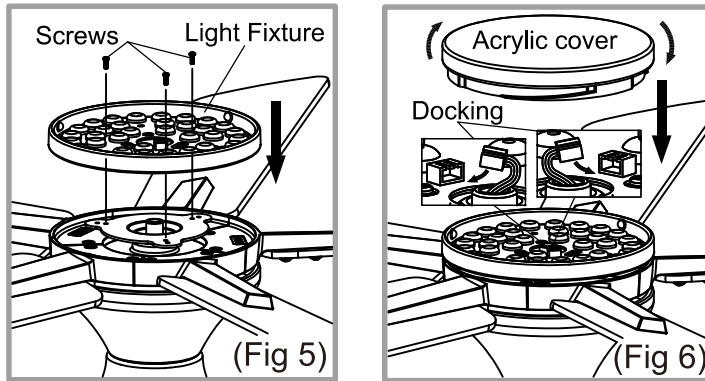


2) Attach the blade bracket to the motor holes, then attach and tighten the screws. Repeat five times. (Fig 4)



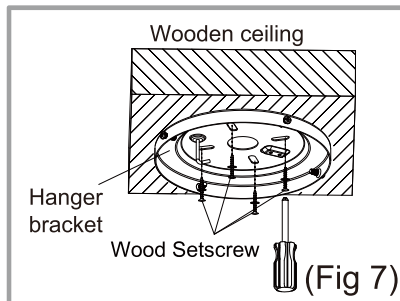
Please do not use an electric drill to install the solid wood /plywood blades.

4. INSTALLATION OF LIGHTKIT:

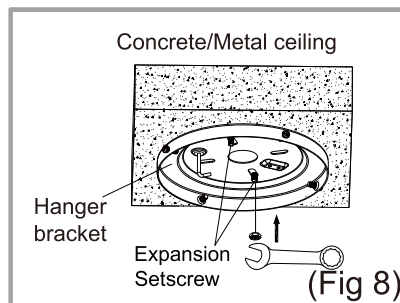


- 1) Remove three screw from the motor round piece. (fig 5)
- 2) Fix the light kit with the 3 screws. (fig 5)
- 3) Connect the motor line to the panel line. (fig 6)
- 4) Rotate the light cover until fixed. (fig 6)

5. INSTALLATION OF HANGER BRACKET:



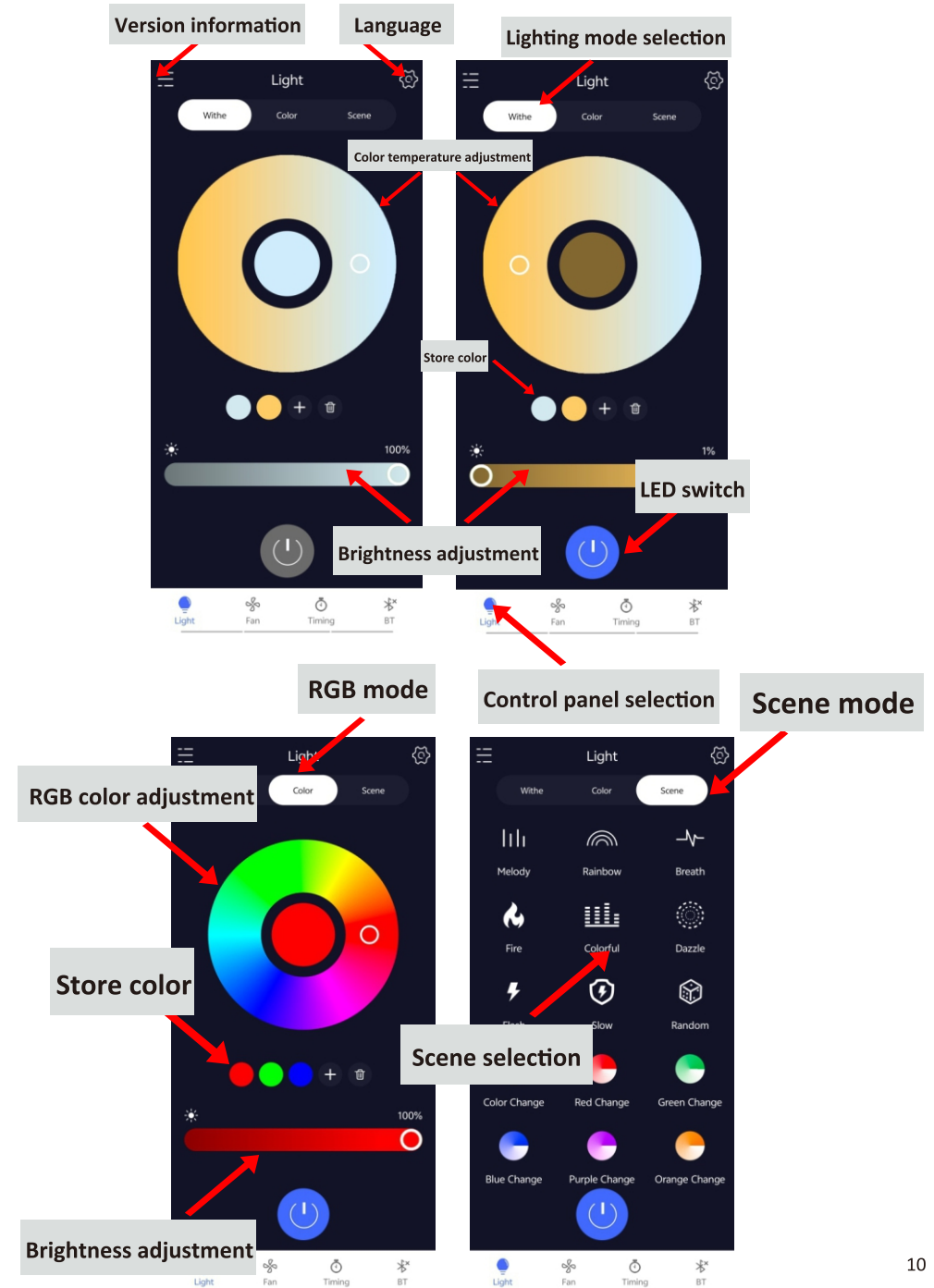
Wooden Ceiling:
Fasten the hanger bracket to the ceiling with 4 wood tooth screws. (Fig 7)



Concrete/Metal Ceiling:
Use the expansion screw to fix the hanger bracket to the ceiling. (Fig 8)

Note: Ceiling fan should be installed on hard ceiling (wood ceiling, metal ceiling, concrete ceiling), which withstands approximately 30 kilograms of force. Hole distance of hanger bracket is 77-82mm.

APP CONTROL MANUAL:



Bluetooth Connection (Instruction for Android) :



i-light pro



Android
(Google play)

Android installation instruction:

For the technique trait of bluetooth itself, the ability to cross the wall is weak. During lamp installation, ensure that lamp is installed in the region that is frequently used, avoid controlling bluetooth lamp across the wall.

NOTE: The fan lamp cannot be connected with multiple mobile phones. Please disconnect the fan lamp on old mobile phone before you connect a new one.

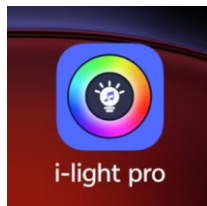
Android using instruction:

- 1. Apple Mobile: (For Android 4.0 and above) Scan QR Code to Install "i-light pro" app to the phone.
- 2. Add/Remove/Rename the Lamp.

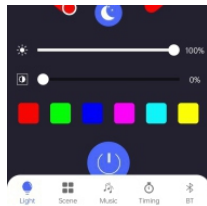
1. Connect smart bluetooth with the power, open "i-light pro" app, add the lamp according to the following steps:



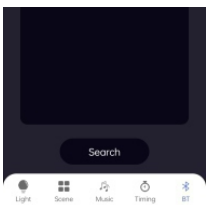
Open bluetooth in mobile phone settings



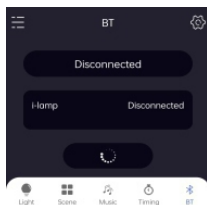
Click i-light pro to open the software



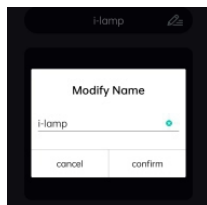
Click "bluetooth" to turn to bluetooth page



Click "search" to connect



When the name of i-light APP, it indicates the searching succeed, click to connect.



Click "confirm" can change the name of the device


6. WIRING OF CEILING FAN:

Total six colors of wires connected from the top of the motor:

- * Black, White, Yellow wires - for light kit
- * Black, White, Yellow wires - for RGB
- * Yellow, Red, Grey - live wire for fan
- * Green/Yellow - ground wire

The installation is to be in accordance with the National Electrical Code ANSI/NFPA 70 and local codes.

HARDWARE USED

	wire connectors
	P2 3pcs
	P4H 1pcs

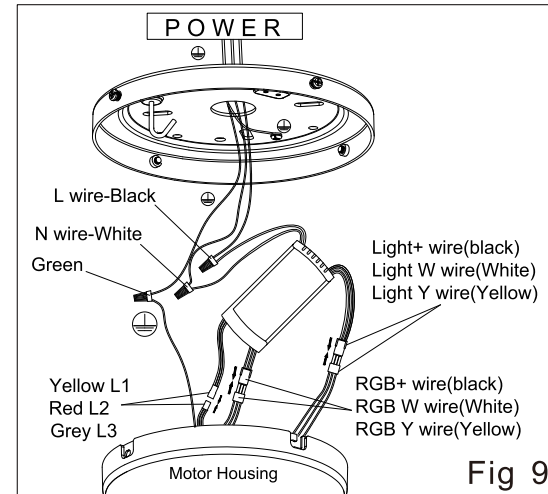


Fig 9

- 1) Plug the connector from the motor into the remote control receiver: big Connector to the big Socket & small Connector to the small Socket (Fig 9)
- 2) Connect wires of remote control receiver wires to AC wires (Household supply): Green to Ground, White to Neutral, Black to Live.

7. INSTALLATION OF CEILING FAN:

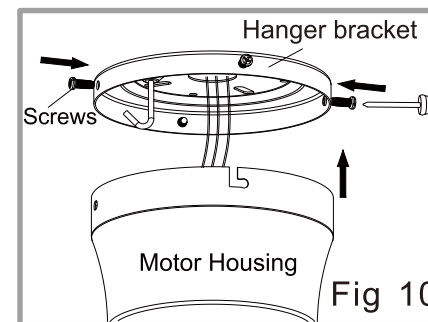
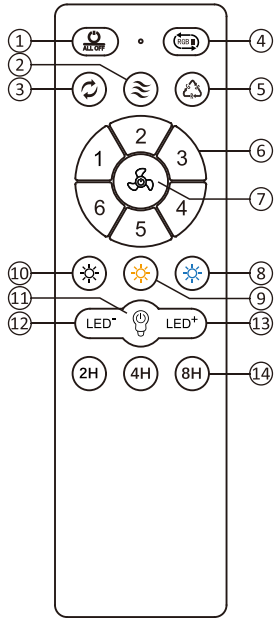


Fig 10

- 1) Unscrew the two screws from the hanger bracket out by 1/2.
- 2) Align the 'L' shape groove on the motor to the hanger bracket screws, insert the two screws into the groove until it's held tight.
- 3) Fix back the two screws which removed in the step 1 'REMOVE HANGER BRACKET FROM CANOPY' to the hanger bracket hole and tighten all the four screws firmly (fig 10).

REMOTE CONTROL MANUAL (BUTTON FUNCTION):

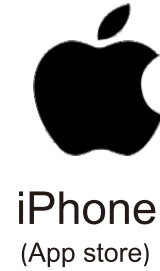


- ① Main switch
(Turn off all lights and stop fan operation)
- ② Natural wind
- ③ Fan - Forward/Reverse
- ④ RGB color dynamic cycle switch
(Scene mode light-Melody,Rainbow, Breath, Fire, Colorful, Dazzle, Flash, Slow)
- ⑤ RGB color static cycle switch
(6 light colors change-Yellow, Red, Green, Blue, Violet, Cyan)
- ⑥ Speed control (1-6 Speeds)
- ⑦ Fan Off
(Long press to pair the emitter and receiver)
- ⑧ Cool white light ON
- ⑨ Warm yellow light ON
- ⑩ Natural light ON
- ⑪ Light ON/OFF
- ⑫ LED light brightness decrease
(Short press 1 level, long press continuously lower)
- ⑬ LED light brightness increase
(Short press 1 level, long press continuously higher)
- ⑭ 2/4/8H Timer (Long press to cancel)

IMPORTANT:

1. Insert two size AAA alkaline batteries by matching **+** and **-** on the batteries to the diagram inside the battery compartment of the remote control.
2. Steps to pair the Emitter and Receiver:
 - i. Turn 'ON' the supply power.
 - ii. Within 10 seconds, press Emitter button '🌀' to pair.
 - iii. When the indicator light on the emitter stops flashing the learning code matching is successfully, (Learning mode is not accepted after turn "ON" the supply power for 10 seconds.)
3. When the Emitter cannot control the Receiver, check surrounding for any existence of similar remote control products. Some interference might occur when similar radio waves being transmitted.
4. Replace the batteries when found low in voltage as it will affected the sensitivity of the Emitter.
5. Always remove the batteries from the Emitter when leaving unused for long period of time.

Bluetooth Connection (Instruction for iPhone):



Android installation instruction:

For the technique trait of bluetooth itself, the ability to cross the wall is weak. During lamp installation, ensure that lamp is installed in the region that is frequently used, avoid controlling bluetooth lamp across the wall.

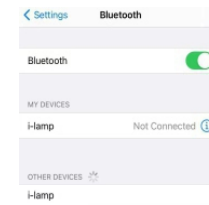
NOTE: The fan lamp cannot be connected with multiple mobile phones. Please disconnect the fan lamp on old mobile phone before you connect a new one.

Android using instruction:

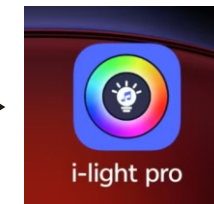
① Apple Mobile: (For IOS9.0 and above) Scan QR Code to Install "i-light pro" app to the phone.

② Add/Remove/Rename the Lamp.

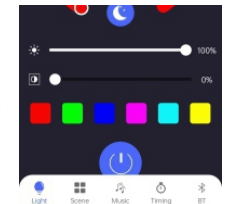
1. Connect smart bluetooth with the power, open "i-light pro" app, add the lamp according to the following steps:



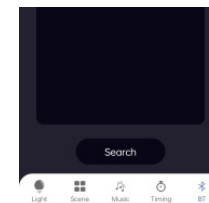
Open bluetooth in mobile phone settings



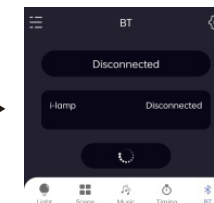
Click i-light pro to open the software



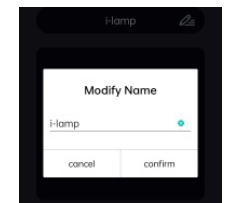
Click "bluetooth" to turn to bluetooth page



Click "search" to connect



When the name of i-light APP, it indicates the searching succeed, click to connect.



Click "🔍" can change the name of the device