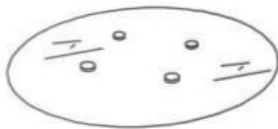


ASSEMBLY INSTRUCTION (Instrucciones de montaje)

PARTS LIST(Lista de partes)

1 -1Pc



2.-1Pc.



3.-4Pcs.



FITTINGS(Herrajes)

A -4pcs



M8*35

B -4pcs



M8*18

C -1pc



5#

D -4pcs



6#

E -1pc



M8*18

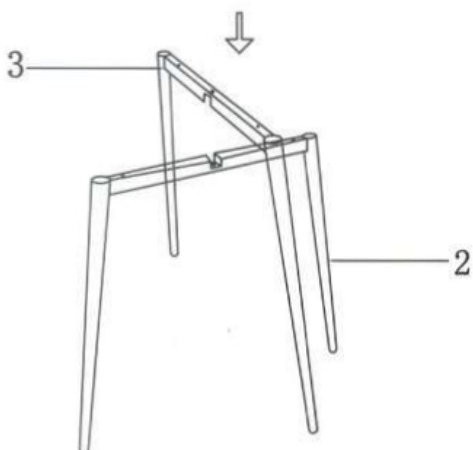
F -1pc



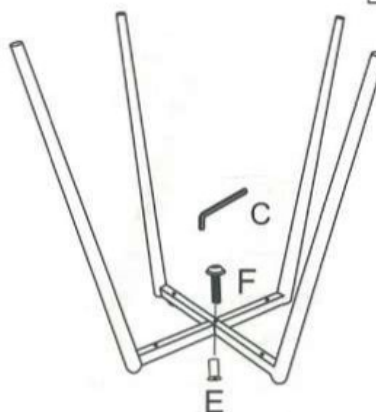
M8*25

We provide spare parts for your convenience. Please contact us if you ever need any extras.

1

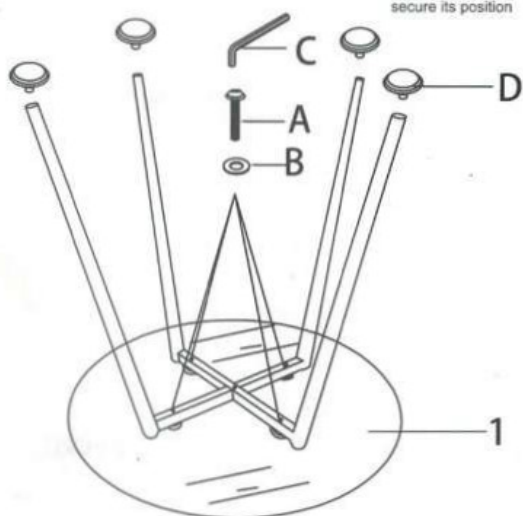


2



Please Do Not tighten screws to completely tight just yet, leave slack for adjustment

3



Please tighten all screws to secure its position



WARNING

