







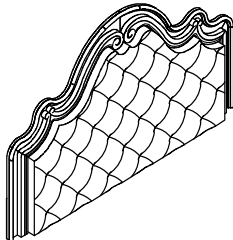
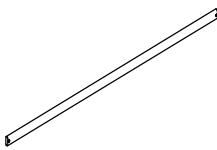
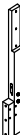



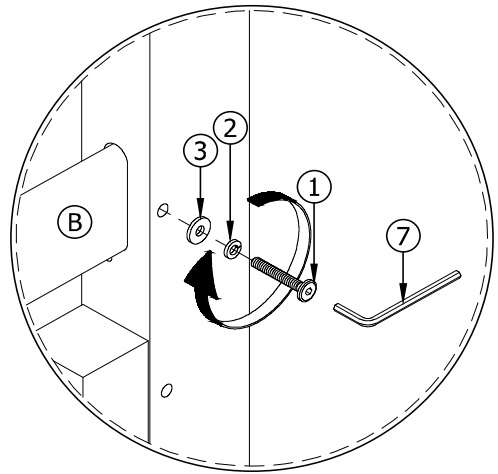
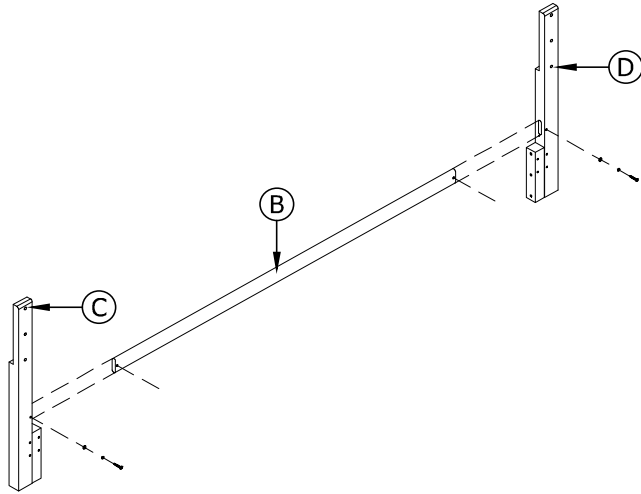
ASSEMBLY INSTRUCTIONS

TUFTED UPHOLSTERED HEADBOARD

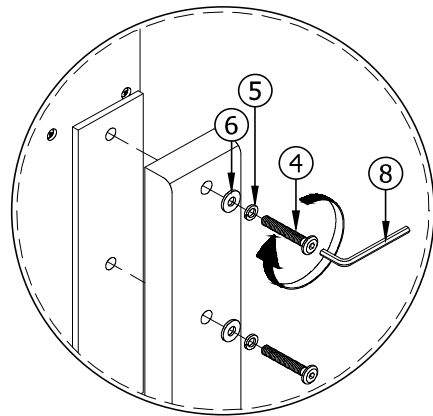
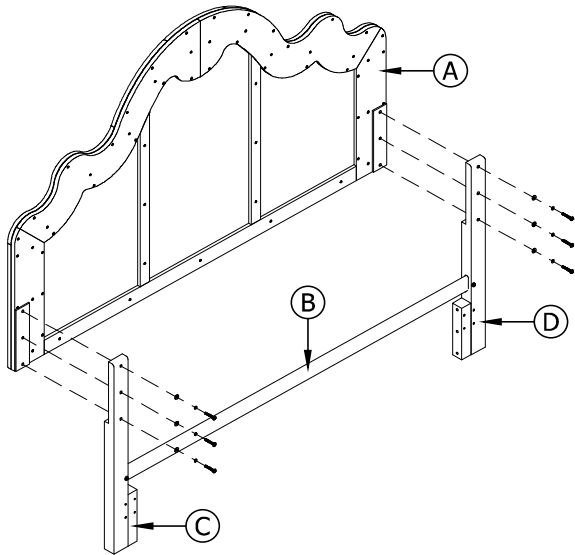
Thank you for purchasing this quality product. Be sure to check all packing material carefully for small parts, which may have come loose inside the carton during shipment. Identify and count all parts and compare with the Hardware List as below.

Hardware List	No.	Picture	Description	Dimension	Qty
	1		Small Bolt	Ø6 x 40 mm	2 Pcs
	2		Small Lock Washer	Ø6 x 11 x 2 mm	2 Pcs
	3		Small Washer	Ø6 x 16 x 2 mm	2 Pcs
	4		Large Bolt	Ø8 x 40 mm	6 Pcs
	5		Large Lock Washer	Ø8 x 13 x 2 mm	6 Pcs
	6		Large Washer	Ø8 x 19 x 2 mm	6 Pcs
	7		Small L Allen Wrench	#4 x 70 mm	1 Pc
	8		Large L Allen Wrench	#5 x 70 mm	1 Pc
Part List	No.	Description			Qty
	A		Headboard	1 Pc	
	B		Stretcher	1 Pc	
	C		Right Leg	1 Pc	
	D		Left Leg	1 Pc	

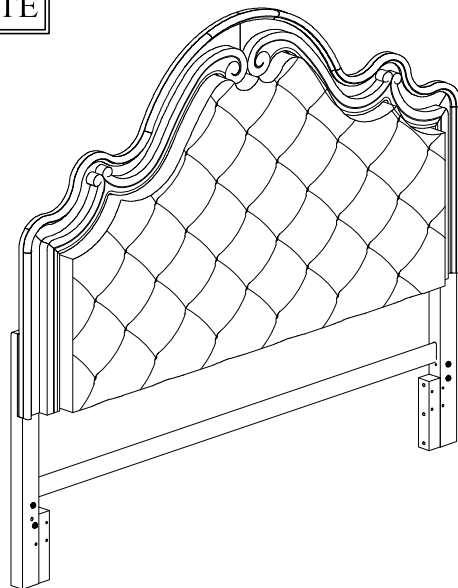
STEP 1



STEP 2



ASSEMBLY COMPLETE



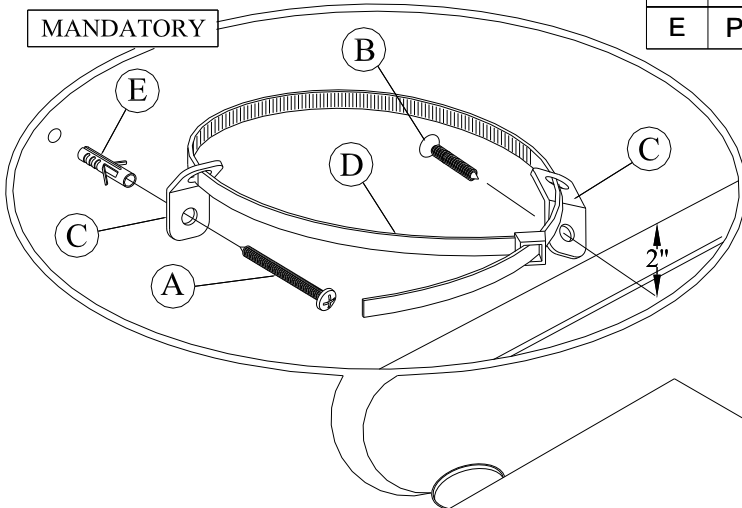
ASSEMBLY INSTRUCTIONS

3 Drawer night stand

BEFORE YOU START ASSEMBLING ,
PLEASE MAKE SURE ALL PARTS & HARDWARE ARE INCLUDE IN BOX :

NO	PARTS	QTY
1	3 DRAWER NIGHT STAND	1 PC

NO	HARDWARE	QTY
A	SCREW Ø8 x 2"	1 PC
B	SCREW Ø8 x 5/8"	1 PC
C	BRACKET	2 PCS
D	RESTRAIN STRAP	1 PC
E	PLASTIC ANCHOR	1 PC



WARNING

Serious or fatal crushing injuries can occur from furniture tipover. To help prevent tipover:

- Install tipover restraint provided.
- Place heaviest items in the lowest drawers.
- Unless specifically designed to accommodate, do not set TV's or other heavy objects on top of this product.
- Never allow children to climb or hang on drawers, doors, or shelves.
- Never open more than one drawer at a time.
- (OR)
- Do not defeat or remove the drawer interlock system





Use of tipover restraints may only reduce, but not eliminate, the risk of tipover.

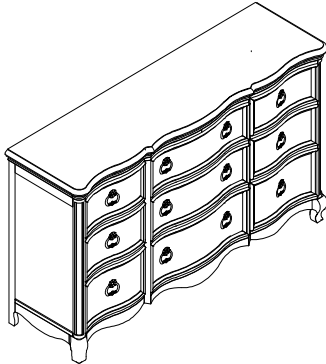
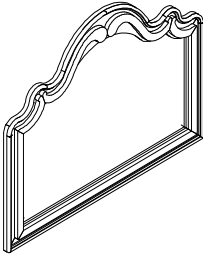

This is a permanent label. Do not remove!

ASSEMBLY INSTRUCTIONS

LANDSCAPE MIRROR DRESSER

Thank you for purchasing this quality product. Be sure to check all packing material carefully for small parts, which may have come loose inside the carton during shipment. Identify and count all parts and compare with the Hardware List as below.

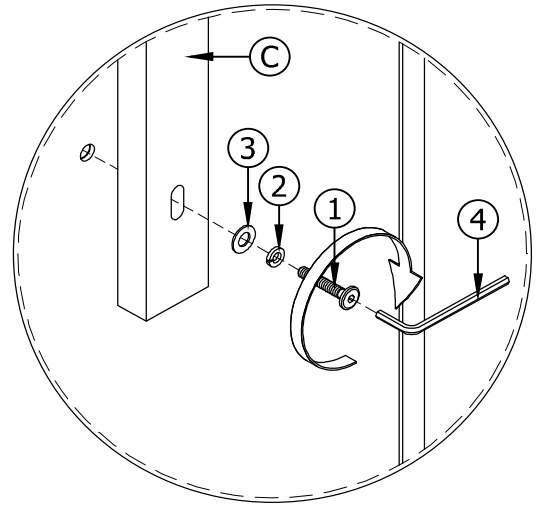
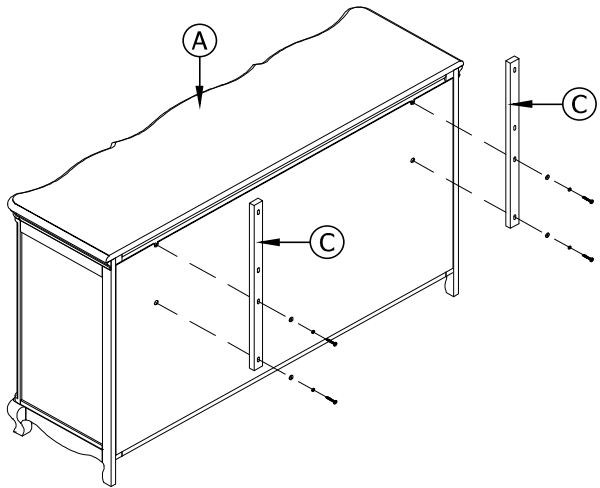
Hardware List	No.	Picture	Description	Dimension	Qty
	1		Bolt	M6 x 40 mm	8 Pcs
	2		Lock Washer	Ø12 x 6 x 2 mm	8 Pcs
	3		Washer	Ø18 x 6 x 1 mm	8 Pcs
	4		L Allen Wrench	#4 x 70 mm	1 Pc

Part List	No.	Description		Qty
Dresser	A		Dresser	1 Pc
Mirror	B		Mirror	1 Pc
	C		Support Mirror	2 Pcs

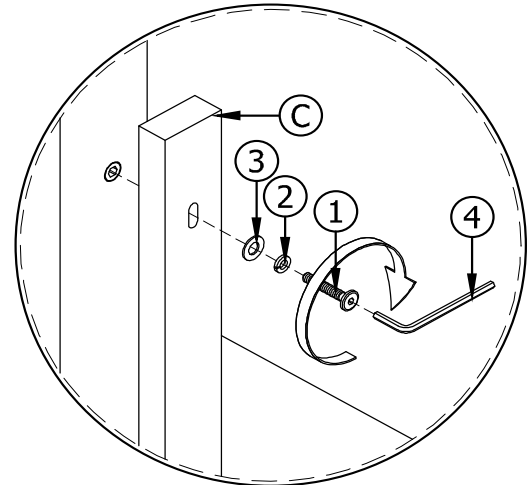
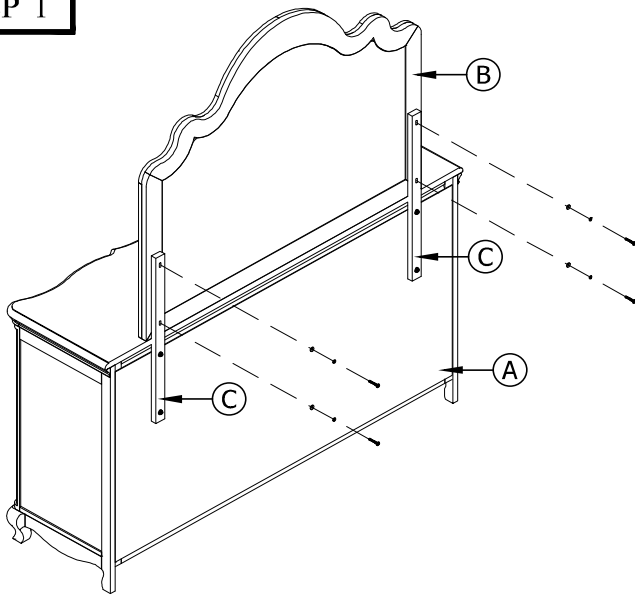
Caution:

These units can be cumbersome and heavy to some people. Therefore, the assistance of one or more people is recommended in order to prevent personal injury and insure the unit parts are not damaged during the assembly process.

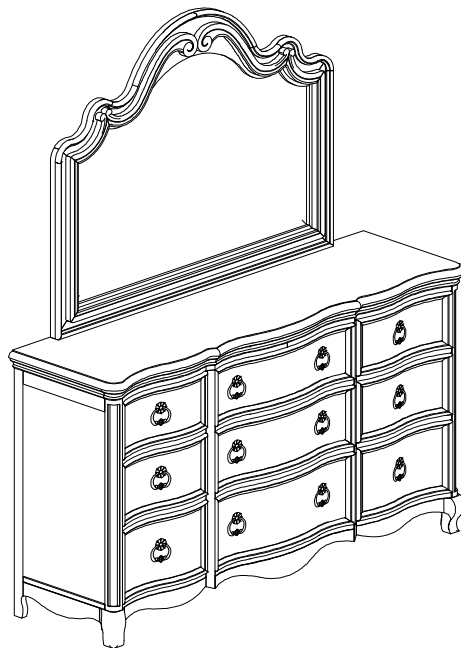
STEP 1



STEP 1






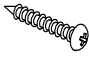

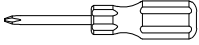
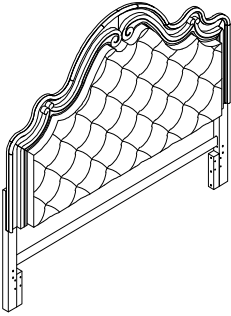
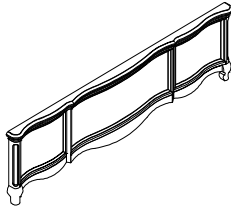
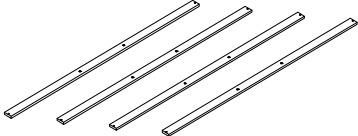
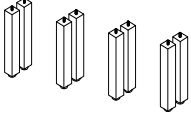
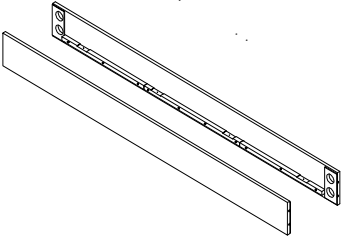
ASSEMBLY COMPLETE



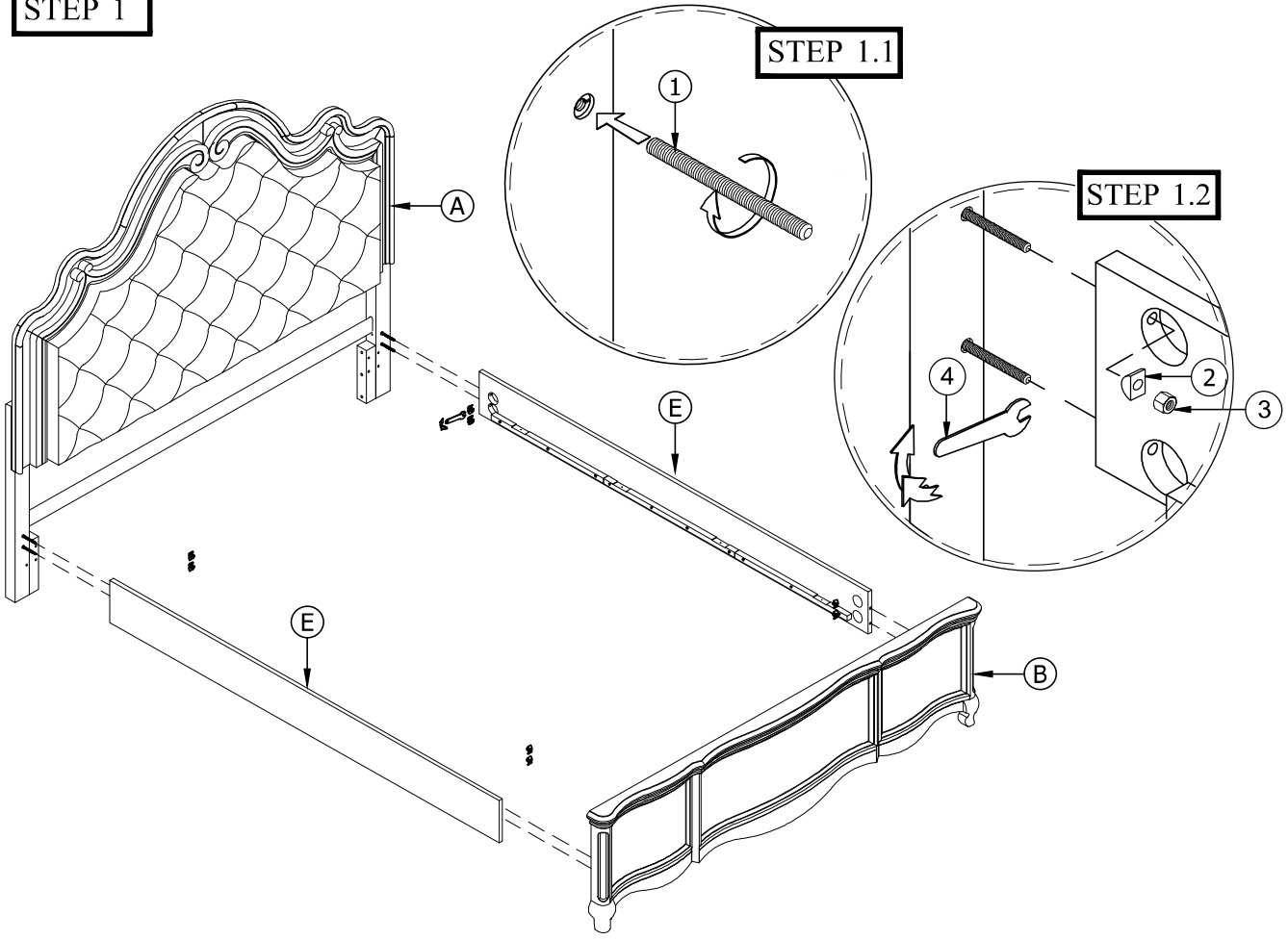
ASSEMBLY INSTRUCTIONS

TUFTED UPHOLSTERED HEADBOARD PANEL FOOTBOARD RAILS

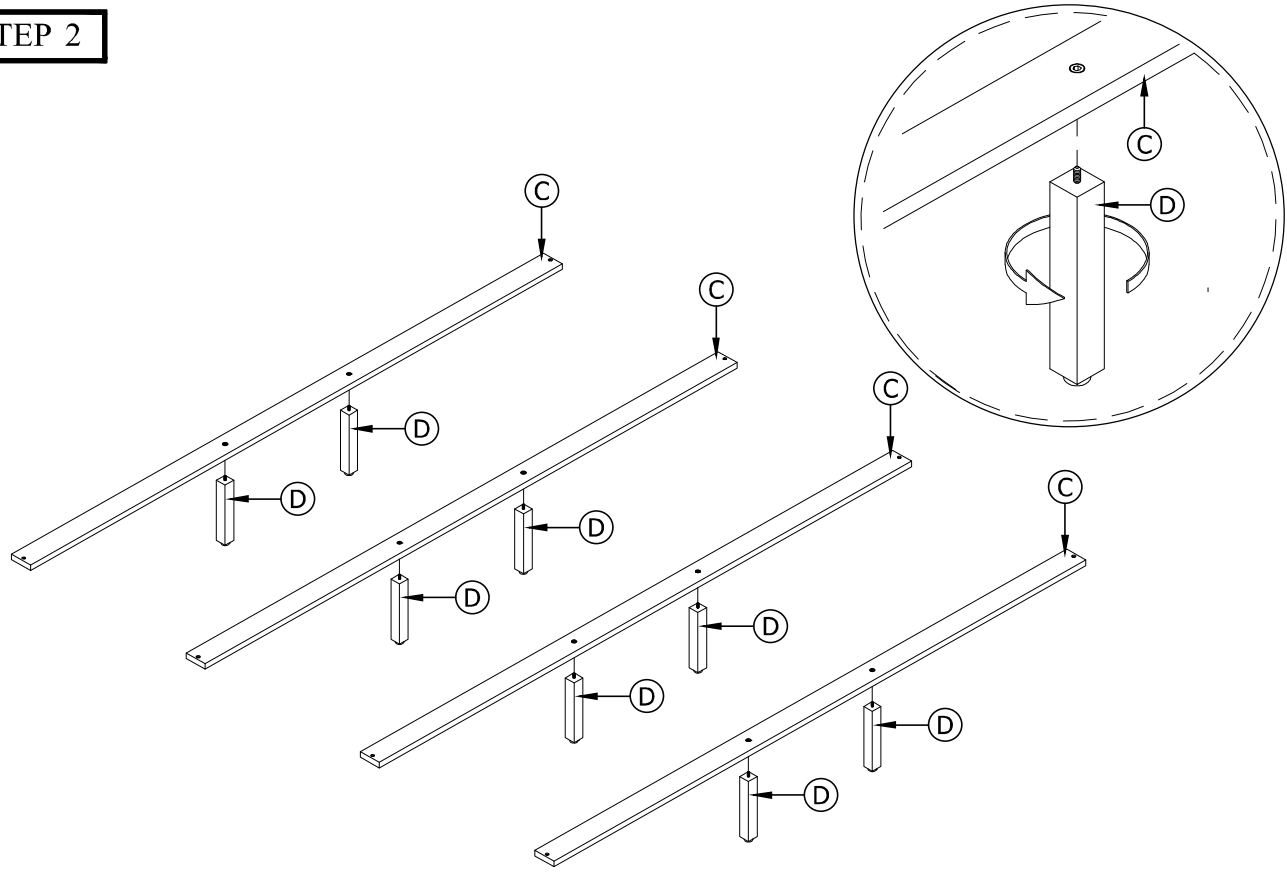
Thank you for purchasing this quality product. Be sure to check all packing material carefully for small parts, which may have come loose inside the carton during shipment. Identify and count all parts and compare with the Hardware List as below.

Hardware List	No.	Picture	Description	Dimension	Qty
	1		Bolt	Ø8 x 100 mm	8 Pcs
	2		Curve Ring	Ø8 x 15 mm	8 Pcs
	3		Nut	Ø8 x 6 mm	8 Pcs
	4		Screw	Ø8 x 32 mm	8 Pcs
	5		Wrench	#13 x 24 x 48 mm	1 Pc
	6		Phillips Head Screwdriver (Not Included)		
Part List	No.	Description			Qty
HEADBOARD	A				1 Pc
	B				1 Pc
FOOTBOARD	C				4 Pcs
	D				8 Pcs
SIDE RAILS	E				2 Pcs

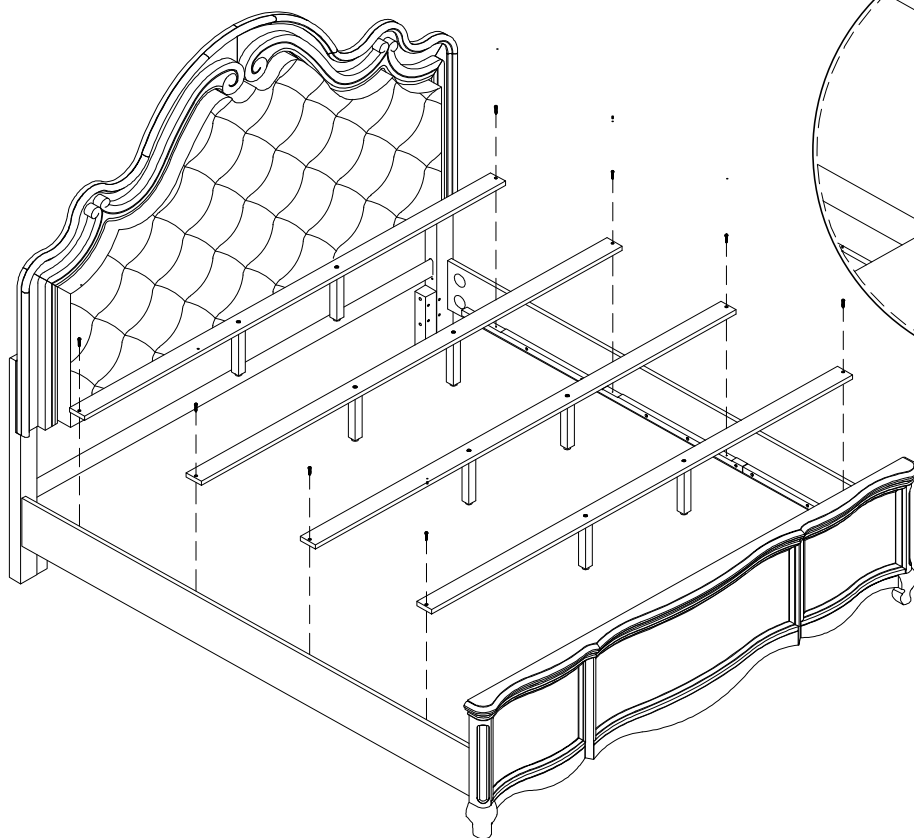
STEP 1



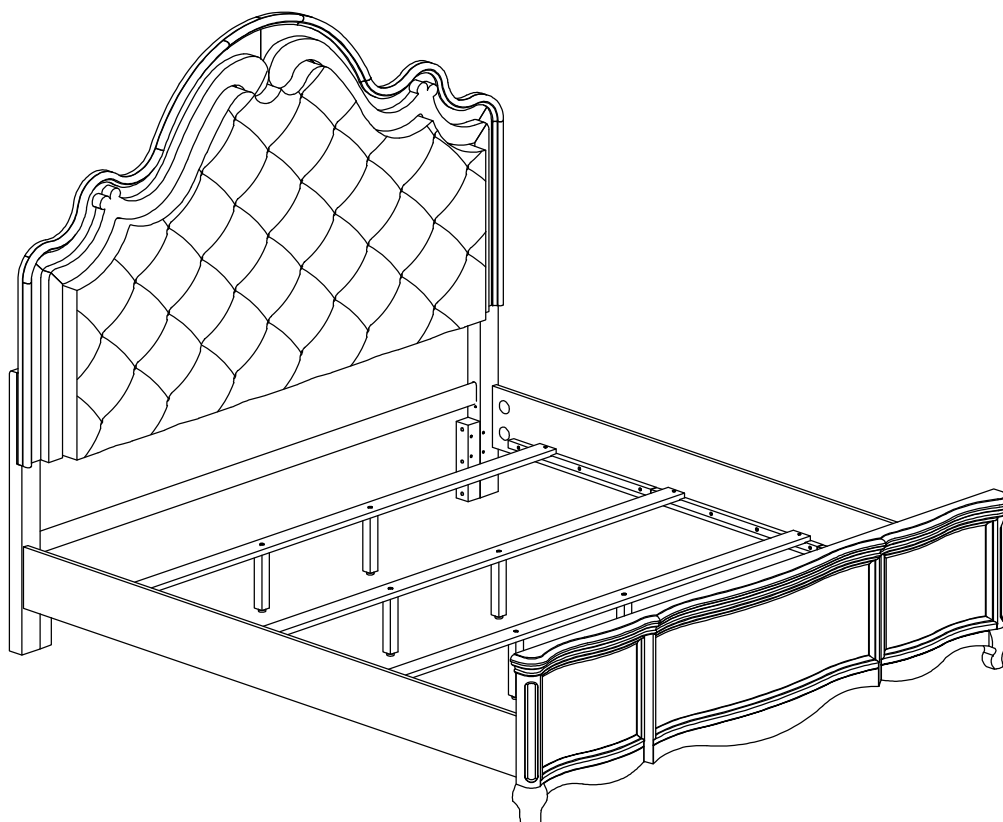
STEP 2



STEP 3






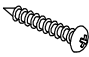

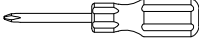
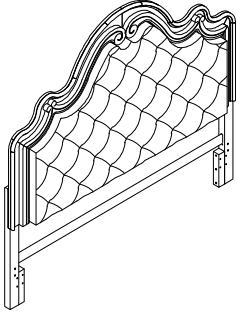
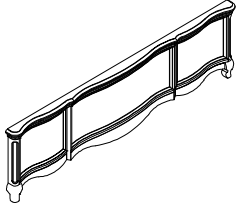
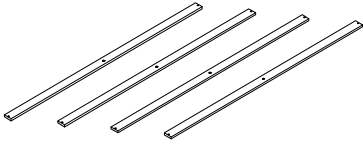
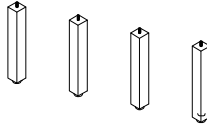
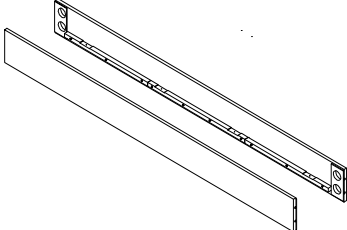
ASSEMBLY COMPLETE



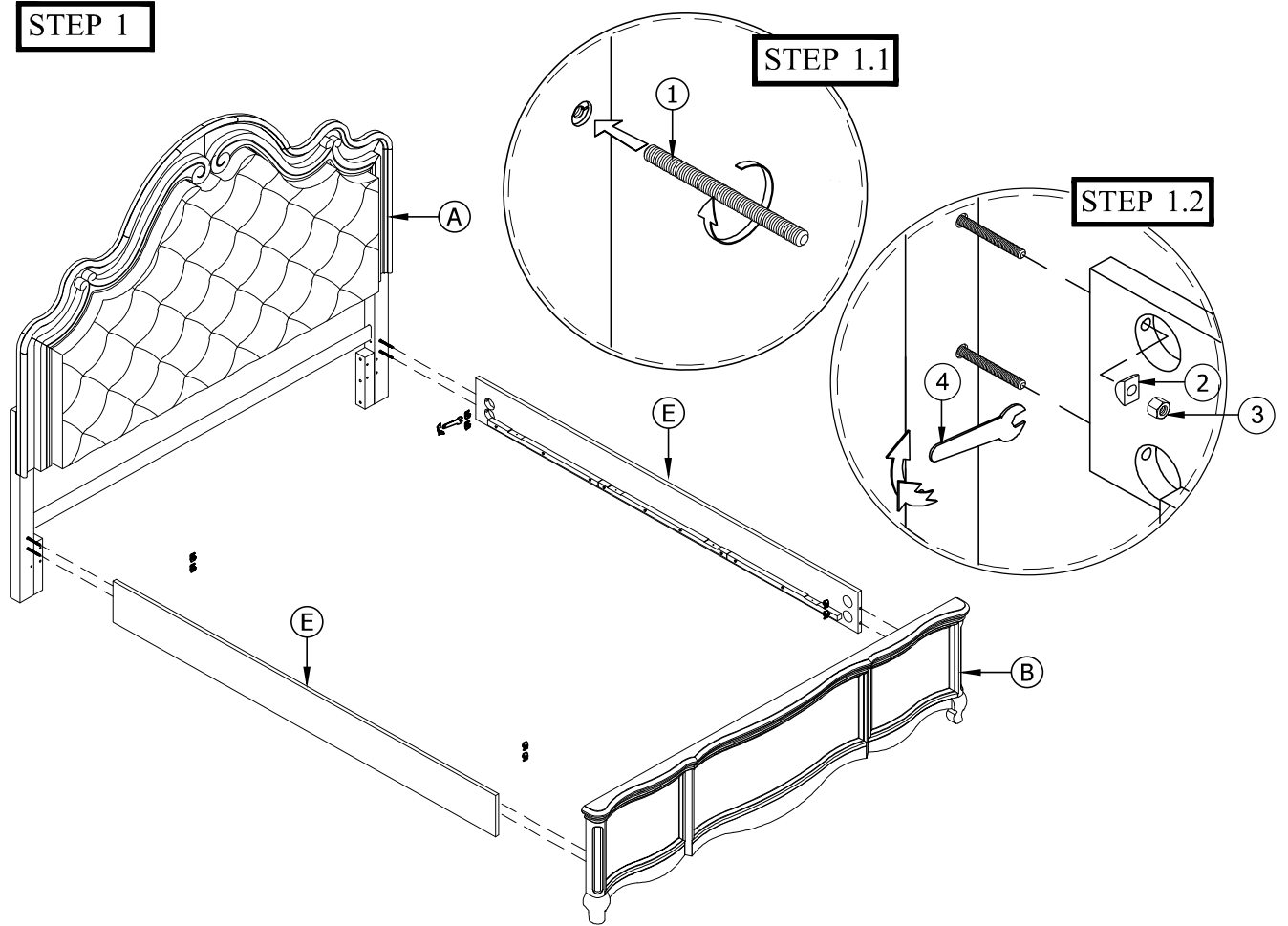
ASSEMBLY INSTRUCTIONS

TUFTED UPHOLSTERED HEADBOARD PANEL FOOTBOARD RAILS

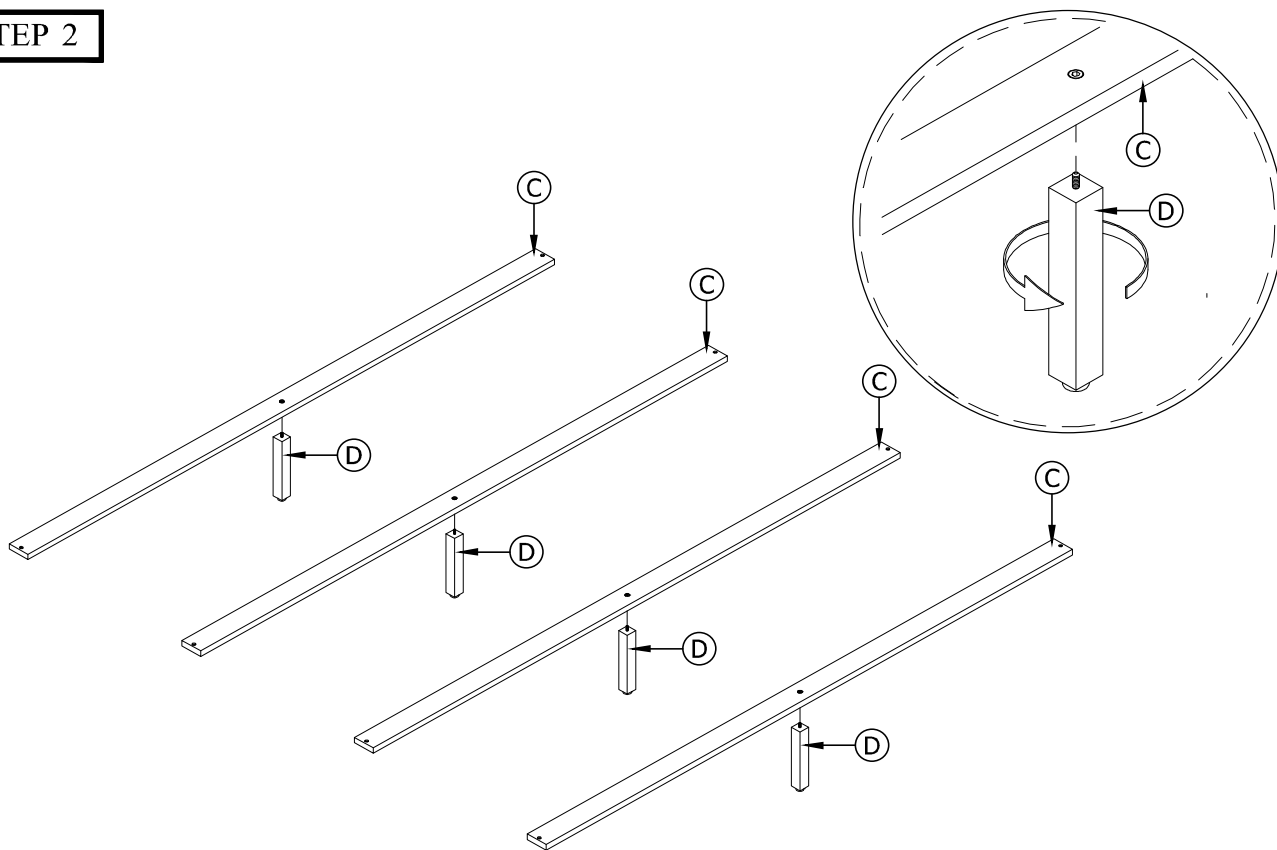
Thank you for purchasing this quality product. Be sure to check all packing material carefully for small parts, which may have come loose inside the carton during shipment. Identify and count all parts and compare with the Hardware List as below.

Hardware List	No.	Picture	Description	Dimension	Qty
	1		Bolt	Ø8 x 100 mm	8 Pcs
	2		Curve Ring	Ø8 x 15 mm	8 Pcs
	3		Nut	Ø8 x 6 mm	8 Pcs
	4		Screw	Ø8 x 32 mm	8 Pcs
	5		Wrench	#13 x 24 x 48 mm	1 Pc
	6		Phillips Head Screwdriver (Not Included)		
Part List	No.	Description			Qty
HEADBOARD	A		Headboard	1 Pc	
	B		Footboard	1 Pc	
FOOTBOARD	C		Slats	4 Pcs	
	D		Slat Support	4 Pcs	
SIDE RAILS	E		Rails	2 Pcs	

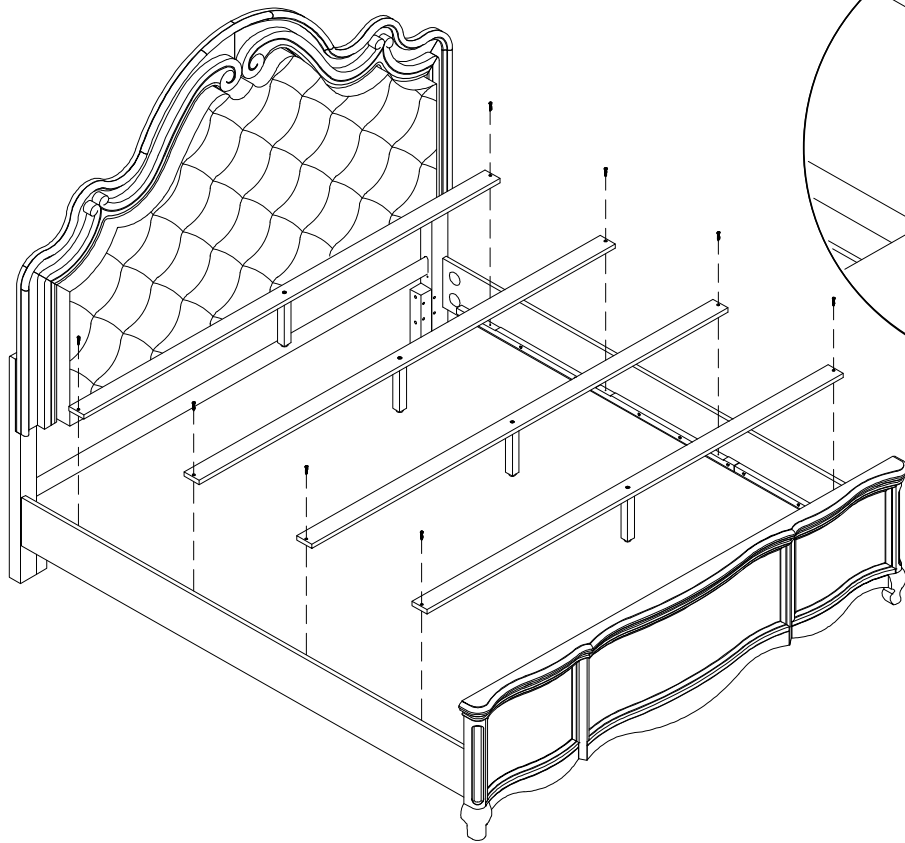
STEP 1



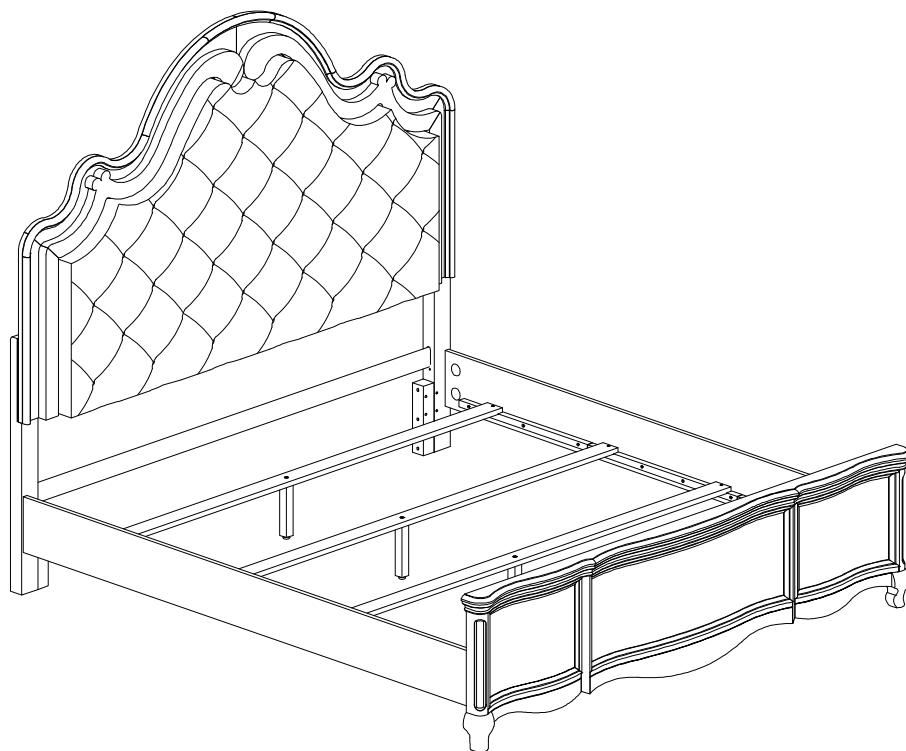
STEP 2



STEP 3



ASSEMBLY COMPLETE



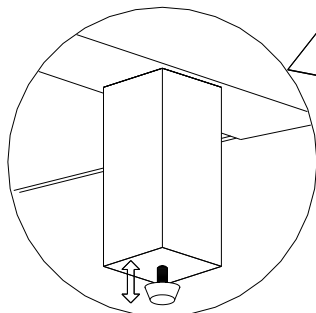
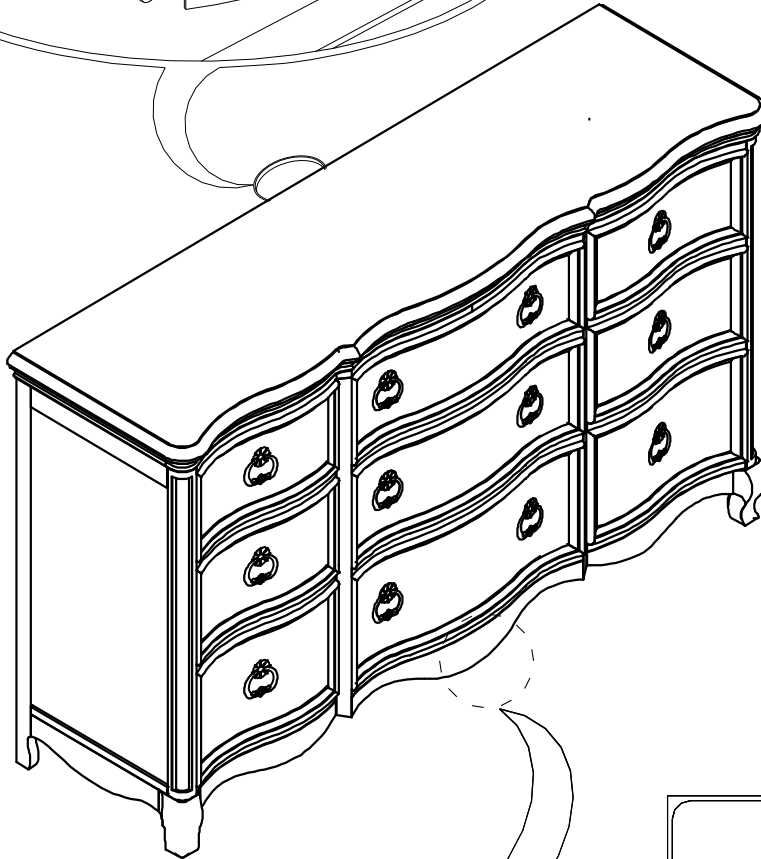
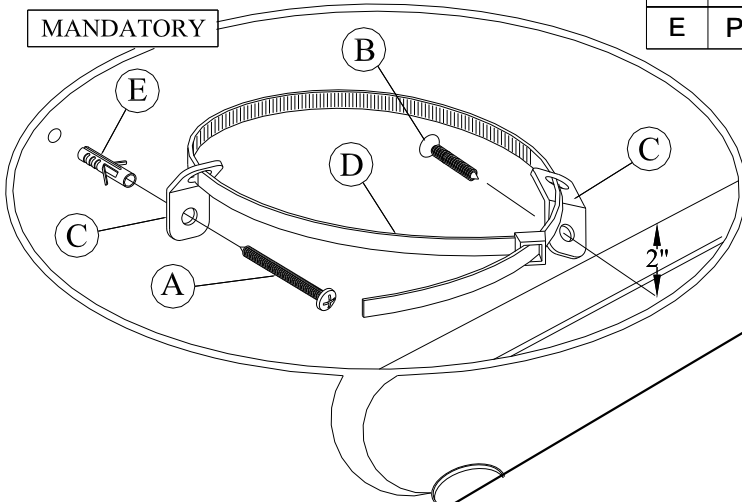
ASSEMBLY INSTRUCTIONS

DRESSER

BEFORE YOU START ASSEMBLING ,
PLEASE MAKE SURE ALL PARTS & HARDWARE ARE INCLUDE IN BOX :

NO	PARTS	QTY
1	DRESSER	1 PC

NO	HARDWARE	QTY
A	SCREW Ø8 x 2"	1 PC
B	SCREW Ø8 x 5/8"	1 PC
C	BRACKET	2 PCS
D	RESTRAIN STRAP	1 PC
E	PLASTIC ANCHOR	1 PC



▲ WARNING

Serious or fatal crushing injuries can occur from furniture tipover. To help prevent tipover:

- Install tipover restraint provided.
- Place heaviest items in the lowest drawers.
- Unless specifically designed to accommodate, do not set TV's or other heavy objects on top of this product.
- Never allow children to climb or hang on drawers, doors, or shelves.
- Never open more than one drawer at a time.
- (OR)
- Do not defeat or remove the drawer interlock system

Use of tipover restraints may only reduce, but not eliminate, the risk of tipover.

This is a permanent label. Do not remove!

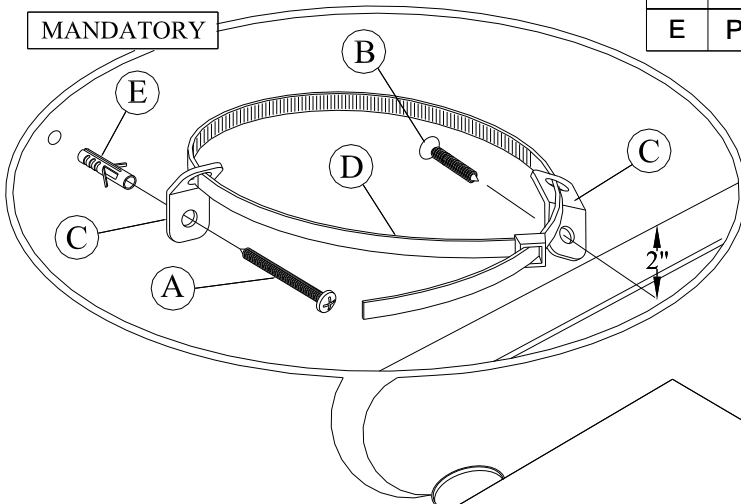
ASSEMBLY INSTRUCTIONS

DRAWER CHEST

BEFORE YOU START ASSEMBLING ,
PLEASE MAKE SURE ALL PARTS & HARDWARE ARE INCLUDE IN BOX :

NO	PARTS	QTY
1	5 DRAWER CHEST	1 PC

NO	HARDWARE	QTY
A	SCREW $\varnothing 8 \times 2''$	1 PC
B	SCREW $\varnothing 8 \times 5/8''$	1 PC
C	BRACKET	2 PCS
D	RESTRAIN STRAP	1 PC
E	PLASTIC ANCHOR	1 PC



WARNING

Serious or fatal crushing injuries can occur from furniture tipover. To help prevent tipover:

- Install tipover restraint provided.
- Place heaviest items in the lowest drawers.
- Unless specifically designed to accommodate, do not set TV's or other heavy objects on top of this product.
- Never allow children to climb or hang on drawers, doors, or shelves.
- Never open more than one drawer at a time.
- (OR)
- Do not defeat or remove the drawer interlock system

Use of tipover restraints may only reduce, but not eliminate, the risk of tipover.

This is a permanent label. Do not remove!