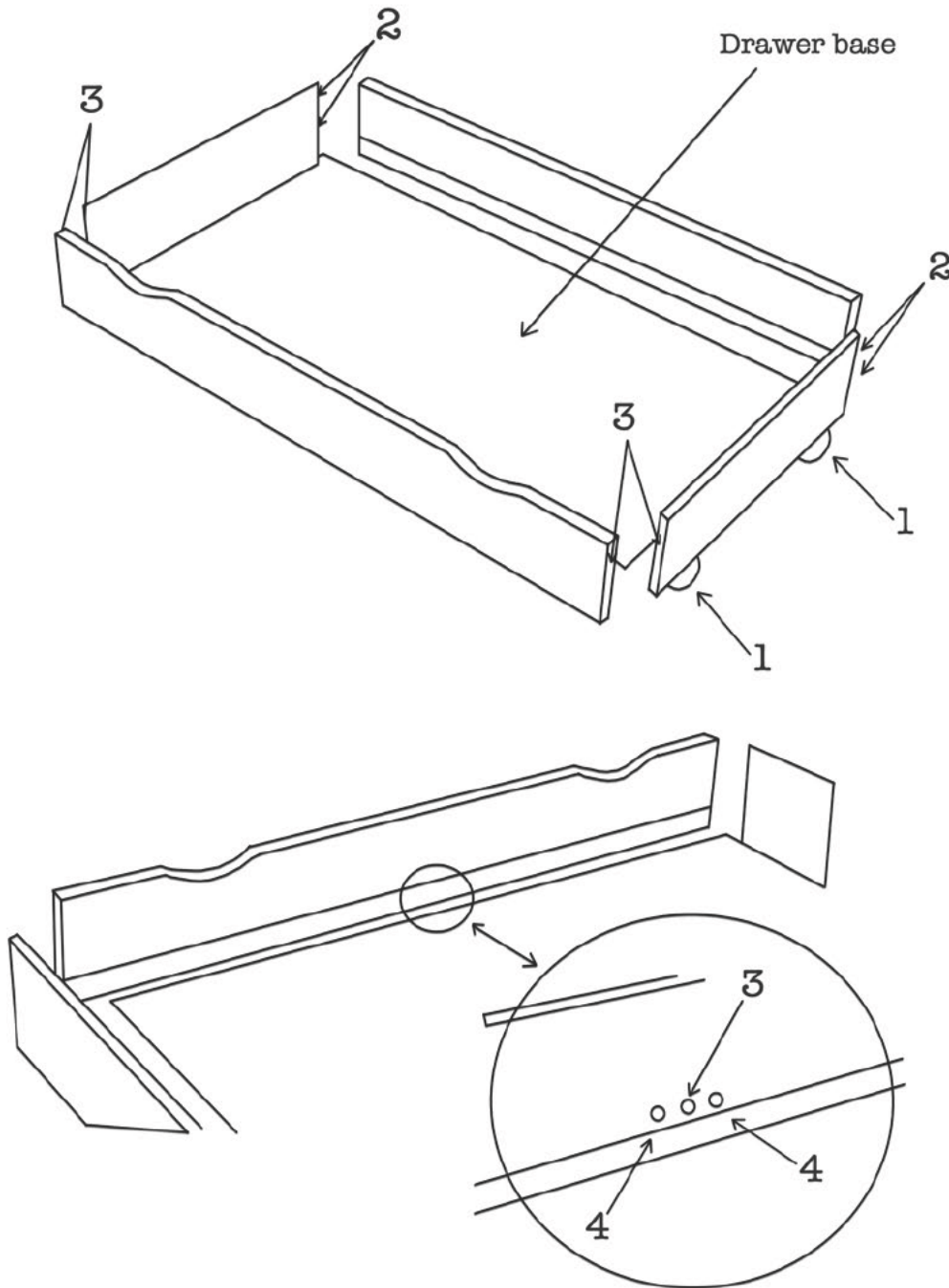


# Drawer assembly guide



1 - Castors 4 pcs. + Screws 8 pcs



2 - Confrat screws 4 pcs



3 - Bolt + connector 6 pcs



4 - Corrugated wooden dowel 4 pcs.

