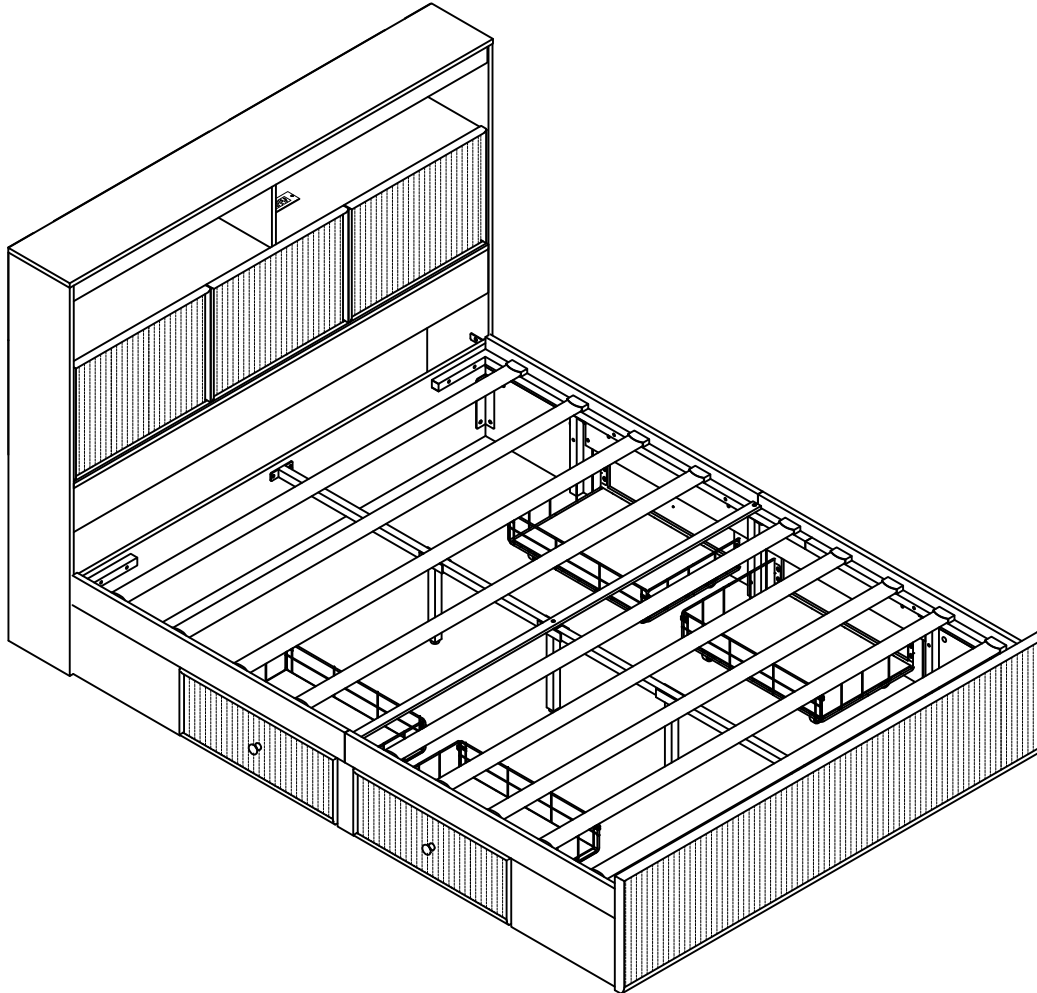
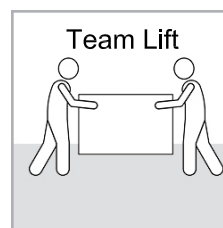


ASSEMBLY INSTRUCTIONS

ITEM:LDBL60Q



LDBL60Q

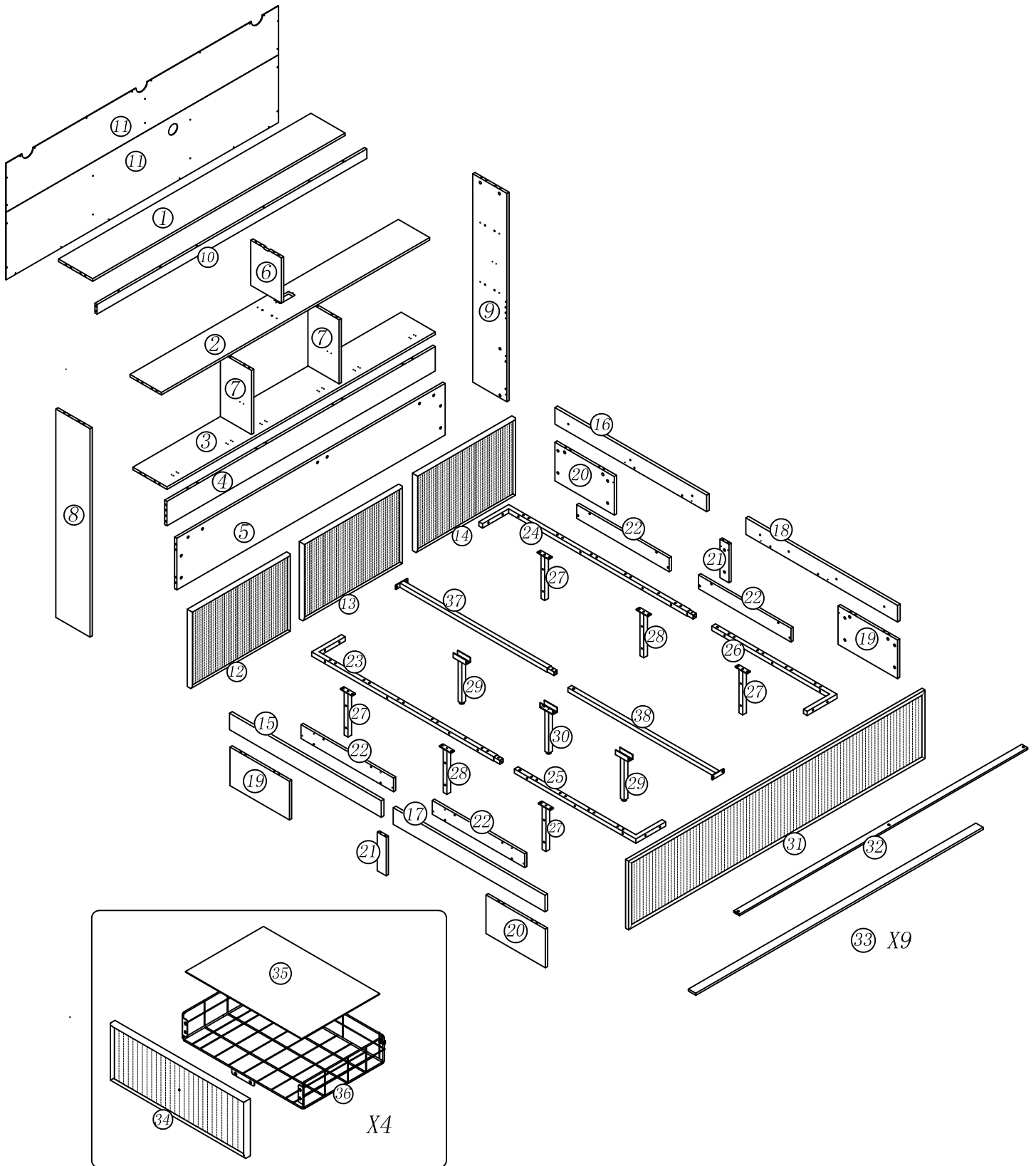


Please scan this QR code and contact us if you have any questions! If your products has damages, missing parts, problems with installation and use, or you are not 100% satisfied with our products, please scan the QR code and contact us!

Email:vimity-service@outlook.com


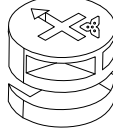


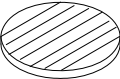
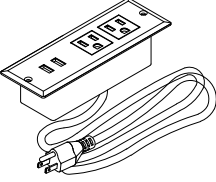

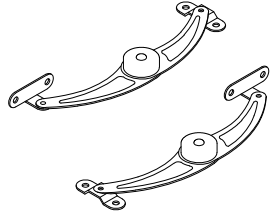


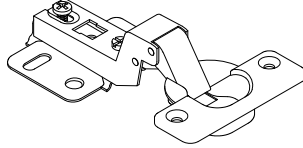

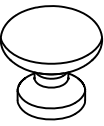
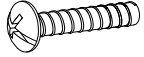

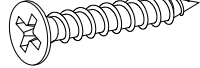
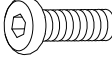
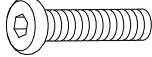
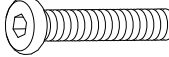

SUPPORT: +18882062161

PACKAGE INCLUDE



SUPPORT: +18882062161

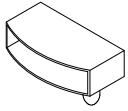
PACKAGE CONTENT

<p>Ø6x35MM</p>  <p>(A) 50x+2</p>	<p>Ø15x11MM</p>  <p>(B) 50x+2</p>	<p>Ø8x30MM</p>  <p>(C) 52x+2</p>	<p>Ø8x20MM</p>  <p>(D) 8x+1</p>
<p>Ø25MM</p>  <p>(E) 21x+2</p>	 <p>(F) 1x</p>	<p>Ø3x12MM</p>  <p>(G) 2x</p>	 <p>(H) 3x</p>
<p>Ø3x12MM</p>  <p>(J) 24x+2</p>	<p>Ø10x2MM</p>  <p>(K) 6x</p>	<p>Ø35MM</p>  <p>(L) 6x</p>	<p>Ø3.5x14MM</p>  <p>(M) 36x+2</p>
<p>Ø24x21MM</p>  <p>(N) 4x</p>	<p>5/32"x13 MM</p>  <p>(O) 4x</p>	<p>Ø3x15MM</p>  <p>(P) 28x+2</p>	<p>Ø4x19MM</p>  <p>(Q) 16x+1</p>
<p>M6x12MM</p>  <p>(R) 70x+2</p>	<p>M6x35MM</p>  <p>(S) 34x+2</p>	<p>M6x45MM</p>  <p>(U) 3x</p>	<p>4MM</p>  <p>(V) 1x</p>

SUPPORT: +18882062161

PACKAGE CONTENT

56*30*30MM



W

18x+1

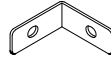
160*35*35*2MM



X

4x

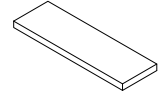
50*35*35*2MM



Y

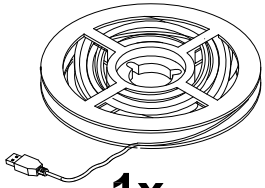
4x

48*15*3MM



Z

20x+2

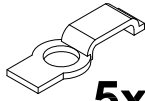


1x



1x

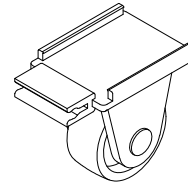
AA



5x



5x

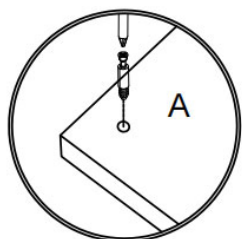


AB

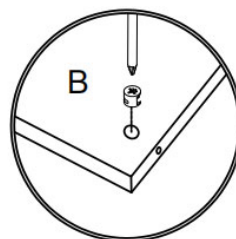
16x

SUPPORT: +18882062161

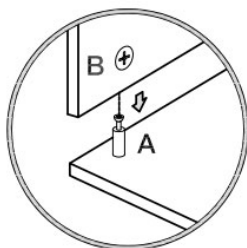
How to use the cam lock system



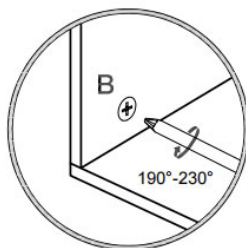
1. Screw cam bolt into panel



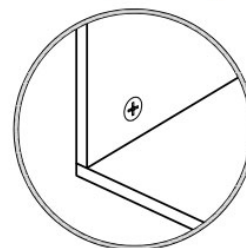
2. Push cam into panel - arrow feature on cam top points to panel edge



3. Align cam bolt(s) with cam(s) and insert all the way into cross-bored hole(s)

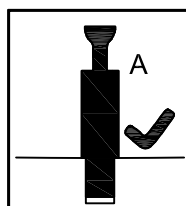
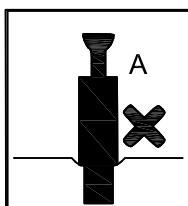
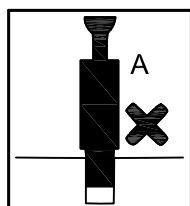
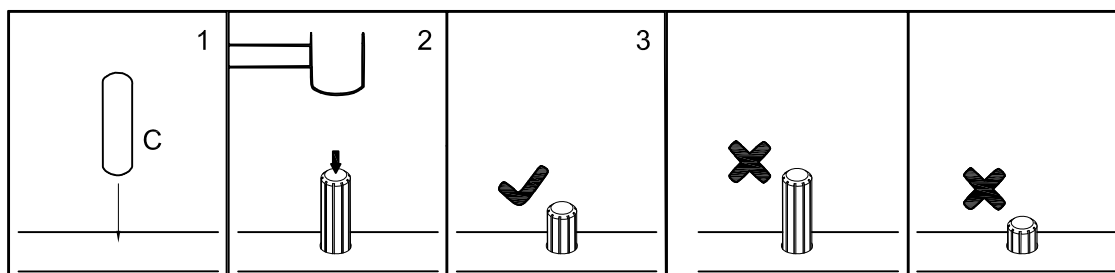


4. Rotate cam(s) clockwise 190°-230° to lock panels together



5. Panels should be tight against each other and connection should be rigid

Insert the wood dowel (C) at least half way by tapping lightly with a rubber mallet, IT NECESSARY.

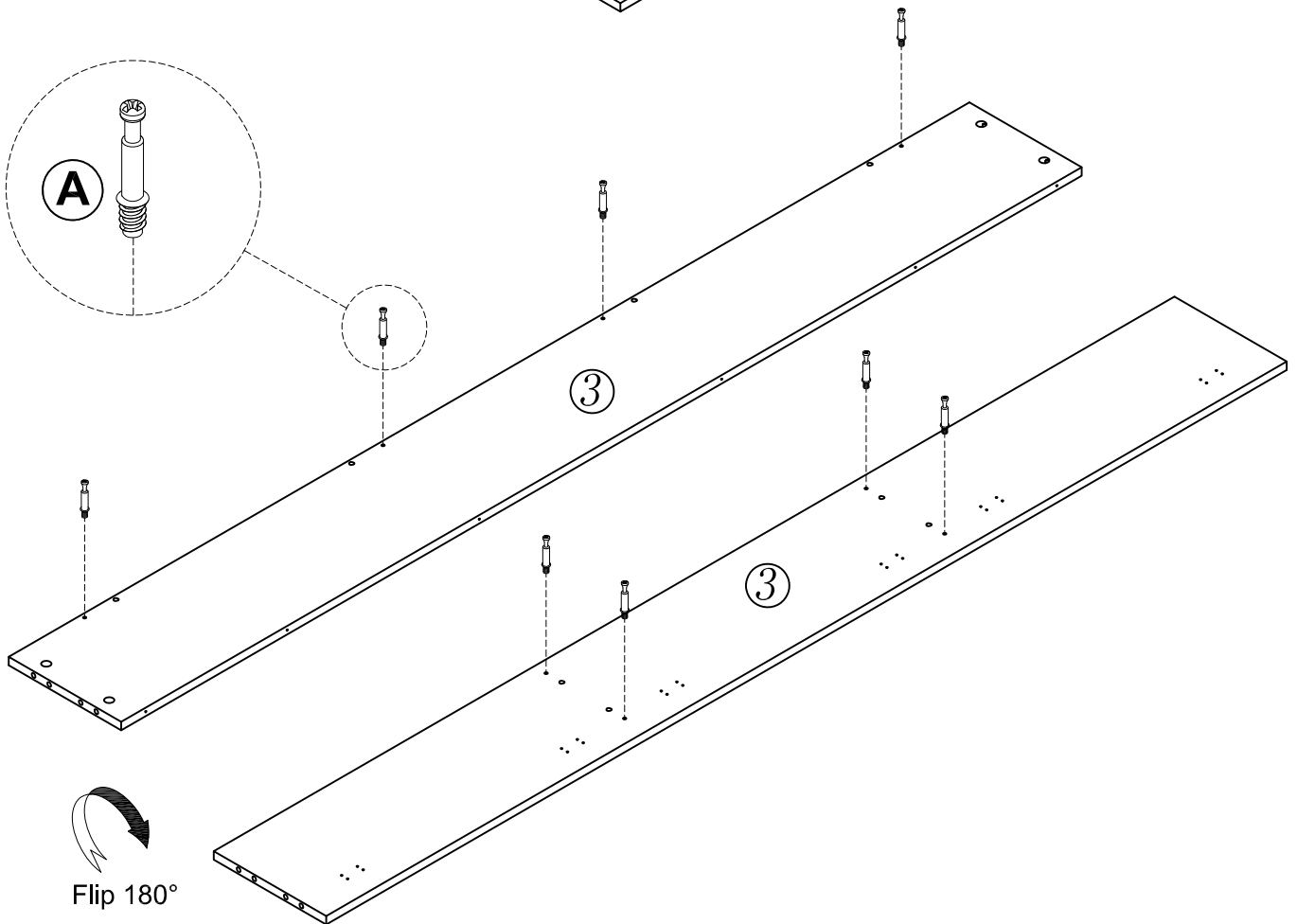
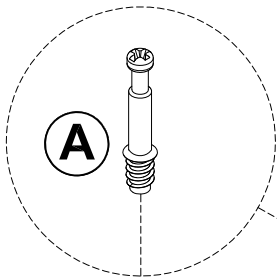
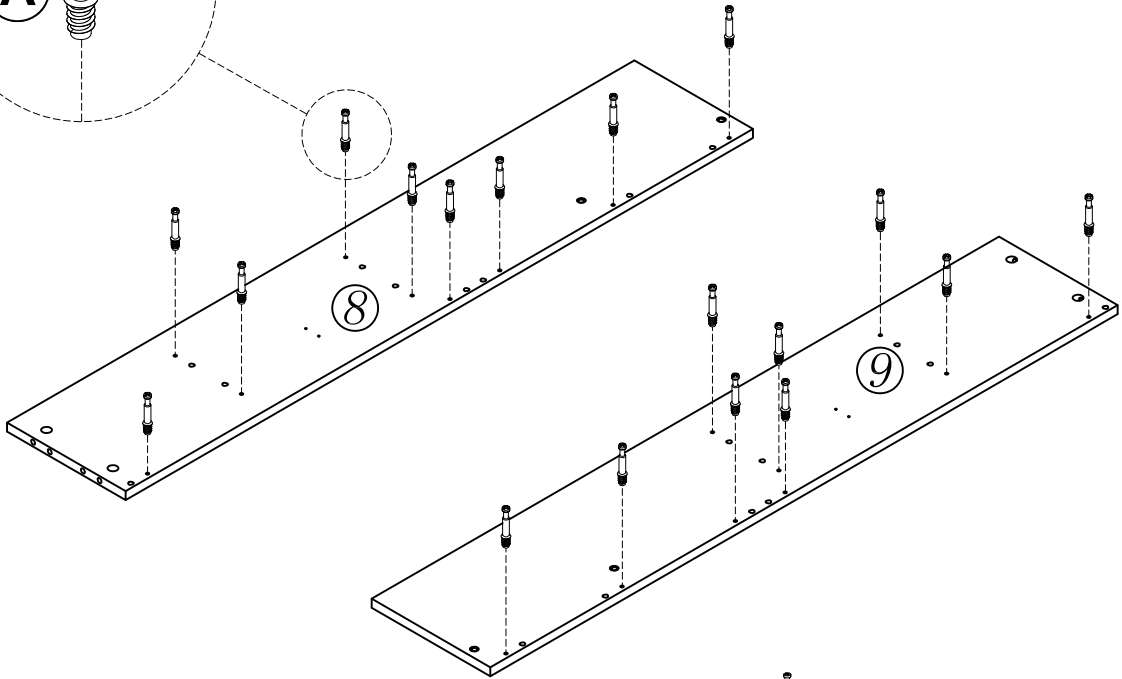
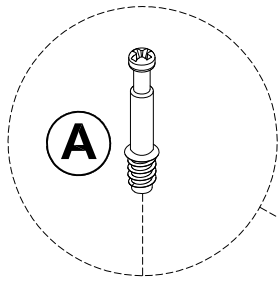
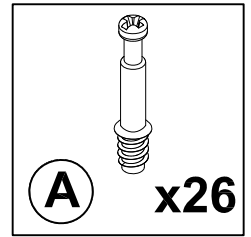


WARNING

- Unit must be placed on a level surface or leveled with included hardware (when applicable).
- Do not sit or stand on or allow children to climb, sit or stand on the assembled product.
- For safety reasons, it is imperative that this unit be mounted to the wall.
- Do not use without installing the tip restraint.
- Unit can tip over causing severe injury or death.
- Do not exceed the recommended weight limits.
- Evenly distribute the weight on each level and always keep the heavier loads on the bottom.
- Before cutting, drilling or hammering into any wall or floor surface, verify the location of electrical, plumbing and gas lines. Cutting may cause serious injury.

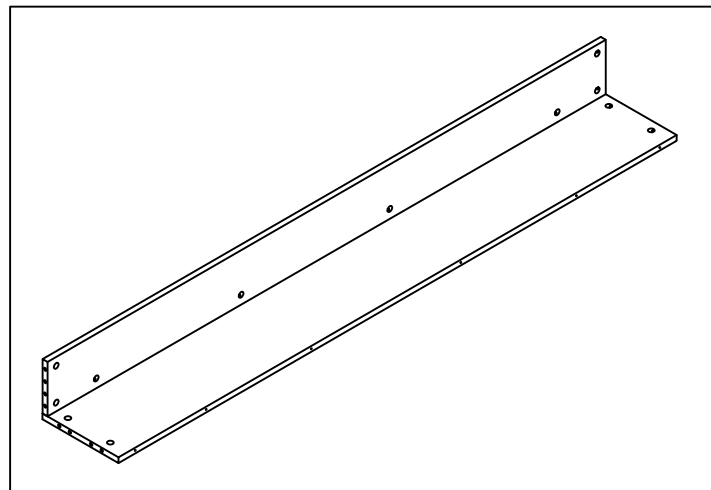
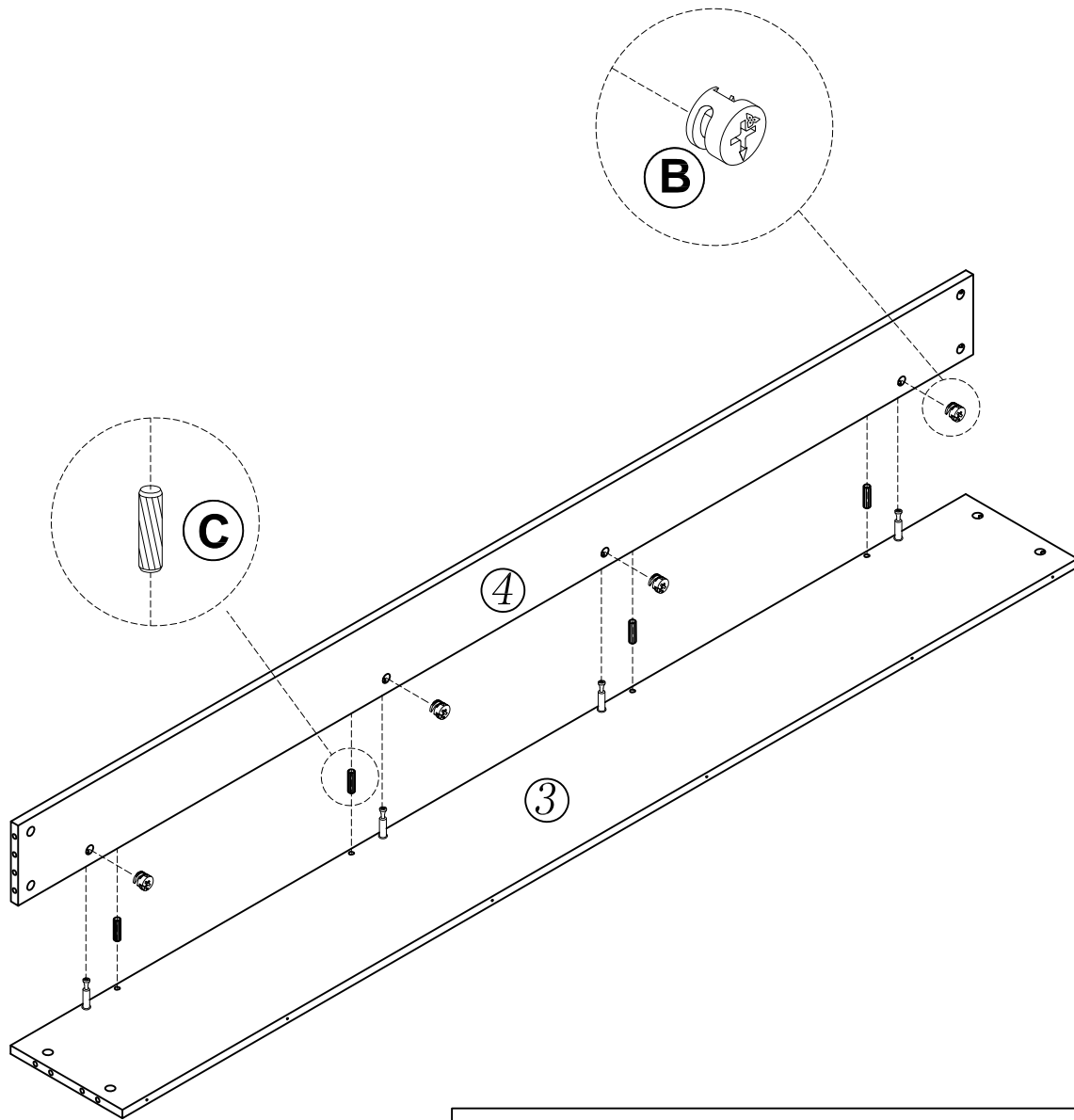
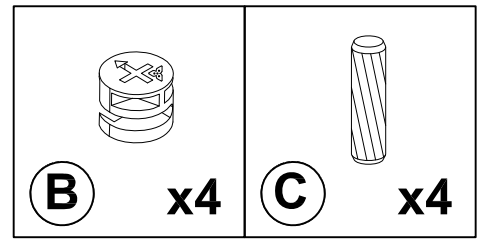
SUPPORT: +18882062161

STEP 1



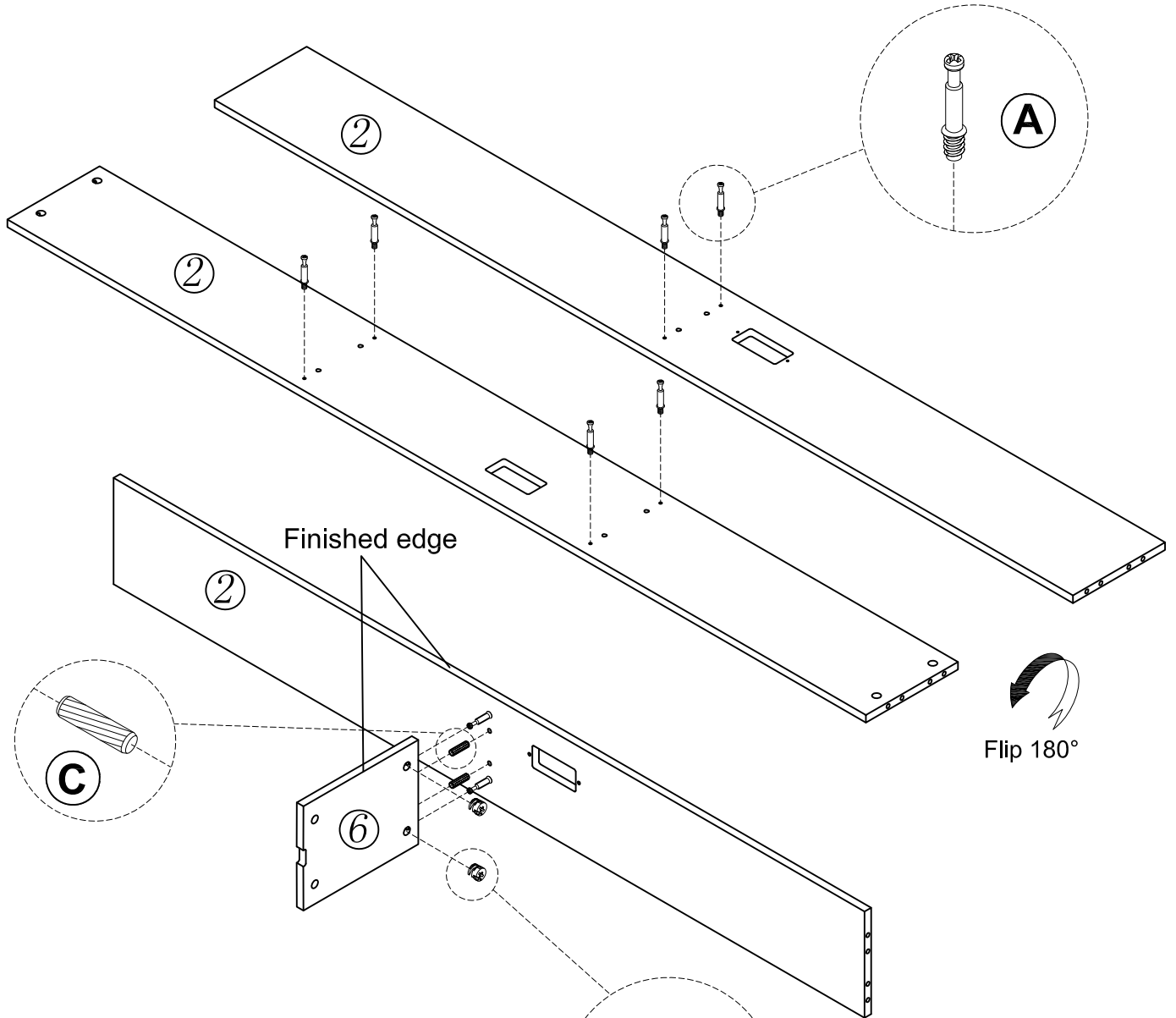
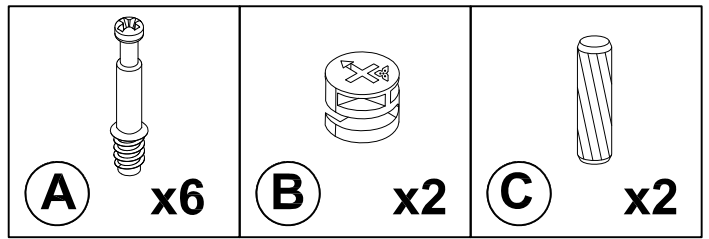
SUPPORT: +18882062161

STEP 2

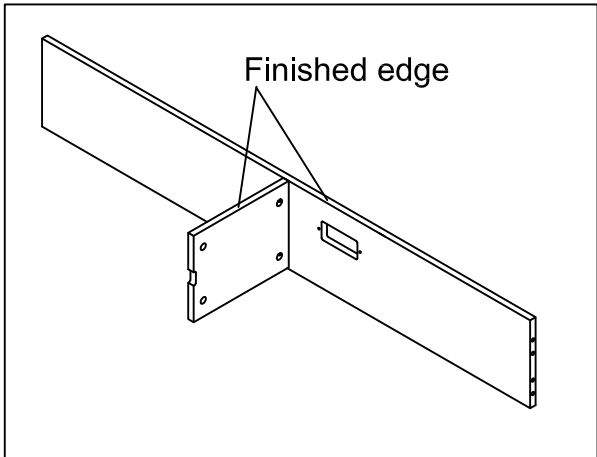


SUPPORT: +18882062161

STEP 3

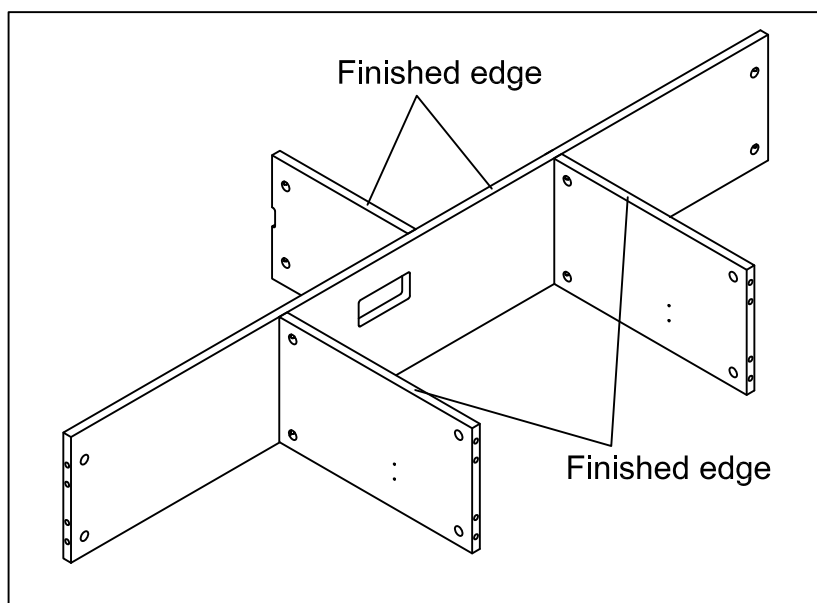
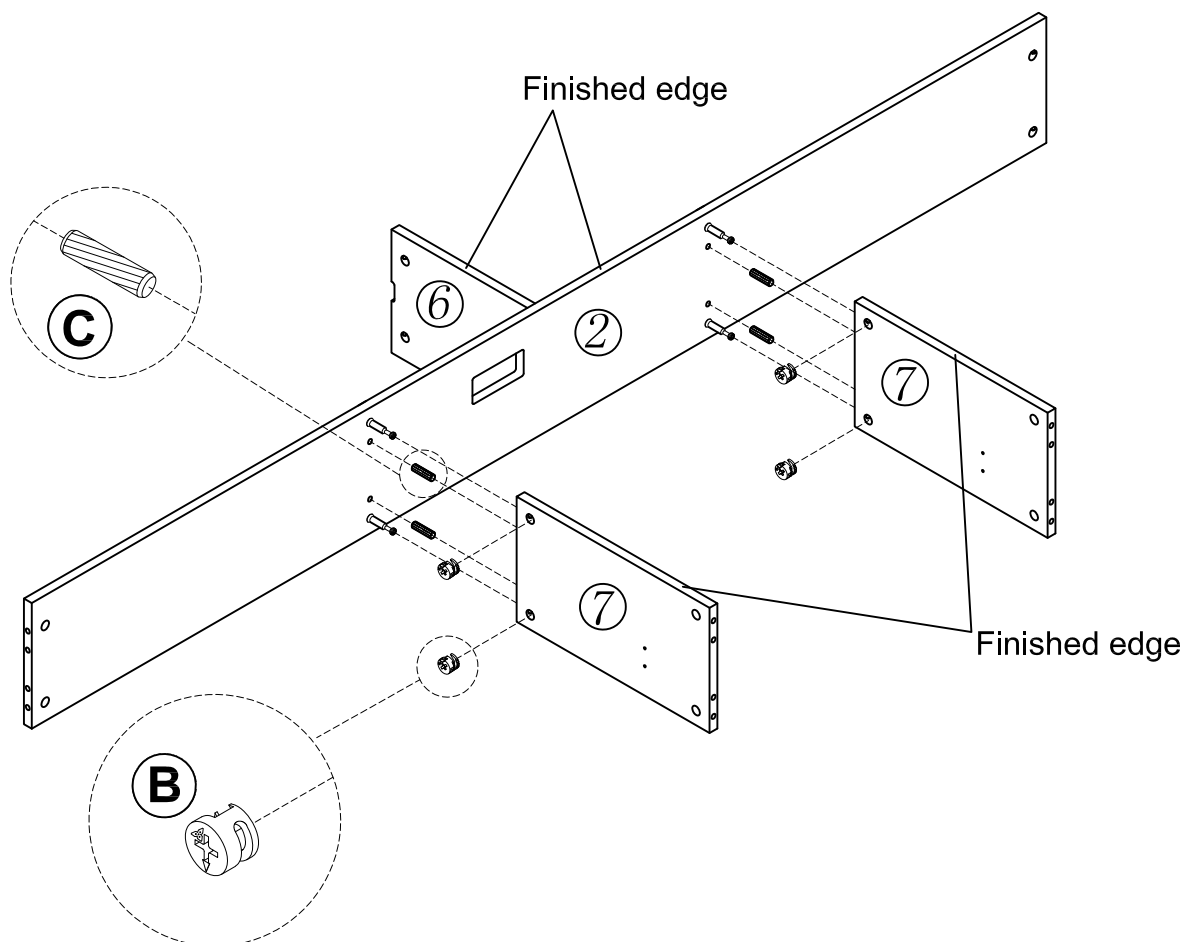
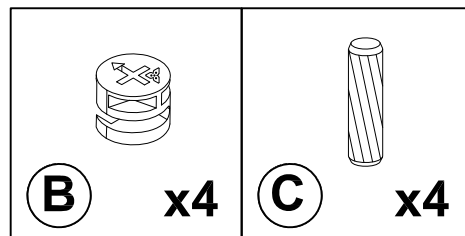


Flip 180°



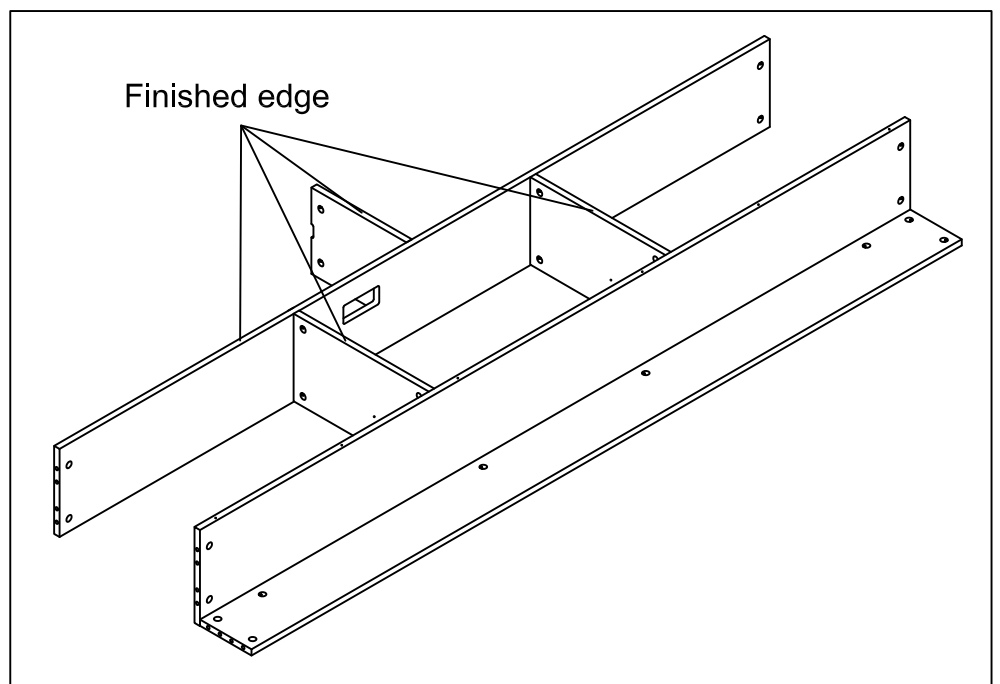
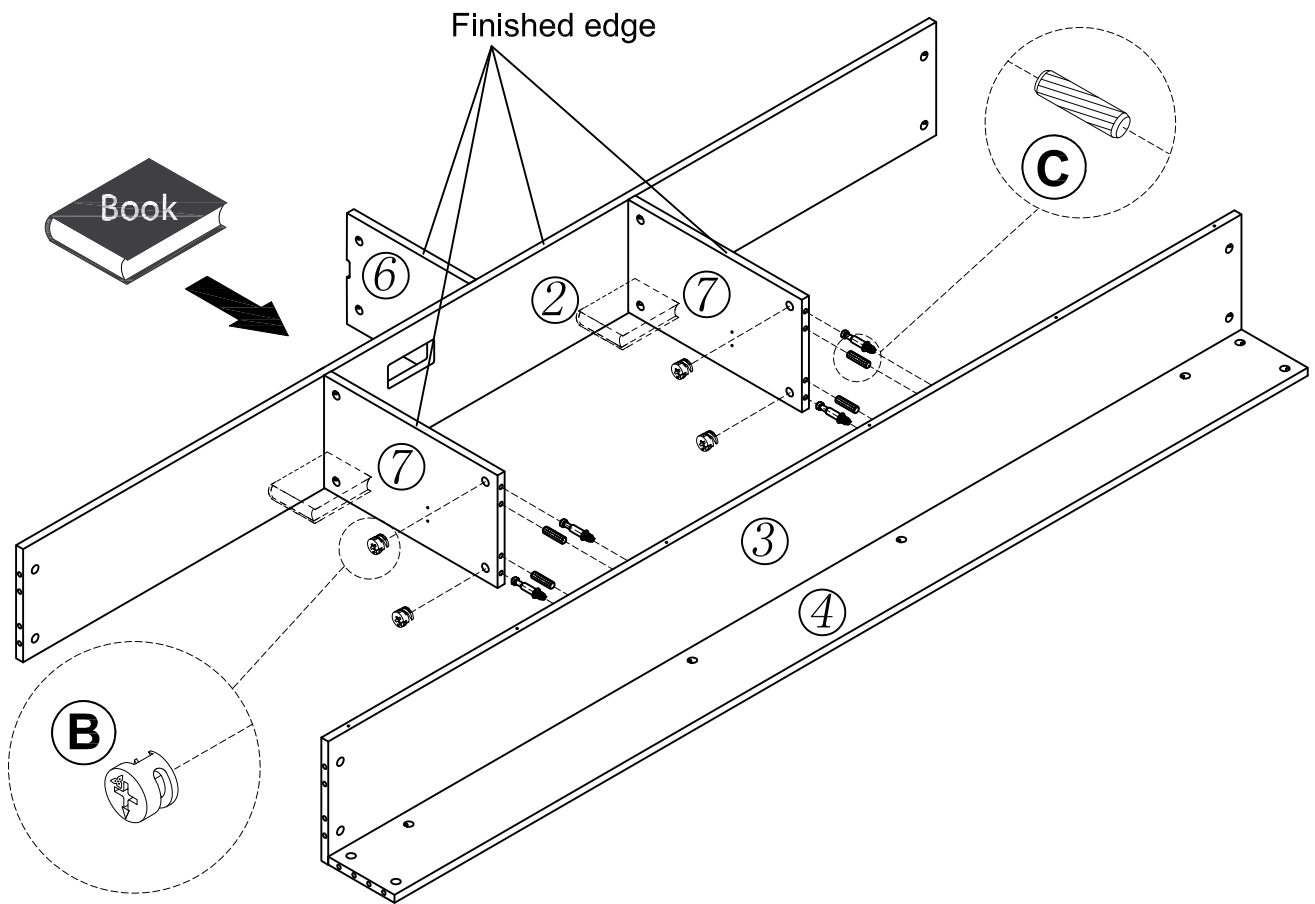
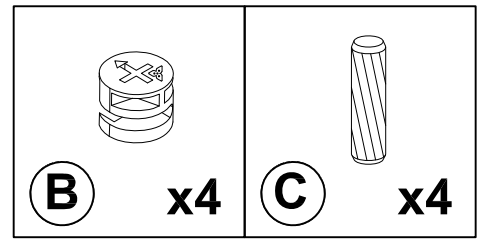
SUPPORT: +18882062161

STEP 4



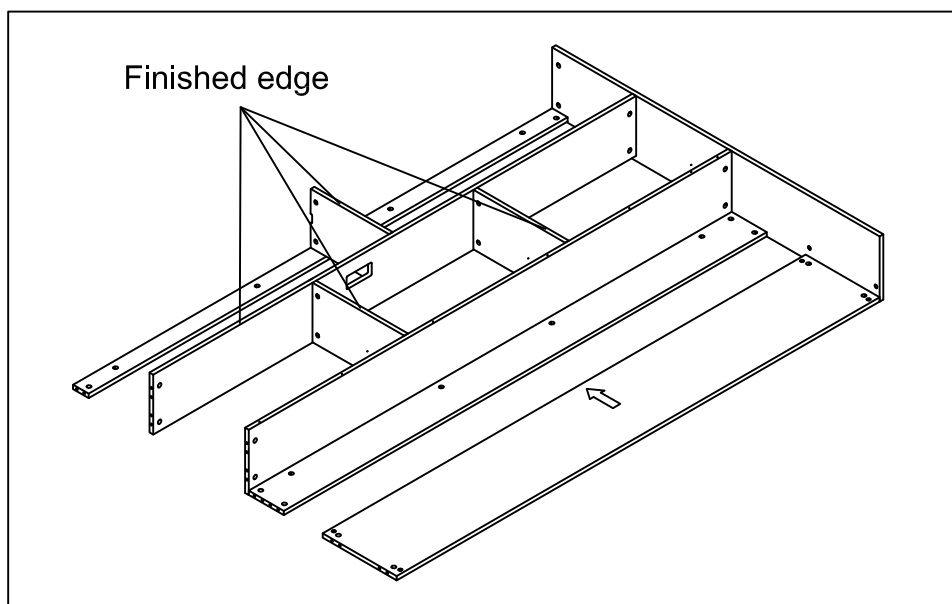
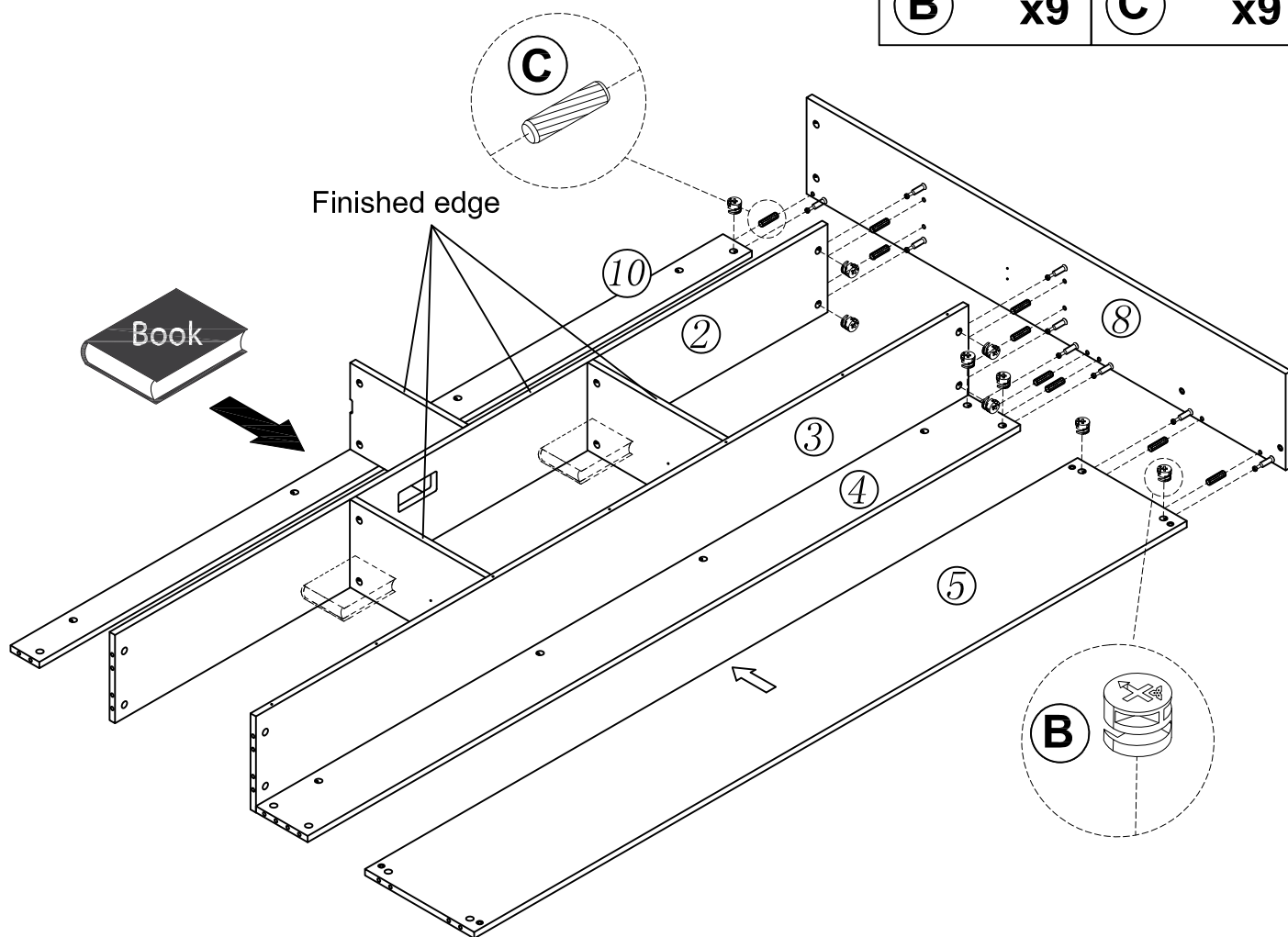
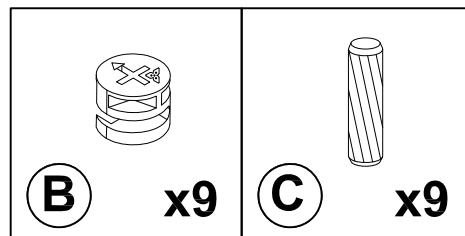
SUPPORT: +18882062161

STEP 5



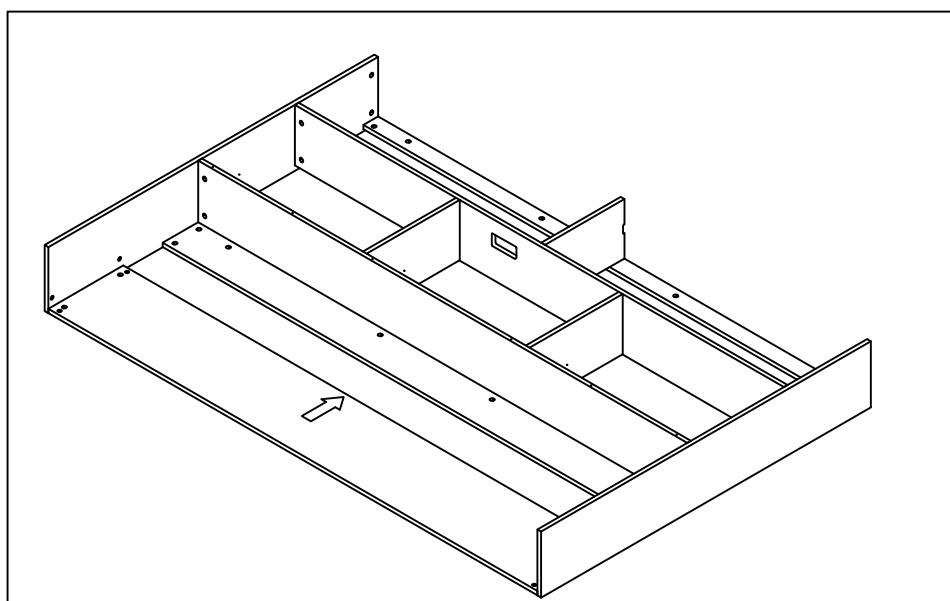
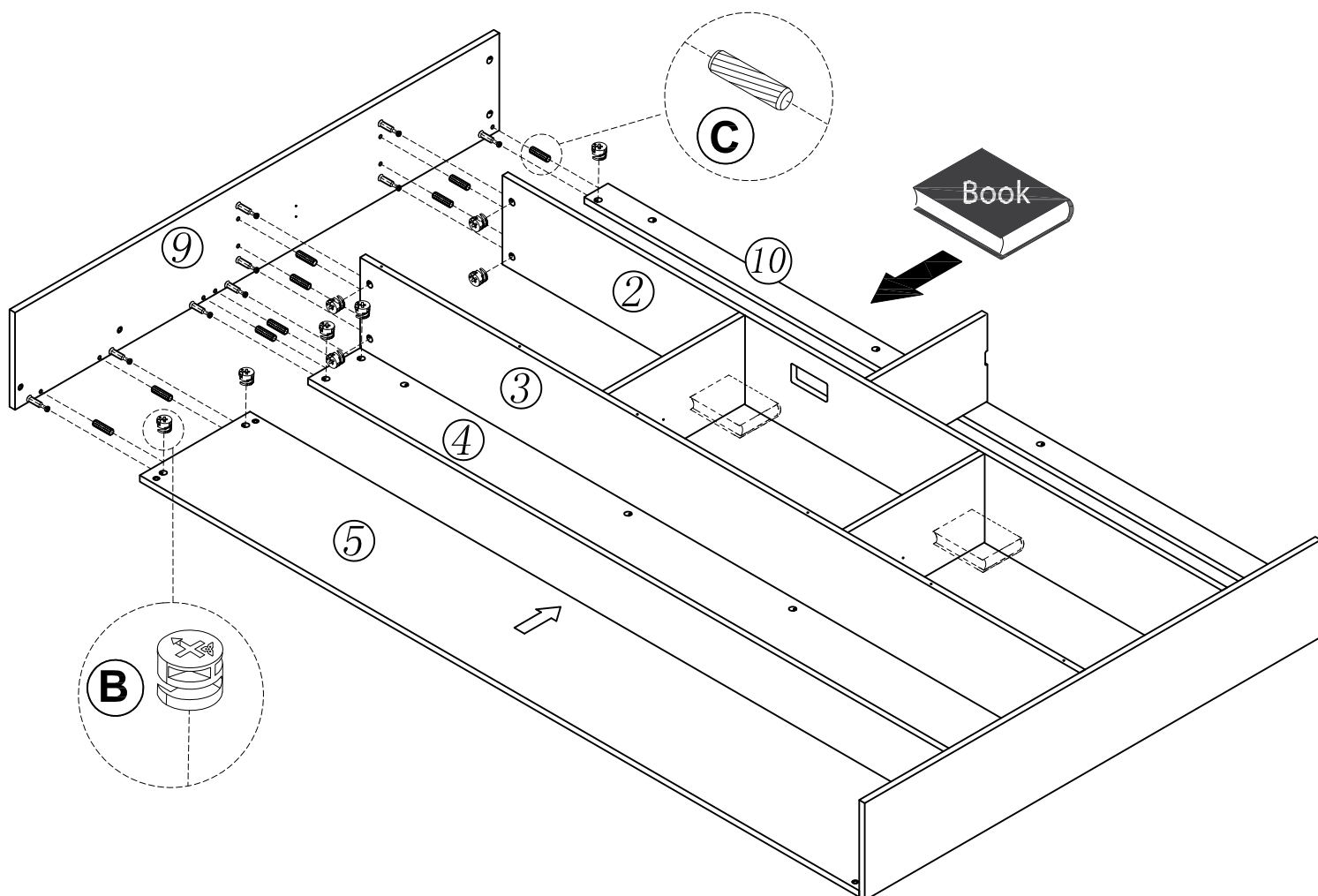
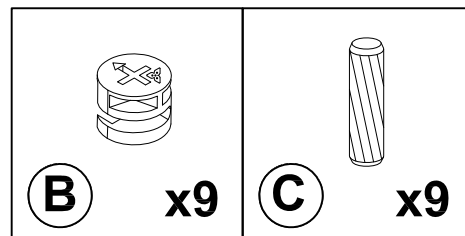
SUPPORT: +18882062161

STEP 6



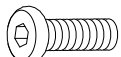
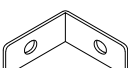

SUPPORT: +18882062161

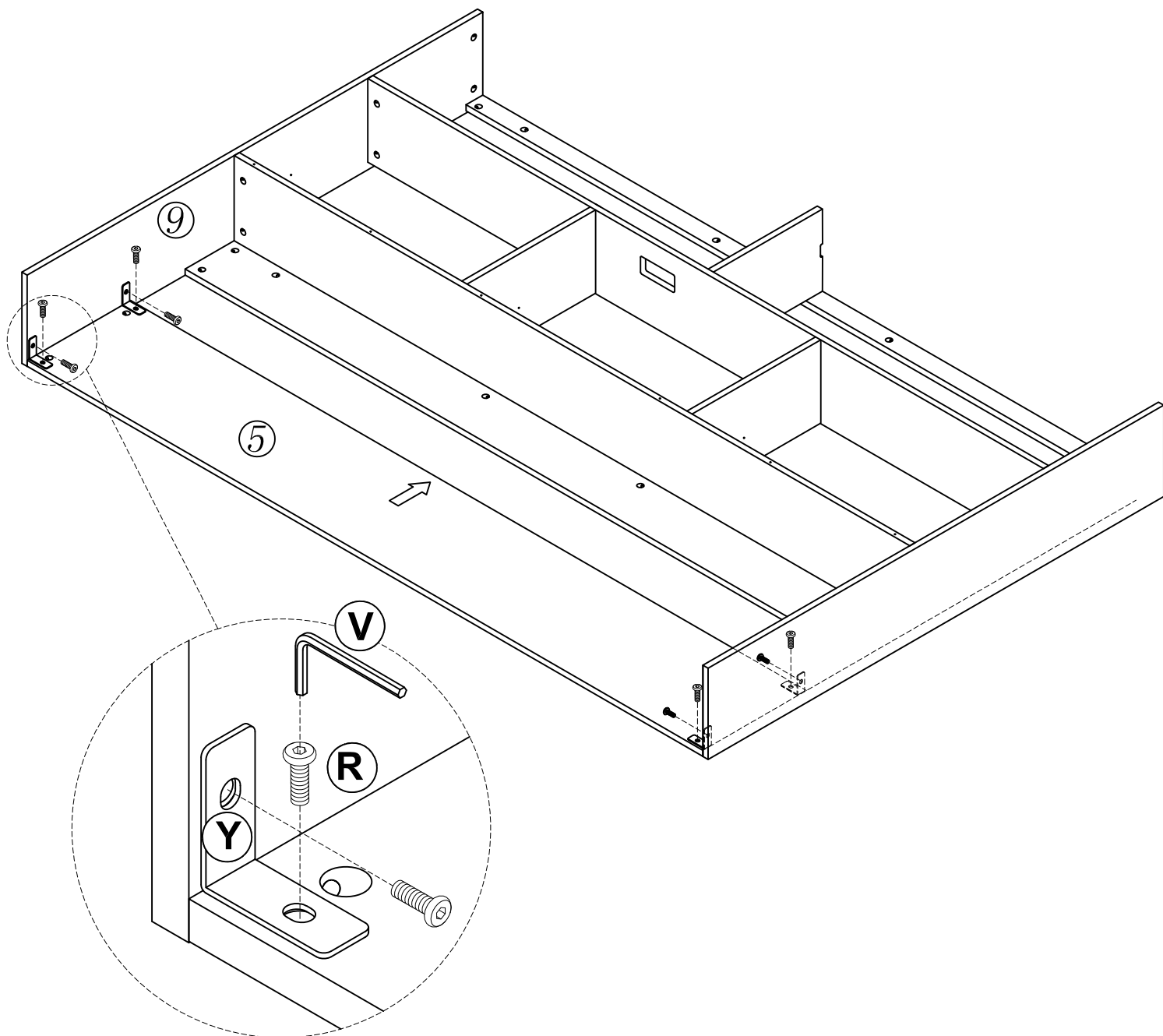
STEP 7



SUPPORT: +18882062161

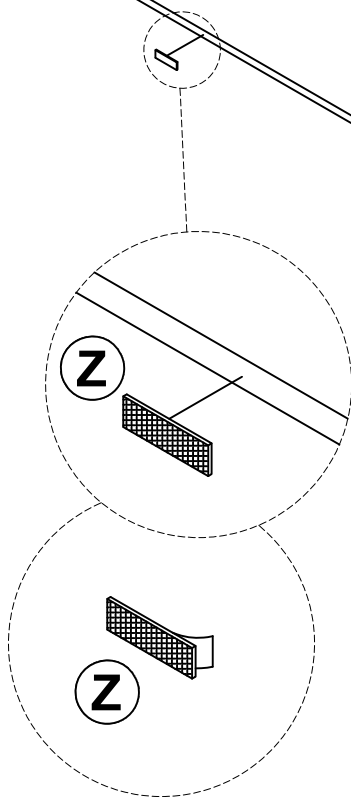
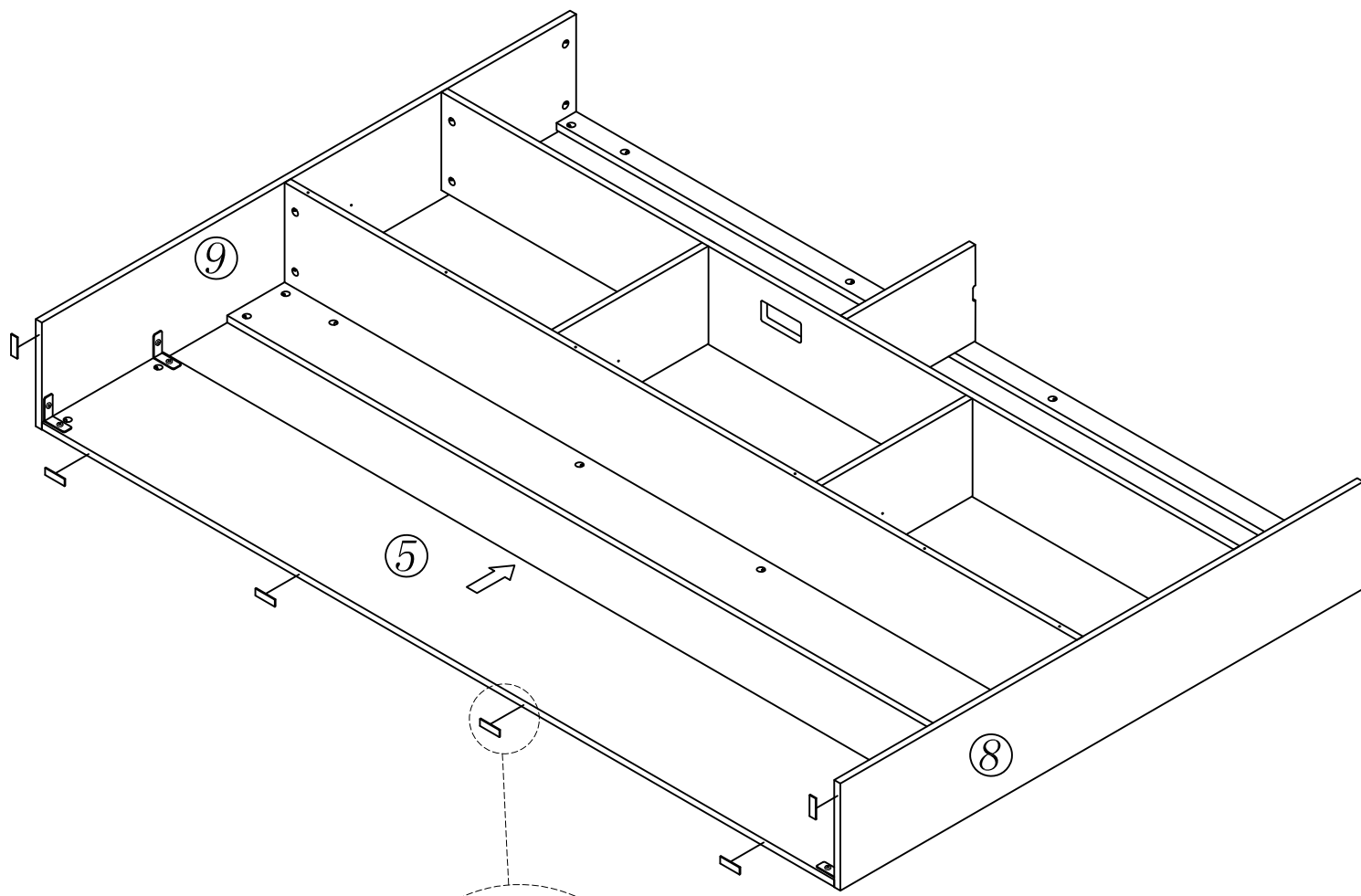
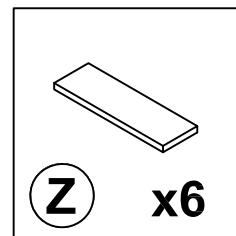
STEP 8

		
(R) x8	(Y) x4	(V) x1



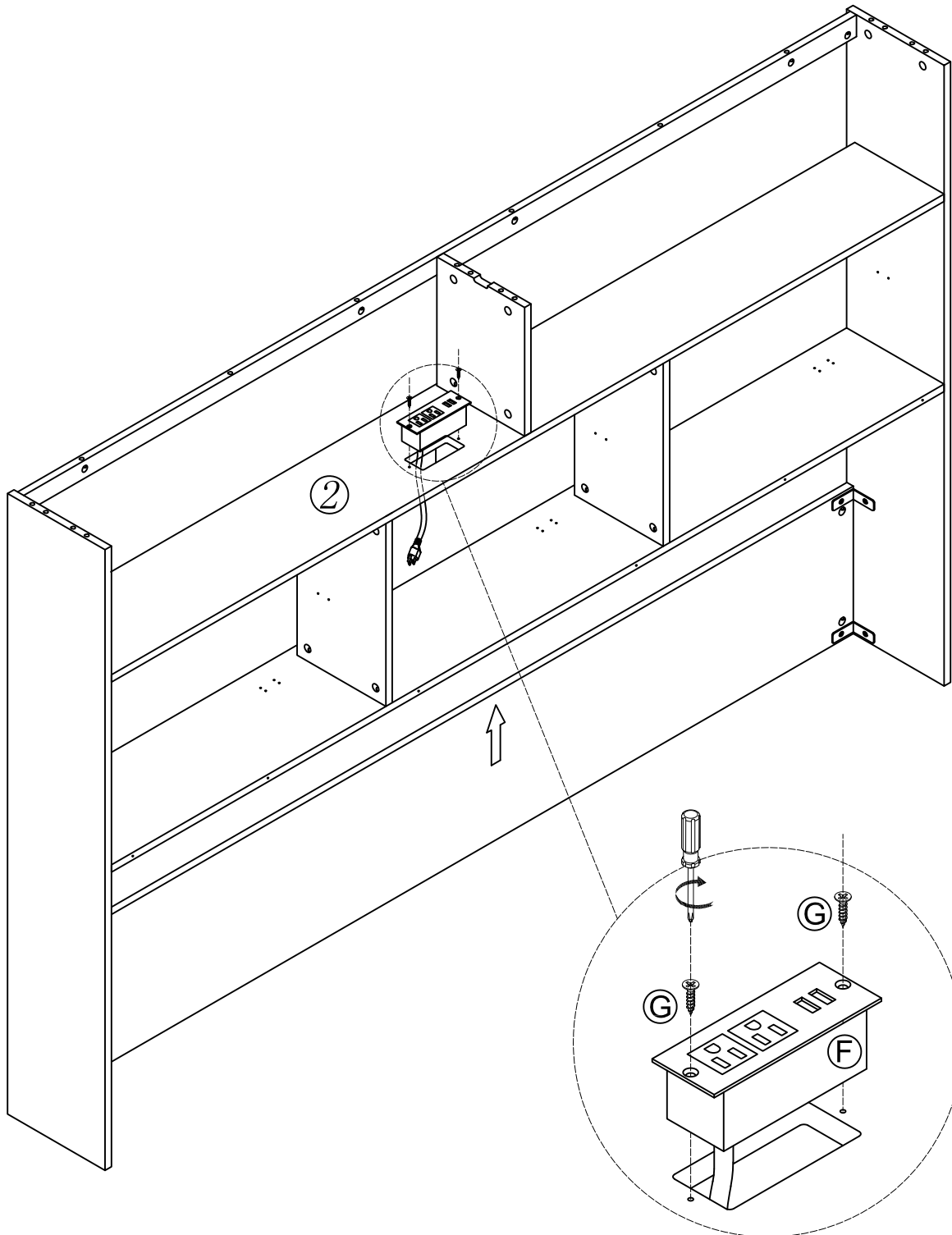
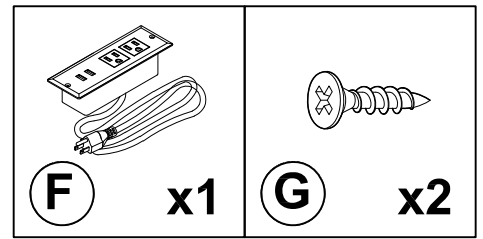
SUPPORT: +18882062161

STEP 9



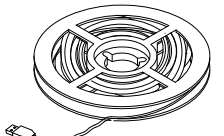
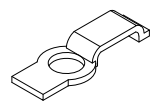

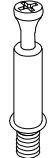
SUPPORT: +18882062161

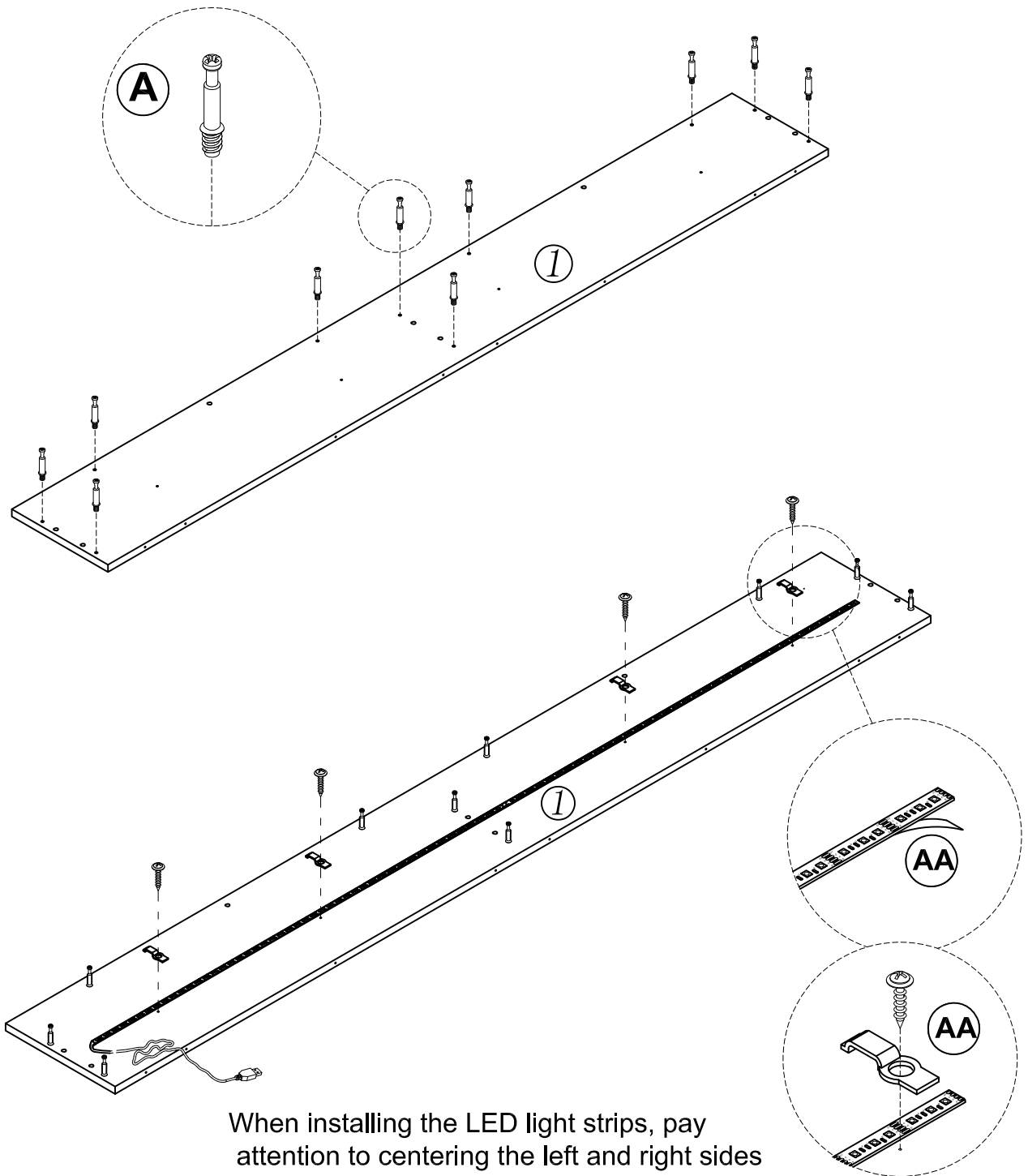
STEP 10



SUPPORT: +18882062161

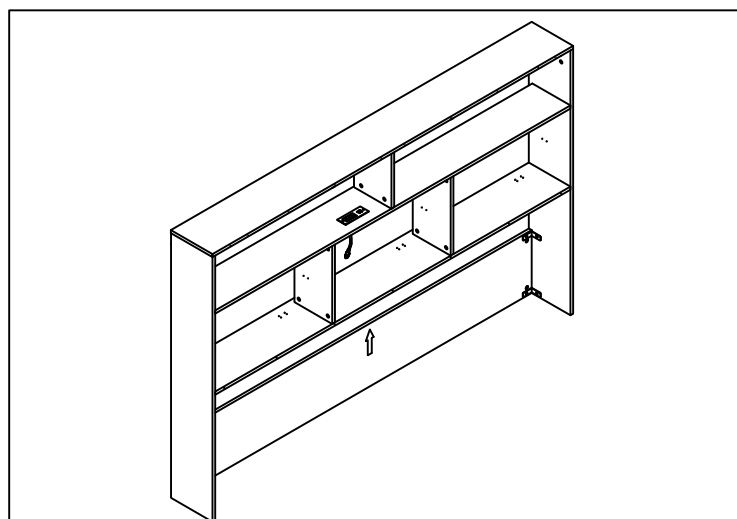
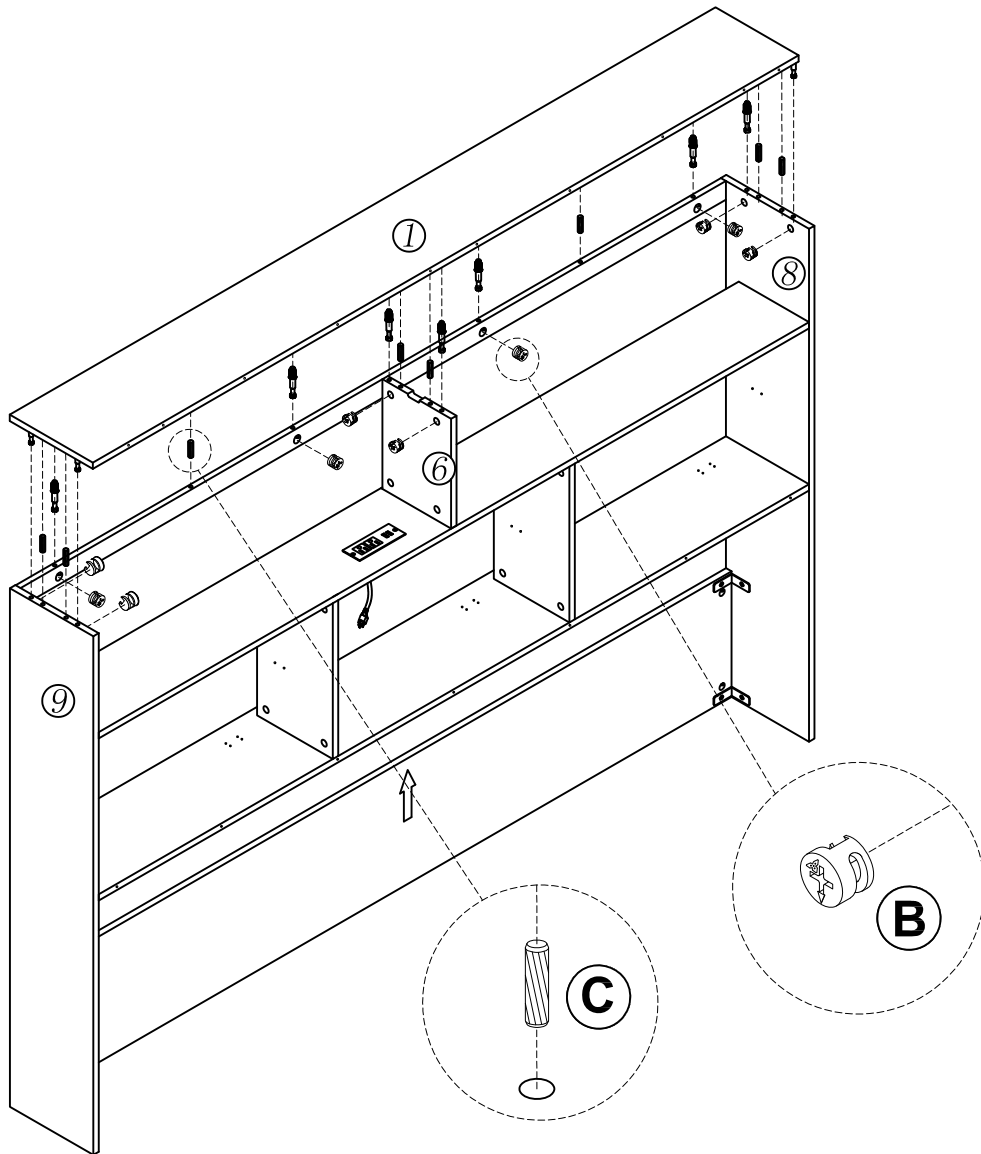
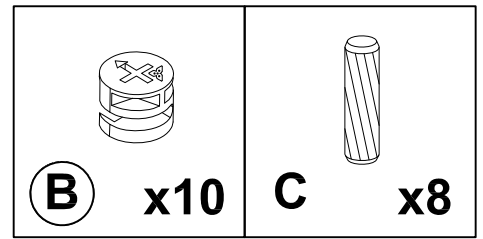
STEP 11

 1x	 4x	 x4	 (A) x10
(AA)			



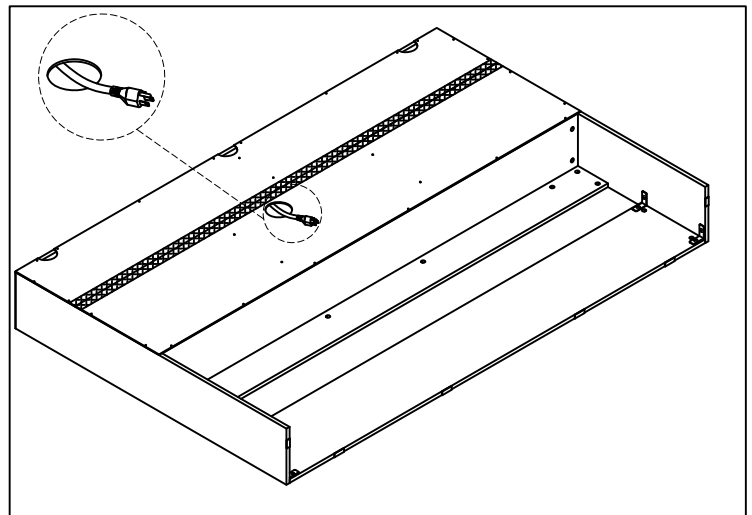
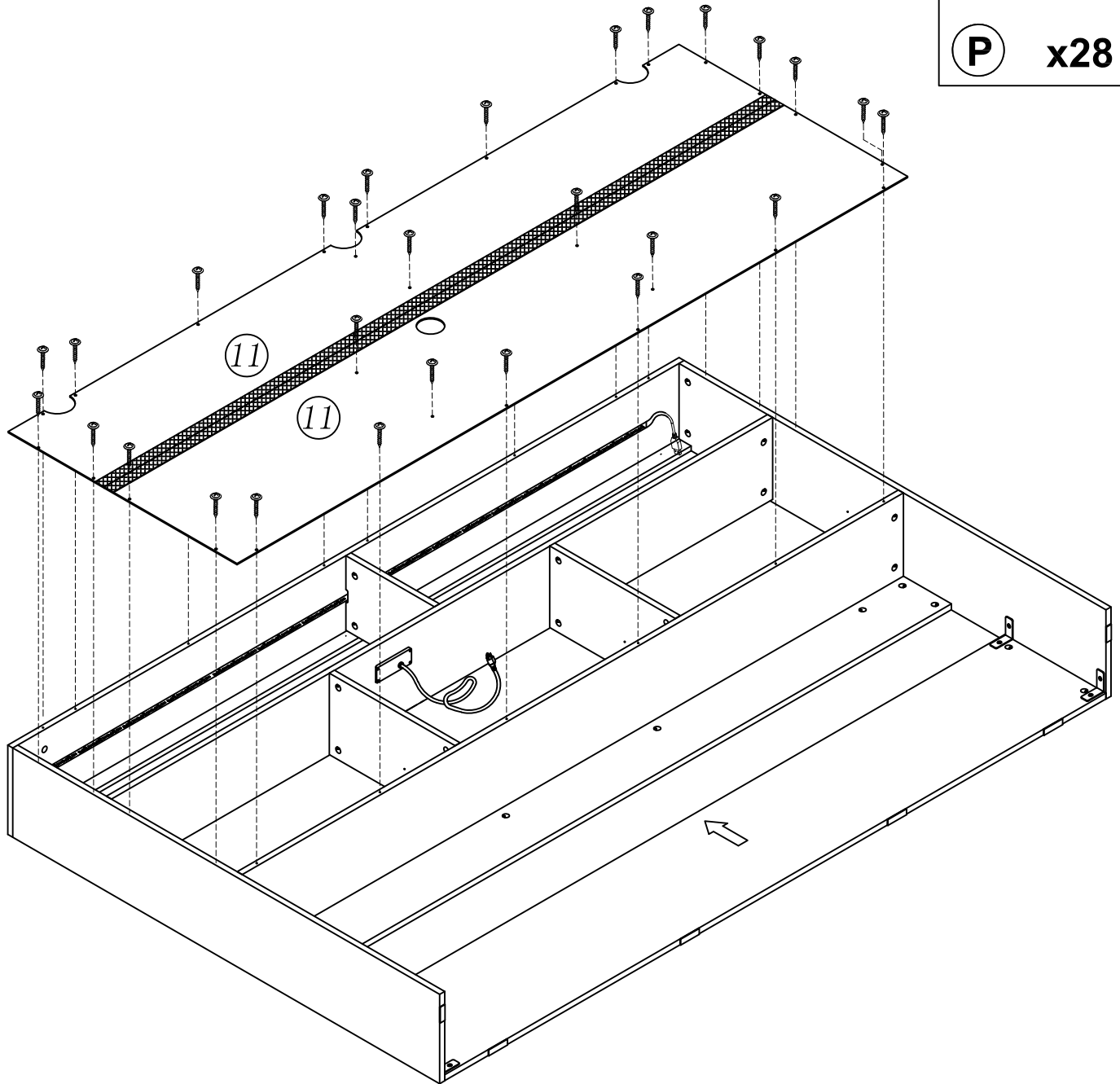
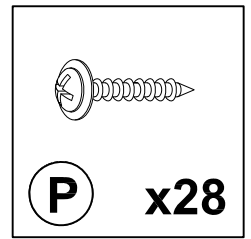
SUPPORT: +18882062161

STEP 12



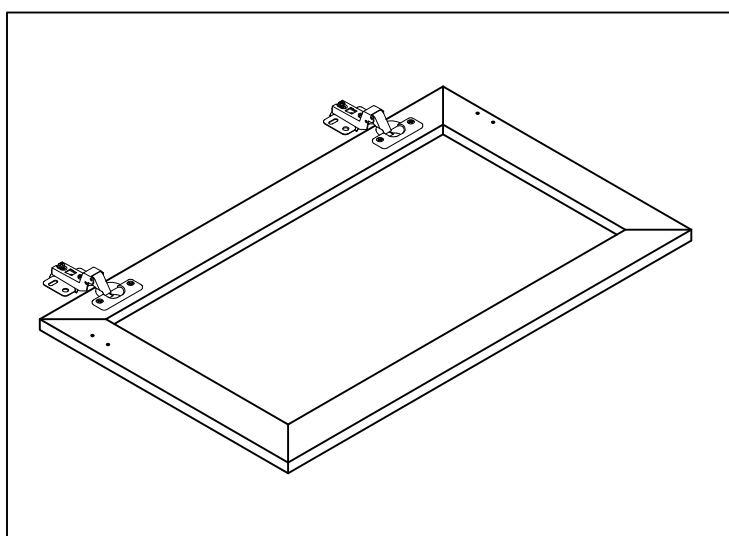
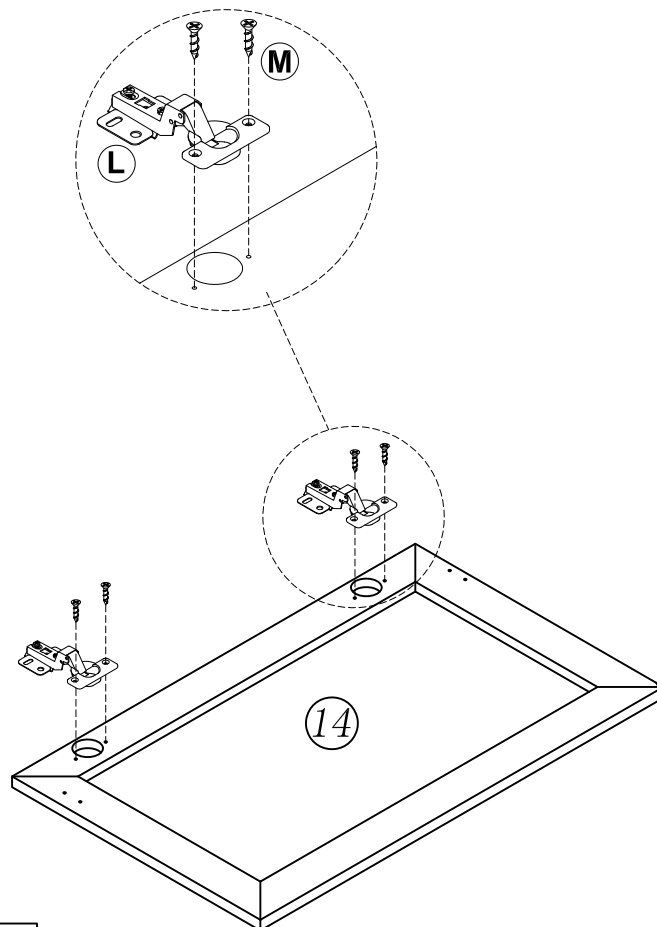
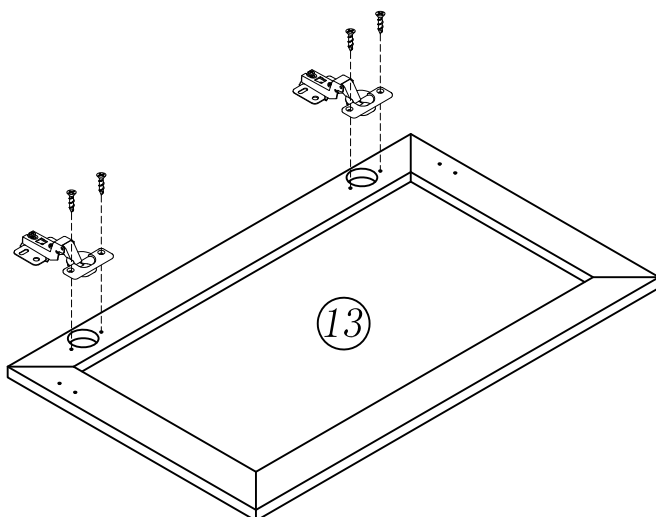
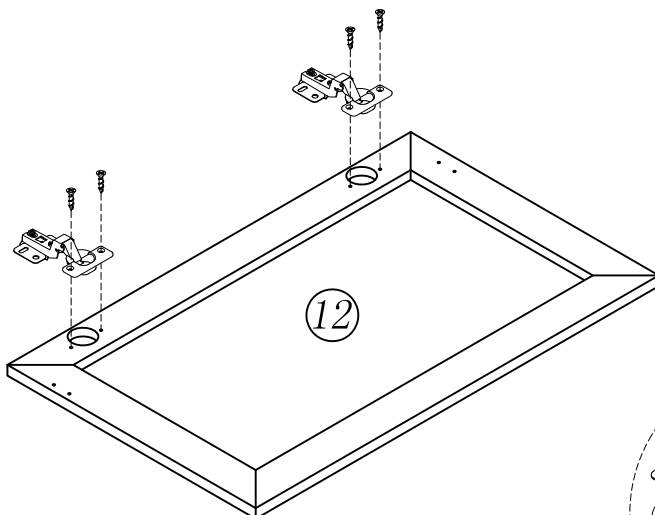
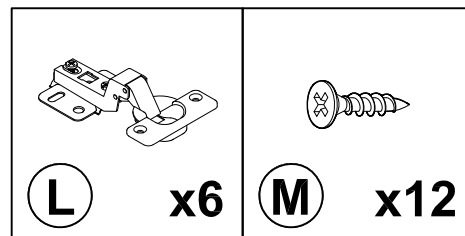
SUPPORT: +18882062161

STEP 13



SUPPORT: +18882062161

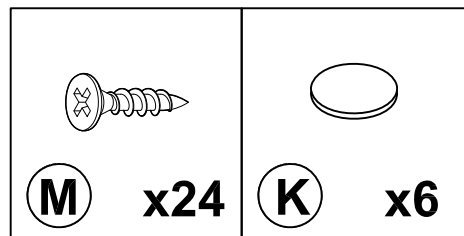
STEP 14



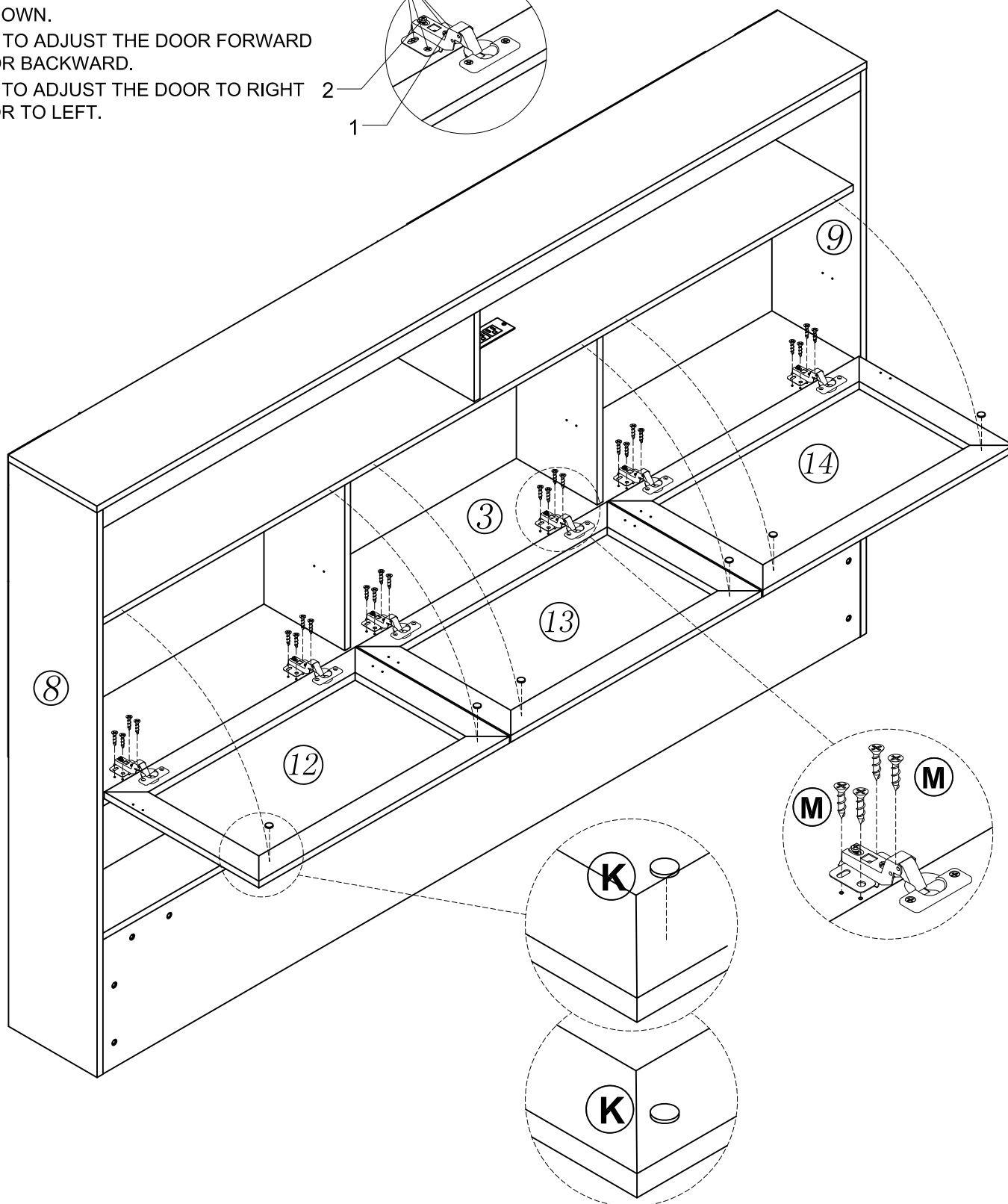
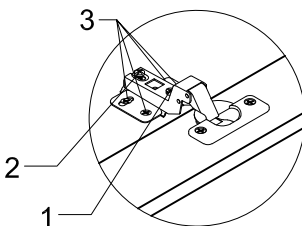
SUPPORT: +18882062161

STEP 15

Three-way adjustable hinge for perfectly aligned doors

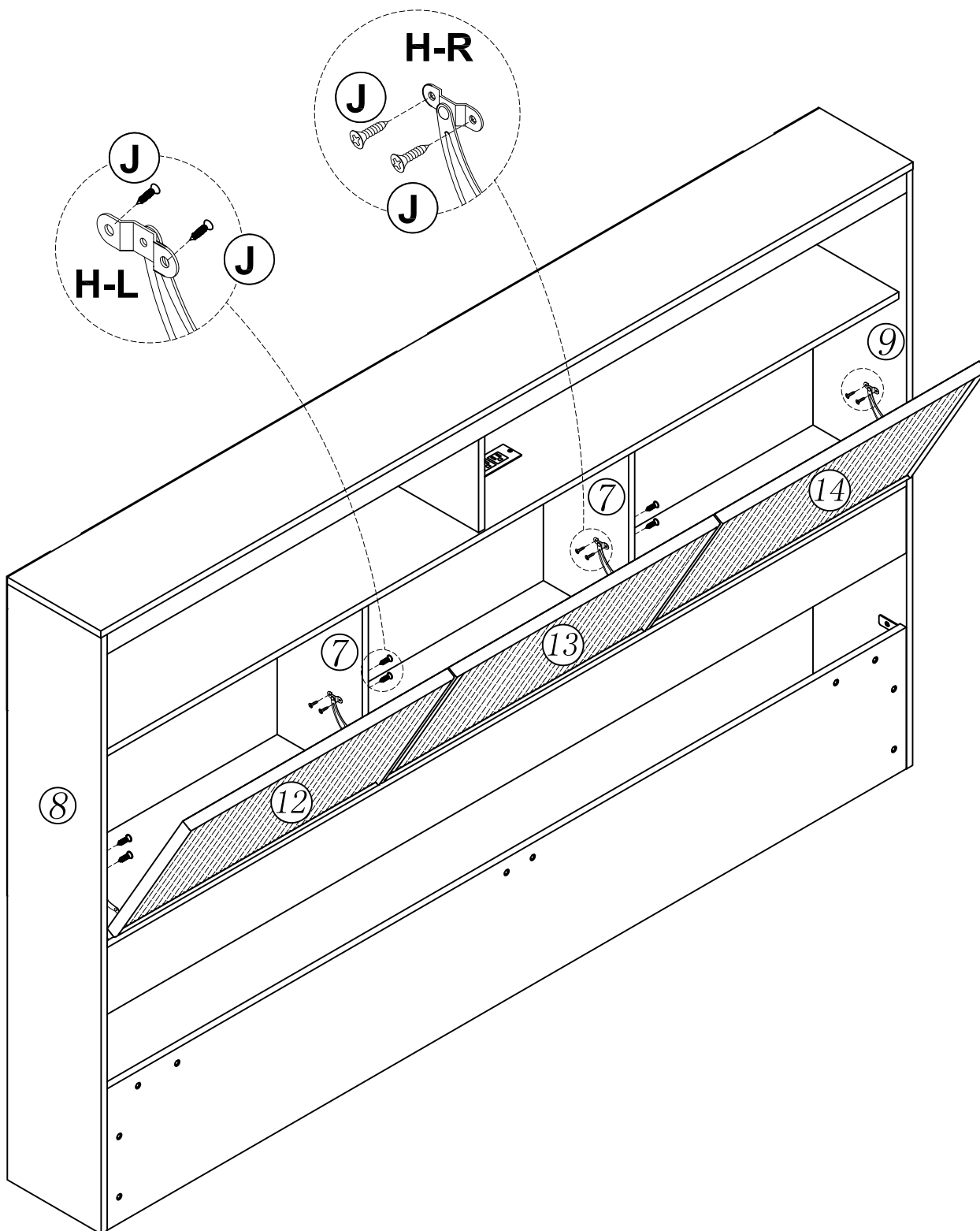
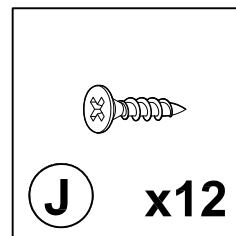


1. TO ADJUST THE DOOR UP OR DOWN.
2. TO ADJUST THE DOOR FORWARD OR BACKWARD.
3. TO ADJUST THE DOOR TO RIGHT OR TO LEFT.



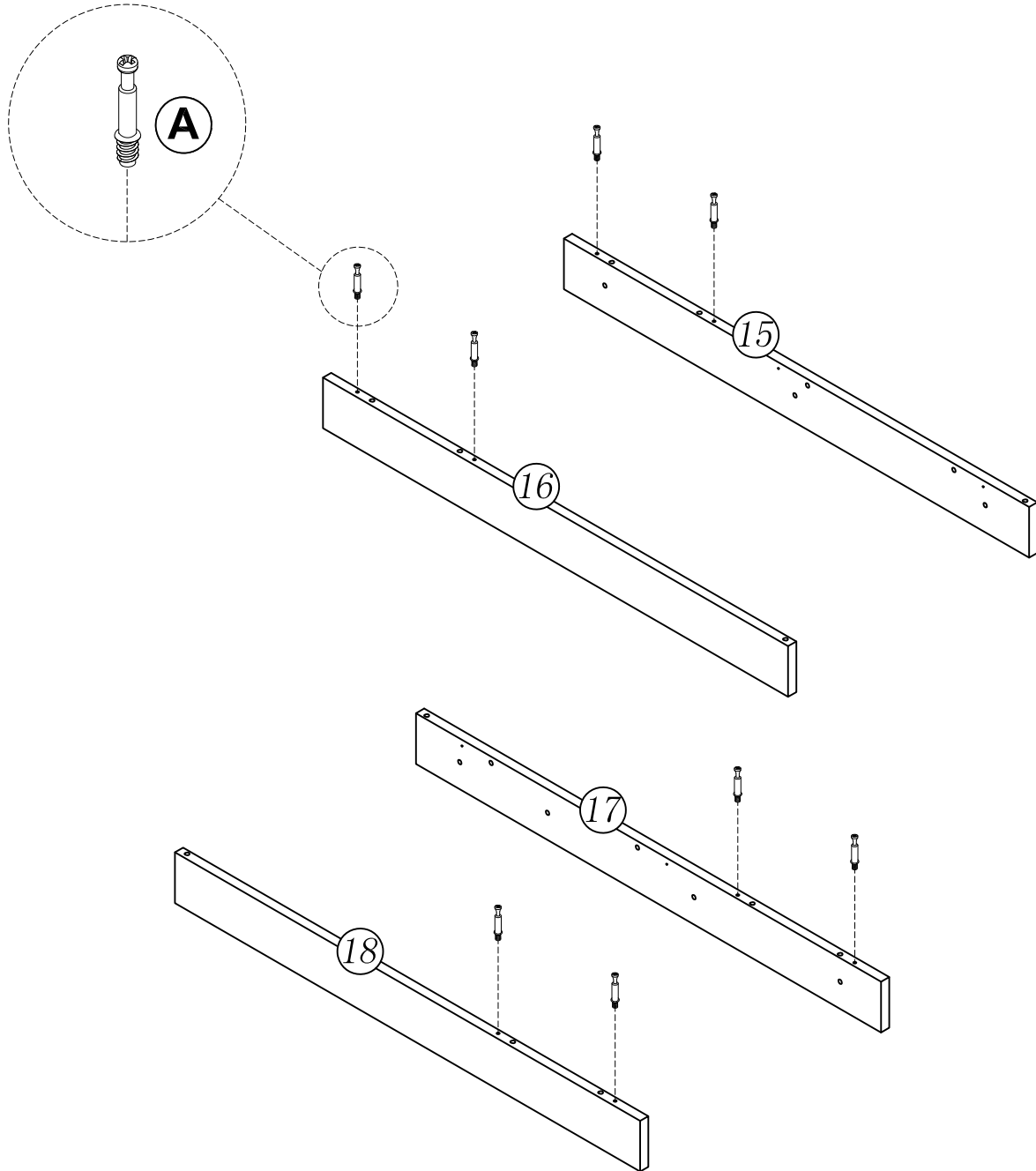
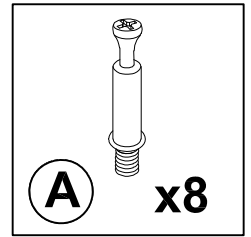
SUPPORT: +18882062161

STEP 17




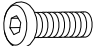
SUPPORT: +18882062161

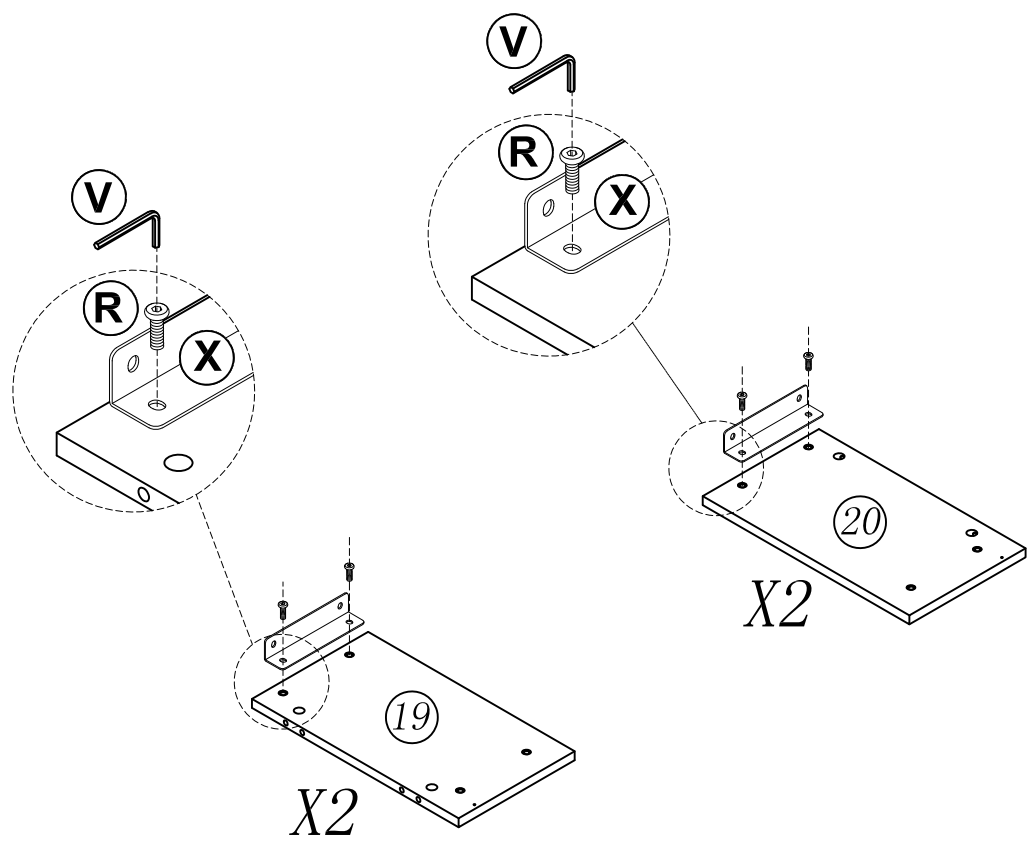
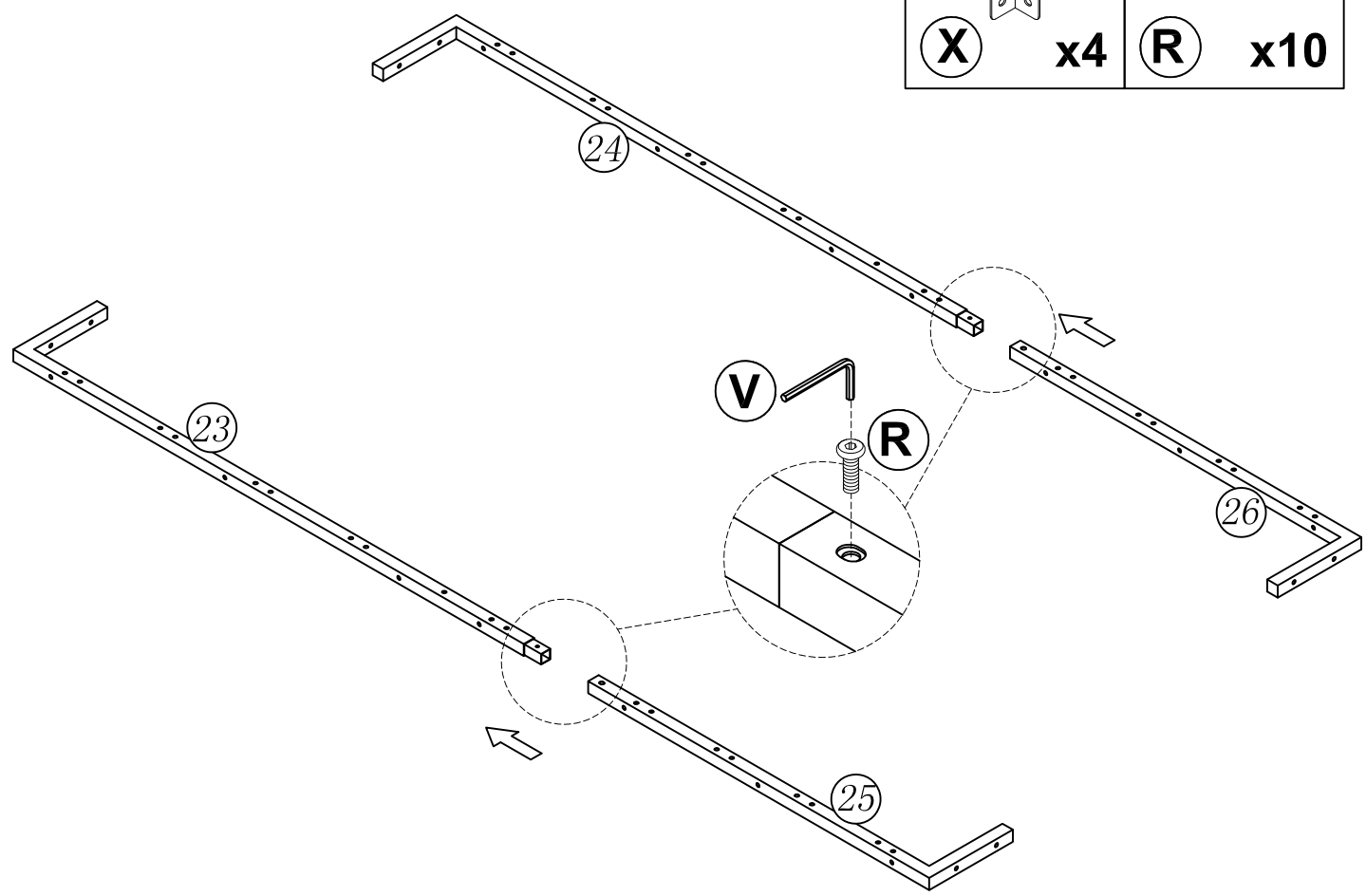
STEP 18



SUPPORT: +18882062161

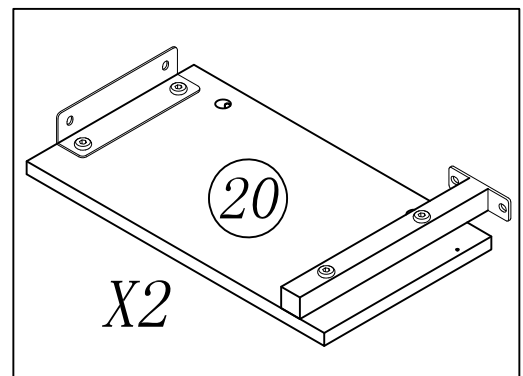
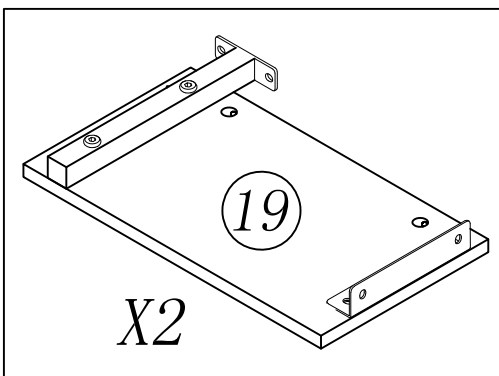
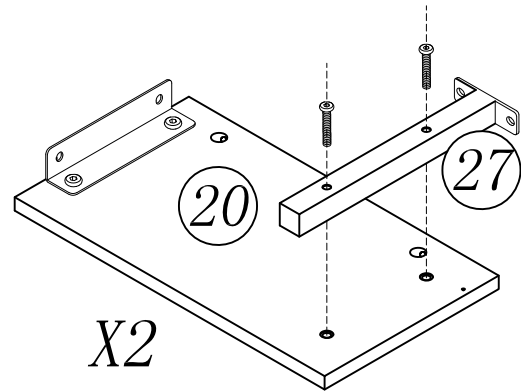
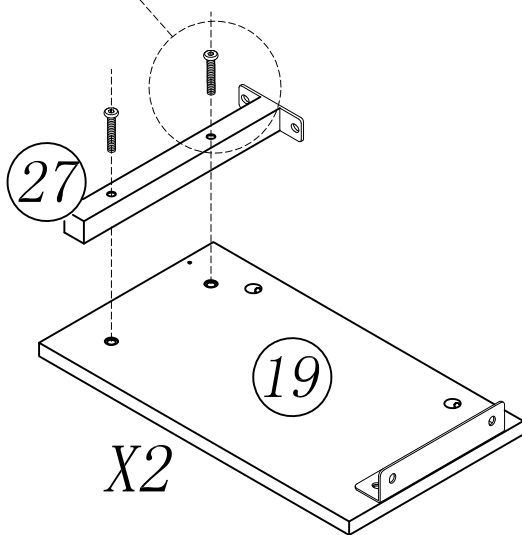
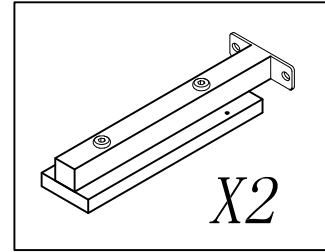
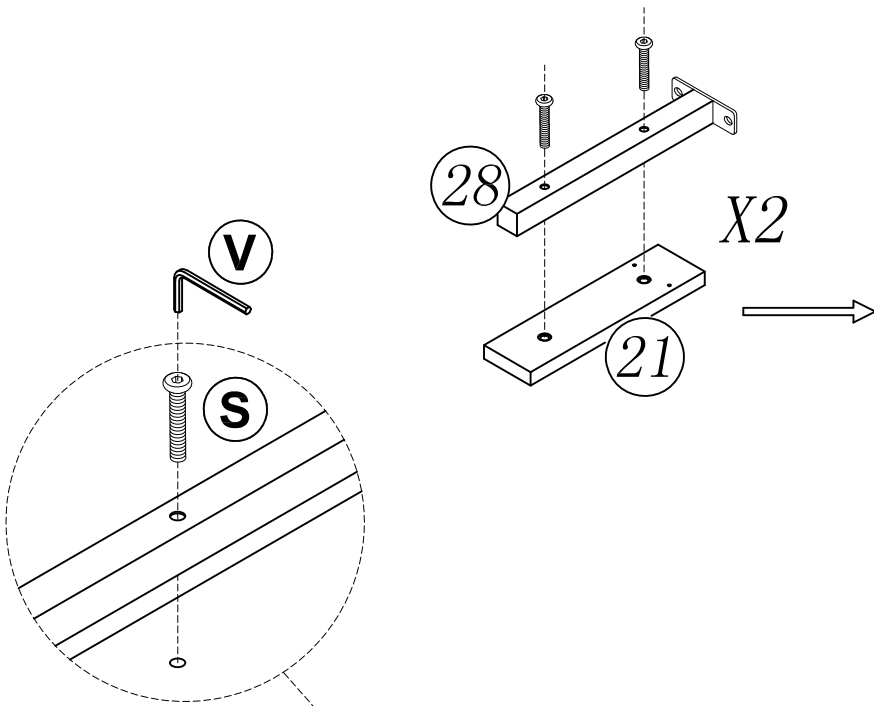
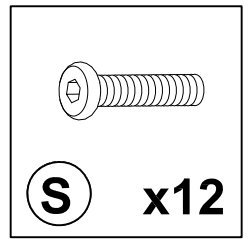
STEP 19

	
X x4	R x10



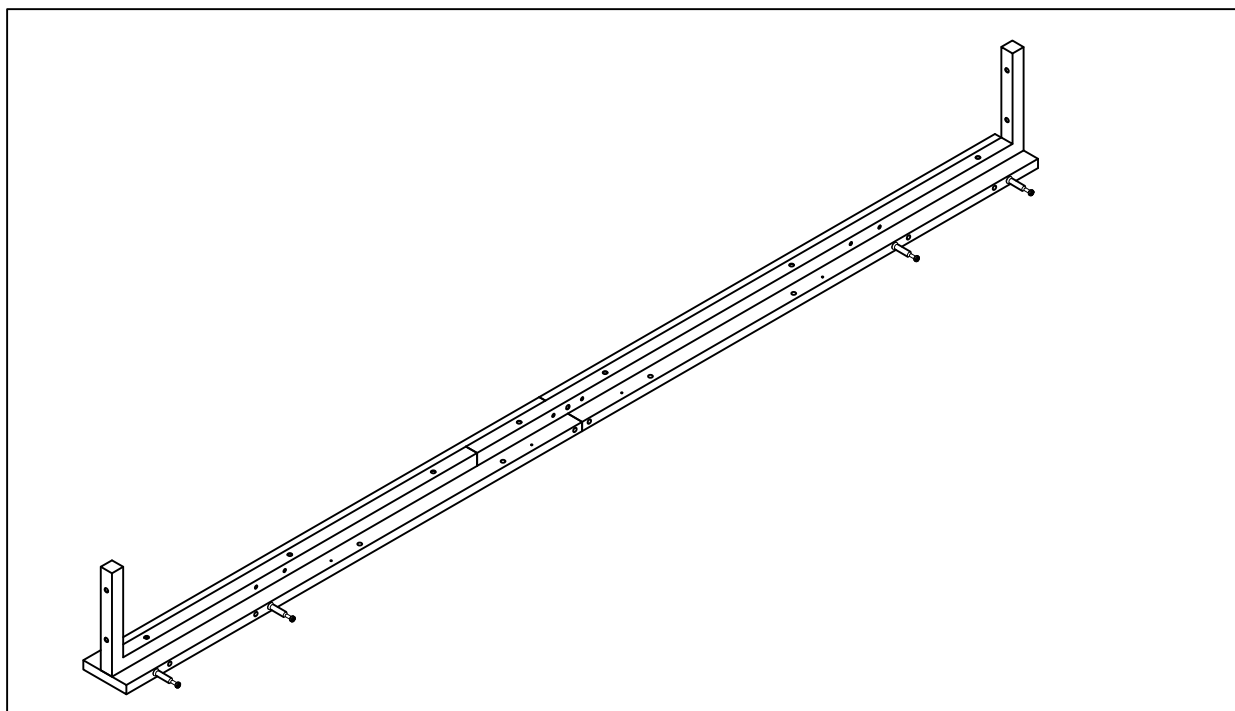
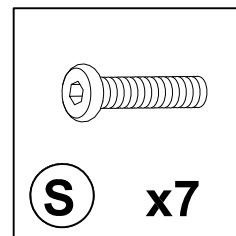
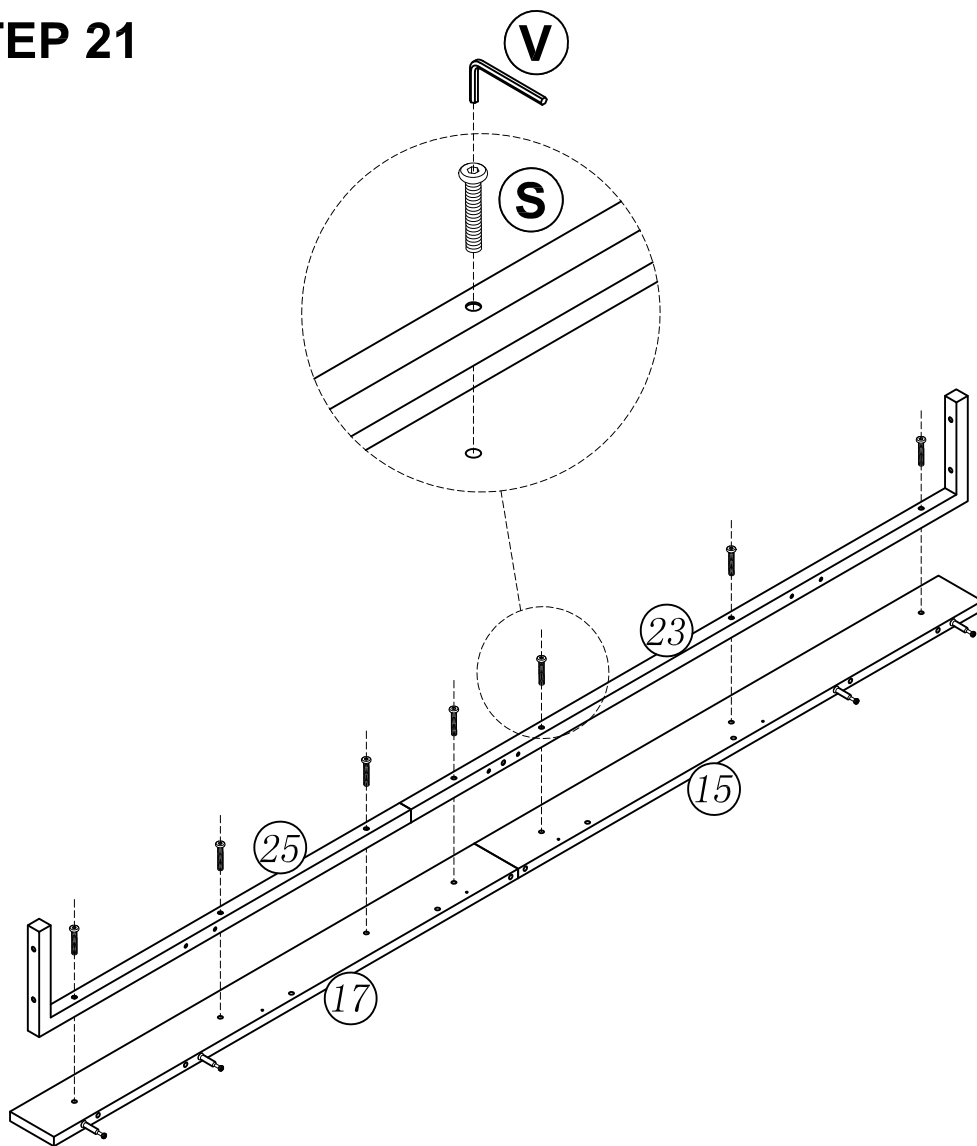
SUPPORT: +18882062161

STEP 20



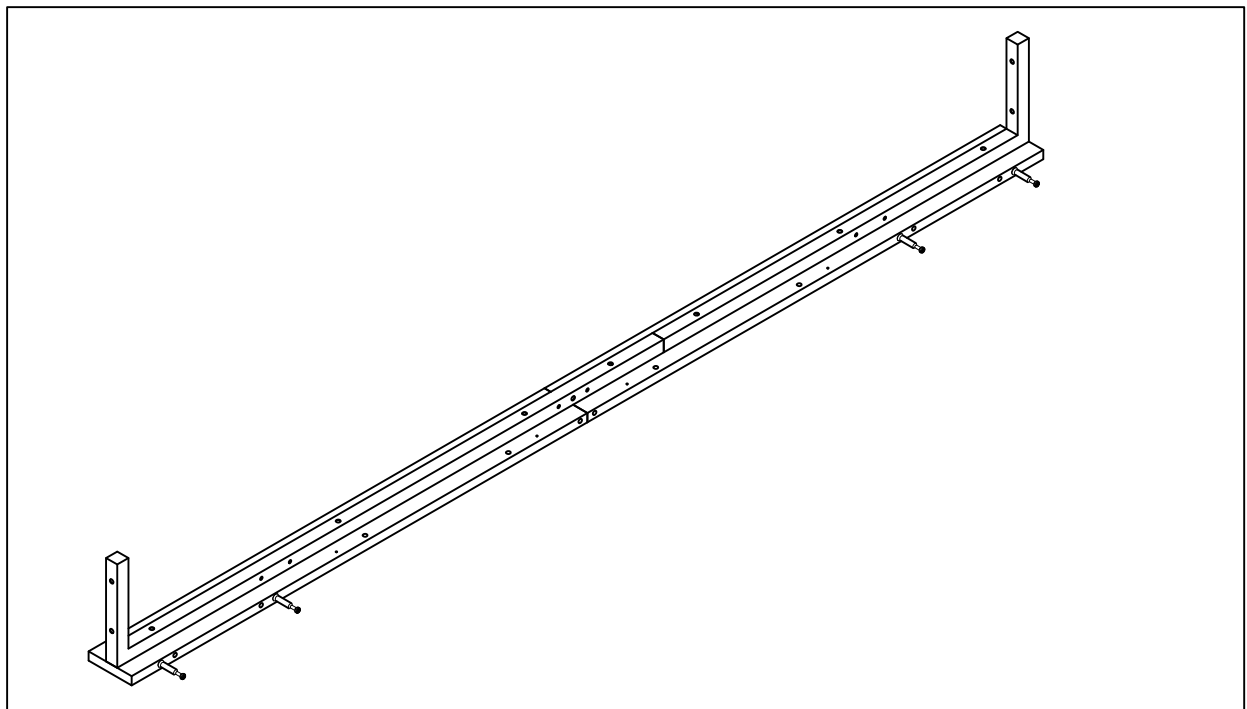
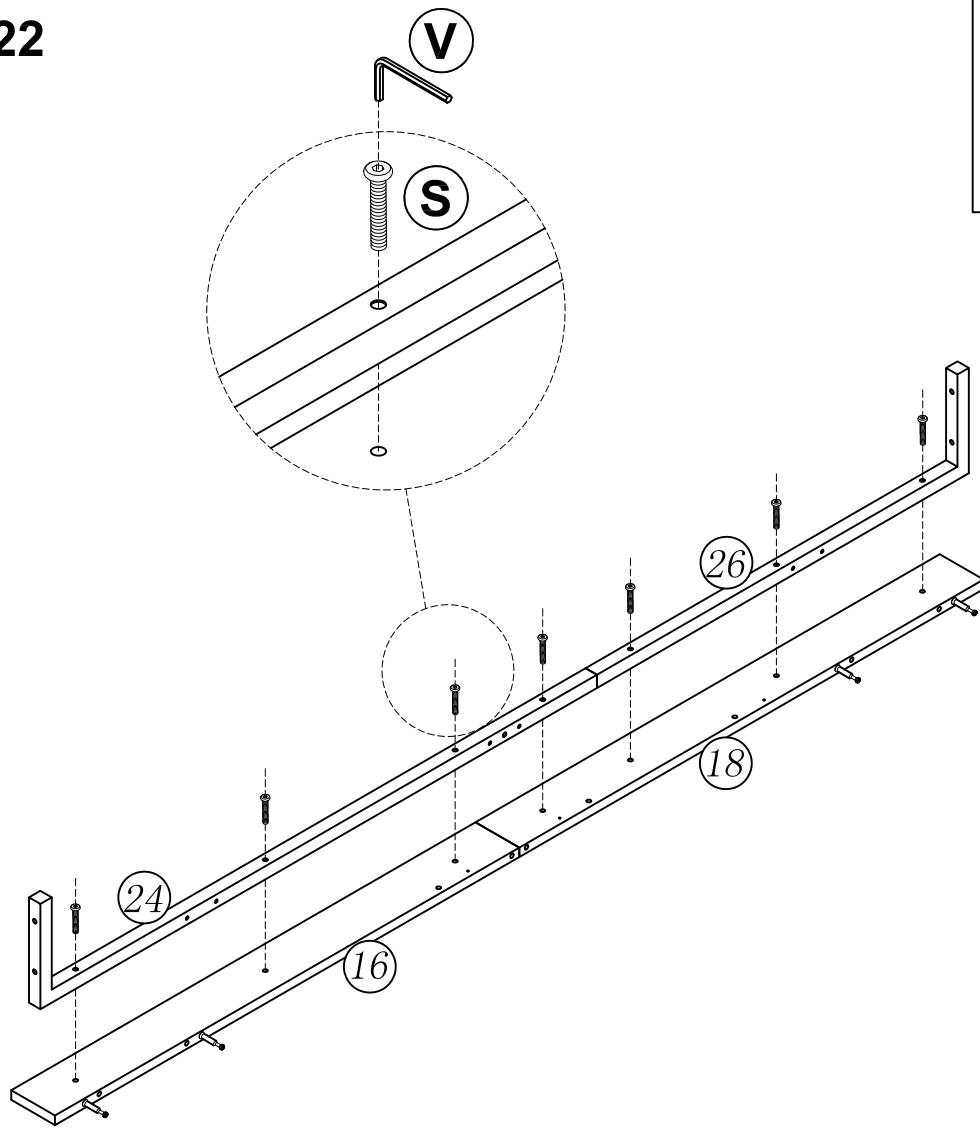
SUPPORT: +18882062161

STEP 21



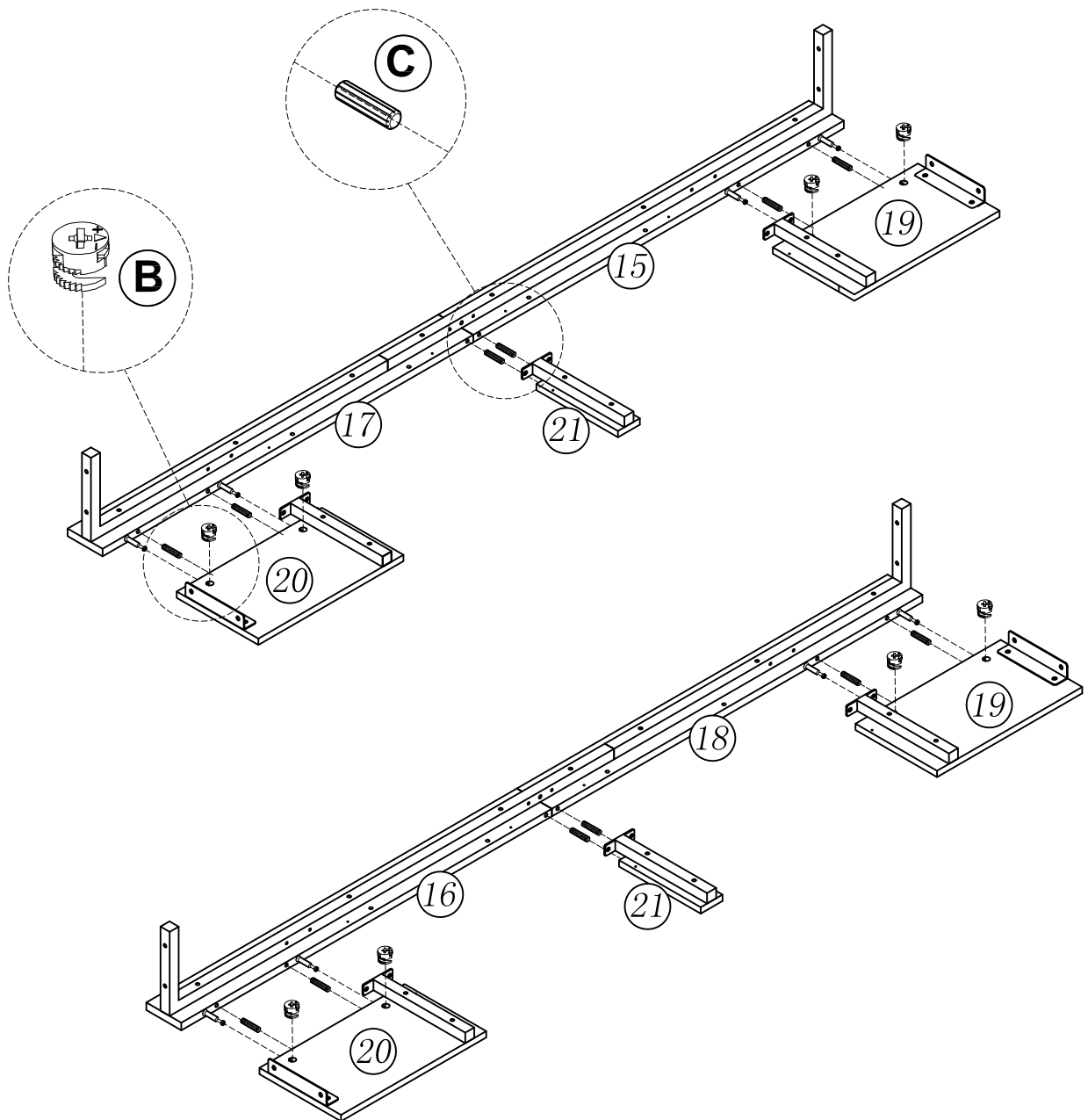
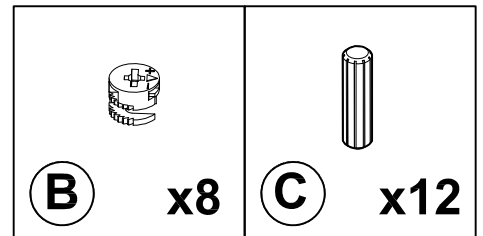
SUPPORT: +18882062161

STEP 22



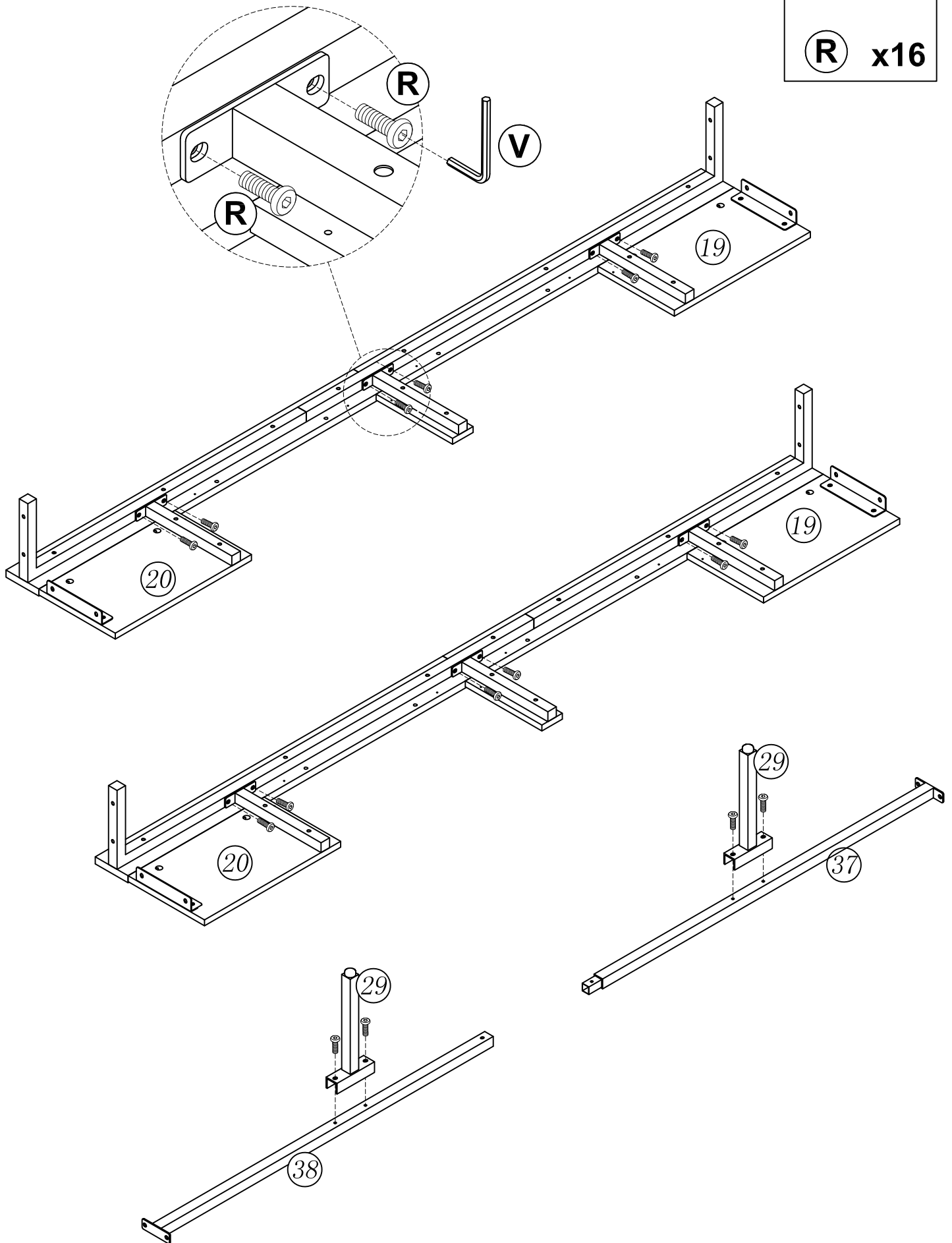
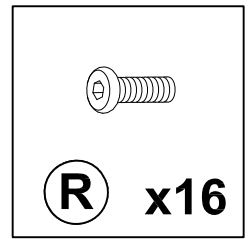
SUPPORT: +18882062161

STEP 23



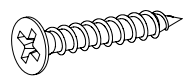
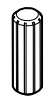
SUPPORT: +18882062161

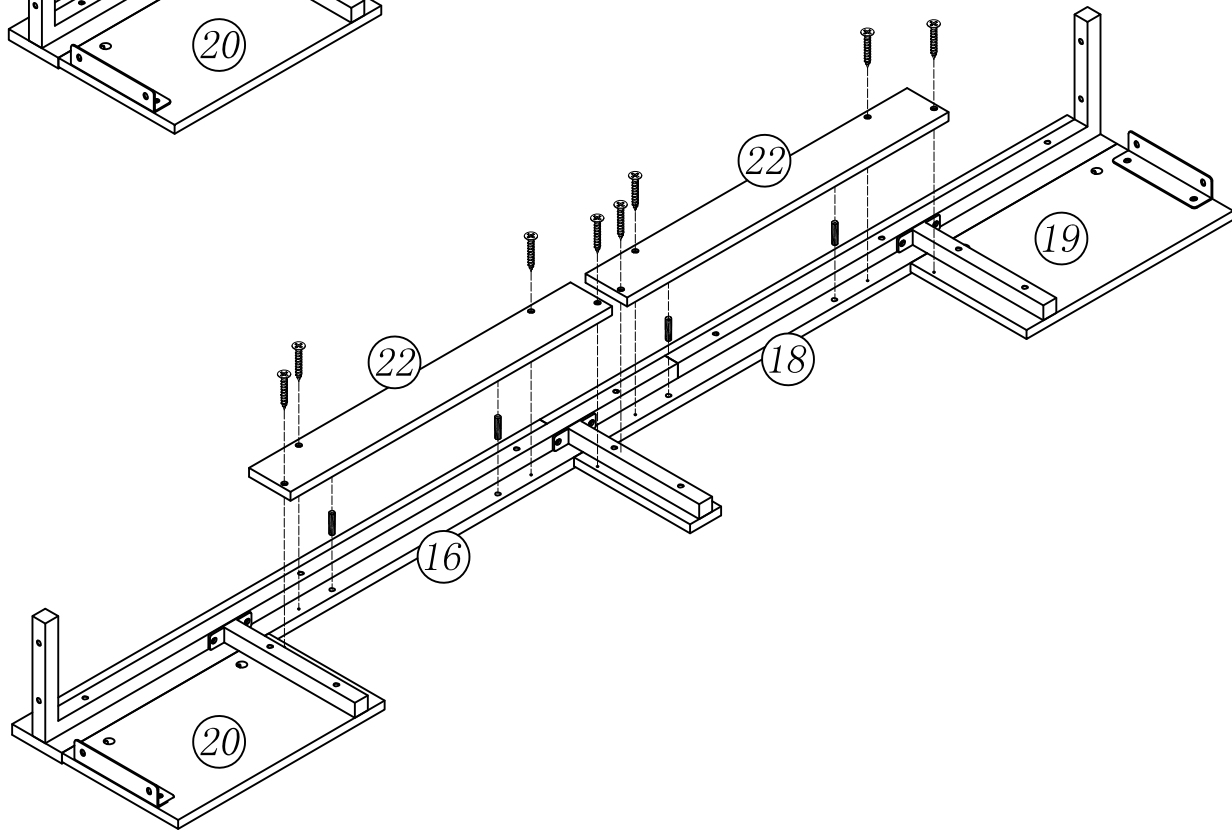
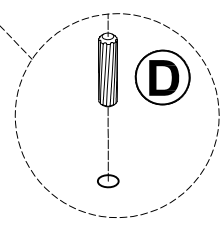
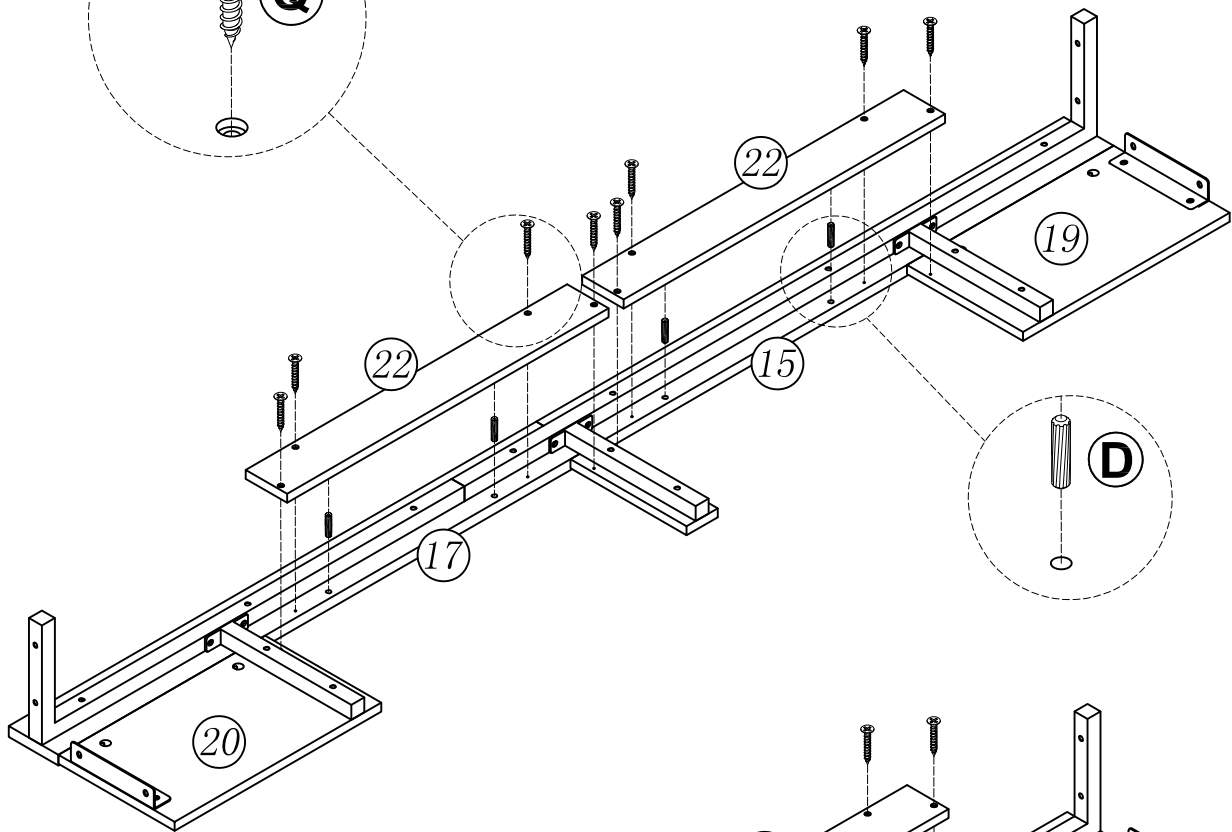
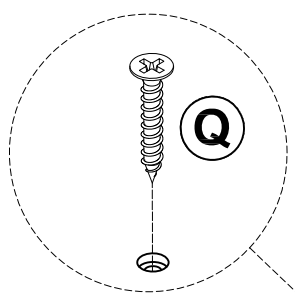
STEP 24



SUPPORT: +18882062161

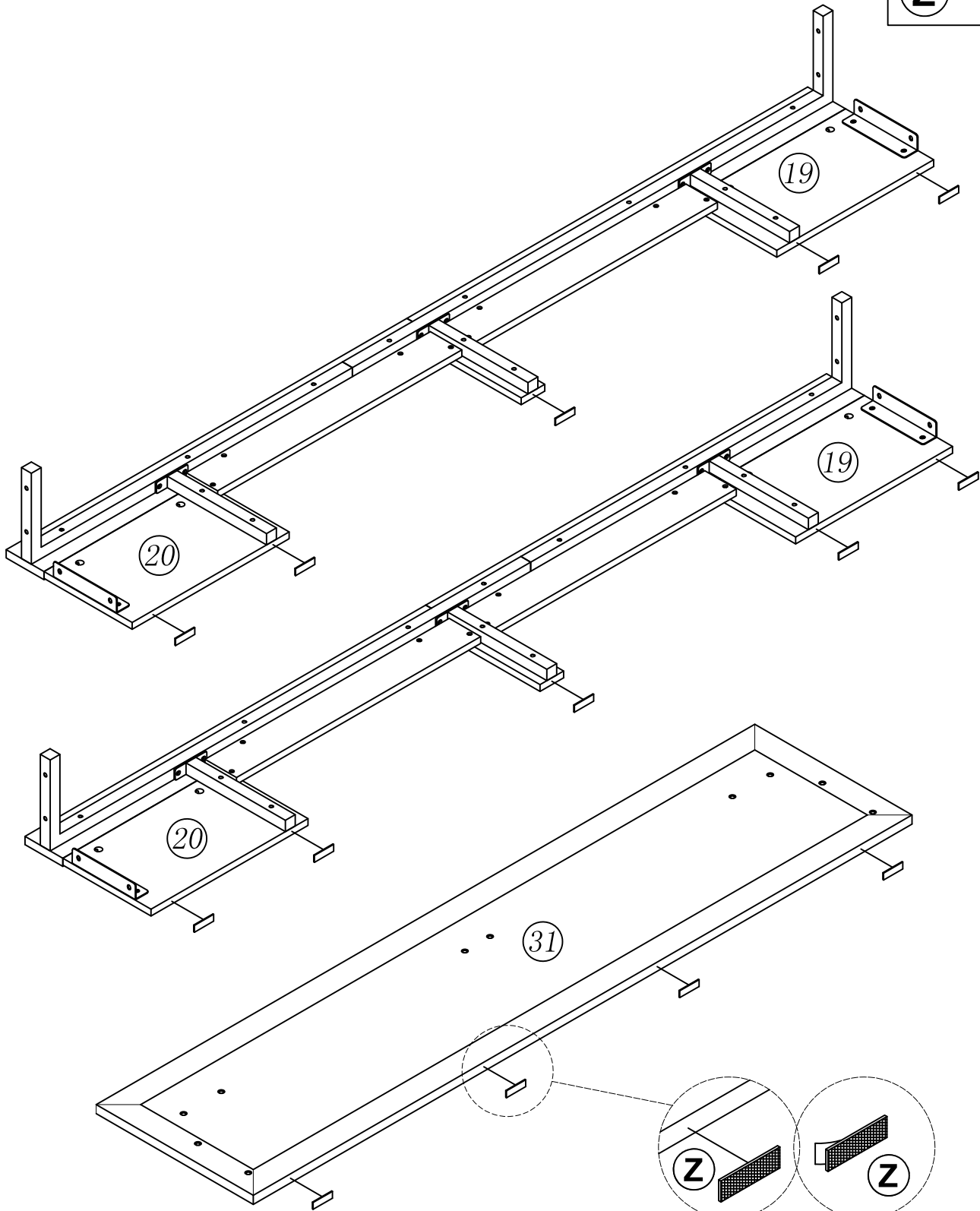
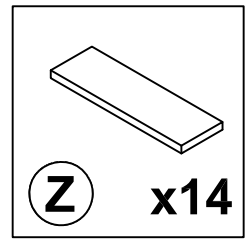
STEP 25

	
Q x16	D x8



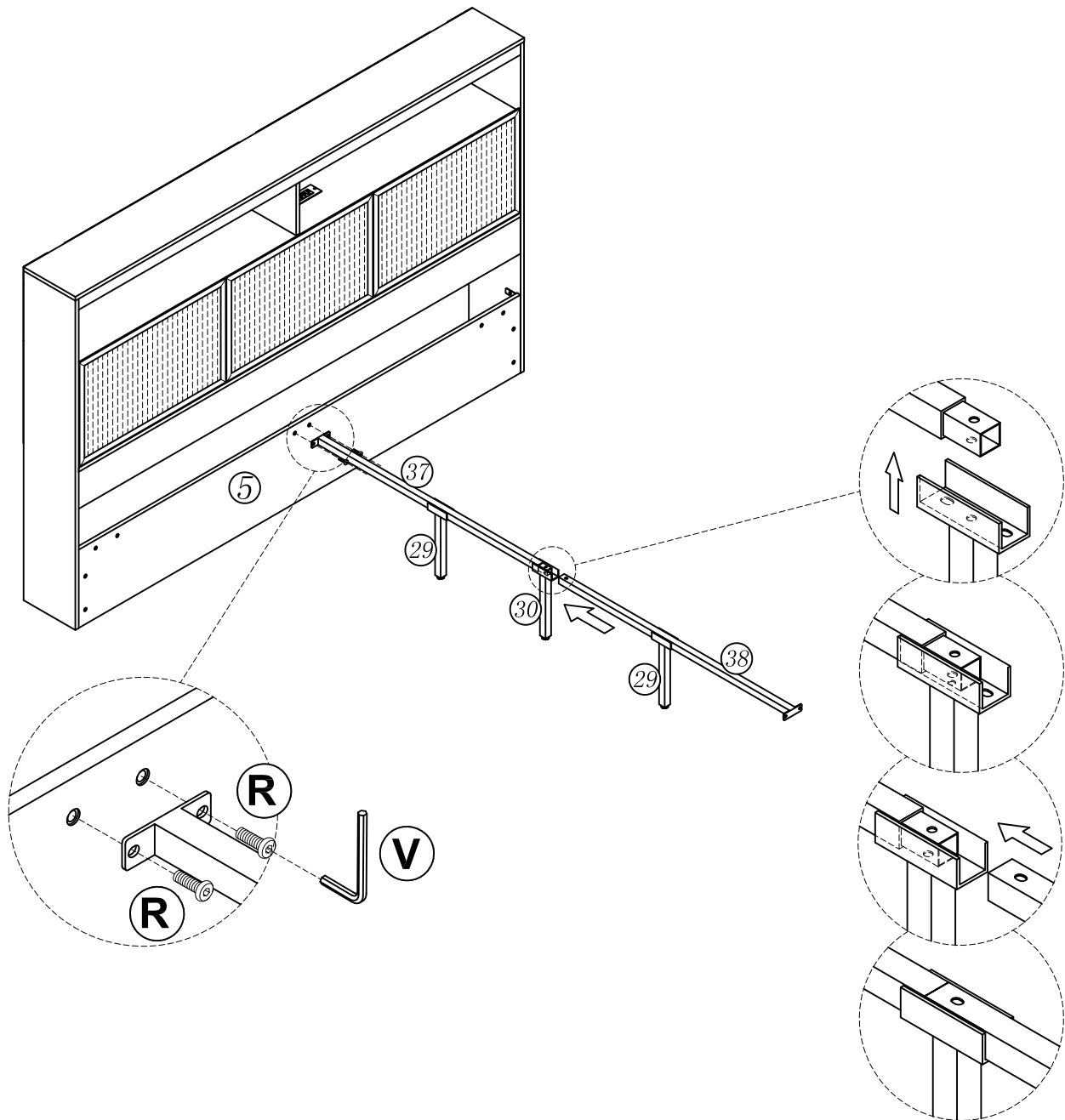
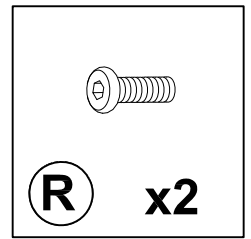
SUPPORT: +18882062161

STEP 26



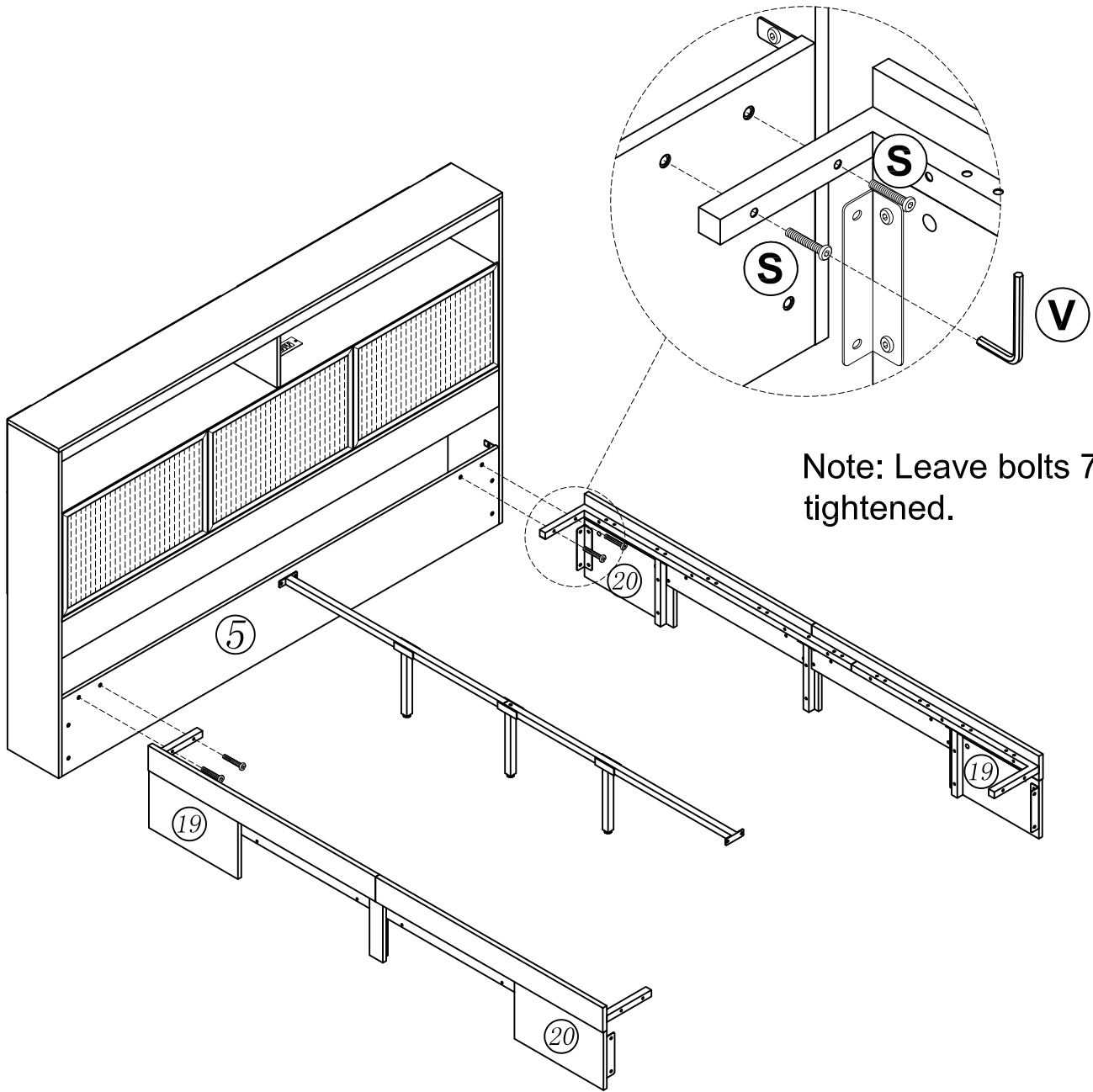
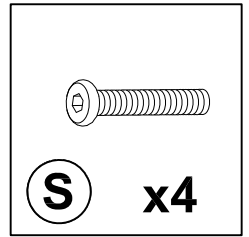
SUPPORT: +18882062161

STEP 27



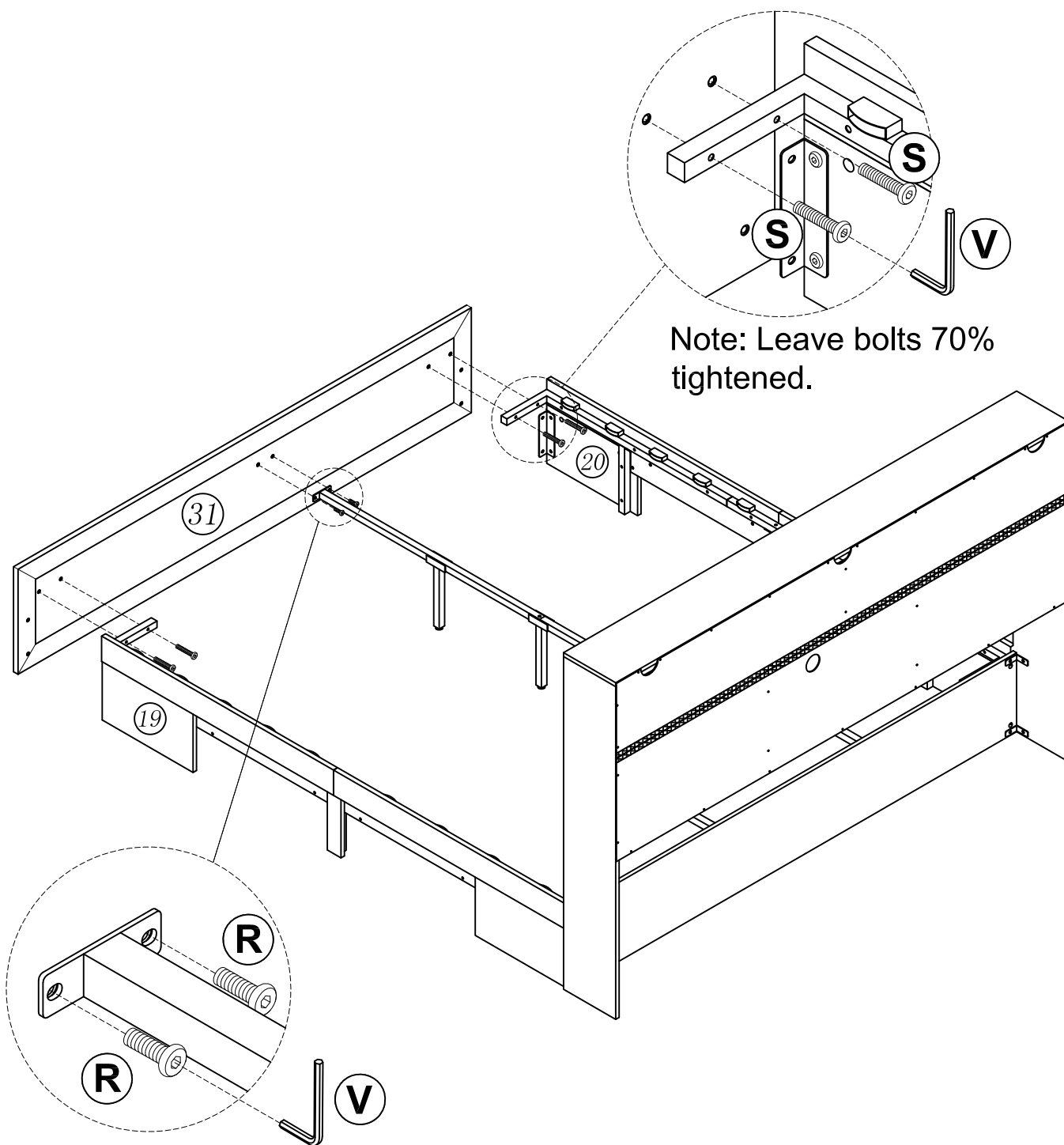
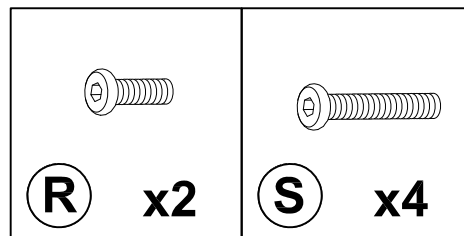
SUPPORT: +18882062161

STEP 28



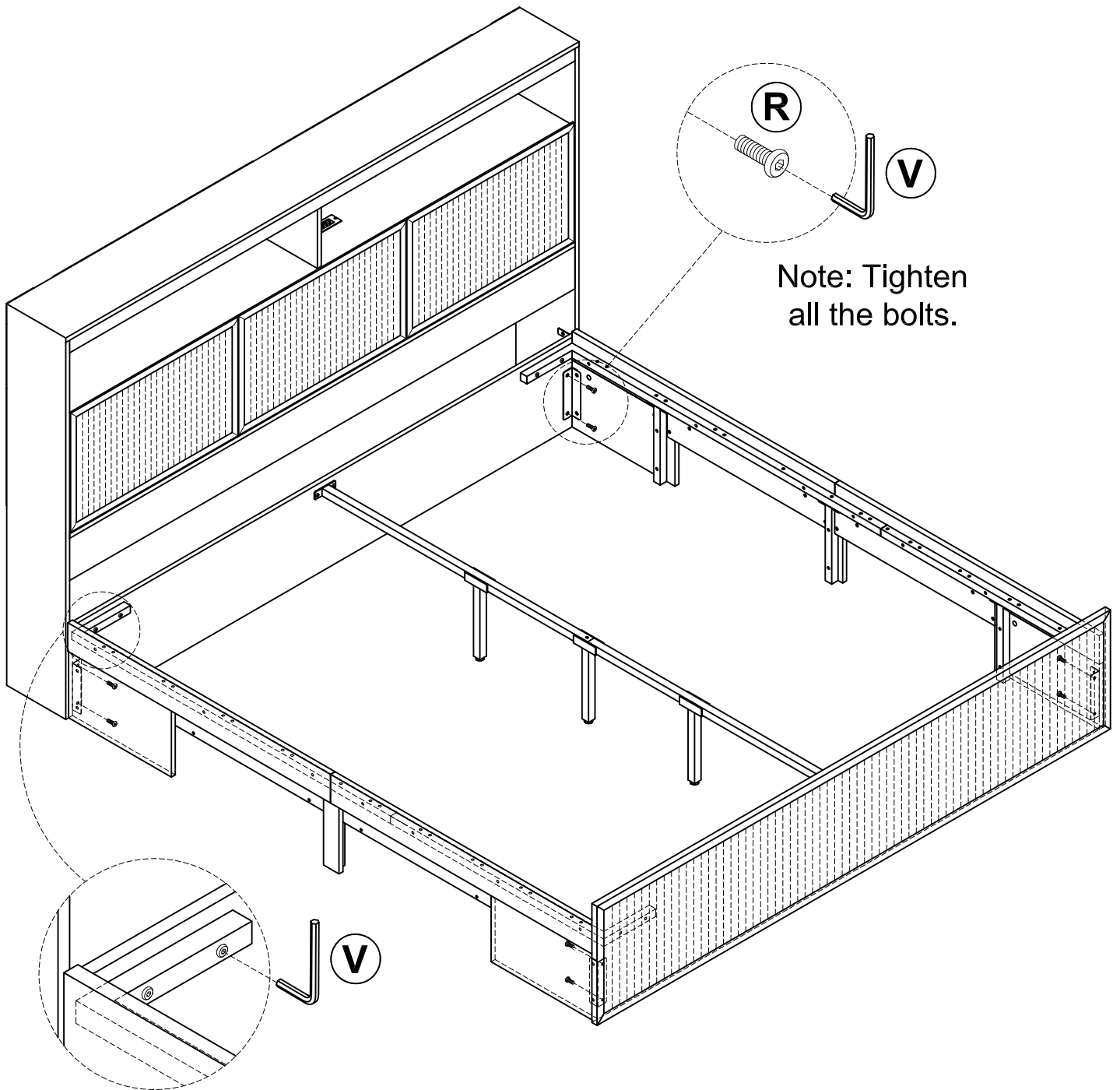
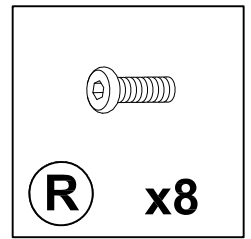
Note: Leave bolts 70% tightened.

STEP 29



SUPPORT: +18882062161

STEP 30

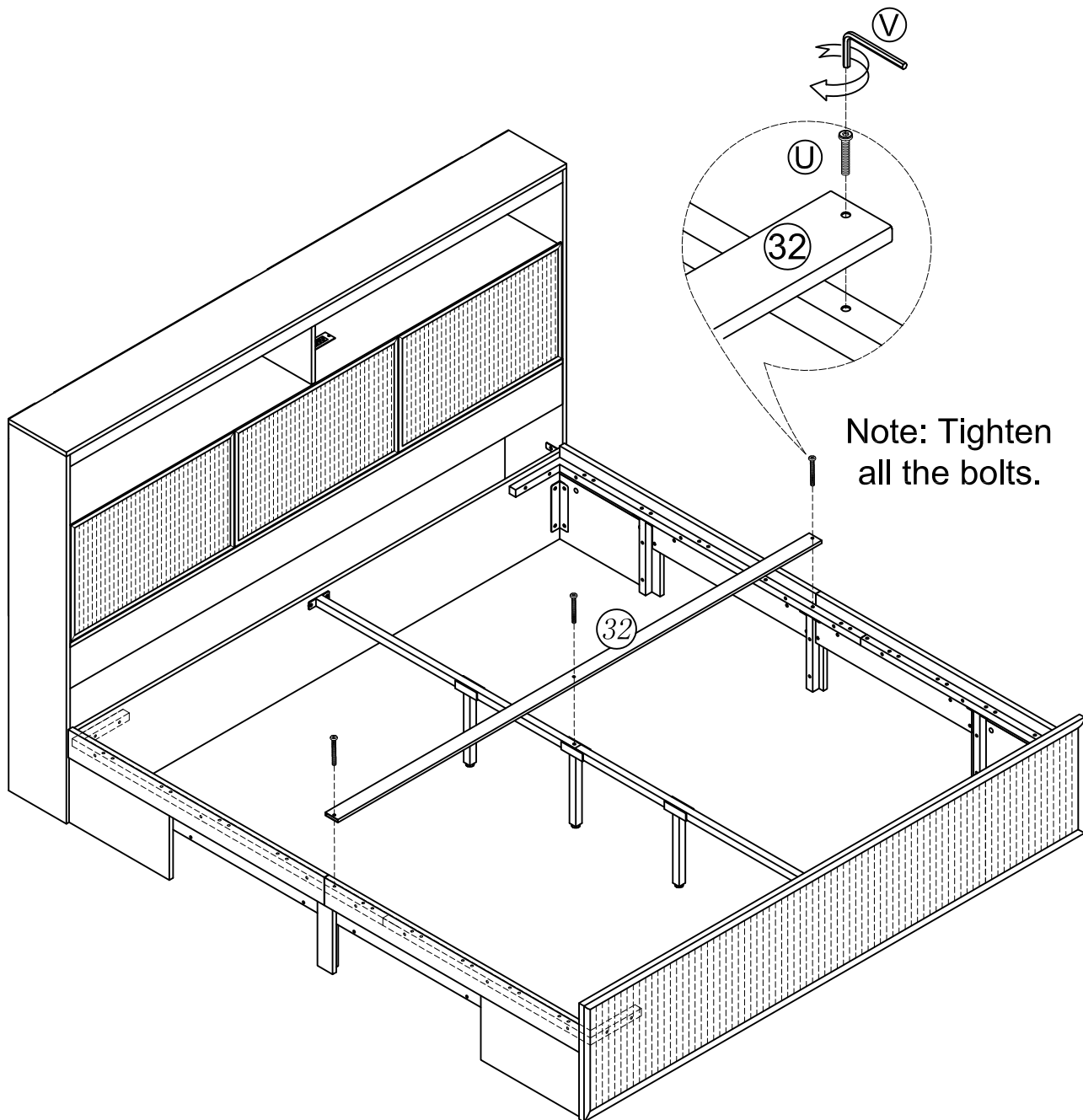
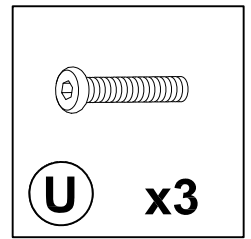


Note: Tighten all the bolts.

Note: Tighten all the bolts.

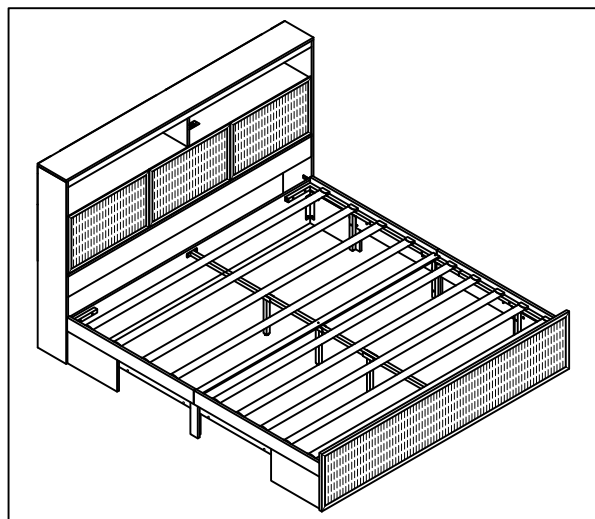
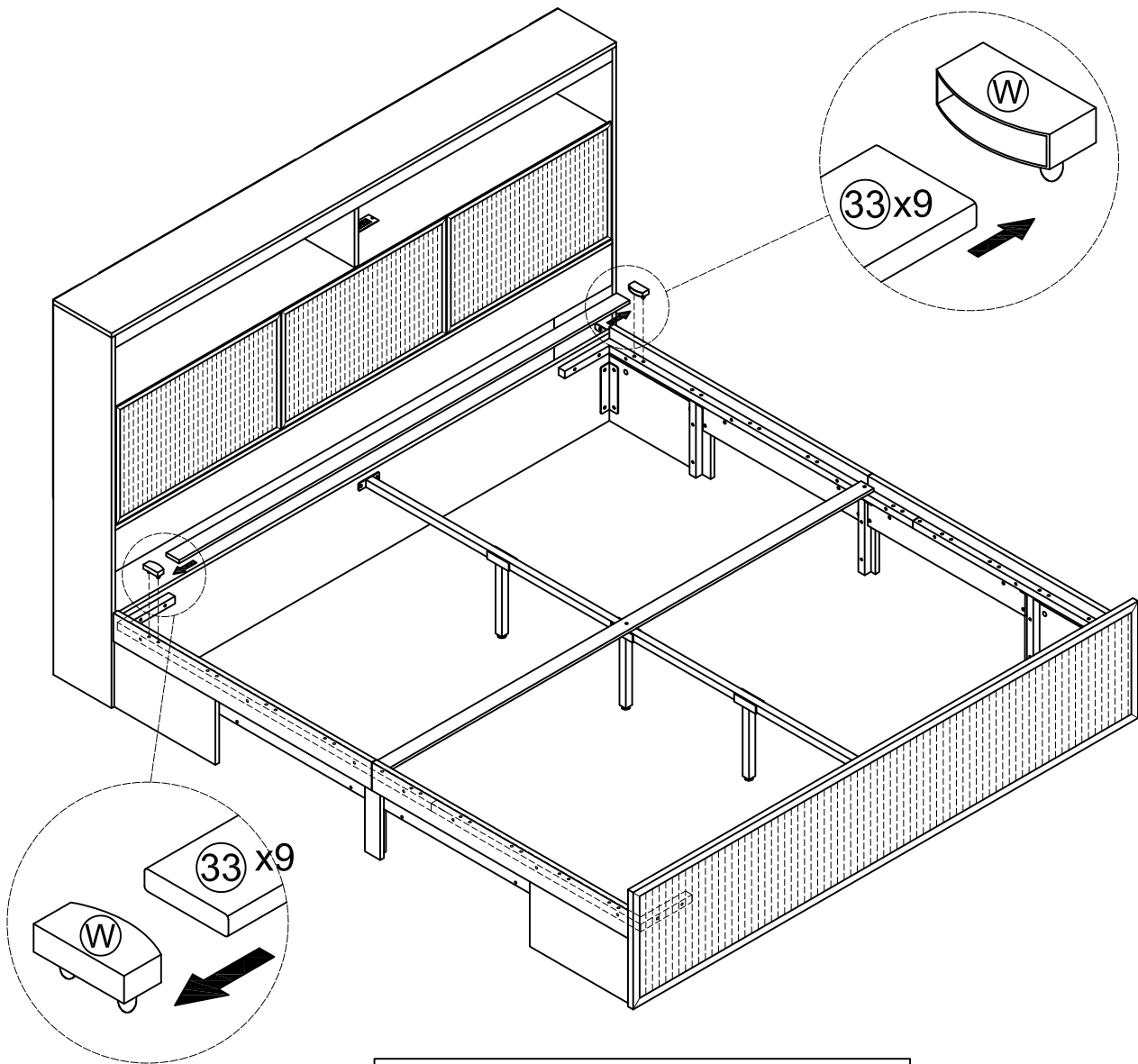
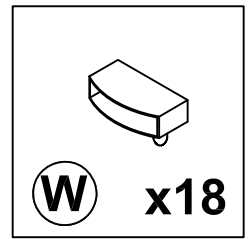
SUPPORT: +18882062161

STEP 31



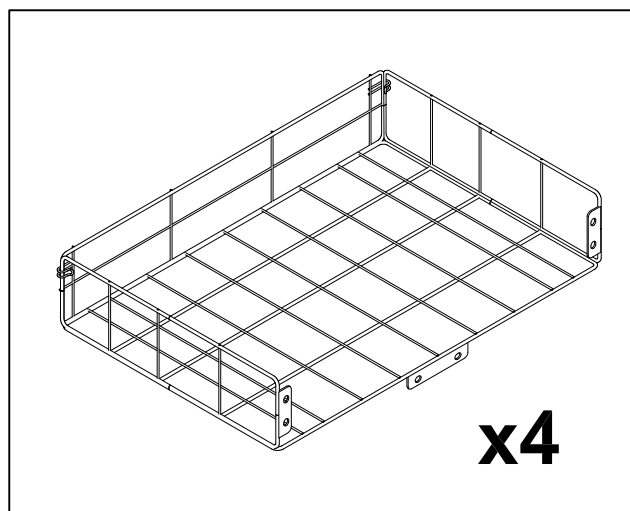
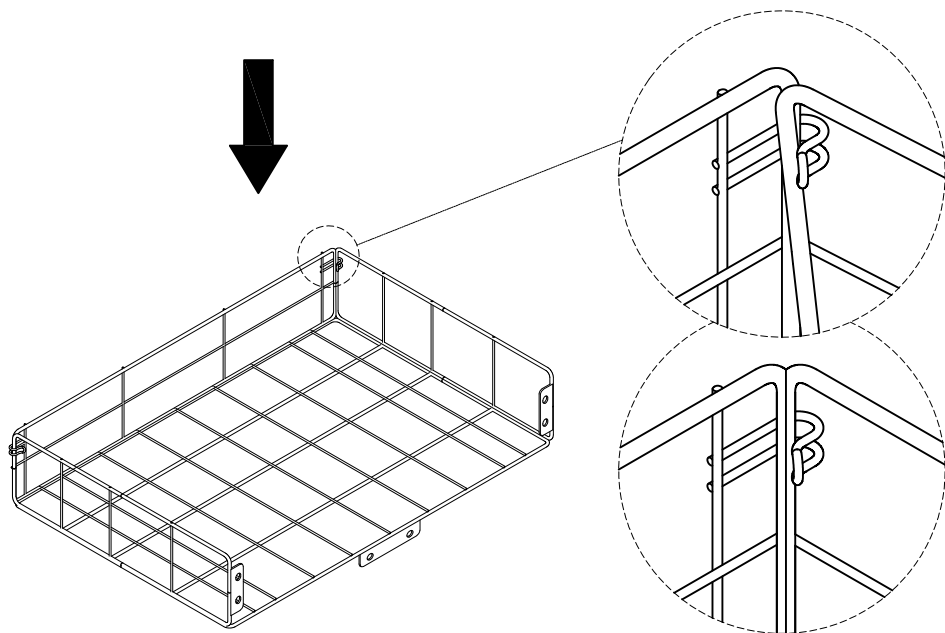
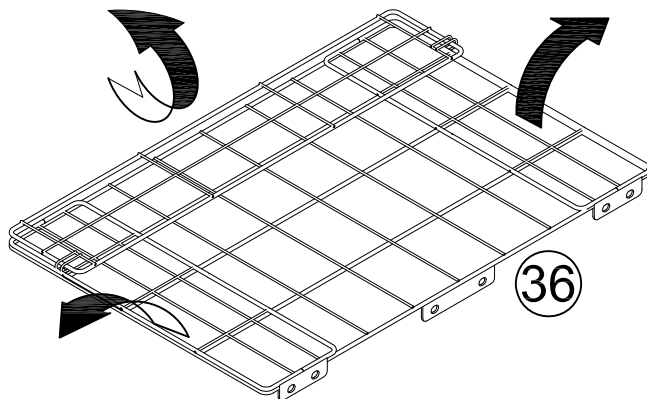
SUPPORT: +18882062161

STEP 32



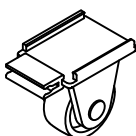
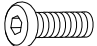
SUPPORT: +18882062161

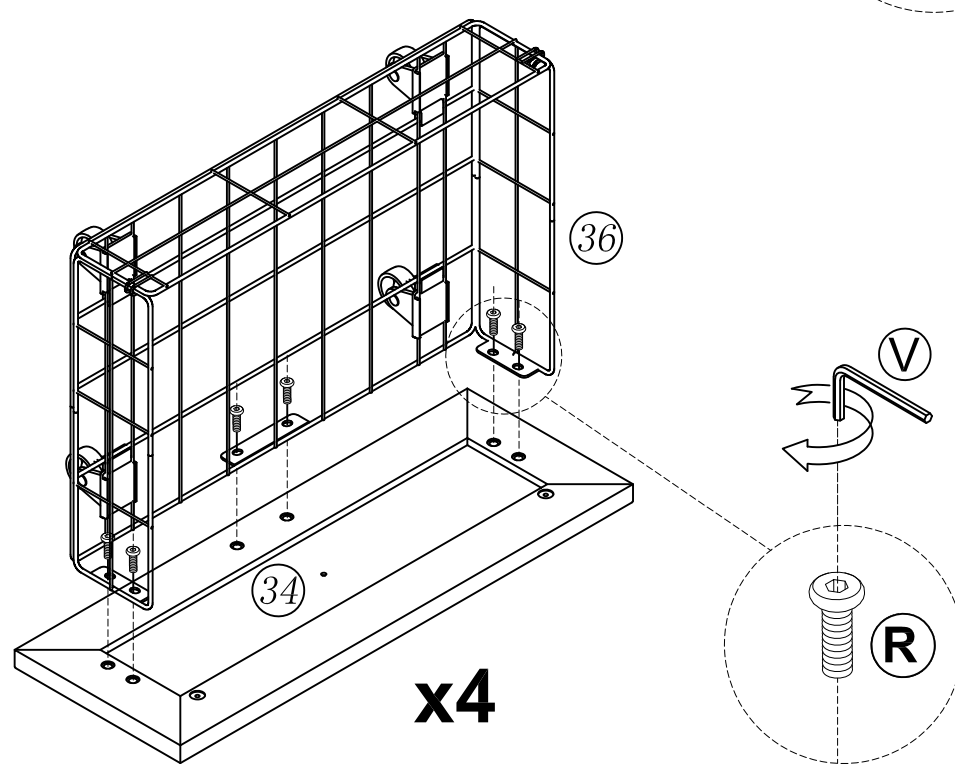
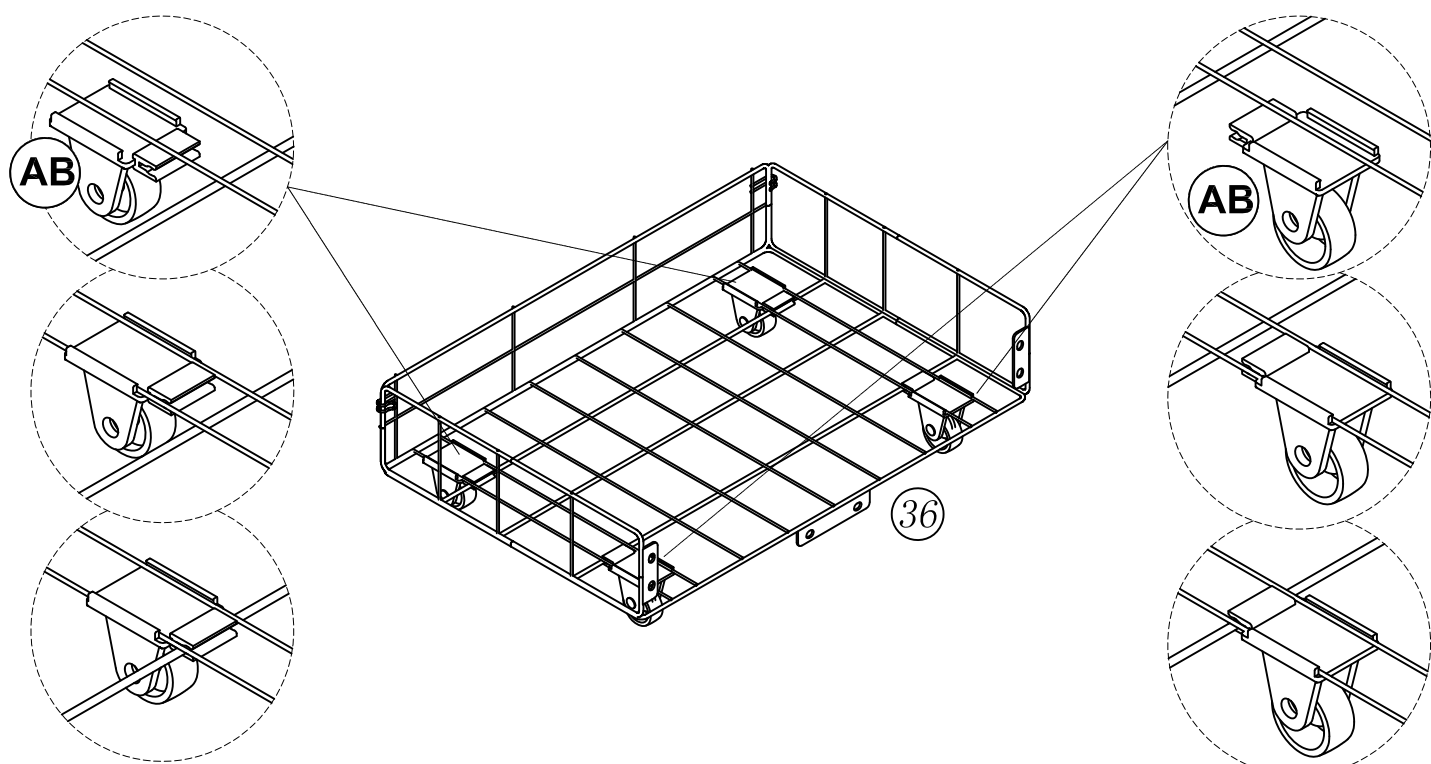
STEP 33



SUPPORT: +18882062161

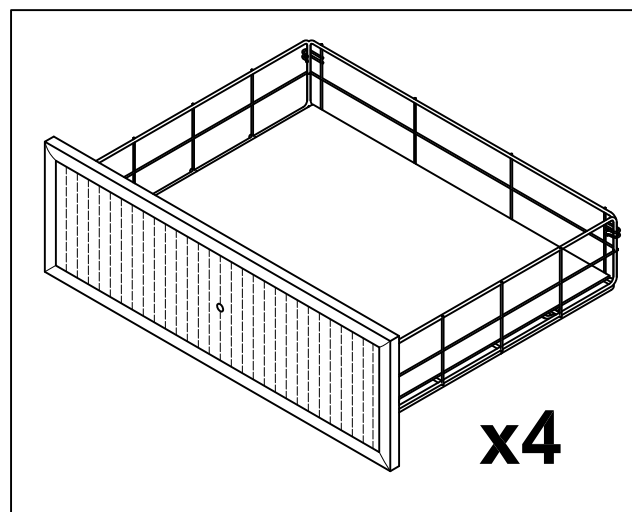
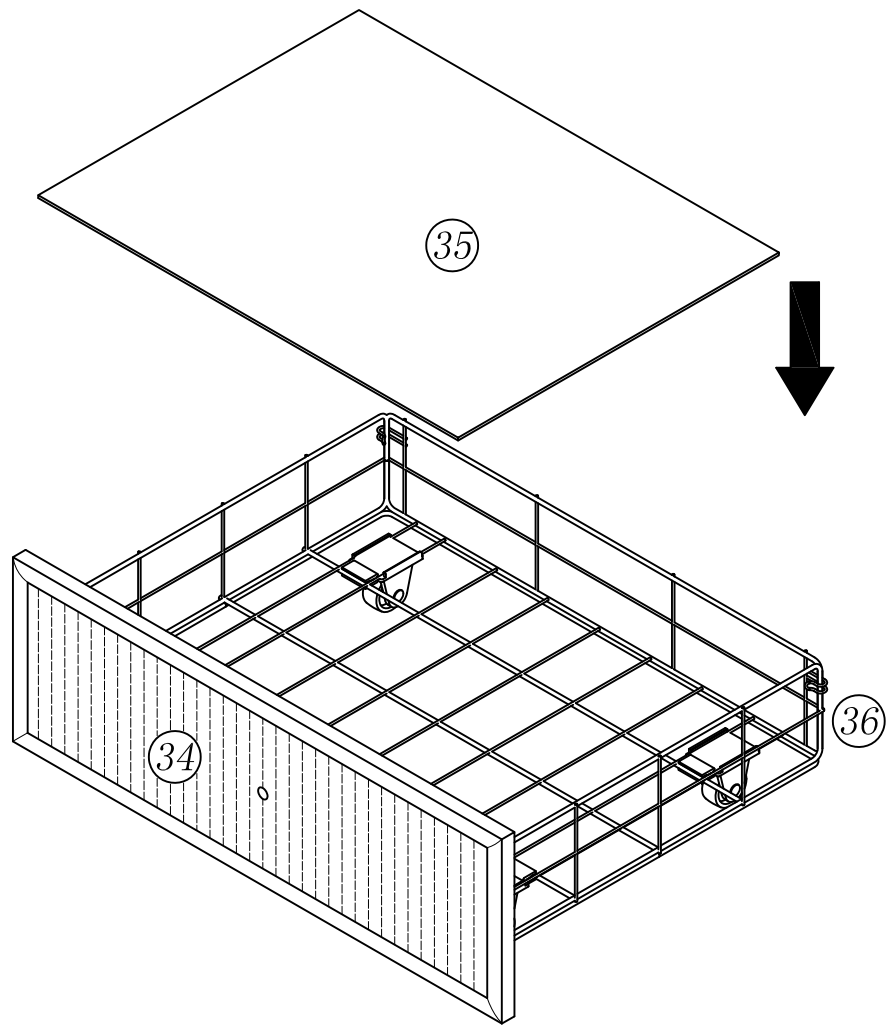
STEP 34

	
AB x16	R x24



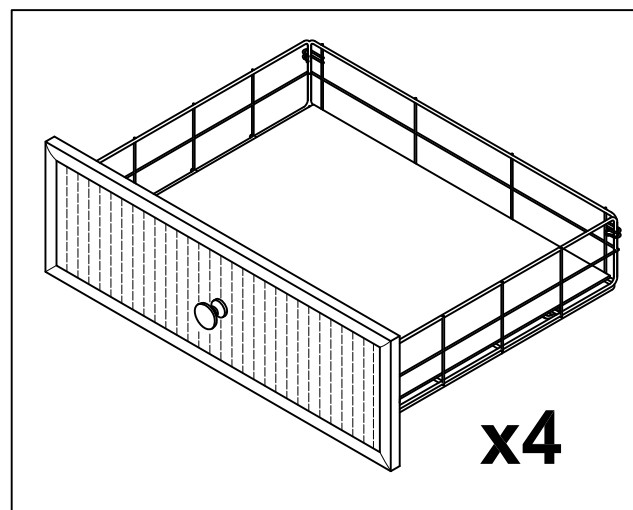
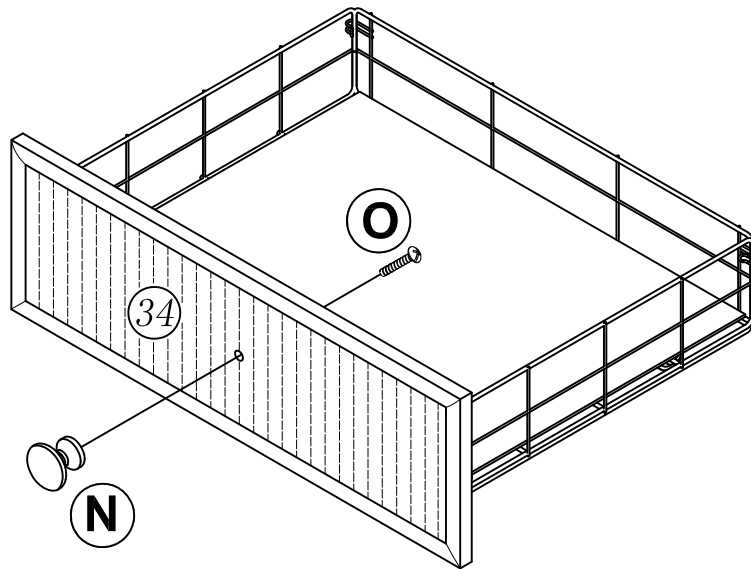
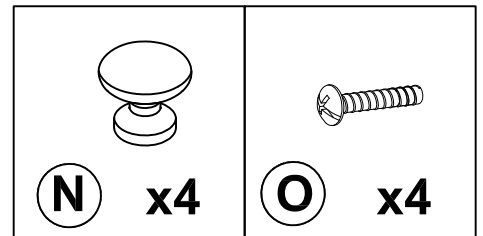
SUPPORT: +18882062161

STEP 35



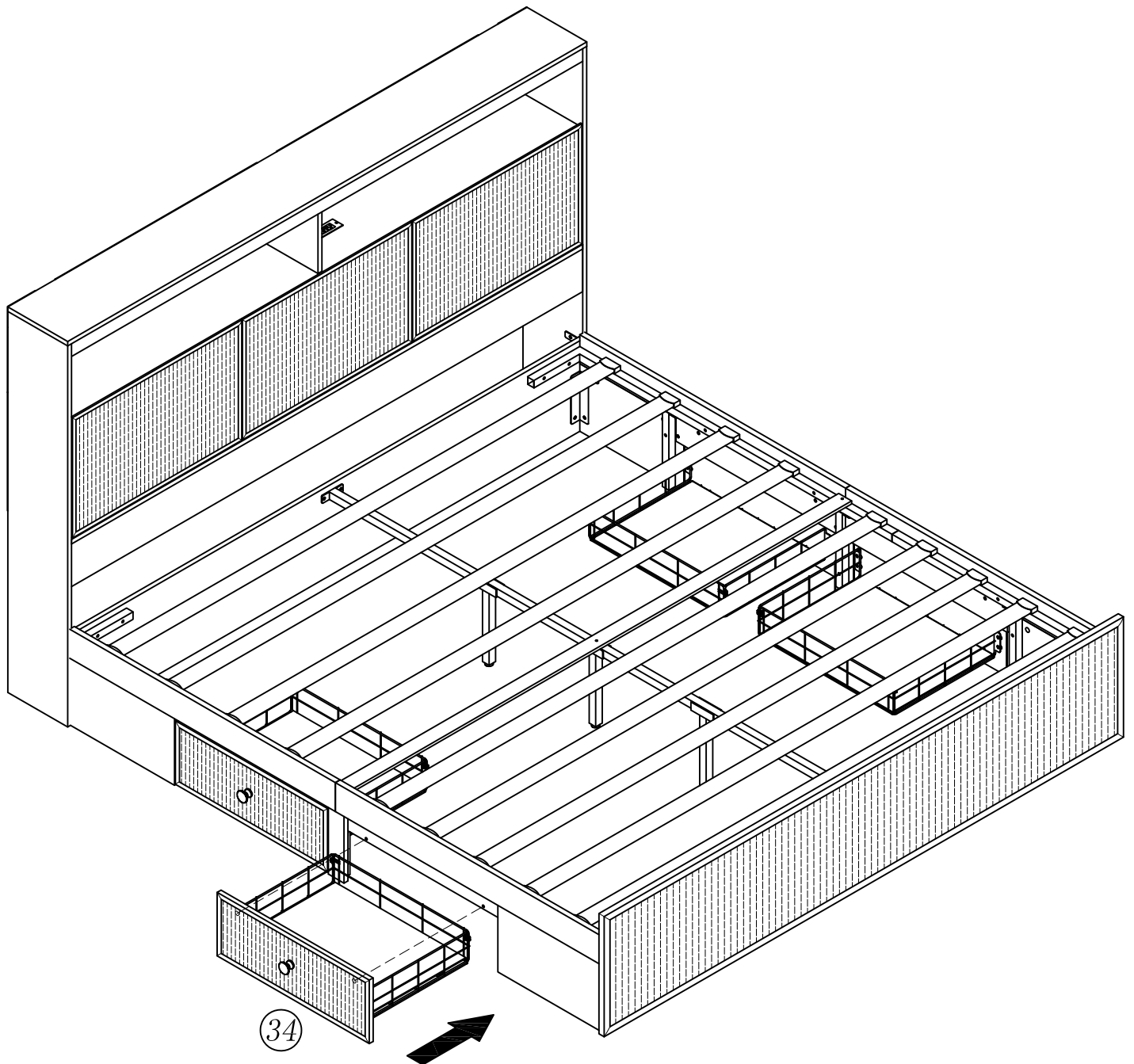
SUPPORT: +18882062161

STEP 36



SUPPORT: +18882062161

STEP 36



Align the suction iron on the
suction surface with the magnet

SUPPORT: +18882062161