

HARDWARE PACKAGE DETAILS:

M5 Hex key



B*1pcs

M8*12mm set screw

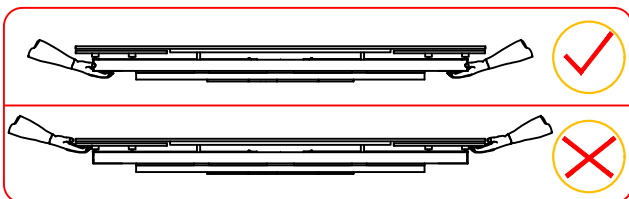
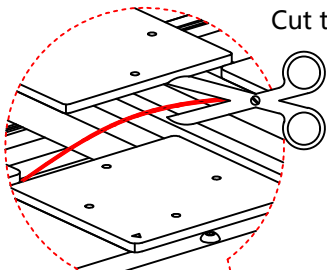


C*16pcs

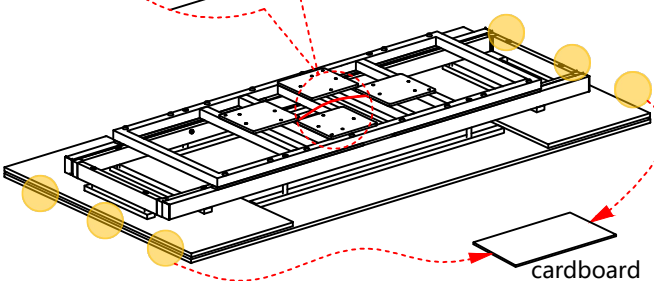
ASSEMBLY INSTRUCTIONS

No 1 step

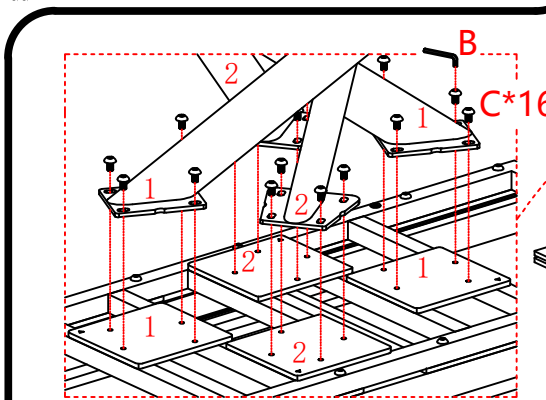
Cut the rope.



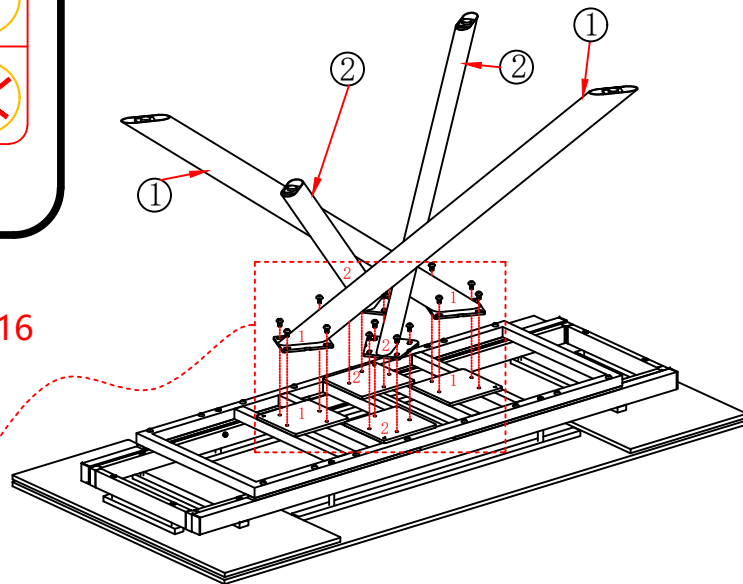
Do not lift from table top,
Only lift from underneath metal frame



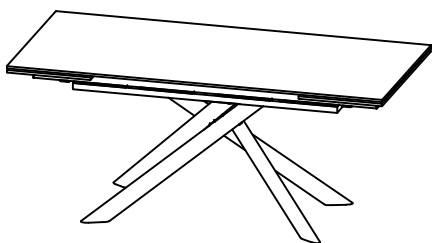
Take out the six pieces of cardboard between the large and small boards on each side.



No 2 step

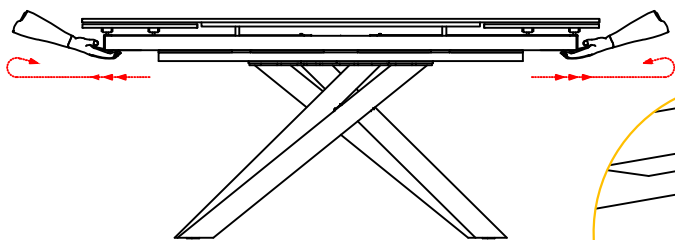


No 3 step / Finished



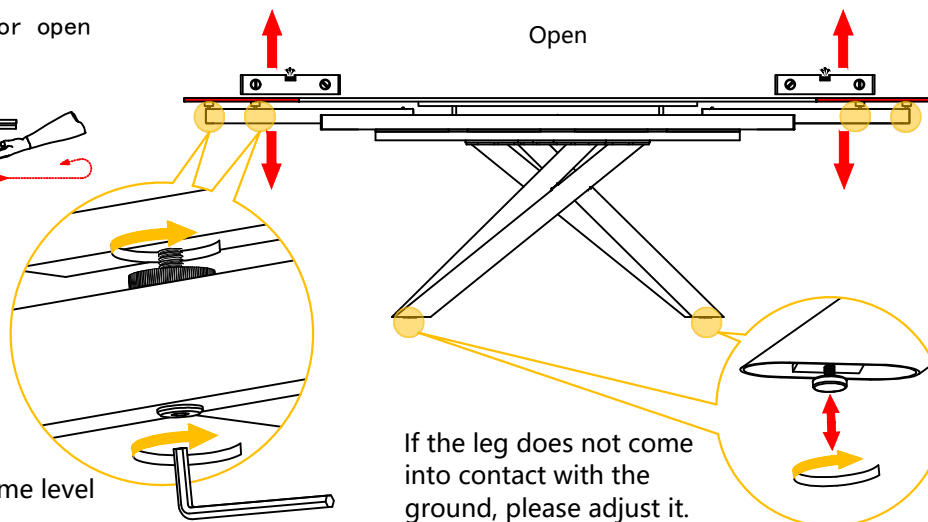
Instruction

As below arrows ring, pull for open and push for close.



Close

adjust the panel at the same level



Open

If the leg does not come into contact with the ground, please adjust it.

● Notice: Before opening the package, prepare the ground for scratch prevention, such as thick paper. ● 2. Please following this diagram to installation.