

# Parts List

## BED CARTON

- (7) HEADBOARD PANEL
- (8) FOOTBOARD PANEL

HARDWARE BAG FOR BED TO ATTACHMENT FRAME

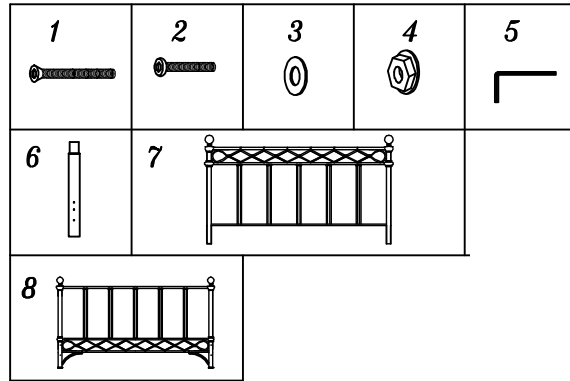
- (1) 1/4-20 2 1/8" COUNTERSUNK ALLEN HEAD SCREW -4
- (2) 1/4-20 1" FLAT ALLEN HEAD ALLEN HEAD SCREW -4
- (3) 5/8" OD FLAT WASHER-8
- (4) 1/4-20 HEX NUTS-4
- (5) ALLEN WRENCH-1
- (6) LEG EXTENSION -2

## HEADBOARD CARTON

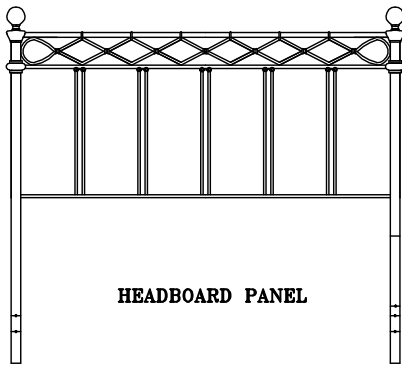
- (7) HEADBOARD PANEL

HARDWARE BAG FOR HEADBOARD TO ATTACHMENT FRAME

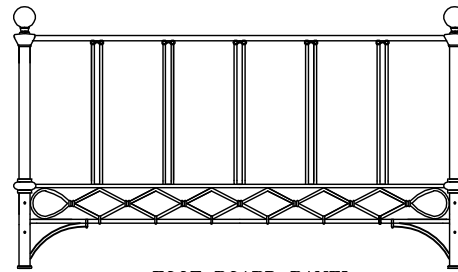
- (1) 1/4-20 2 1/8" COUNTERSUNK ALLEN HEAD SCREW -4
- (3) 5/8" OD FLAT WASHER-4
- (4) 1/4-20 HEX NUTS-4
- (5) ALLEN WRENCH-1
- (6) LEG EXTENSION -2



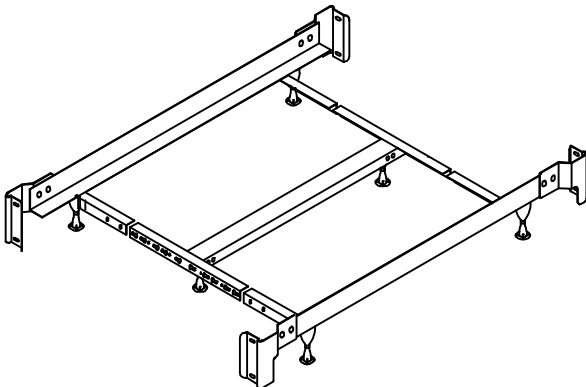
## PRODUCT FULLY ASSEMBLED



HEADBOARD PANEL

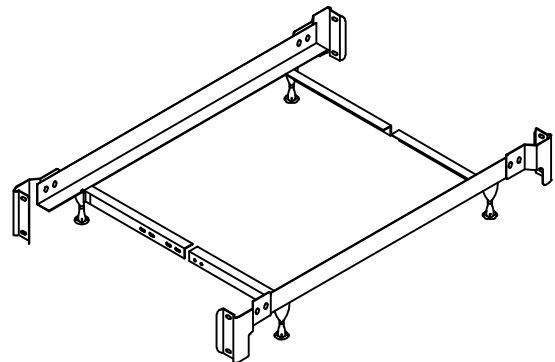


FOOT BOARD PANEL



QUEEN - KING FRAME FULLY ASSEMBLED

NOTE: SEE INSTRUCTIONS INCLUDED IN FRAME CARTON FOR FRAME ASSEMBLY



TWIN - FULL FRAME FULLY ASSEMBLED

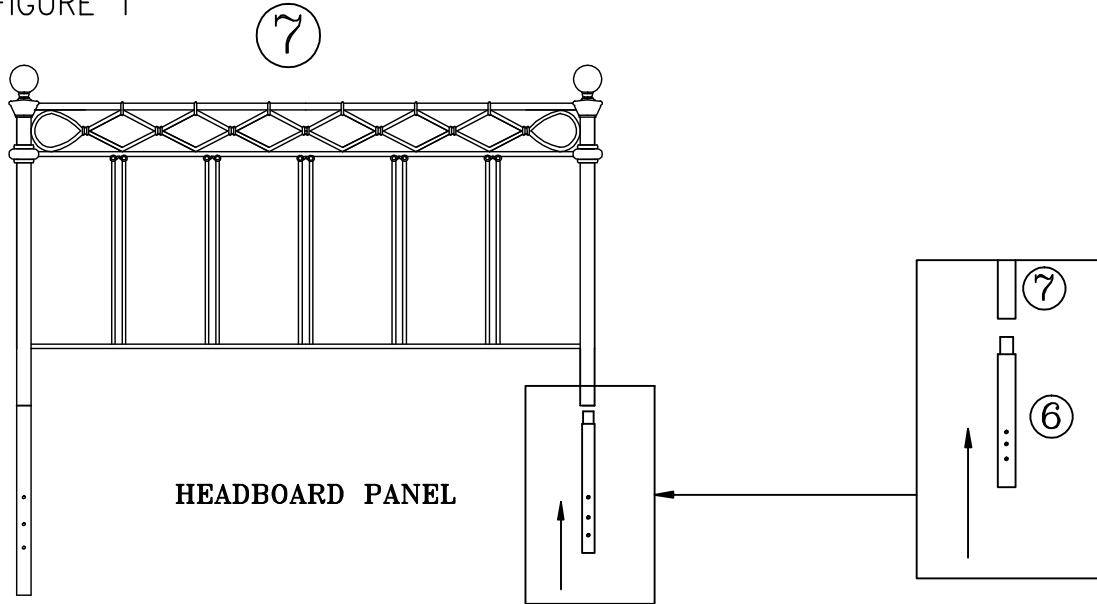
NOTE: SEE INSTRUCTIONS INCLUDED IN FRAME CARTON FOR FRAME ASSEMBLY

FOR ASSISTANCE IN ASSEMBLY ONLY OF THIS PRODUCT. CALL OUR HELP DESK AT . PLEASE HAVE THE STYLE NUMBER AVAILABLE BEFORE YOU CALL. (STYLE # OR NAME CAN BE FOUND ON PACKING CARTON OR SALES RECEIPT.) OUR PRODUCT IS INSPECTED TO ENSURE IT IS IN GOOD CONDITION. IF YOUR FURNITURE APPEARS TO HAVE BEEN DAMAGED IN SHIPMENT OR YOU ARE IN NEED OF REPLACEMENT PARTS PLEASE CONTACT THE DEALER FROM WHOM YOU PURCHASED THE PRODUCT.

# Instruction Sheet

SAVE ALL PACKAGING MATERIALS UNTIL PRODUCT IS FULLY ASSEMBLED. HARDWARE AND SMALL PIECES MAY NOT BE SEEN AND BE ACCIDENTALLY DISCARDED WITH PACKAGING MATERIALS.

FIGURE 1



HEADBOARD PANEL

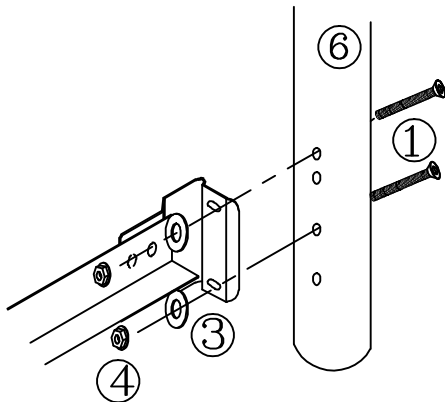


FIGURE 2

## Step 1

- Align top reduction of extension legs (6) with bottom of headboard posts (7). (See Figure 1) Make sure the 3 holes on extension legs are perpendicular to headboard panel.
- Now carefully insert extension legs (6) into bottom of headboard (7) posts.

## Step 2

- Place headboard panel and frame in desired location in room.
- Place 2 screws (1) through holes located in leg (6). (See Figure 2)
- Align bed frame bracket over screws.
- Place a flat washer (3) first over the screw (1) then a hex nut (4) on each screw (1). Hand-tighten, DO NOT TIGHTEN screws all the way.
- Repeat on other side of headboard.
- Tighten all screws securely using the Allen wrench (5).

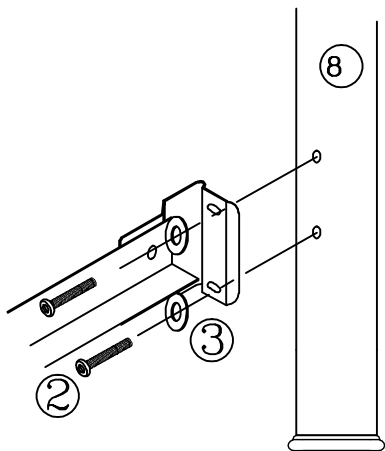


FIGURE 3

## Step 3

- Position foot board panel (8) and align holes in the post with holes in the frame bracket. (See figure 3)
- Place washer (3) over on each screw (2). Insert through bracket and into foot board post (8). Hand-tighten DO NOT TIGHTEN screws all the way figure 3)
- Repeat on other side of foot board panel.
- Tighten all screws securely using the Allen wrench (5).