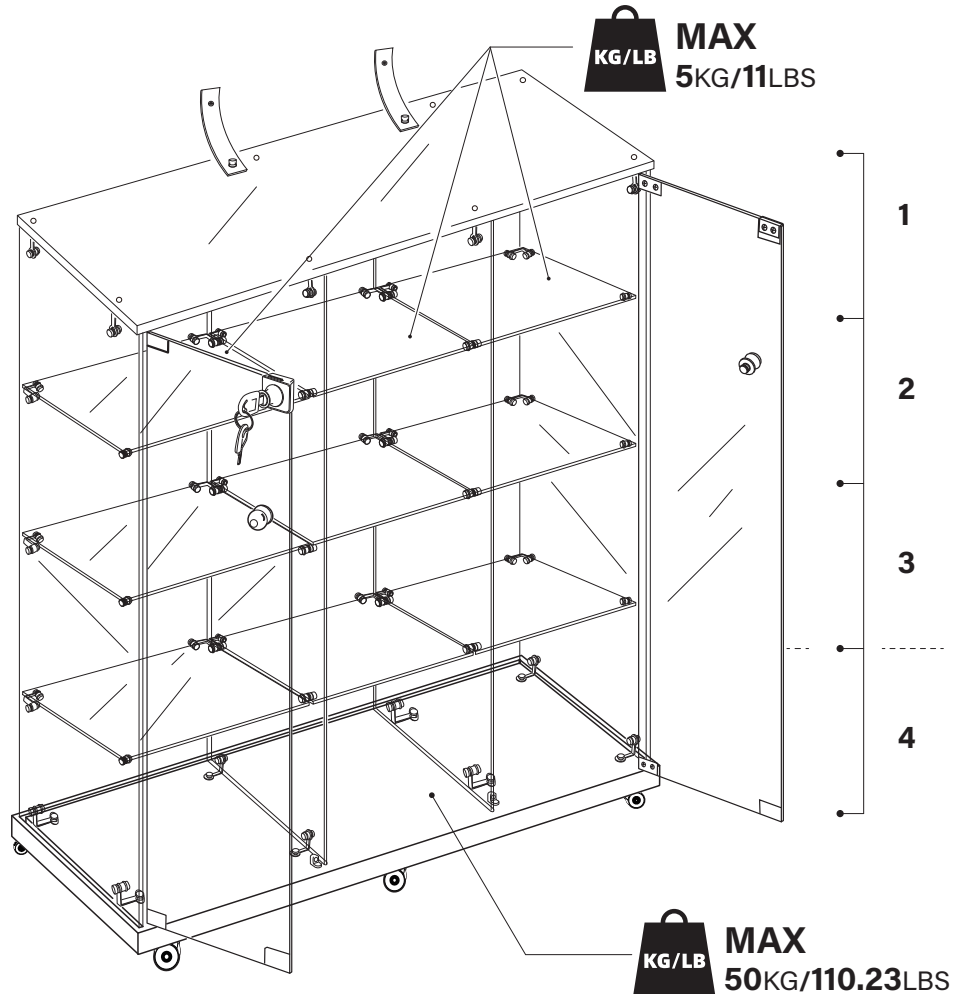
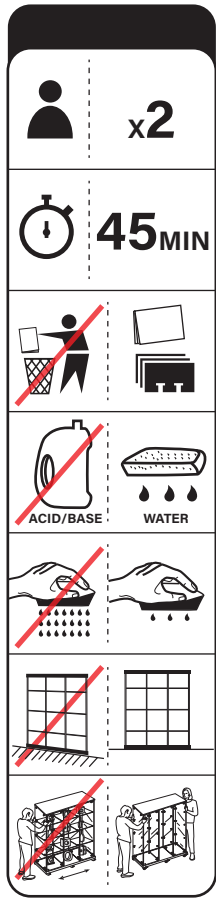
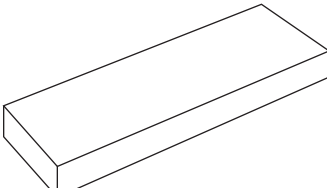
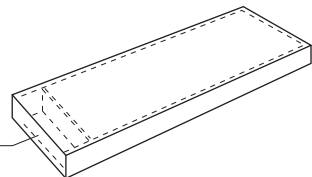


DOUBLE DOOR

Four-layer tempered glass cabinet

Tempered glass top plate



PACKING A 	PACKING B  Accessory Package
<ul style="list-style-type: none"> 2 1576*345mm / Side glass / X4 3 1558*387mm / Door glass / X2 1 1576*390mm / Back glass / X3 	<ul style="list-style-type: none"> 4 385*315mm / Shelf glass / X9 6 1212*370mm / bottom panel / X1 5 1212*370mm / Top glass / X1

ENGLISH

GOOD TO KNOW ABOUT TEMPERED GLASS

IMPORTANT :

HANDLE WITH CARE! A DAMAGED EDGE OR SCRATCHED SURFACE CAN IN EXCEPTIONAL CASES CAUSE THE GLASS TO CRACK SUDDENLY. HOWEVER, NEVER INTO SHARP FRAGMENTS, ONLY INTO SMALL PIECES. AVOID COLLISIONS FROM THE SIDE – THIS IS THE MOST FRAGILE PART OF THE GLASS.

WARNING

FURNITURE TIPPING-OVER COULD RESULT IN INJURY OR DEATH TO THE INSTALLER.

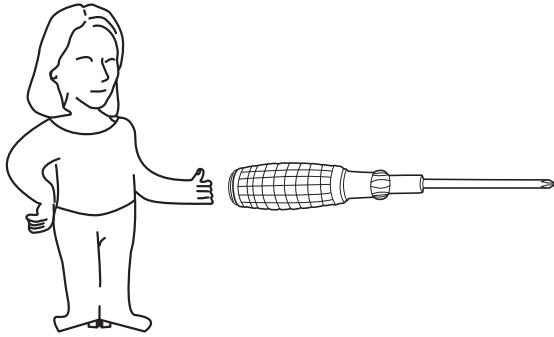
ALWAYS SECURE THIS PRODUCT PERMANENTLY TO THE WALL.



The only wall mount included in the package is suitable for wooden walls or other solid walls.

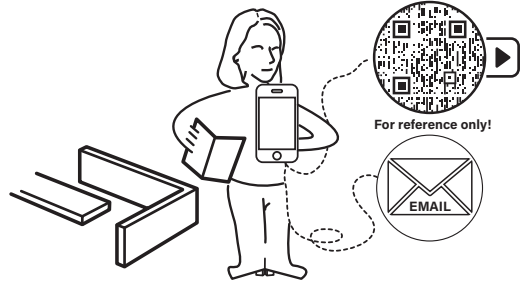
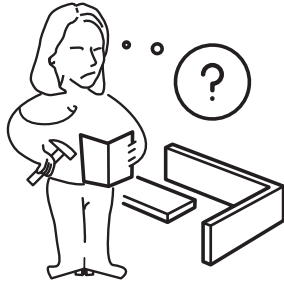
For wooden walls, please only use the screws, the included plastic screw accessory is only an option. For hard walls, please drill holes with a hammer and then insert the screws and plastic accessories. The included wall mount is not suitable for walls with weak holding force, such as plasterboard. To attach this product to the plasterboard, please make sure the screws are securely fastened to the keel. Please choose the proper safety devices according to the type of wall in your house.

1. Tempered glass has a 0.3% risk of self-explosion. In case of such an accident, please contact us and we will replace the damaged glass. During installation, please wear gloves, long-sleeved shirts, pants and socks to avoid possible injury.
2. To avoid possible accidents, please keep children away during installation. Please make sure that the installation is done by two adults.
3. During installation, use cardboard or carpet as a buffer layer to prevent the glass corner from colliding with hard objects such as the floor. Especially when installing tempered glass, make sure the corners do not hit the floor to prevent the tempered glass from exploding due to force changes.
4. When installing a display case, install the anti-tilt device first to avoid possible serious or fatal injury. To prevent possible tipping over, the display case must be permanently attached to the wall. Wall mounting is not limited to the fixtures we offer. You are free to install similar fixtures to avoid possible hazards.
5. DO NOT operate the cabinet door frequently, and DO NOT shake the cabinet to avoid the risk of colliding with the cabinet door or dropping objects. Again, install an anti-tipping device and keep children away (at least 2 meters/6.6 feet away) from this display case. Please also install a door lock to avoid possible injury from accidental operation by children.
6. The top/bottom panel of this cabinet is made of MFC/PVC-covered particle board, which is not fireproof.
7. For disposal, please contact the relevant local authorities or qualified companies.
8. The product is a partially transparent tempered glass display case, it is not fully transparent. After installation, the distance may be different due to the different fixing forces.
9. No part of this product can be swallowed, played with, or used for other purposes.
10. Please adjust the footrest on the product after installation. The maximum load of the glass plate is 5.00 kg/11 lbs. Note that the load capacity is for stored items only.
11. Product dimensions may have a tolerance of 10 mm/0.4 inch due to different measuring tools or methods.
12. After installing the cabinet, check and tighten all screws to avoid potential safety hazards, such as shelves falling and cabinet structures becoming loose due to loose screws.

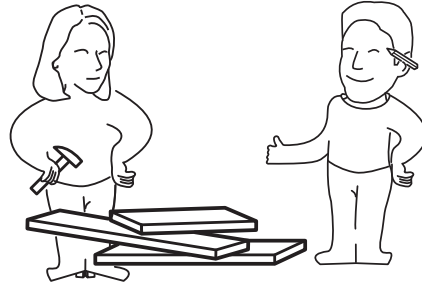
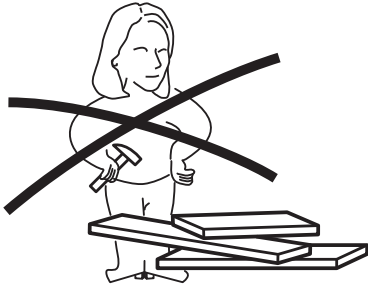


SCALE AND PERSPECTIVE

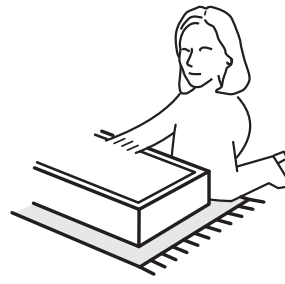
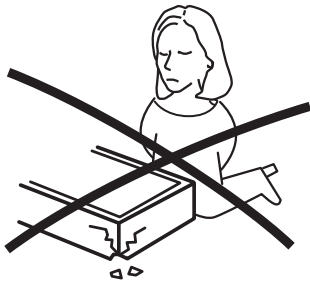
The installation graphics in this installation manual are only for illustration purposes and are not drawn at a 1:1 equal scale. The perspective angle is a multi-angle perspective, and some graphics are drawn using the principle of scatter perspective in order to highlight the key points !



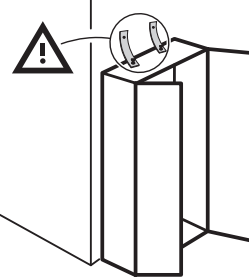
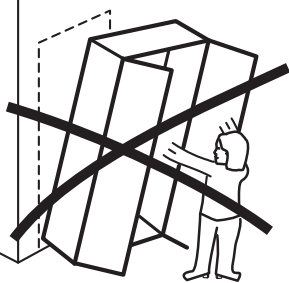
IF YOU ENCOUNTER ANY QUESTIONS DURING INSTALLATION, PLEASE WATCH THE VIDEO OR EMAIL FOR A CONSULTATION!



CANNOT BE INSTALLED BY ONLY ONE PERSON!



NOT TO BE INSTALLED ON HARD GROUND! PLEASE USE CARDBOARD OR CARPET AS A BUFFER LAYER DURING THE INSTALLATION!

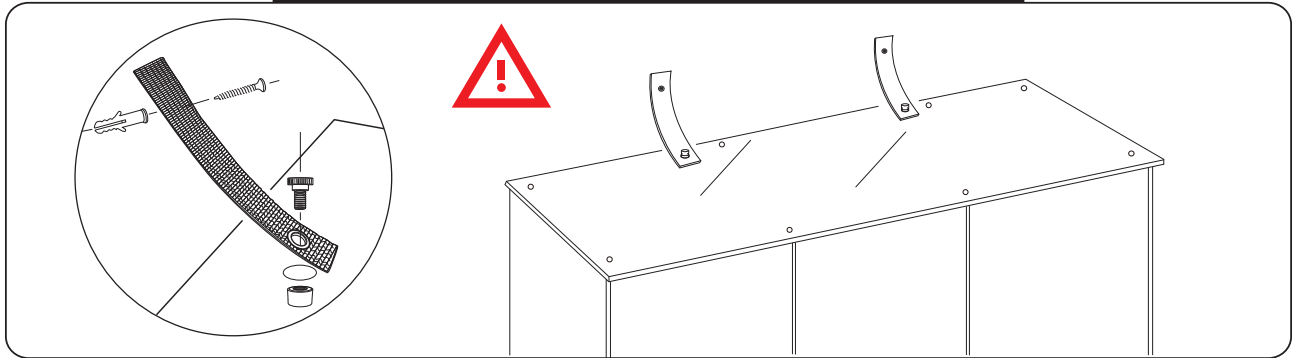


TO PREVENT TIPPING HAZARDS AND LOSSES, PLEASE BE SURE TO INSTALL ANTI-TIPPING DEVICES!



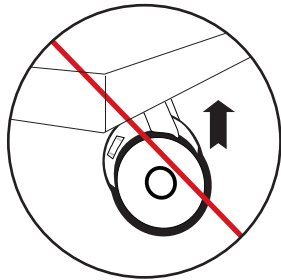
- ALWAYS secure it with an anchor device.
- NEVER allow children to stand, climb, or hang on doors and shelves.
- Place heavy items down low.

Please be sure to install a fall protection device

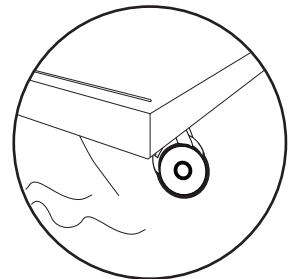


Footing movement instructions

Lift the restriction valve before moving!

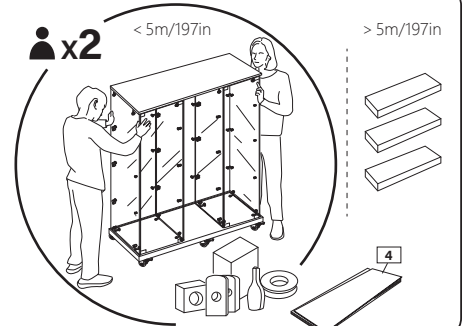
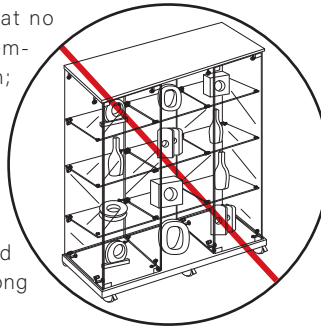


Adjustable floor feet are strictly prohibited from moving long distances or frequent activities!

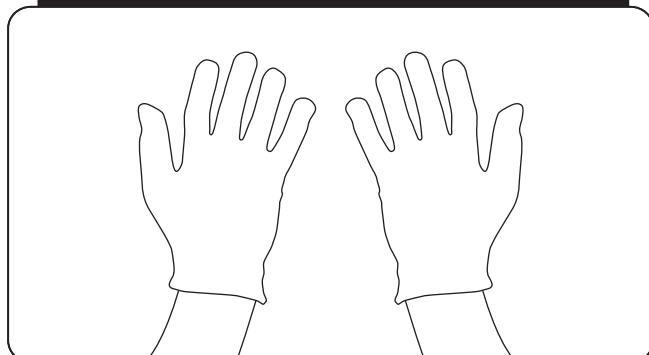


Cabinet movement instructions

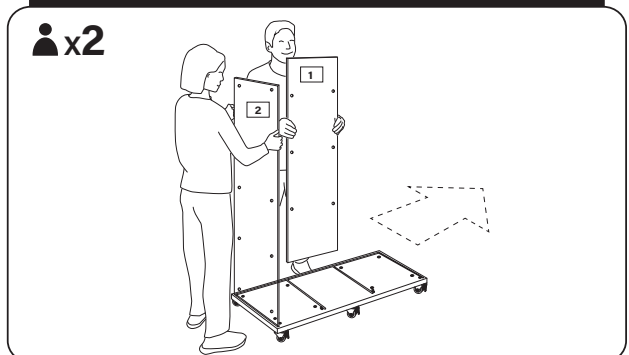
Before moving the cabinet, please ensure that no objects are placed on the shelf; Remove the tempered glass shelf and put it in a safe location; Check the door lock to ensure that the tempered glass door is closed; Items inside the cabinet are prohibited. Please use two people when moving, it is limited to short distance indoor movement and the movement distance should not exceed 5 meters (<5m/197in); Please completely unpack and protect the glass when moving or moving over long distances!



Please use gloves during installation



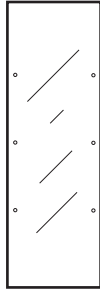
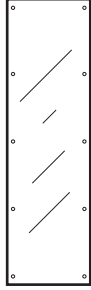
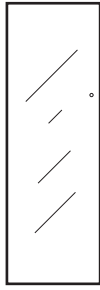
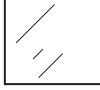
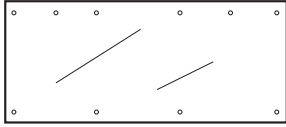



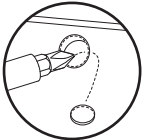
When installing, please start from one side!



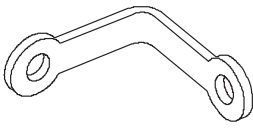
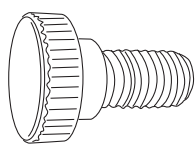
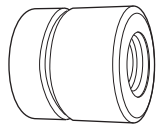

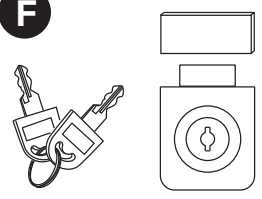

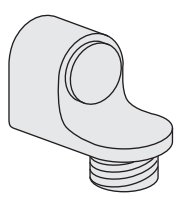
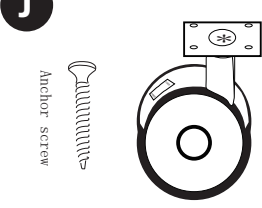
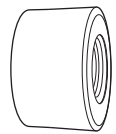
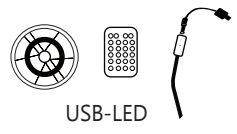
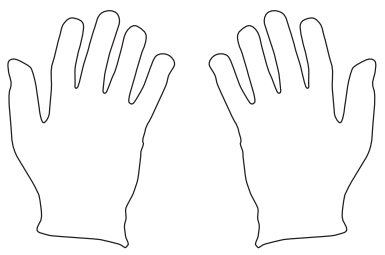
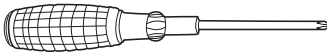
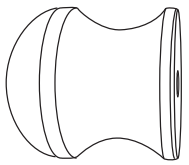
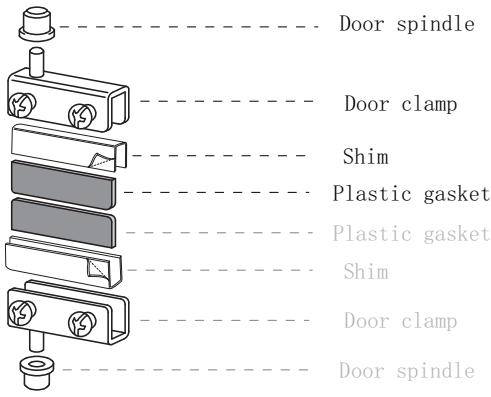
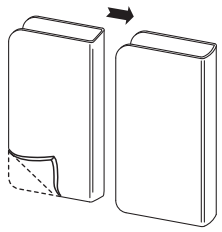
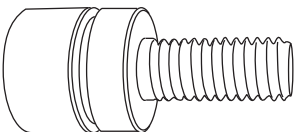
PRODUCT COMPONENT LIST

NO	ASSEMBLY	SIZE	NUMBER	TEXTURE OF MATERIAL
1	Back glass	1576*390mm	3	Tempered glass
2	Side glass	1576*345mm	4	
3	Door glass	1558*387mm	2	
4	Shelf glass	385*315mm	9	
5	Top plate	1212*370mm	1	
6	bottom plate	1212*370mm	1	MFC/PVC edge banding
7	Accessory Package	Various specifications		Various materials

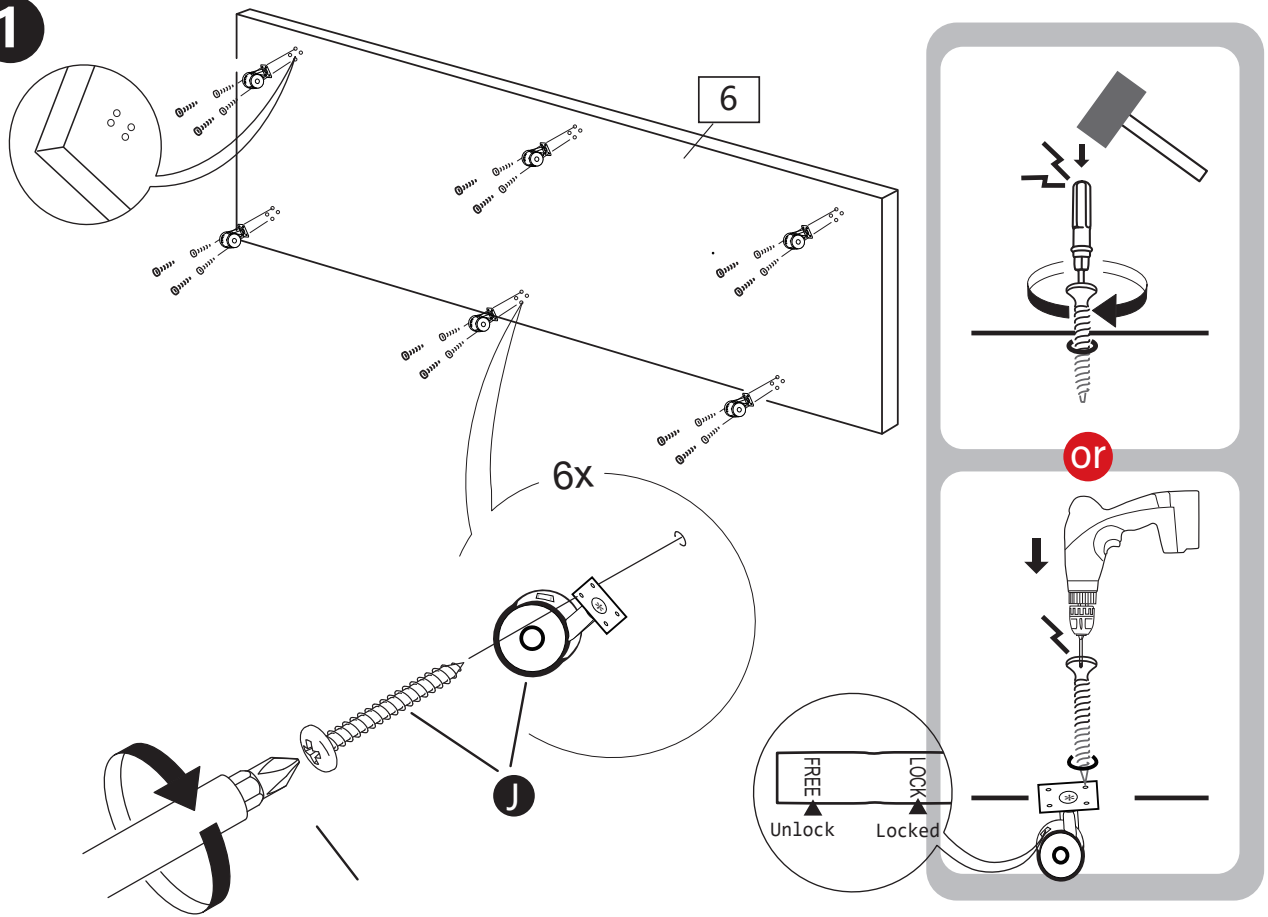
! Product dimensions may have an error with 10mm due to the usage of different measuring tools or methods;
If you find that the number of parts in the kit is not consistent with the manual, the excess number can be used as a backup.

1  1576*390mm	2  1576*345mm	3  1558*387mm	4  385*315mm
Back glass / x3	Side glass / x4	Door glass / x2	Shelf glass / x9
5  1212*370mm	6  1212*370mm	 INSTRUCTIONS FOR USING TEMPERED GLASS HANDLE WITH CARE! EDGE DAMAGE OR SURFACE SCRATCHES CAN CAUSE SUDDEN GLASS BREAKAGE IN EXCEPTIONAL CASES. HOWEVER, IT WILL NEVER BECOME SHARP SHARDS, ONLY BREAKING INTO SMALL PIECES. PLEASE AVOID SIDE IMPACTS - THIS IS THE WEAK POINT OF THE GLASS.	
Top glass / x1	bottom panel / x1	 TIPS: IF SOME OF THE GLASS HOLES ARE NOT OPEN, YOU CAN USE A SCREWDRIVER TO POKE THEM OPEN. 	

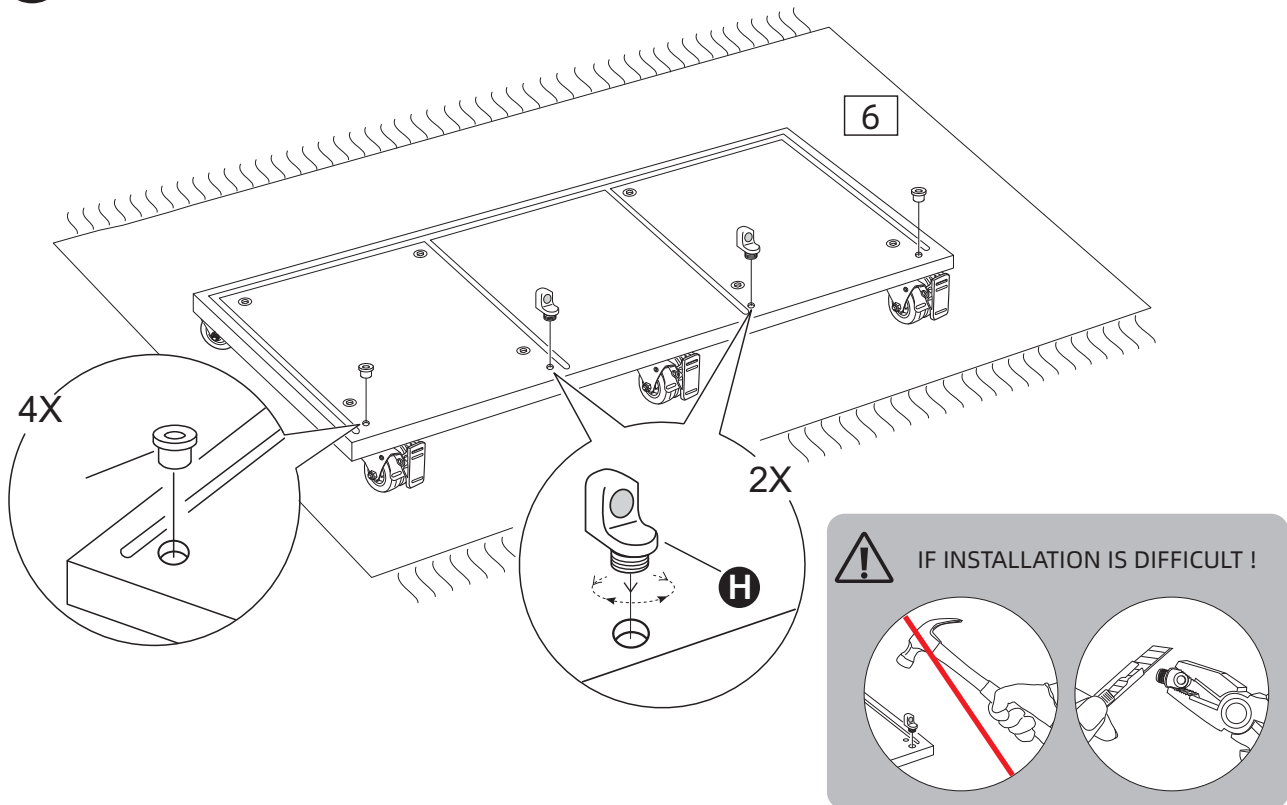
ASSEMBLY PARTS LIST

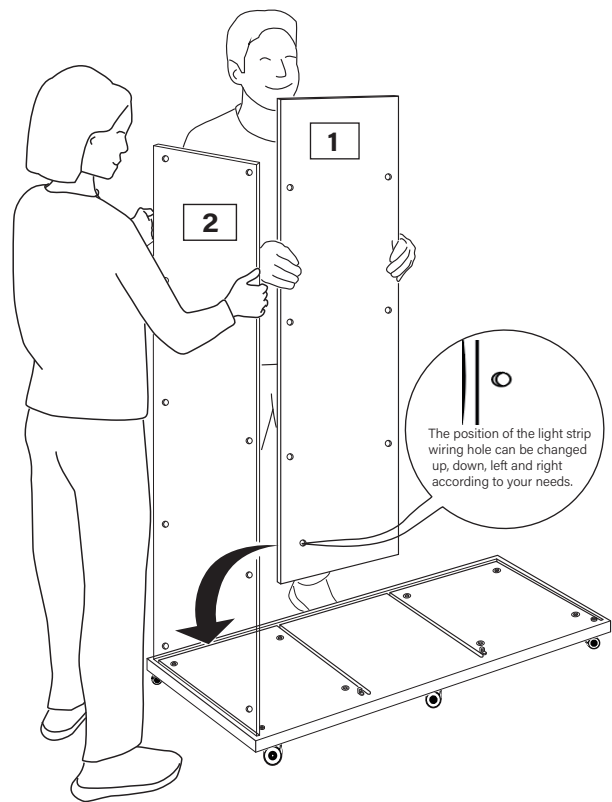
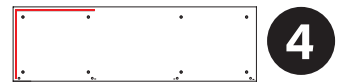
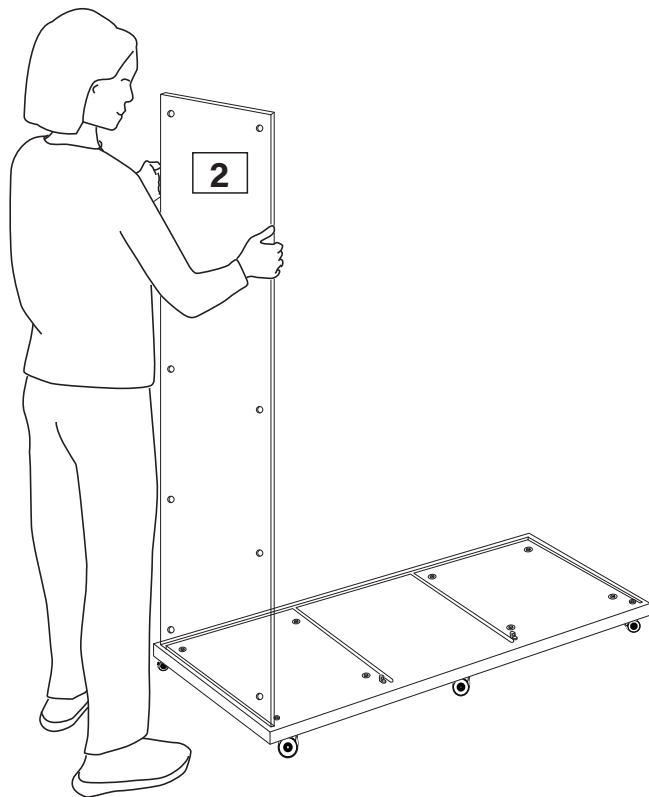
A	B	C	D
			
ConnectorA / x18	ConnectorB / x16	Screw / x66	Nut / x42
E	F	G	H
			
Gasket(white) / x138	lock / x2	Washer(black) / x54	Door stopper / x2
I	J	O	Q
			
Anti-tipping device / x2	Omniwheel / x6	Short nut / x26	Bluetooth LED / x2
K	L	M	
			
Glove / x2	Screwdriver / x1	Door stopper / x2	
N	W	P	
			
Door clip set / x2	Horn guard / x2	Screw / x12	

1

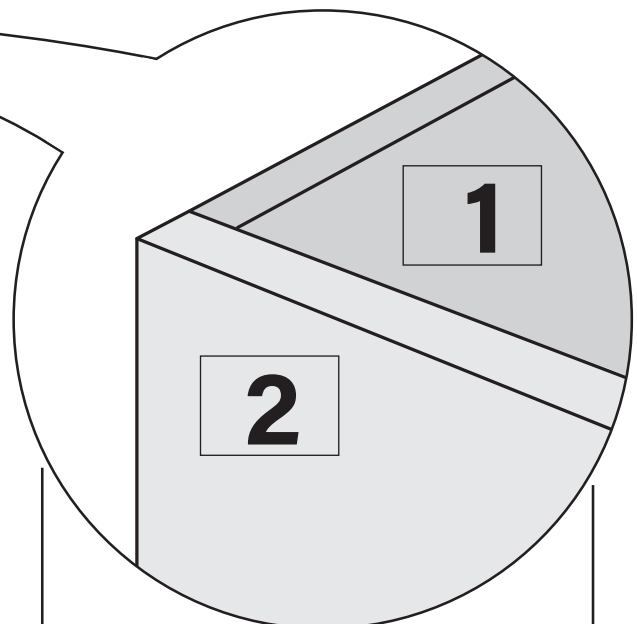
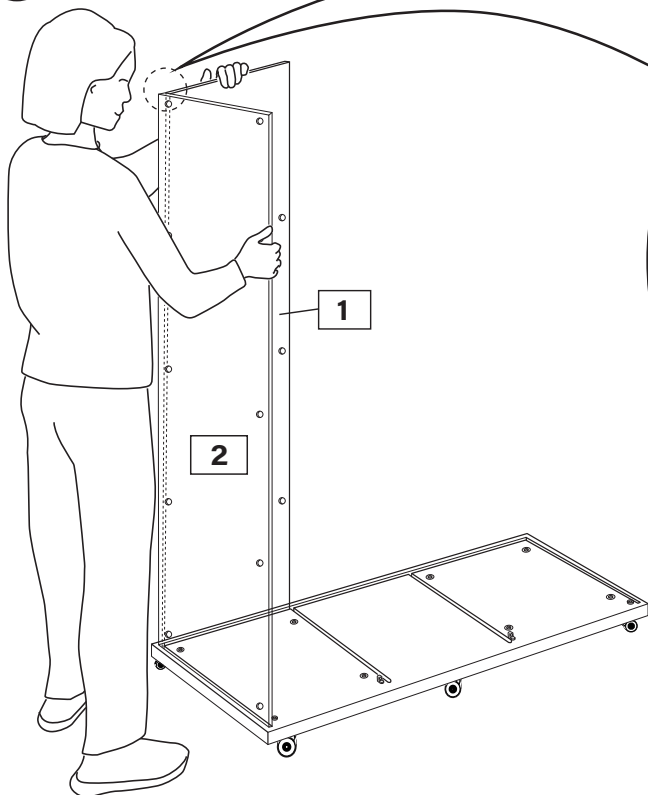


2

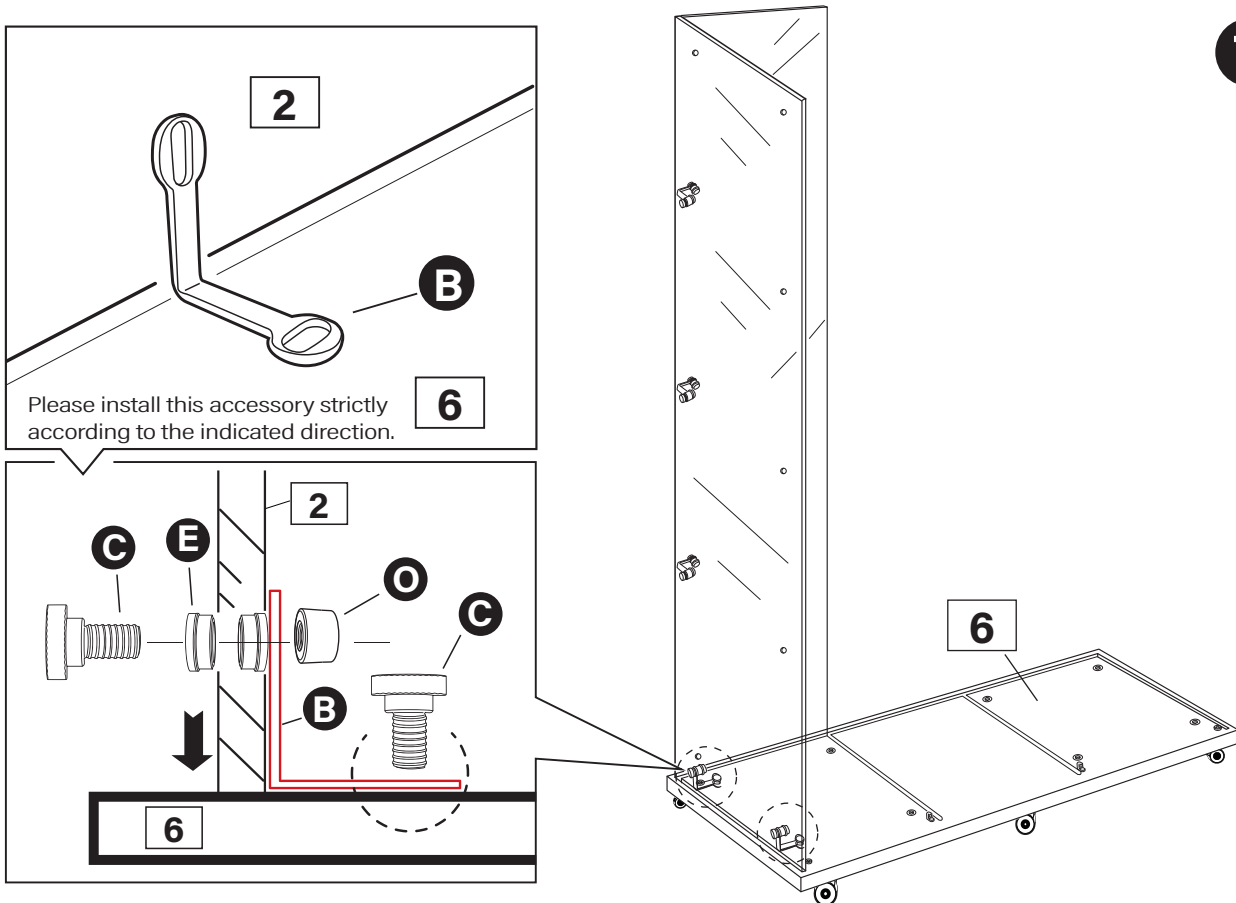
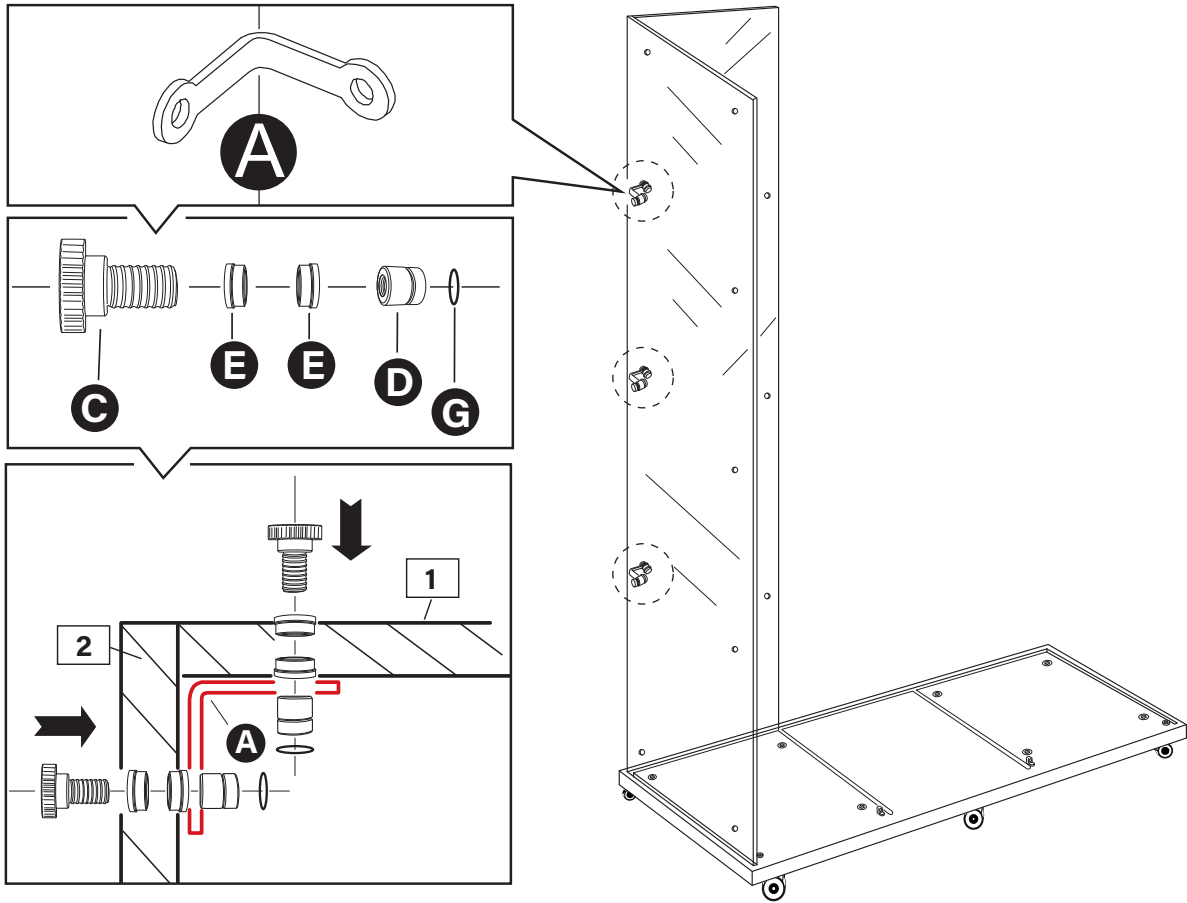




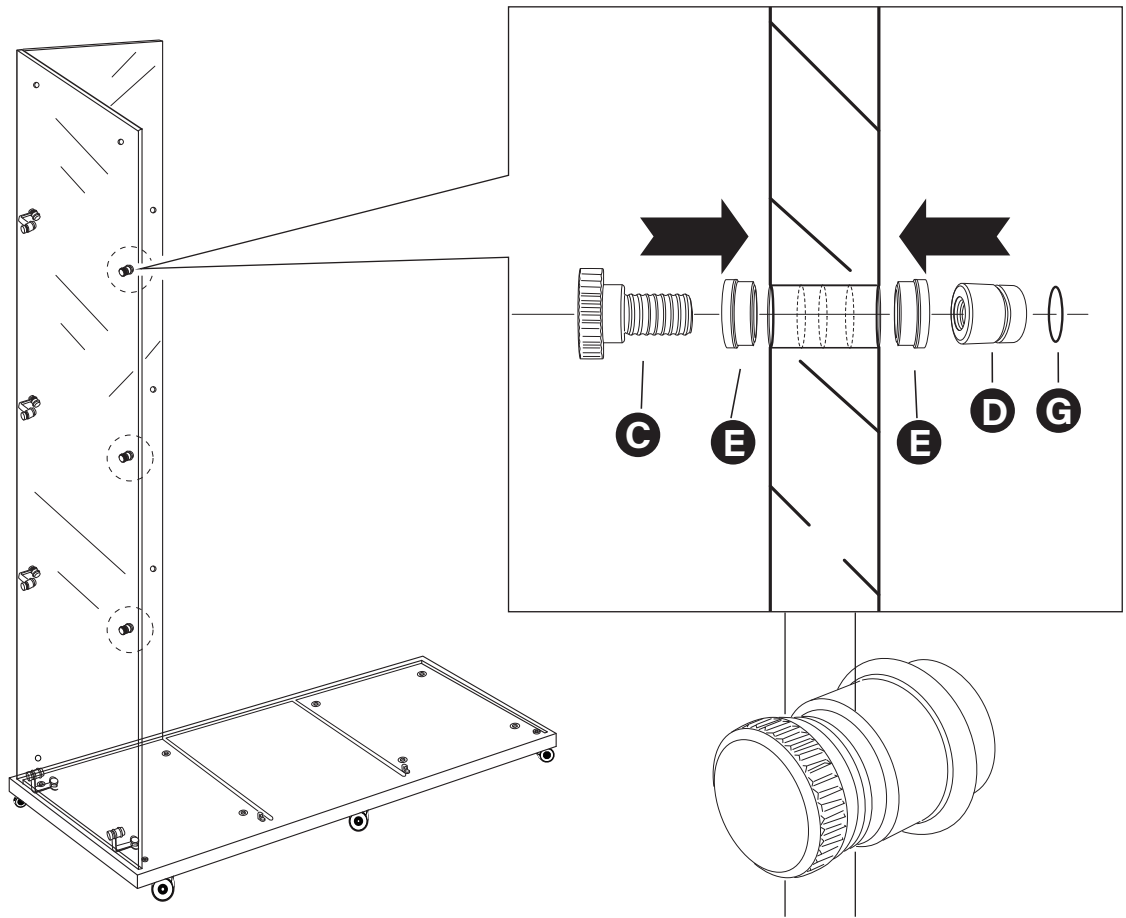
5



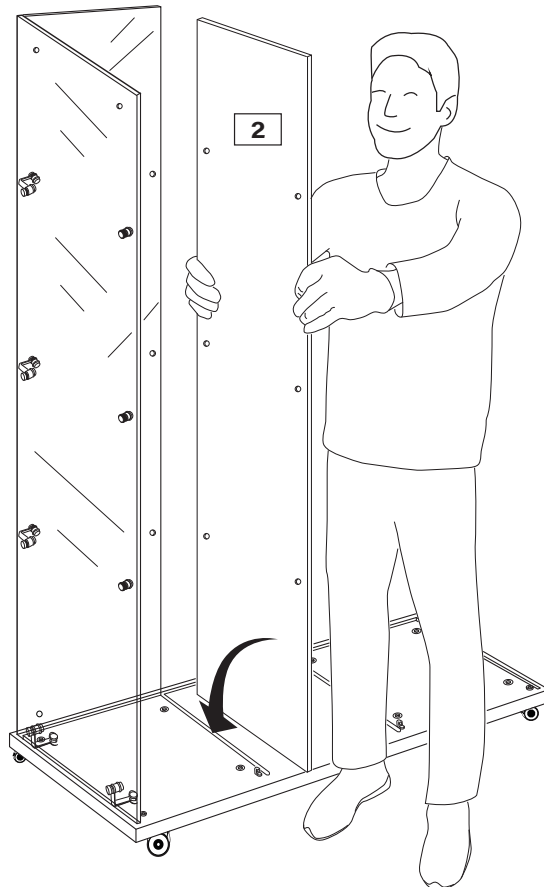
- When installing, please start from one side;
- The installation sequence of tempered glass is 2-1-2-1-2-1-2;
- please fill the bottom plate slot with tempered glass No.2 and push it to the innermost position;



8



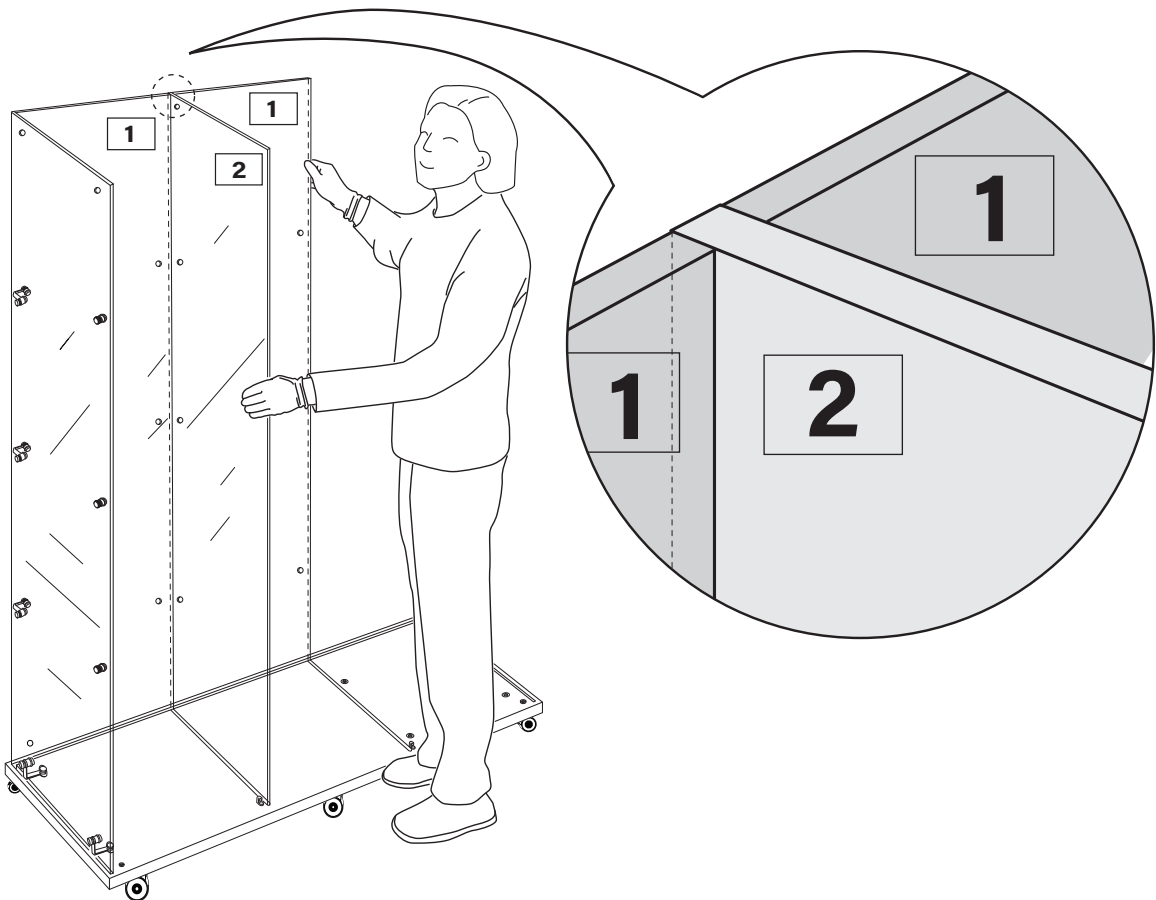
9



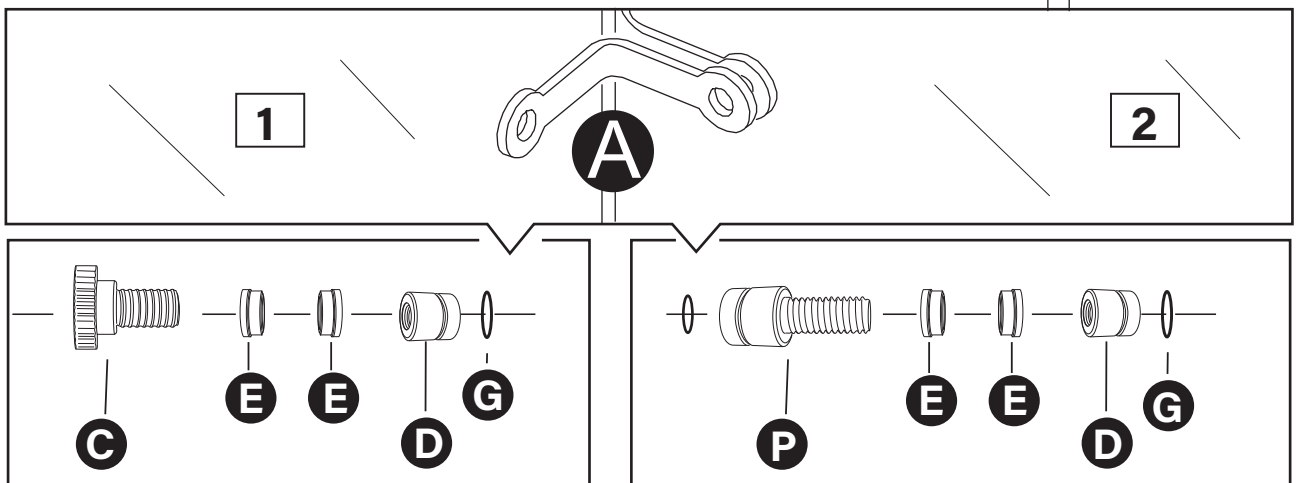
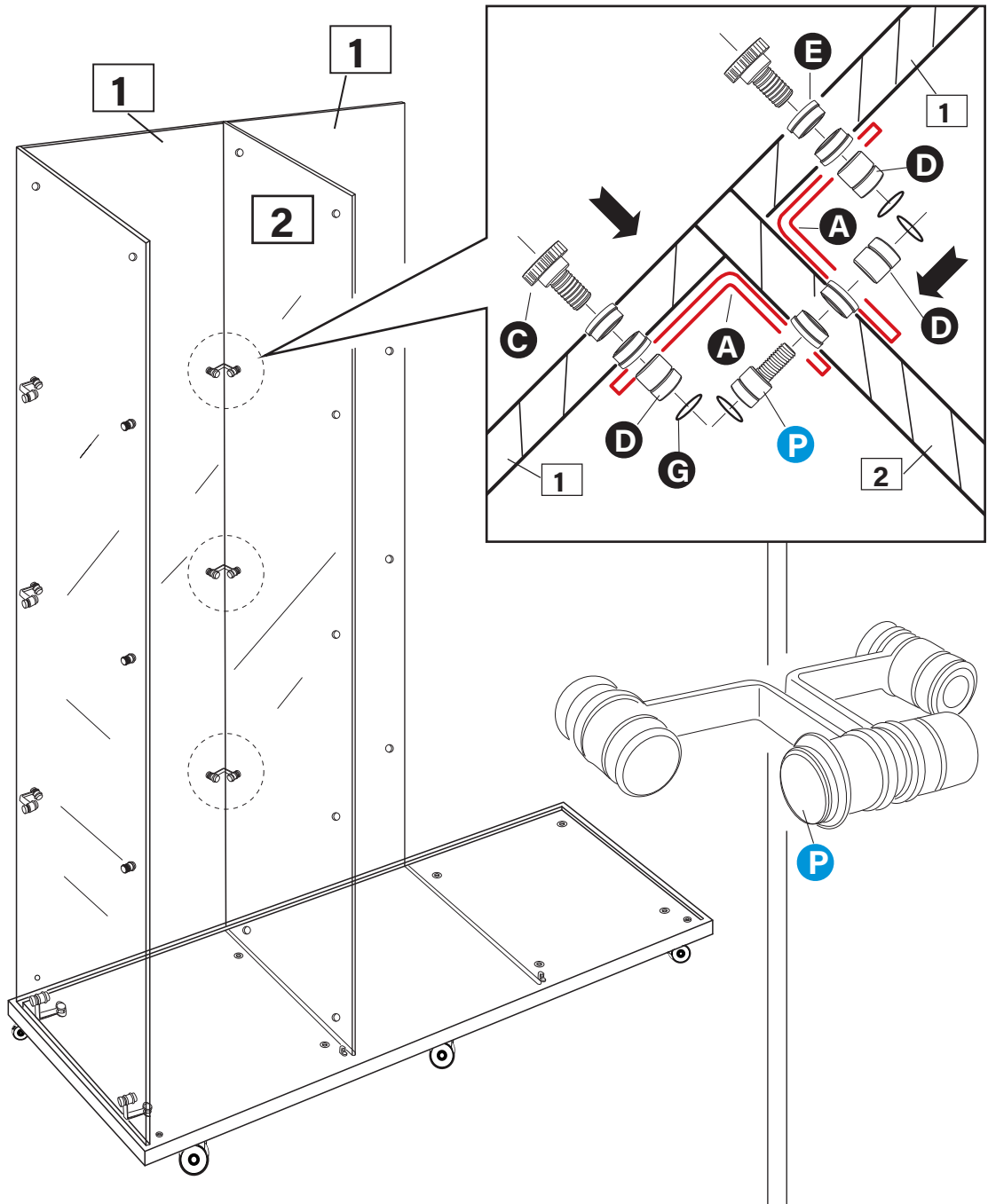
10



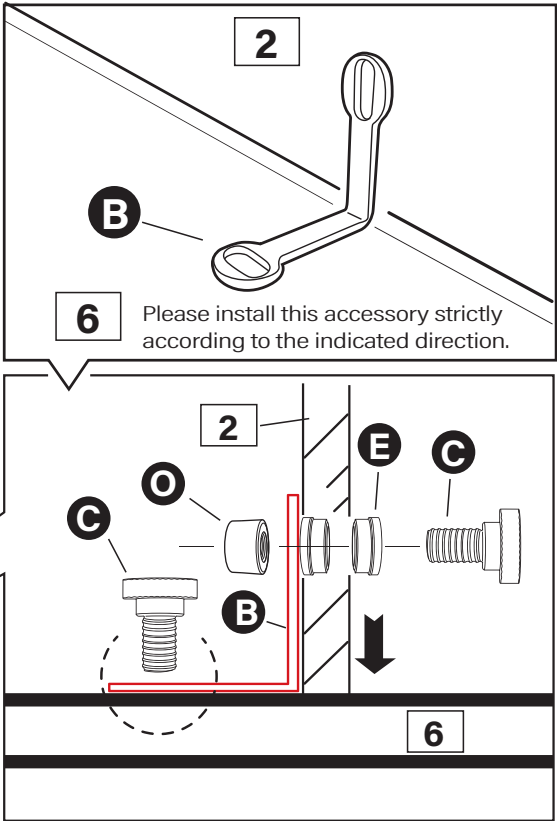
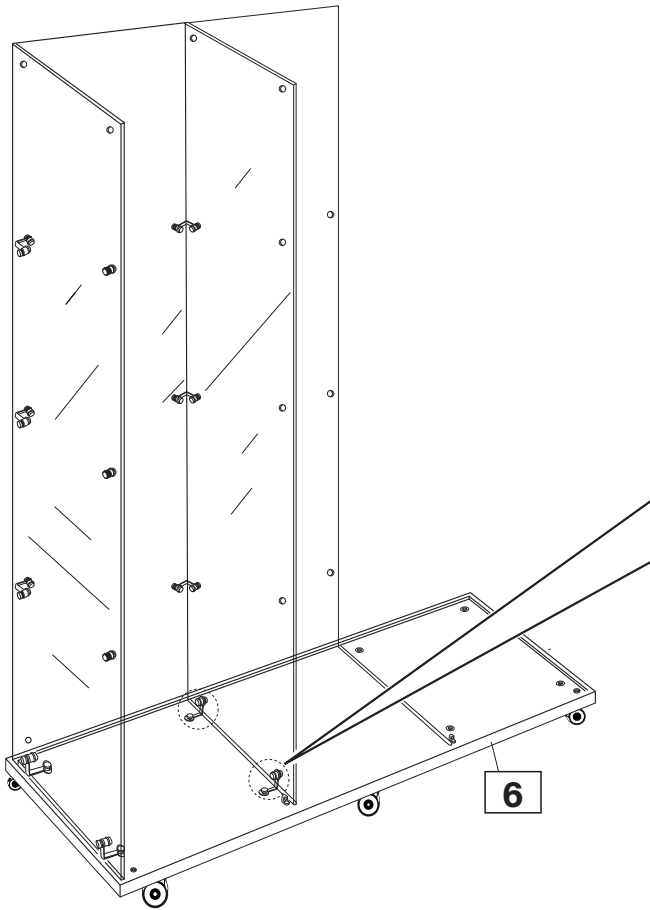
11



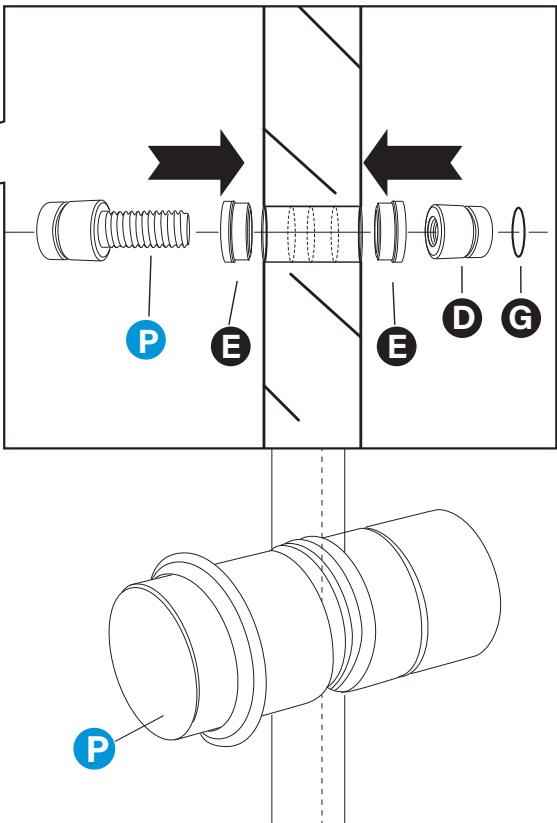
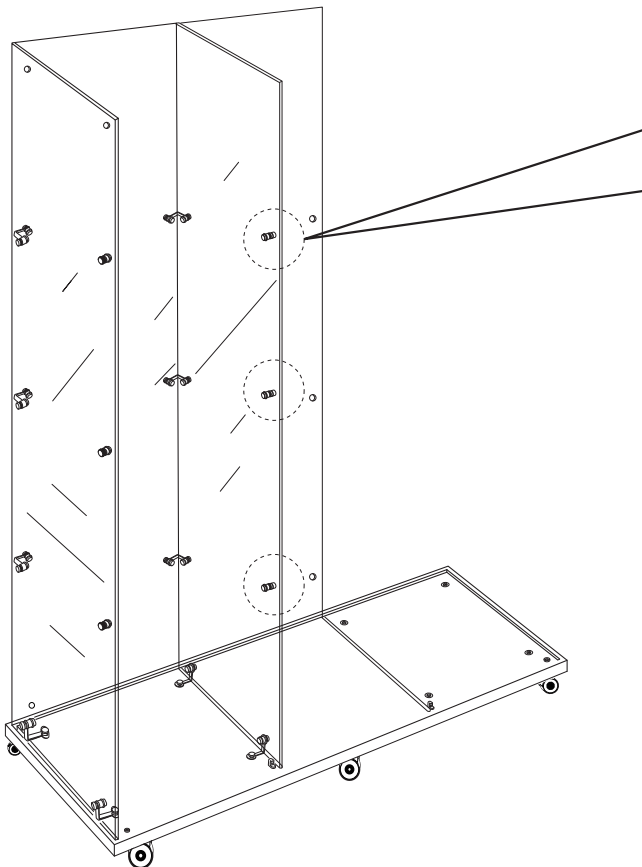
12



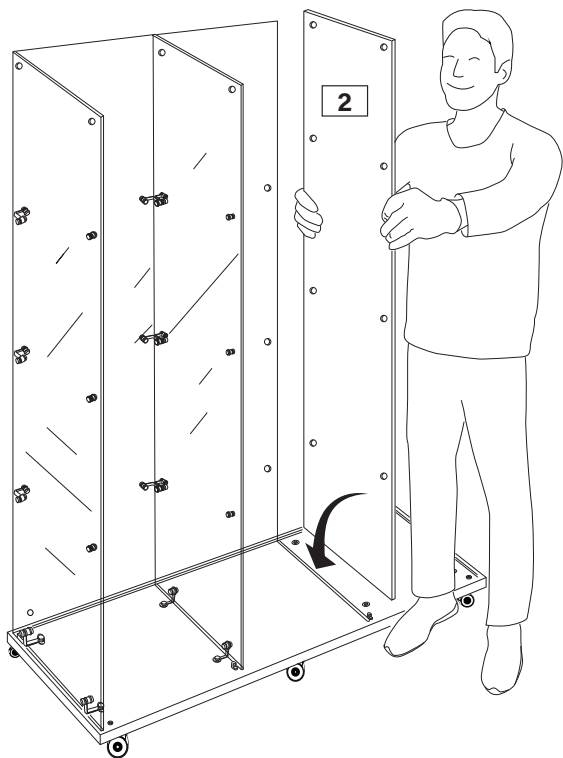
13



14



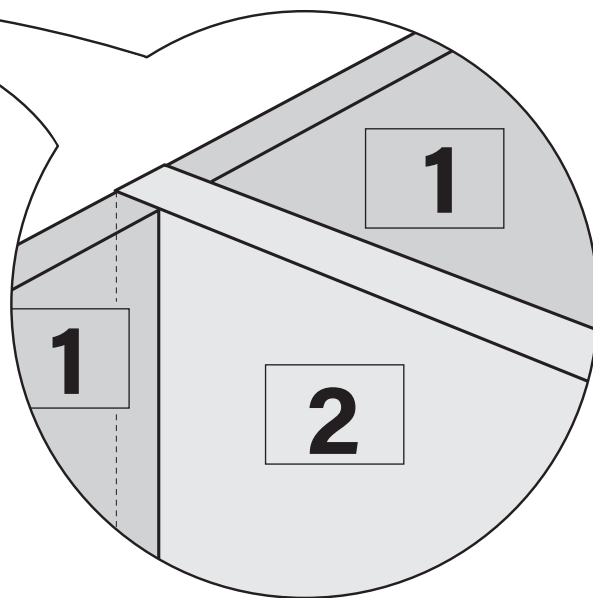
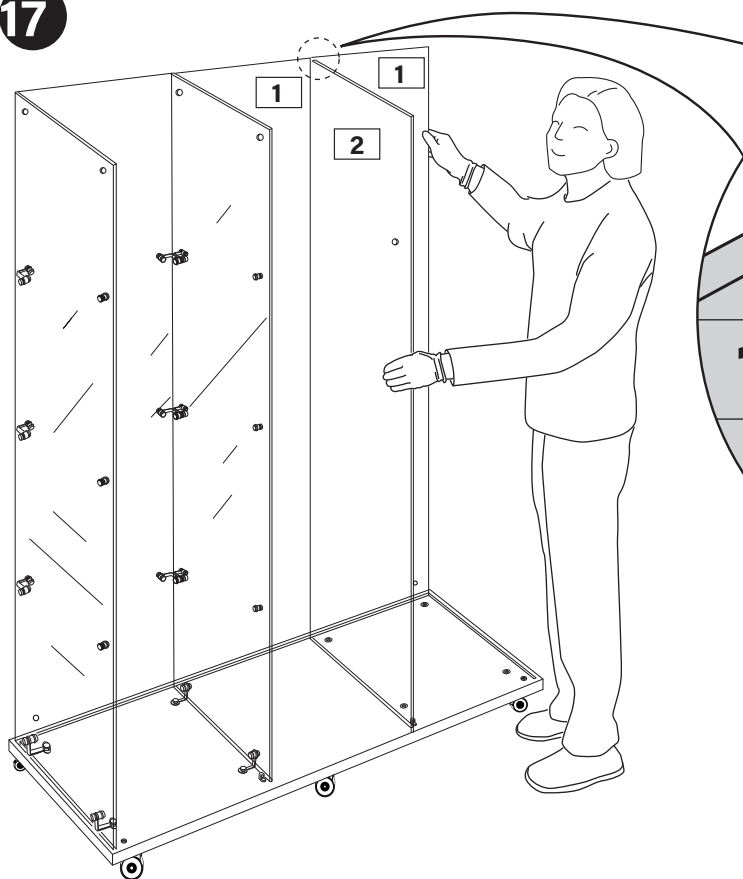
15



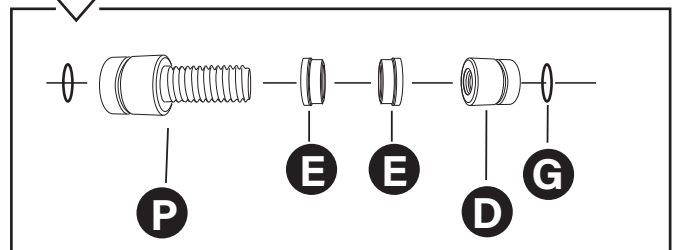
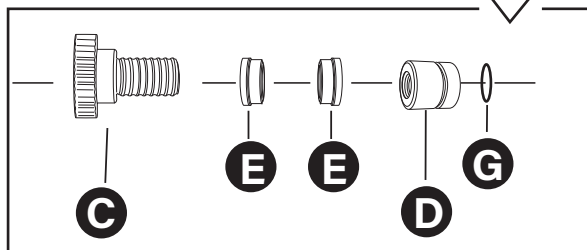
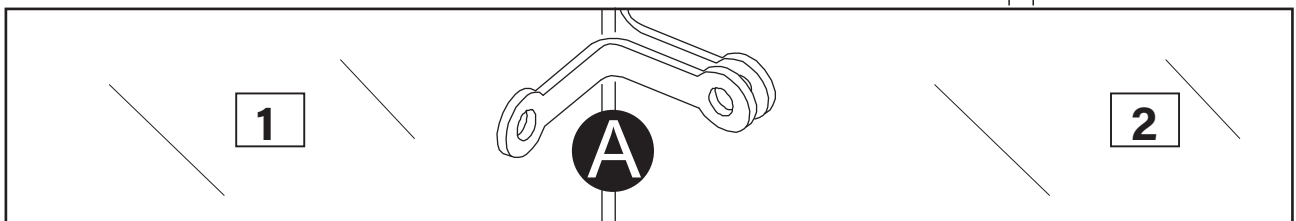
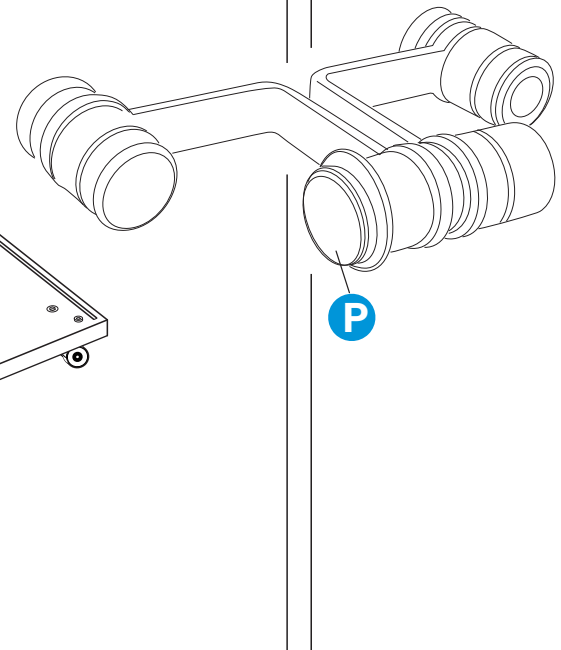
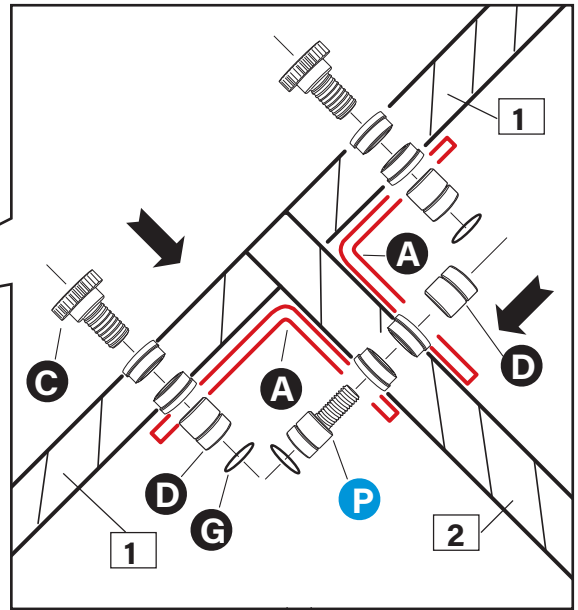
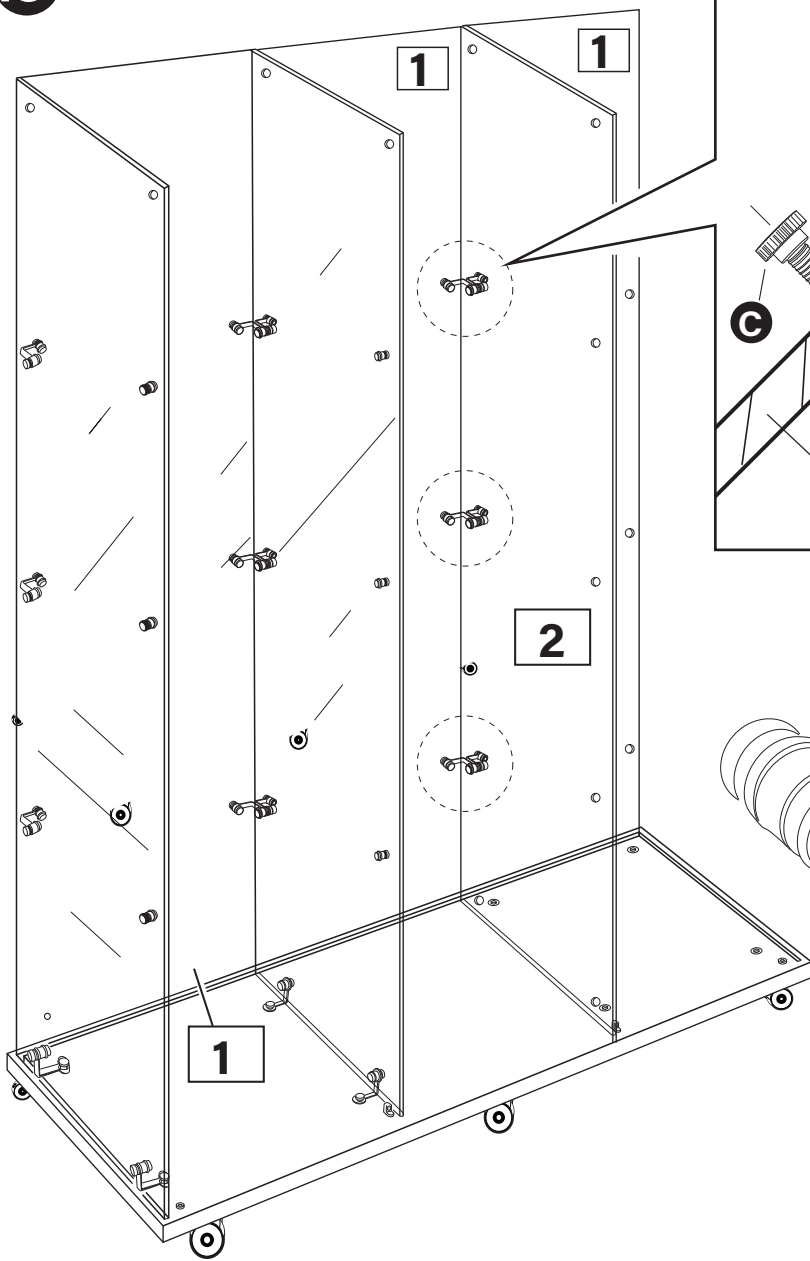
16



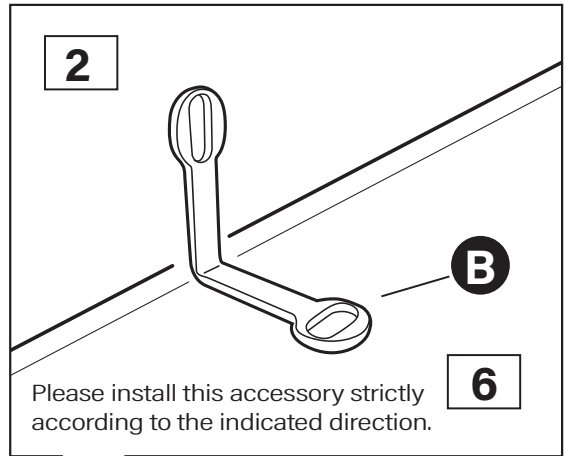
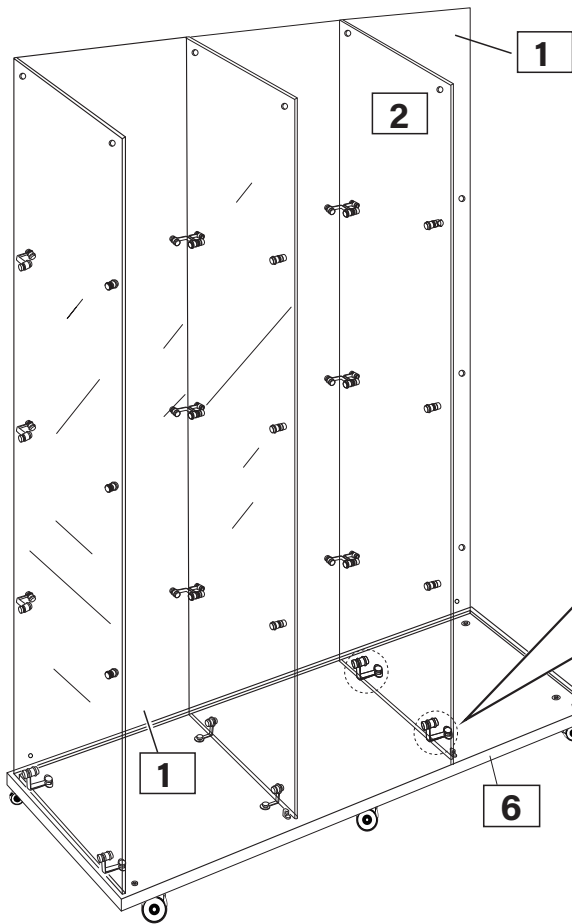
17



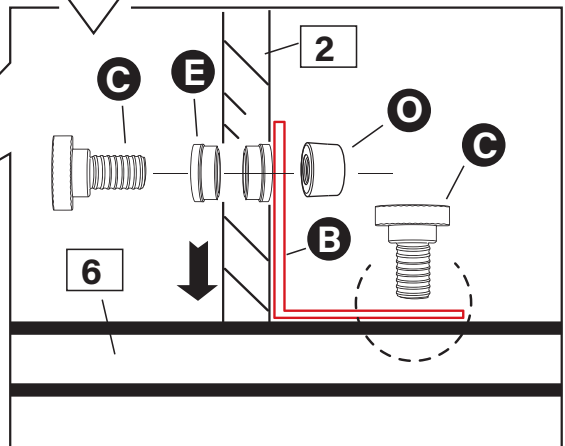
18



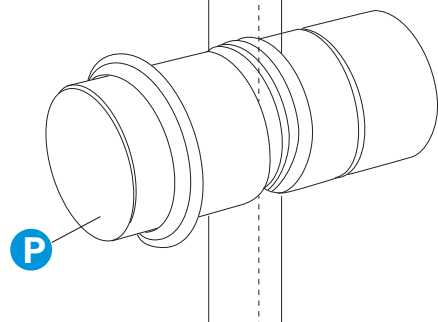
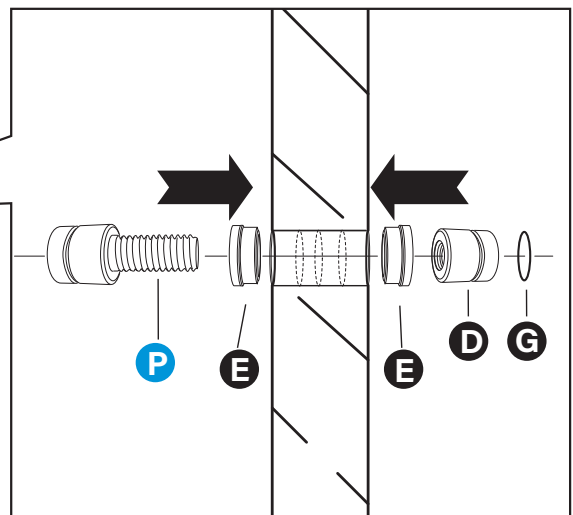
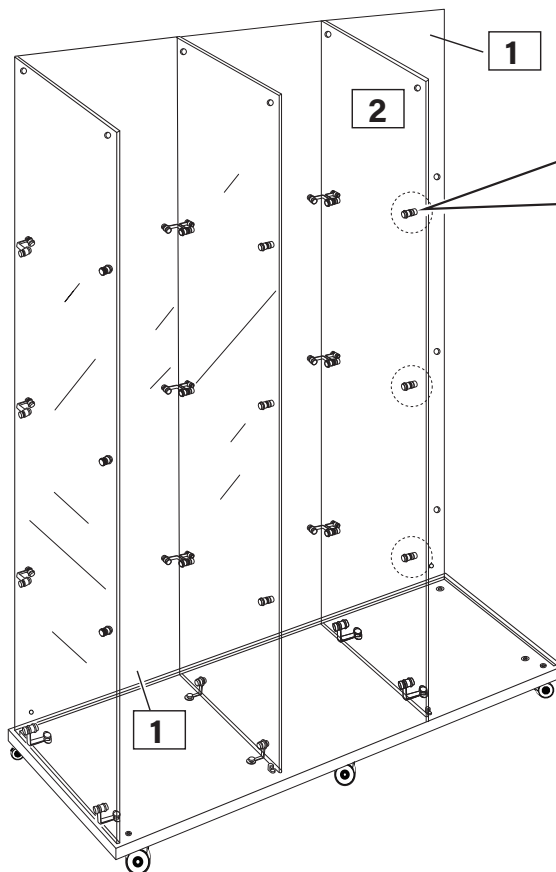
19



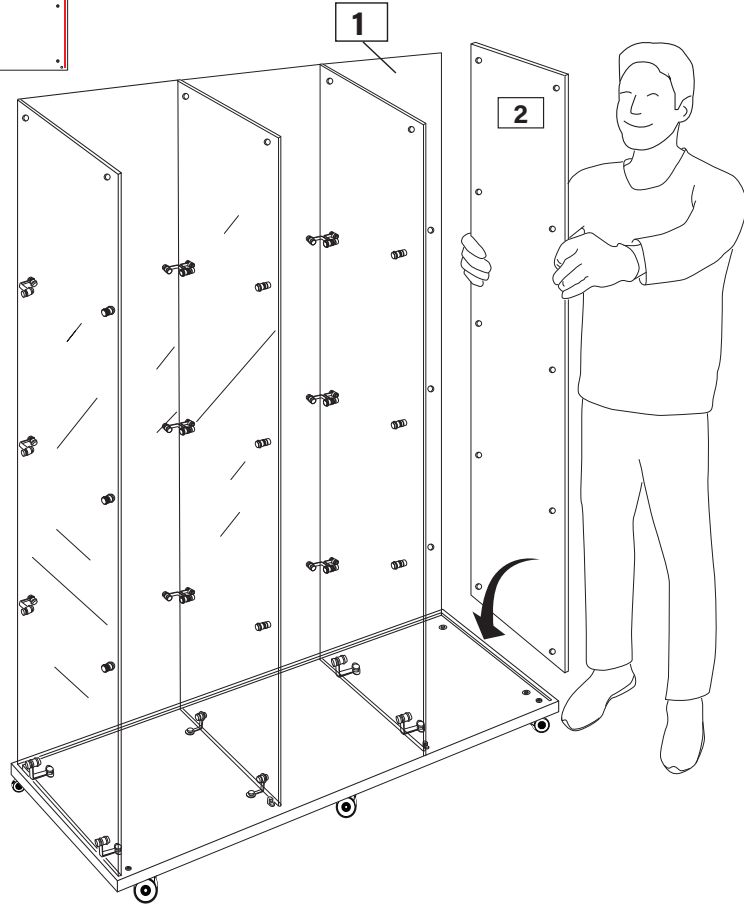
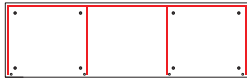
Please install this accessory strictly according to the indicated direction.



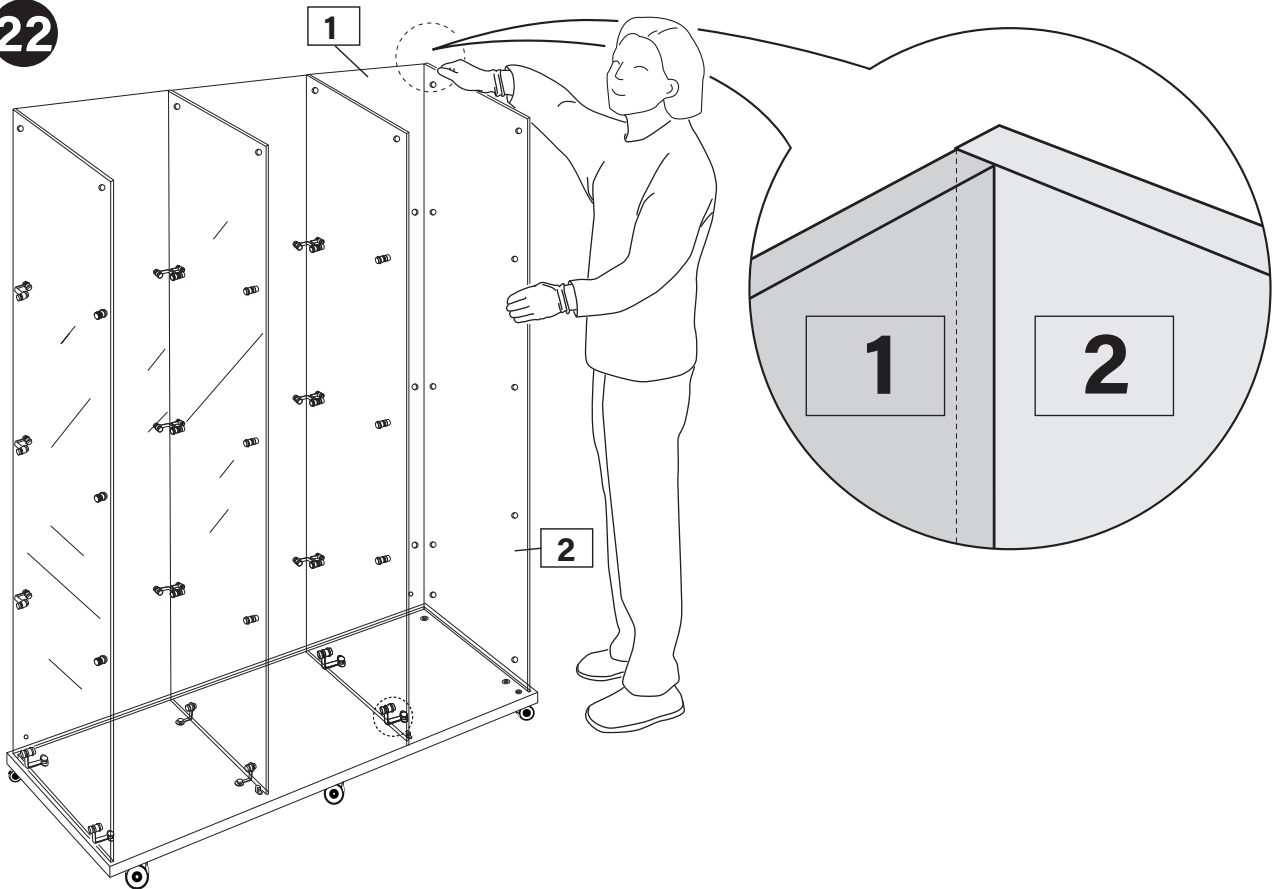
20



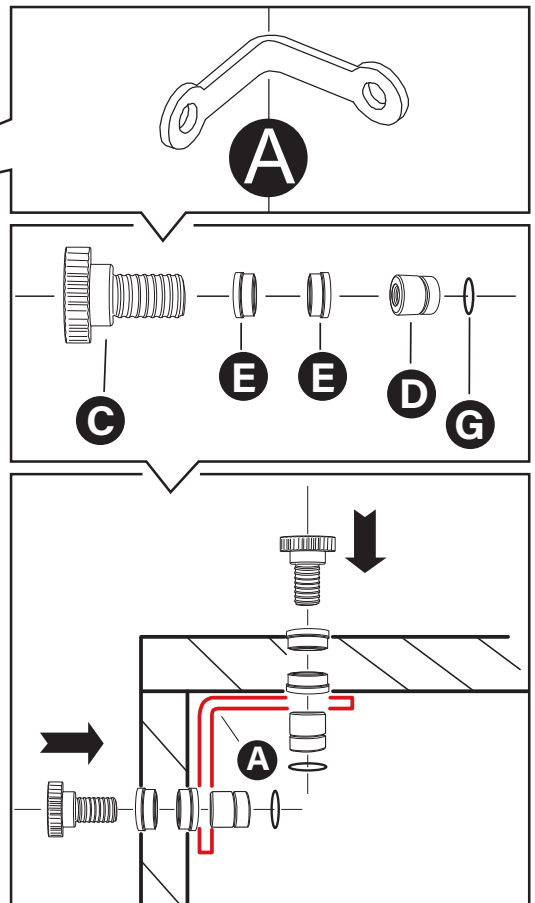
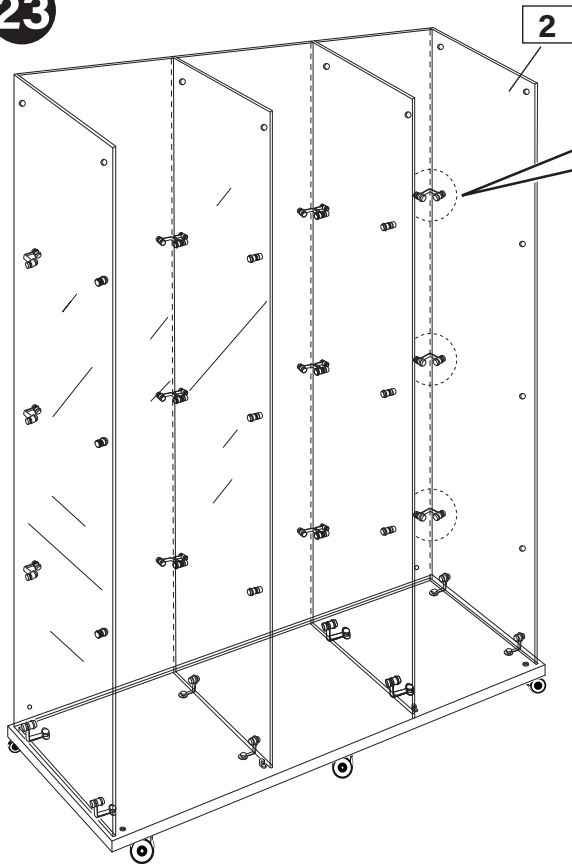
21



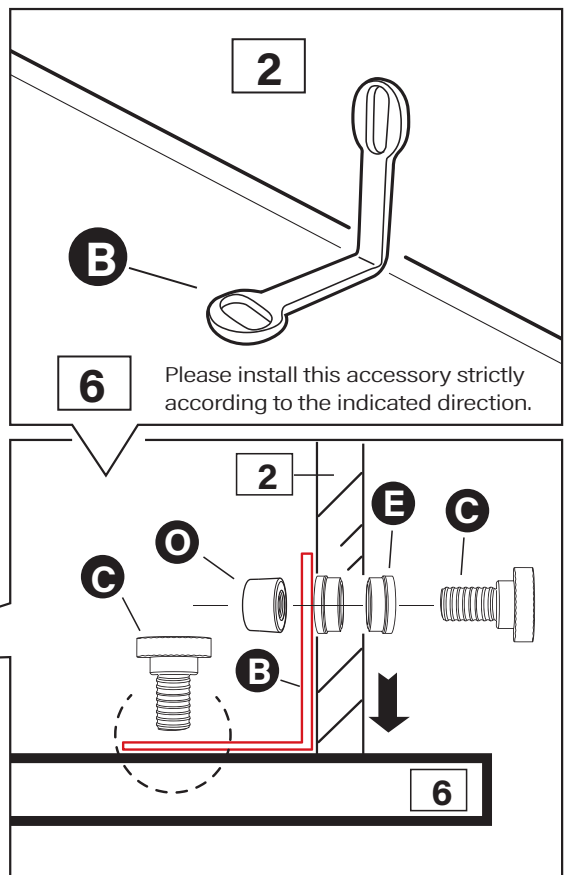
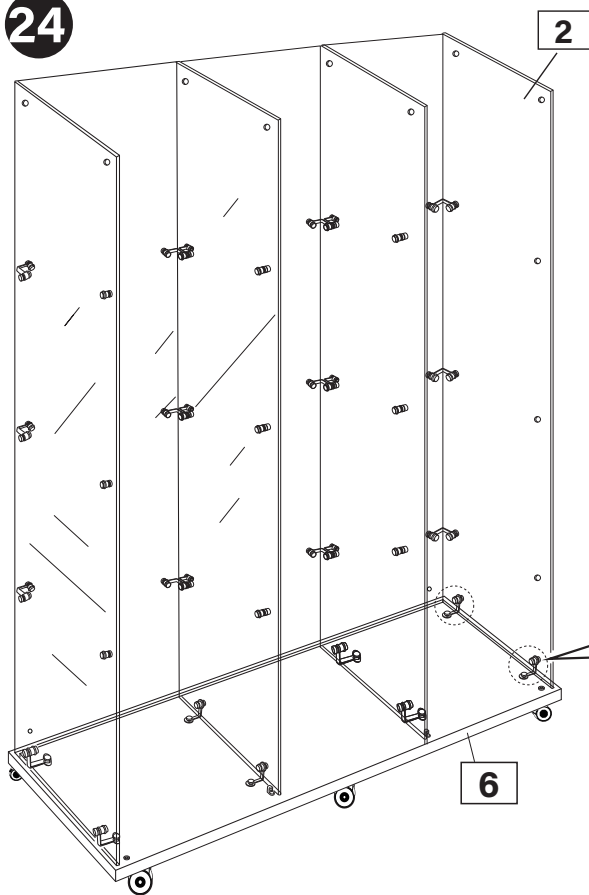
22



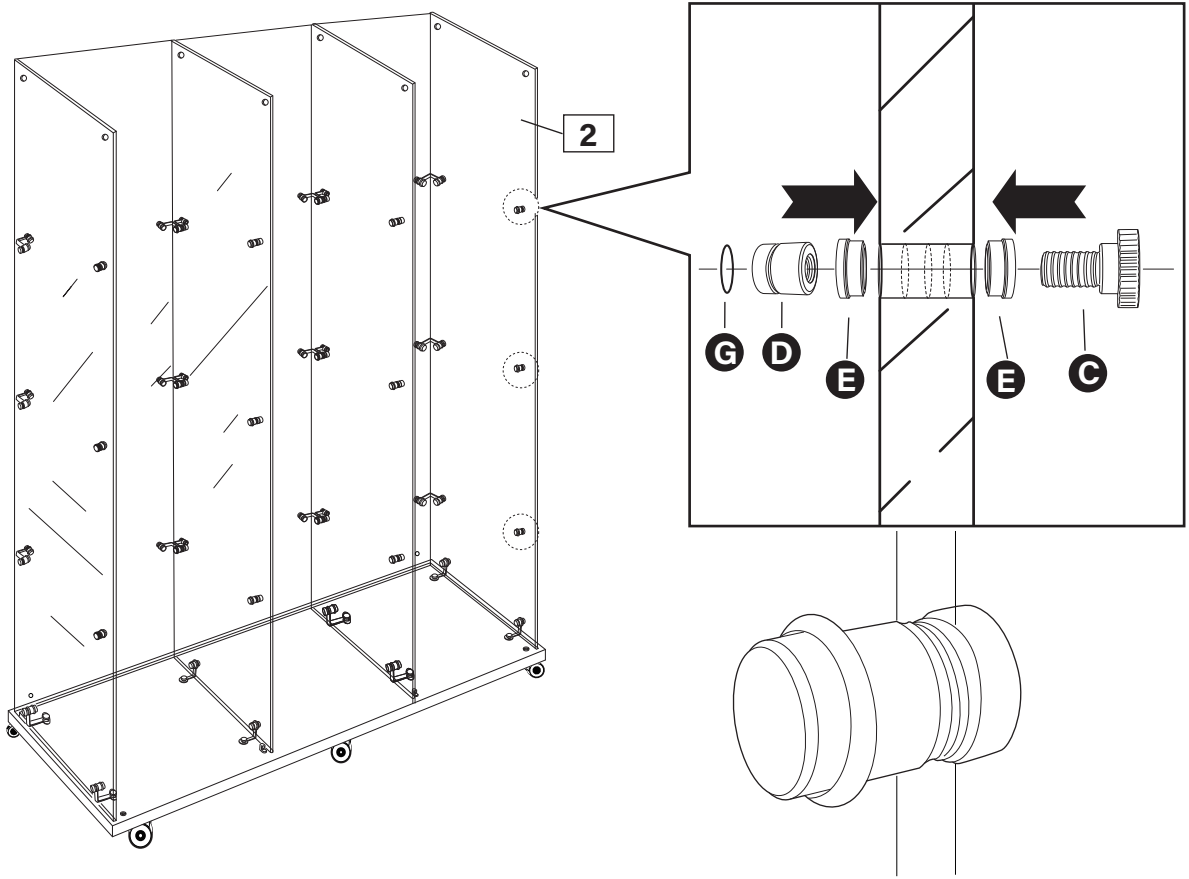
23



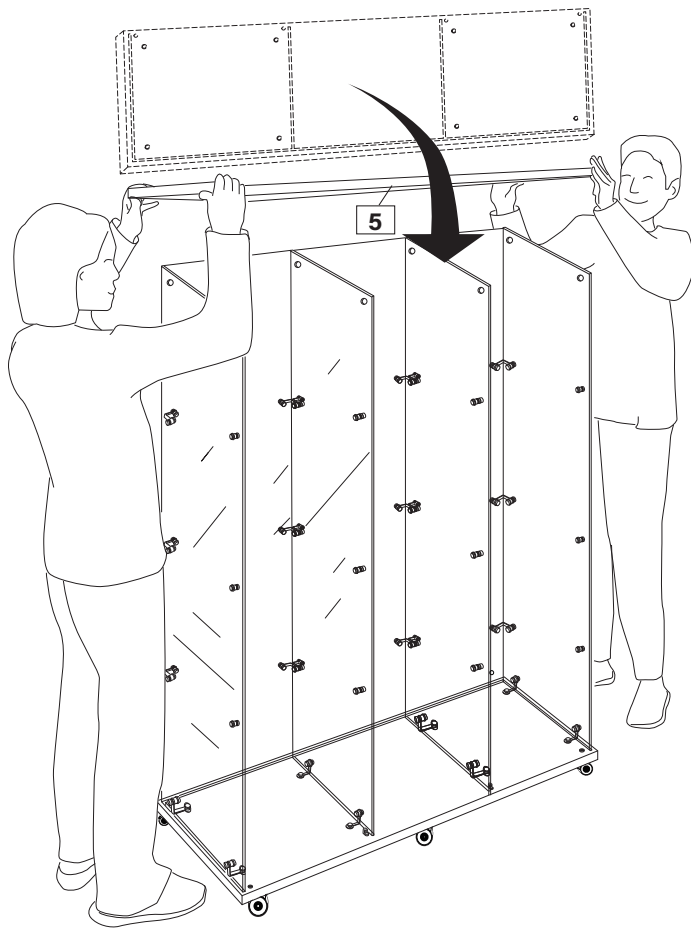
24



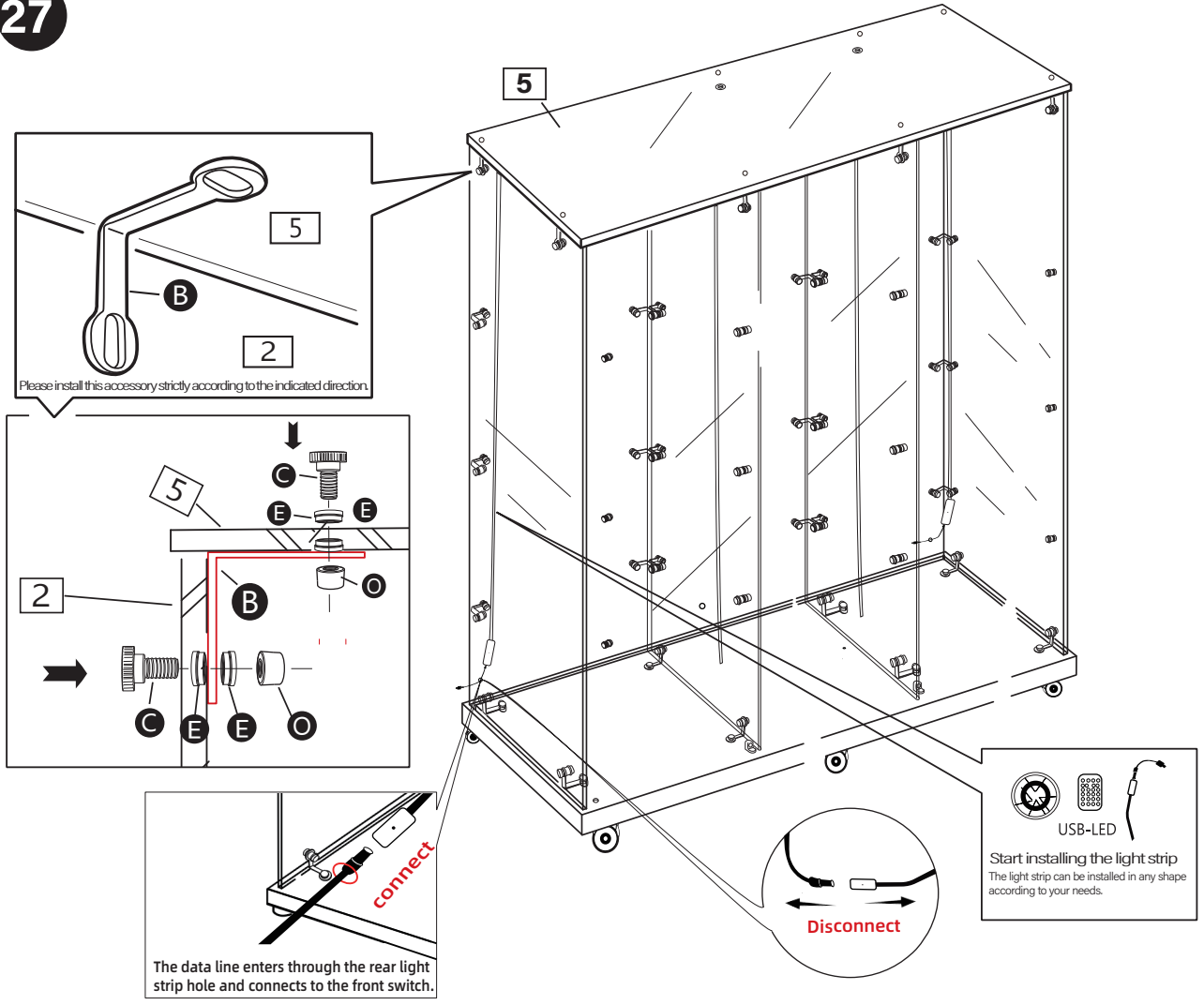
25



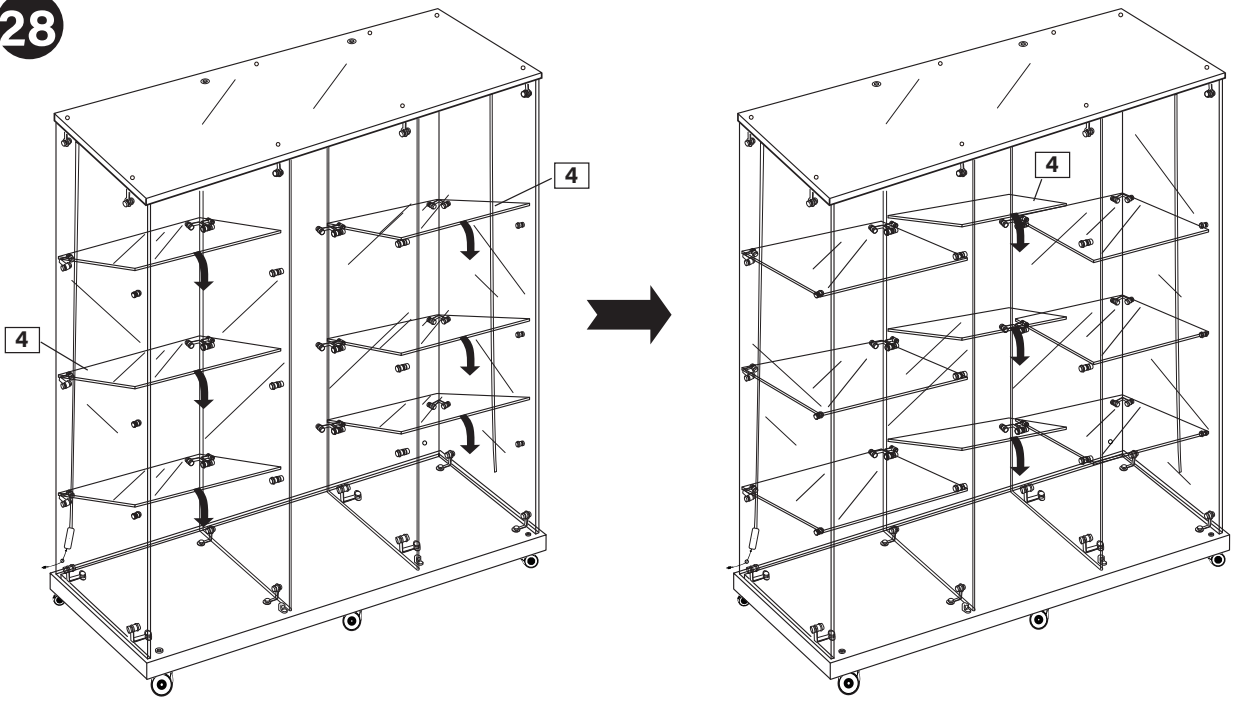
26



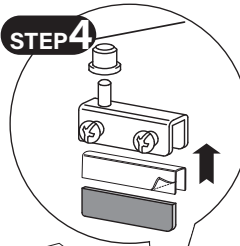
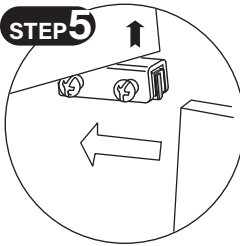
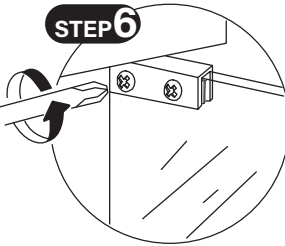
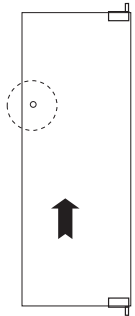
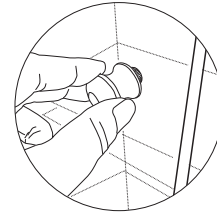
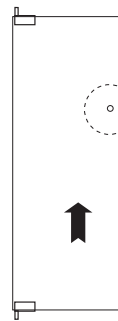
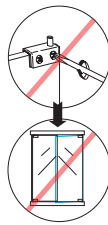
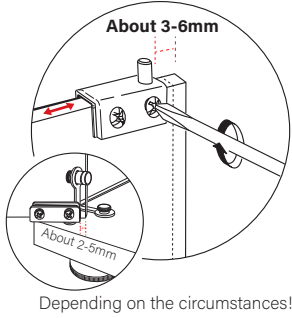
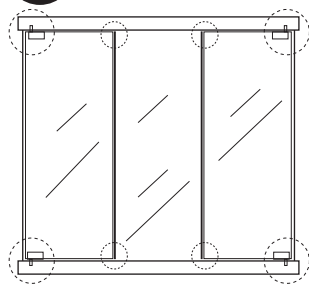
27



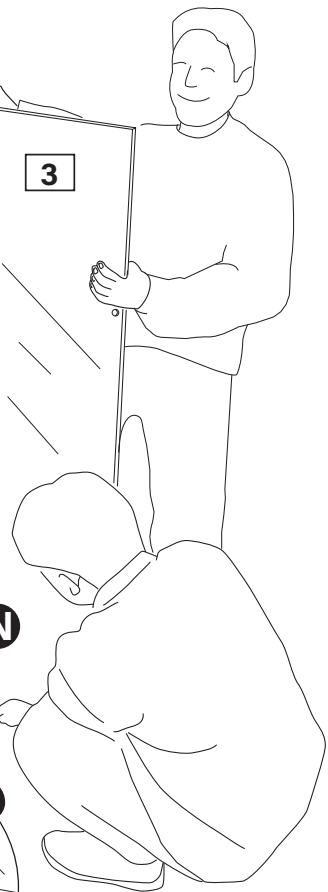
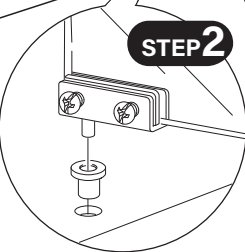
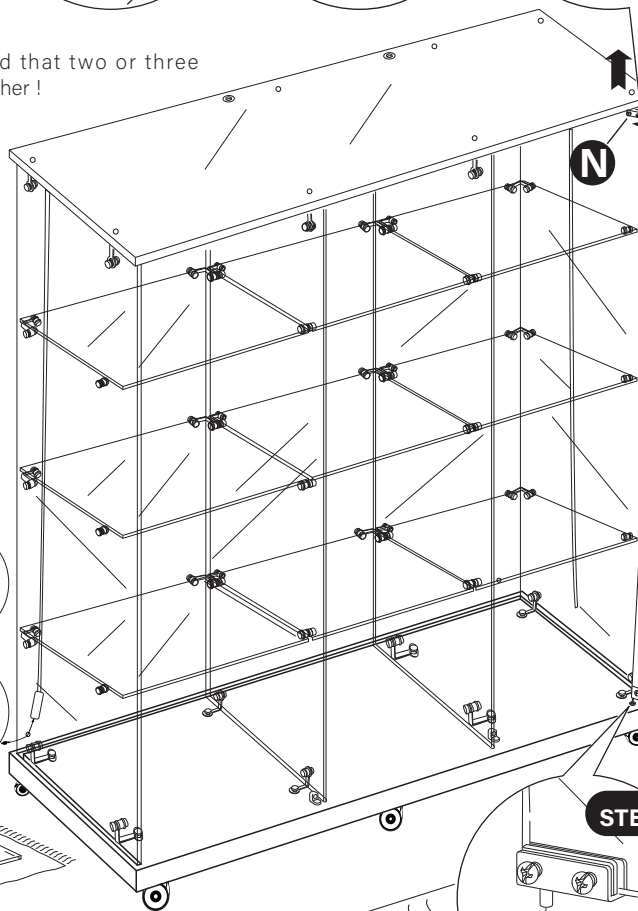
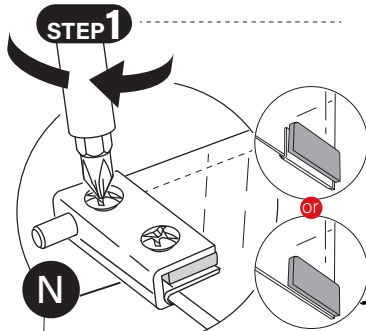
28



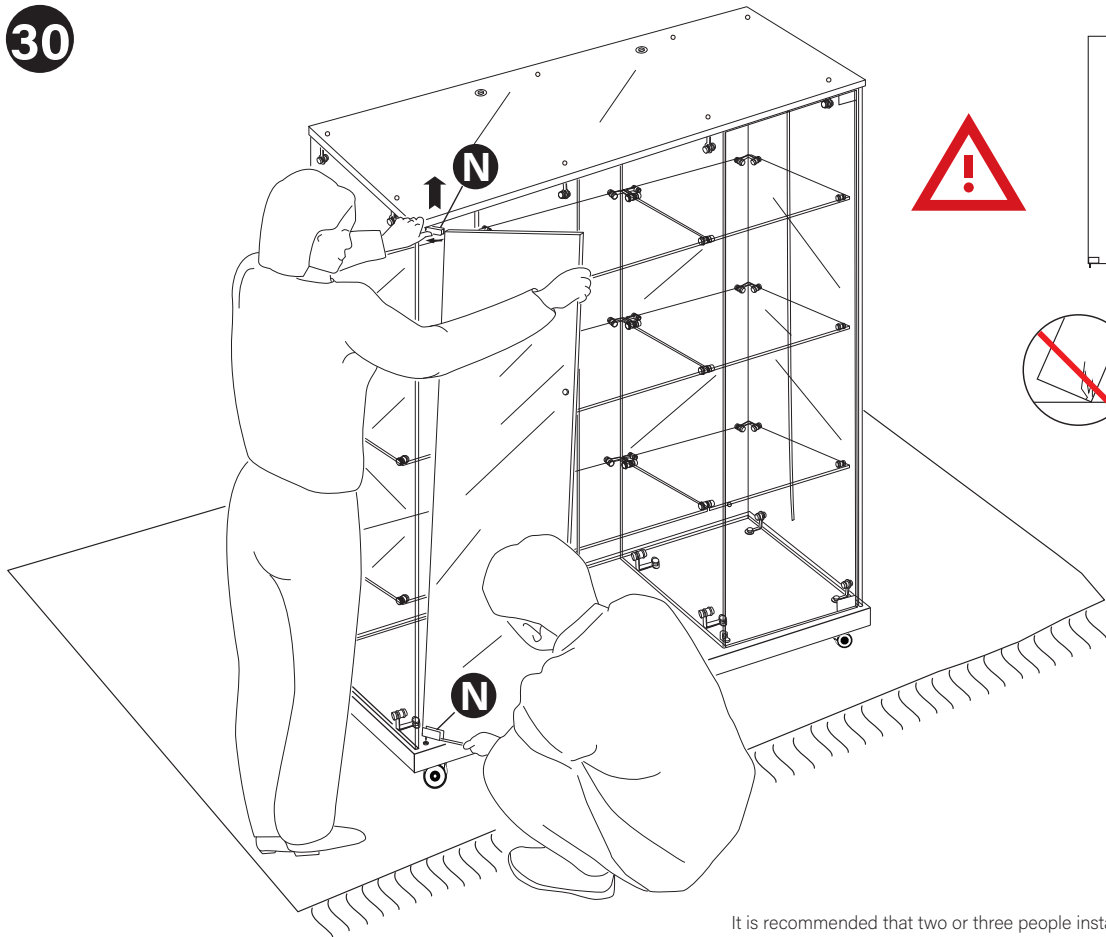
29



≥ 2 It is recommended that two or three people install it together !



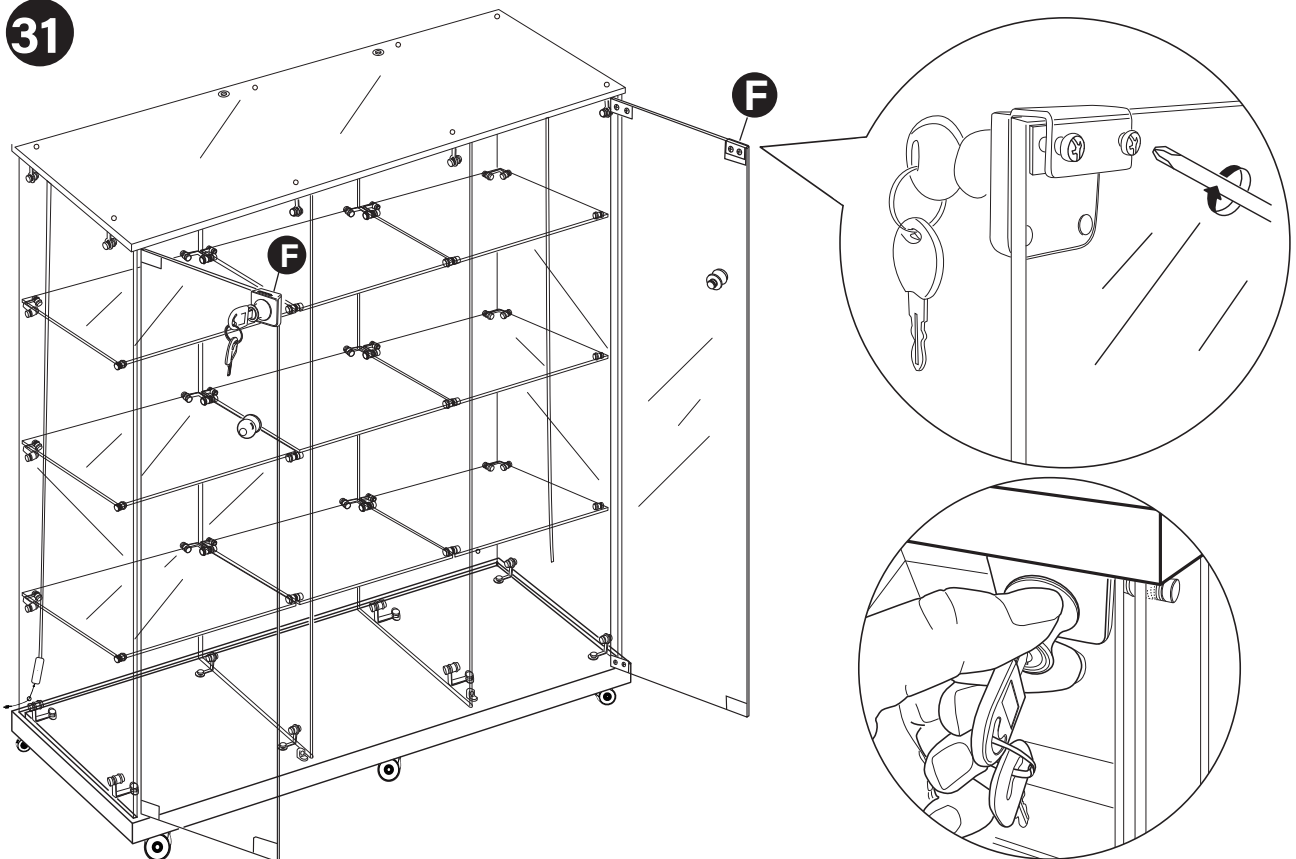
30



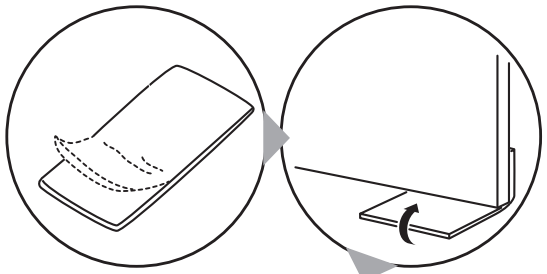
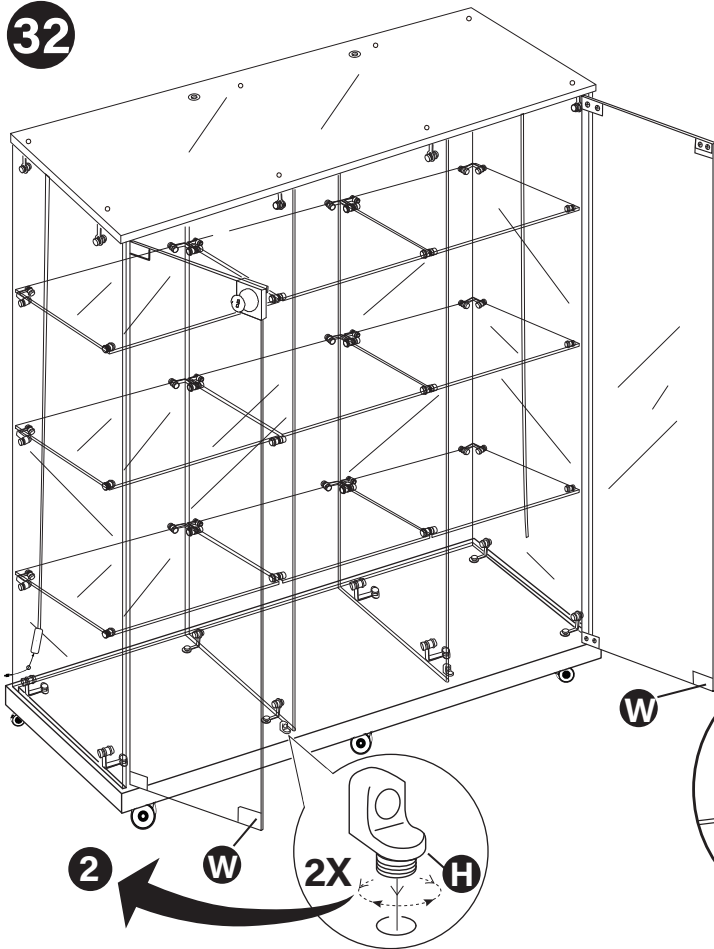
≥ 2

It is recommended that two or three people install it together !

31

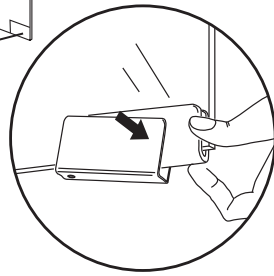
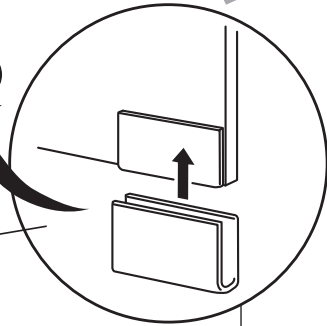


32

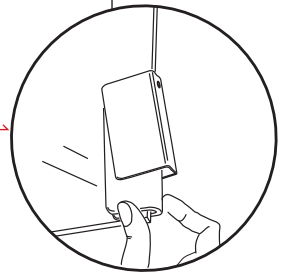


29 30

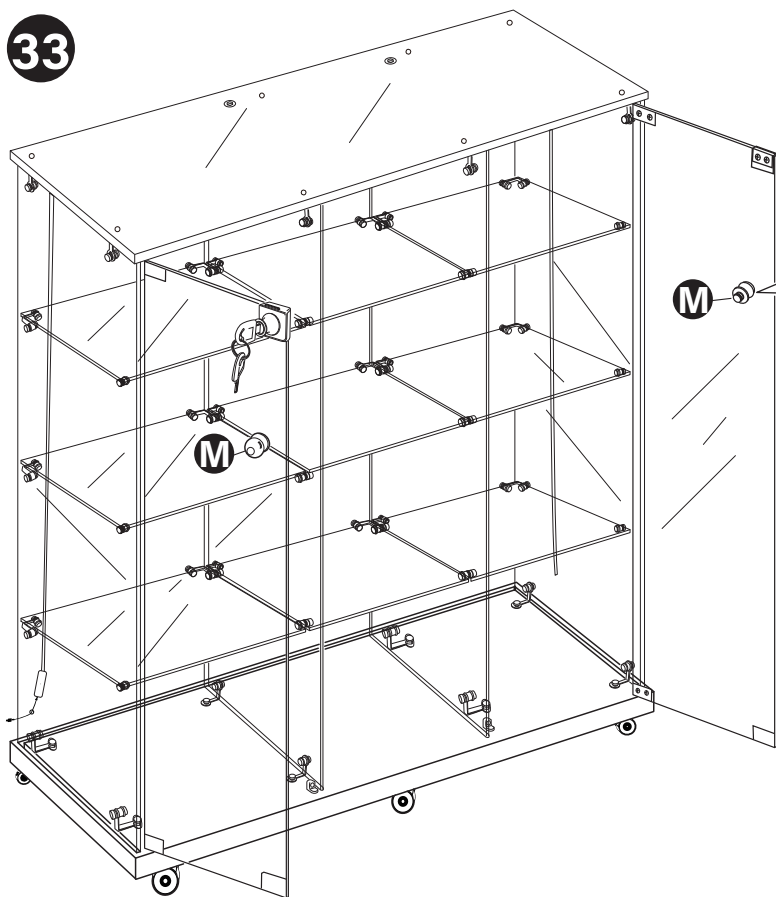
W



or



33

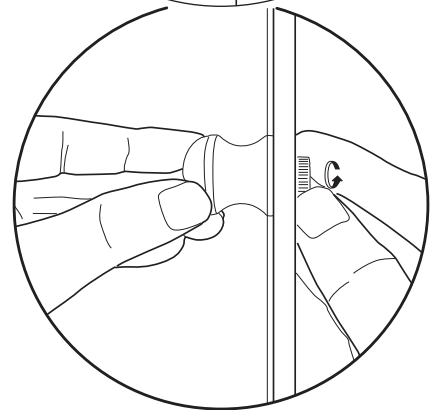


M

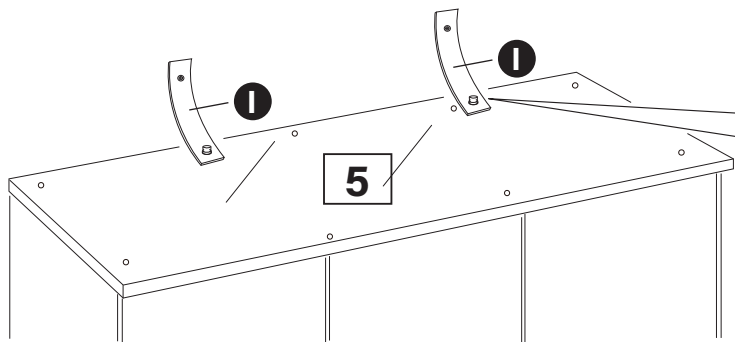
M

E

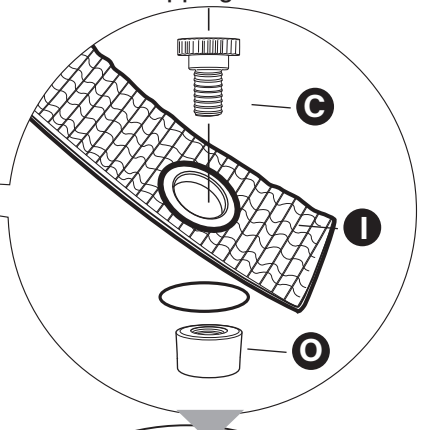
G



34



Anti-tipping device



 **WARNING**

Furniture tipping can result in severe or fatal injuries. To prevent tipping, furniture must be permanently attached to the wall. Different wall materials require different types of fixtures. Please use fixtures that are suitable for the walls of your home. Please contact your local franchisor for advice.

