

EN

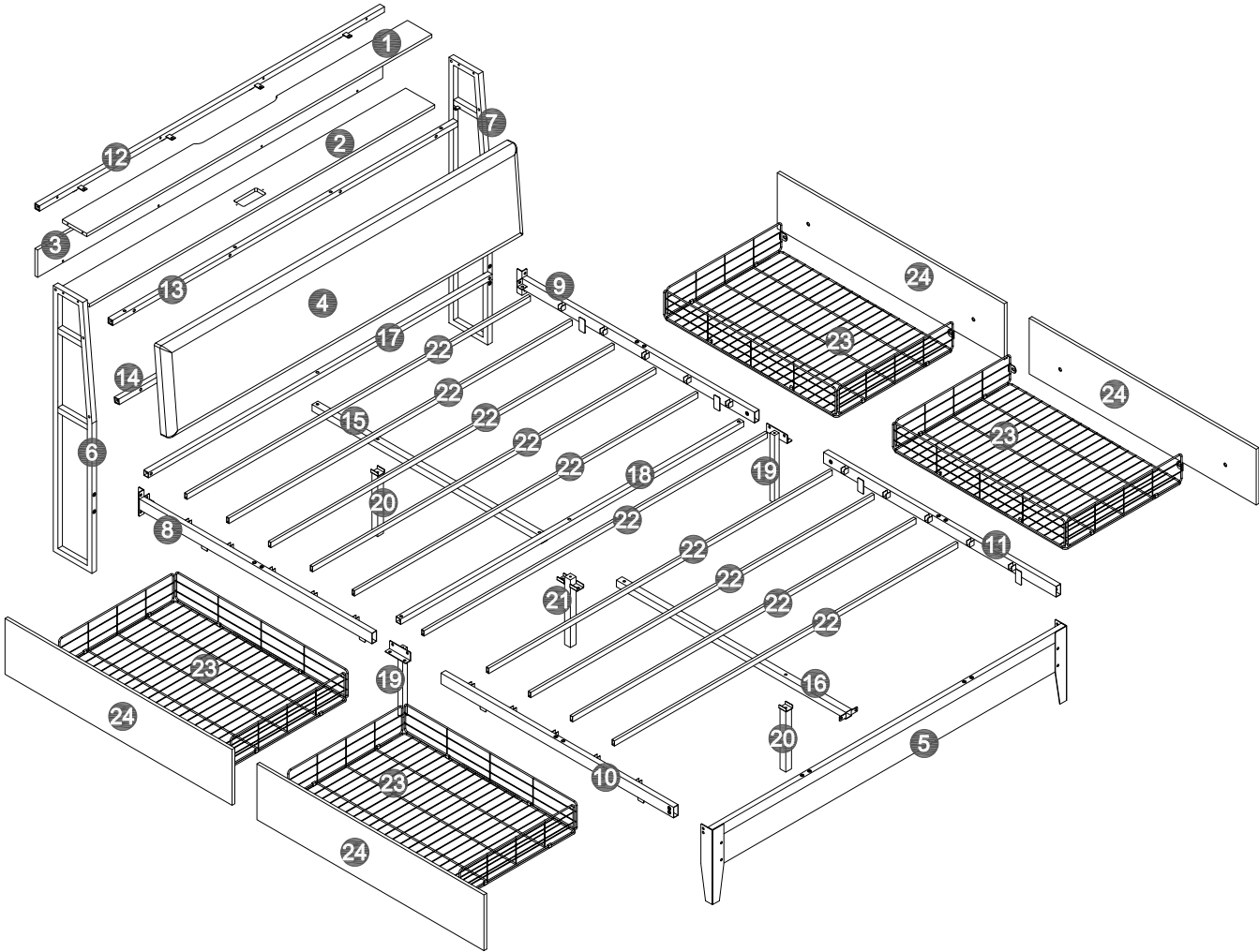
Thank you for purchasing our product. If you encounter difficulties during assembly or need to replace parts, please contact us. Our customer service is here to assist you. Please send your problems and Order ID to the customer service

WARNING

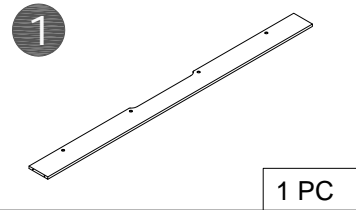
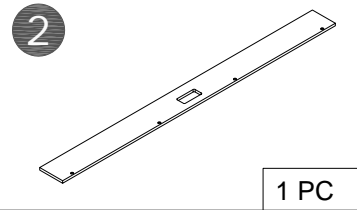
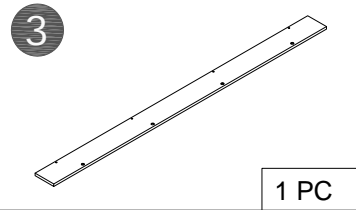
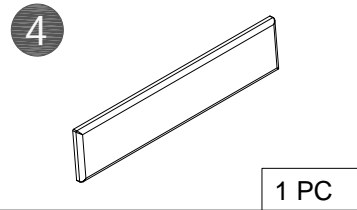
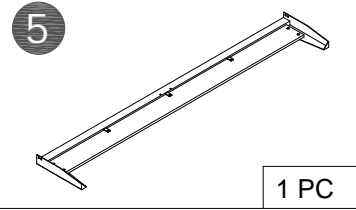
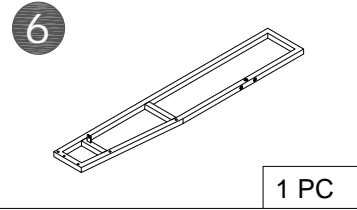
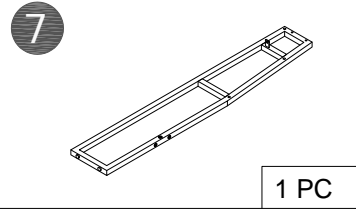
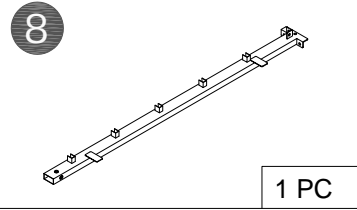
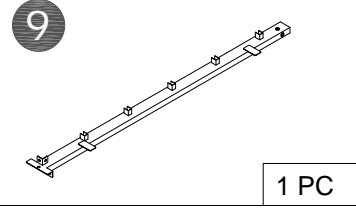
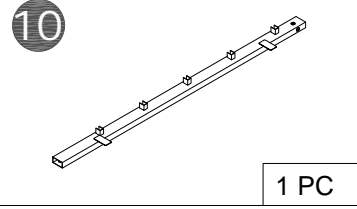
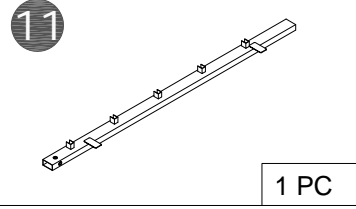
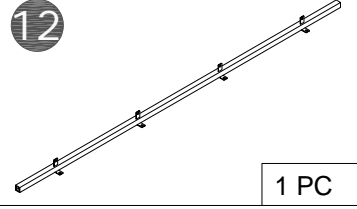
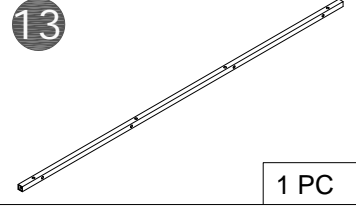
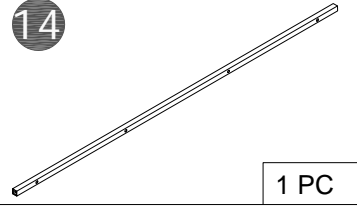
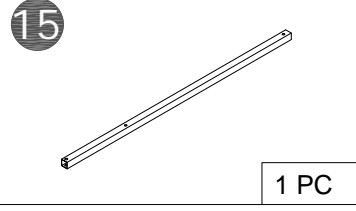
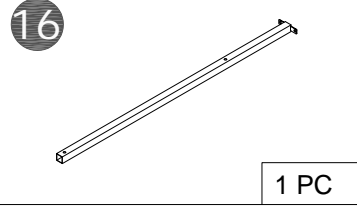
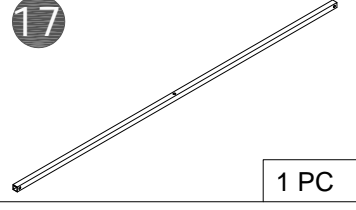
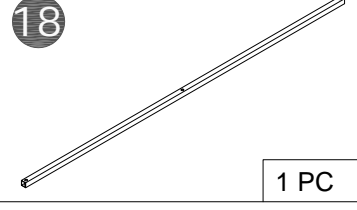
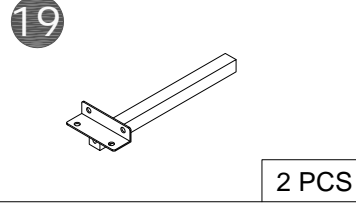
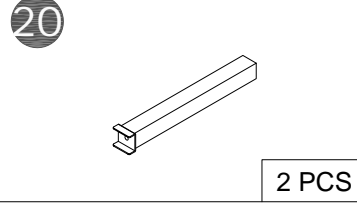
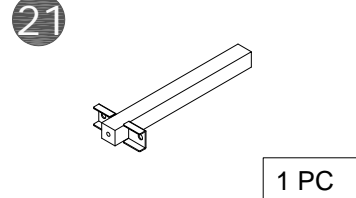
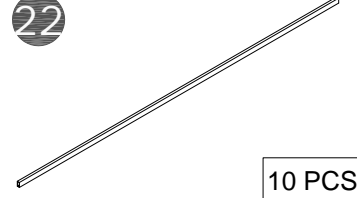
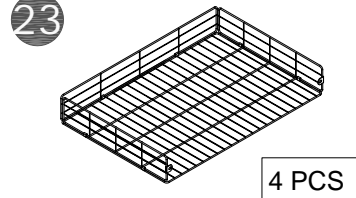
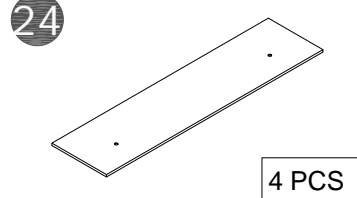
Unexpected assembly or use may cause serious or fatal injury!

1. Please keep all parts away from babies or children during assembly.
2. The use of anti-tip devices can only reduce but not eliminate the risk of tip-over.
3. Please do not place heavy objects on top of this product unless specifically designed to accommodate it.
4. Please do not place heavy objects on the bedside storage board.
5. Never let children climb on or knock on drawers, doors, or shelves.

PARTS LIST



Assembly steps(EN)

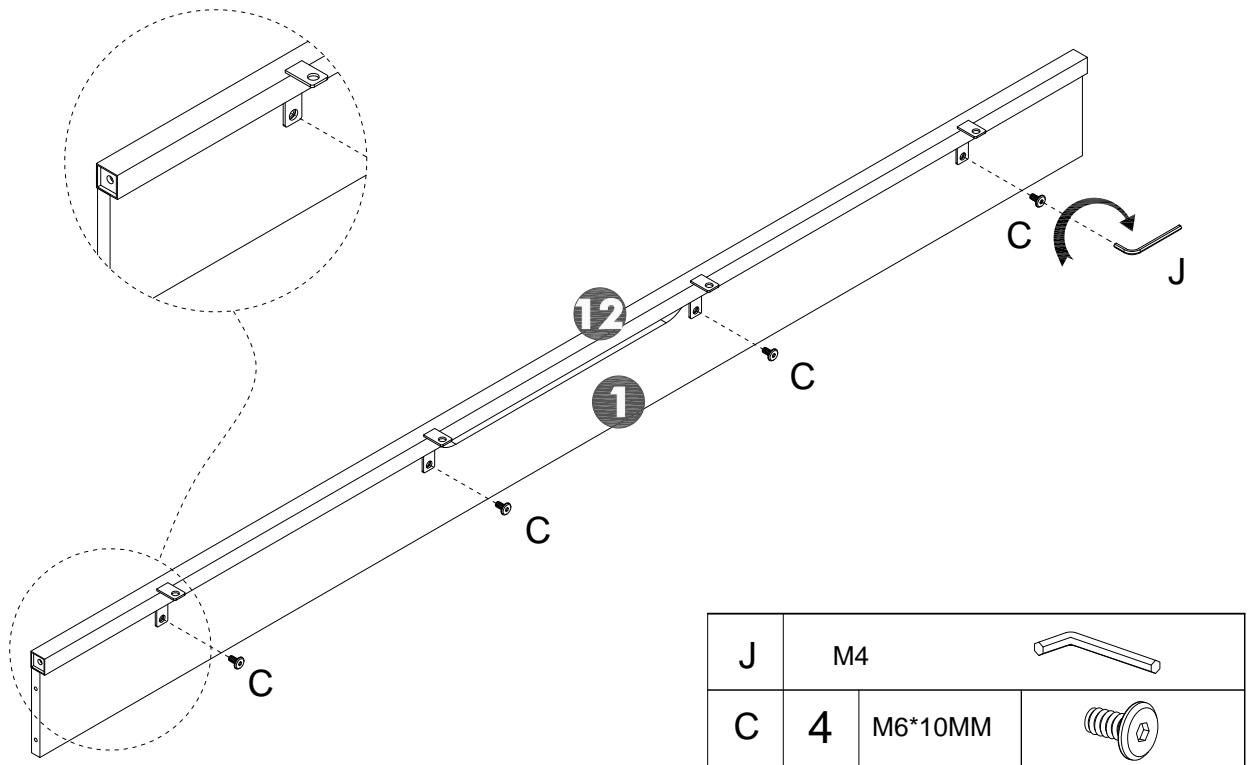
 <p>1 1 PC</p>	 <p>2 1 PC</p>	 <p>3 1 PC</p>	 <p>4 1 PC</p>
 <p>5 1 PC</p>	 <p>6 1 PC</p>	 <p>7 1 PC</p>	 <p>8 1 PC</p>
 <p>9 1 PC</p>	 <p>10 1 PC</p>	 <p>11 1 PC</p>	 <p>12 1 PC</p>
 <p>13 1 PC</p>	 <p>14 1 PC</p>	 <p>15 1 PC</p>	 <p>16 1 PC</p>
 <p>17 1 PC</p>	 <p>18 1 PC</p>	 <p>19 2 PCS</p>	 <p>20 2 PCS</p>
 <p>21 1 PC</p>	 <p>22 10 PCS</p>	 <p>23 4 PCS</p>	 <p>24 4 PCS</p>

HARDWARE LIST:

A M6*55 2 PCS	B M6*28 5 PCS	C M6*10 19 PCS	D ø5*40 9 PCS
E ø3.5*12 3 PCS	F M6*35 24 PCS	G 6 PCS	H 11 PCS
I 1 PC	J M4 1 PC	K M3 1 PC	L 1 PC
M M6 6 PCS	N M6*15 34 PCS	O 8 PCS	P 16 PCS

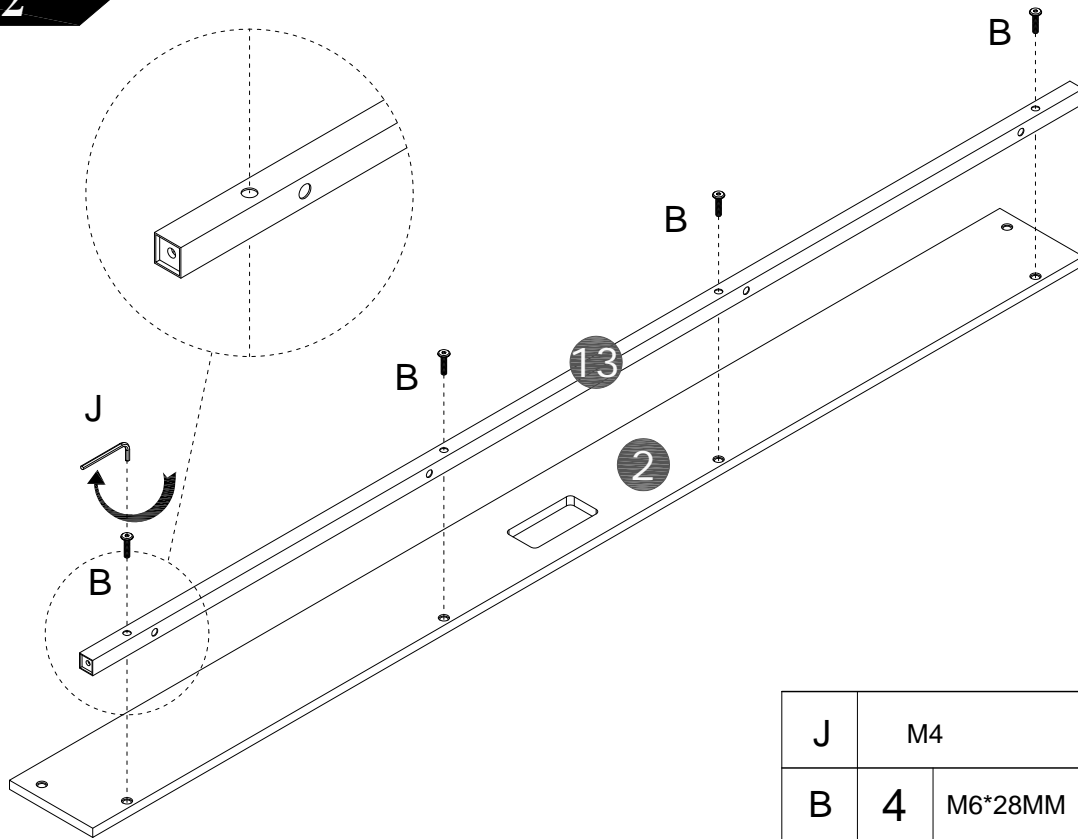
Assembly steps(EN)

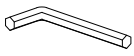
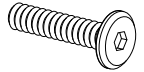
STEP 1



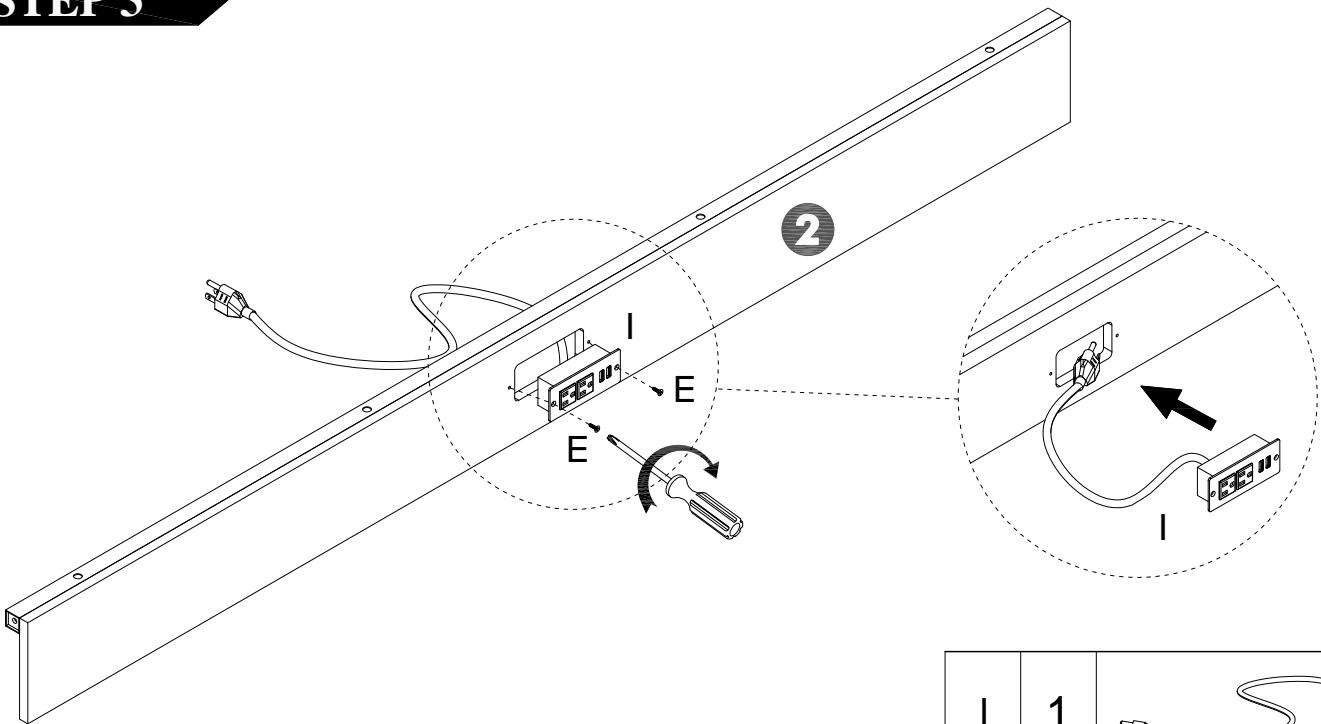
Assembly steps(EN)


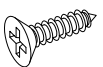
STEP 2



J	M4	
B	4	M6*28MM 

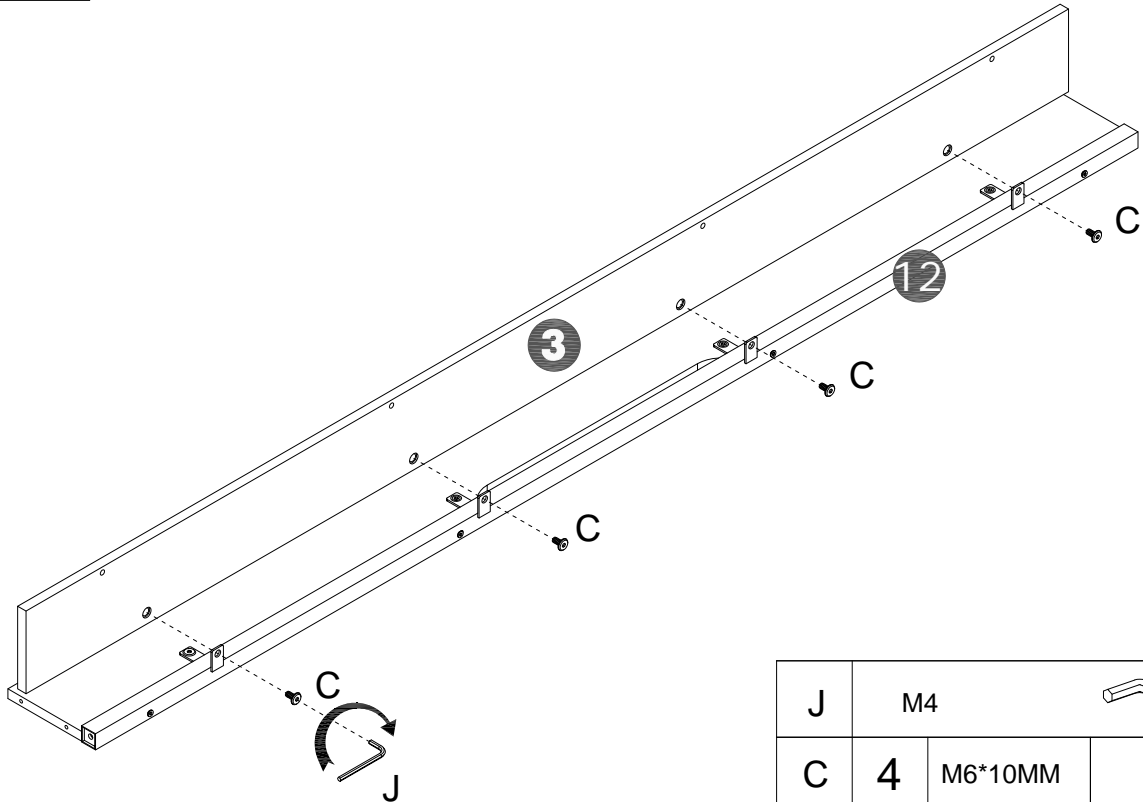
STEP 3

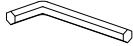



I	1	
E	2	ø3.5*12 

Assembly steps(EN)

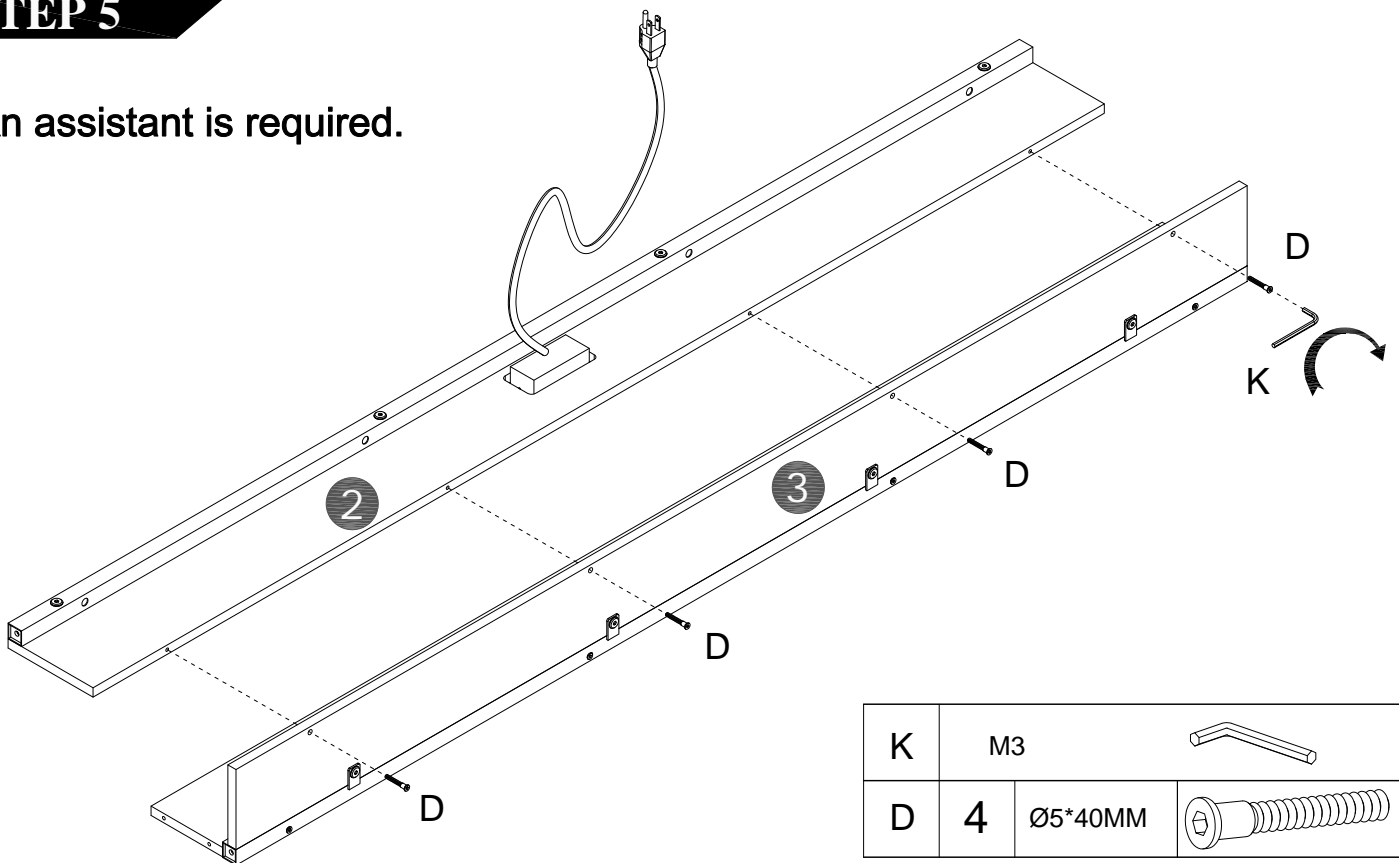
STEP 4

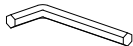
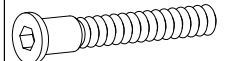


J	M4	
C	4	M6*10MM 

STEP 5

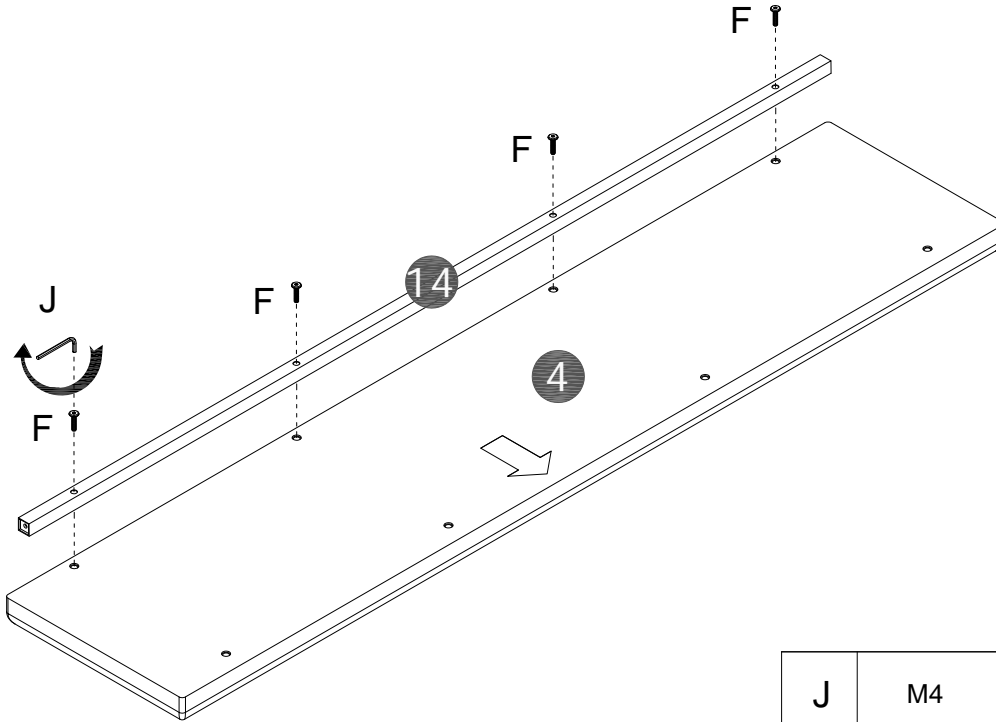
An assistant is required.

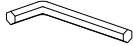
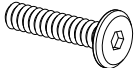


K	M3	
D	4	Ø5*40MM 

Assembly steps(EN)

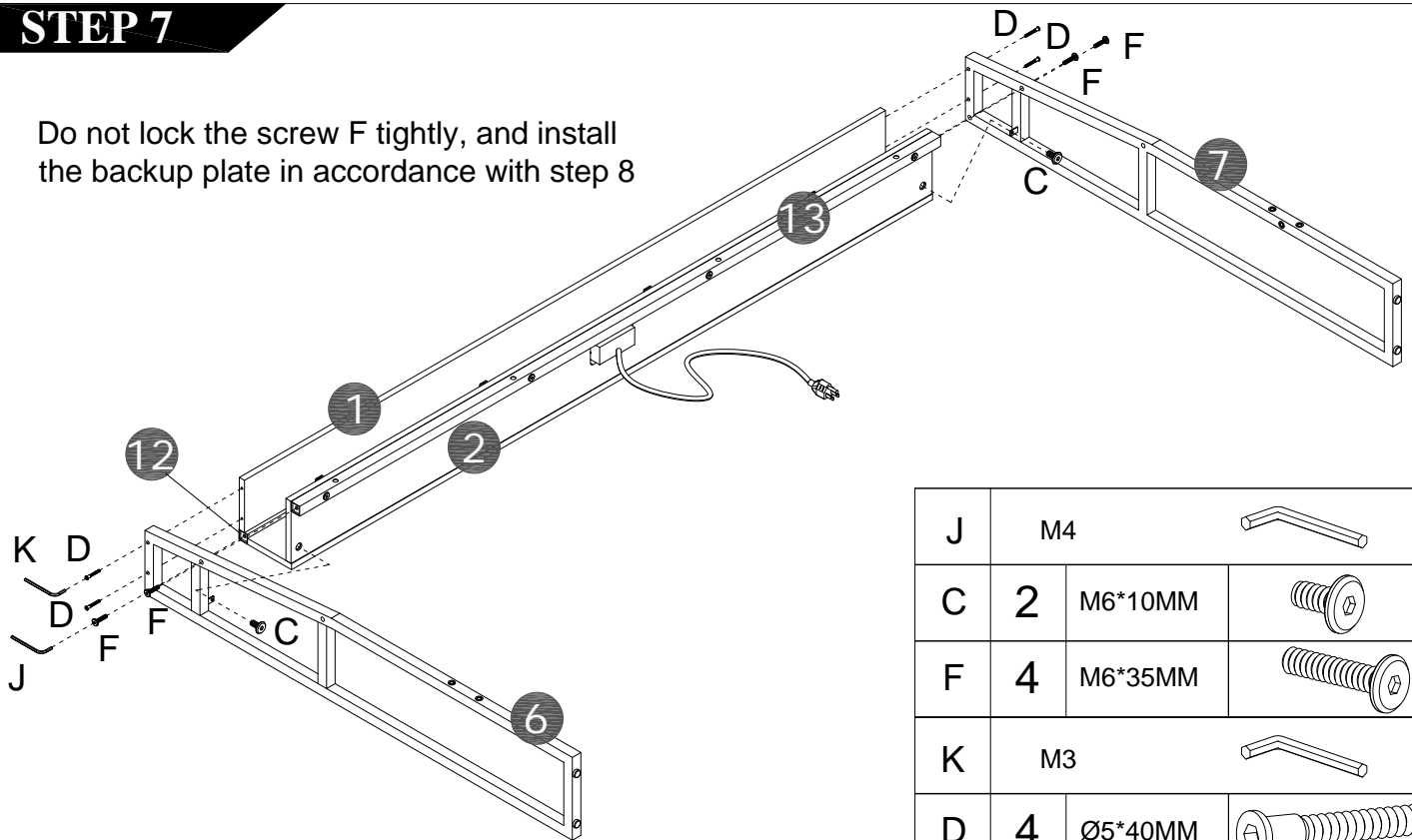
STEP 6

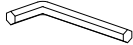
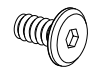
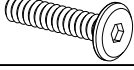

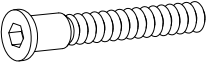


J	M4		
F	4	M6*35MM	

STEP 7

Do not lock the screw F tightly, and install the backup plate in accordance with step 8

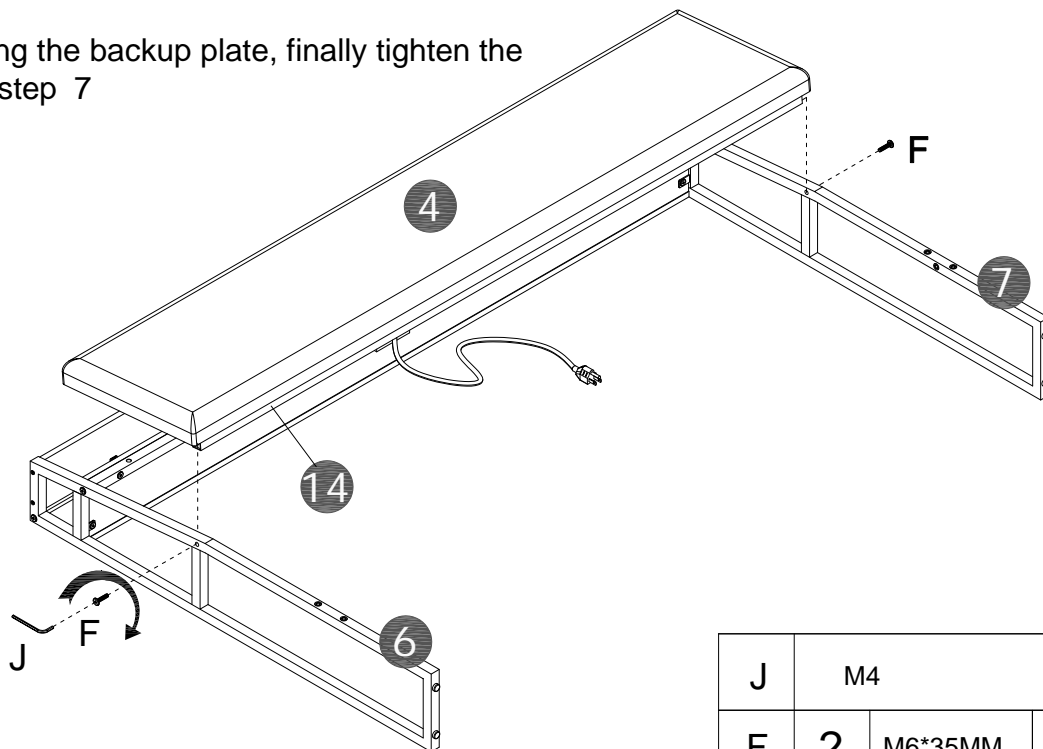


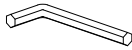
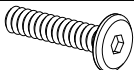
J	M4		
C	2	M6*10MM	
F	4	M6*35MM	
K	M3		
D	4	Ø5*40MM	

Assembly steps(EN)

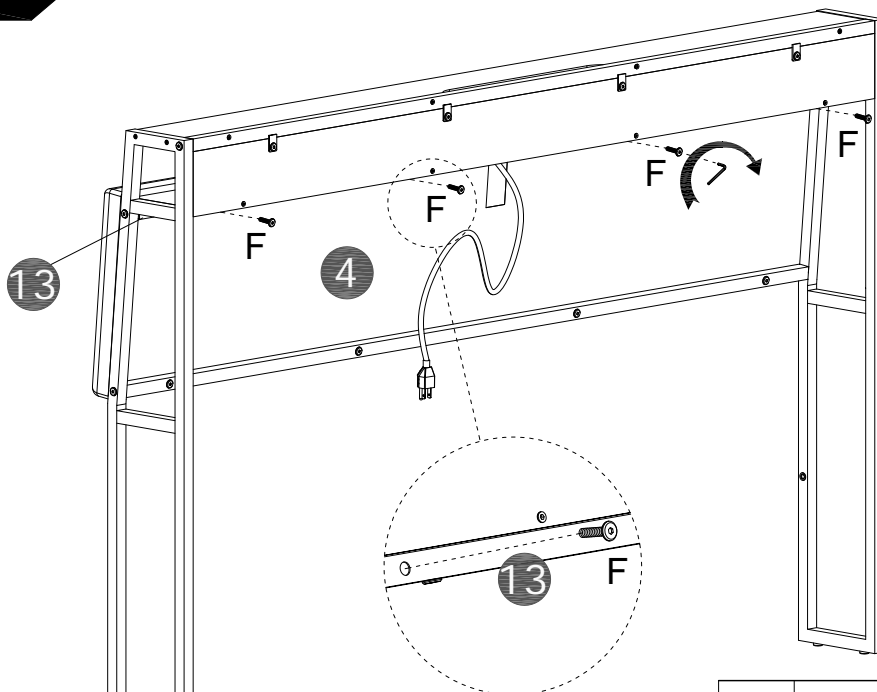
STEP 8

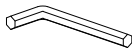
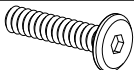
After installing the backup plate, finally tighten the screws F in step 7



J	M4		
F	2	M6*35MM	

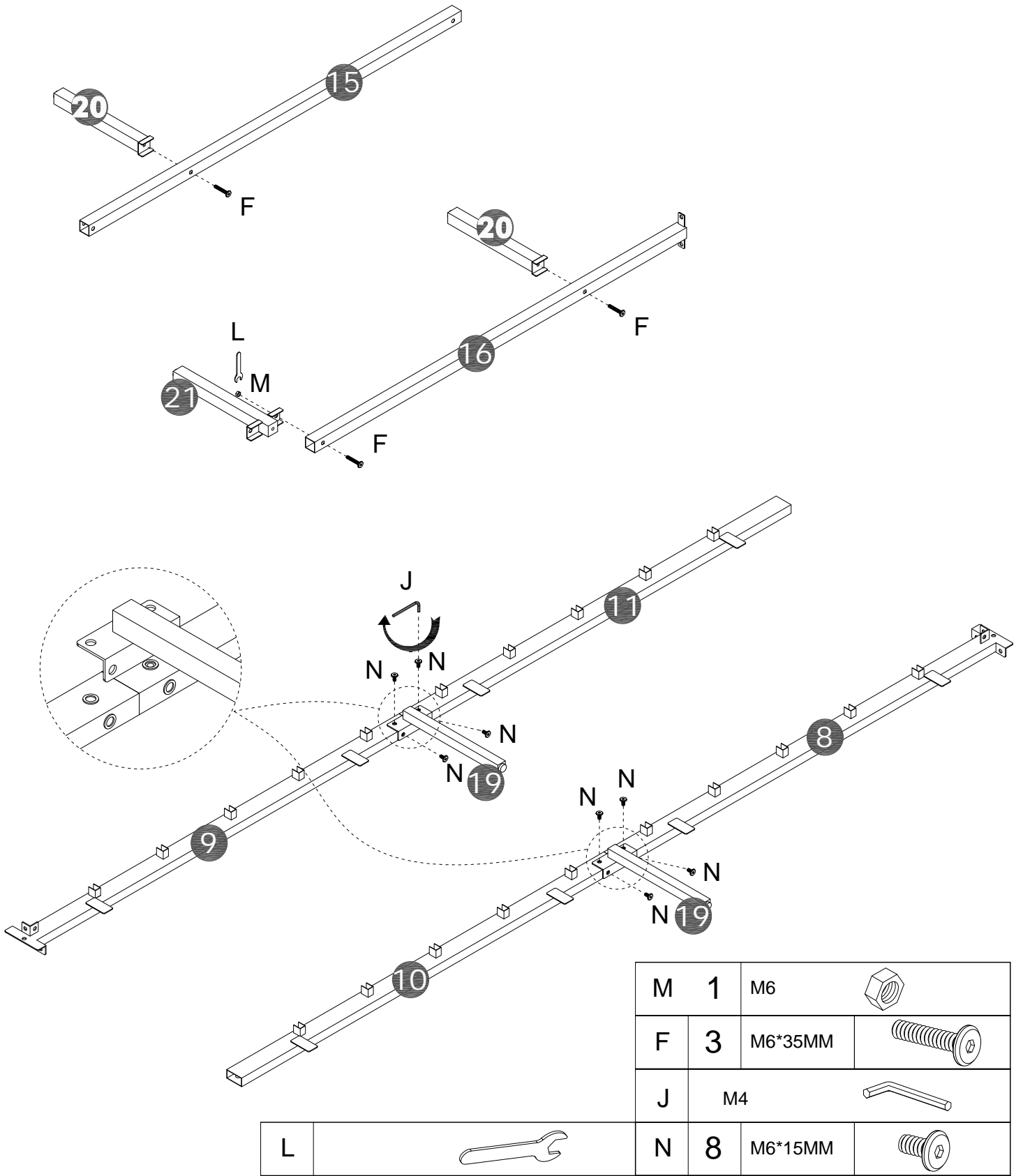
STEP 9



J	M4		
F	4	M6*35MM	

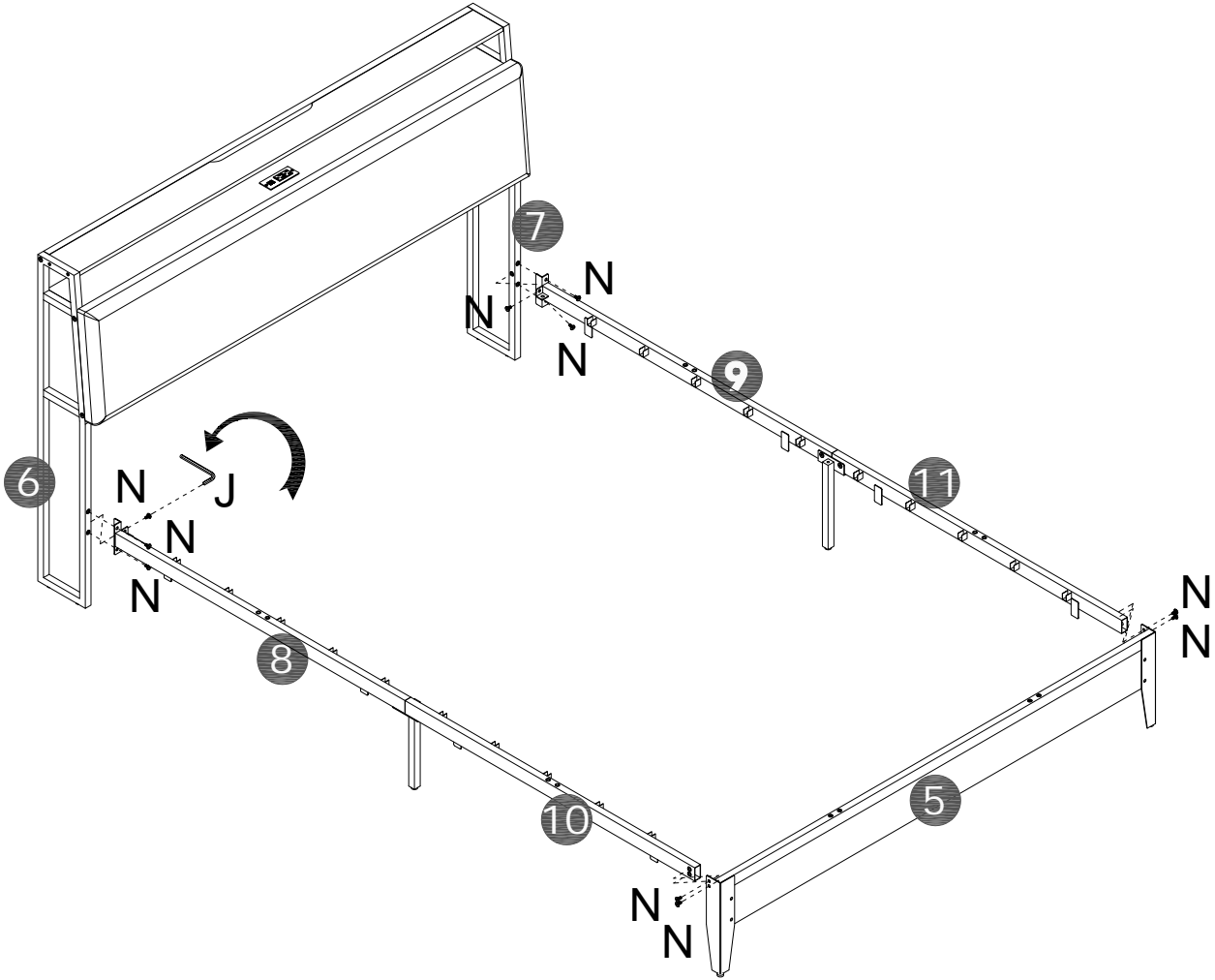
Assembly steps(EN)

STEP 10

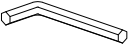
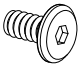


Assembly steps(EN)

STEP 11

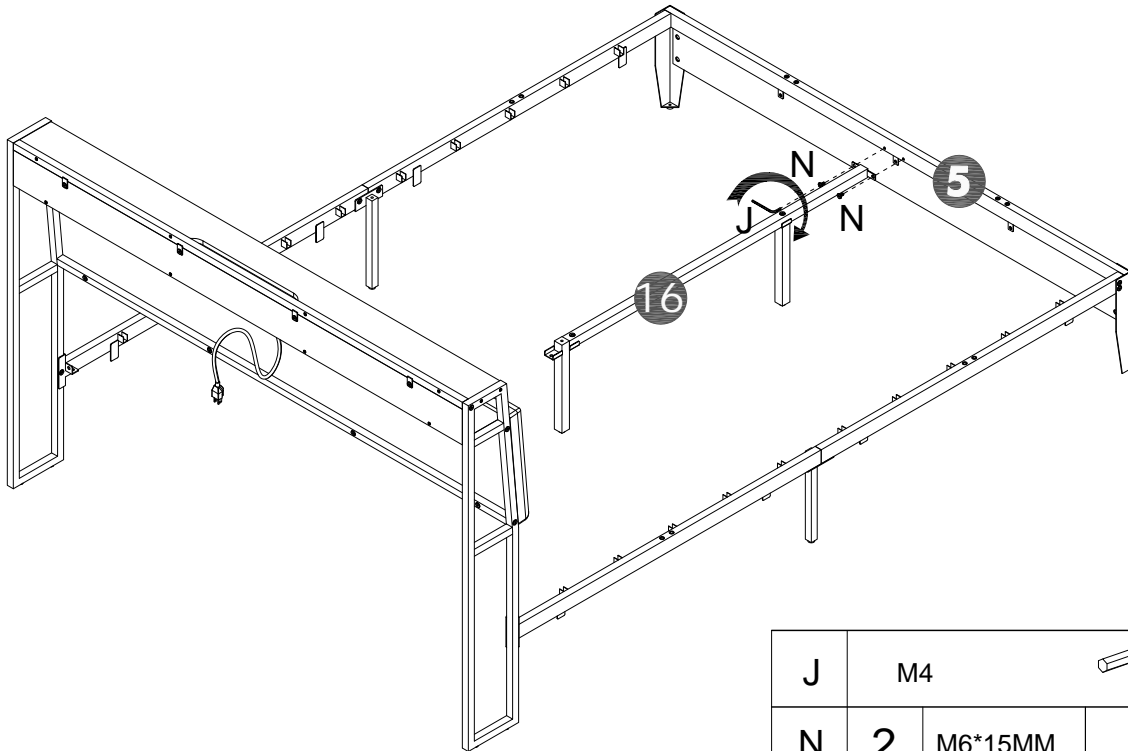


An assistant is required.

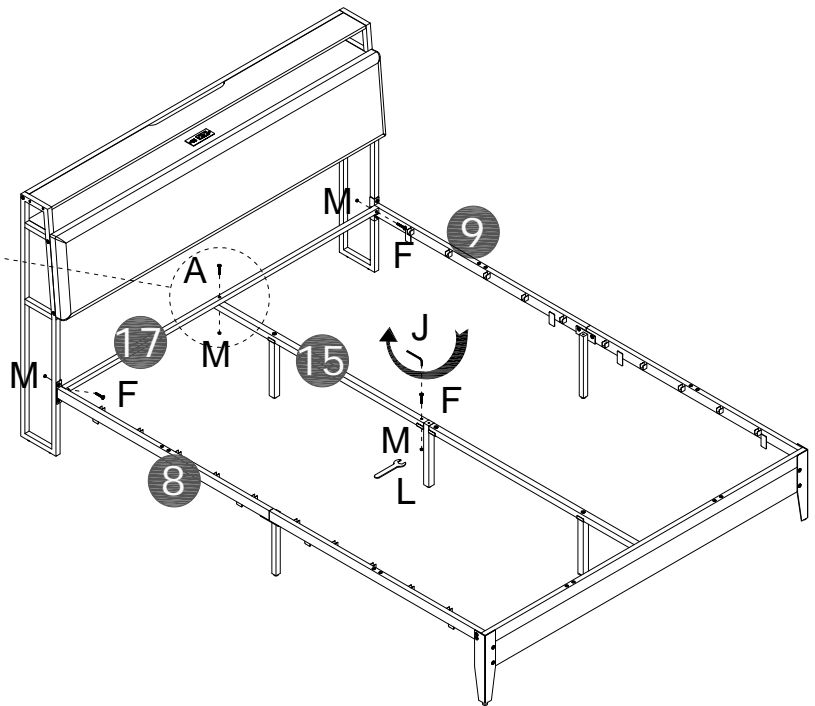
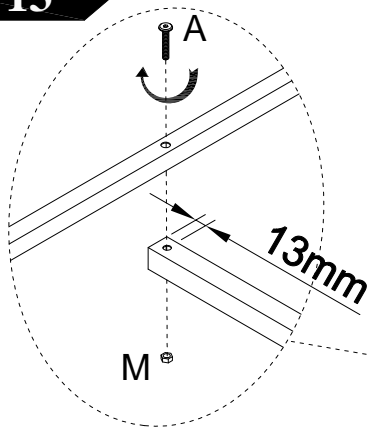
J	M4	
N	10	M6*15MM 

Assembly steps(EN)

STEP 12

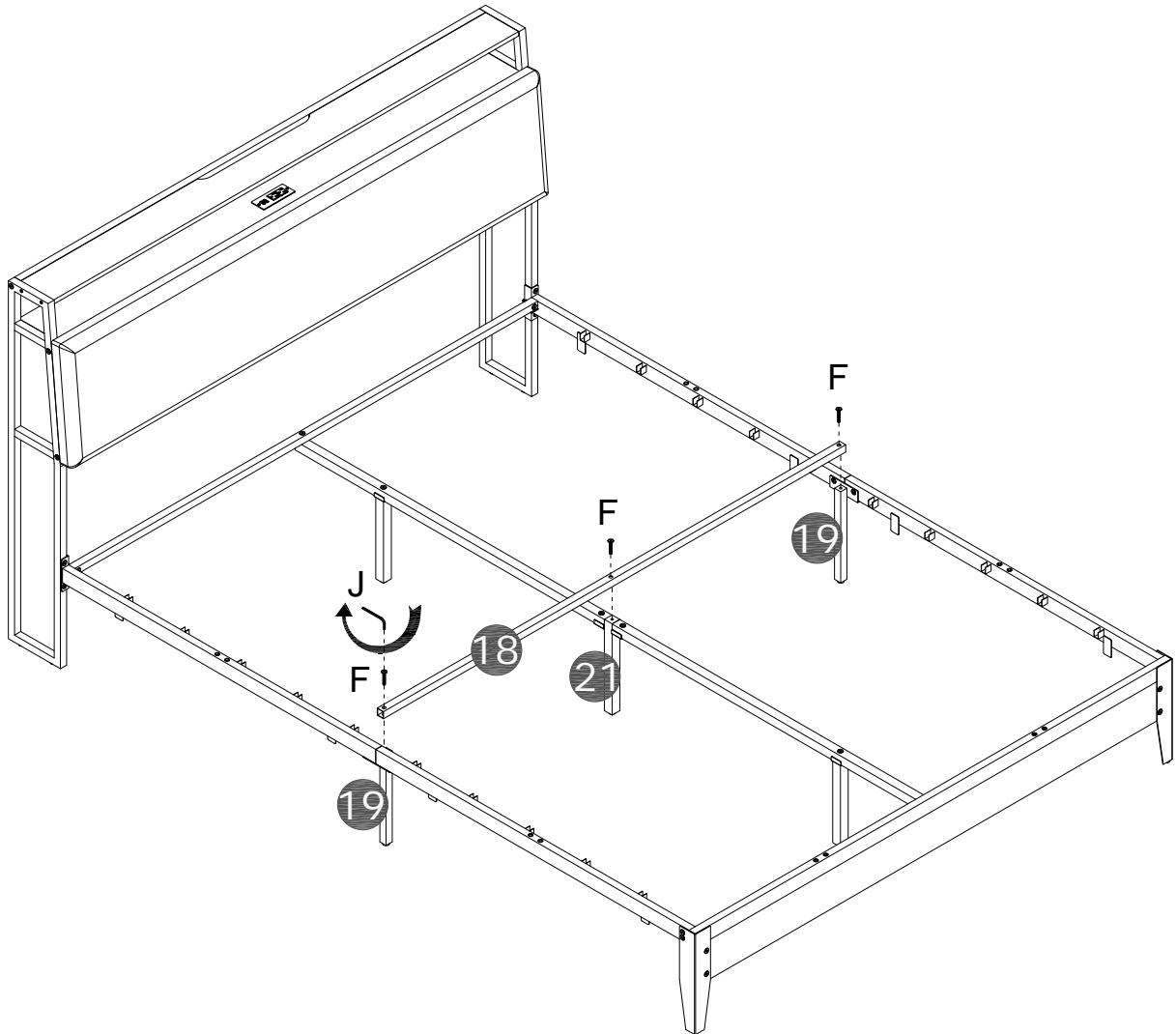


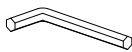

STEP 13



Assembly steps(EN)

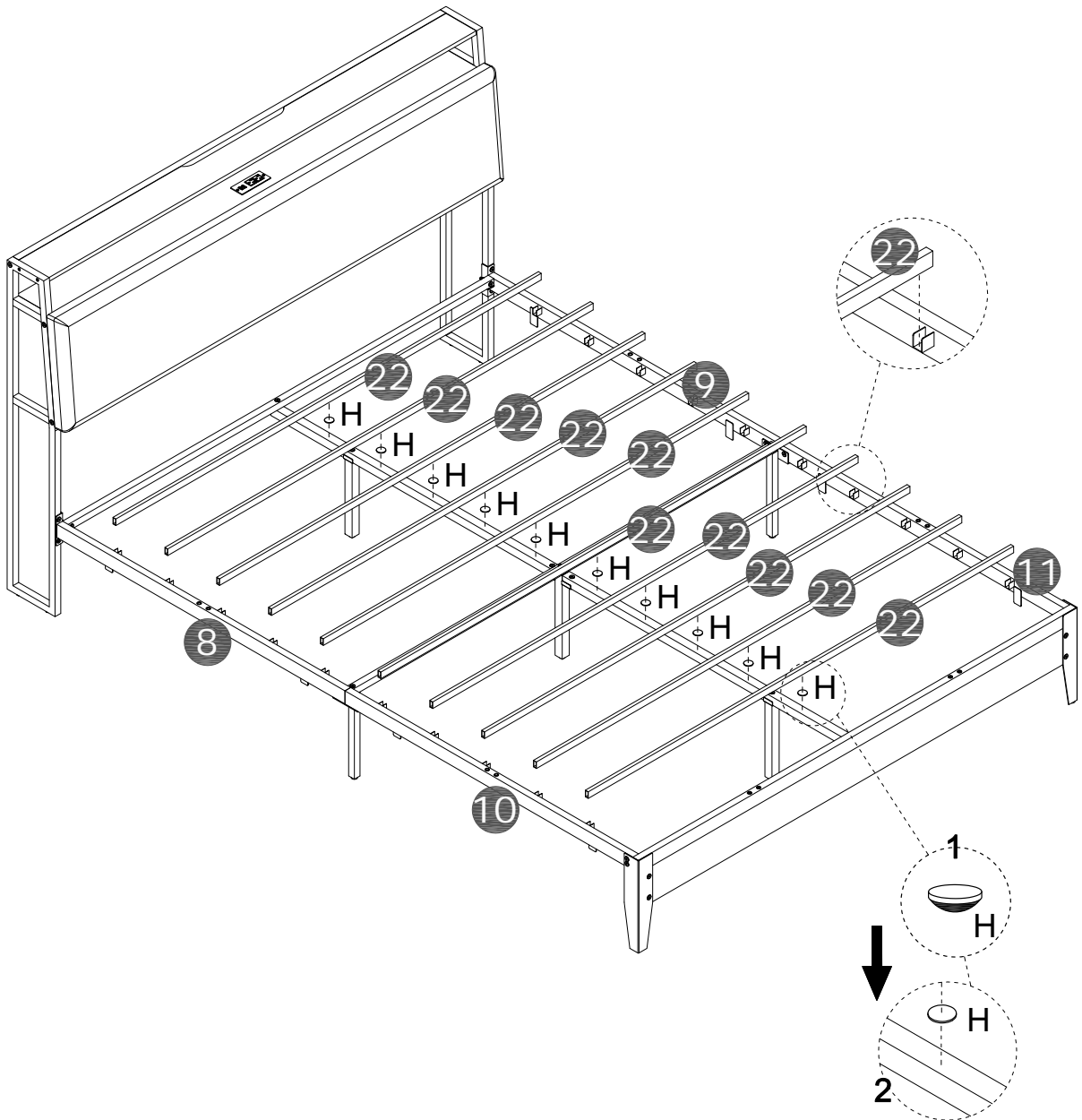
STEP 16



J	M4	
F	3	M6*35MM 

Assembly steps(EN)

STEP 17

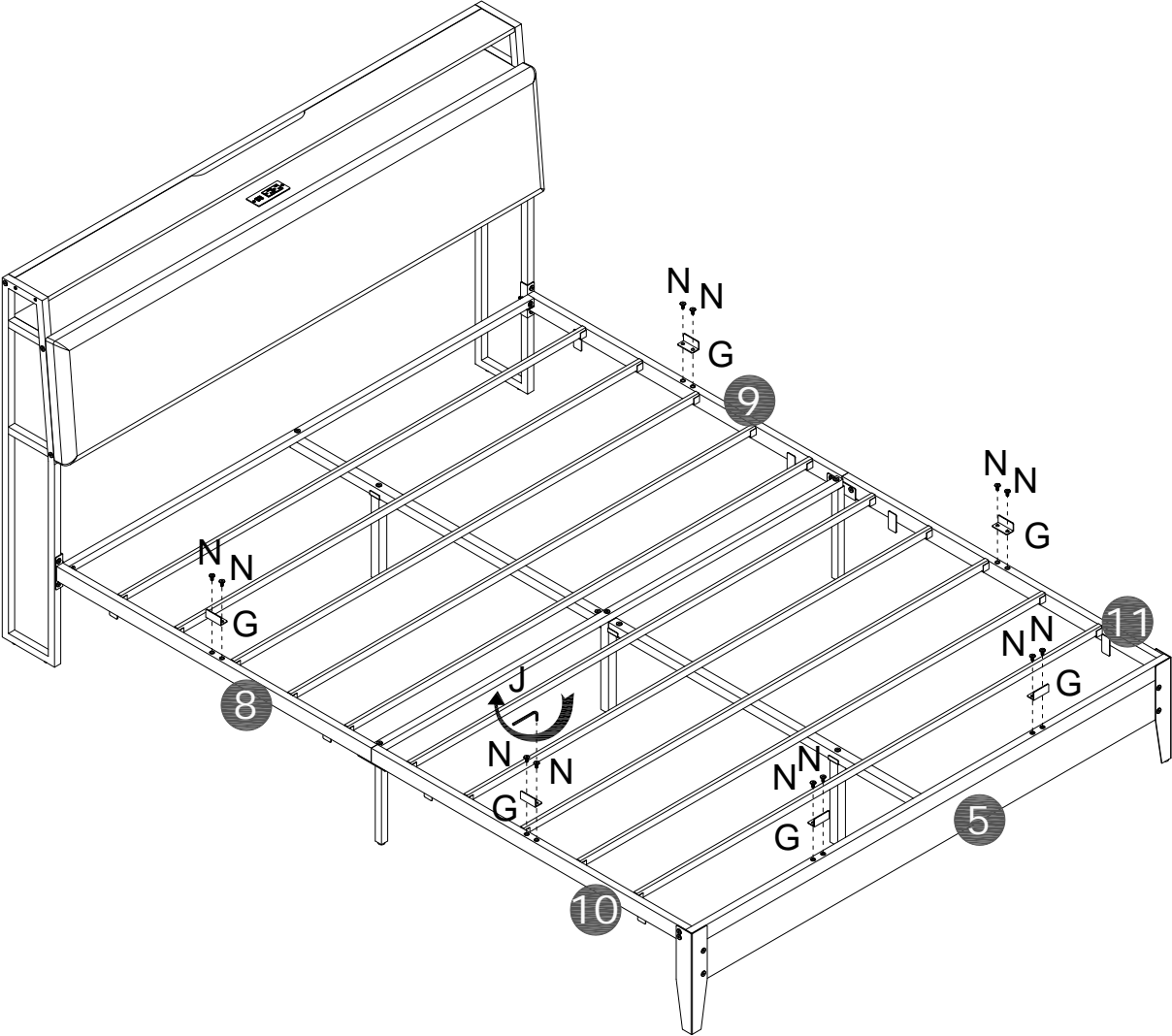


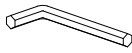
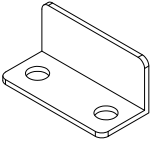
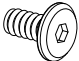
Paste a mute sticker under each horizontal tube

H	10	
---	----	--

Assembly steps(EN)

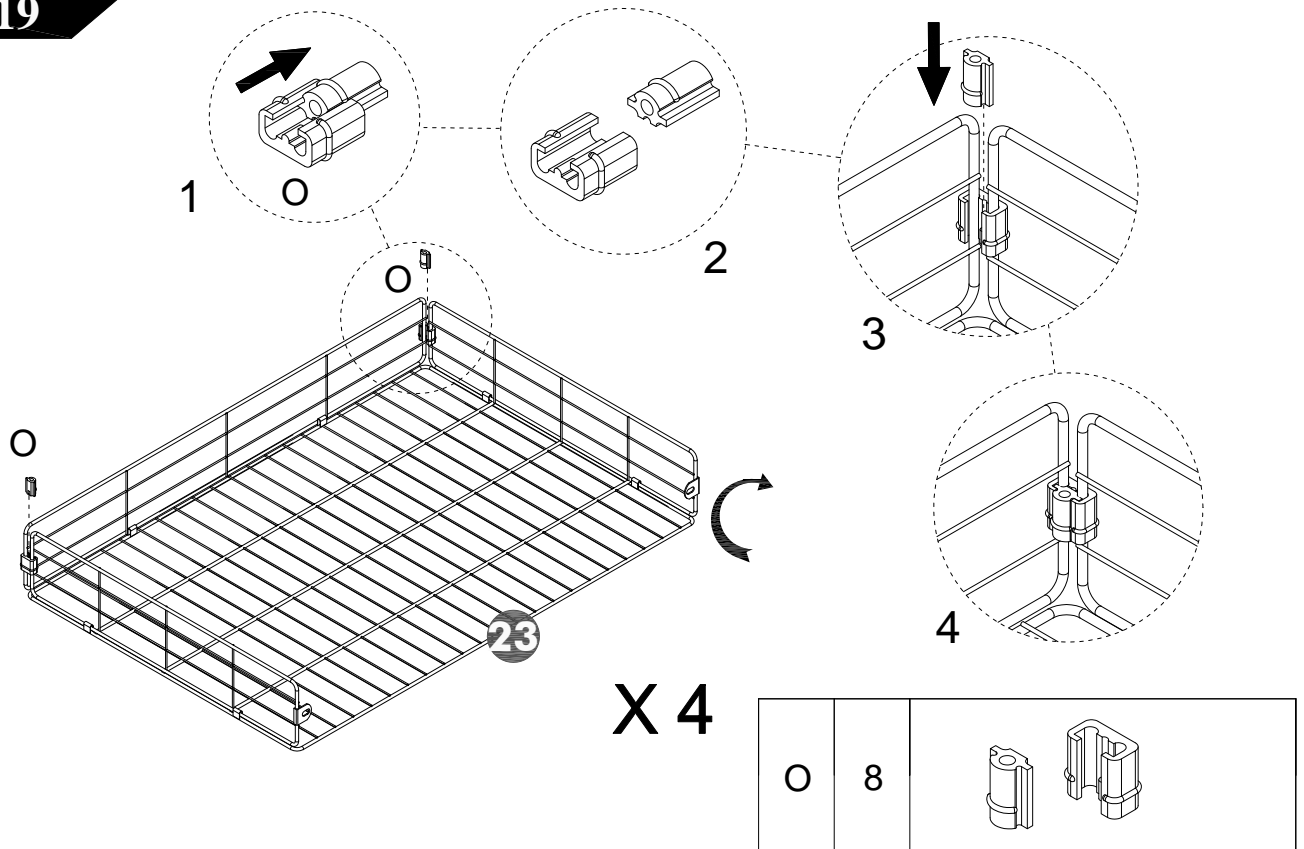
STEP 18



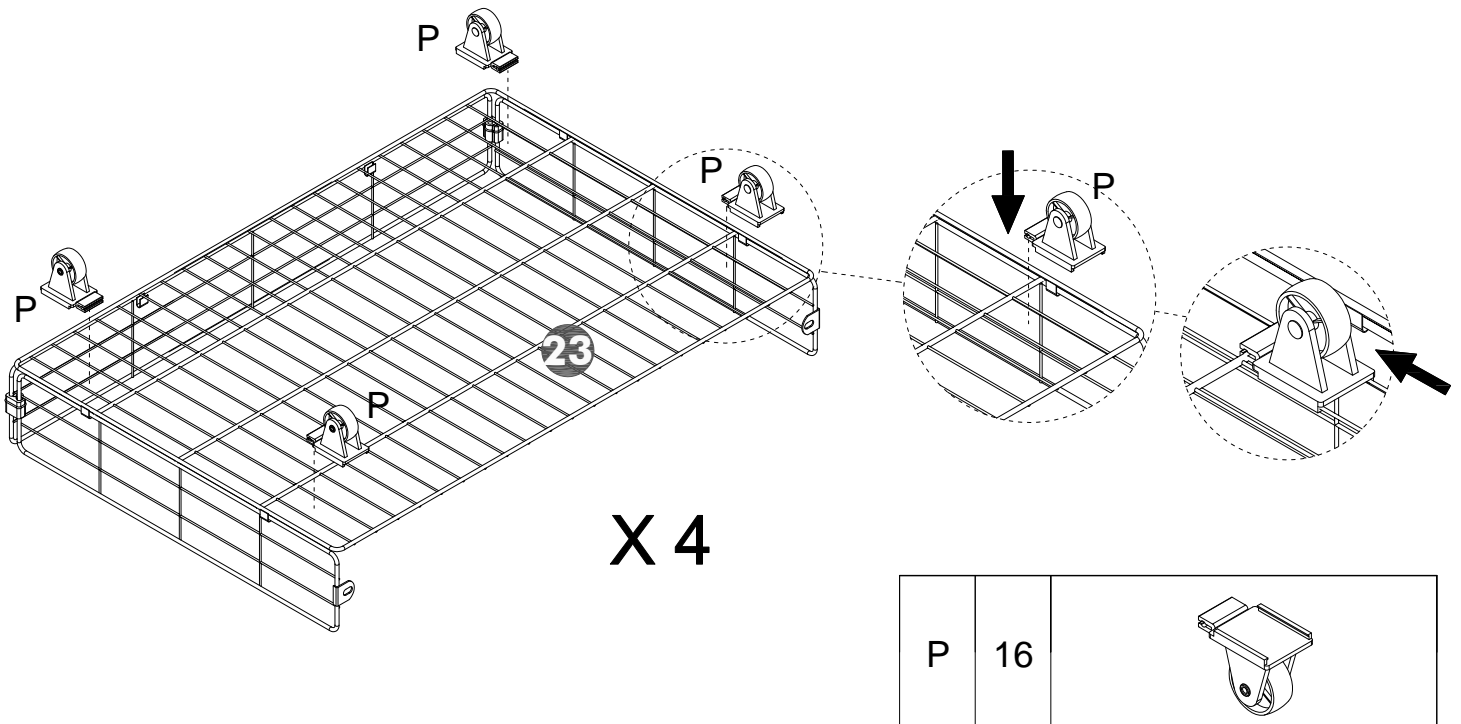
J	M4	
G	6	
N	12	M6*15MM 

Assembly steps(EN)

STEP 19

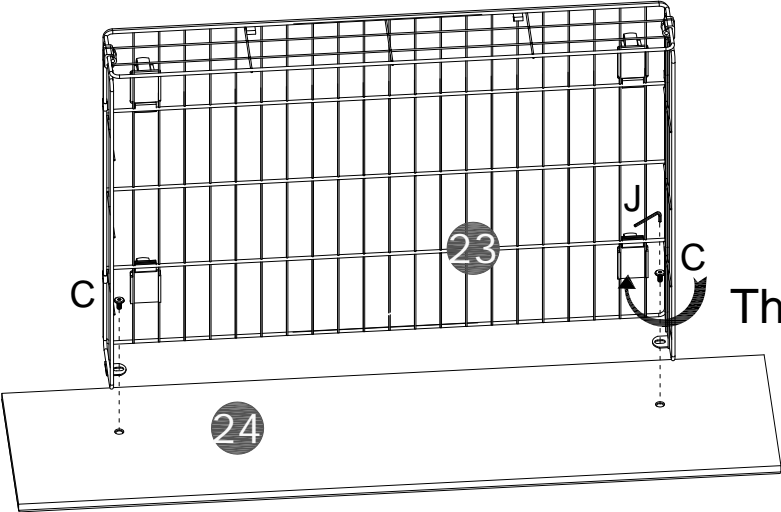


STEP 20



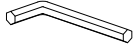

Assembly steps(EN)

STEP 21

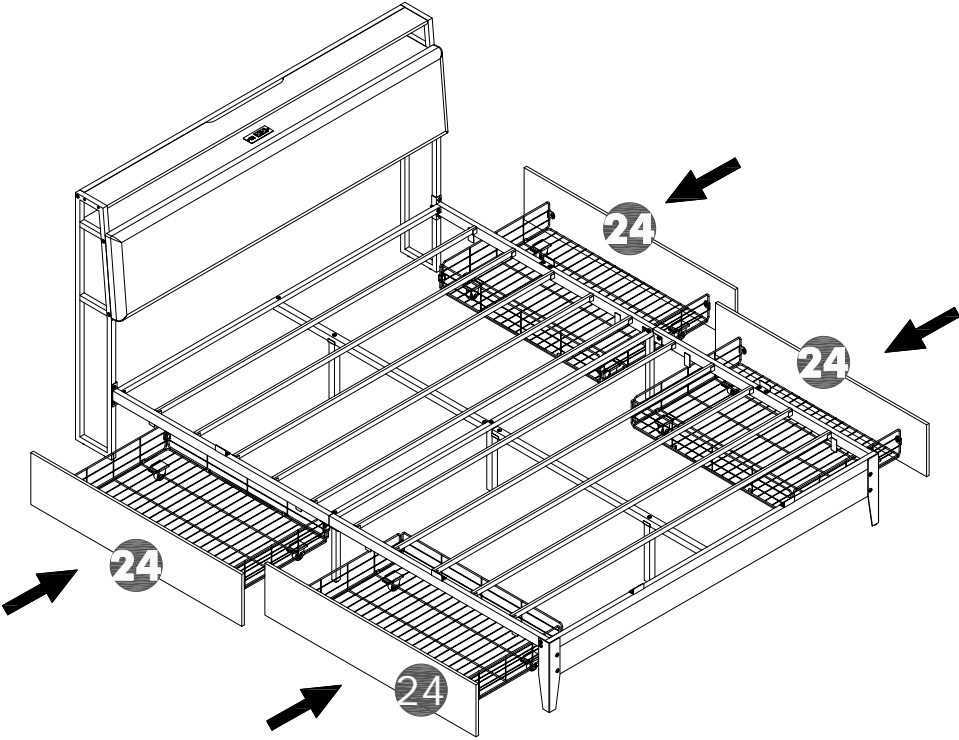


The distance is small

X 4

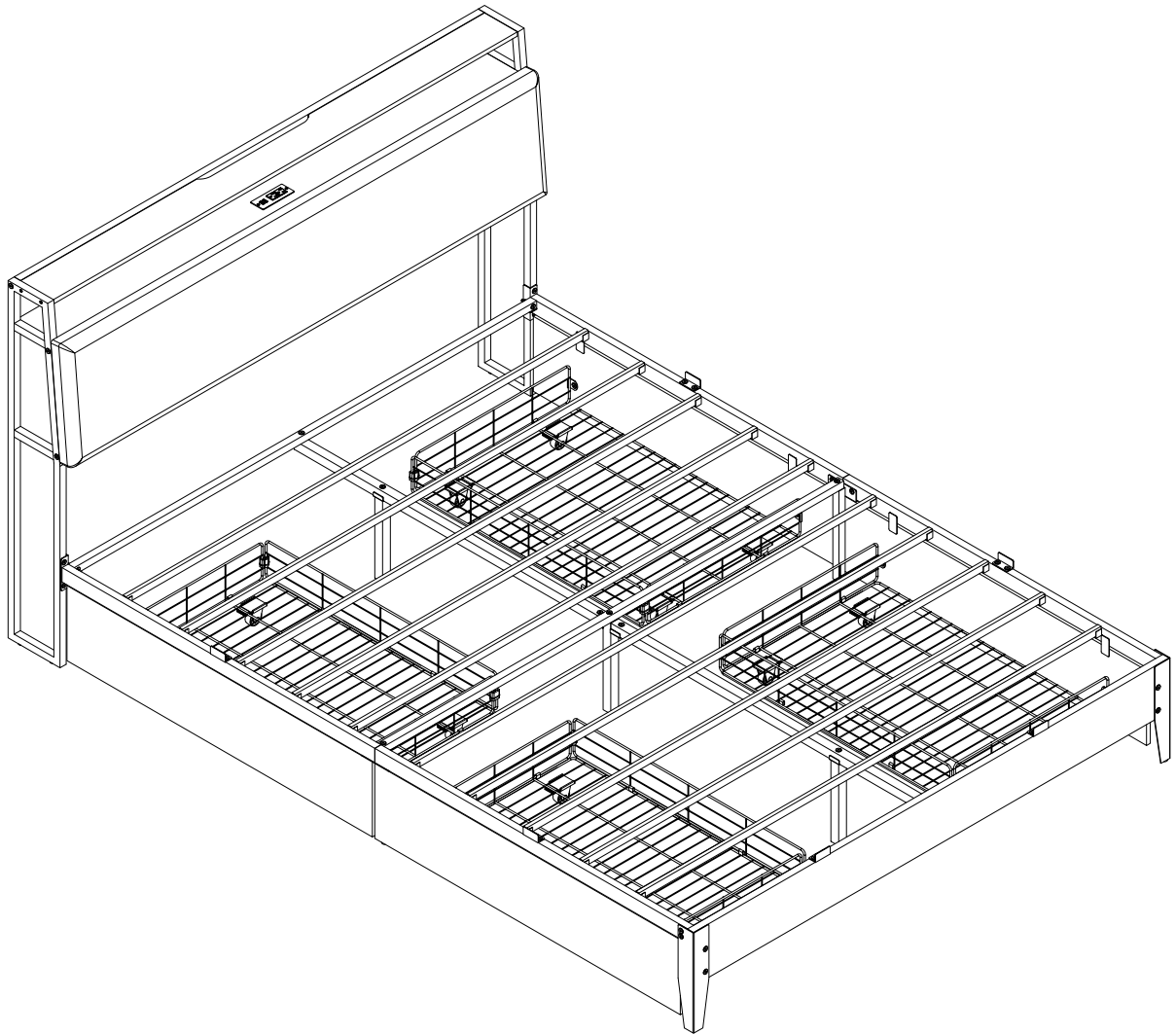
J	M4	
C	8	M6*10MM 

STEP 22



Assembly steps(EN)

STEP 23



Final Assembly
