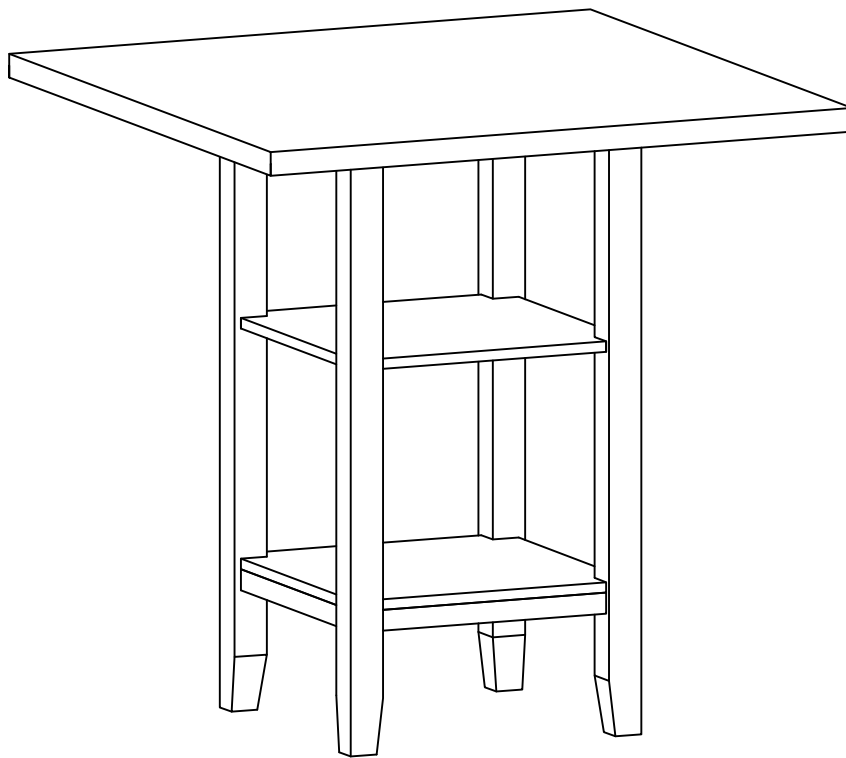
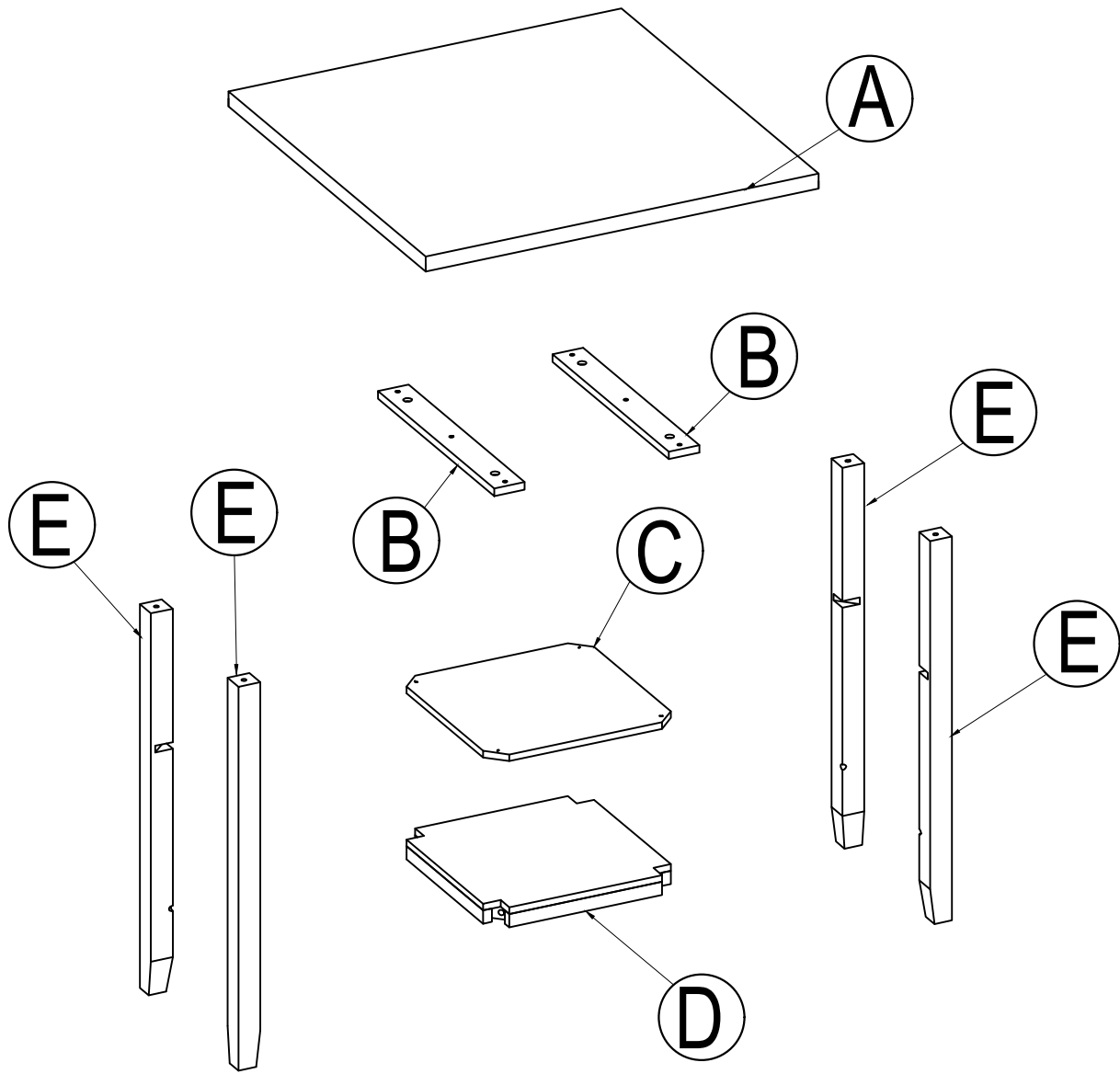


ASSEMBLY INSTRUCTIONS



IMPORTANT NOTE :

- ① PLACE ALL PARTS ON A CLEAN AND SMOOTH SURFACE SUCH AS A RUG OR CARPET TO AVOID THE PARTS FROM BEING SCRATCHED.
- ② BEFORE YOU BEGIN, KINDLY FOLLOW THE ASSEMBLY INSTRUCTIONS STEP BY STEP.
- ③ DO NOT TIGHTEN ALL SCREWS AND BOLTS UNTIL THE CHAIR IS FULLY SET-UP.



Part List

Hardware List

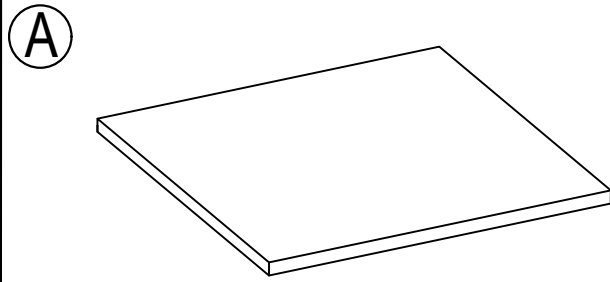
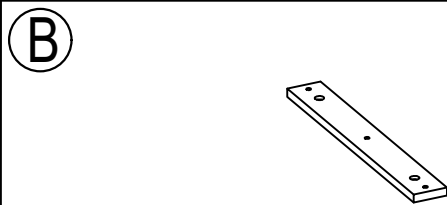
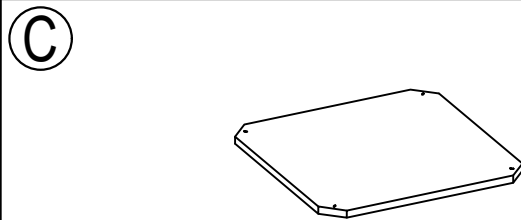


TABLE TOP (1 pc)



BASE PANEL (2 pcs)



SHELVES PANEL (1 pc)

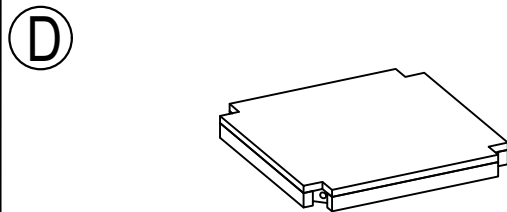


TABLE SHELVES (1 pc)

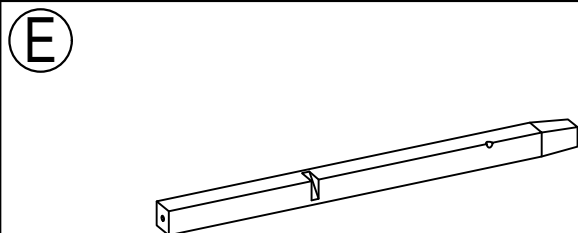
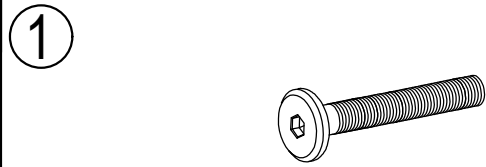
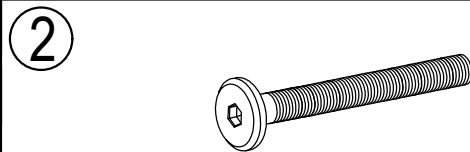


TABLE LEG (4 pcs)



Ø 1/4" x 35mm

BOLT (10 pcs)



Ø 1/4" x 55 mm

BOLT (4 pcs)



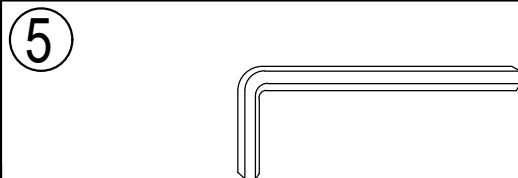
Ø5/16" x 13 mm

FLAT WASHER (14 pcs)



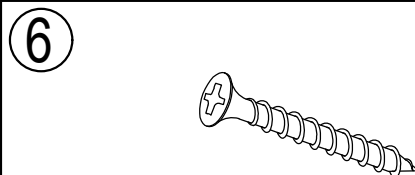
Ø5/16" x 19 mm

LOCK WASHER (10 pcs)



4 mm

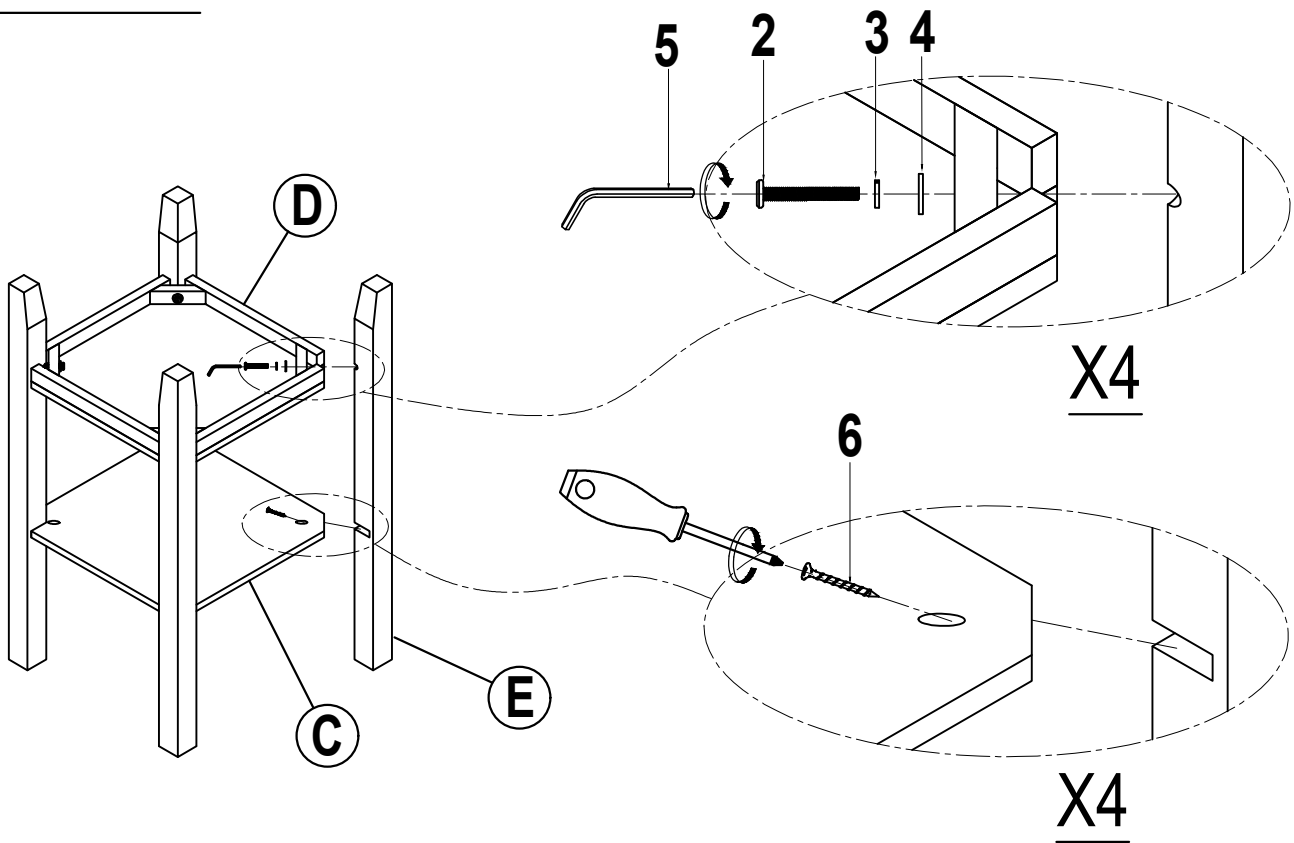
ALLEN KEY (1pc)



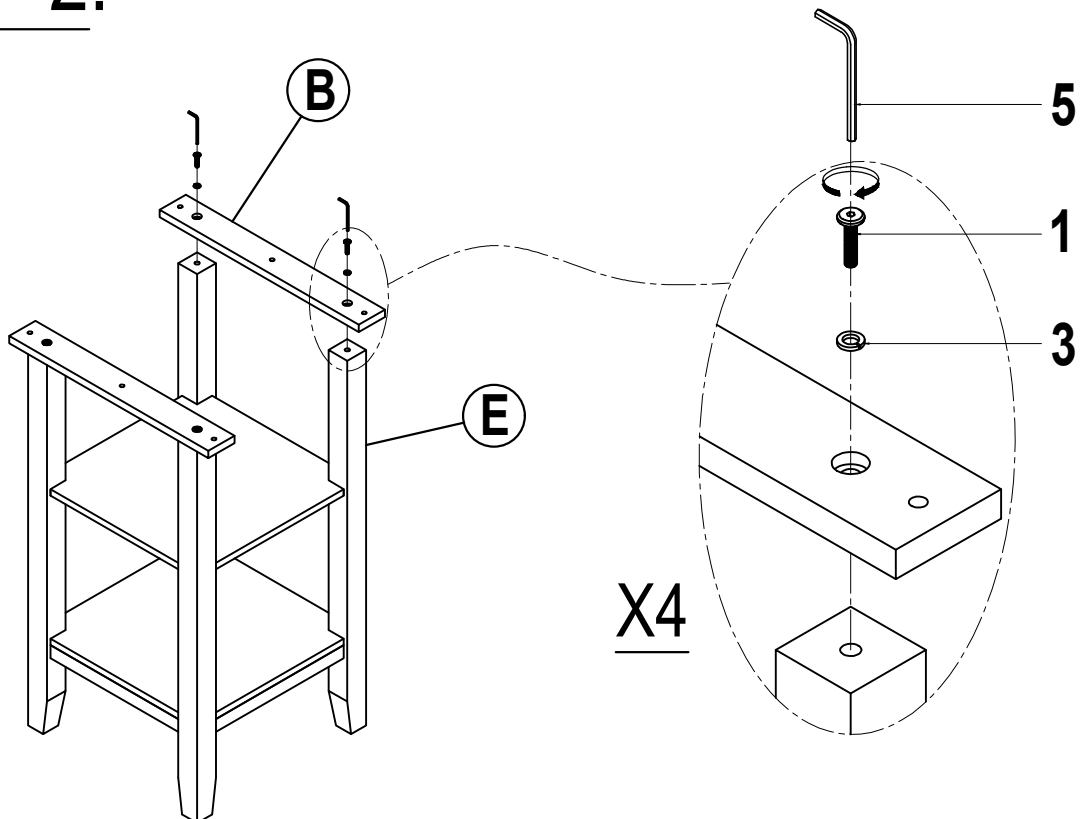
Ø 4 x 38 mm

WOOD SCREWS (4 pcs)

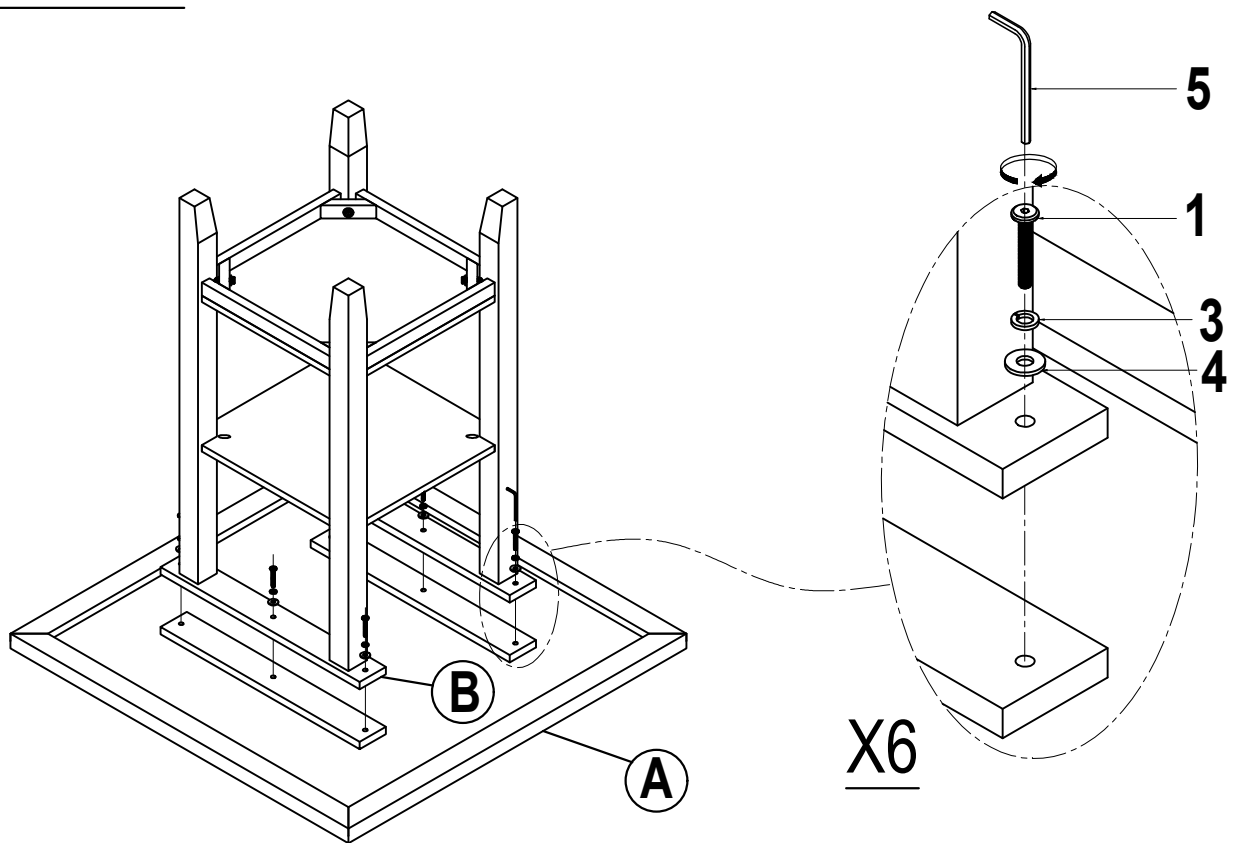
STEP 1:



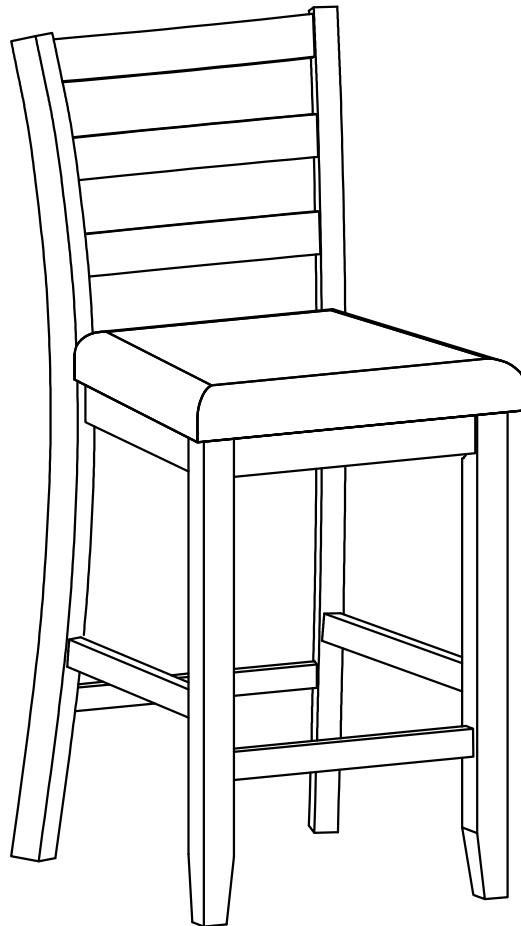
STEP 2:



STEP 3:

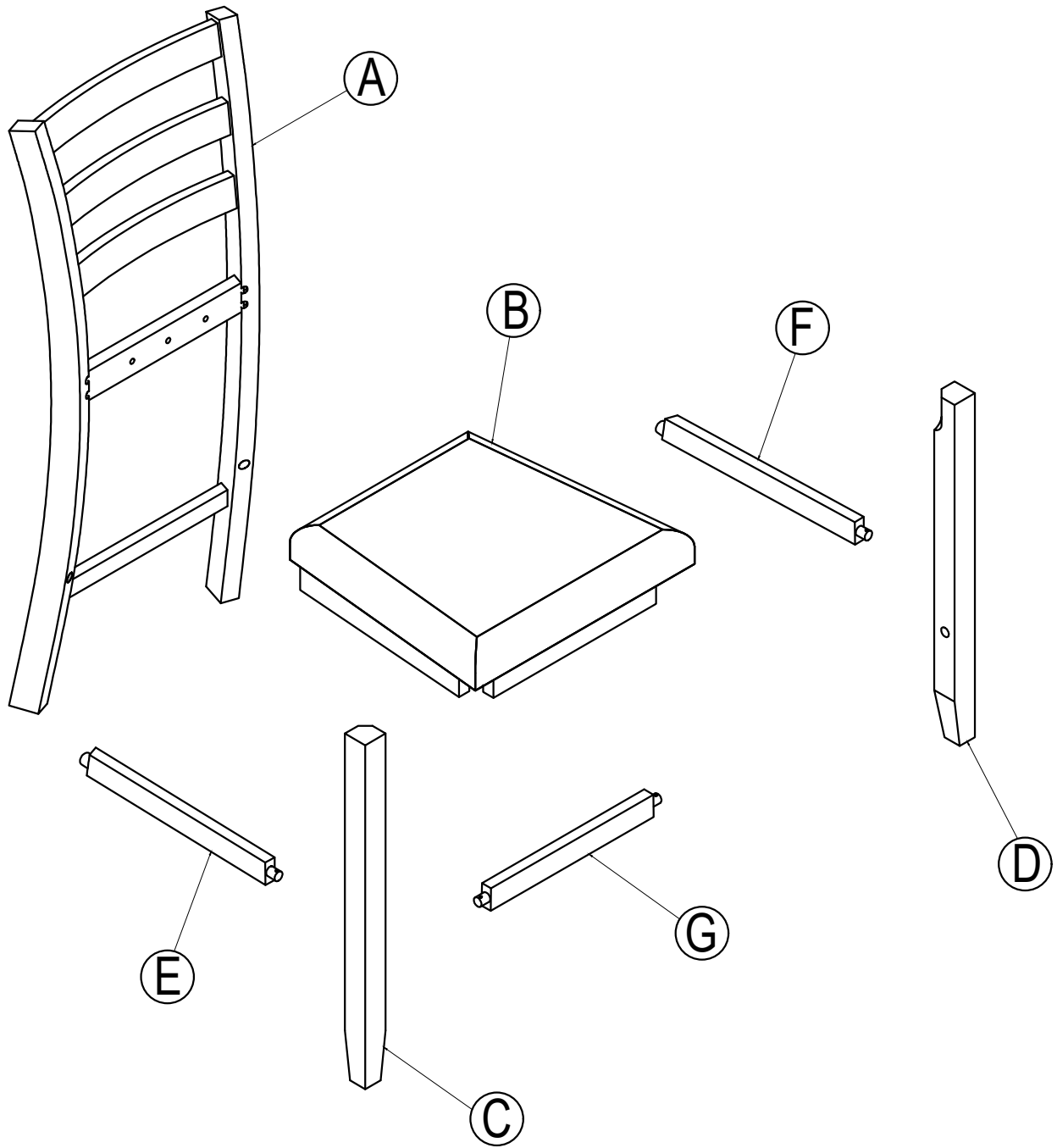


ASSEMBLY INSTRUCTIONS



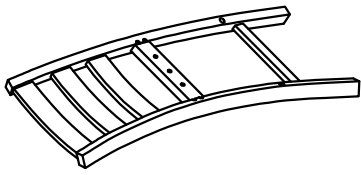
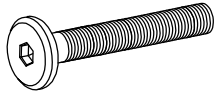
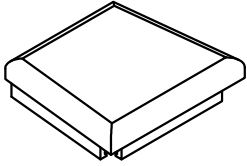
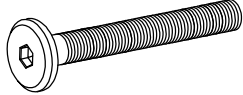
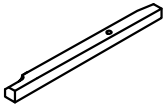
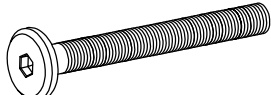
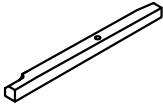

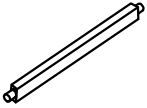
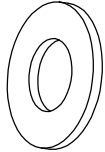
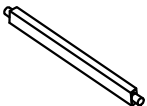

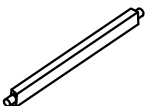

IMPORTANT NOTE :

- ① PLACE ALL PARTS ON A CLEAN AND SMOOTH SURFACE SUCH AS A RUG OR CARPET TO AVOID THE PARTS FROM BEING SCRATCHED.
- ② BEFORE YOU BEGIN,KINDLY FOLLOW THE ASSEMBLY INSTRUCTIONS STEP BY STEP.
- ③ DO NOT TIGHTEN ALL SCREWS AND BOLTS UNTIL THE CHAIR IS FULLY SET-UP.

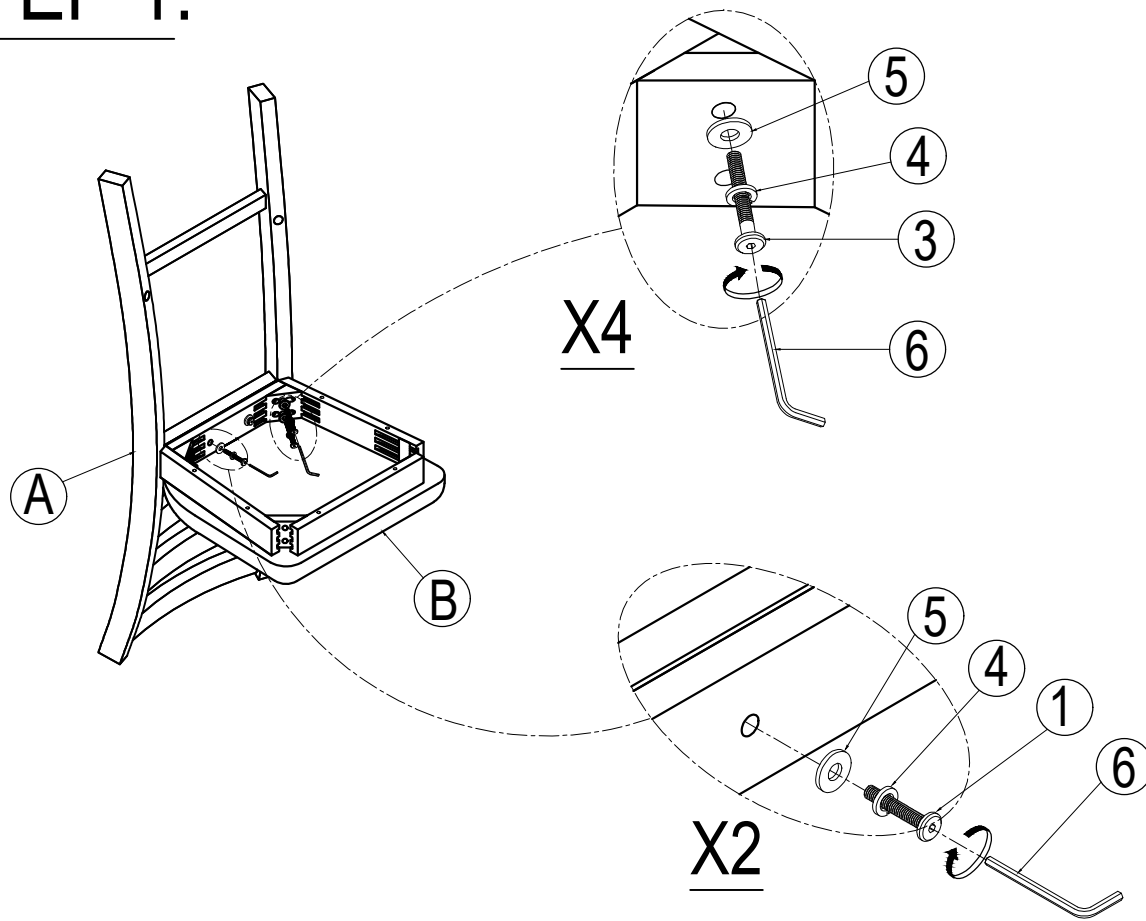


Part List

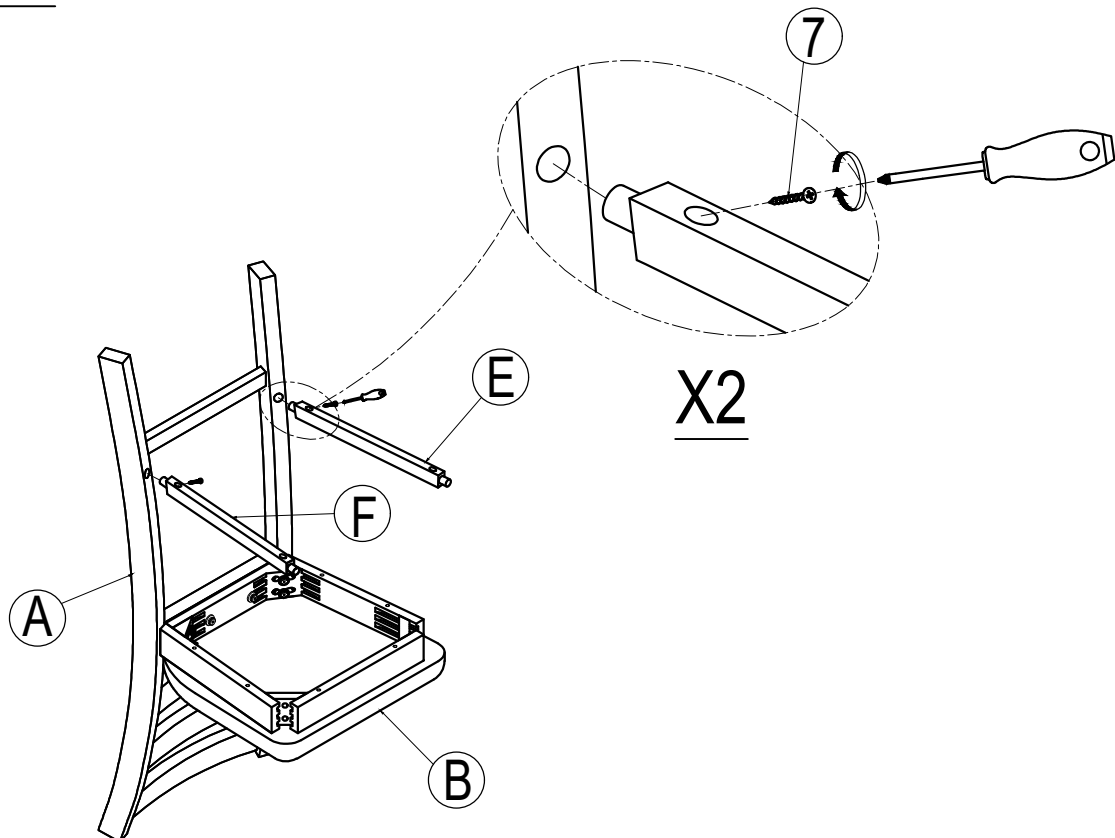
Hardware List

<p>(A)</p> 	<p>(1)</p>  <p>Ø 1/4" x 40 mm</p>
<p>BACK FRAME (4 pcs)</p>	<p>BOLT (8pcs)</p>
<p>(B)</p> 	<p>(2)</p>  <p>Ø 1/4" x 55 mm</p>
<p>SEAT FRAME (4 pcs)</p>	<p>BOLT (16 pcs)</p>
<p>(C)</p> 	<p>(3)</p>  <p>Ø 1/4" x 75 mm</p>
<p>LEG LEFT (4 pcs)</p>	<p>BOLT (16 pcs)</p>
<p>(D)</p> 	<p>(4)</p>  <p>Ø5/16" x 13 mm</p>
<p>LEG RIGHT (4 pcs)</p>	<p>FLAT WASHER (40 pcs)</p>
<p>(E)</p> 	<p>(5)</p>  <p>Ø5/16" x 19 mm</p>
<p>LEFT SIDE STRETCHER (4 pcs)</p>	<p>LOCK WASHER (40 pcs)</p>
<p>(F)</p> 	<p>(6)</p>  <p>4 mm</p>
<p>RIGHT SIDE STRETCHER (4 pcs)</p>	<p>ALLEN KEY (1 pc)</p>
<p>(G)</p> 	<p>(7)</p>  <p>Ø4 x 38 mm</p>
<p>FRONT STRETCHER (4 pcs)</p>	<p>WOOD SCREWS (24 pcs)</p>

STEP 1:



STEP 2:



STEP 3:

