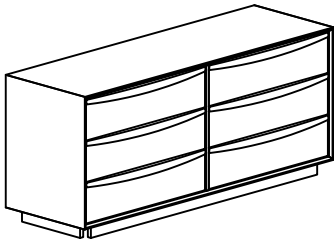


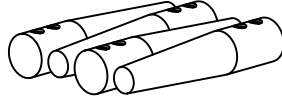
Product Assembly Instructions

DRESSER

PART LIST



A : DRESSER x1



B : LEG x4

HARDWARE LIST



C : JCBC SCREW M6 x 70mm x8



D : SPRING WASHER 1/4 " x8



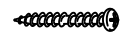
E : FLAT WASHER x8



F : M4 ALLEN KEY (BALL SHAPE) LONG x1



G : WALL SCREW M4 x 18MM x1



H : WALL SCREW M4 x 50MM x1

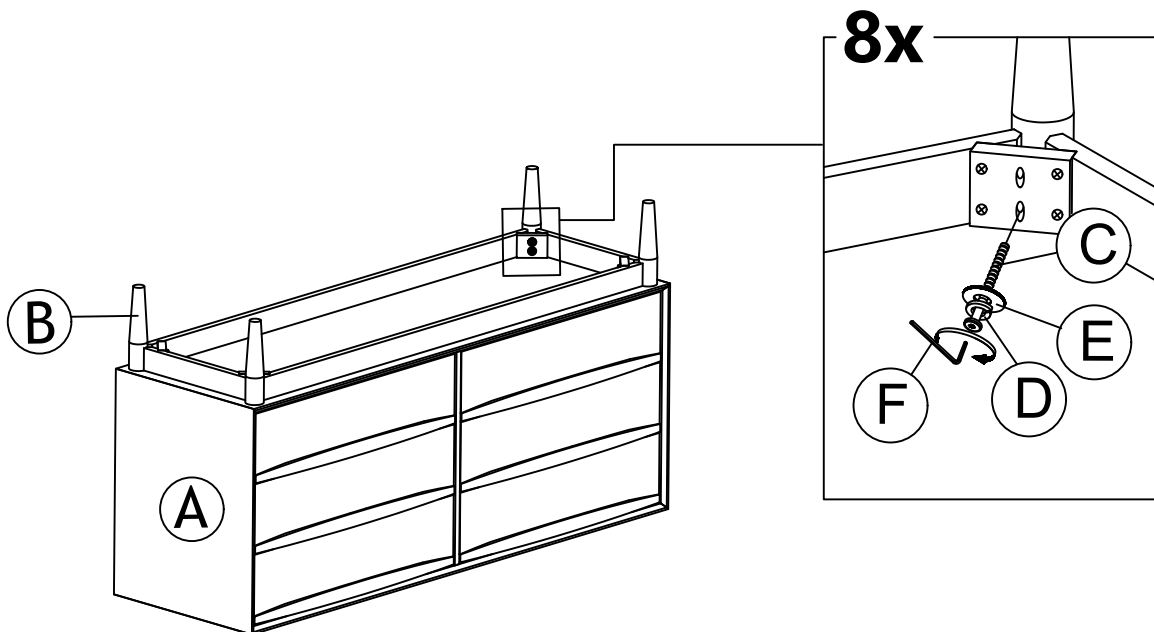


I : L-BRACKET x2

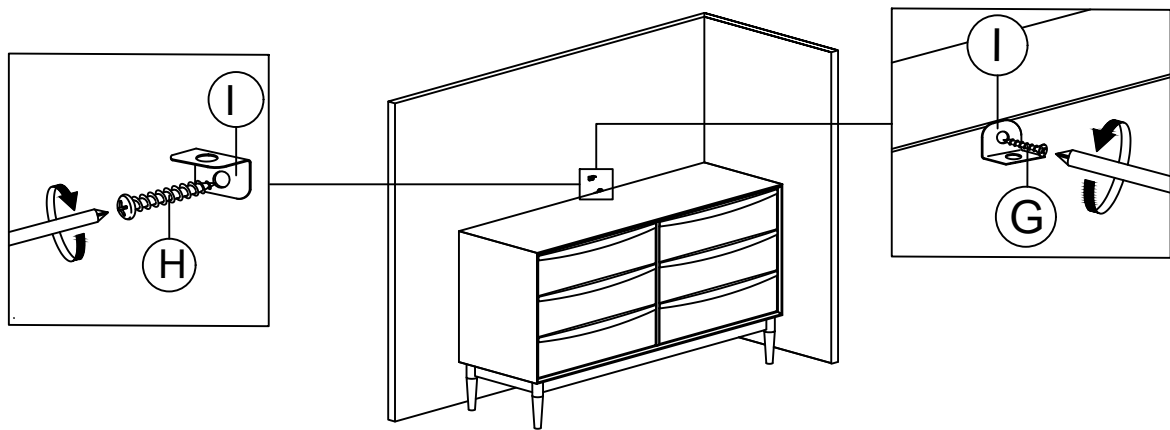


J : BELT x1

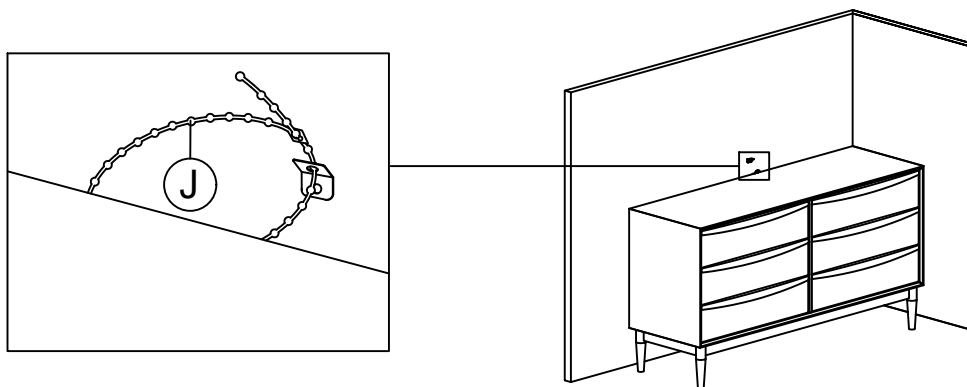
STEP 1



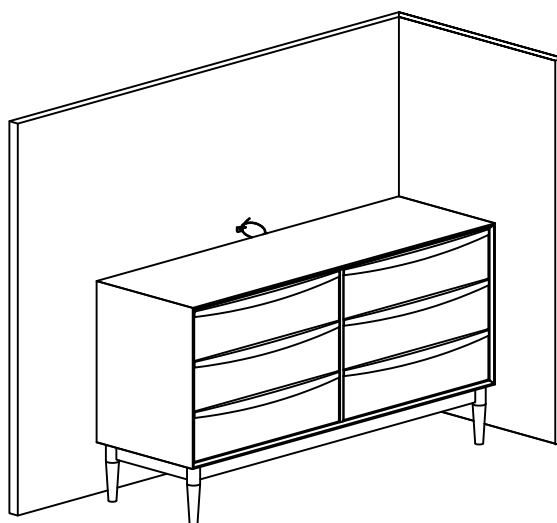
STEP 2



STEP 3



STEP 4



ASSEMBLY COMPLETED