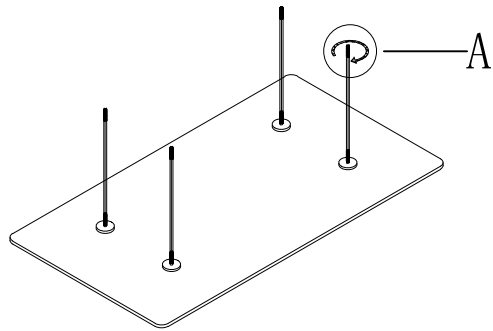
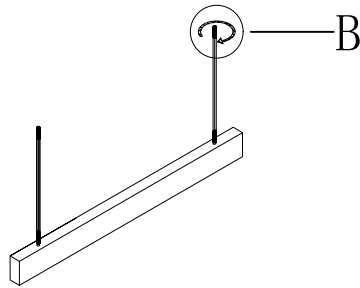


ASSEMBLY INSTRUCTION

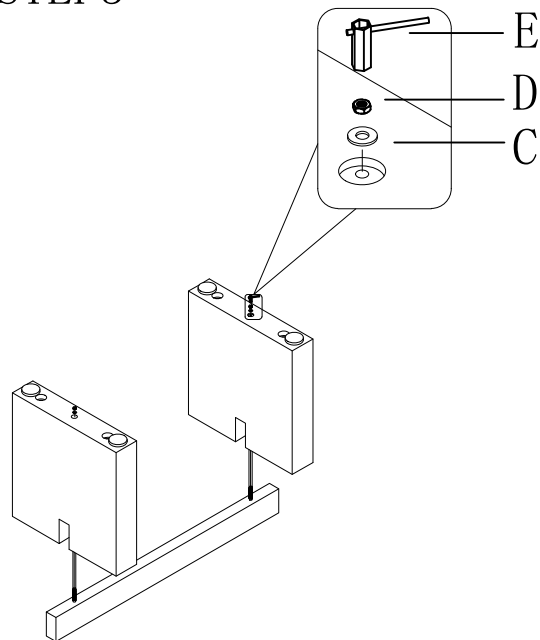
STEP1



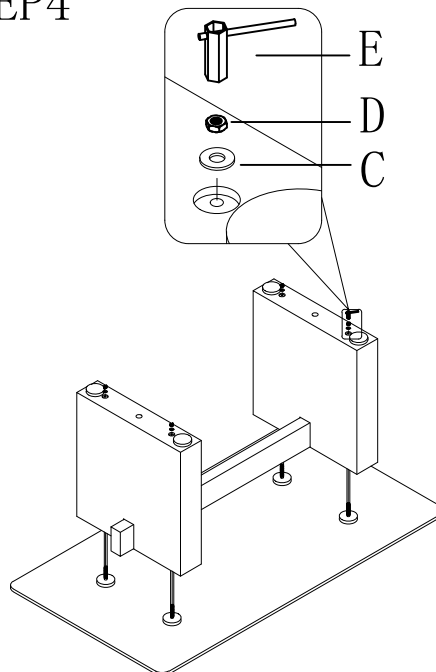
STEP2






STEP3

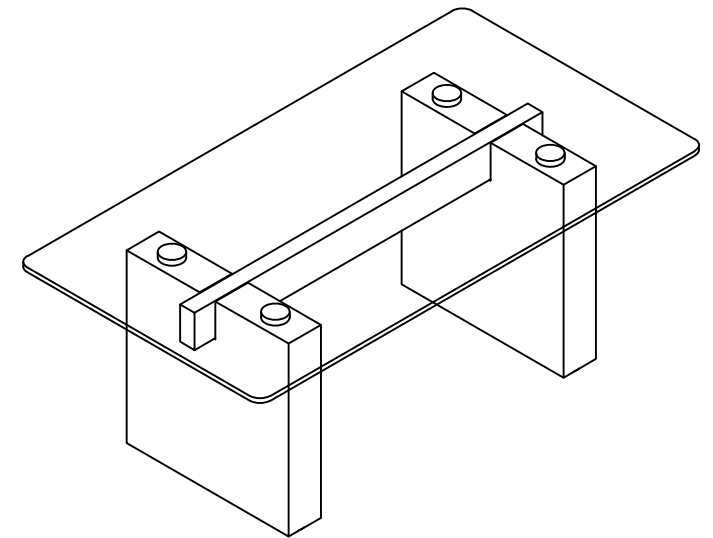


STEP4



HARDWARE LIST

NO.	DESCRIPTION	QTY
A	 M8*420	4pcs
B	 M8*350	2pcs
C	 $\phi 22*1.5$	6pcs
D	 M8	6pcs
E		1pc



DI-117