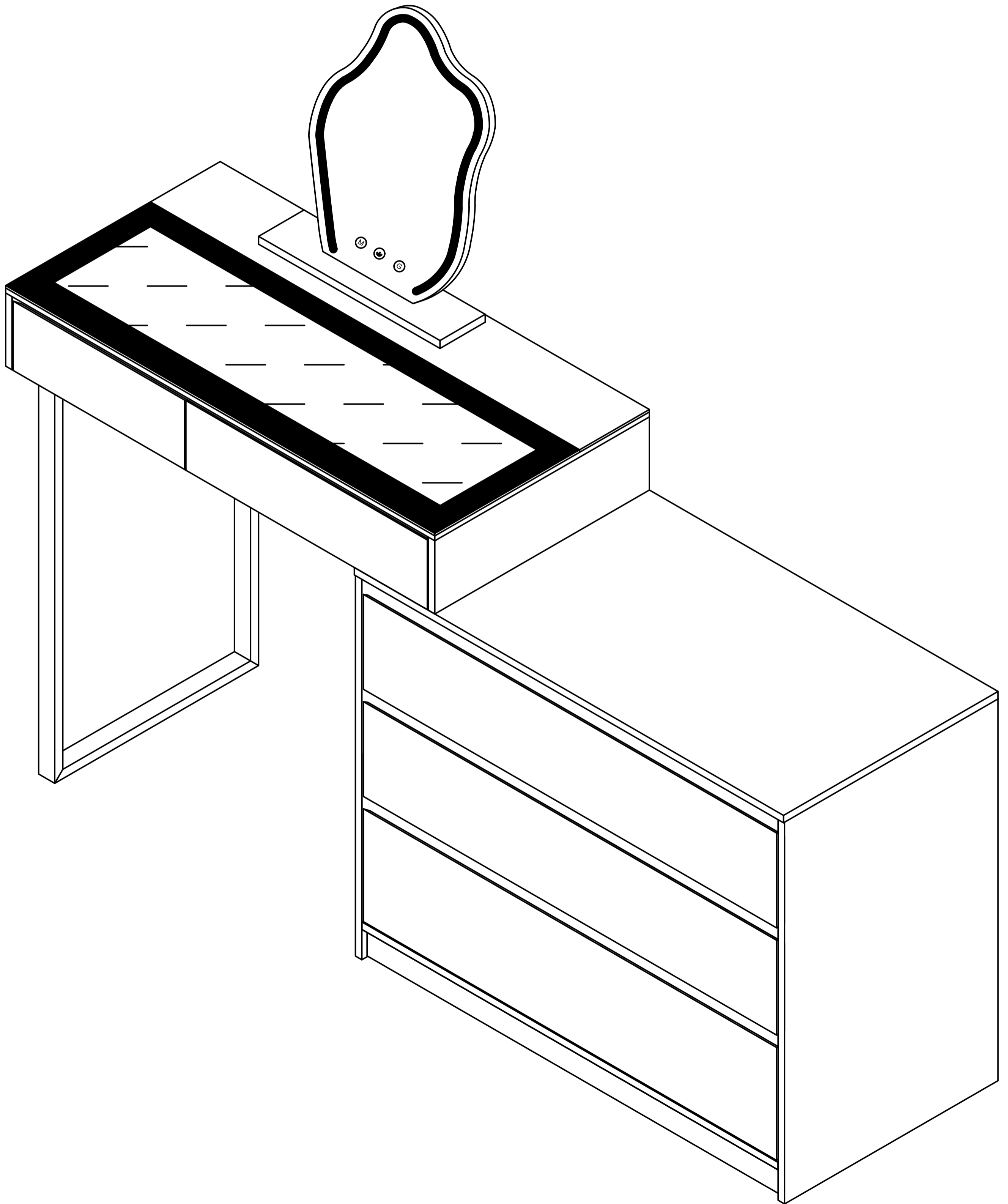
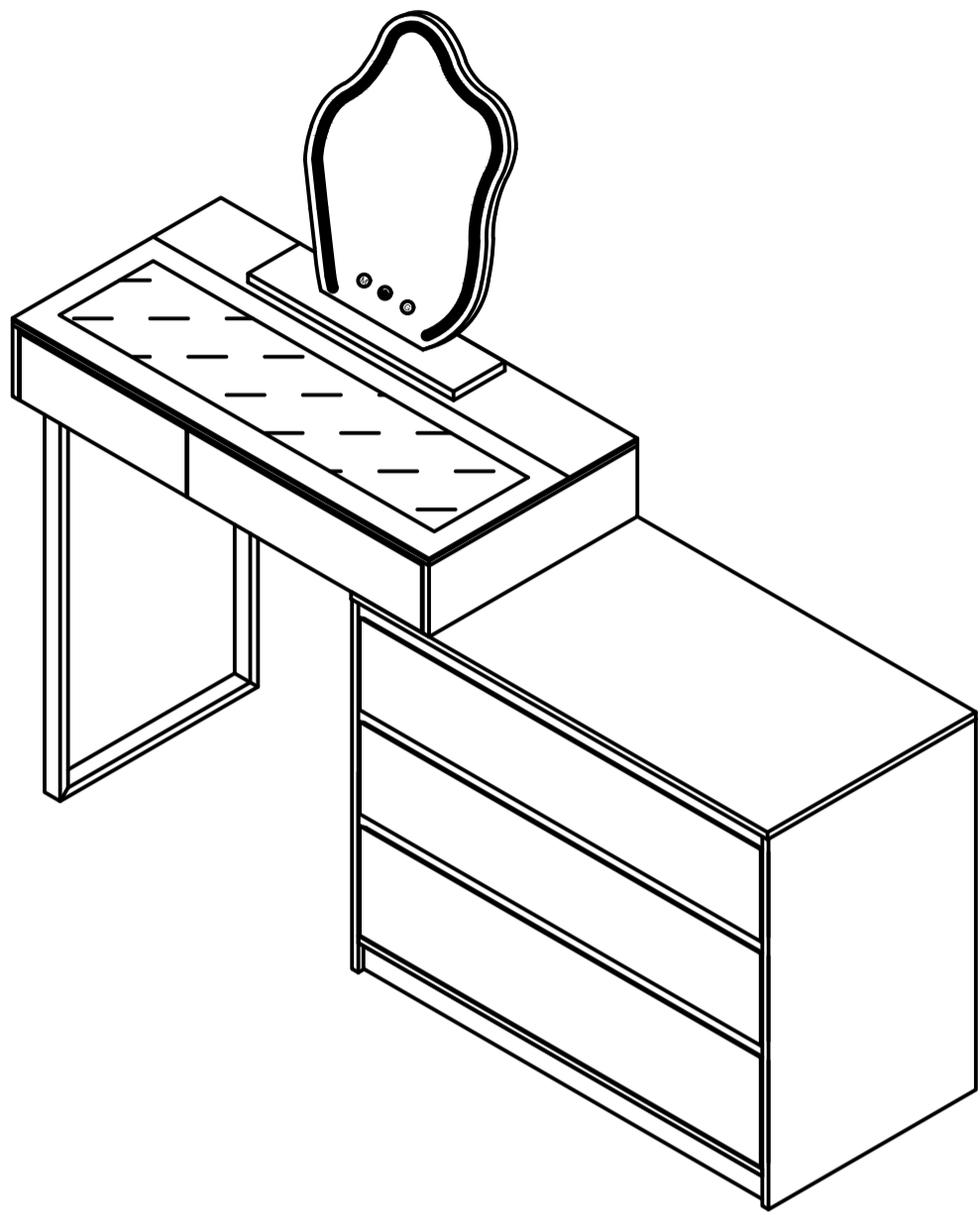


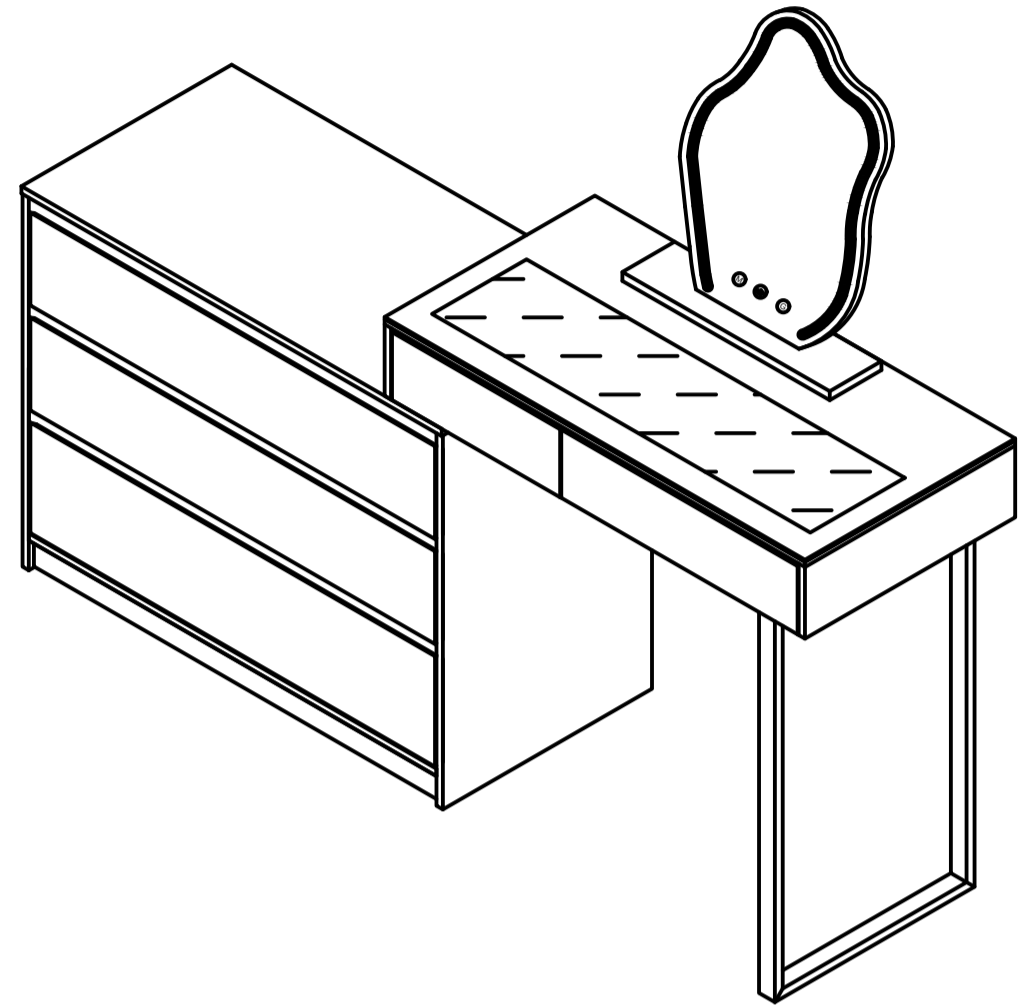
Vanity Table Manual



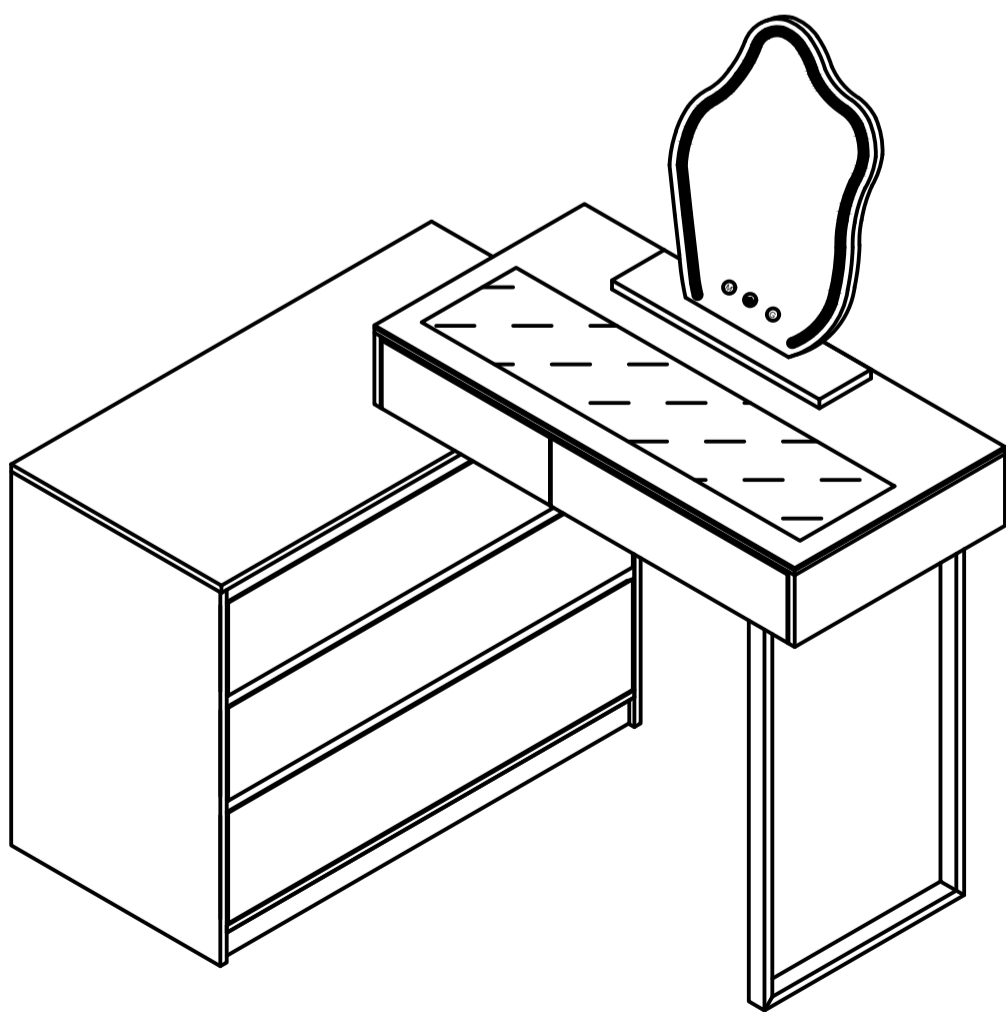
Effect 1



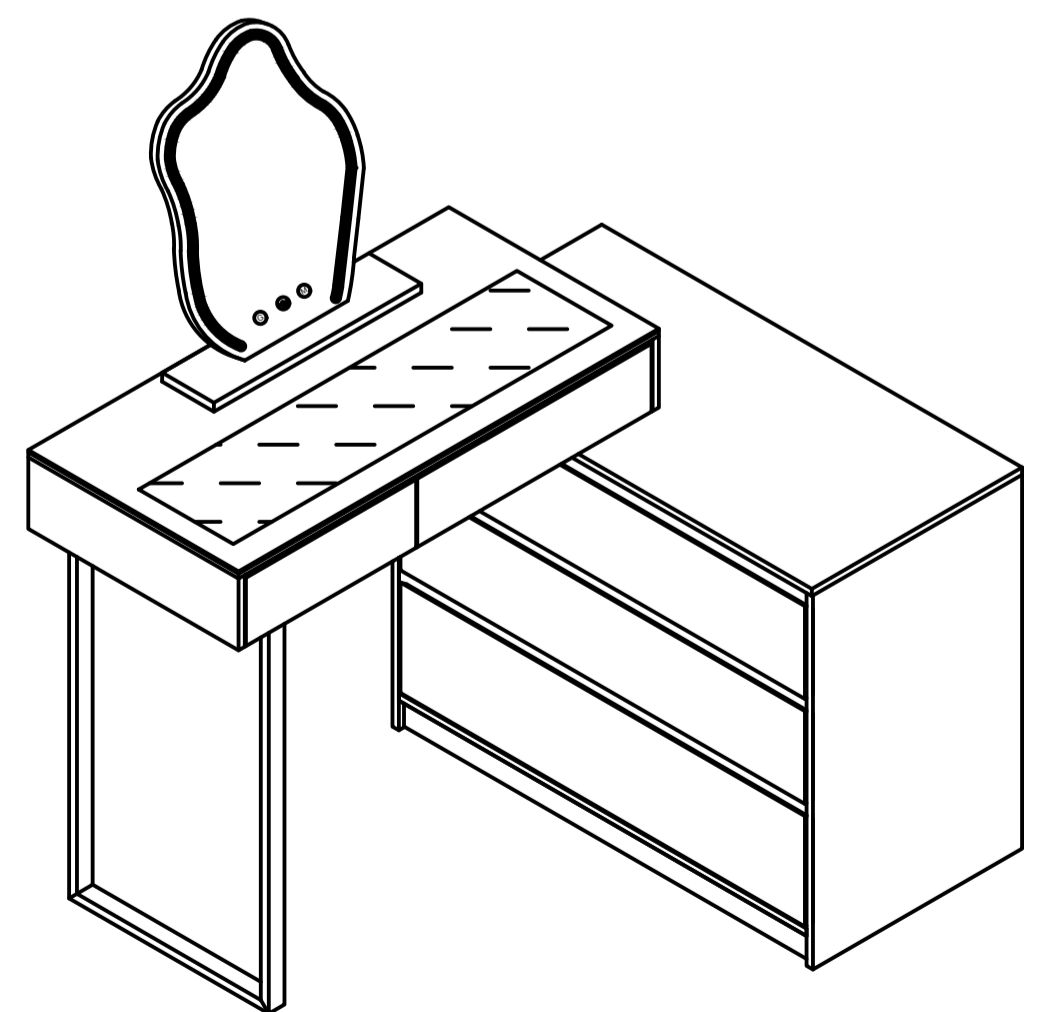
Effect 2

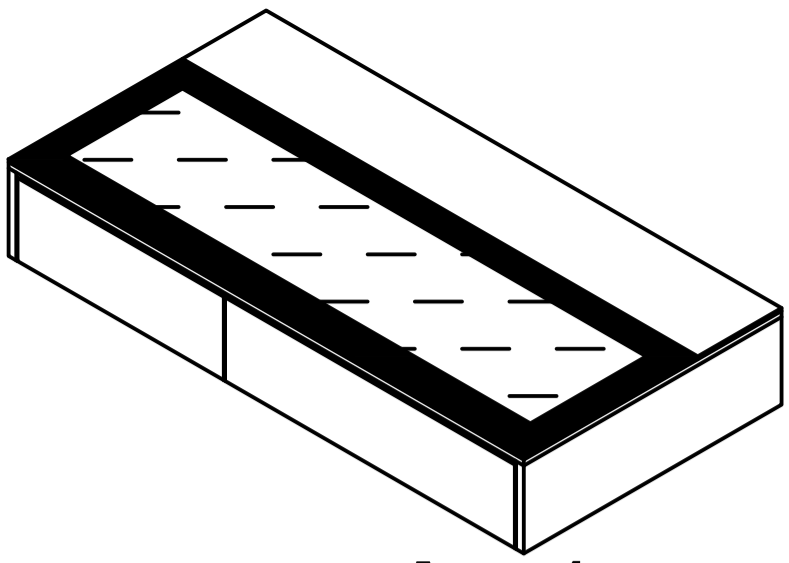


Effect 3

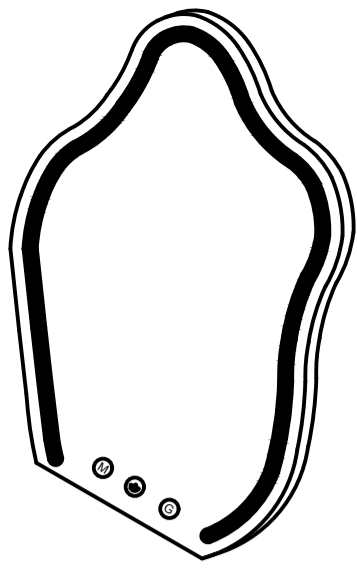


Effect 4

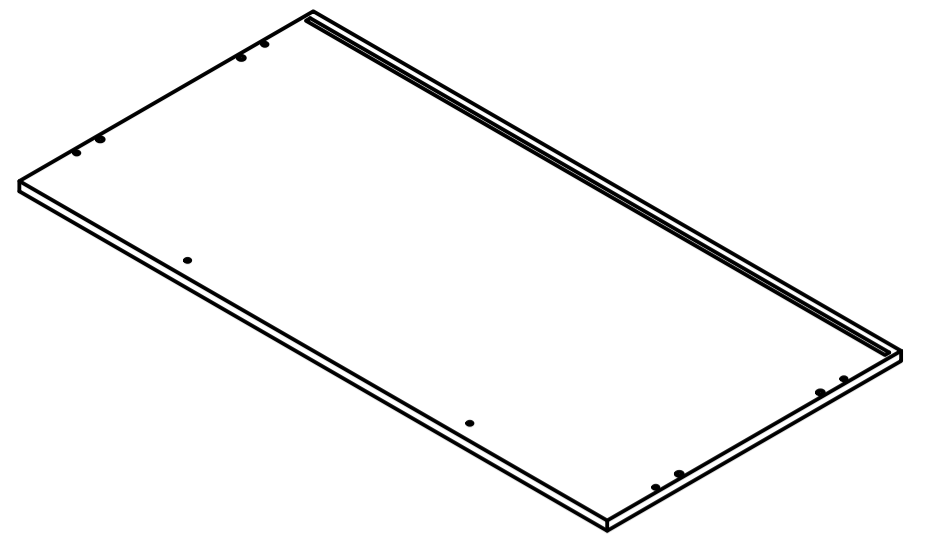




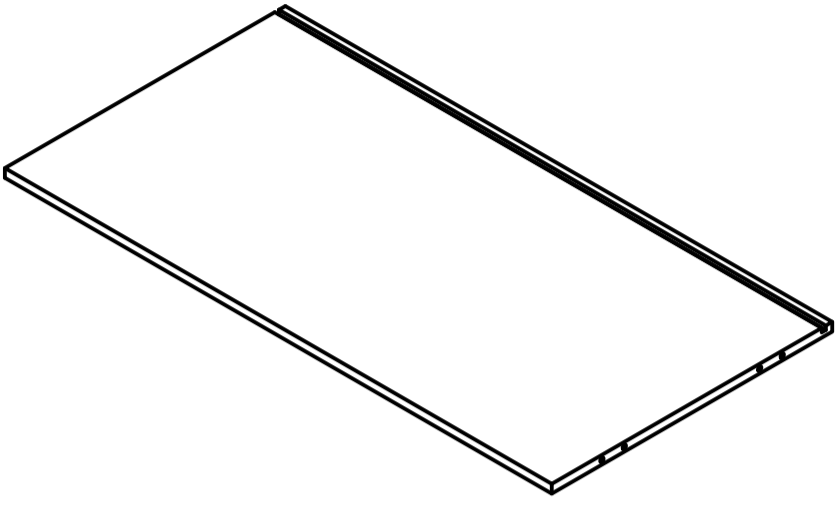
Ax1



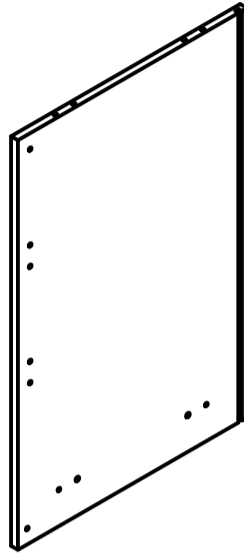
Bx1



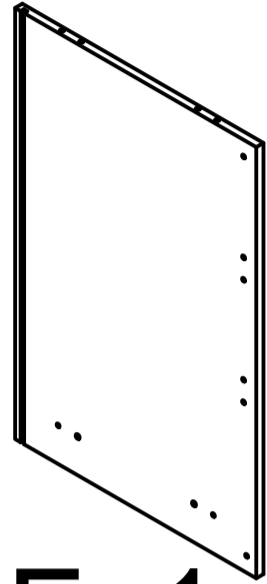
Cx1



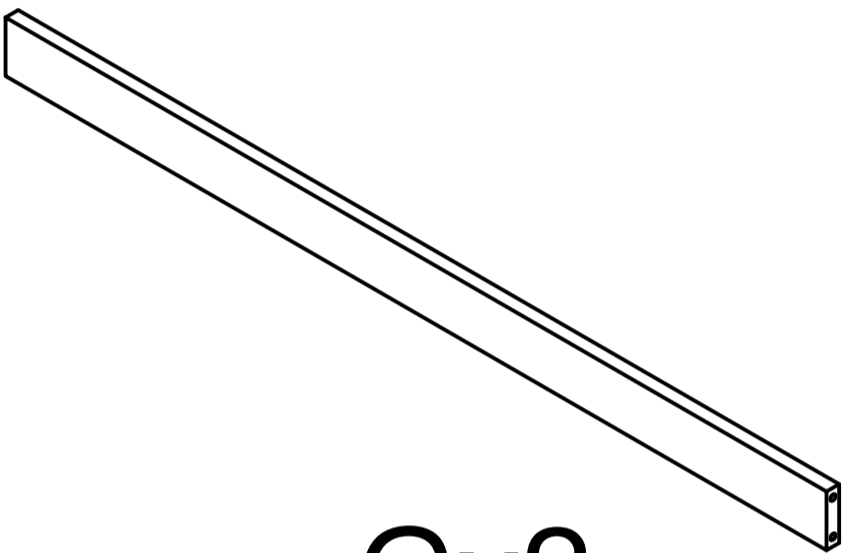
Dx1



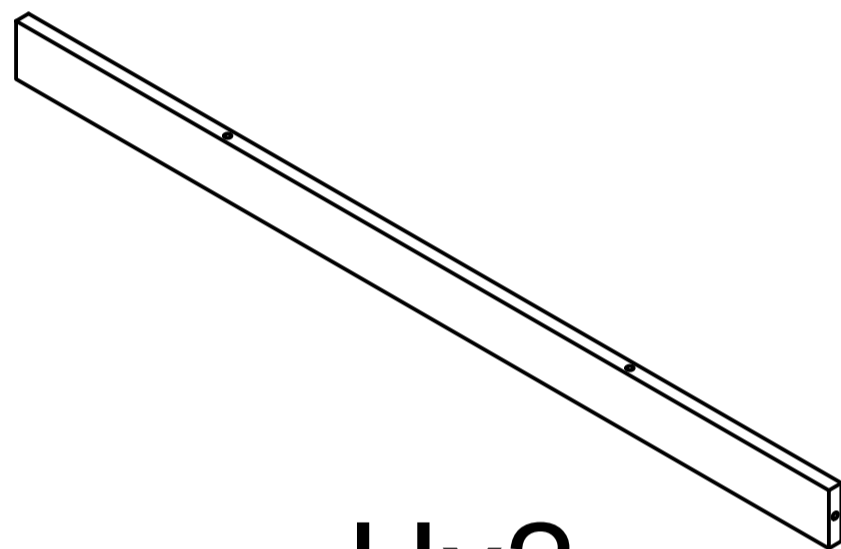
Ex1



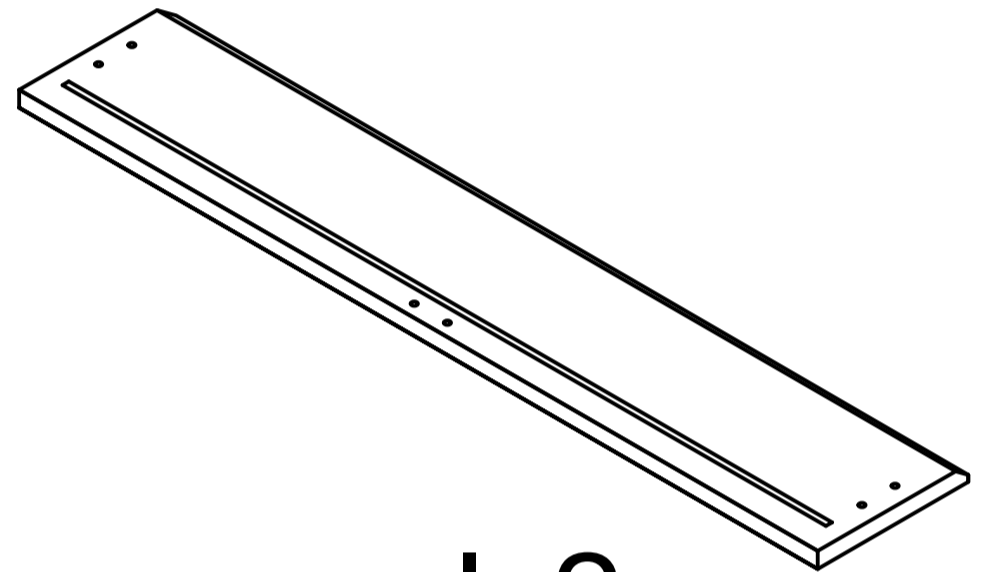
Fx1



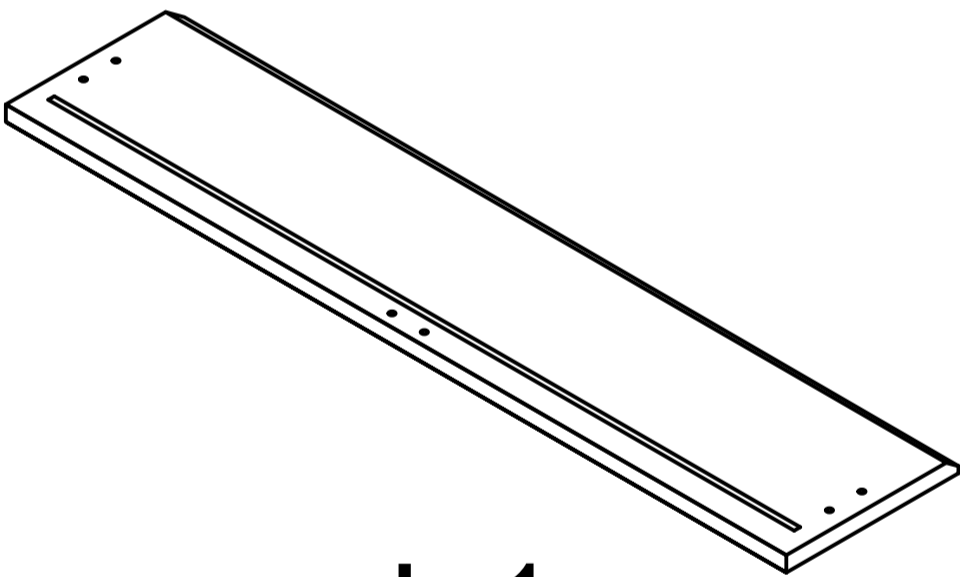
Gx2



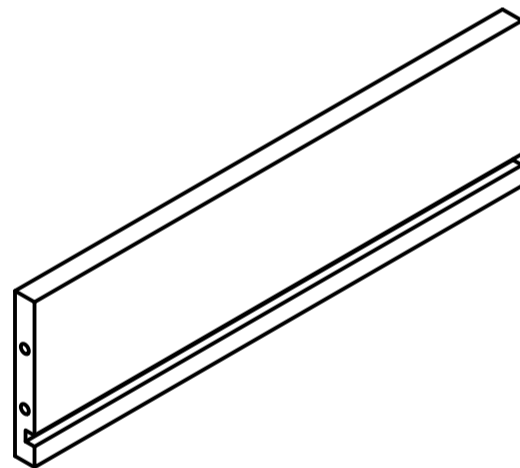
Hx2



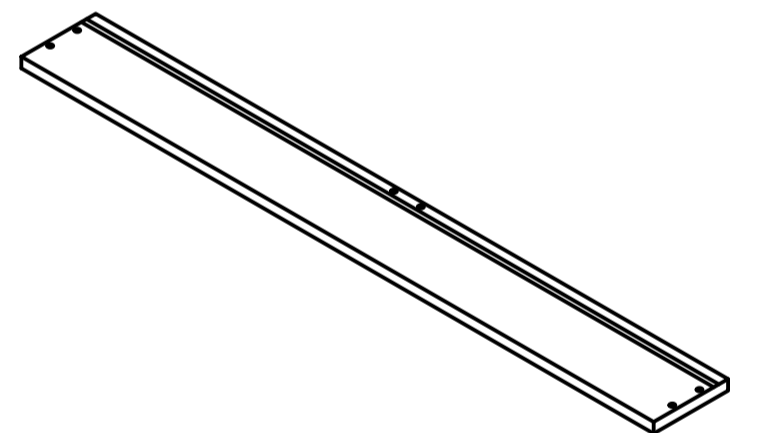
Ix2



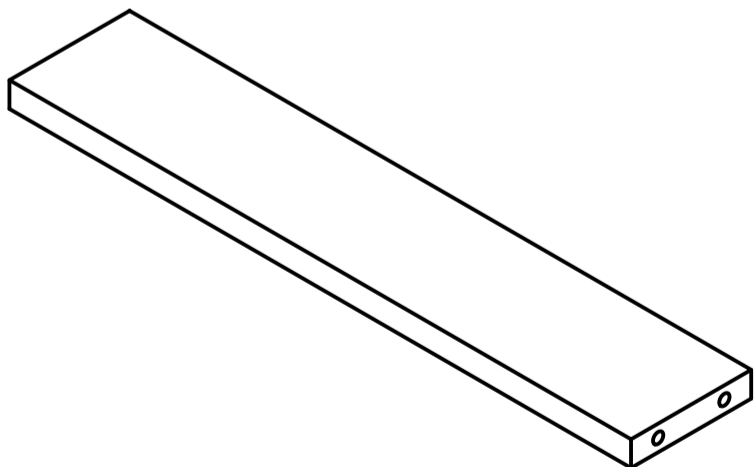
Jx1



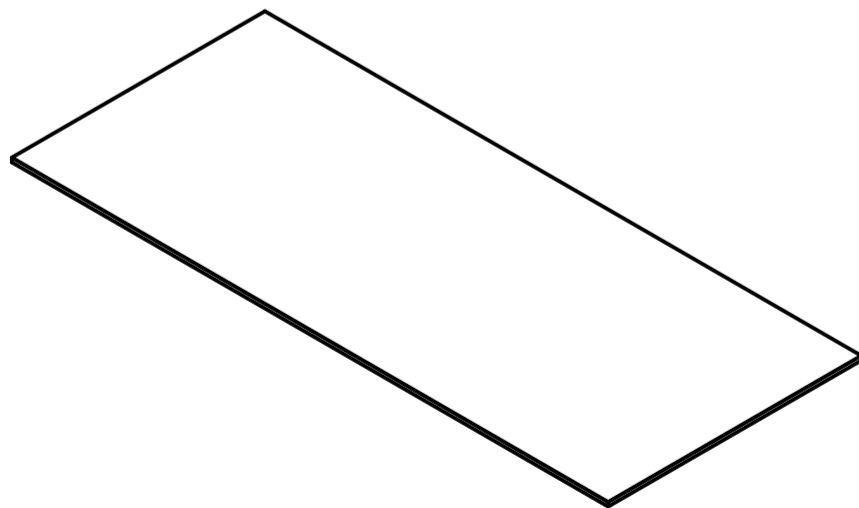
Kx3



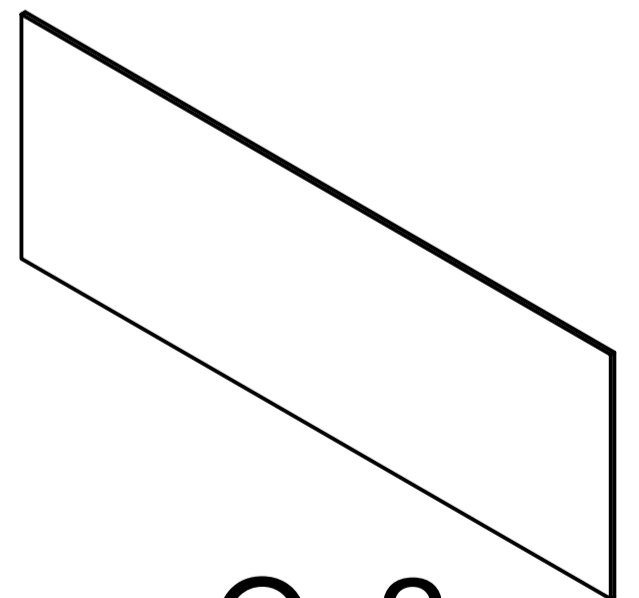
Lx3



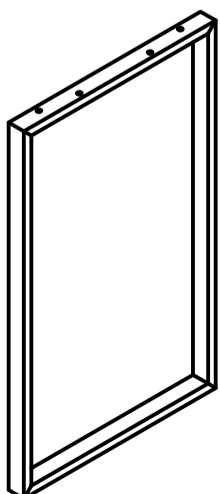
Mx3



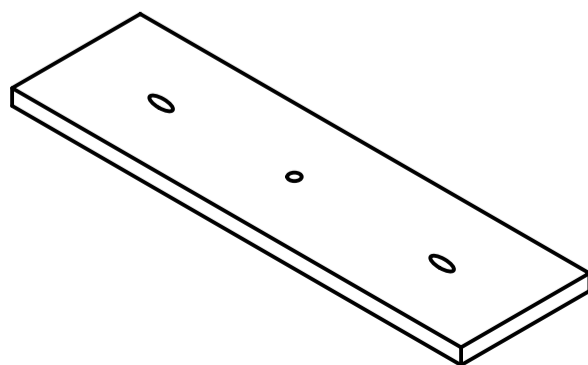
Nx3



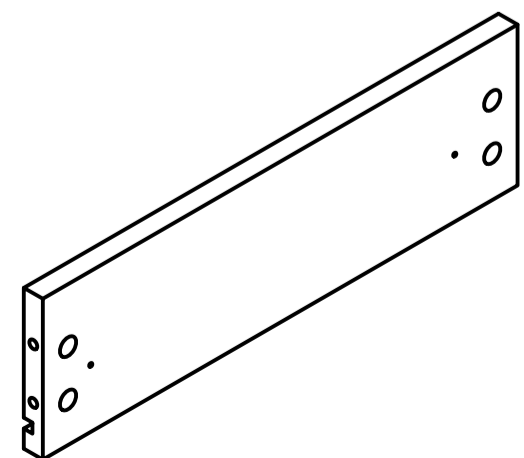
Ox2



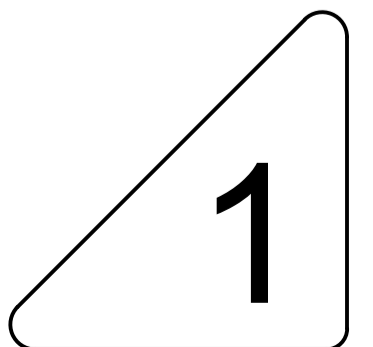
Px1



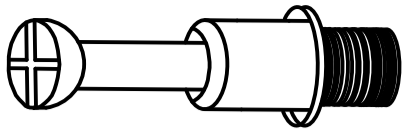
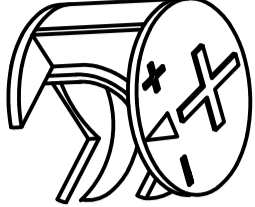

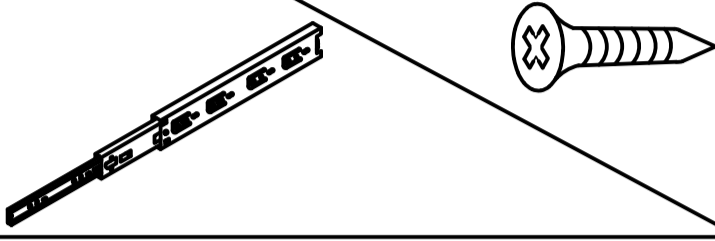

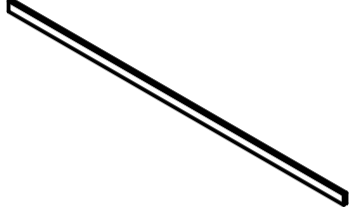
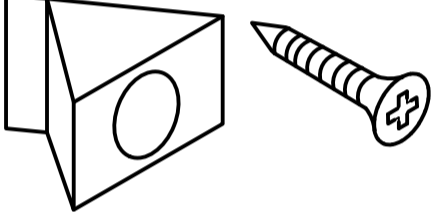

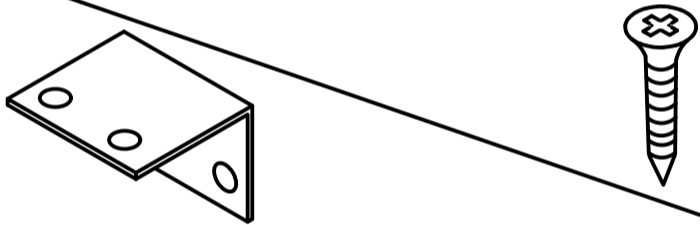
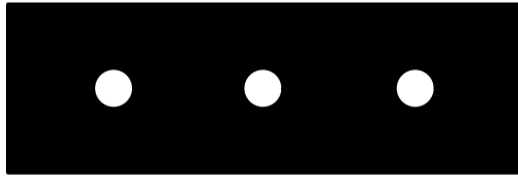
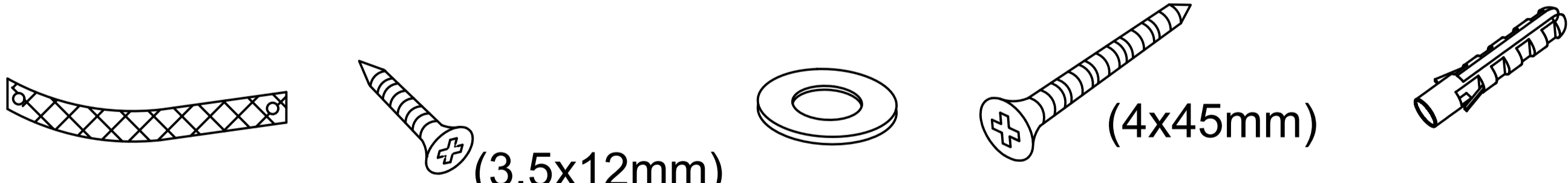
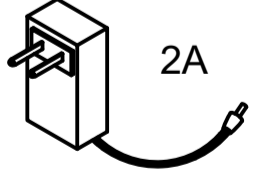
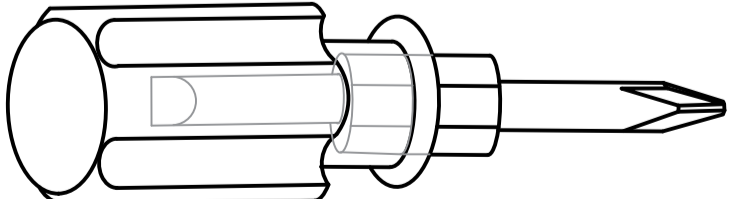
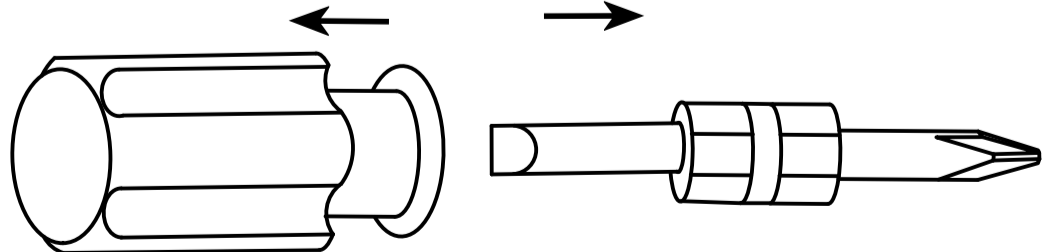
Qx1



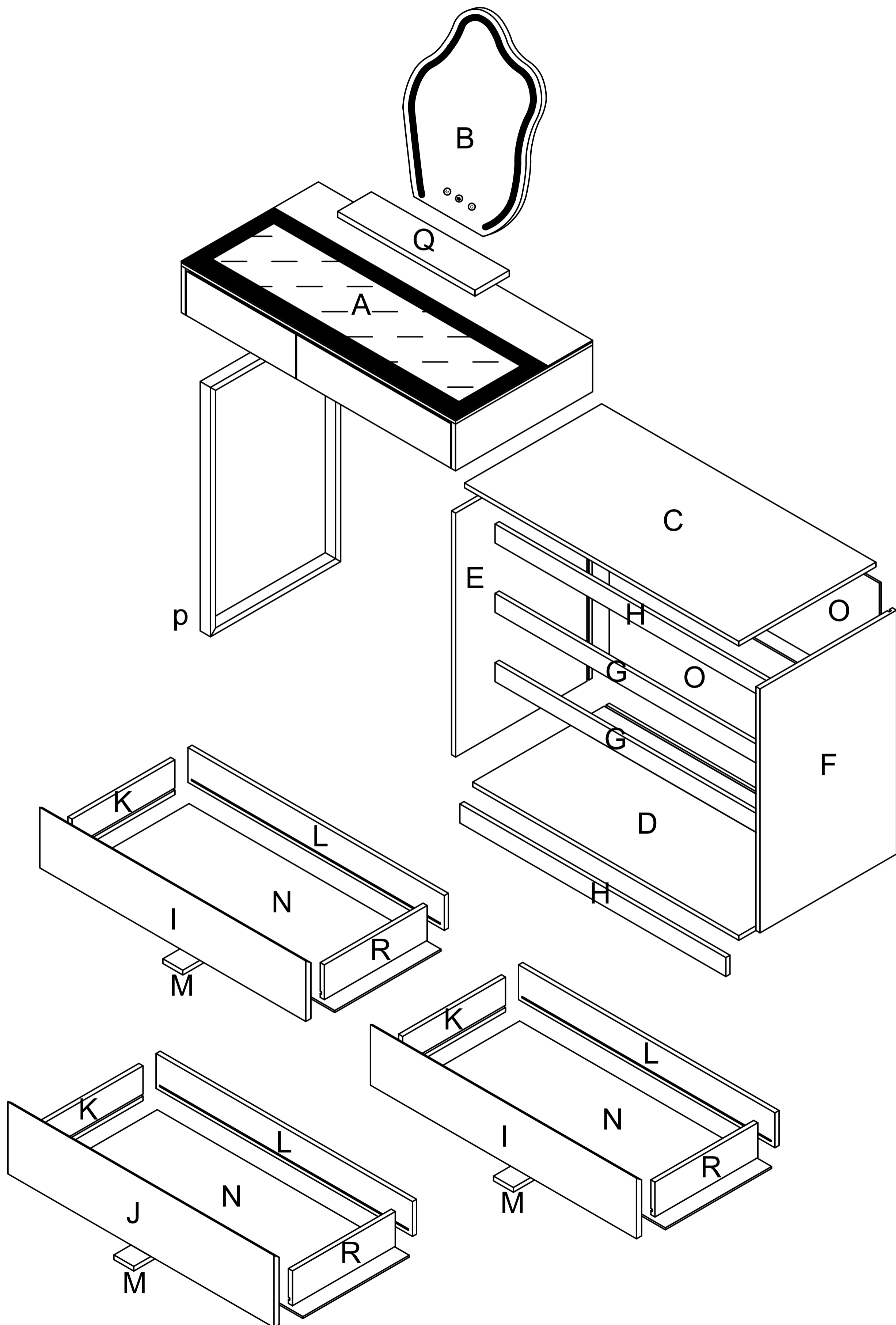
Rx3



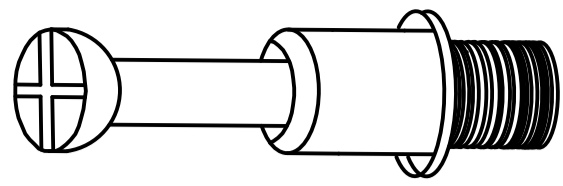
1

①		Two In One Screw (6x28mm)	60pcs +2pcs
②		Two In One Nut (10x12mm)	60pcs +2pcs
③		Wood Chipping (6x30mm)	8pcs +2pcs
④		Guide & Screw (3x12mm)	30pcs +4pcs 6pcs
⑤		Small Non-slip pads	6pcs +2pcs
⑥		Backboard Card Strip (774mm)	1pcs
⑦		Fixing Clip & Screw (3x16mm)	8pcs +1pcs
⑧		Screw (6x28mm)	7pcs
⑨		Corner Code & Screw (3.5x12mm)	8pcs +1pcs 2pcs
⑩		Big Non-slip pads	1pcs
Anti tipping hardware			
⑪	 <p style="text-align: center;"> x1 x1 (3.5x12mm) x2 x1 (4x45mm) x1 </p>		
		AC/DC Adapter	1pcs
 <p style="text-align: center;">1 pcs</p>  <p style="text-align: center;">Double-head screwdriver, use as required</p> <div style="text-align: right; border: 1px solid black; padding: 5px; width: 50px; margin: 0 auto;">2</div>			

Product structure decomposition

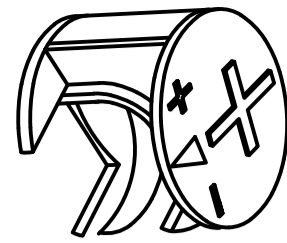


1



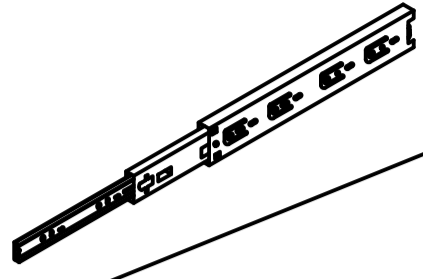
36pcs

2

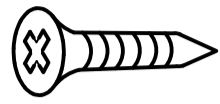


36pcs

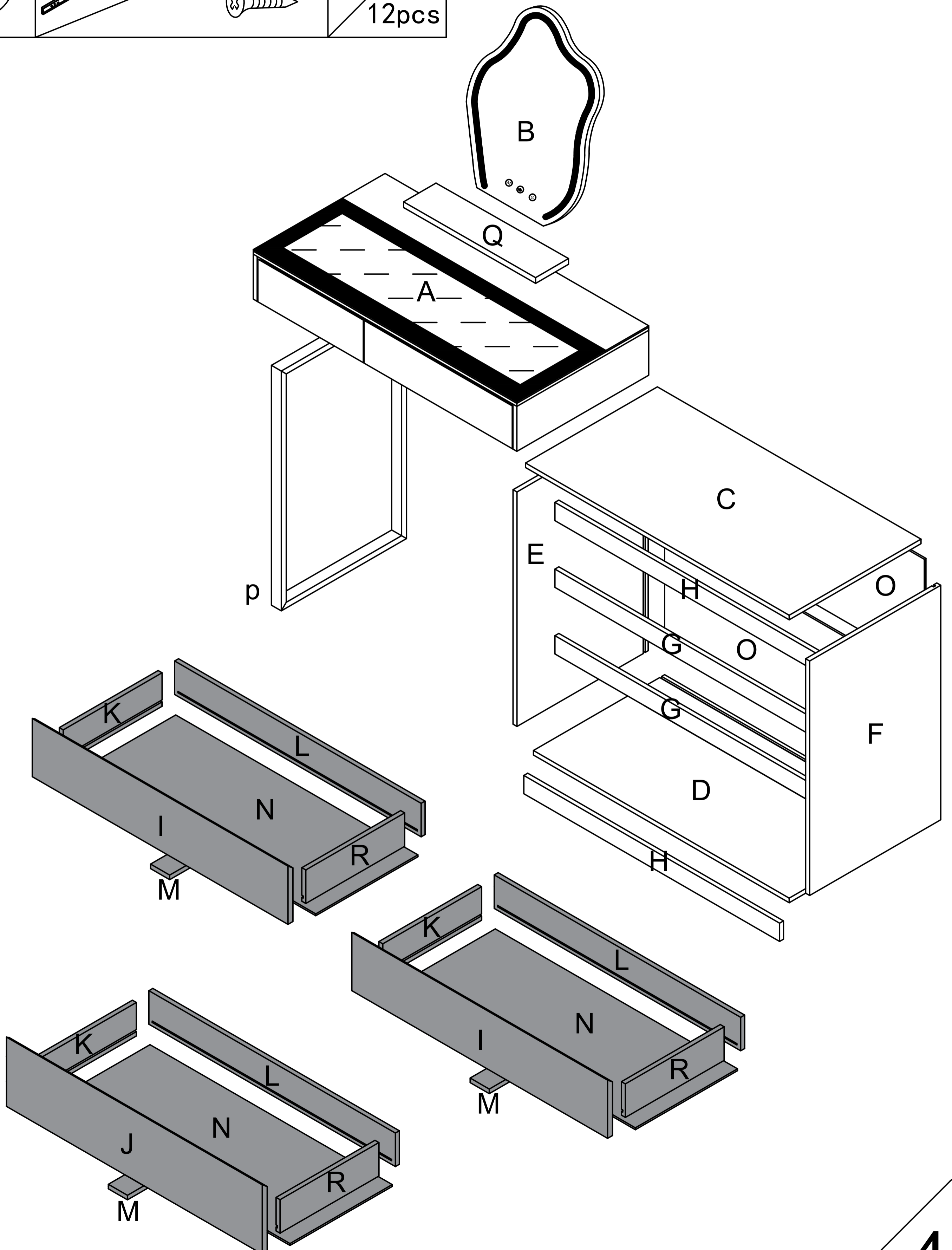
3



6pcs



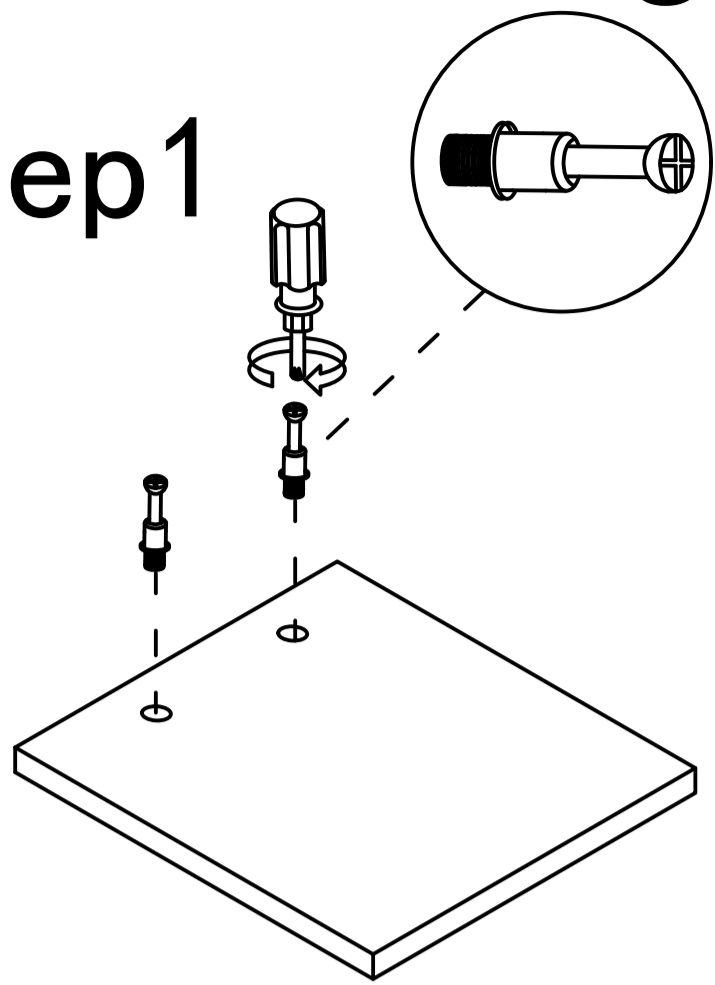
12pcs



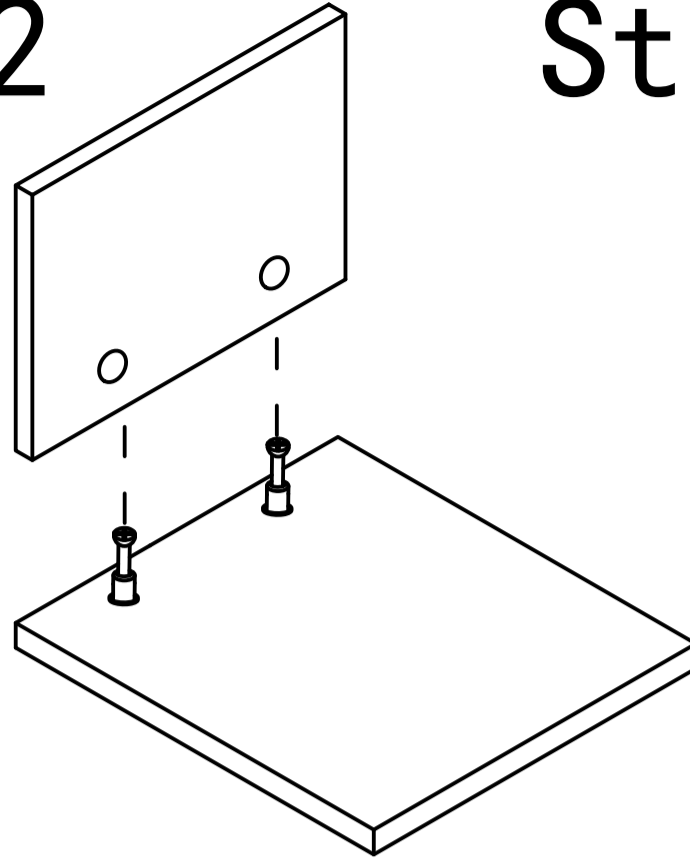
4

Use parts ① and ②

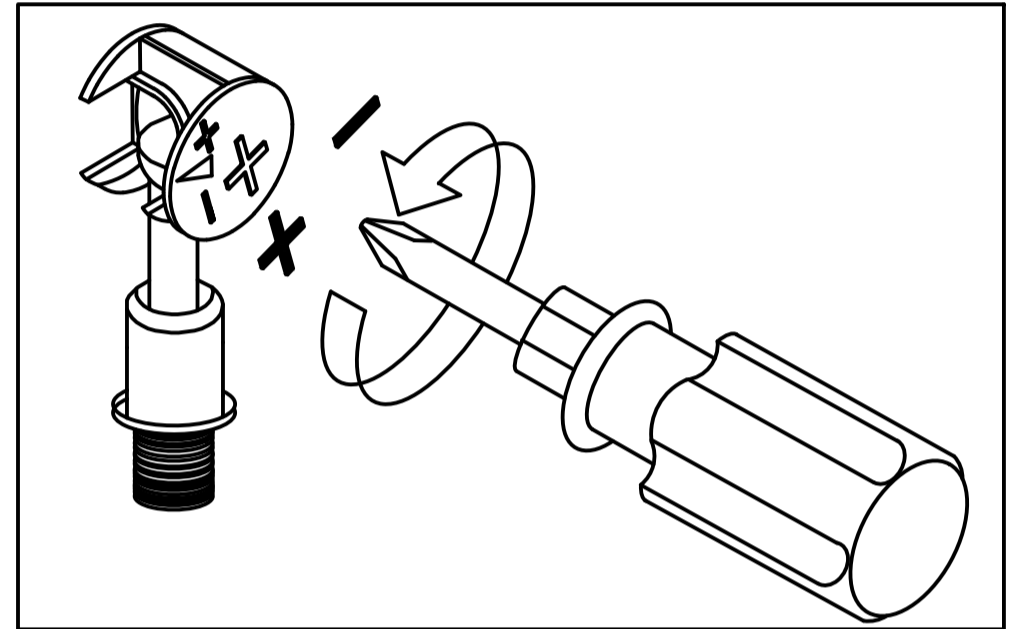
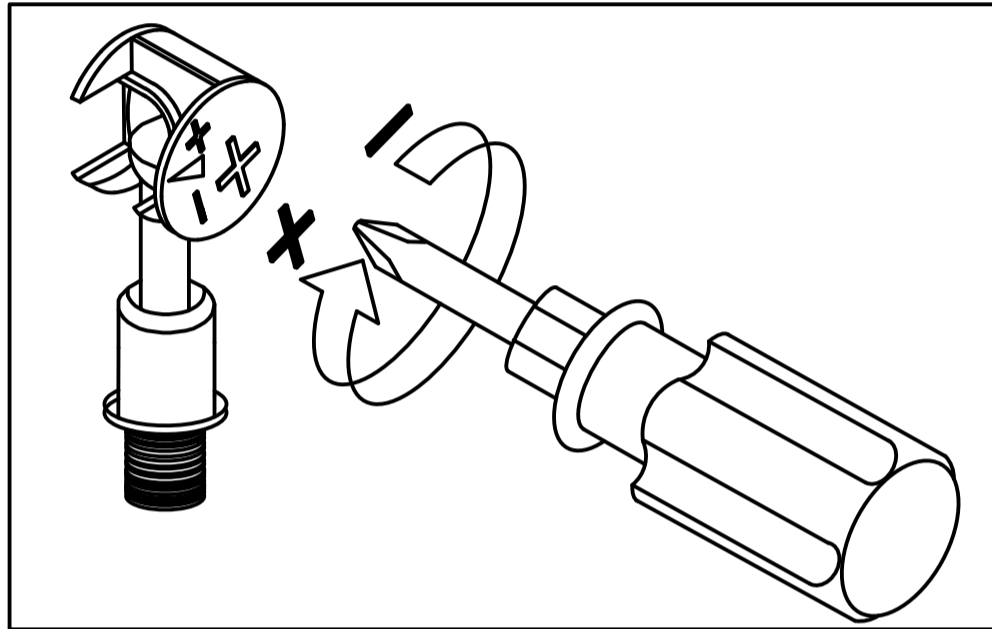
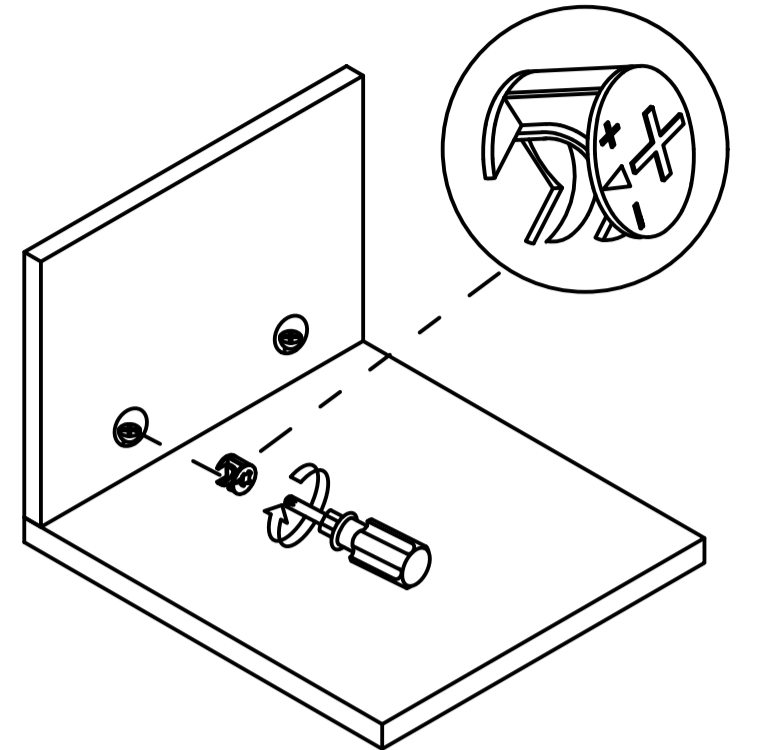
Step 1



Step 2



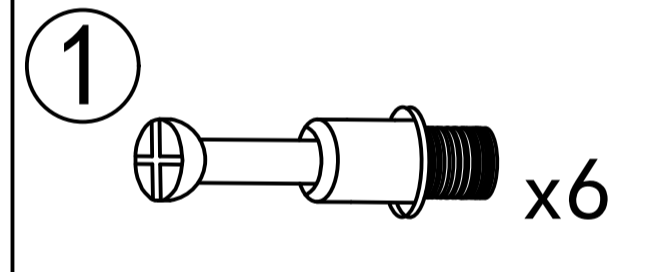
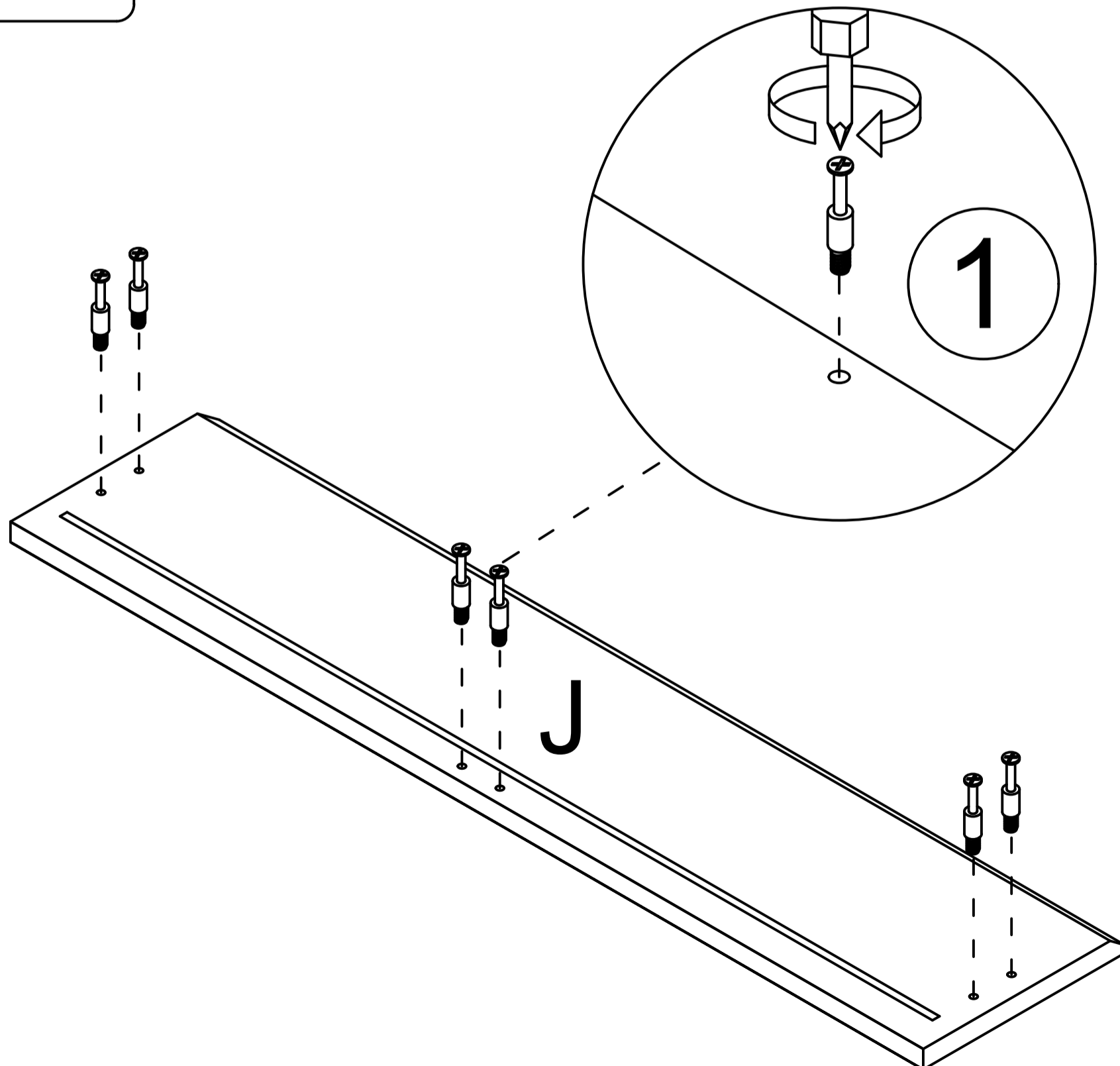
Step 3



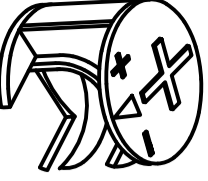
Use a screwdriver to lock in the direction of the "+" sign

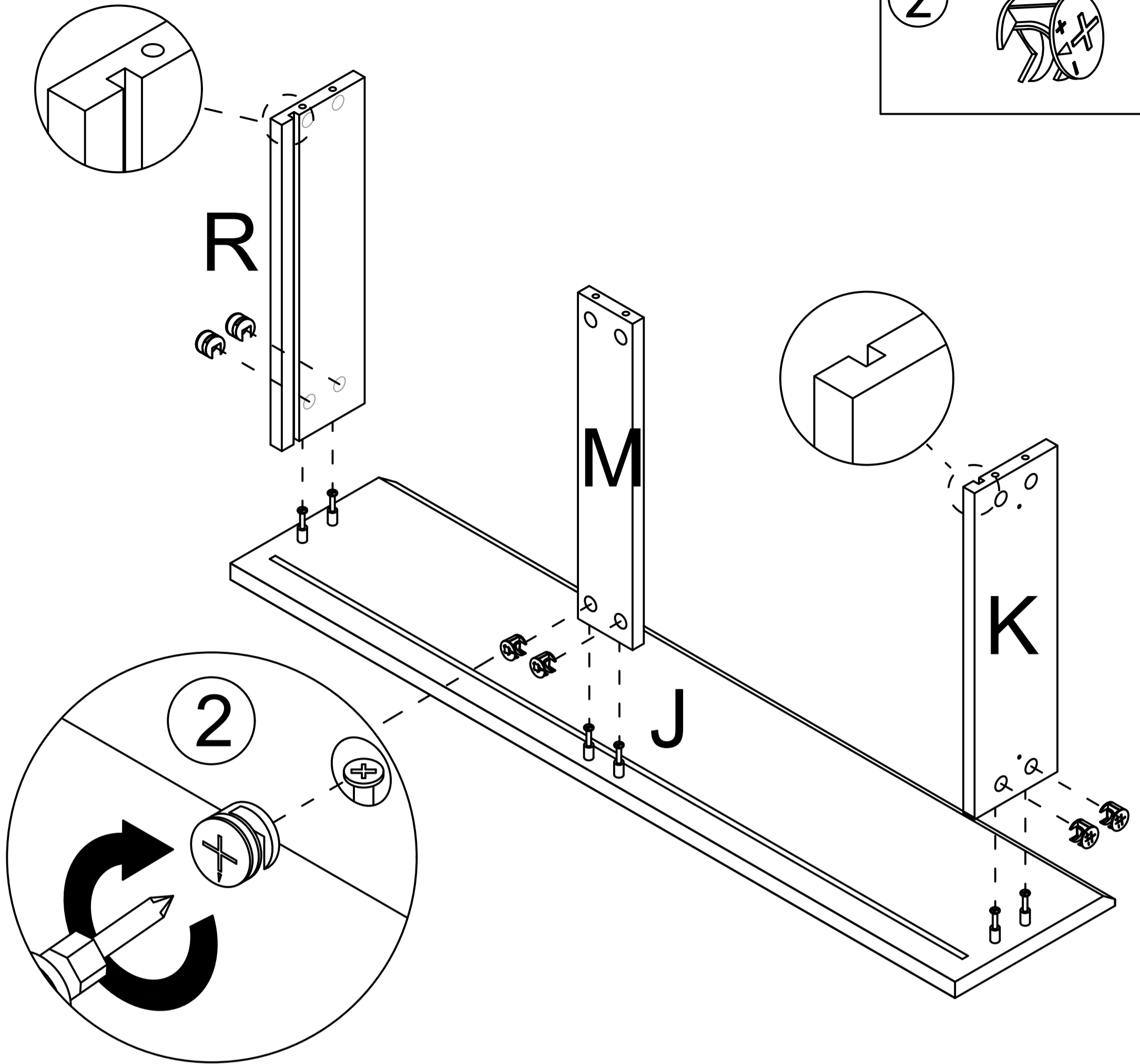
Disassemble along the direction of "-" sign

Step 1

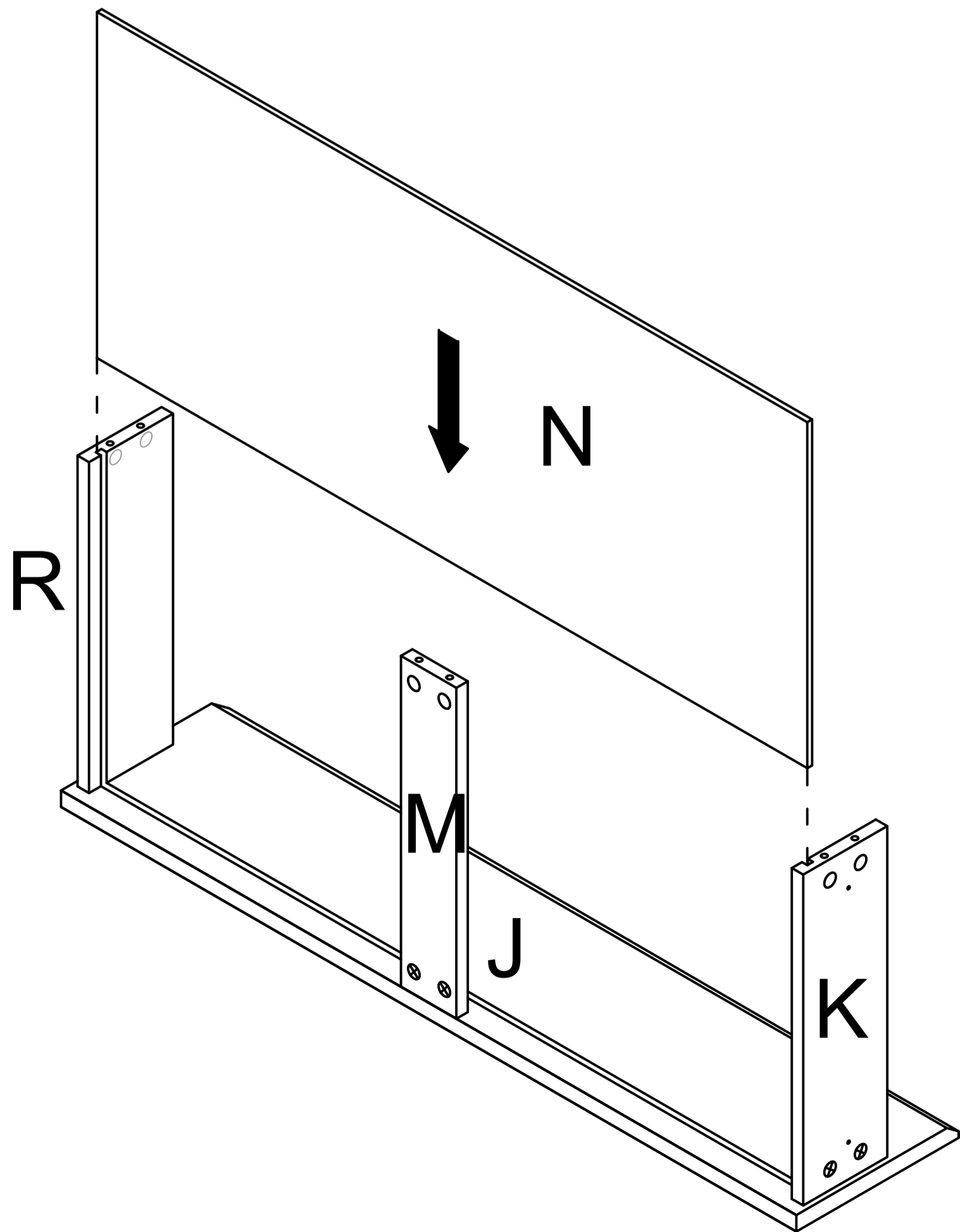


Step 2

2  x6

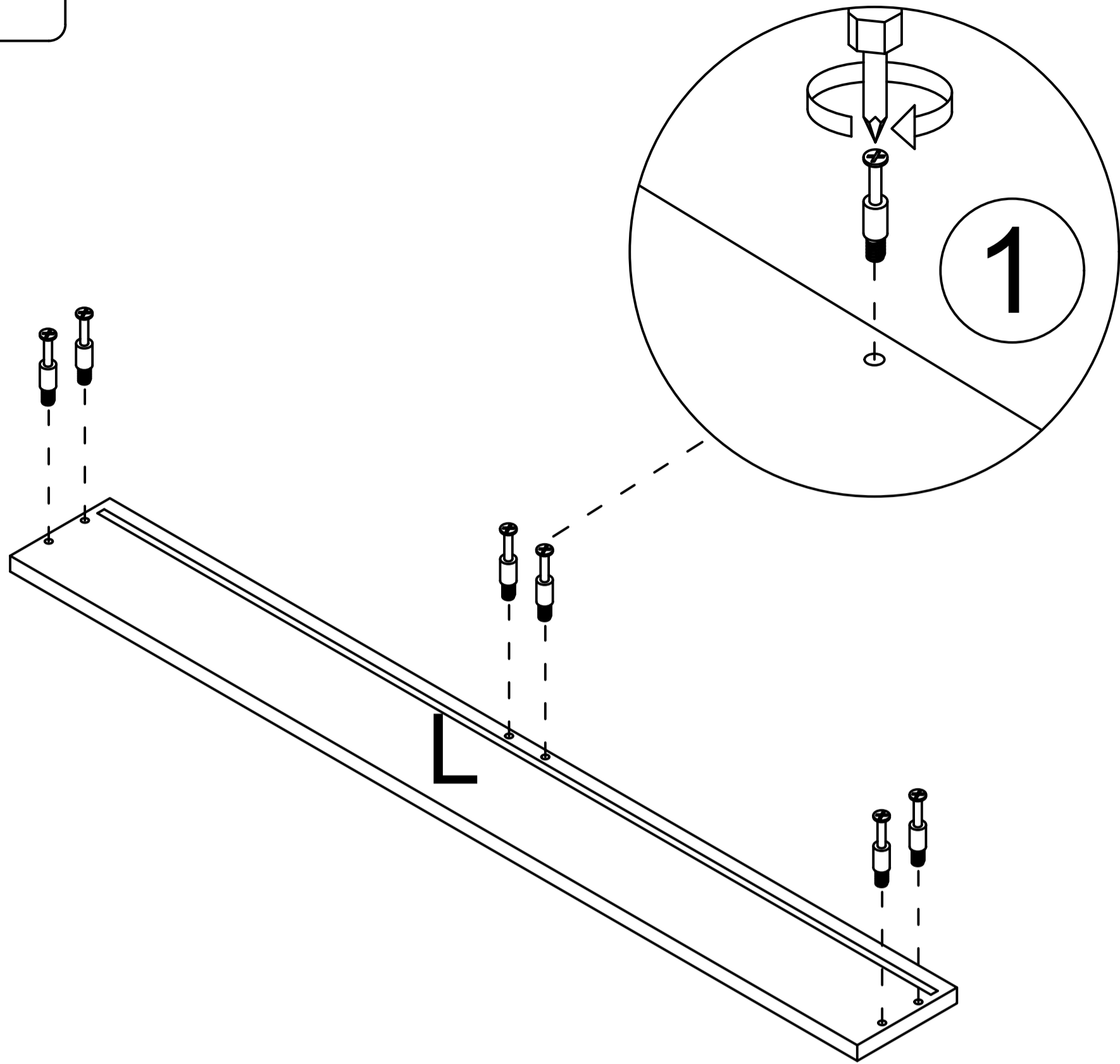
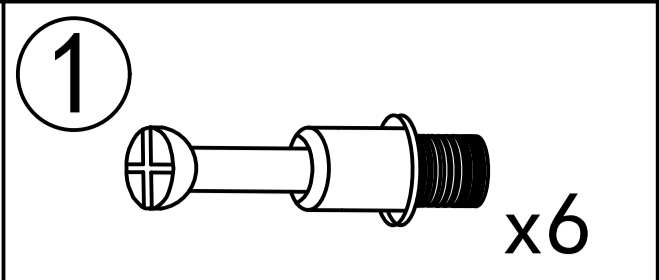


Step 3

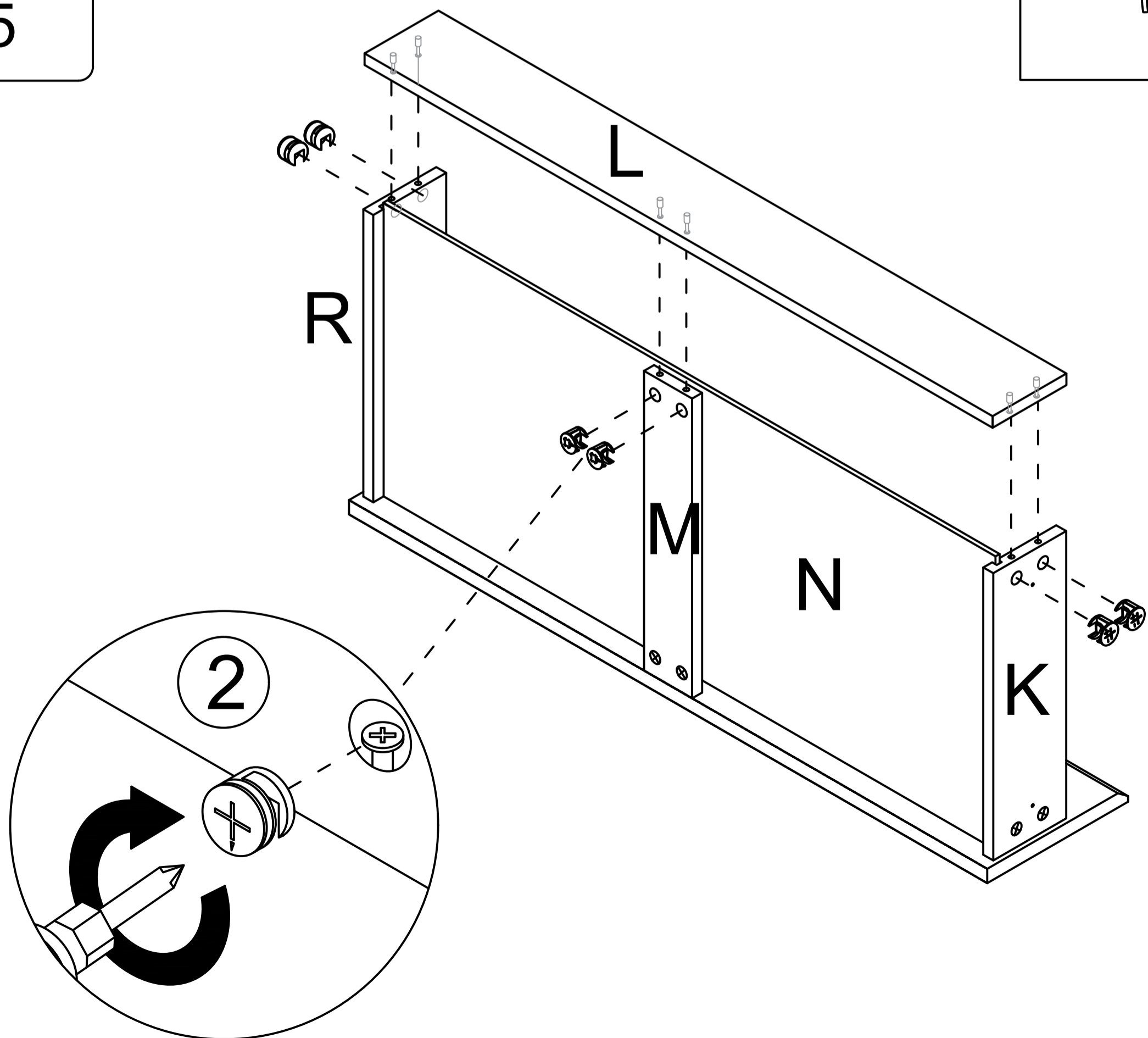


6

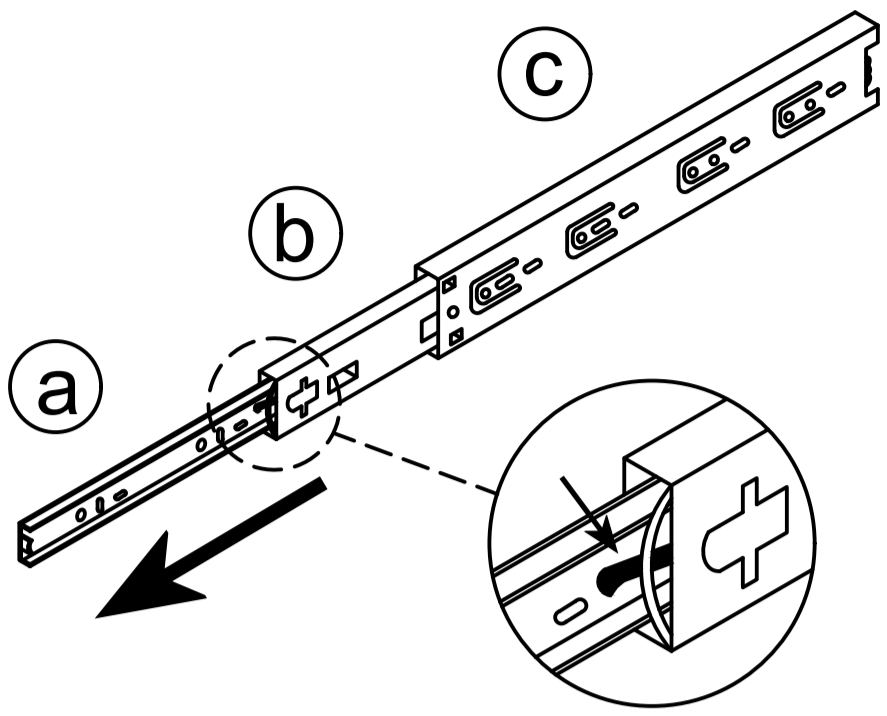
Step 4



Step 5

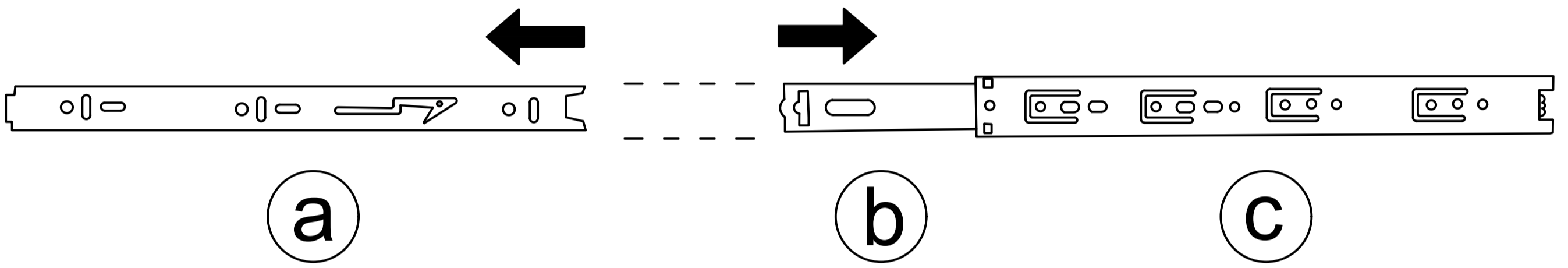
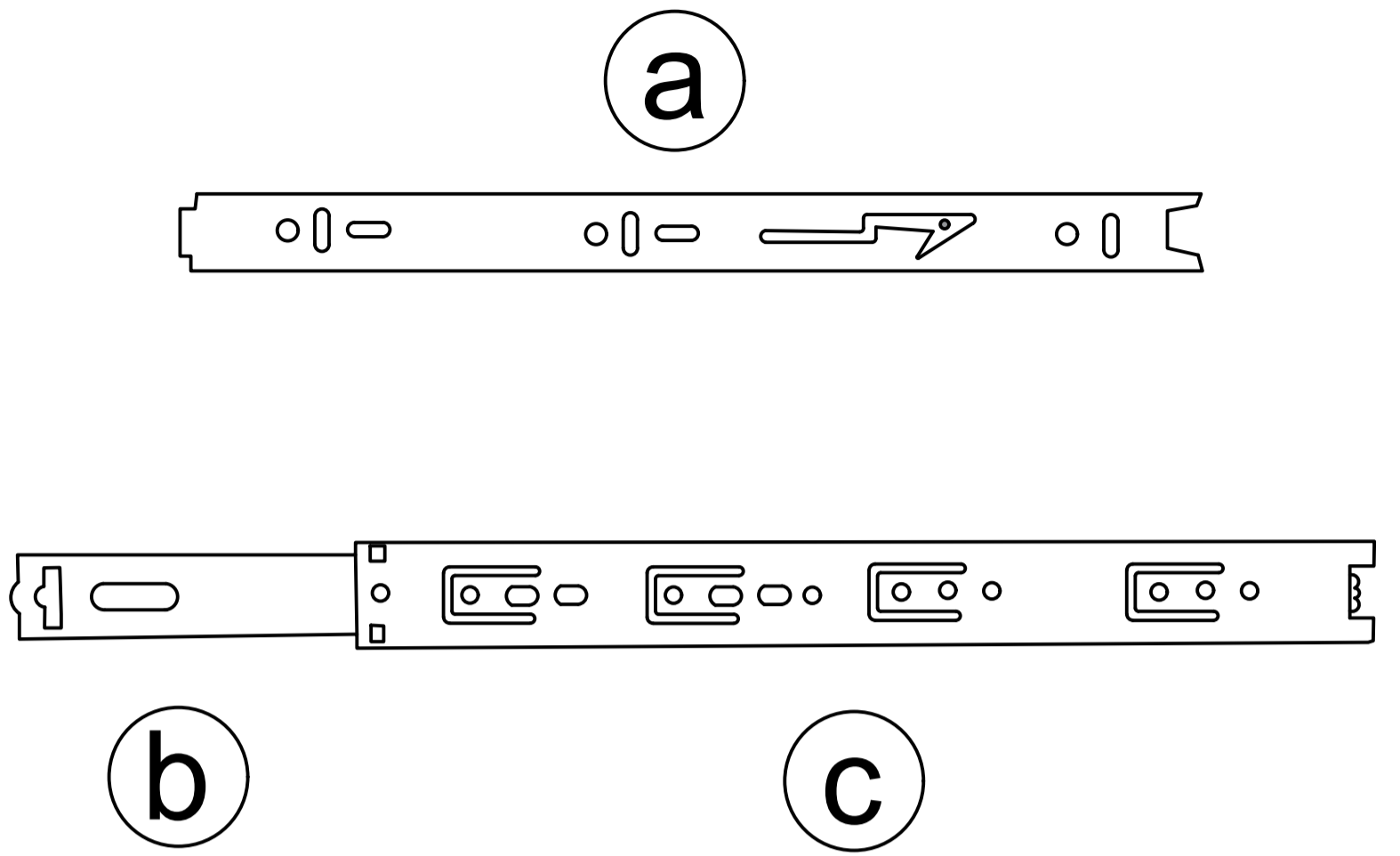


Drawer rail breakdown diagram

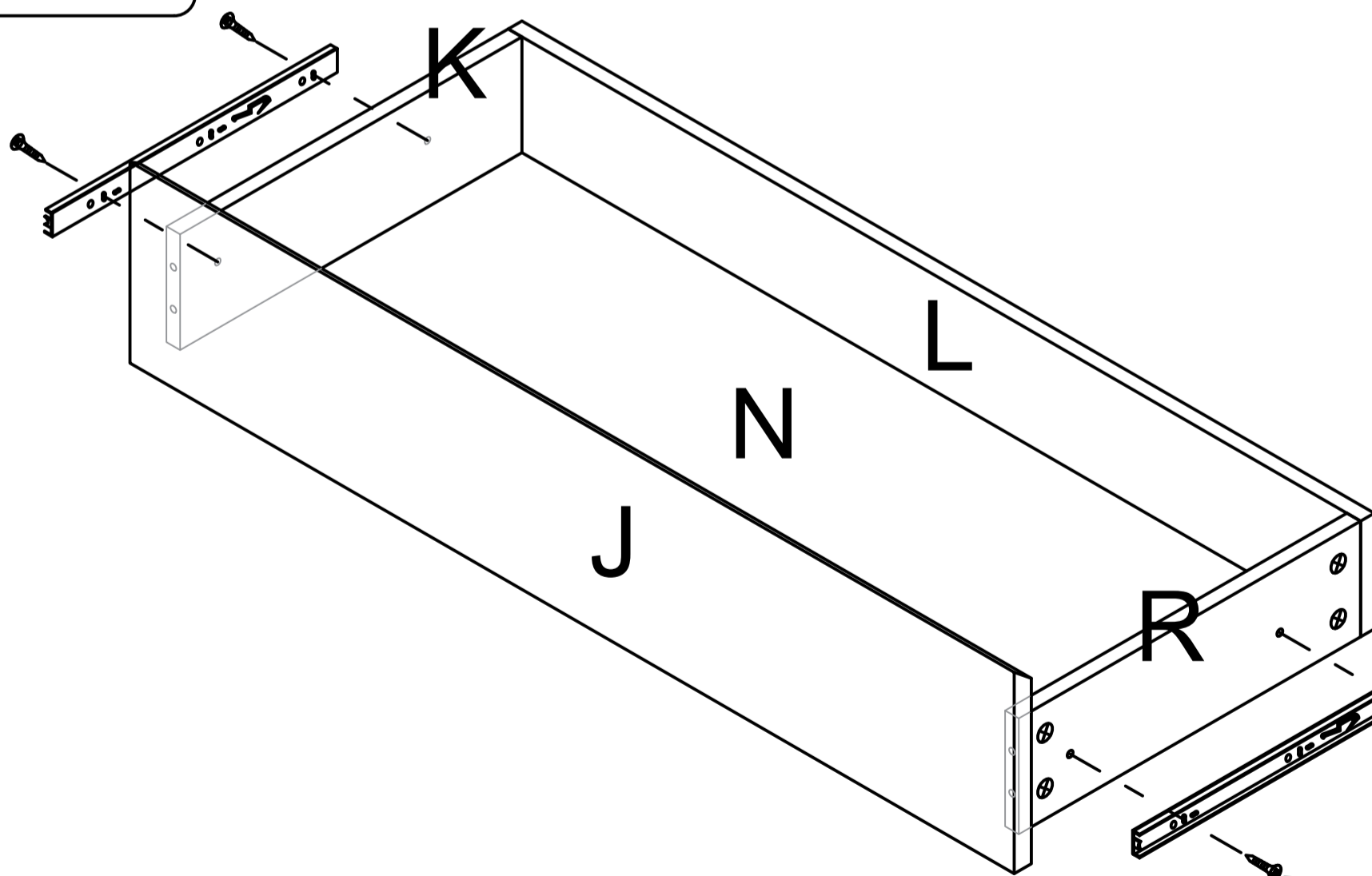


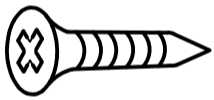
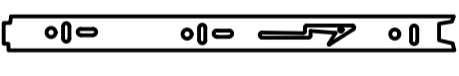
Step 1 : Pull the rails apart

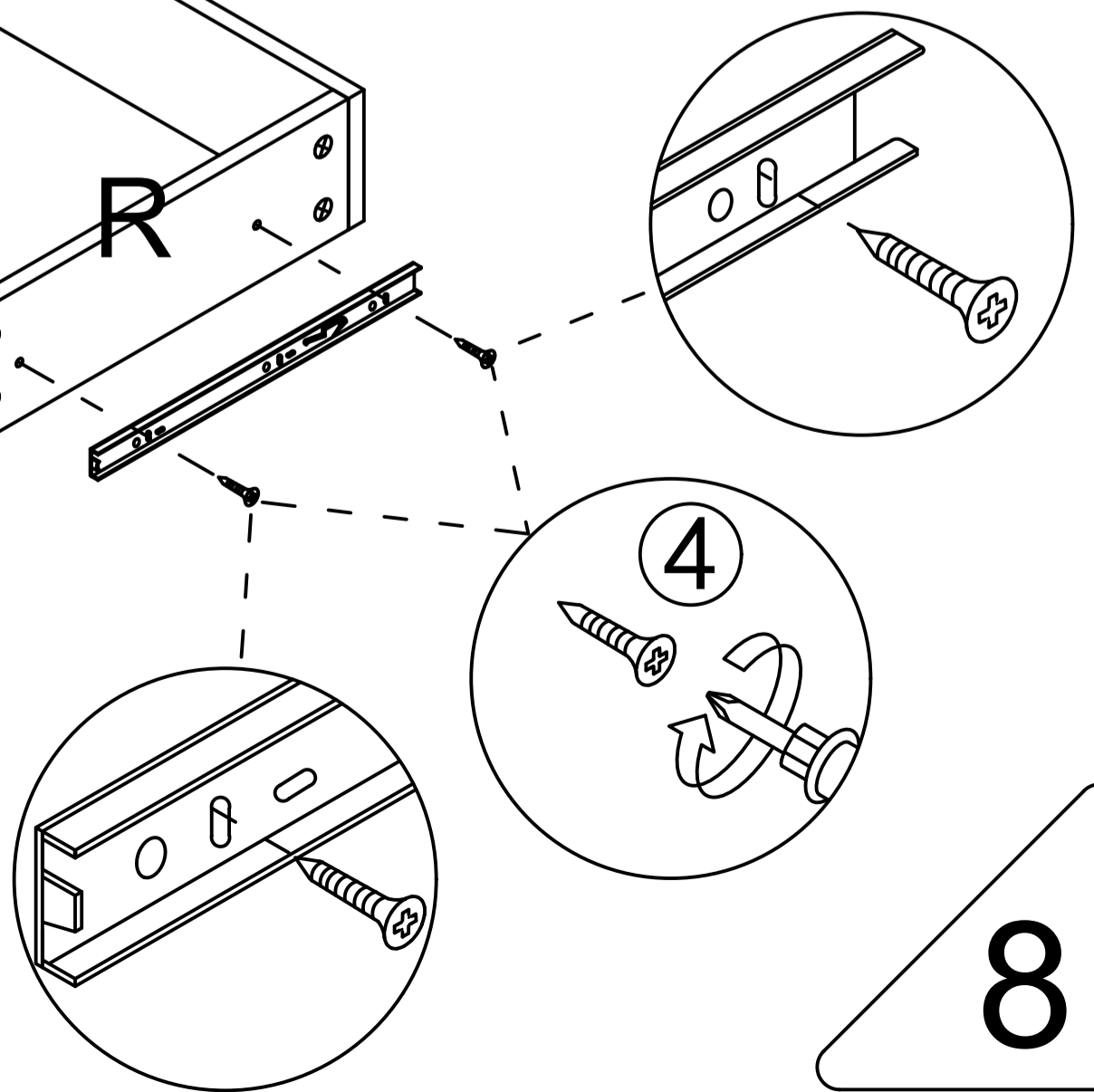
Step 2 : Push the nylon buckle outward (a)



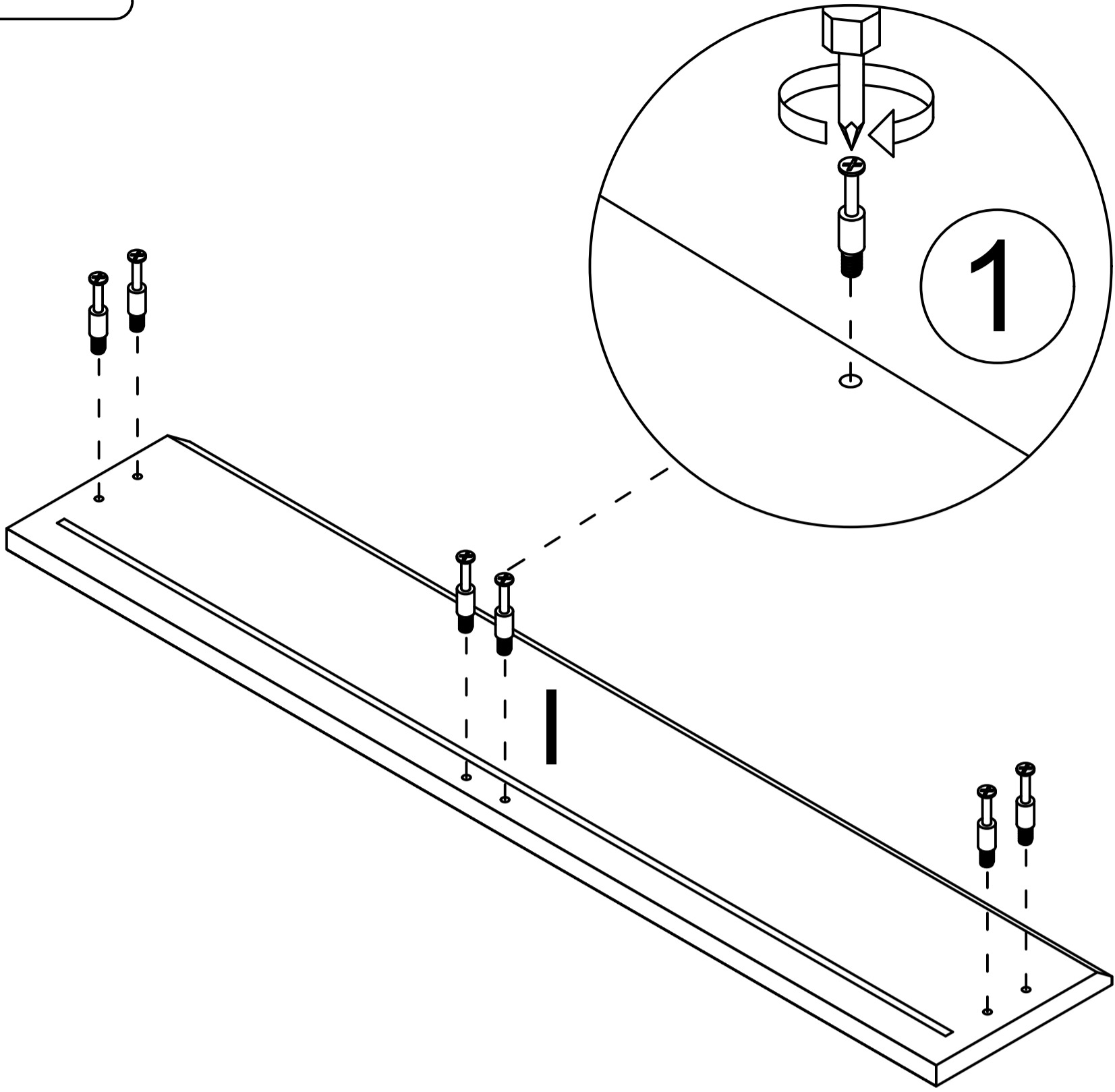
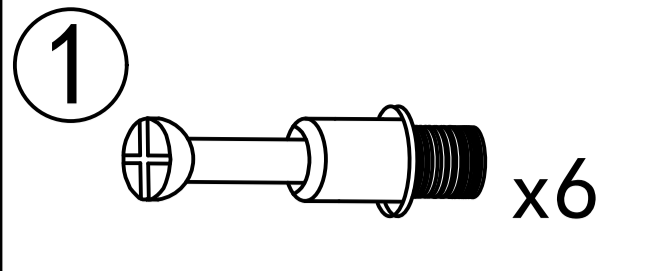
Step 6



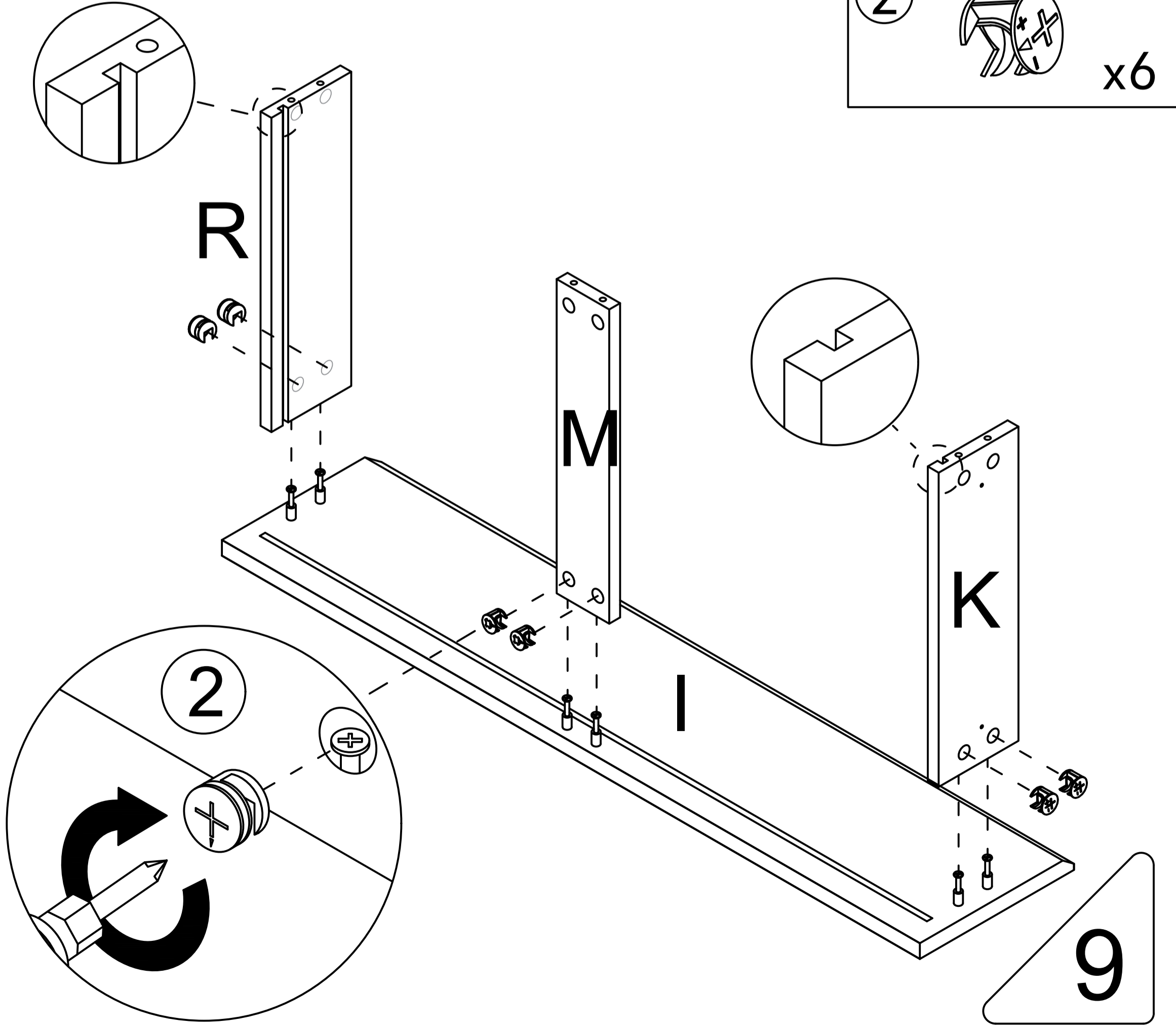
- ④  x4
- ①  x2



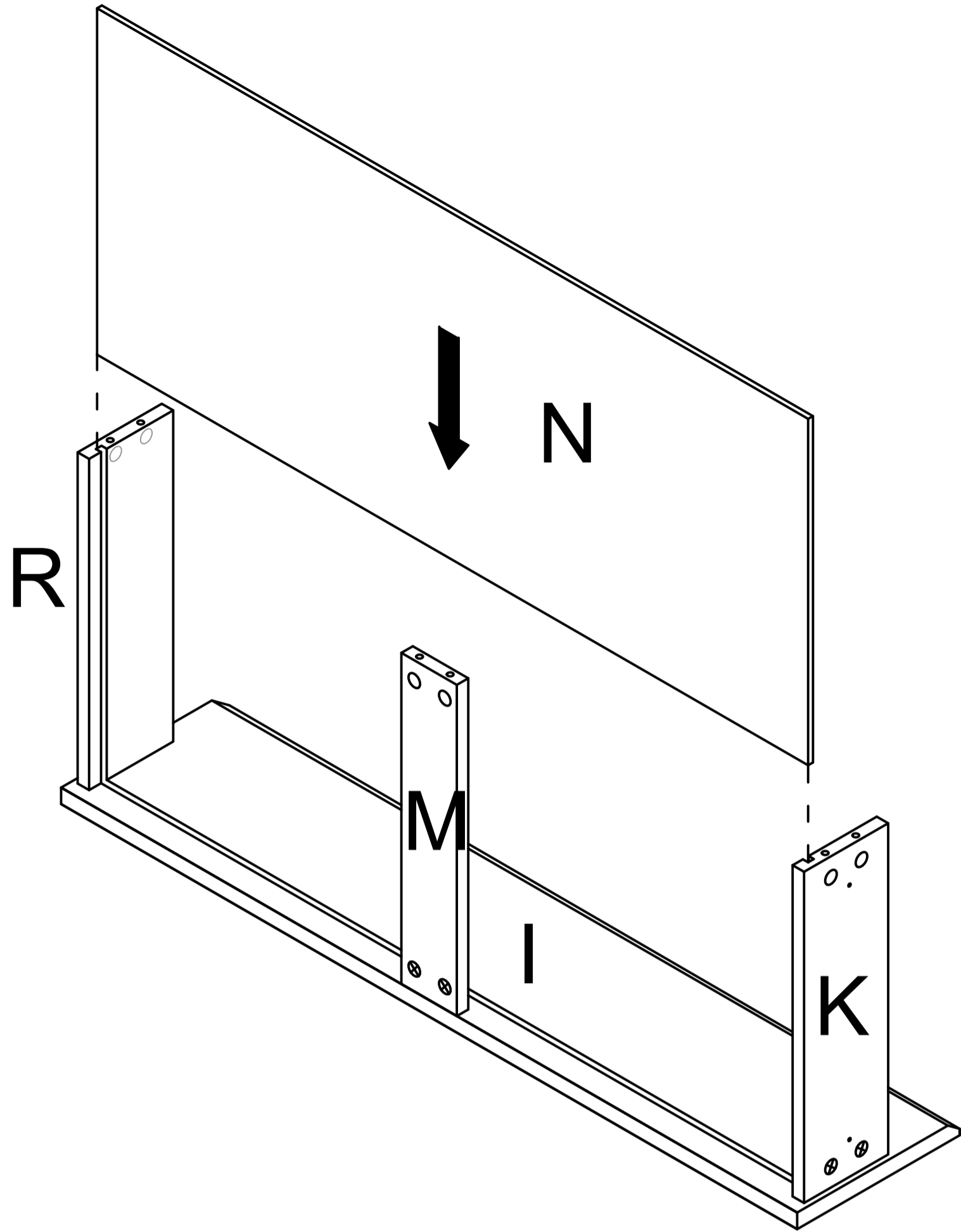
Step 7



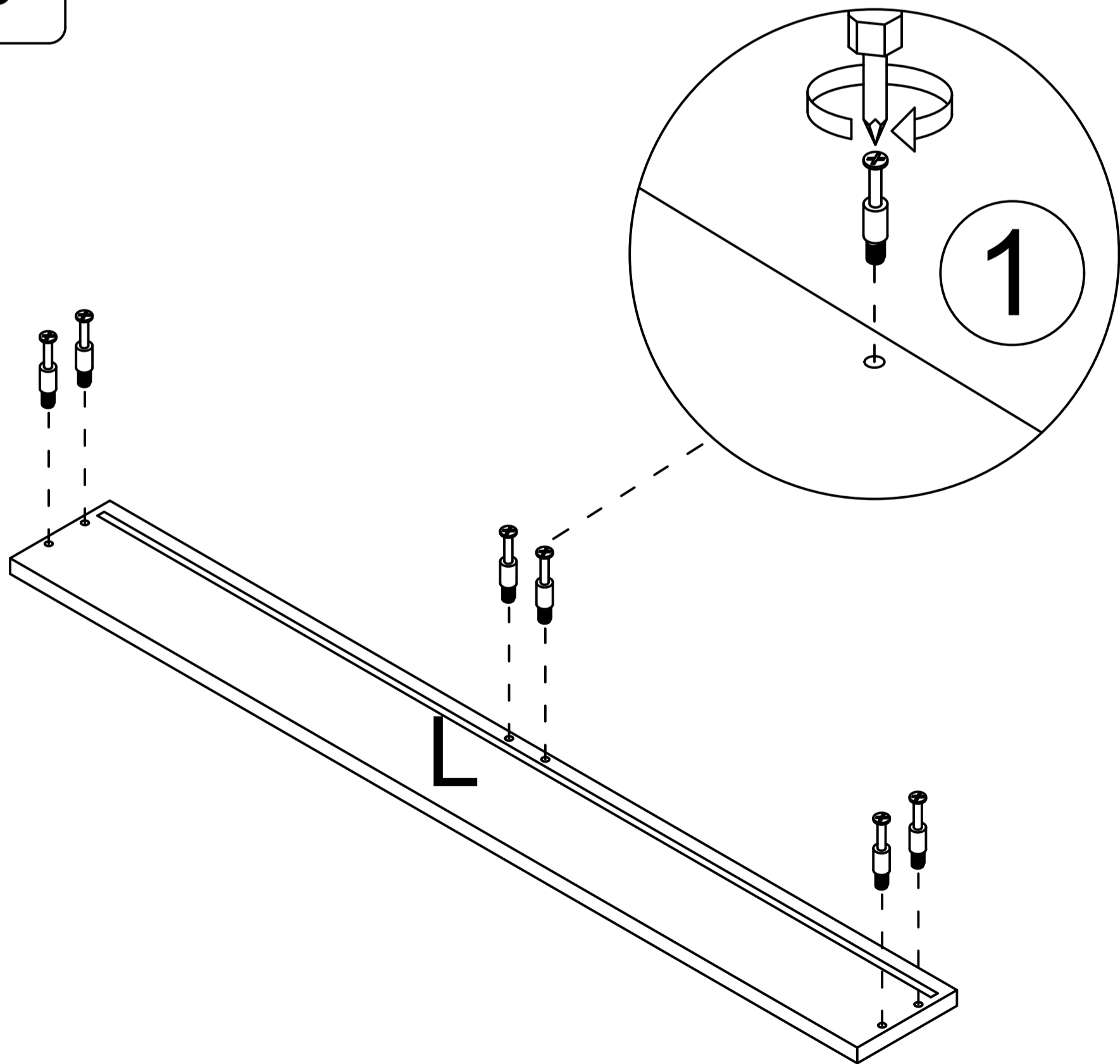
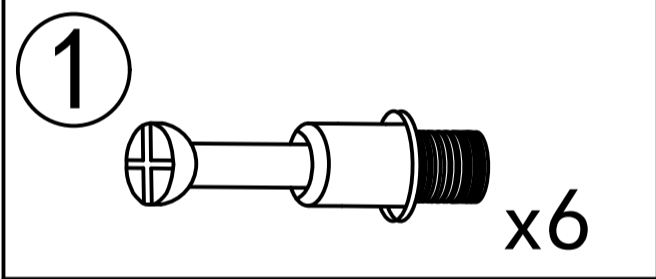
Step 8



Step 9

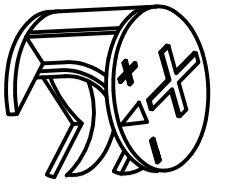


Step 10

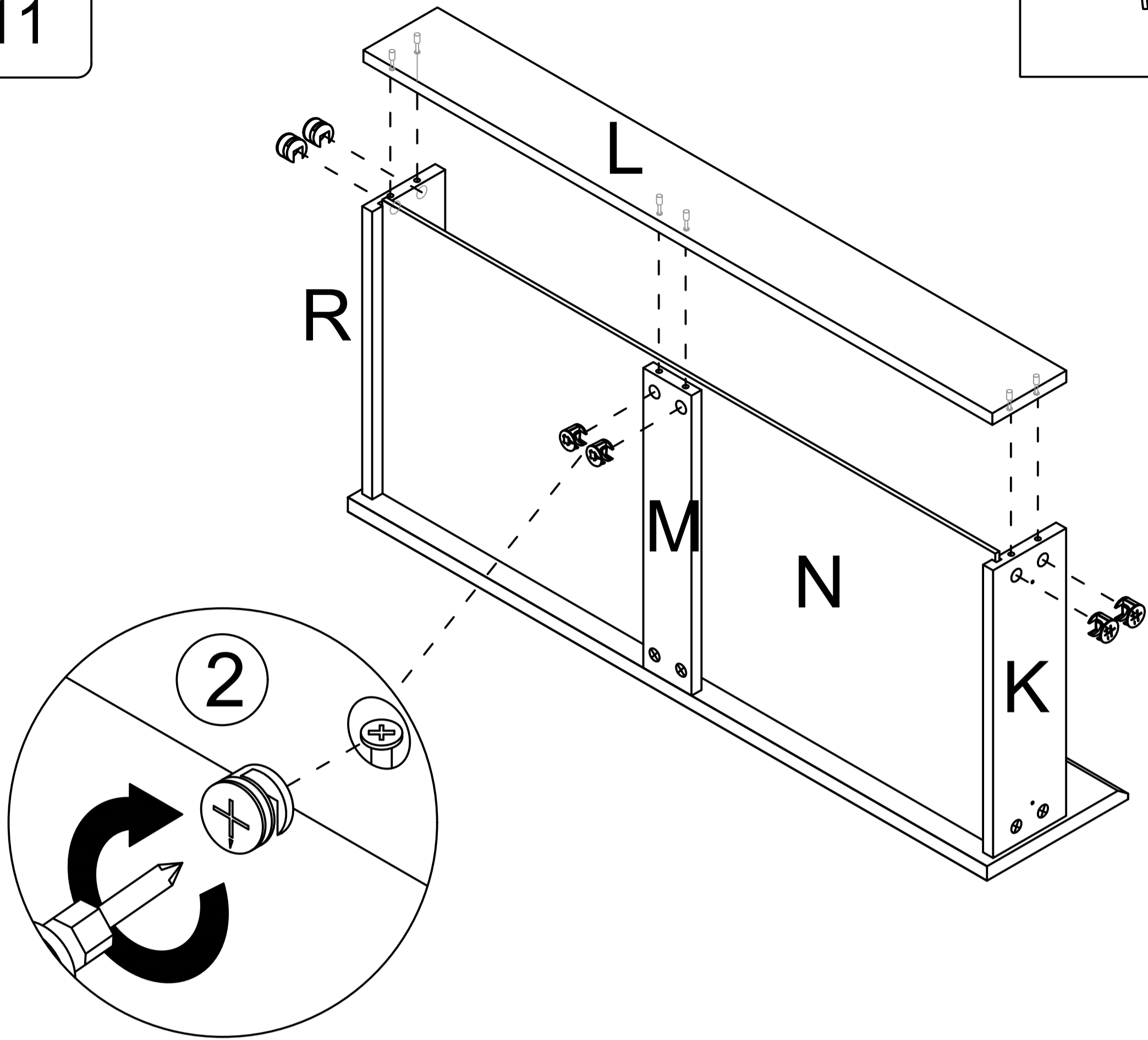


Step 11

2

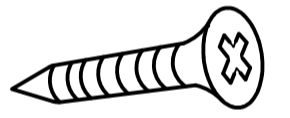


x6



Step 12

5

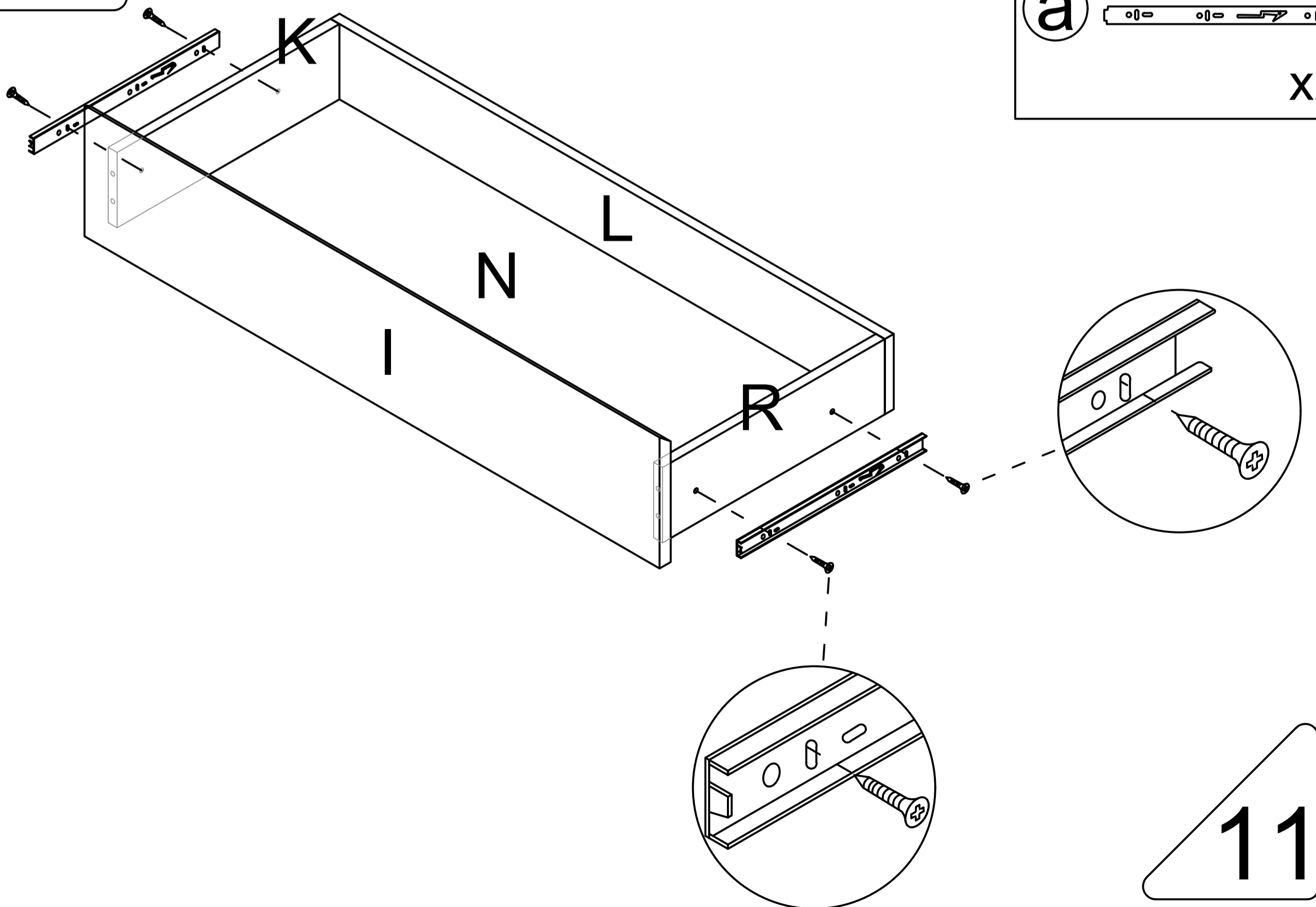


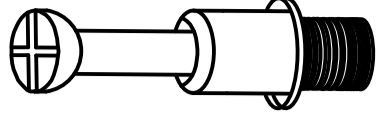
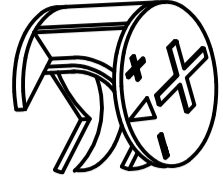
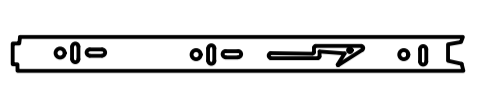
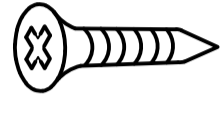
x4

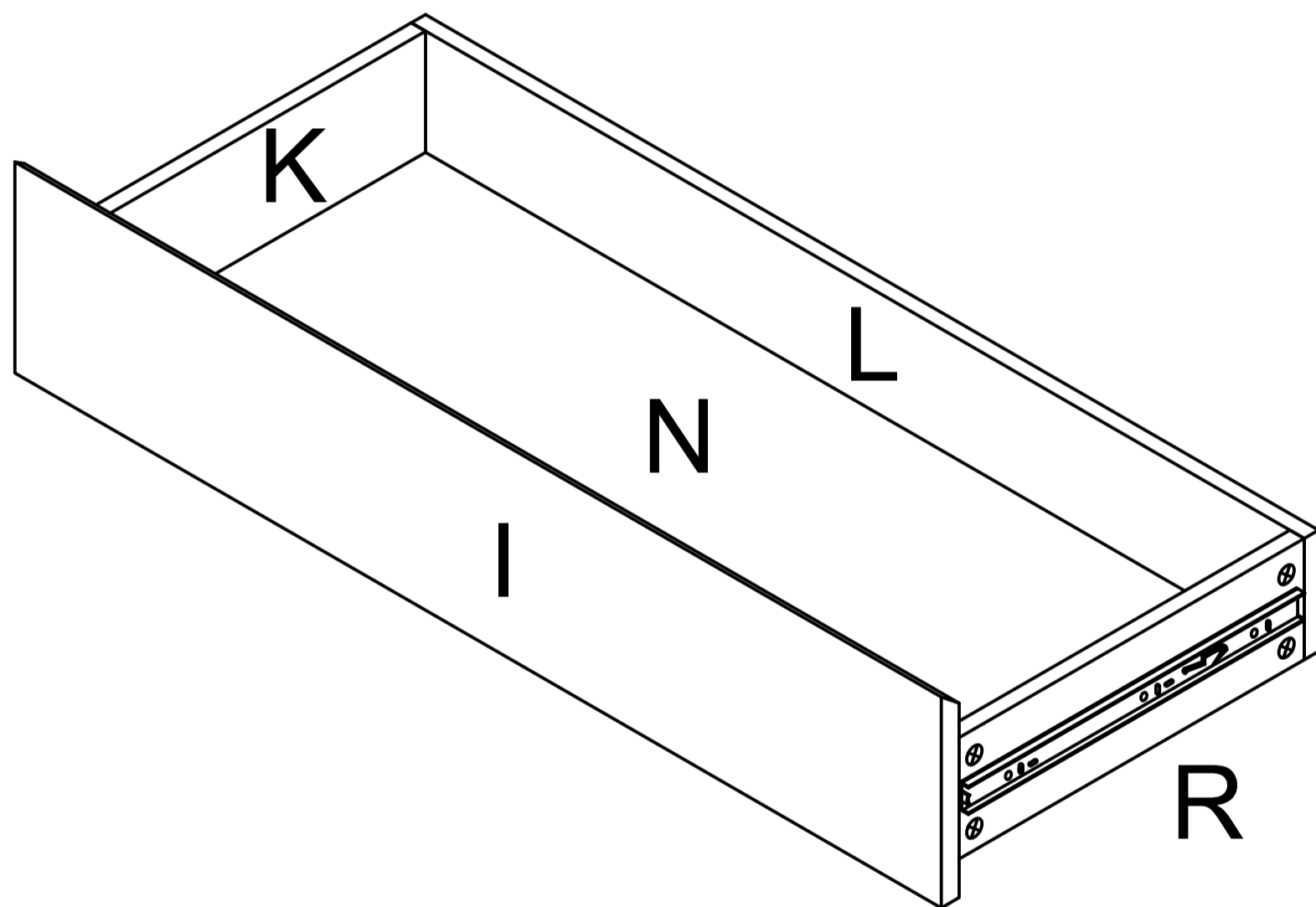
a



x2

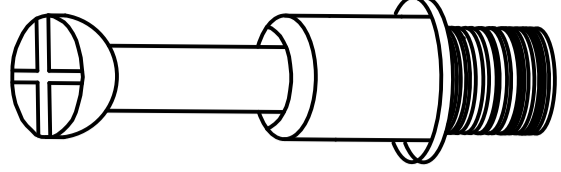
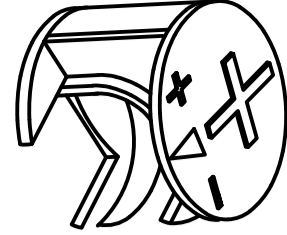

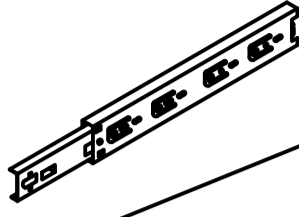
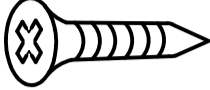

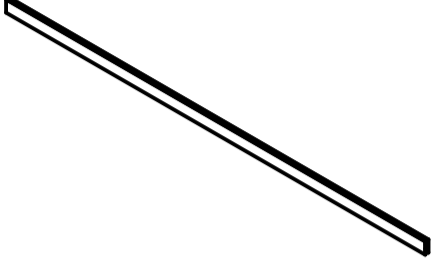
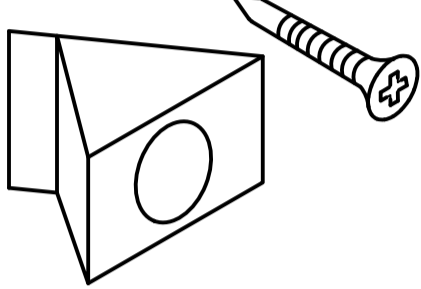


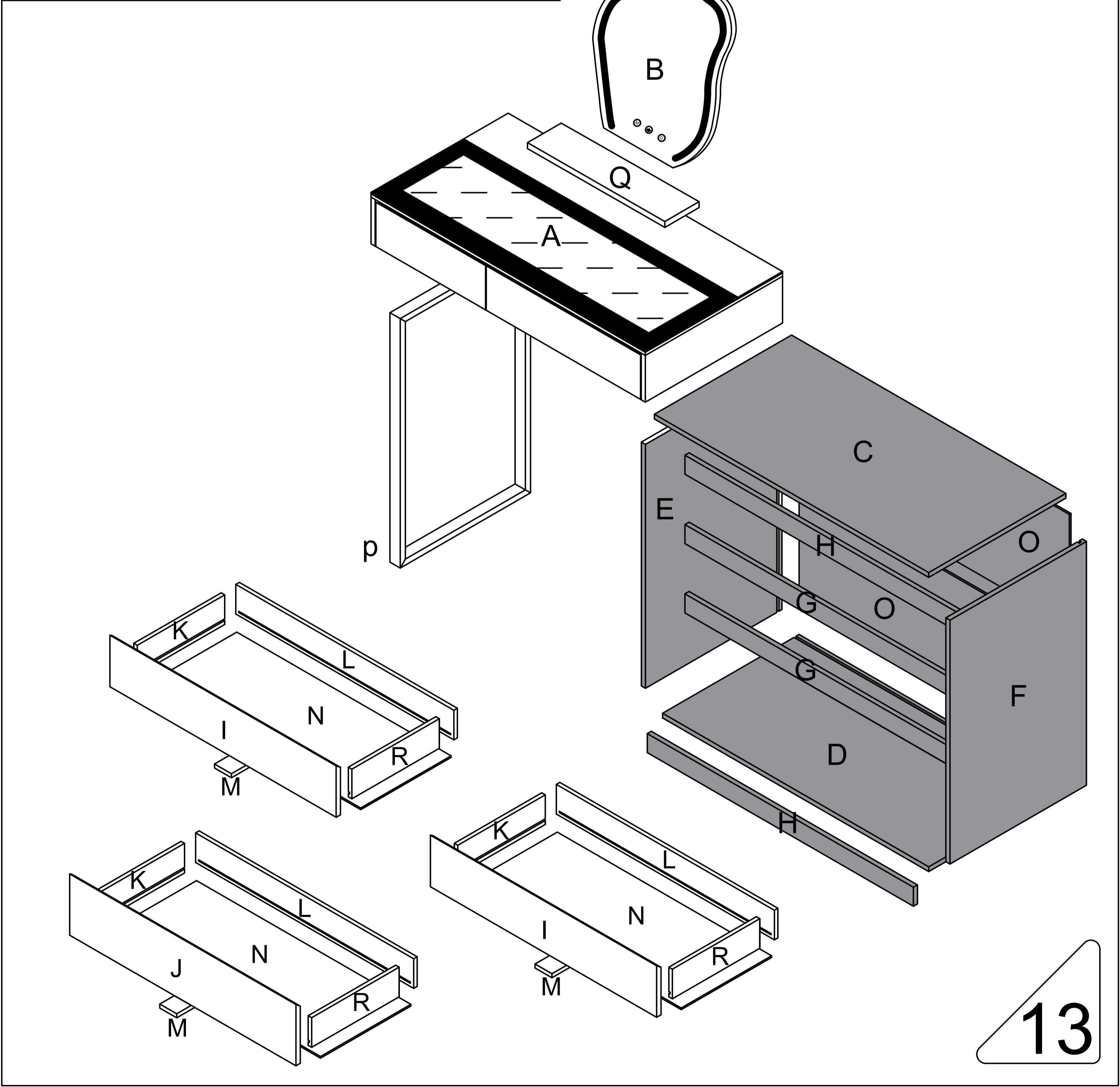
- ①  x24
- ②  x24
- ③  x4
- ④  x8



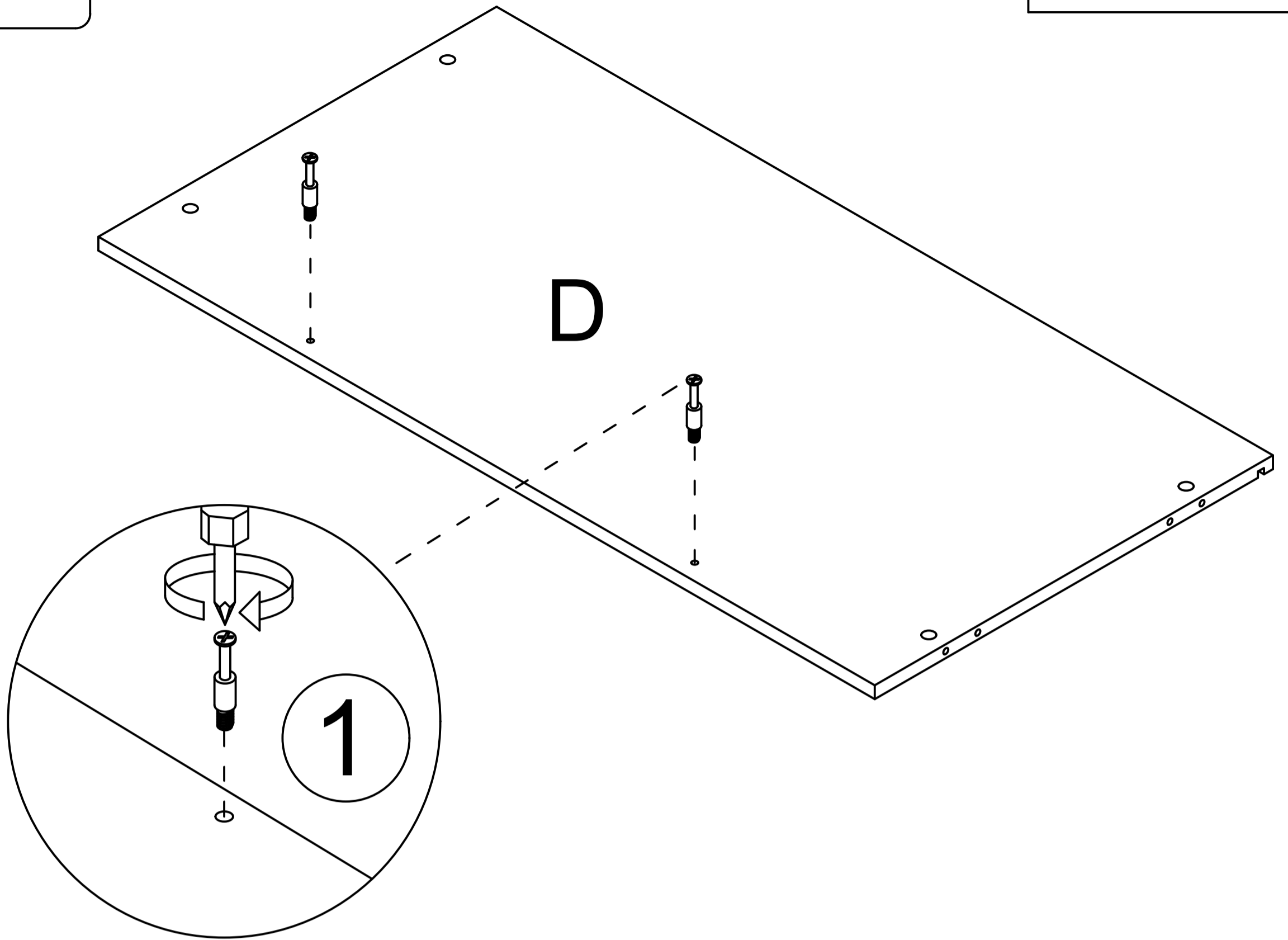
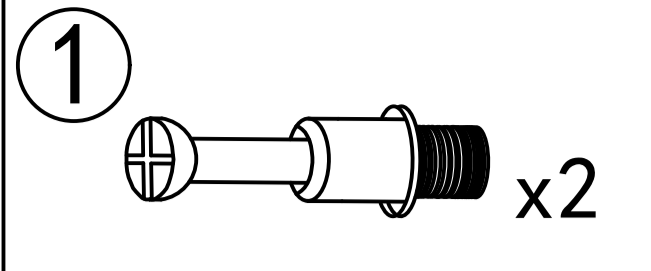
x2

Repeat the drawer installation steps

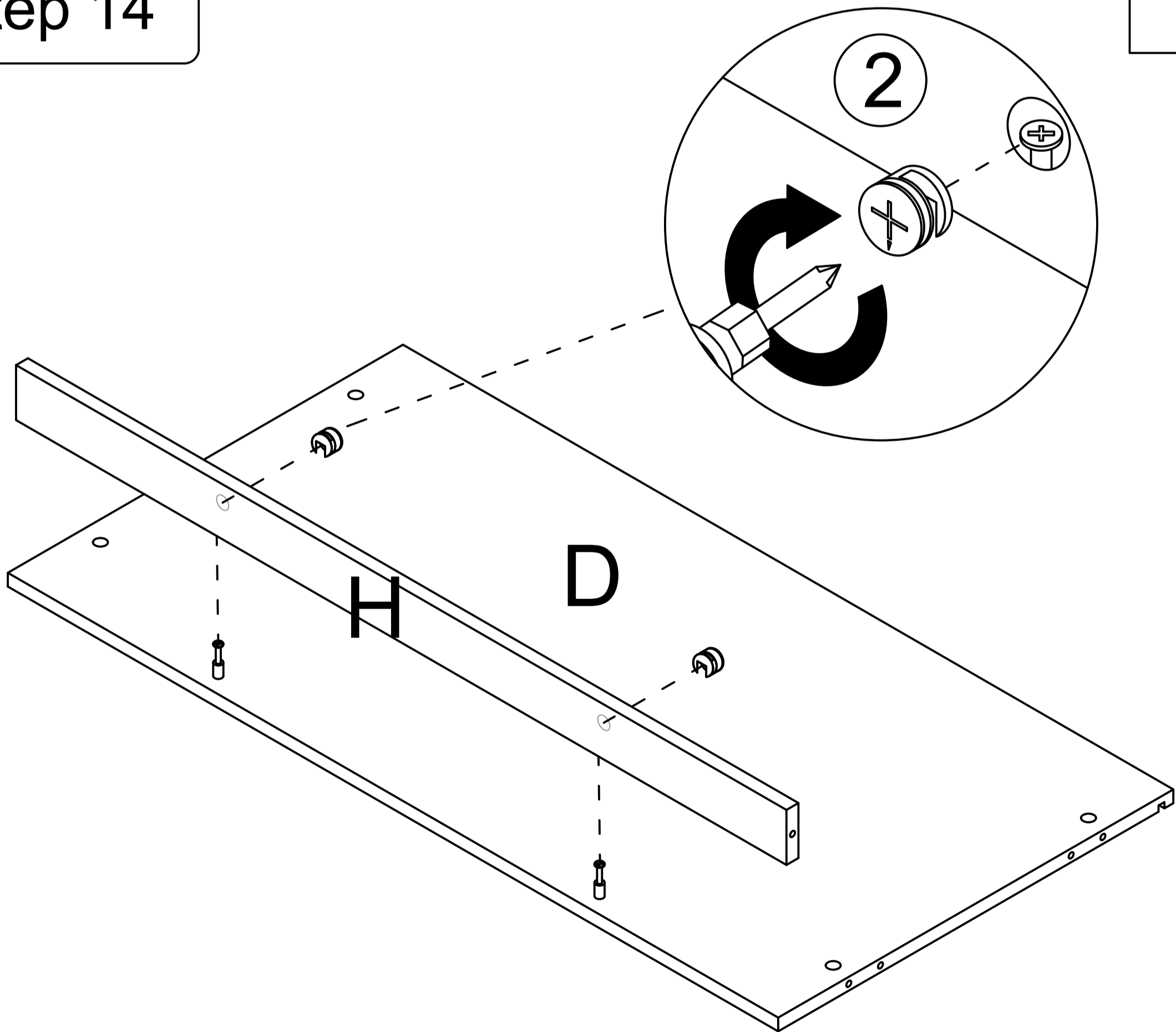
①		24pcs	②		24pcs
③		8pcs	④	 	6pcs 18pcs
⑤		6pcs	⑥		1pcs
⑦		8pcs			



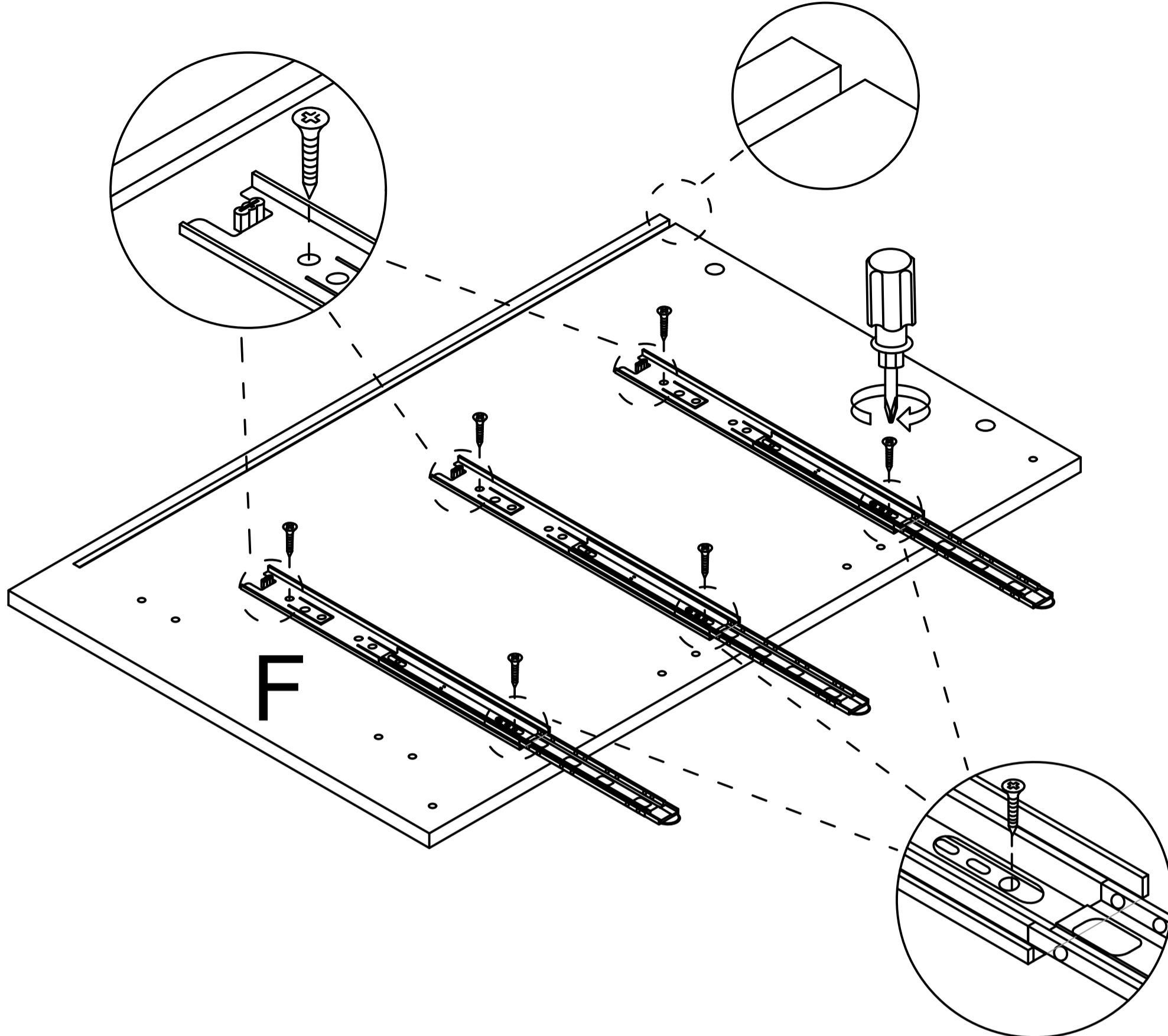
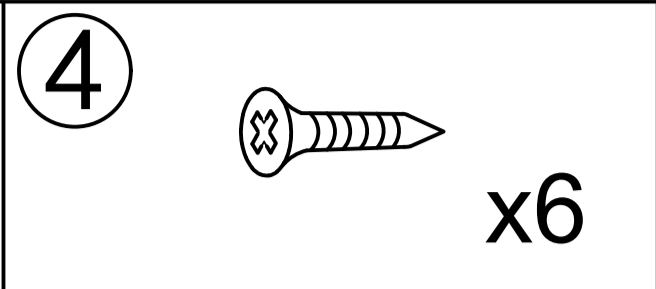
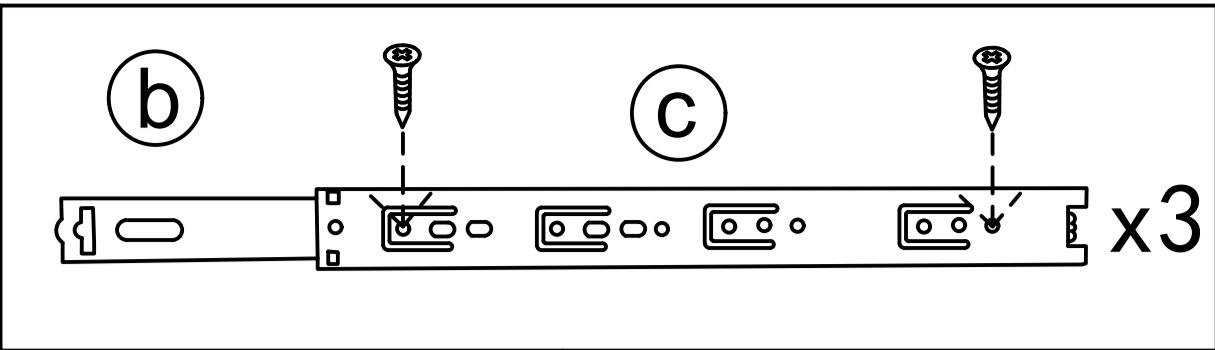
Step 13



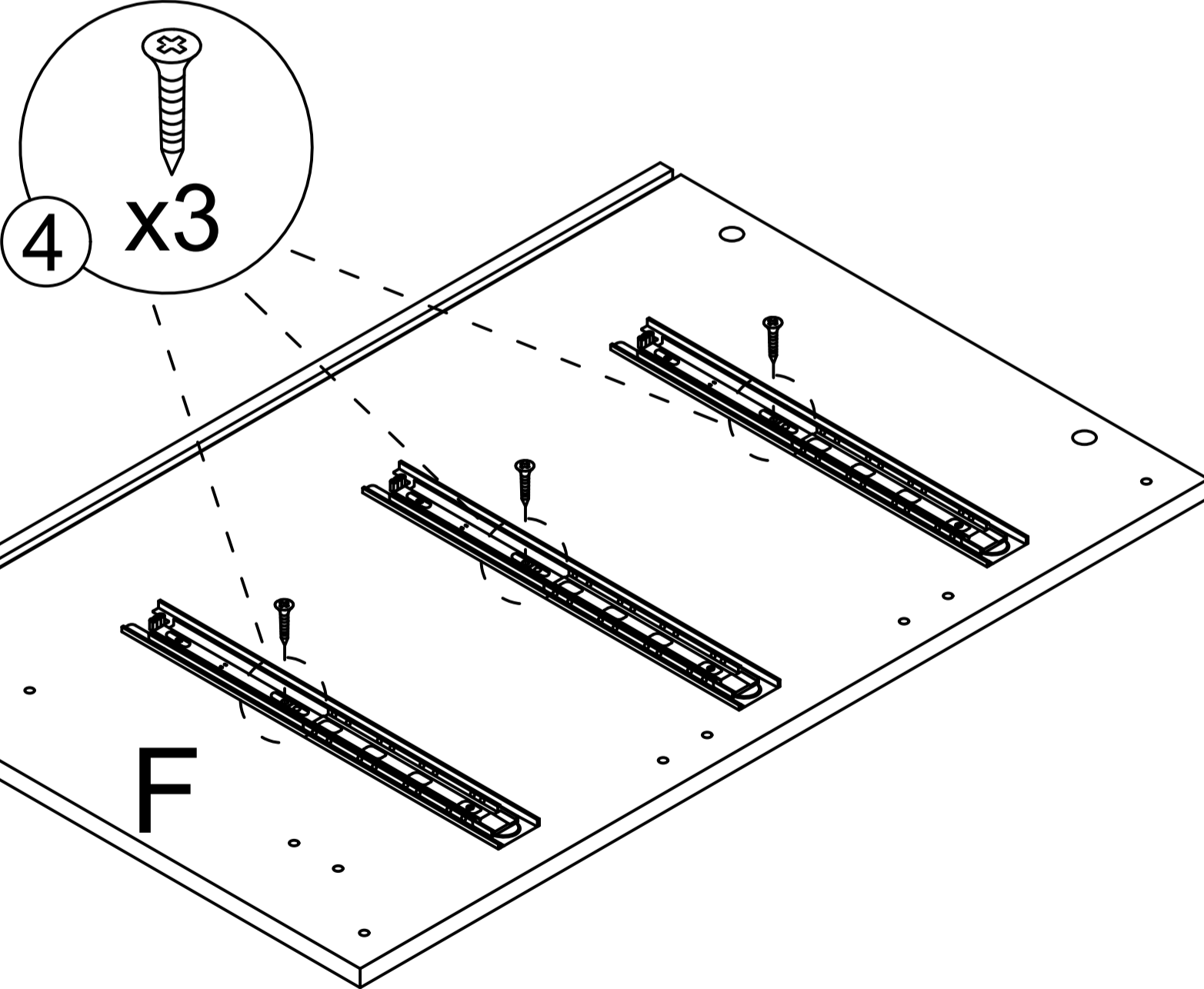
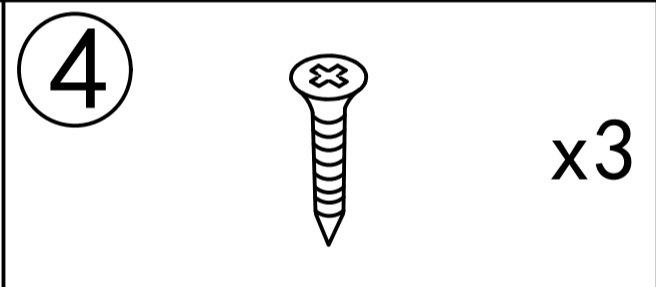
Step 14



Step 15

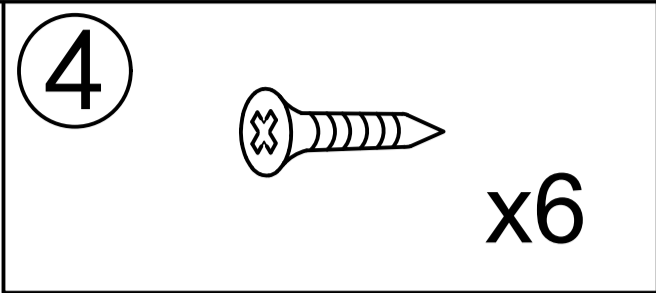
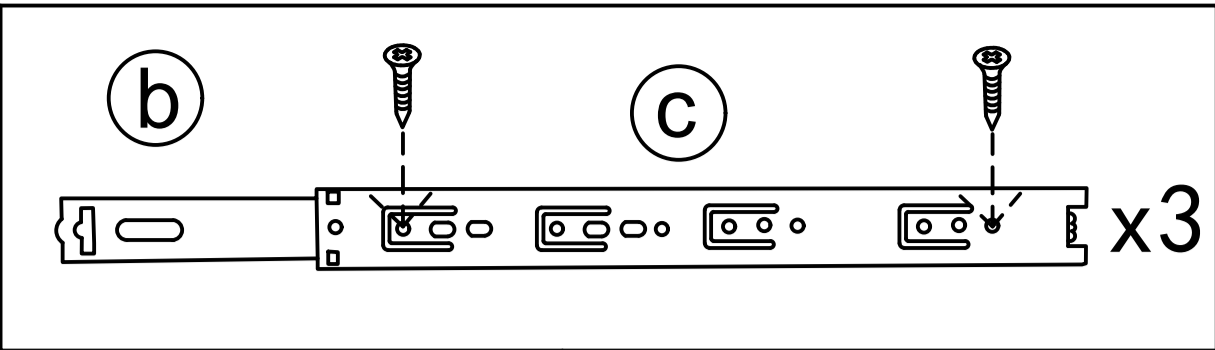
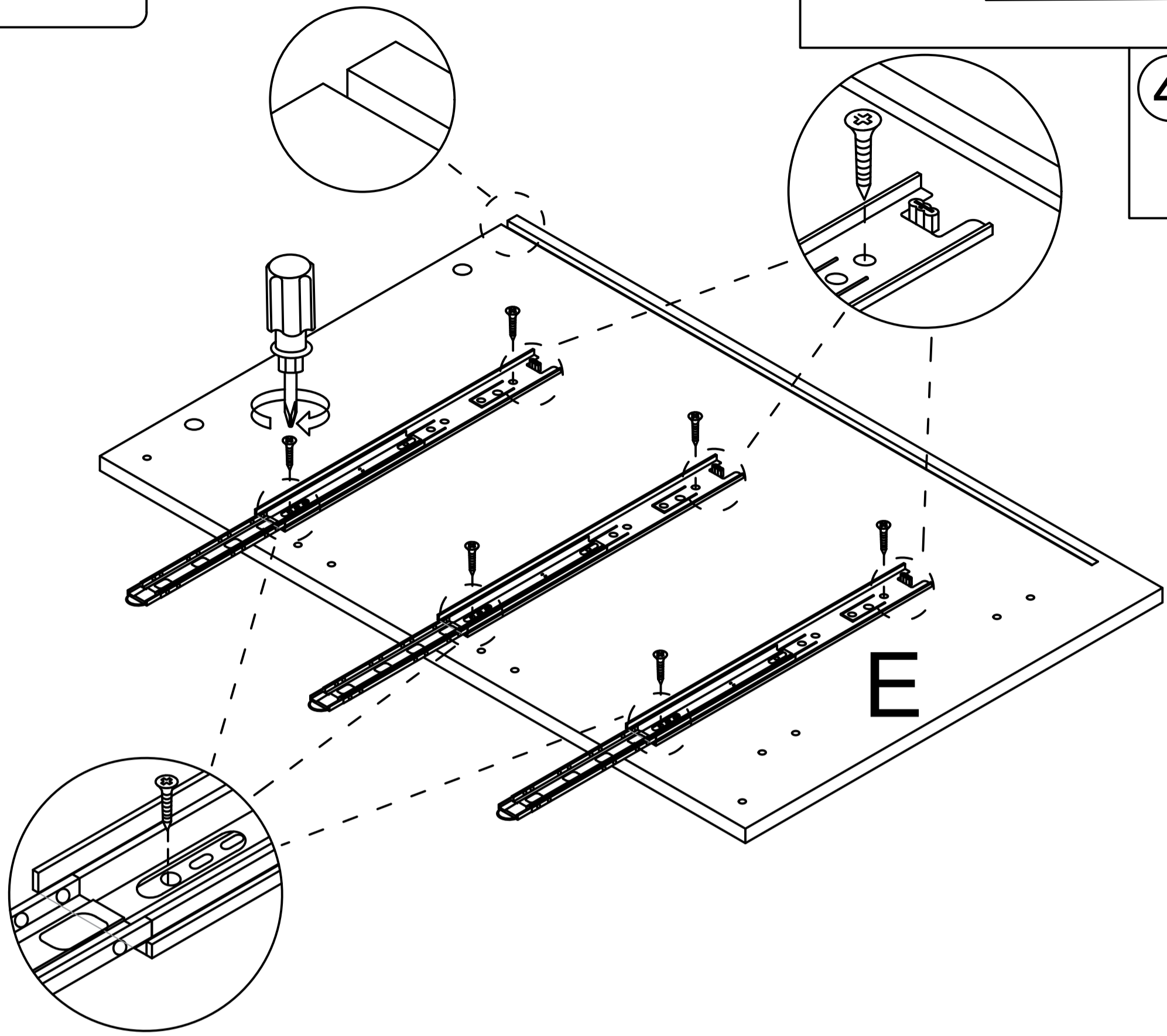


Step 16

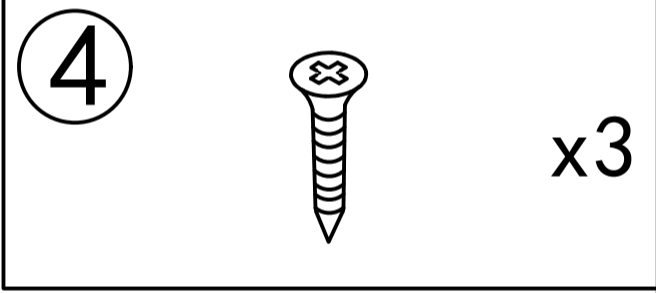
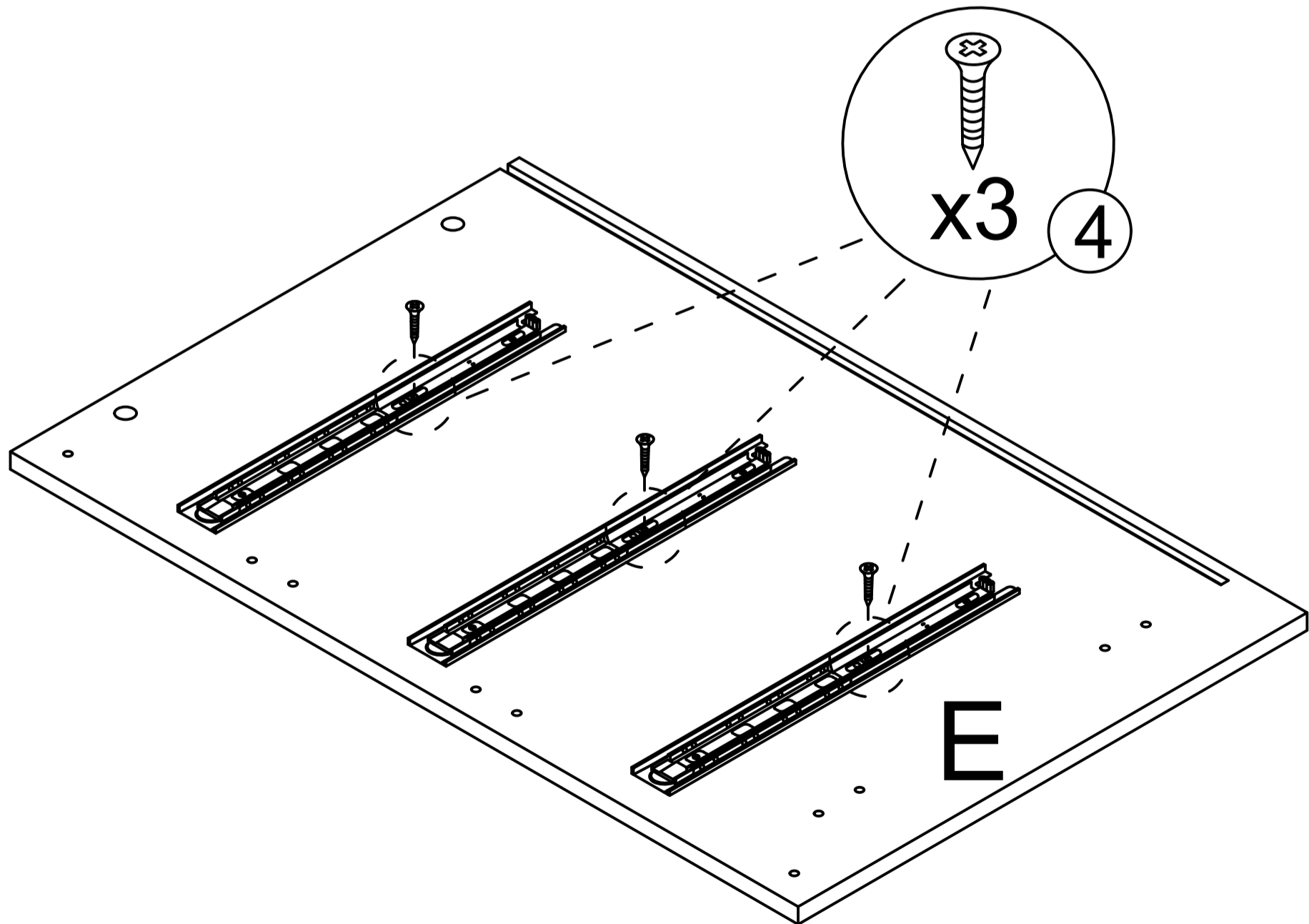


This hole is a reinforced fixing hole which can be installed as required

Step 17

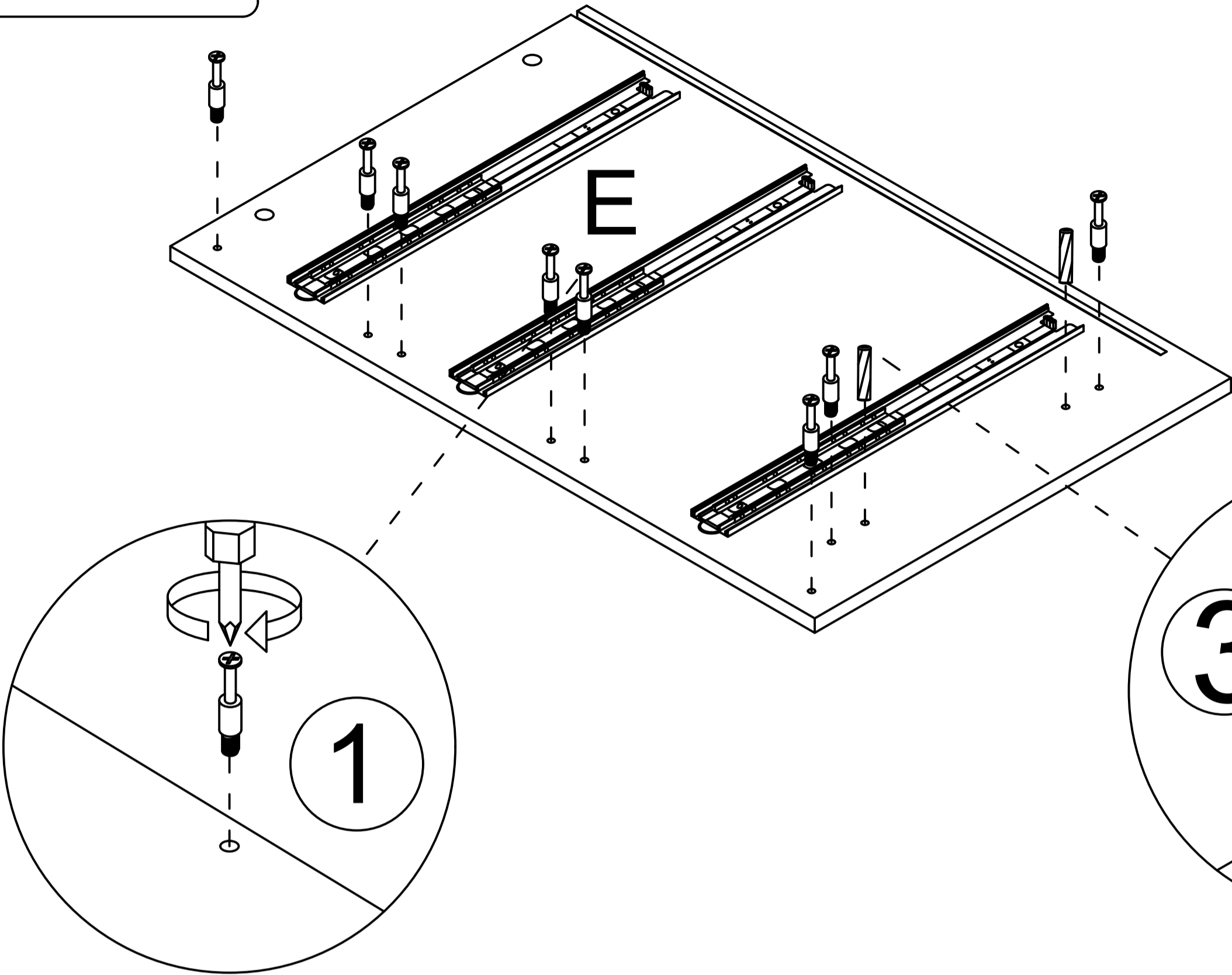


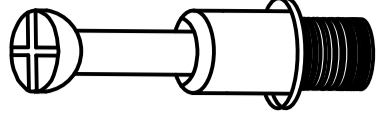

Step 18



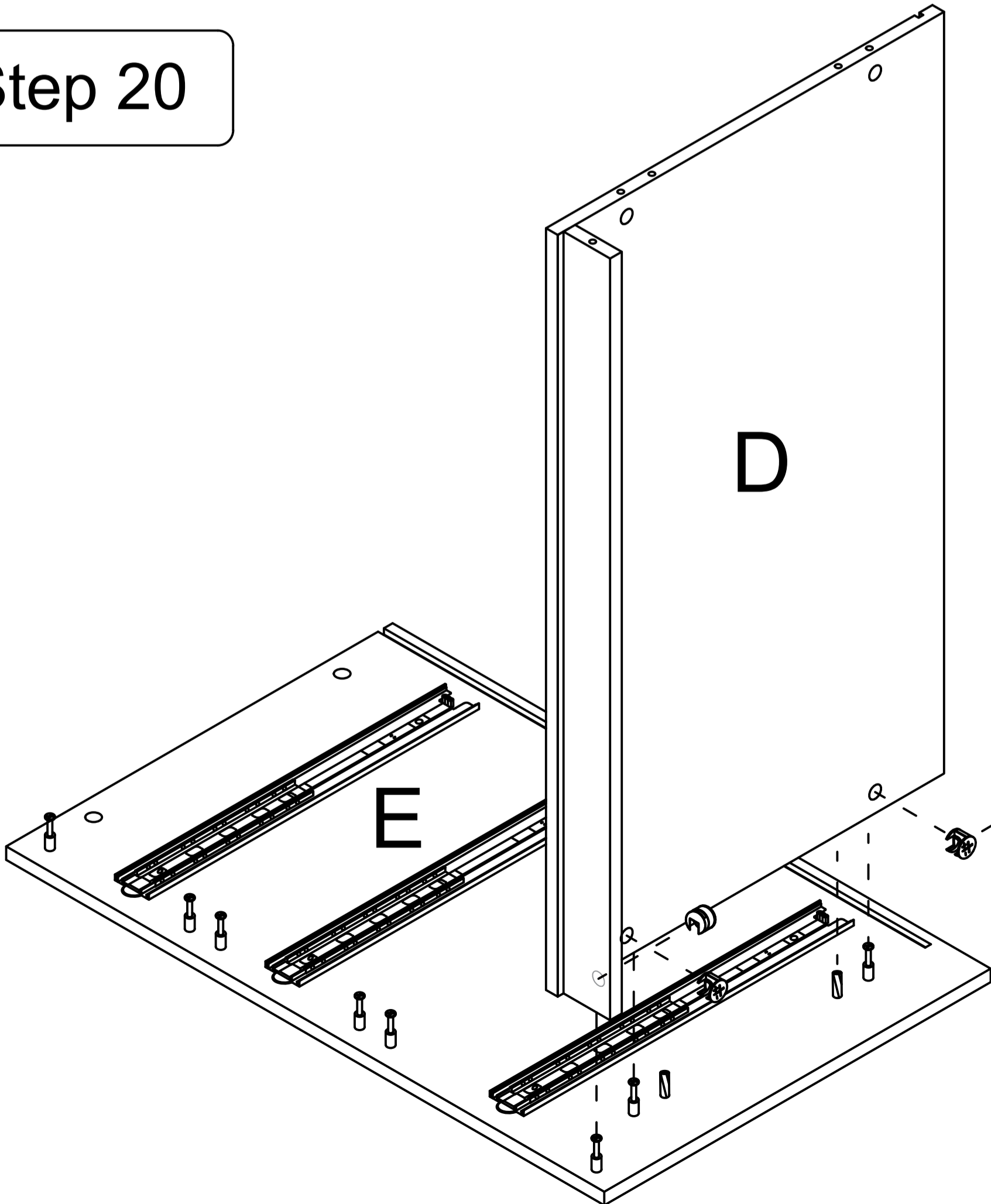
This hole is a reinforced fixing hole which can be installed as required

Step 19



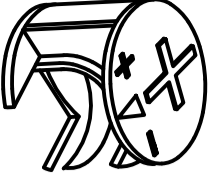
- ①  x8
- ③  x2

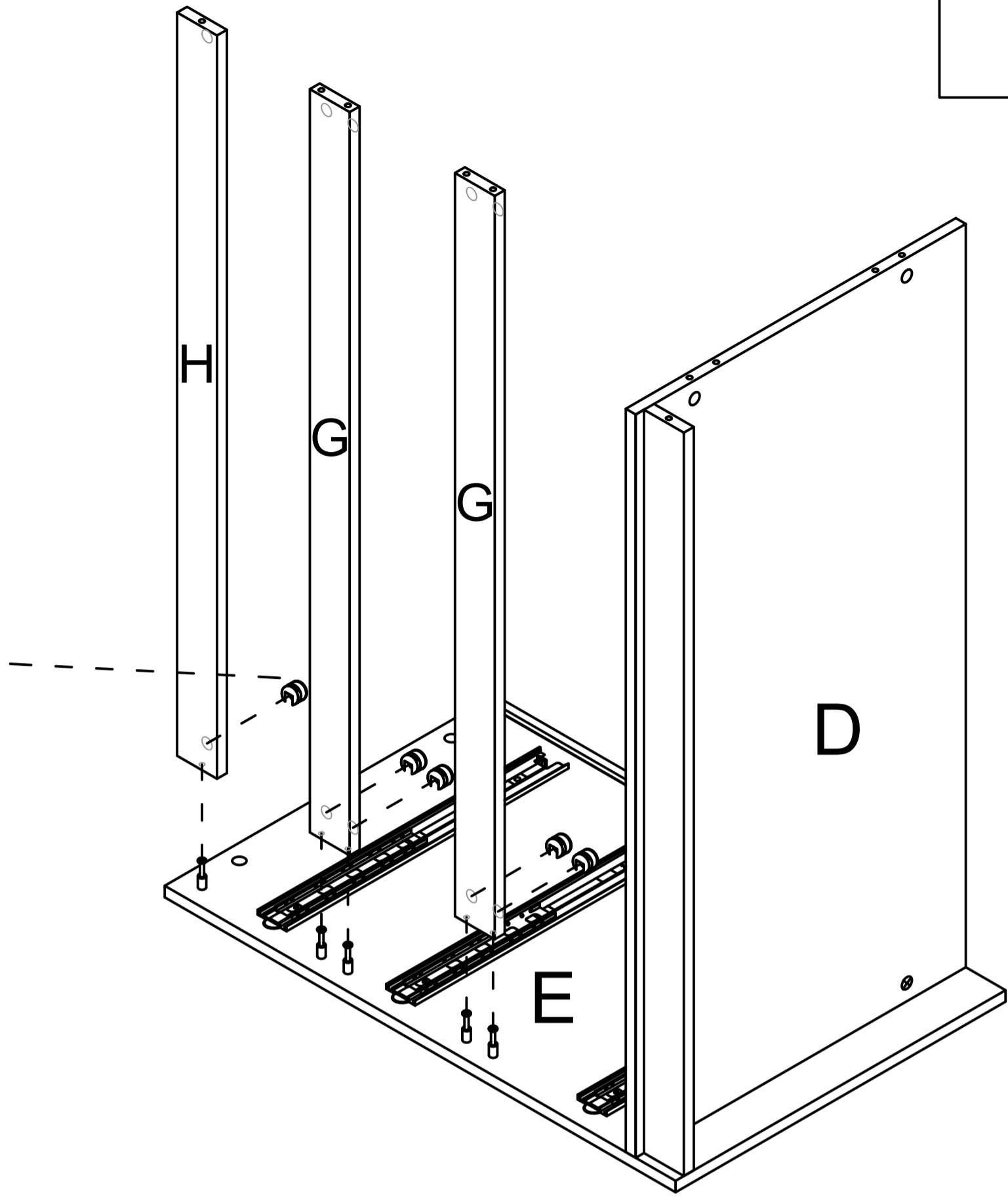
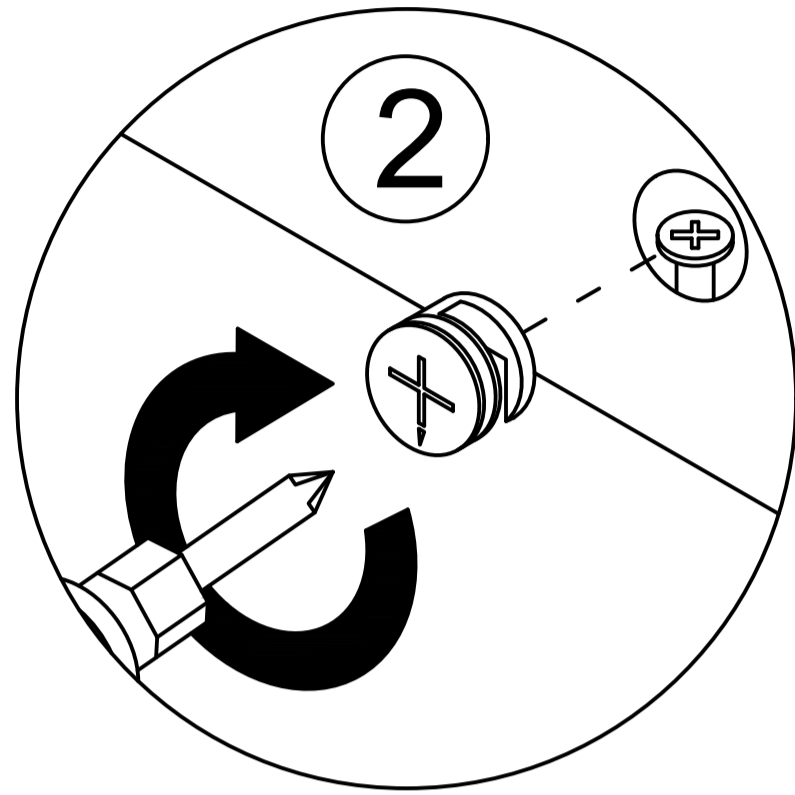
Step 20




- ②  x3

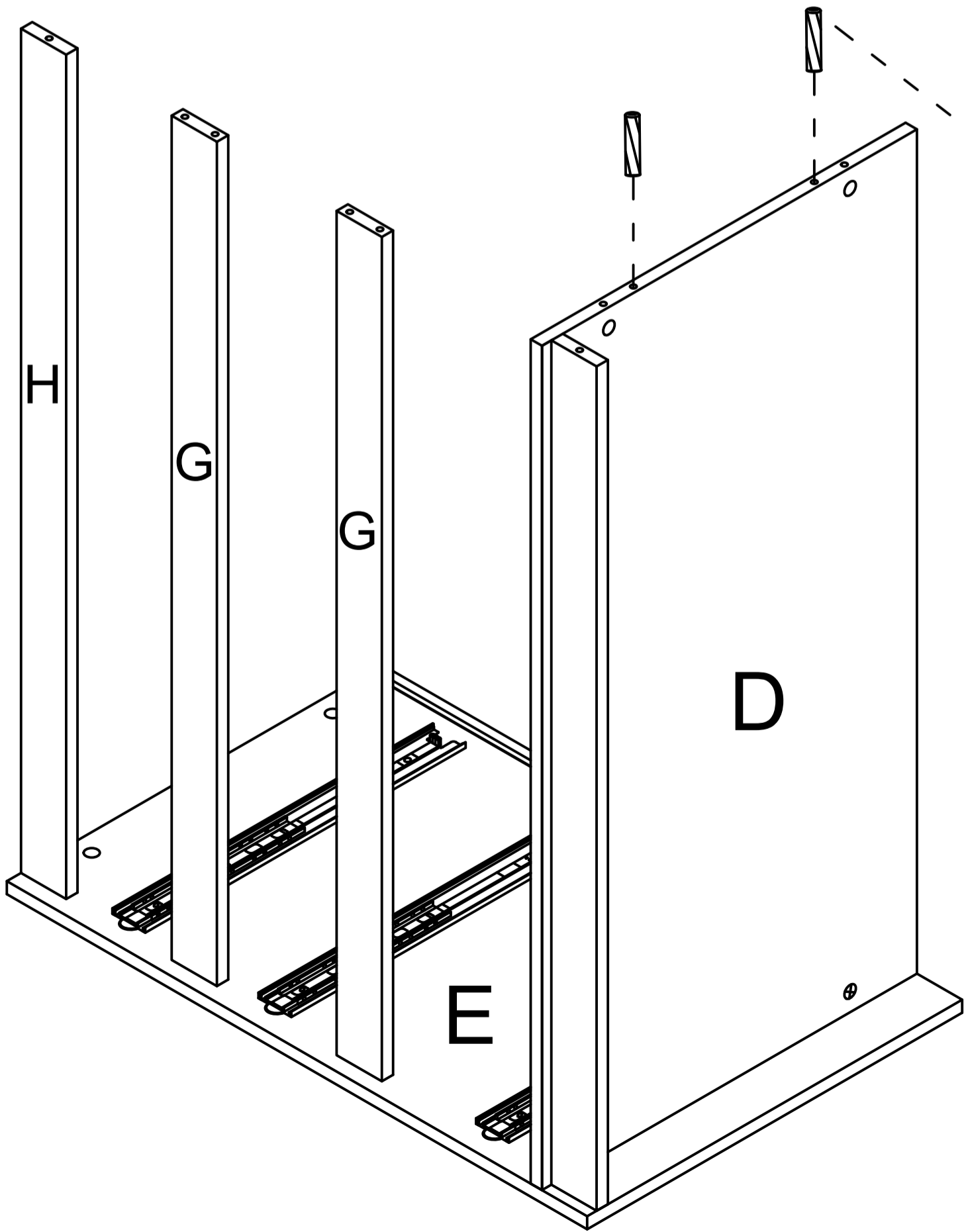
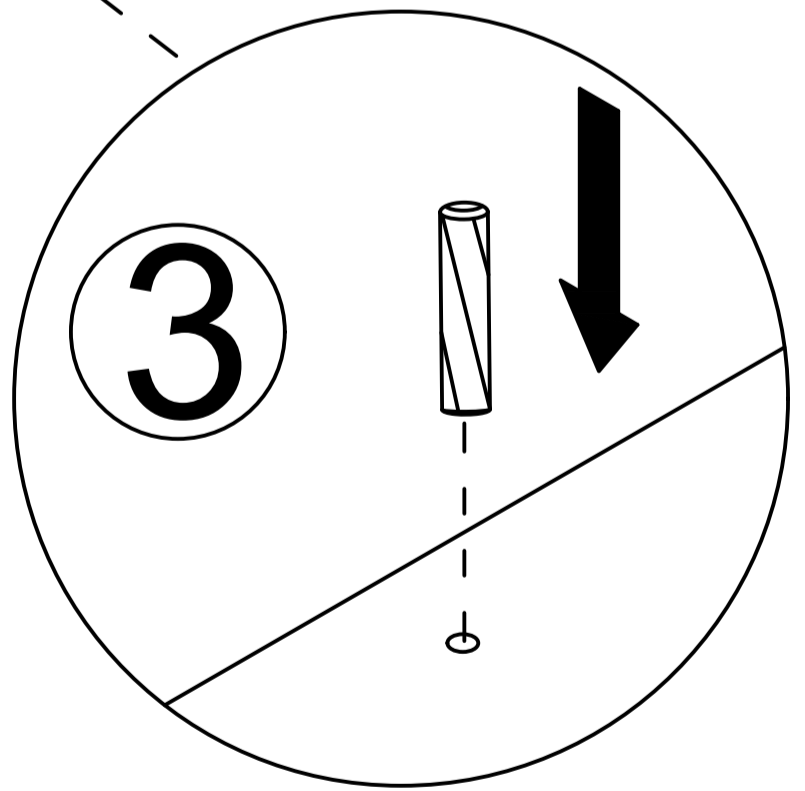
Step 21

②  x5

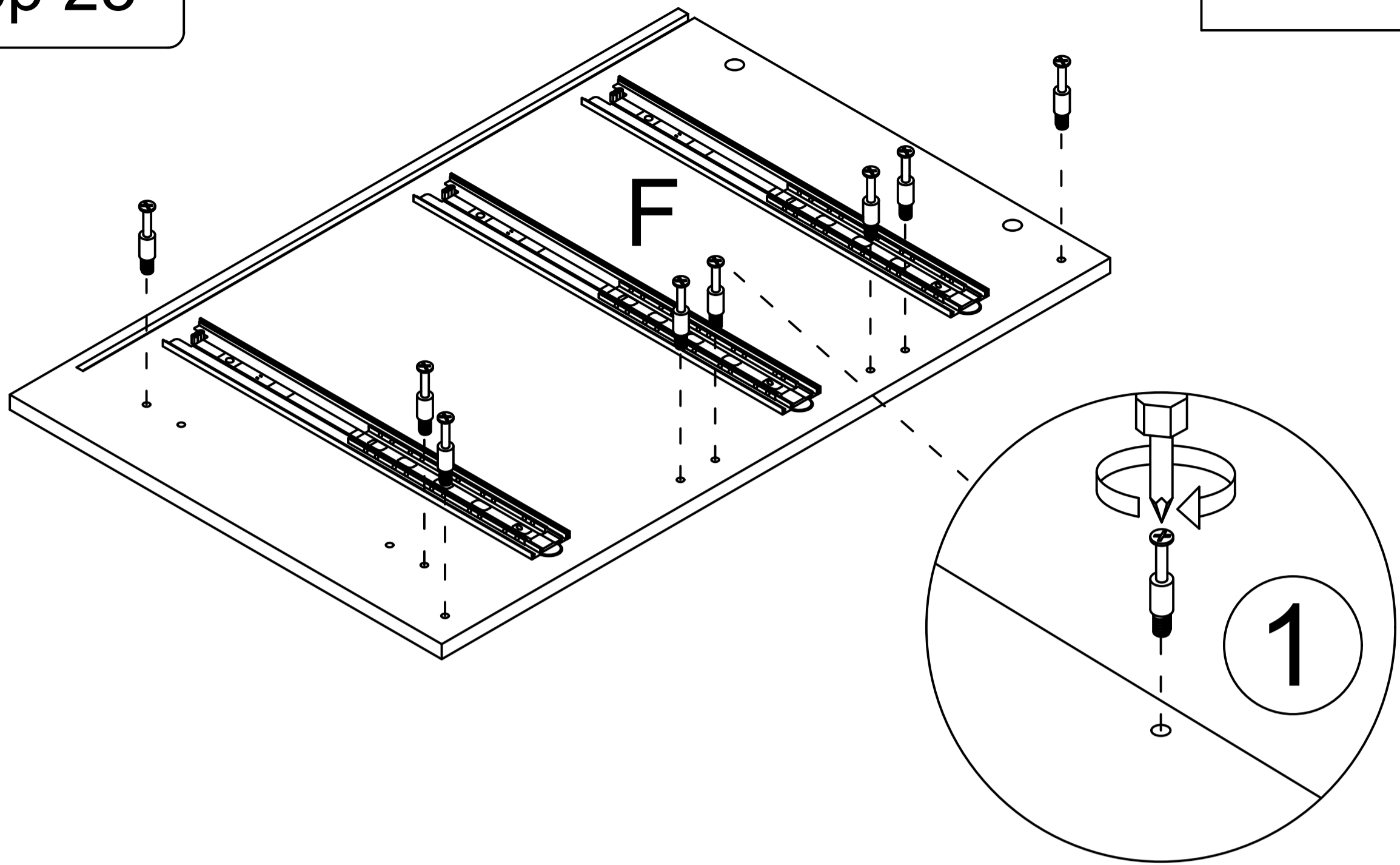
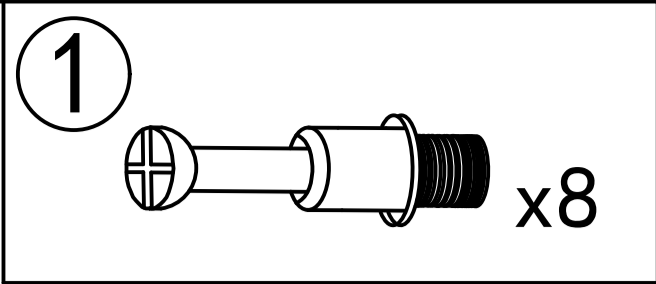


Step 22

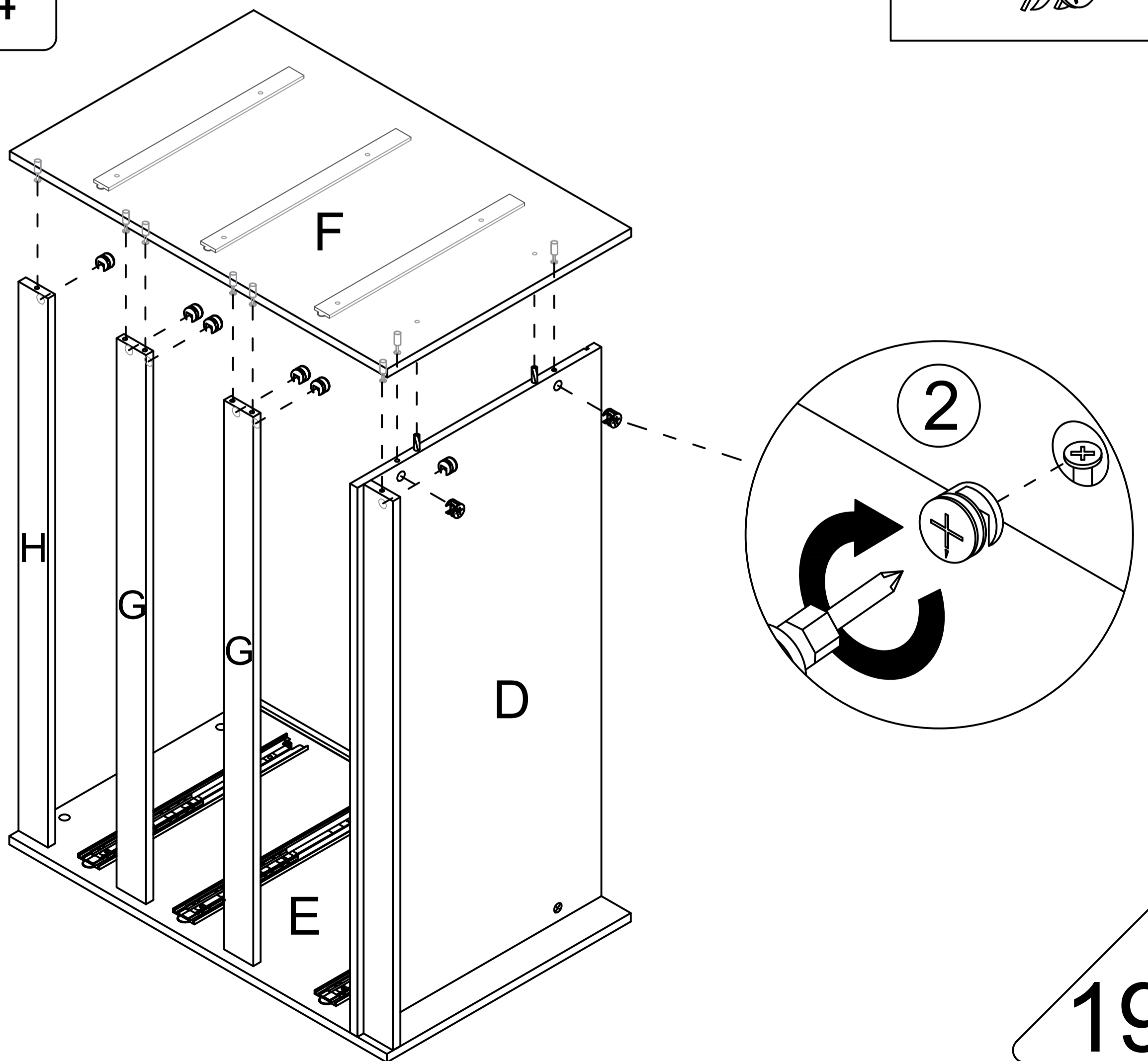
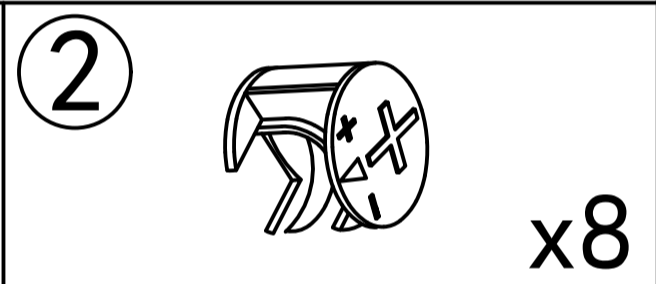
③  x2




Step 23

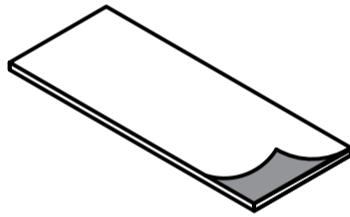
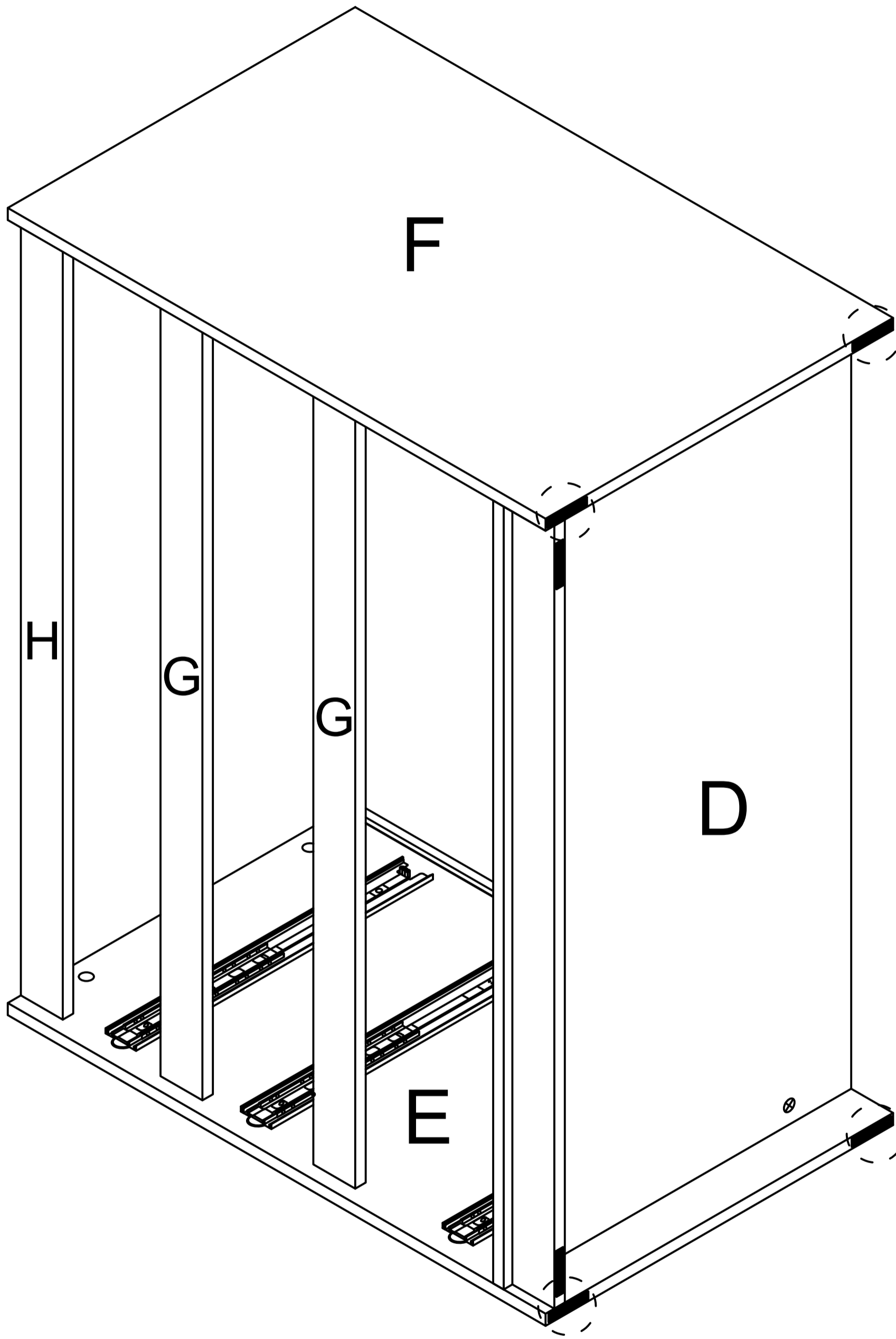


Step 24



Step 25

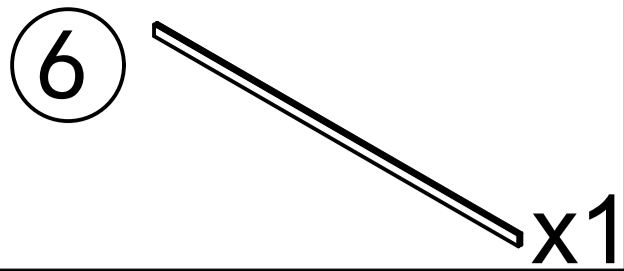
⑤  x6



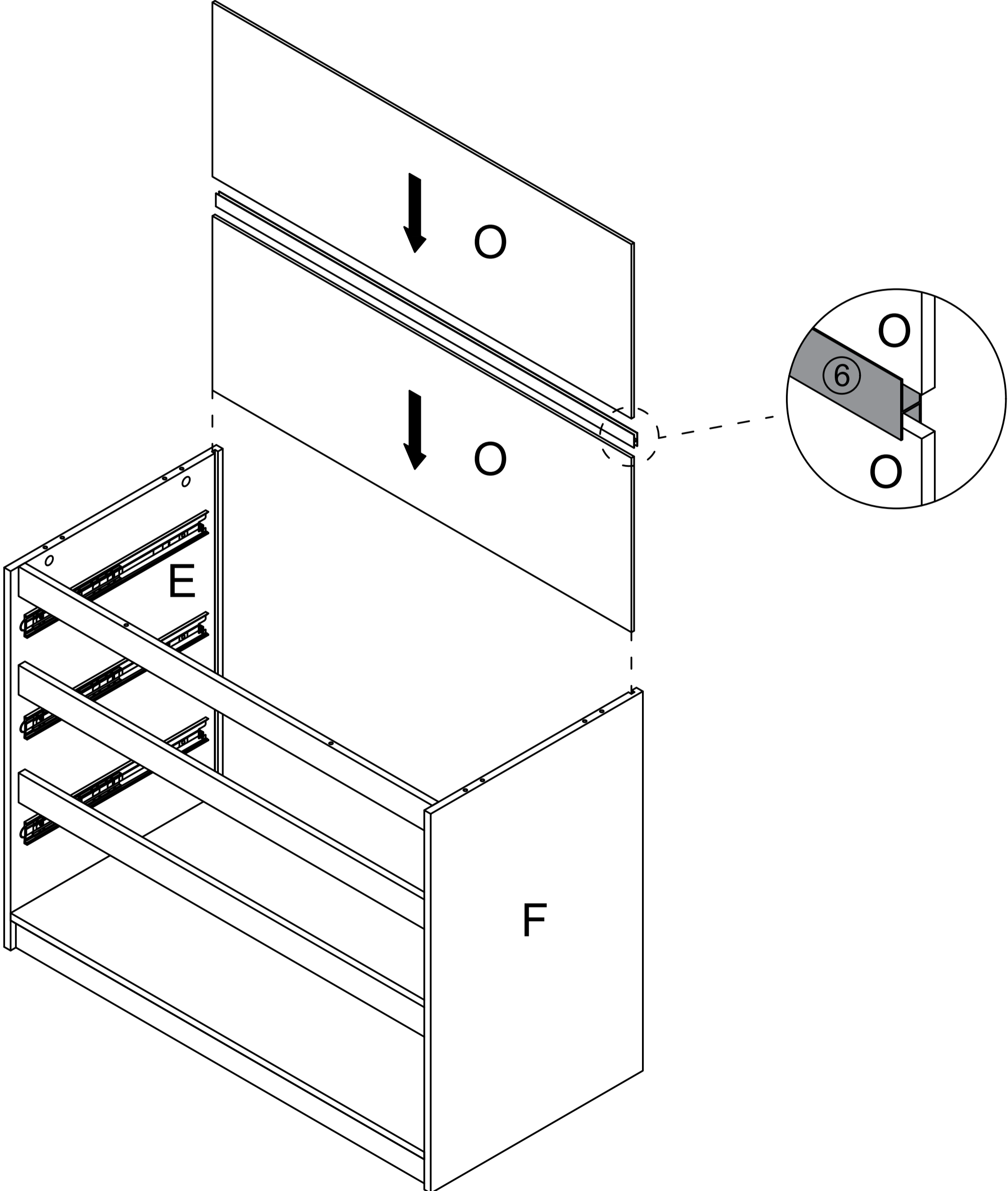
⑤

Tear off release paper and stick the black foot pad on the board

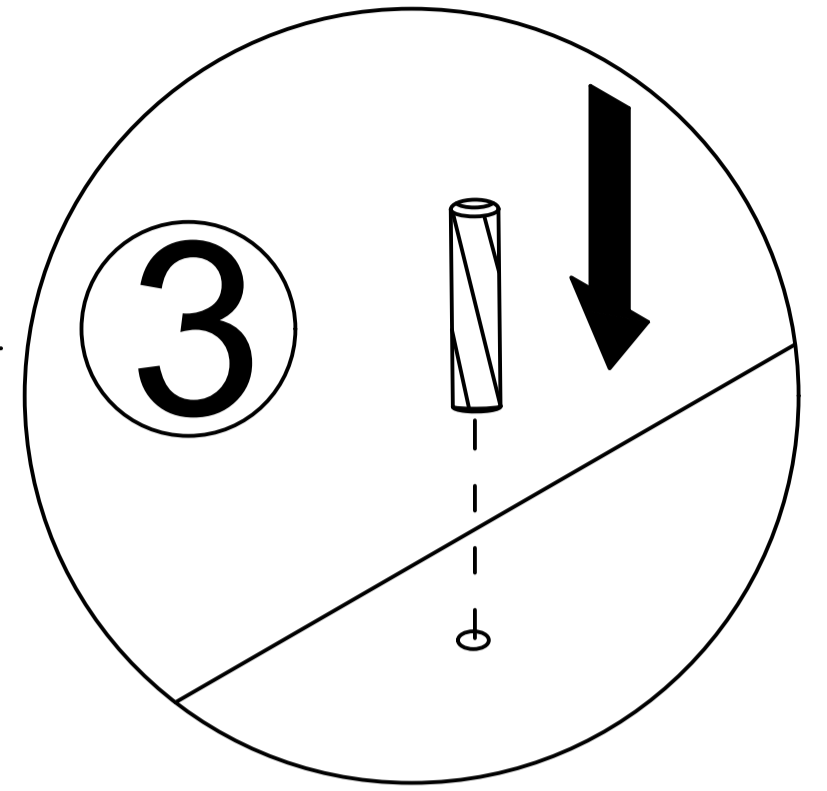
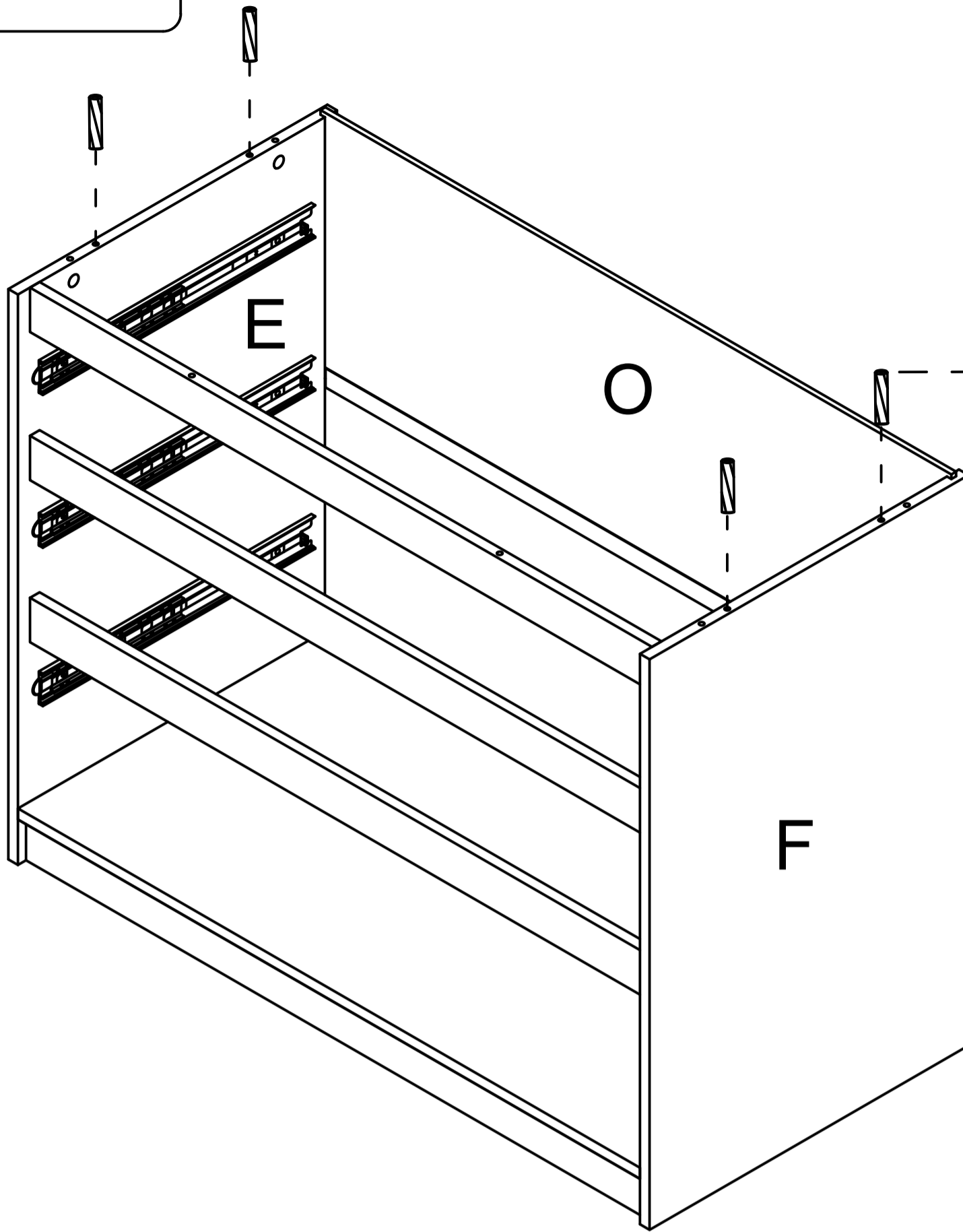
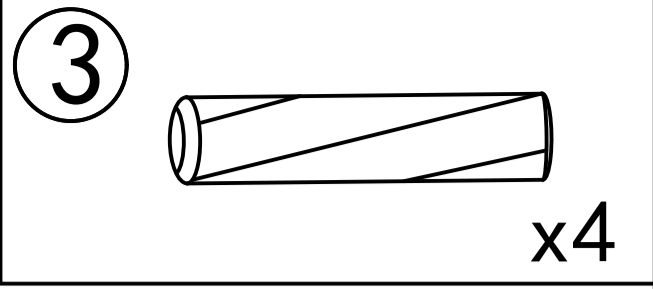
Step 26



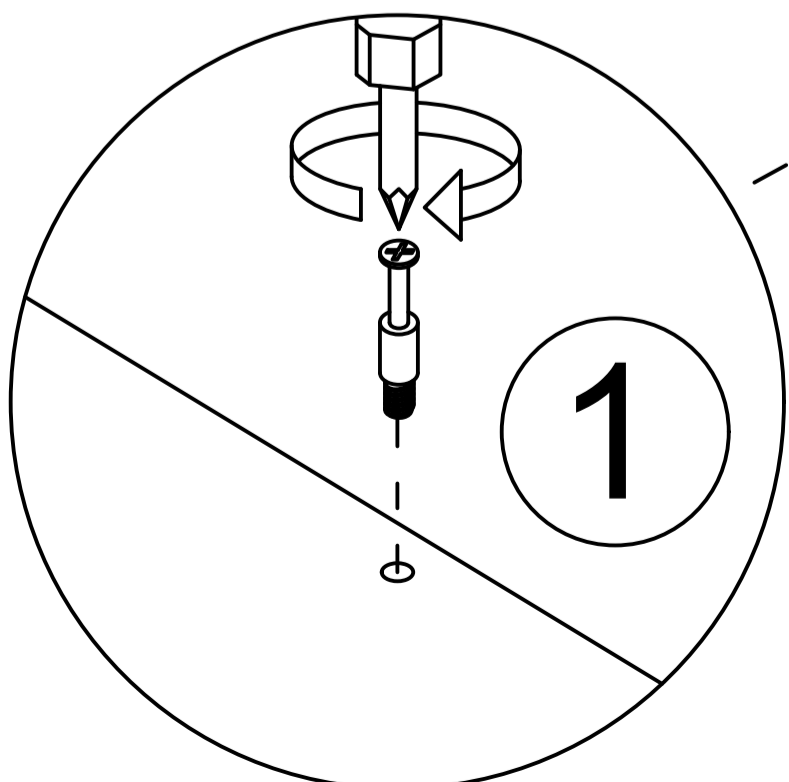
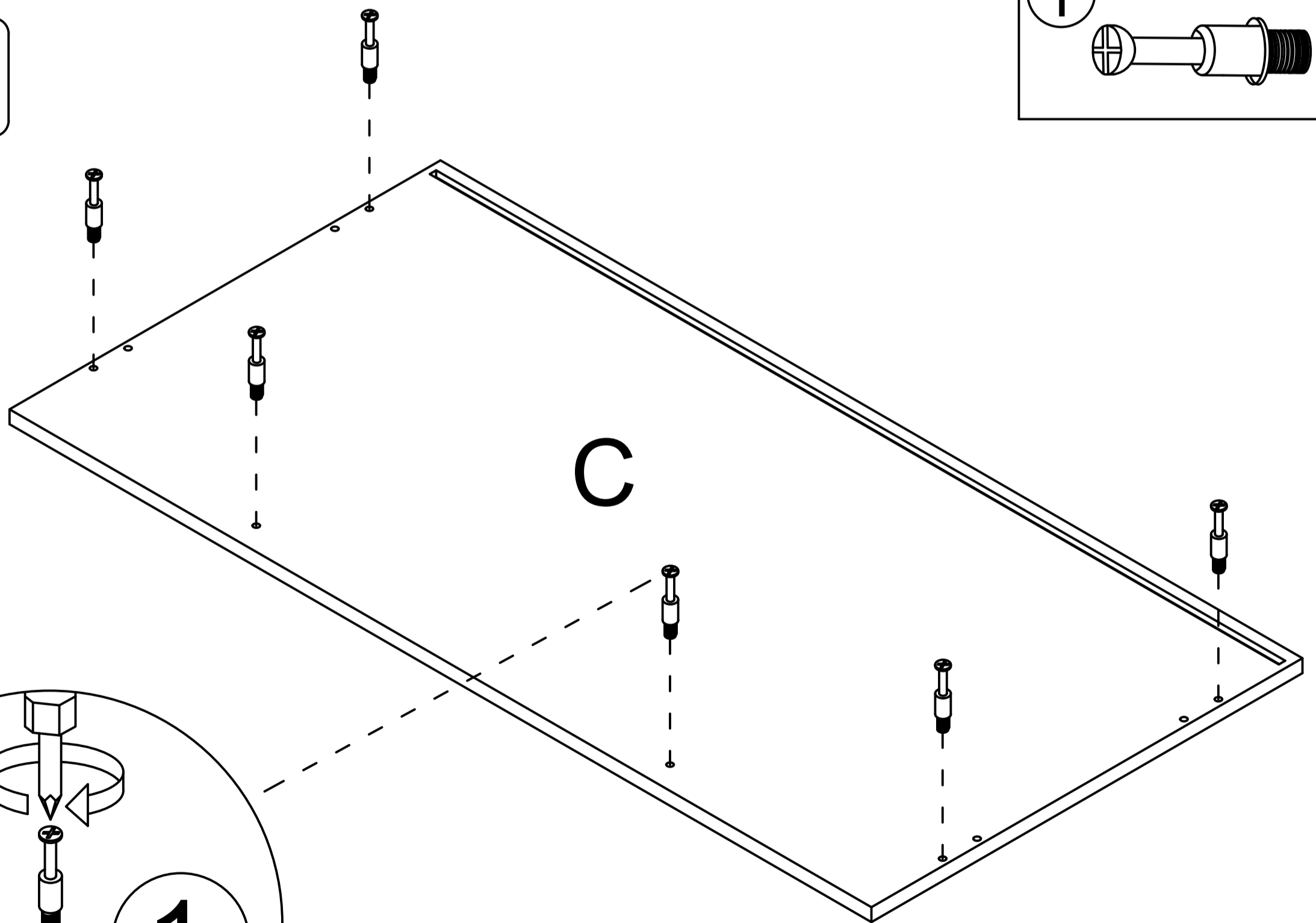
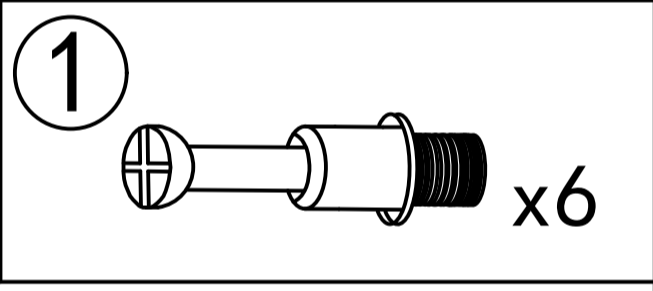
Place the "O" board, Backboard card strip, and "O" board in order



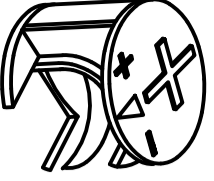
Step 27

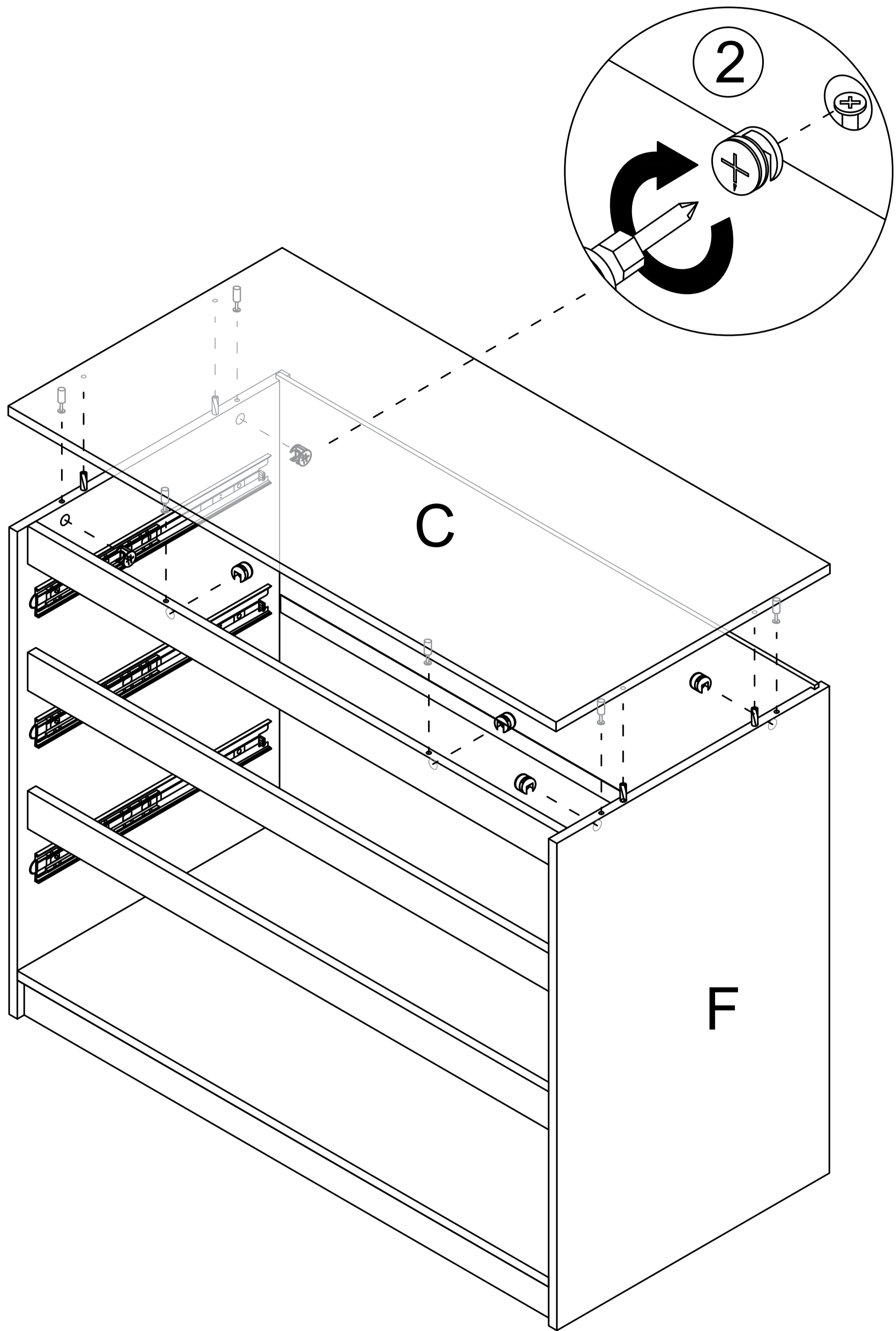


Step 28

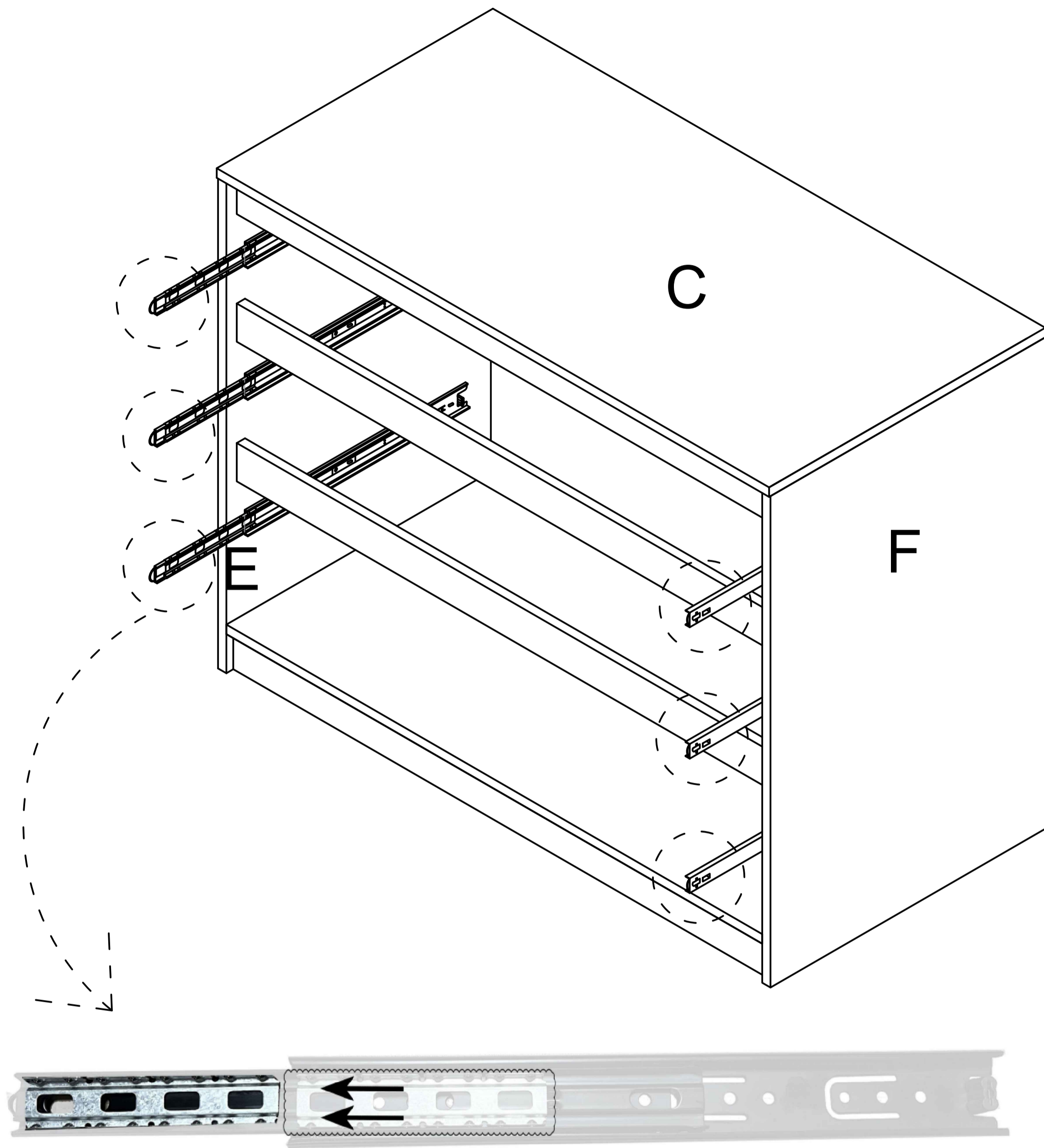


Step 29

2  x6

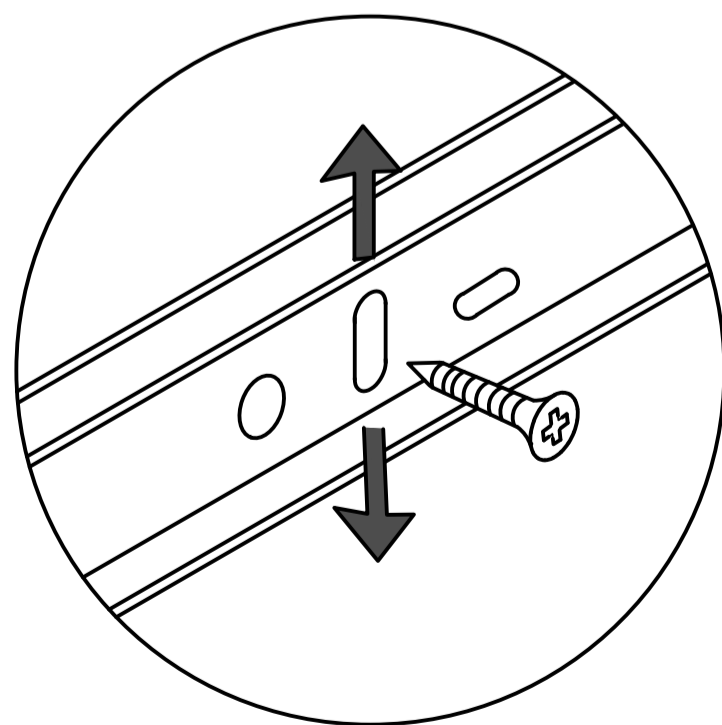
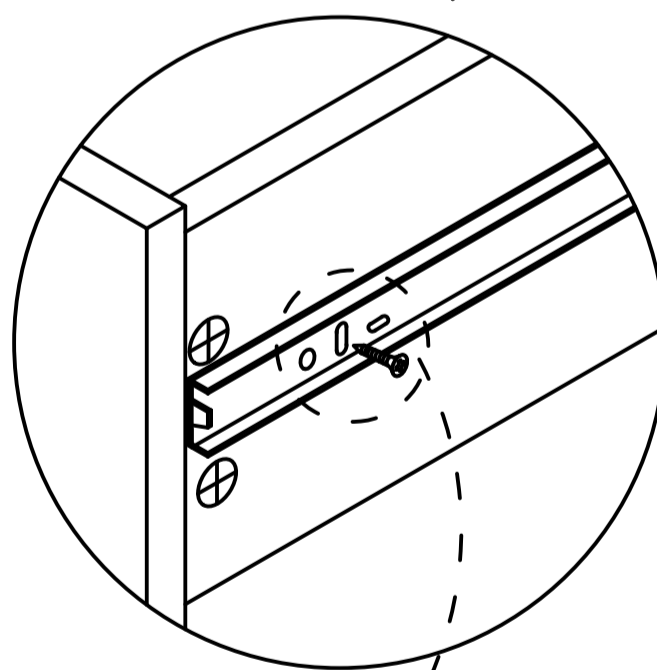
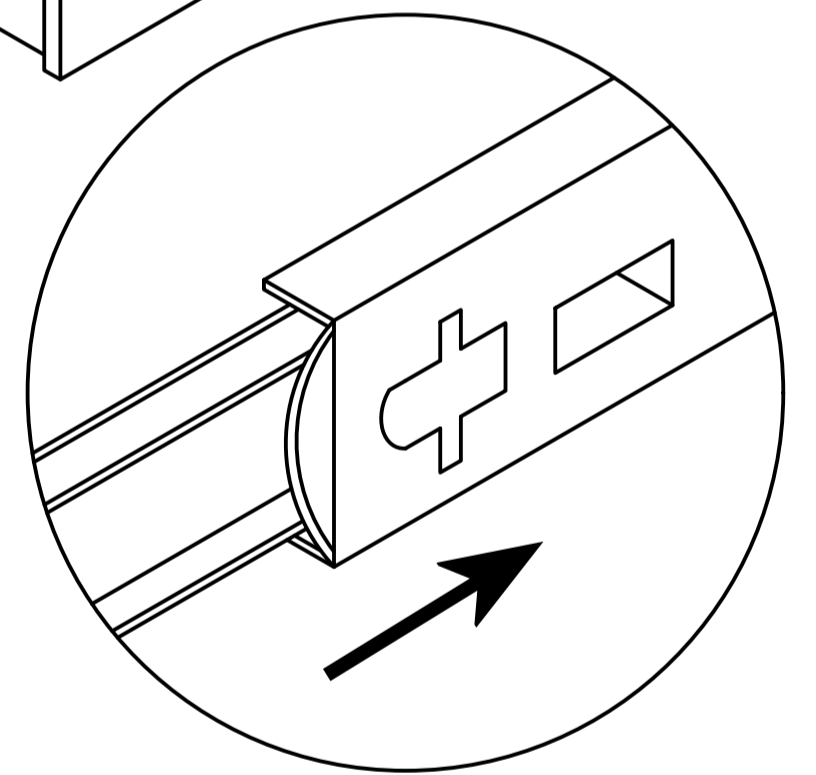
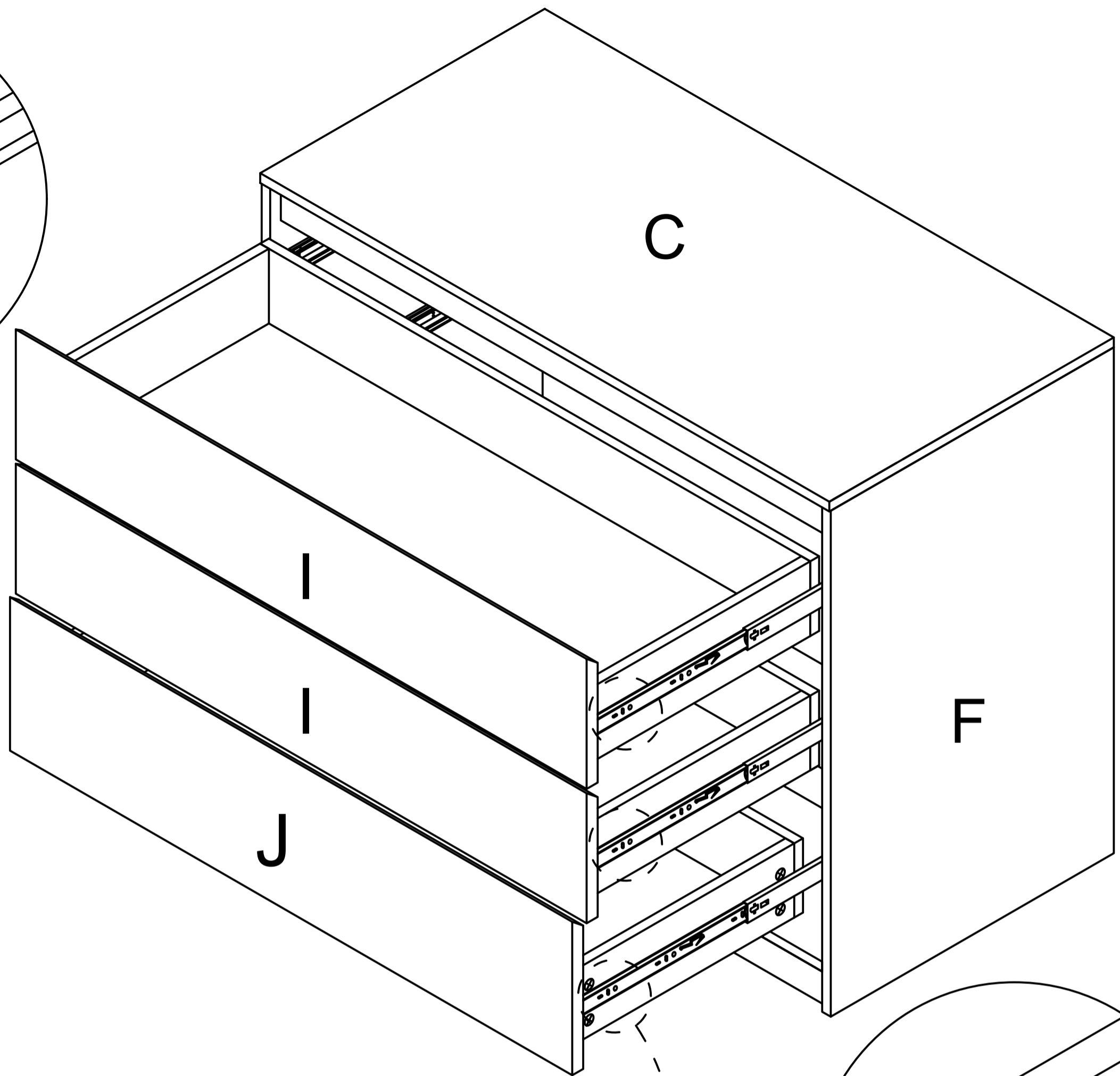
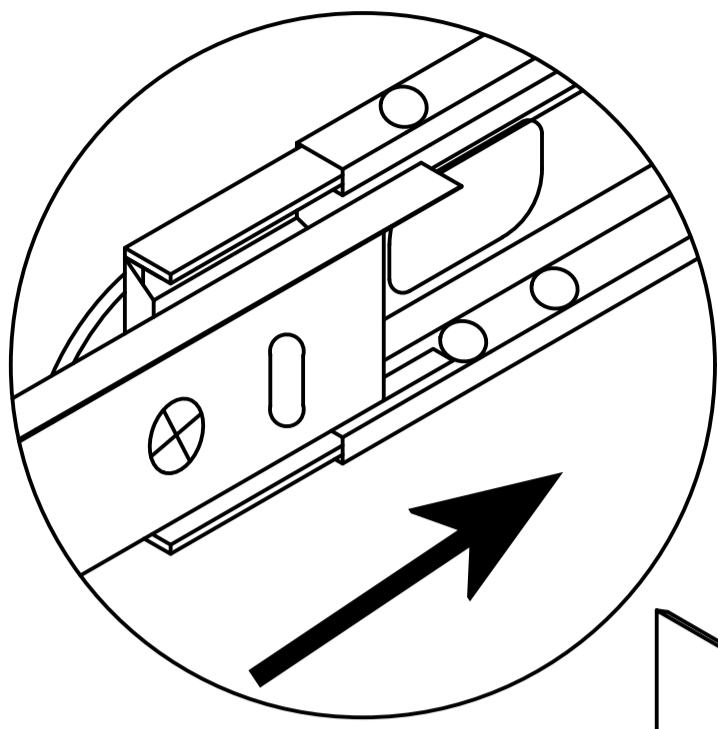


Step 30



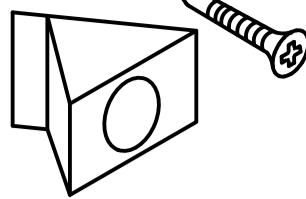
As shown, When installing the drawer,
pull the guide rail out first, Slide beads are also pulled out.

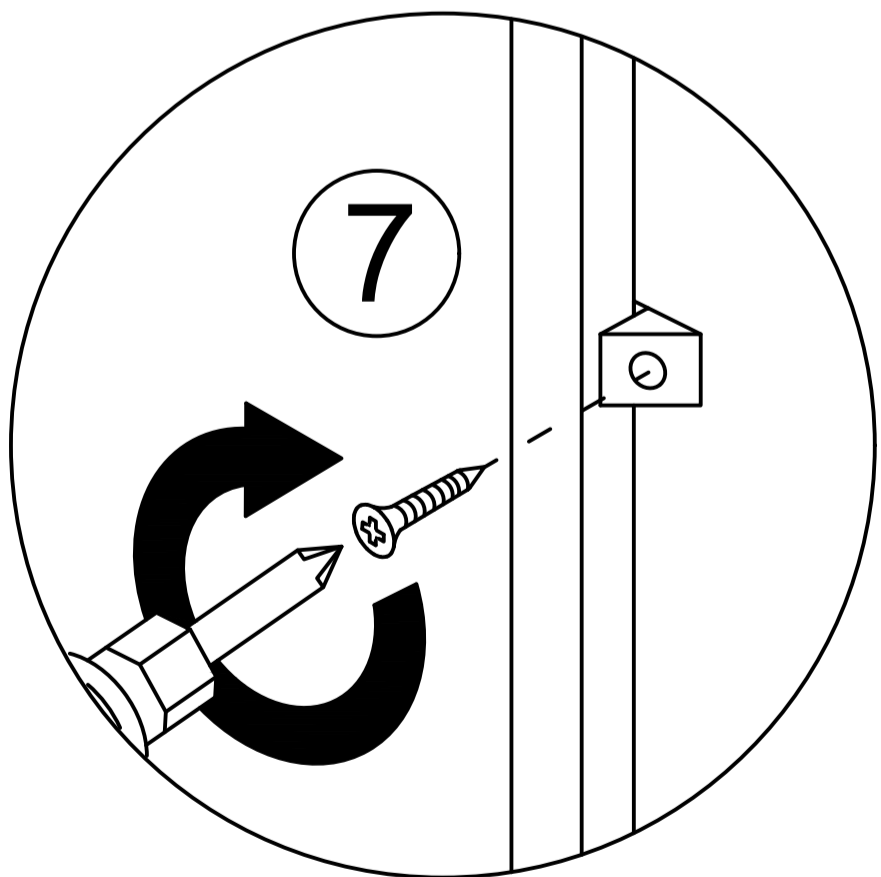
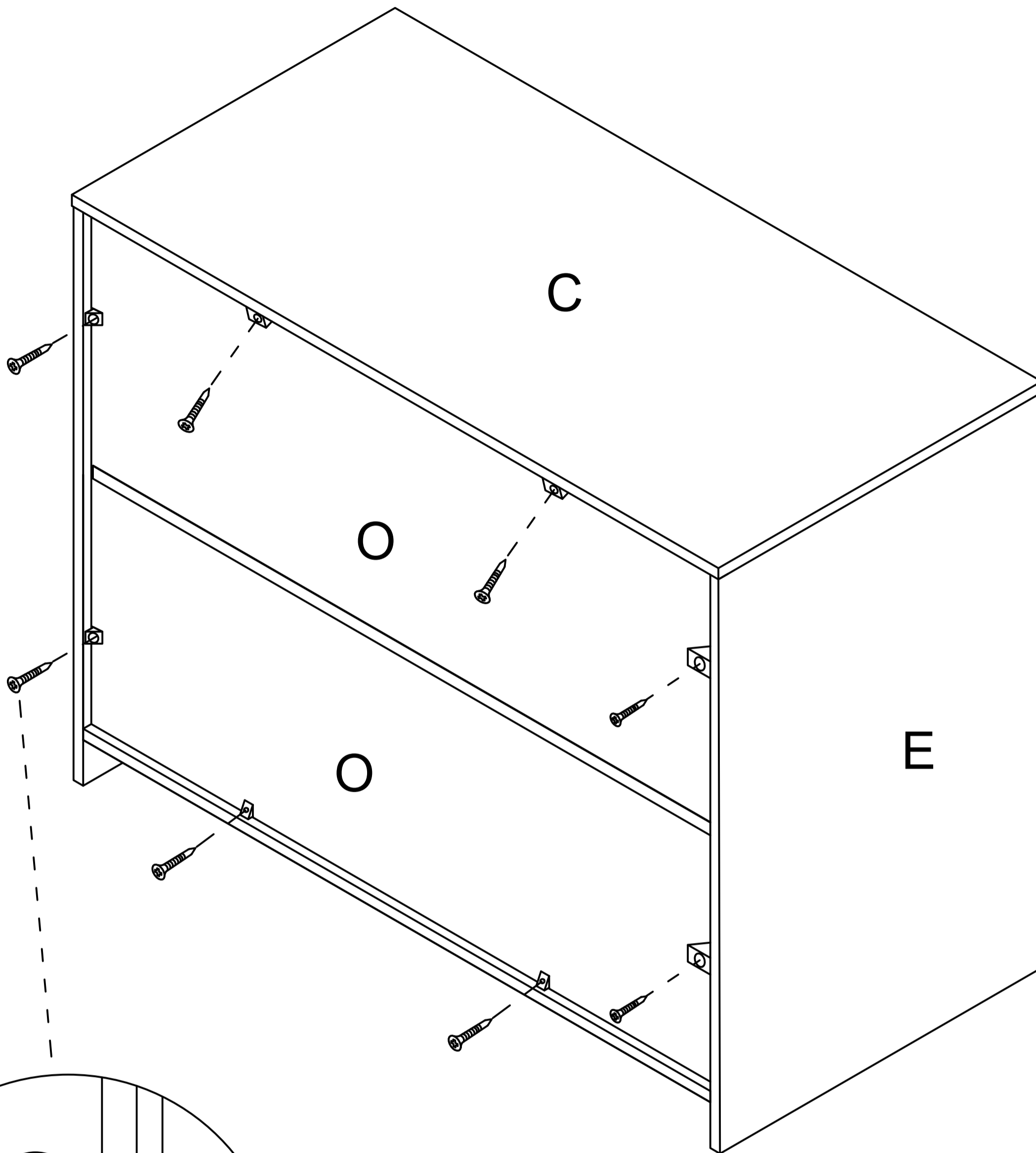
Step 31

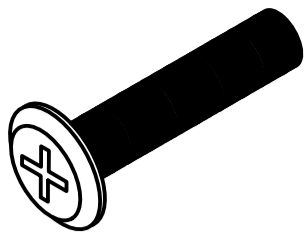
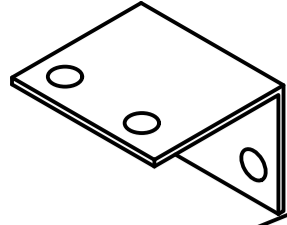
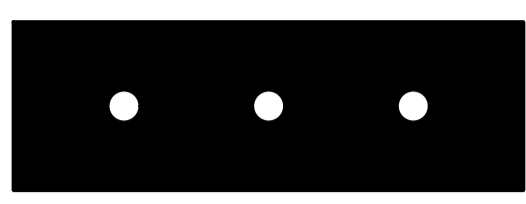
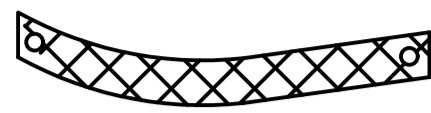
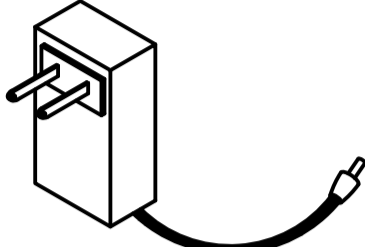

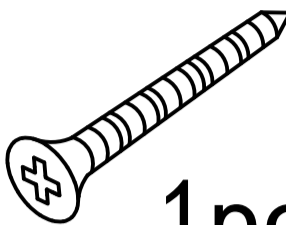
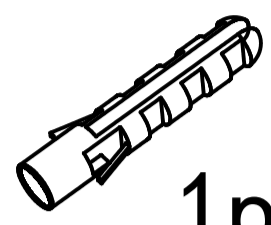


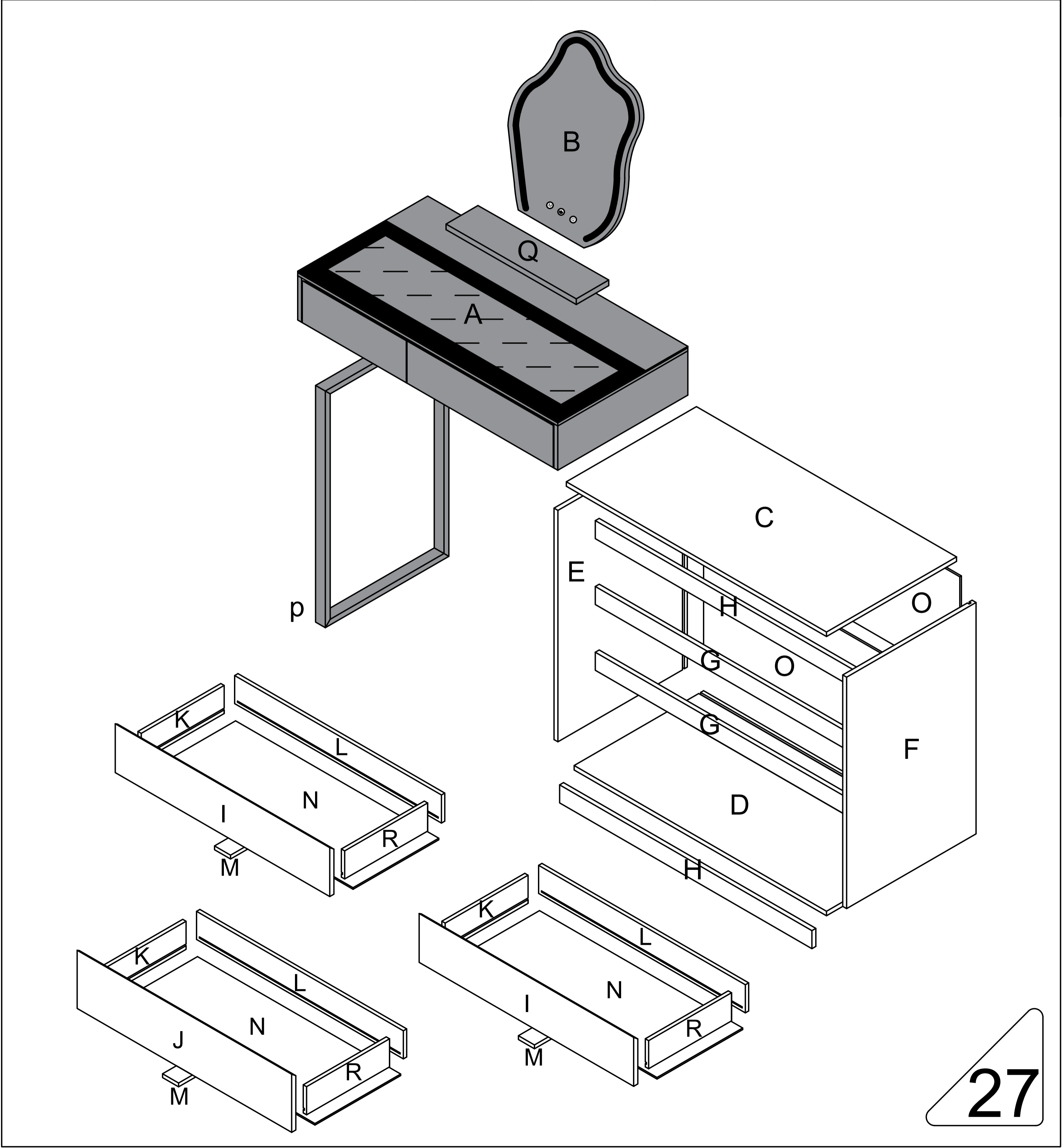
If a large gap is found after installing the drawer the slide rail can be moved up and down to adjust the gap

Step 32

7  x8

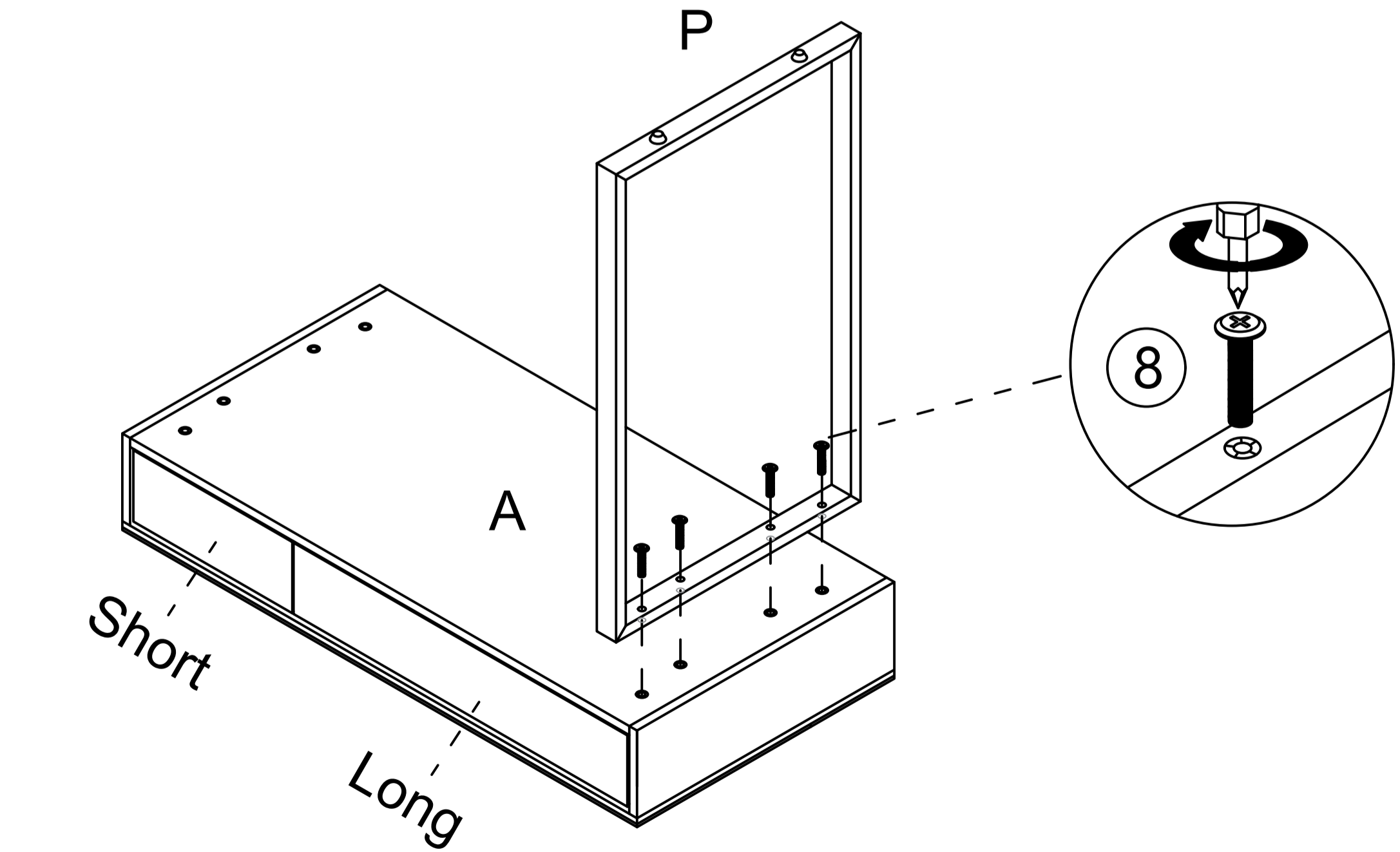
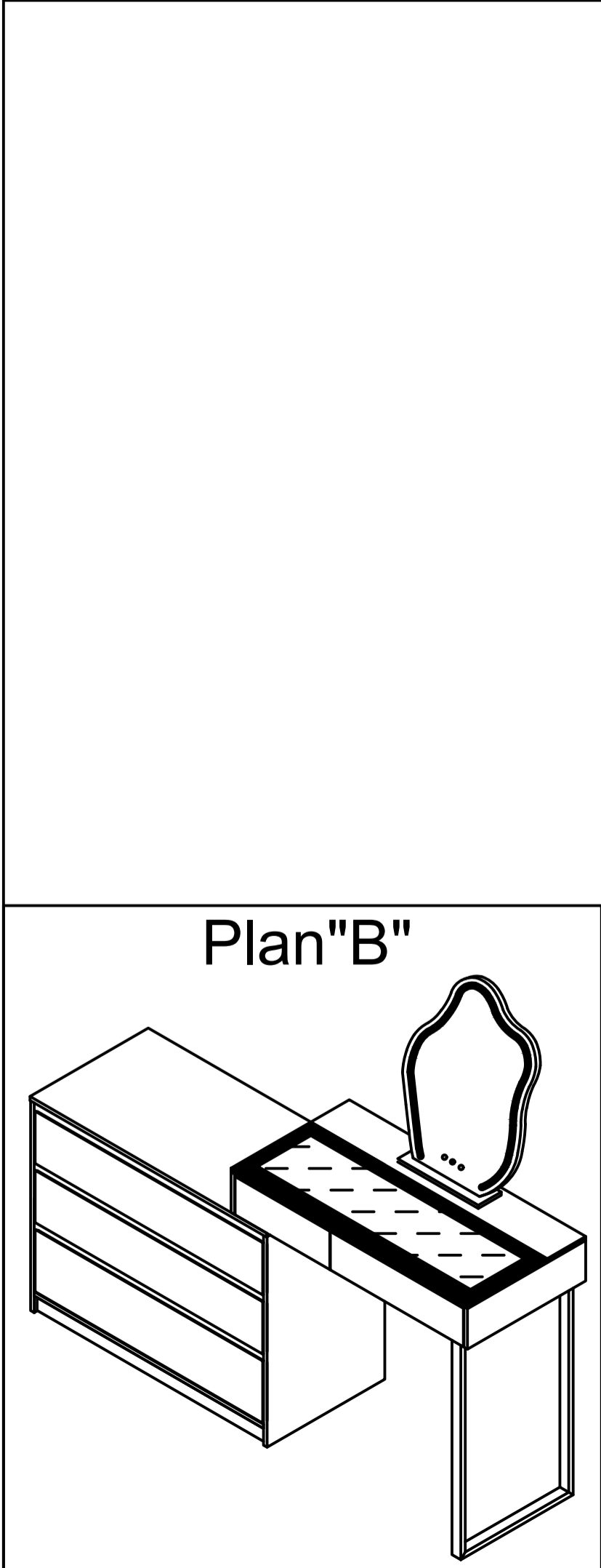
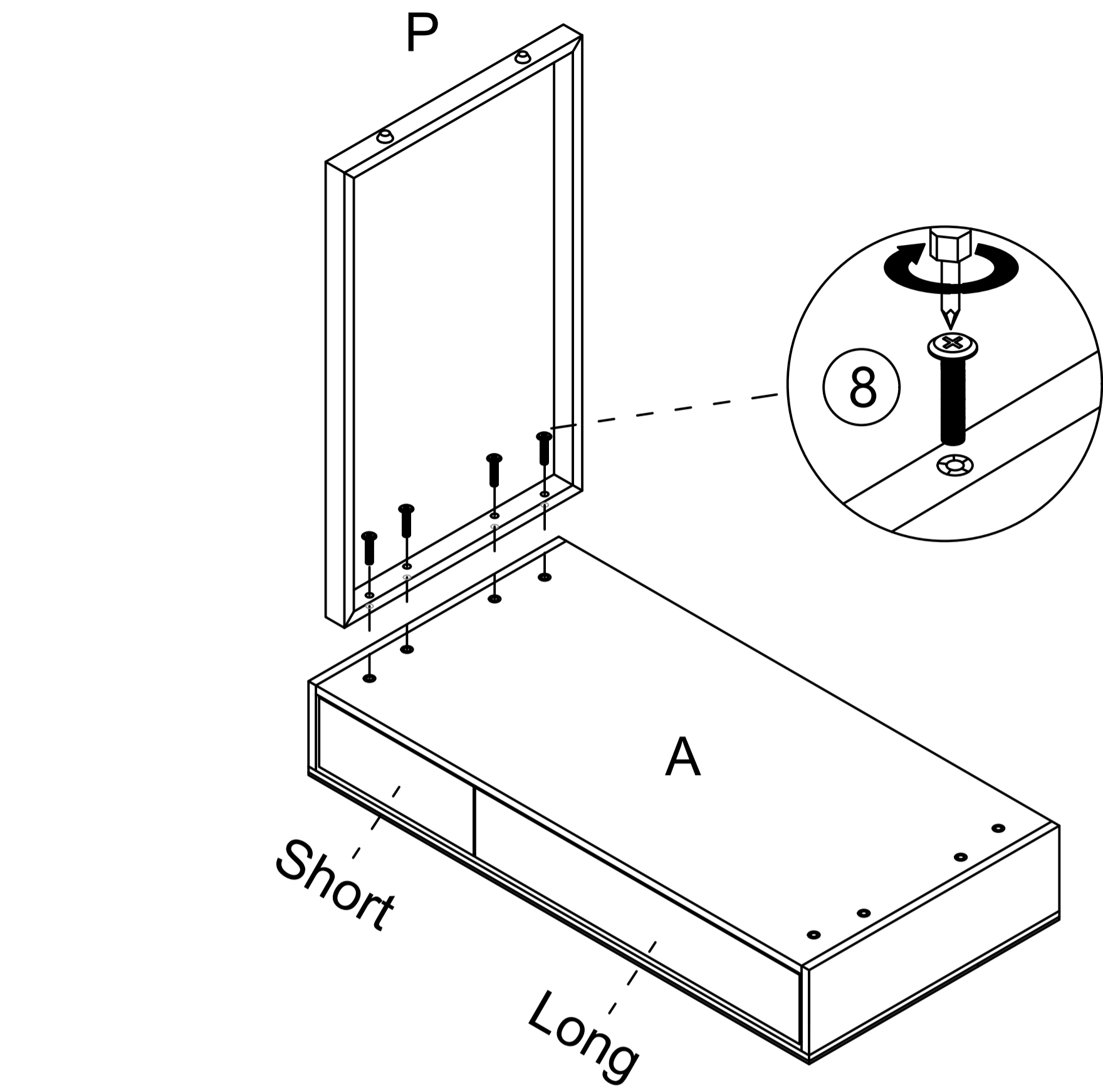
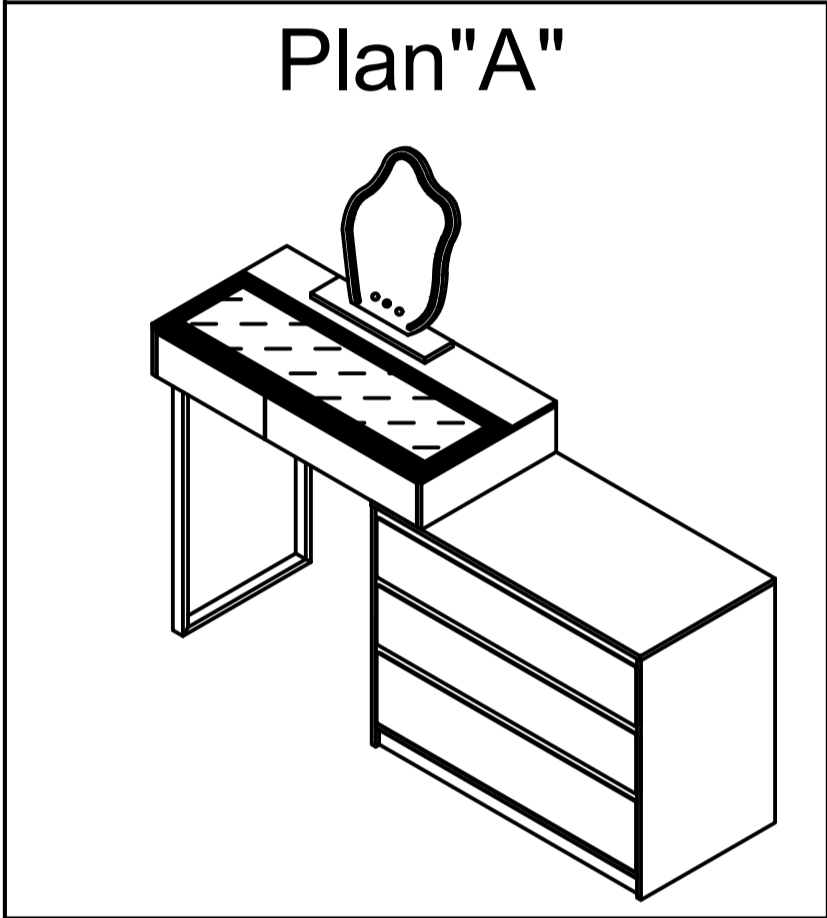
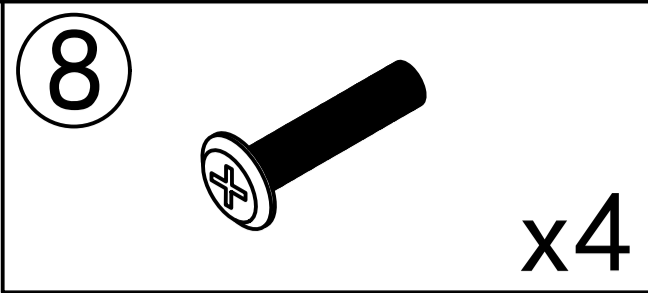


8		7pcs	9		2pcs 8pcs
10		1pcs	11		1pcs 1pcs
		1pcs			2pcs
					1pcs
					1pcs

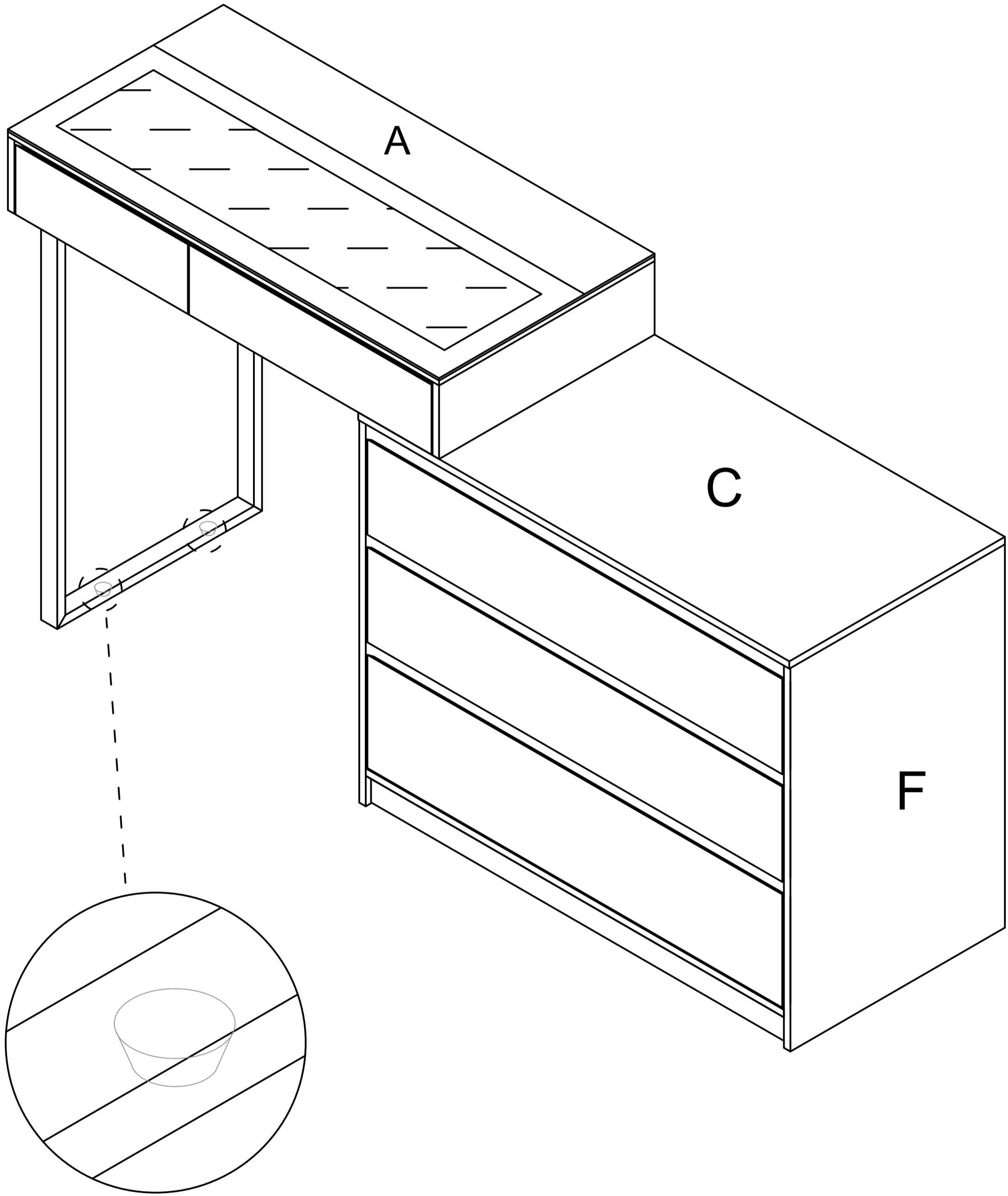


Step 33

Choose Plan "A" or Plan "B" as needed



Step 34

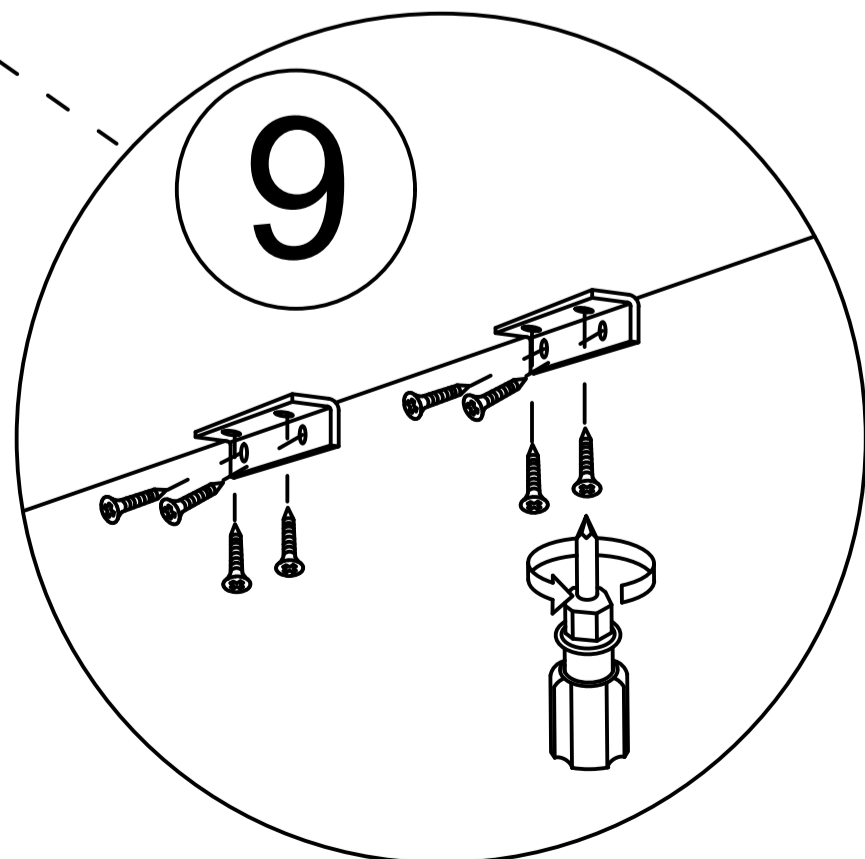
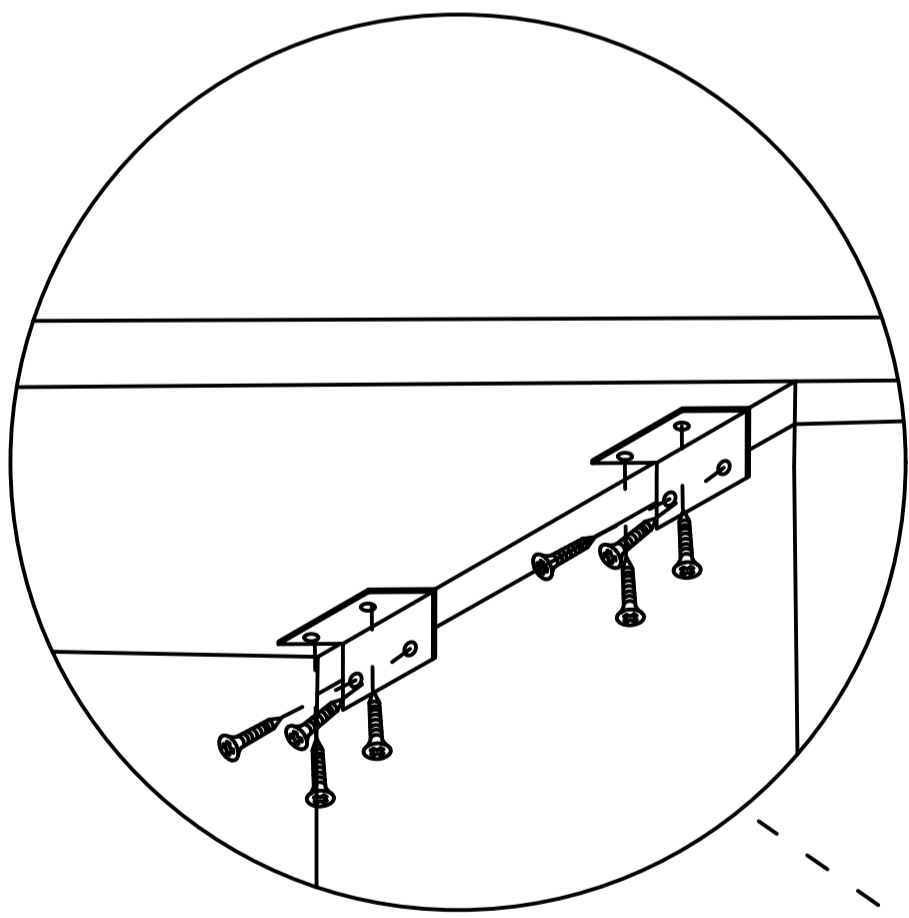
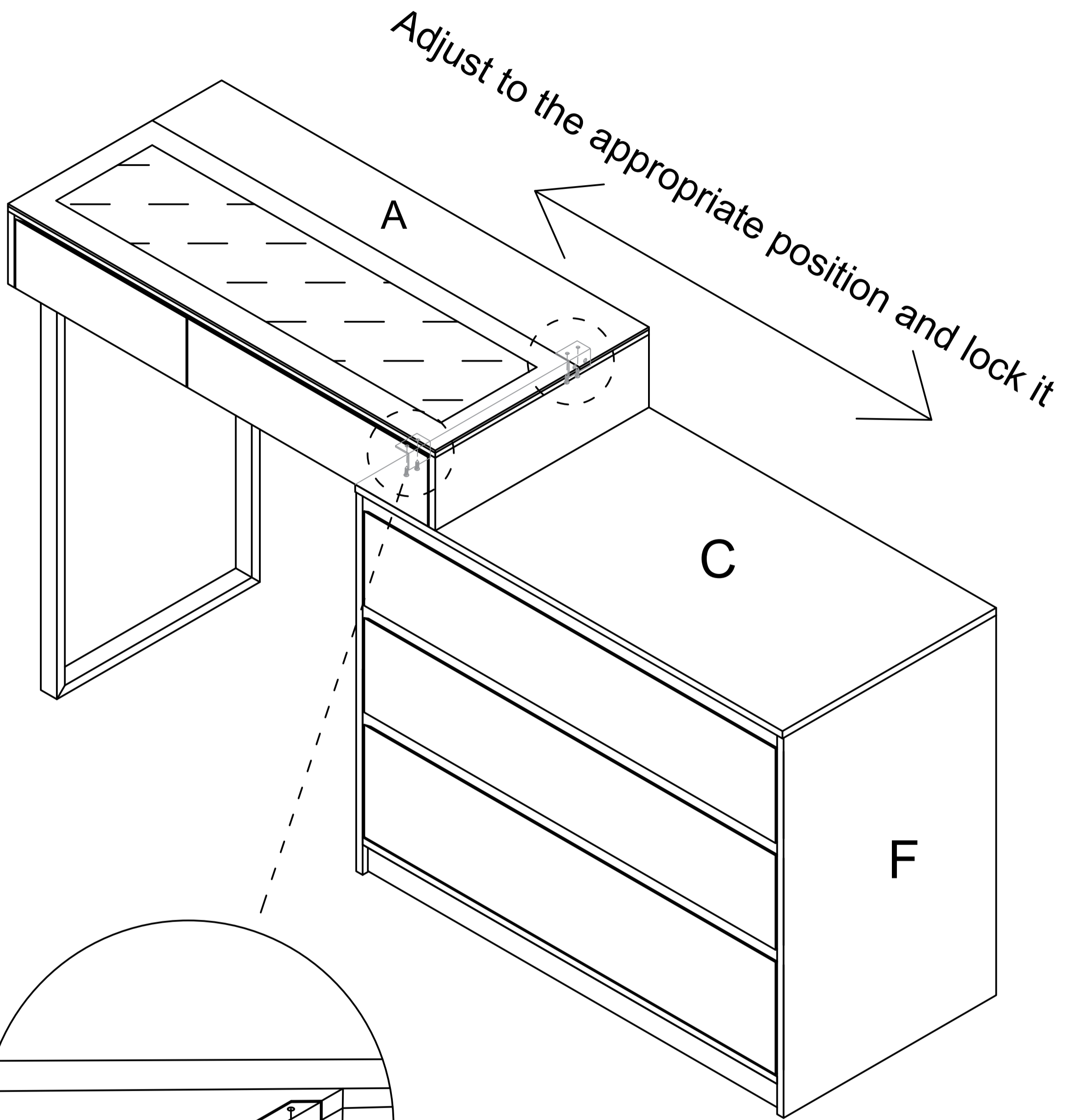


Height can be adjusted under the hardware foot to avoid imbalance

Step 35

The placement effect of Effect 1

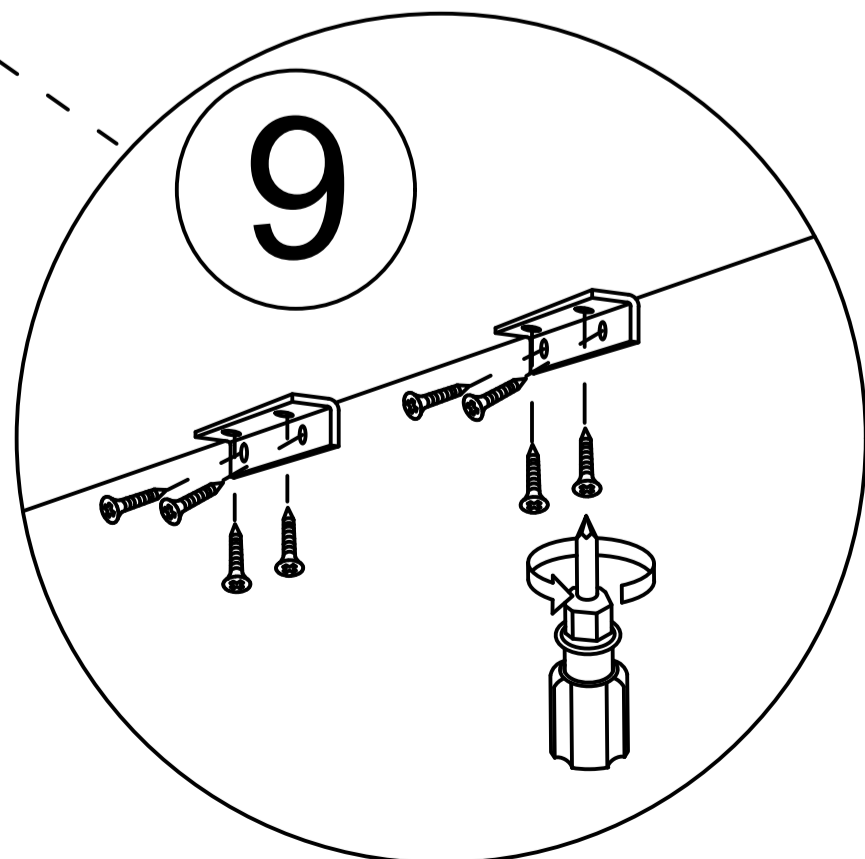
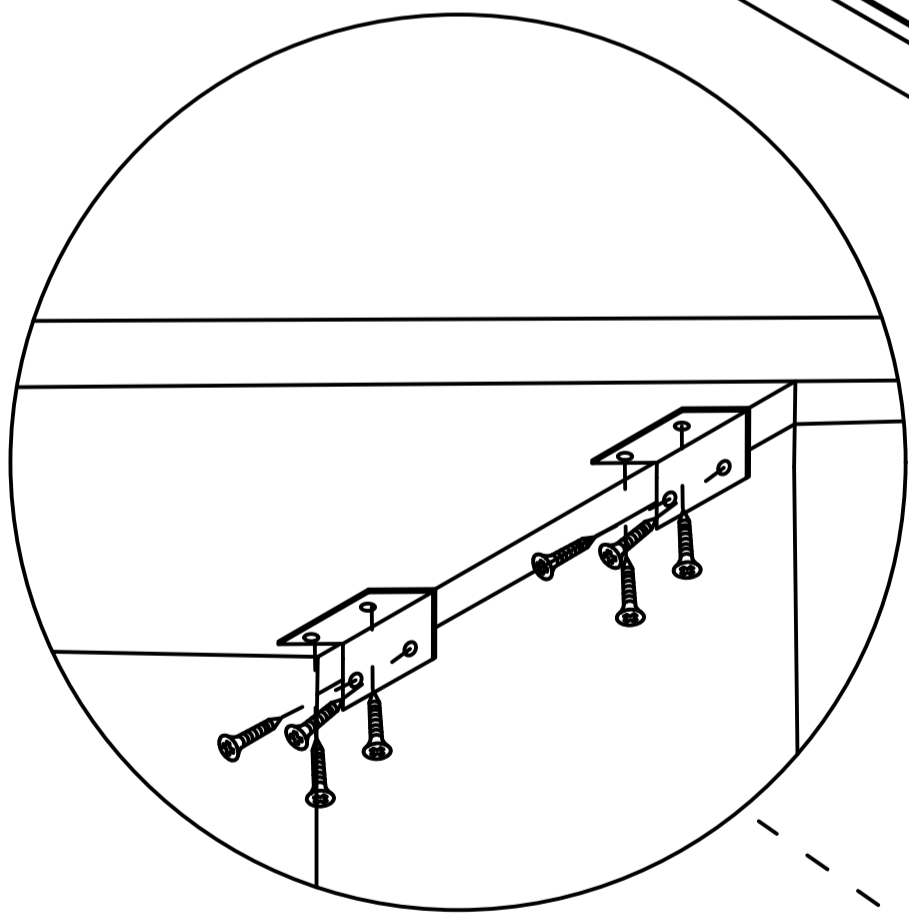
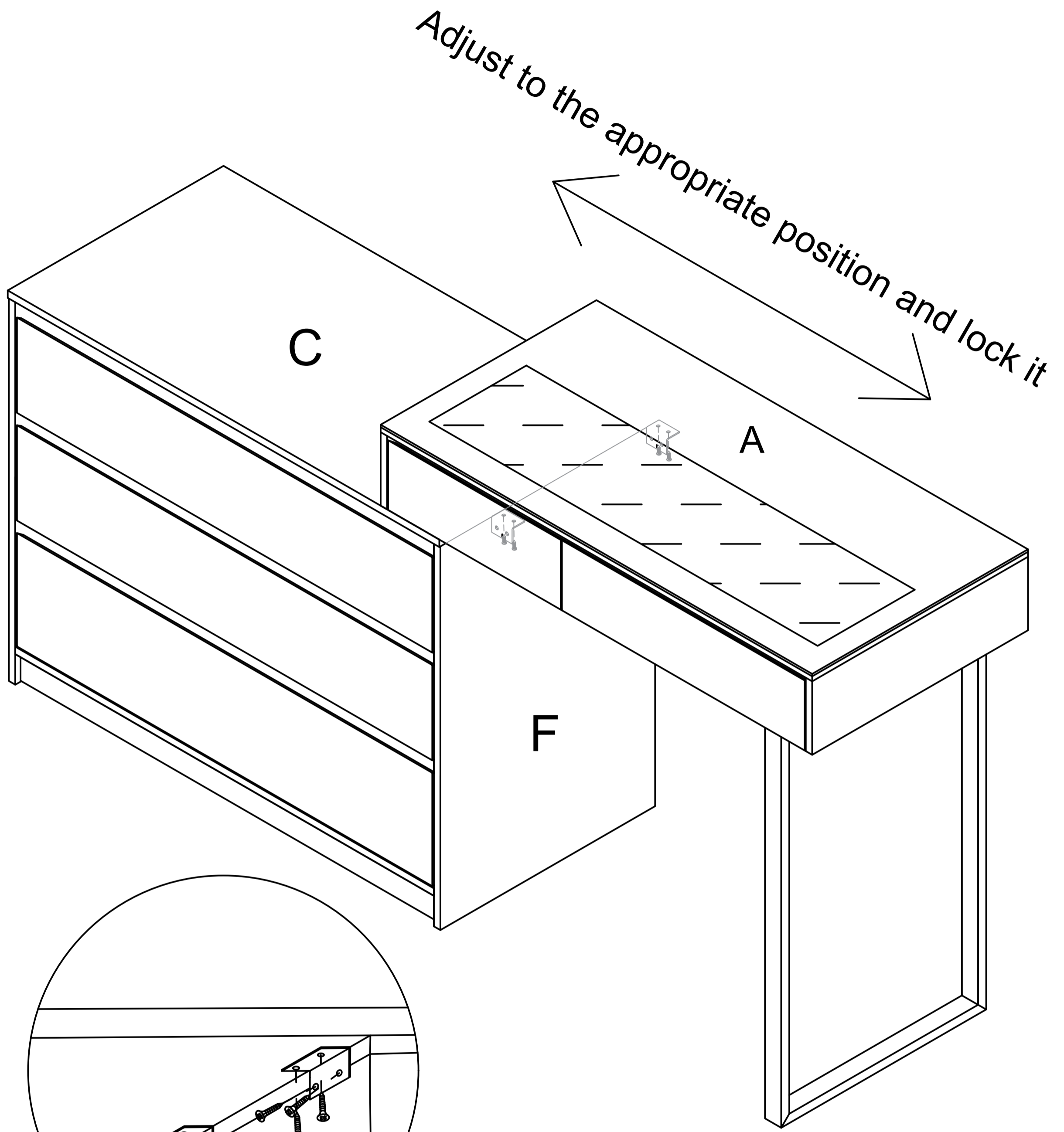
9 x2 x8



Step 36

The placement effect of Effect 2

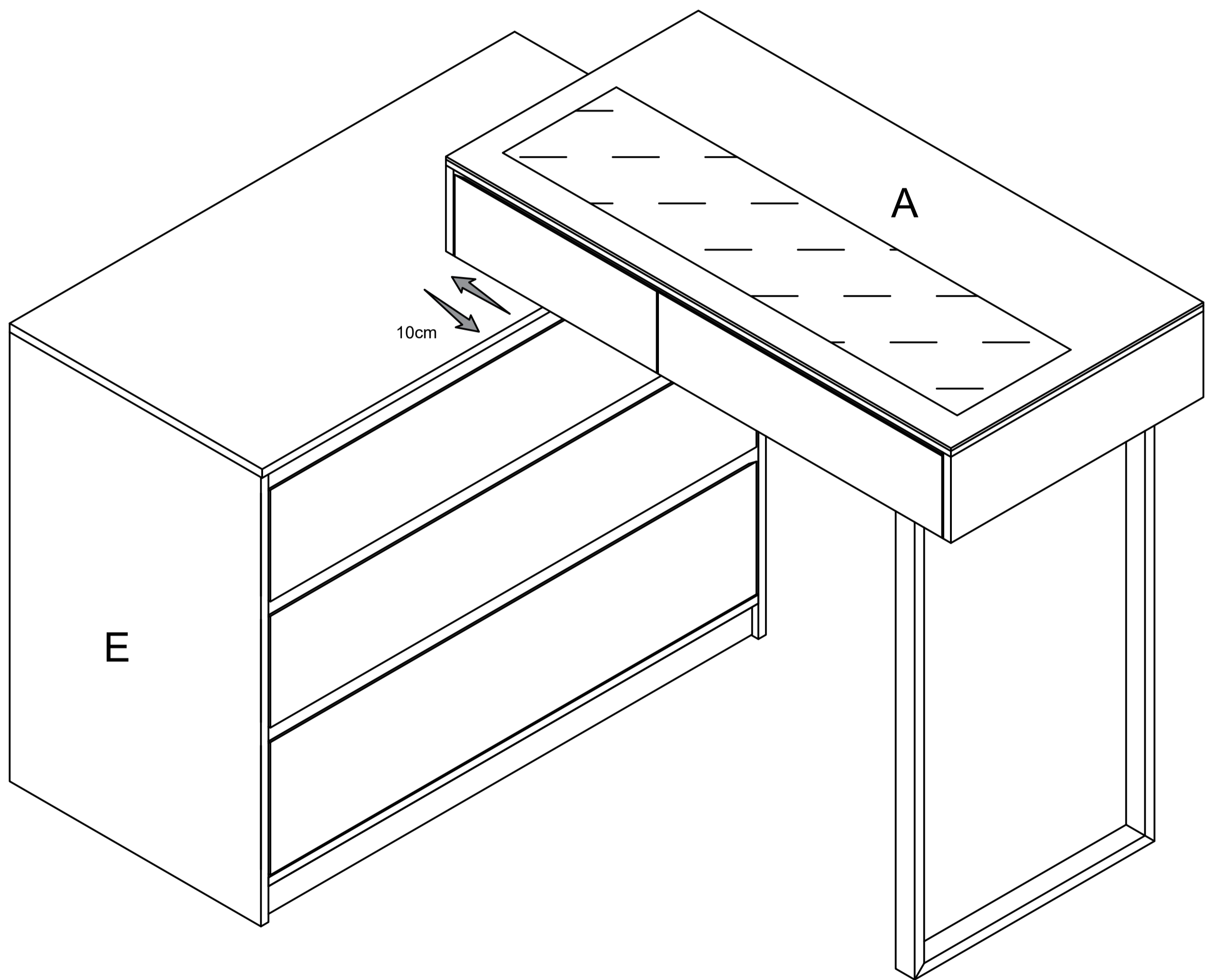
9 x2 x8



Step 37

The placement effect of Effect 3

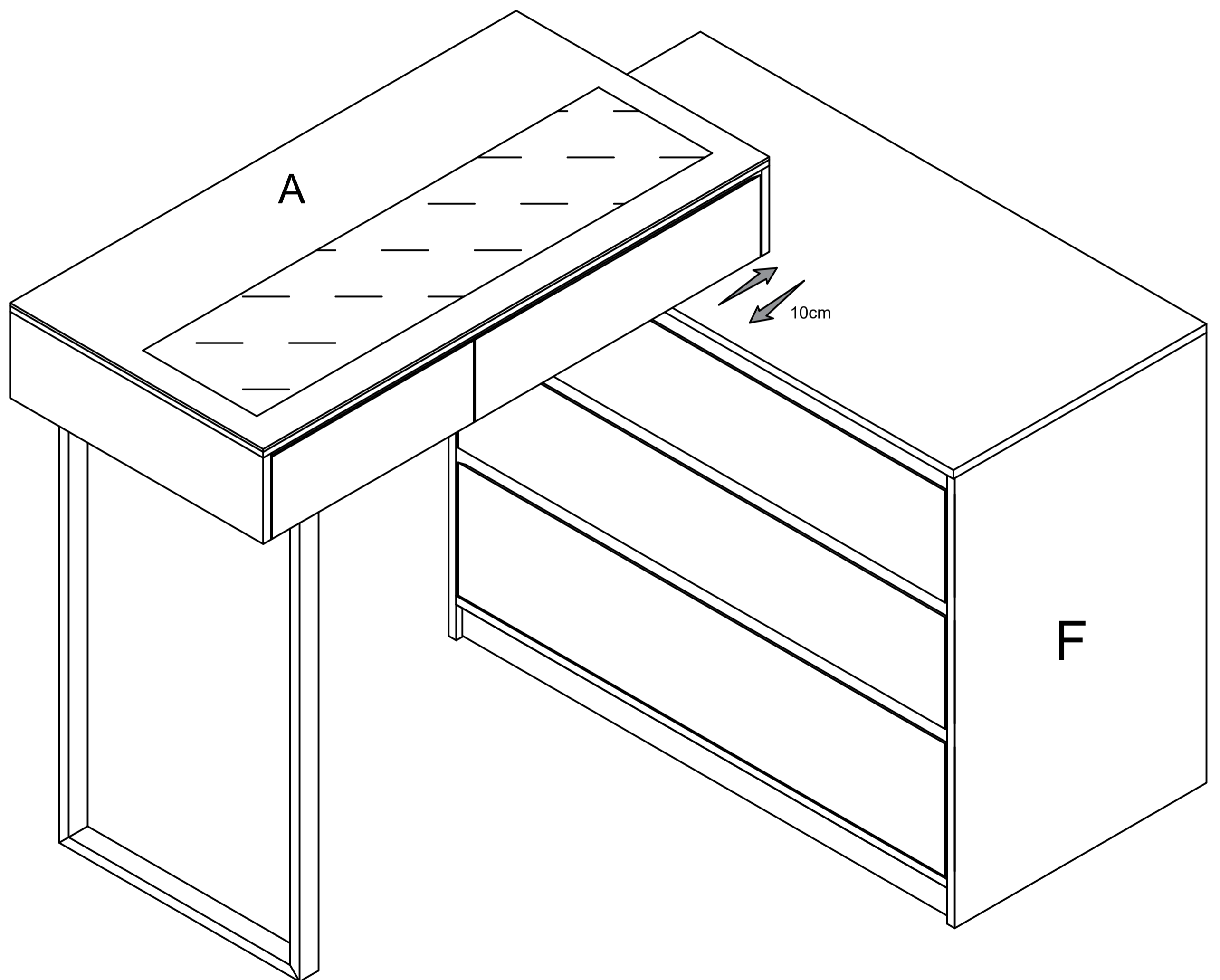
Effect 3: The minimum width here cannot be less than 10 cm



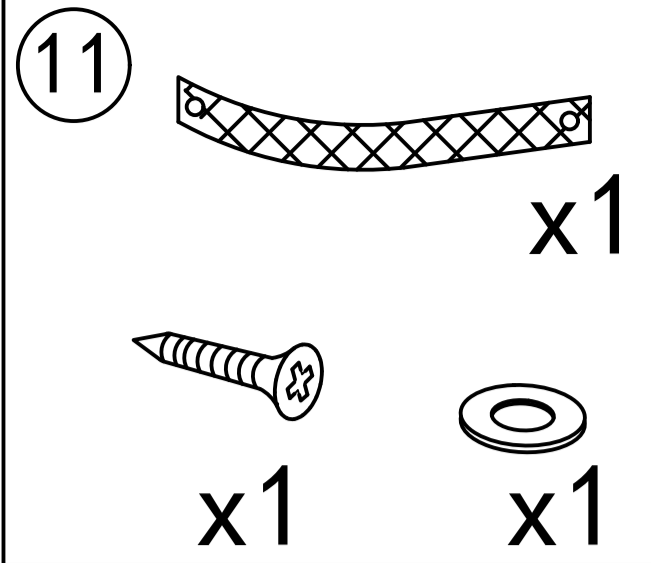
Step 38

The placement effect of Effect 4

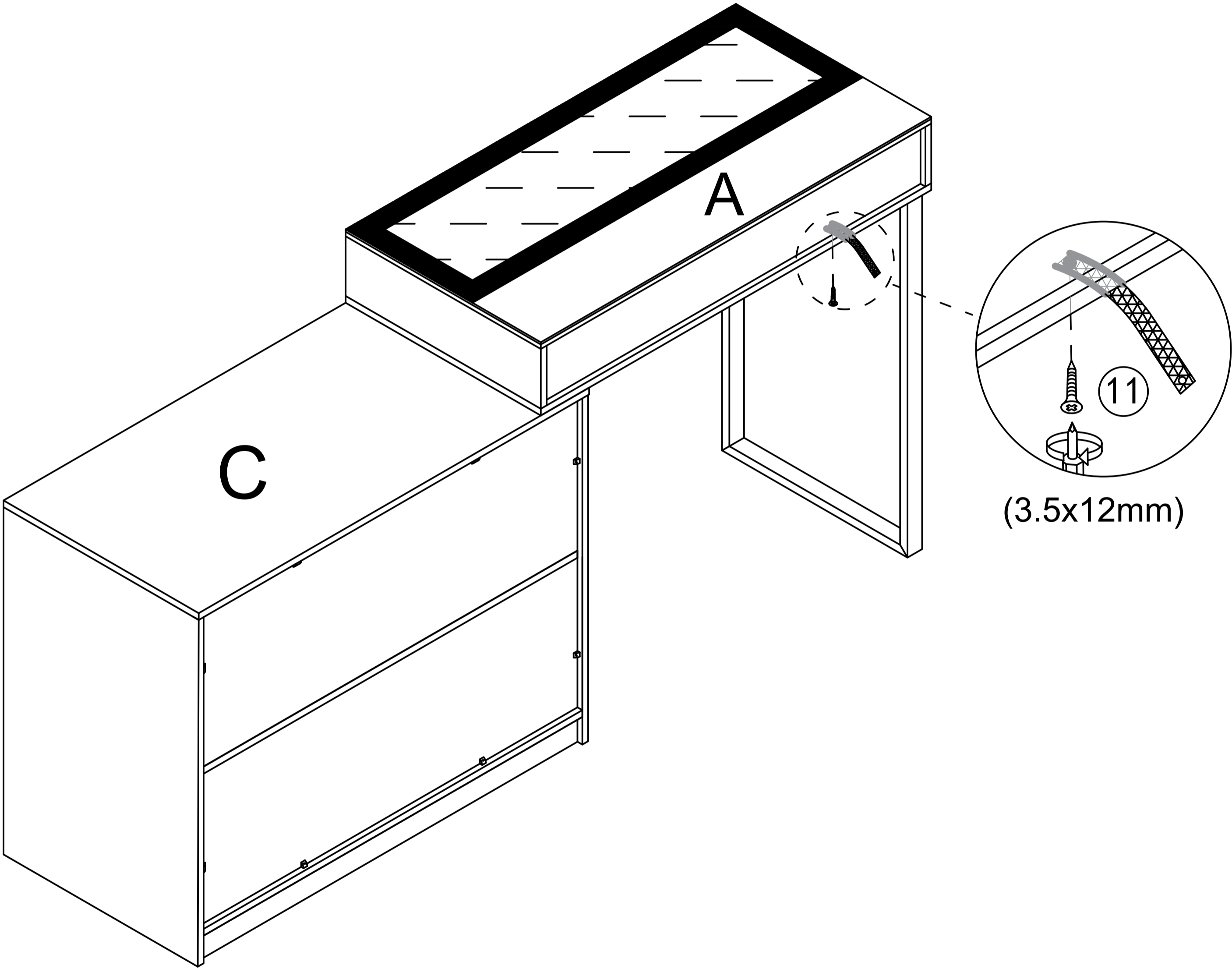
Effect 4: The minimum width here cannot be less than 10 cm



Step 39



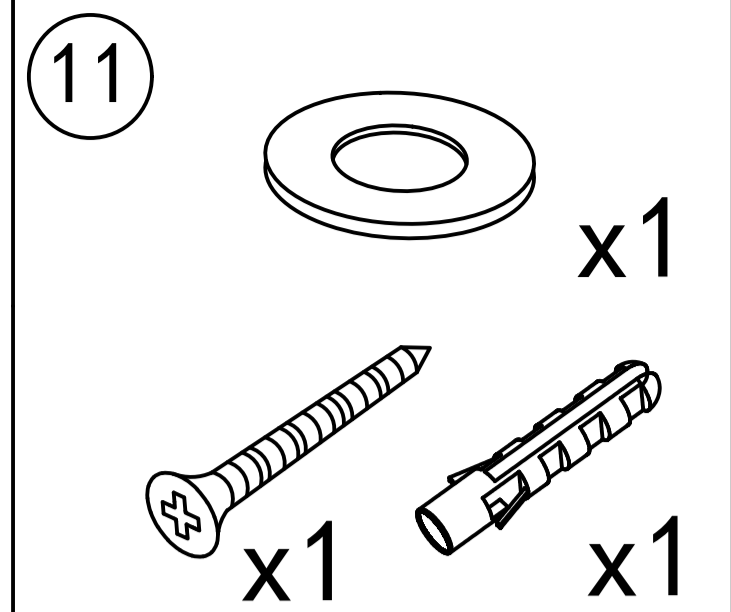
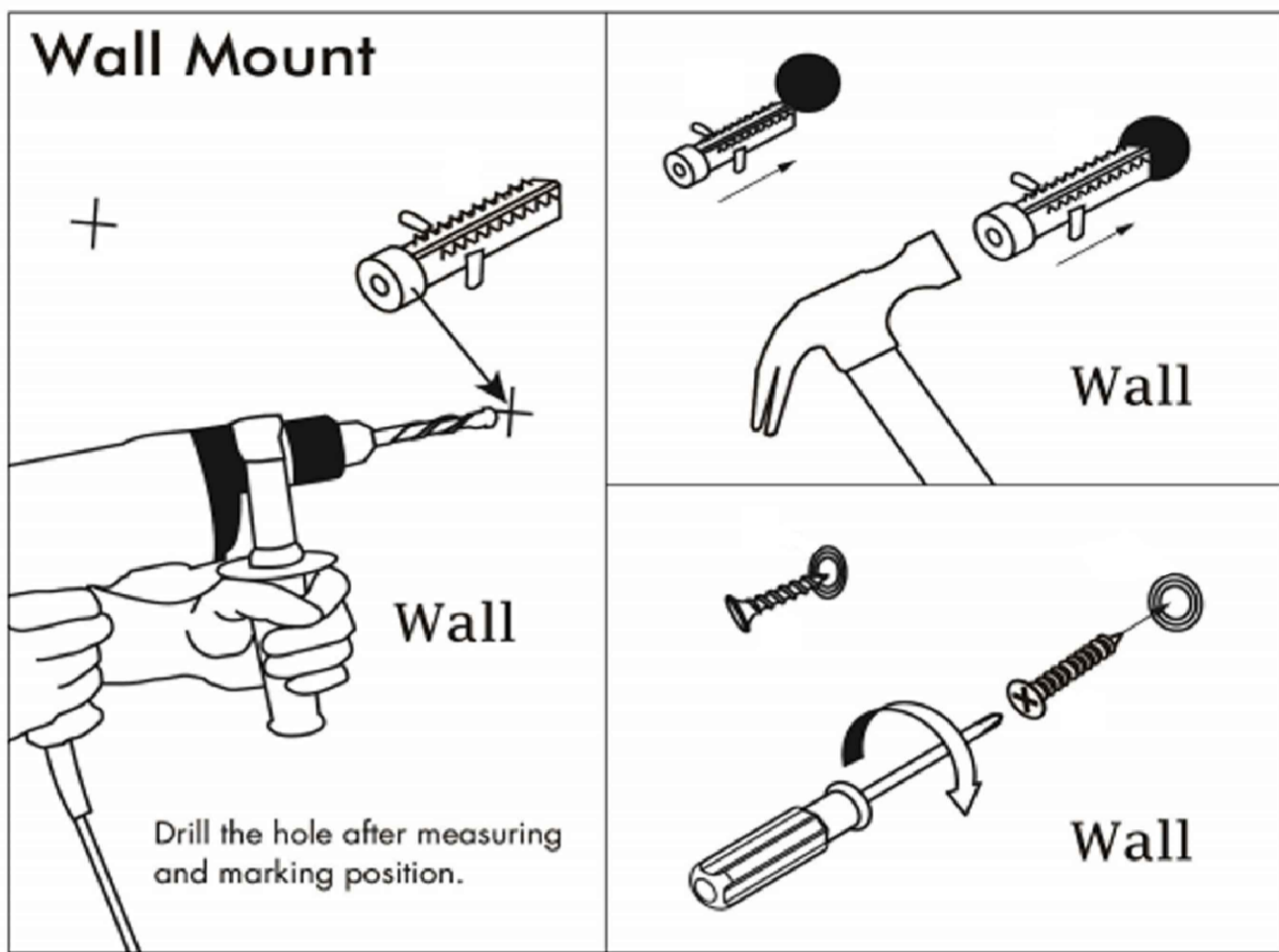
Choose installation as needed



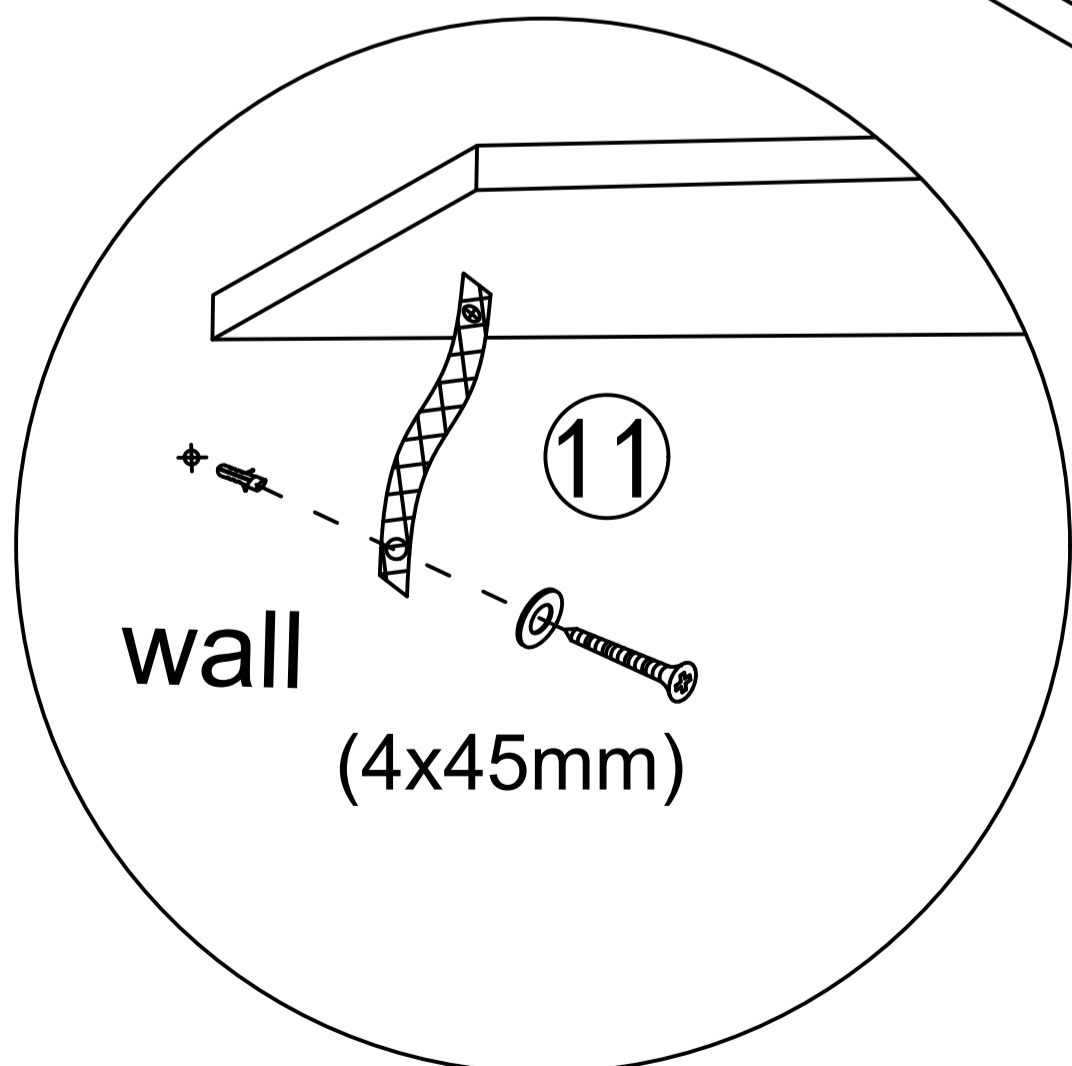
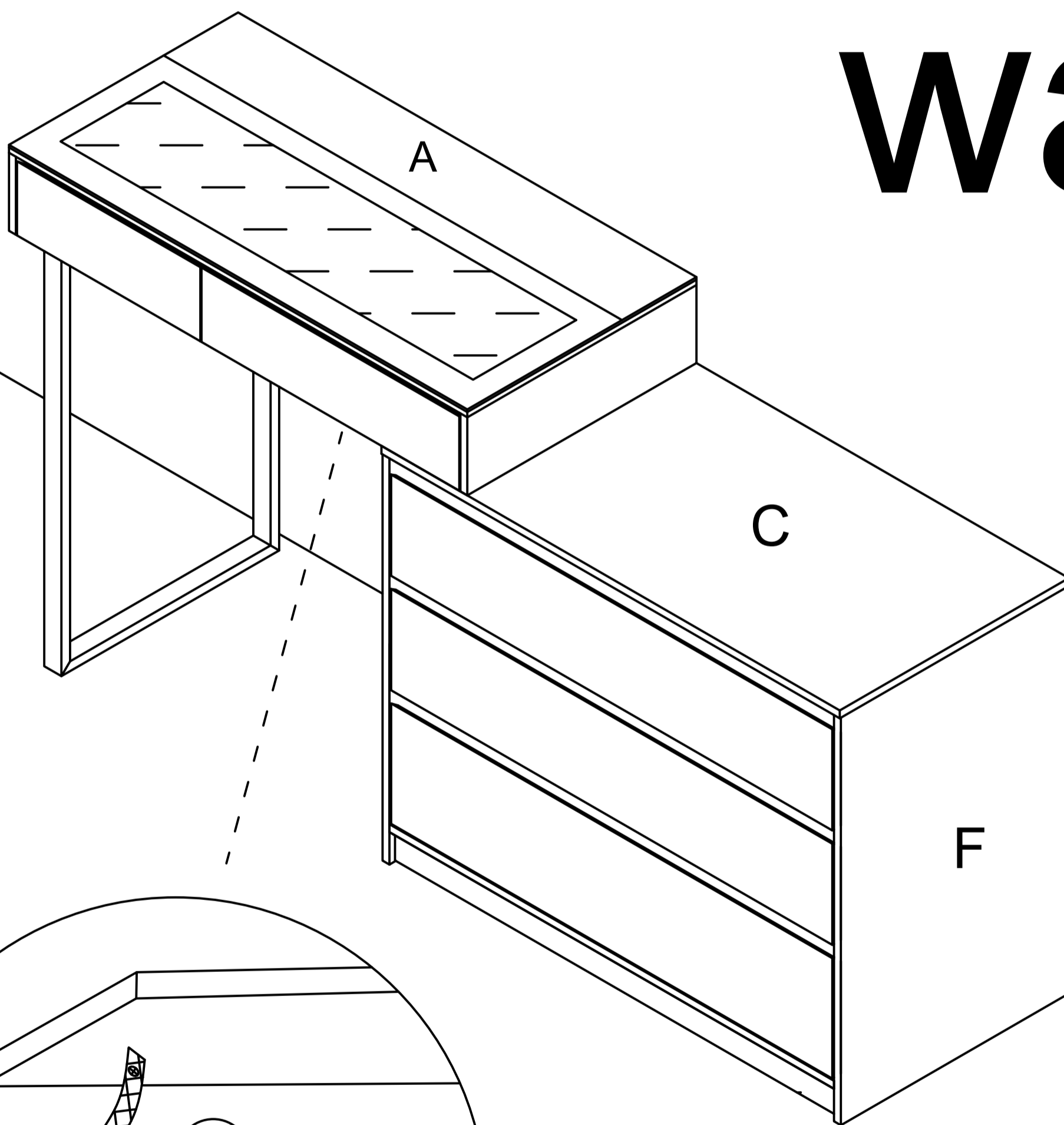
Install anti rewind tape at the edge of the board to prevent insufficient length when connecting to the wall

Step 40

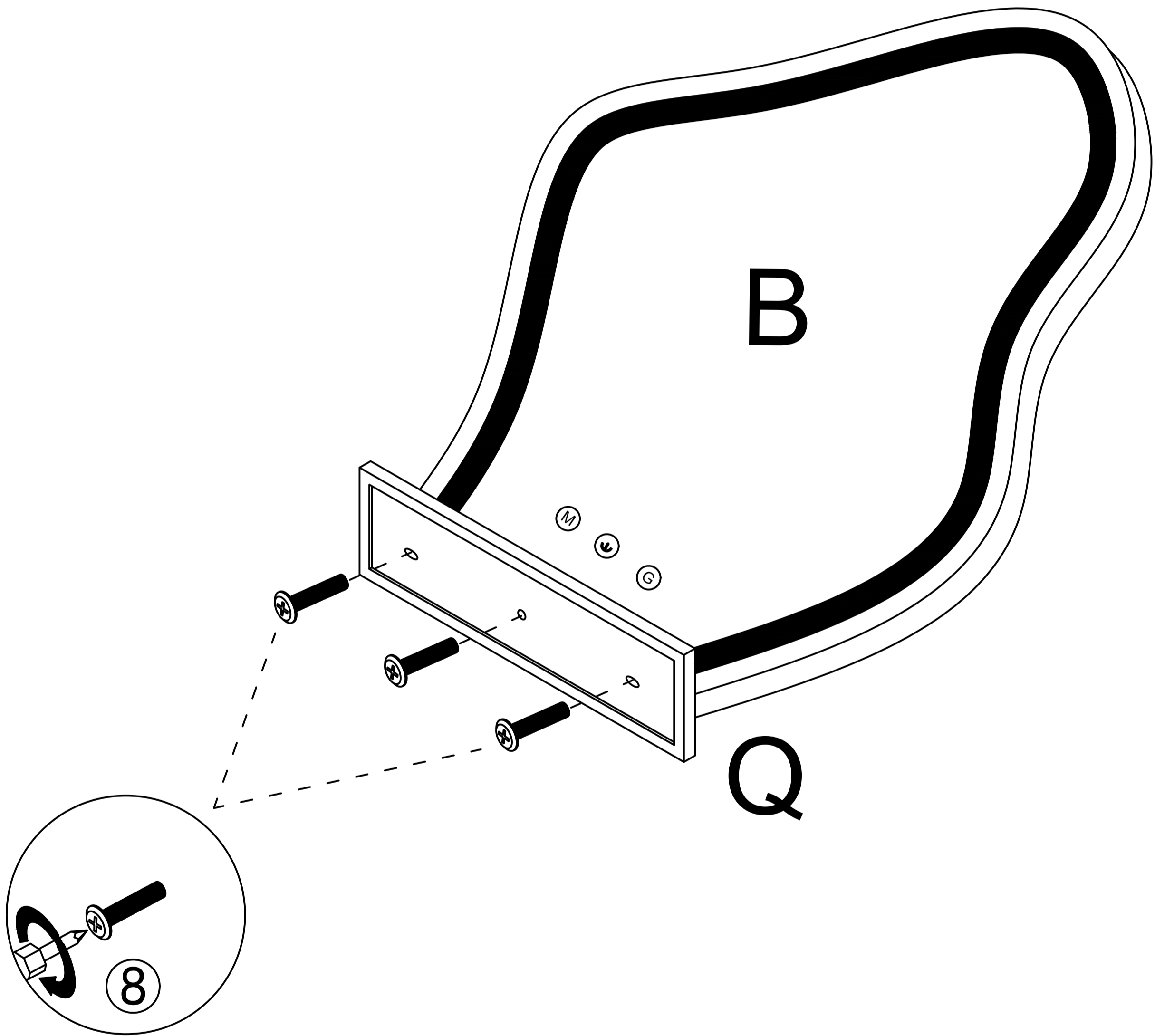
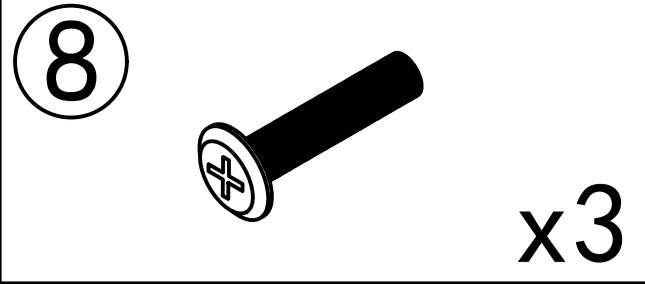
Choose installation as needed



wall

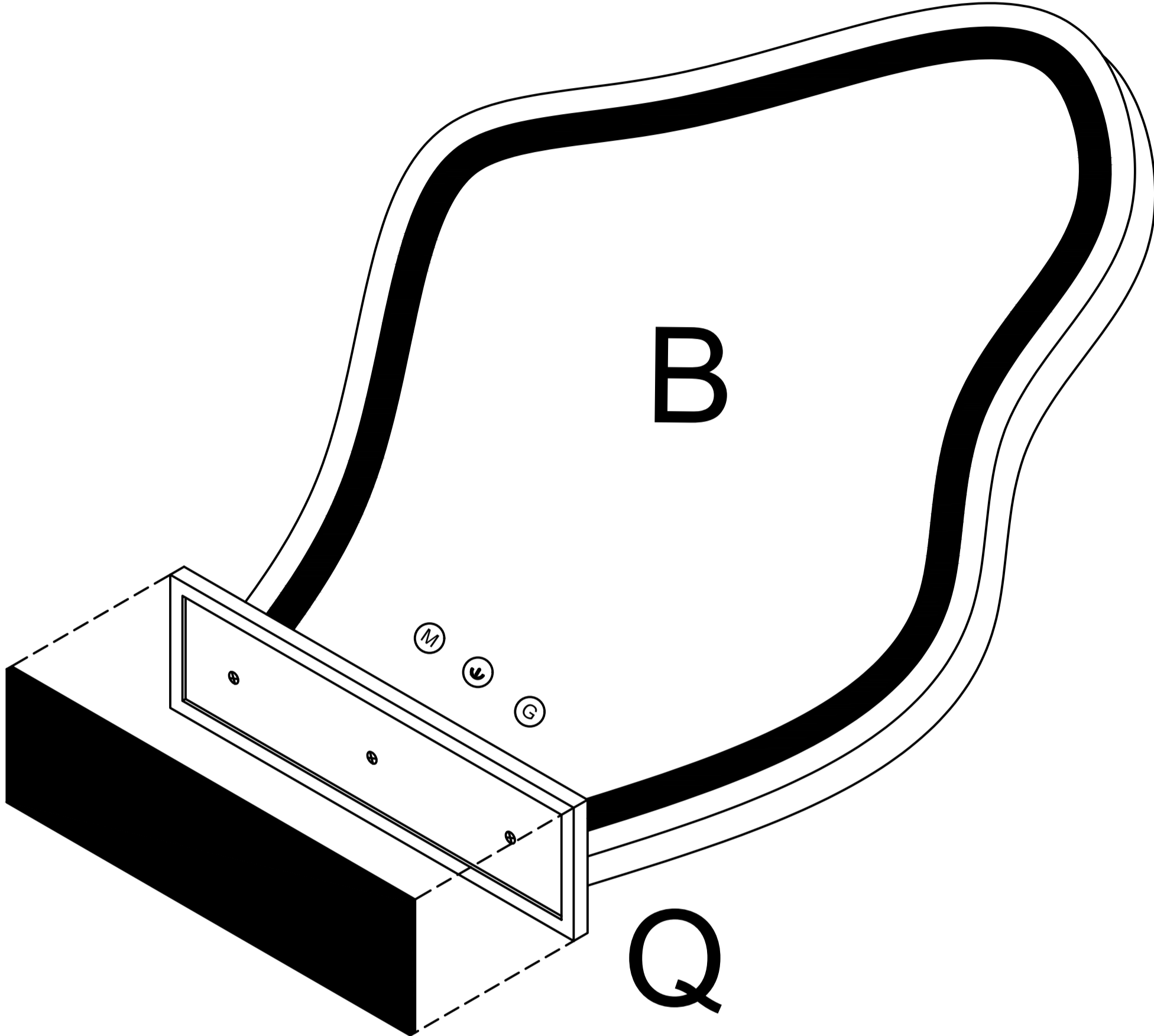


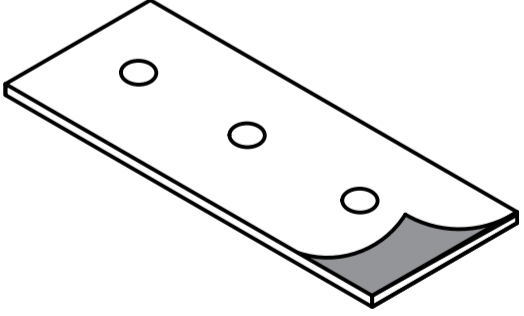
Step 41



Step 42

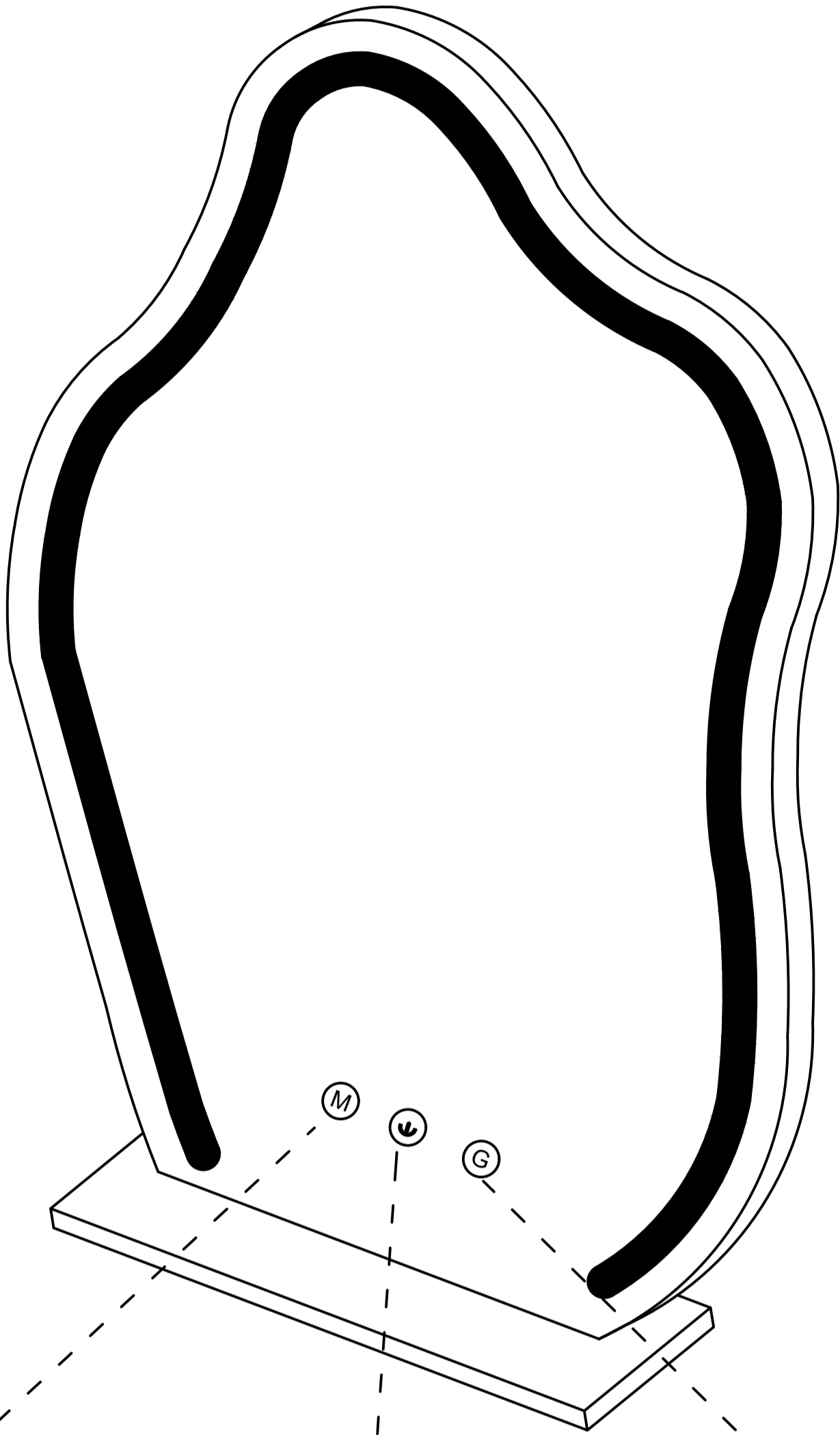
10  x1



 10

Tear off release paper and stick the black foot pad on the board

Step 43



M

Discoloration

U

ON/OFF

G

Brightness adjustment

Step 44

