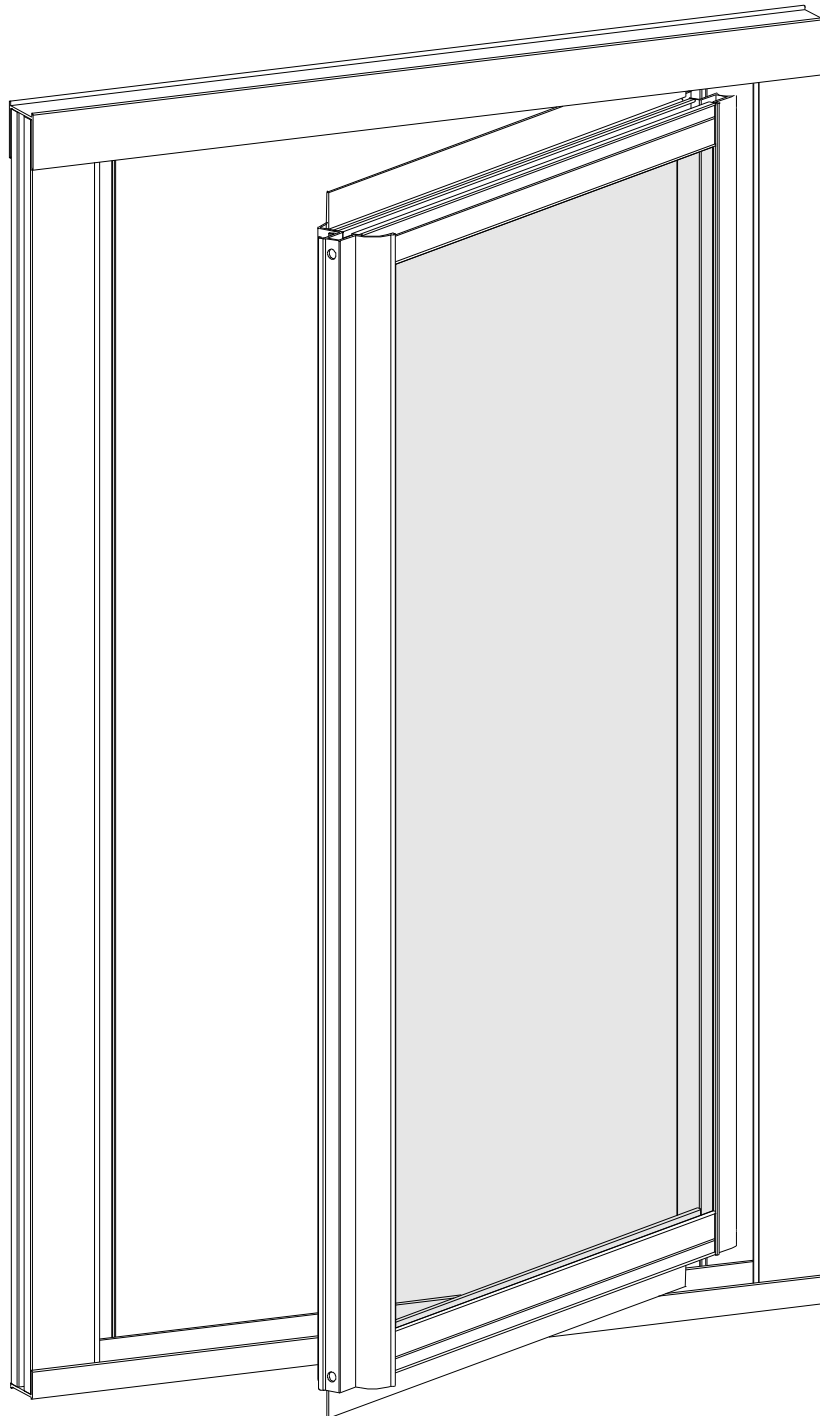


Legend

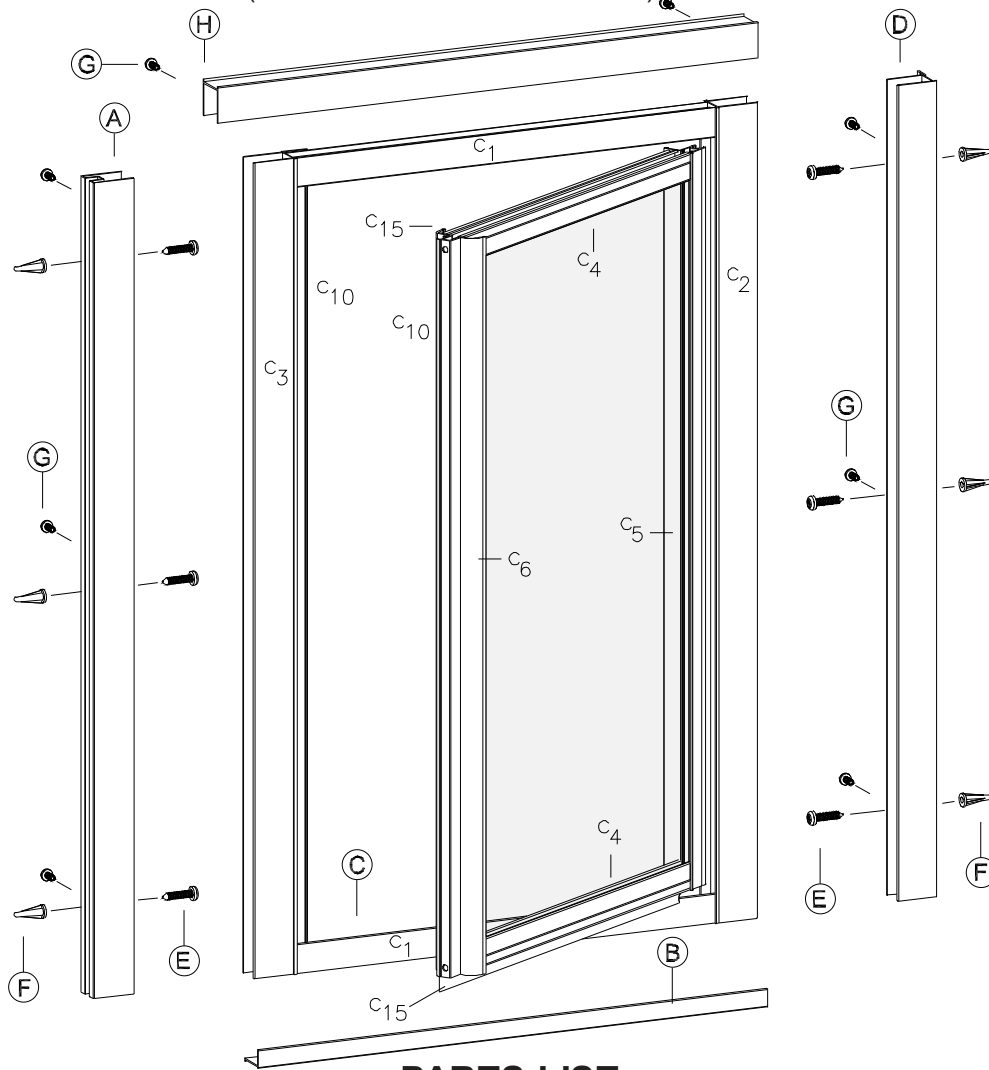
Shower enclosure
installation Instructions
(400 Series)

PATENTS PENDING



EXPLODED VIEW OF MODULAR INLINE PANEL

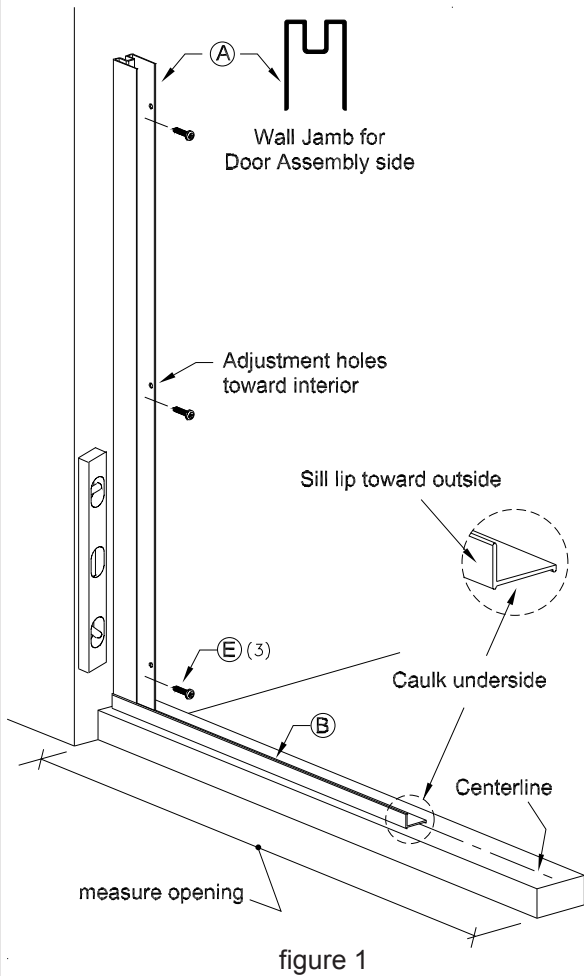
(RIGHT HAND HINGED SHOWN)



PARTS LIST

KEY LETTER	PART NUMBER	DESCRIPTION	QUANTITY
A	404	WALL JAMB (door assembly side)	1
B	448	SILL	1
C	---	DOOR FRAME ASSEMBLY	1
c1	440	Door Frame Header / Sill	2
c2	443	Door Frame Pivot Post	1
c3	442	Door Frame Strike Post (with magnet)	1
c4	227	Door Panel Rails	2
c5	154	Door Panel Hinged Stile	1
c6	226	Door Panel Strike Stile	1
c7	---	(designation not used)	---
c8	---	(designation not used)	---
c9	---	(designation not used)	---
c10	98-42	Magnetic Strips (not shown)	2
c11	5112FHSL	Door Panel Assembly Screw (not shown)	4
---	---	(designation not used)	---
c13	6112PHS	Door Frame Assembly Screw (not shown)	4
c14	C 532 B	Door Glazing Vinyl (not shown)	---
c15	C176B	VINYL SWEEP (top and bottom)	2
D	402	WALL JAMB (inline panel side)	1
E	8112	#8 x 1-1/2" PAN HEAD PHILLIPS SCREW	6
F	1329	PLASTIC SCREW ANCHOR	6
G	812QPT	#8 x 1/2" SELF DRILLING QUAD SCREW	8
H	447	HEADER	1

STEP 1
Position Door Assembly Side Wall Jamb



Determine and mark the curb centerline as shown in figure 1.

Measure opening width and trim Sill to 1/16" less than measurement obtained. Caulk underside of Sill (B) and position it on the center line. Insure that Sill lip faces toward outside of enclosure.

Position Wall Jamb (A) up against the shower wall and on top of Threshold (B) as shown in figure 1. Adjustment holes should be facing toward interior as shown.

Level and plumb Wall Jamb.

Using the Wall Jamb's installation holes as guides, drill three (3) 1" deep installation holes on the wall.

Use a 3/16" masonry bit when drilling through ceramic tile, marble or any masonry type surface. Insert Plastic Screw Anchors (F). Otherwise use a regular 1/8" drill bit and discard Plastic Anchors.

Secure Wall Jamb with three (3) #8 x 1-1/2" pan head screws (E).

STEP 2
Position

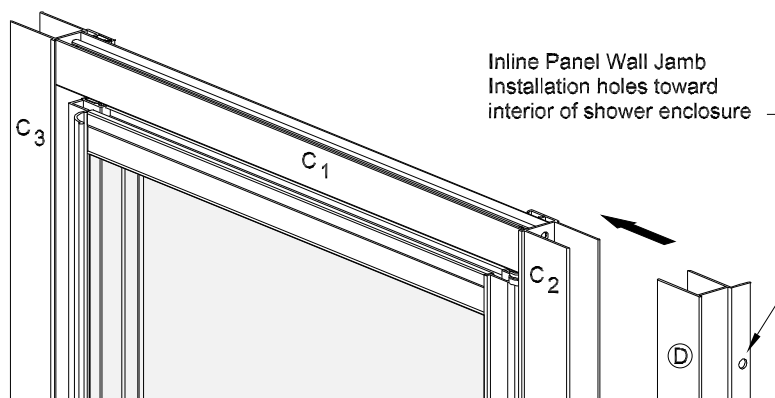


figure 2

Insert Wall Jamb (D) onto Door Panel's Expander Jamb (C2) as shown. Bury the Wall Jamb (D) onto the Door Panel as far as it will go.

STEP 3
Install Door Assembly

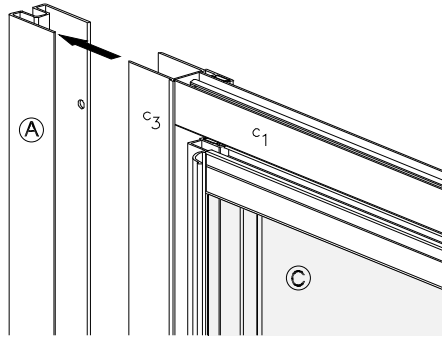


figure 3
Detail shows strike on left side / hinge post right side,
see also exploded view on sheet 2

Lift Door Assembly (C) onto base and position it on top of Sill (B) see exploded view on sheet 2. Now slide Door Frame (C) into Wall Jamb (A) as shown in figure above.

Once Door Assembly is positioned, double check to make sure that door swings out.

Centere and square shower assembly on the base curb.

Leave door assembly standing as is temporarily and do not fasten at this time.

STEP 4
Adjust and Secure Unit

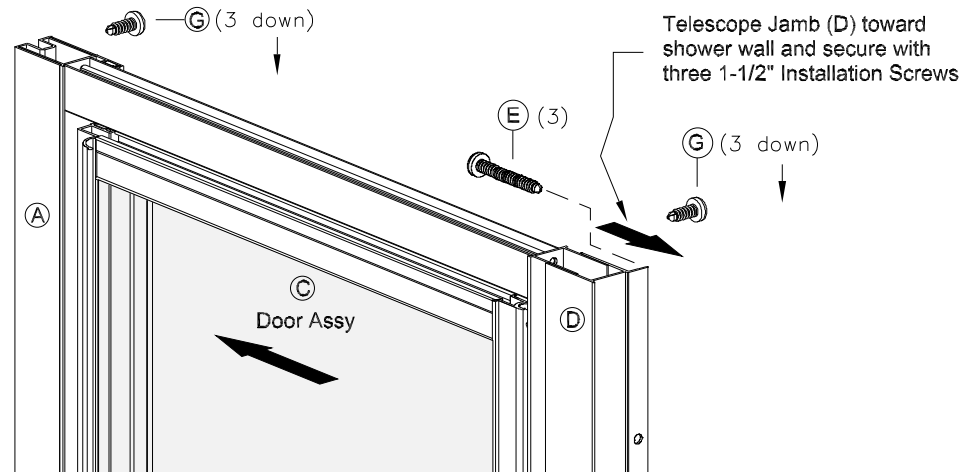


figure 4

Door Frame Assembly (C) should be pushed up against Wall Jamb (A).

Step inside shower enclosure and push Wall Jamb (D) up against the its respective shower wall as shown. Secure Wall Jamb (D) with three Installation Screws (E).

Adjust Door Assembly as required within the Wall Jambs and then secure Door Assembly to Wall Jambs (A) and (D) using three (3) Adjustment Screws (G) per Jamb.

TO ENSURE A LEAK PROOF INSTALLATION:

Run a bead of clear mildew resistant caulking **around the outside** of shower enclosure where shower unit meets the shower base and where Wall Jambs meet the wall. Follow caulking manufacturer's instructions before using shower.

STEP 5

Install Header and Caulk outside of Unit

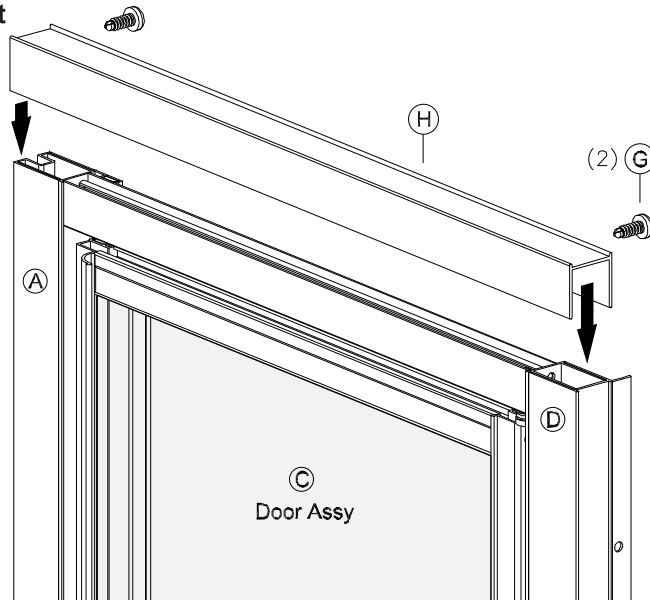


figure 5

Measure opening width at top of unit and trim Header (H) to 1/16 less than measurement obtained. Position Header (H) into place as shown in figure and secure to unit utilizing three (2) self drilling screws (G).

TO ENSURE A LEAK PROOF INSTALLATION:

Run a bead of clear mildew resistant caulking **around the outside** of shower enclosure where shower unit meets the shower base and where Wall Jamb meets the wall. Follow caulking manufacturer's instructions before using shower.