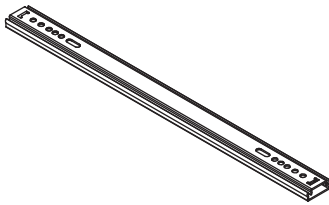
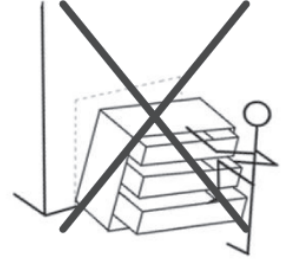
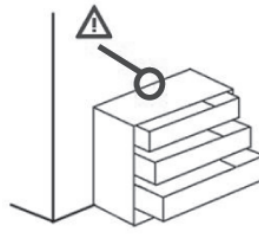
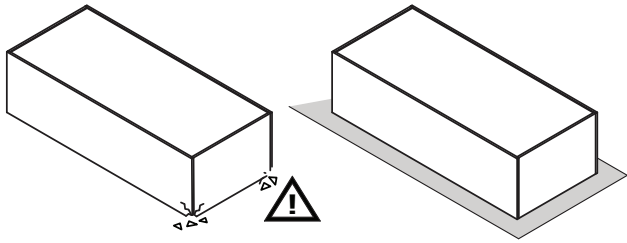
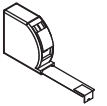
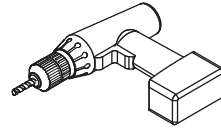
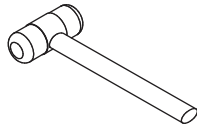
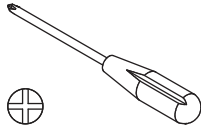
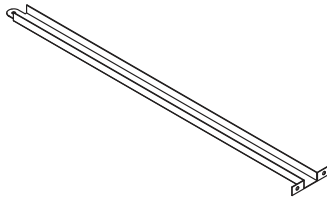




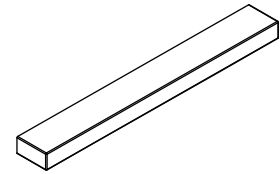
1,5h



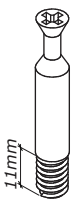
A34
x10



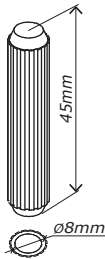
W398
x5



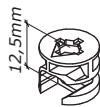
M203
x5



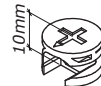
T28
x14



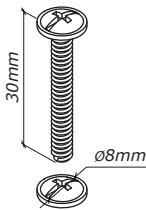
H325
x8



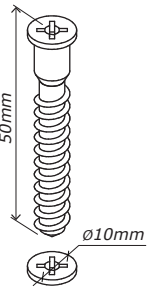
T7
x4



T98
x10



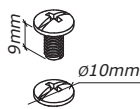
V35
x10



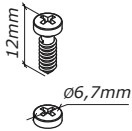
V45
x4



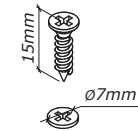
H54
x20



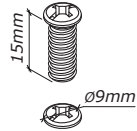
V38
x10



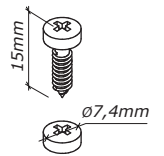
V98
x15



V5
x50



V138
x4



V81
x14



H129
x2



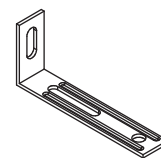
H302
x4



G136
x10

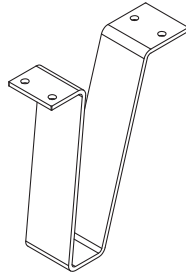


H2
x30

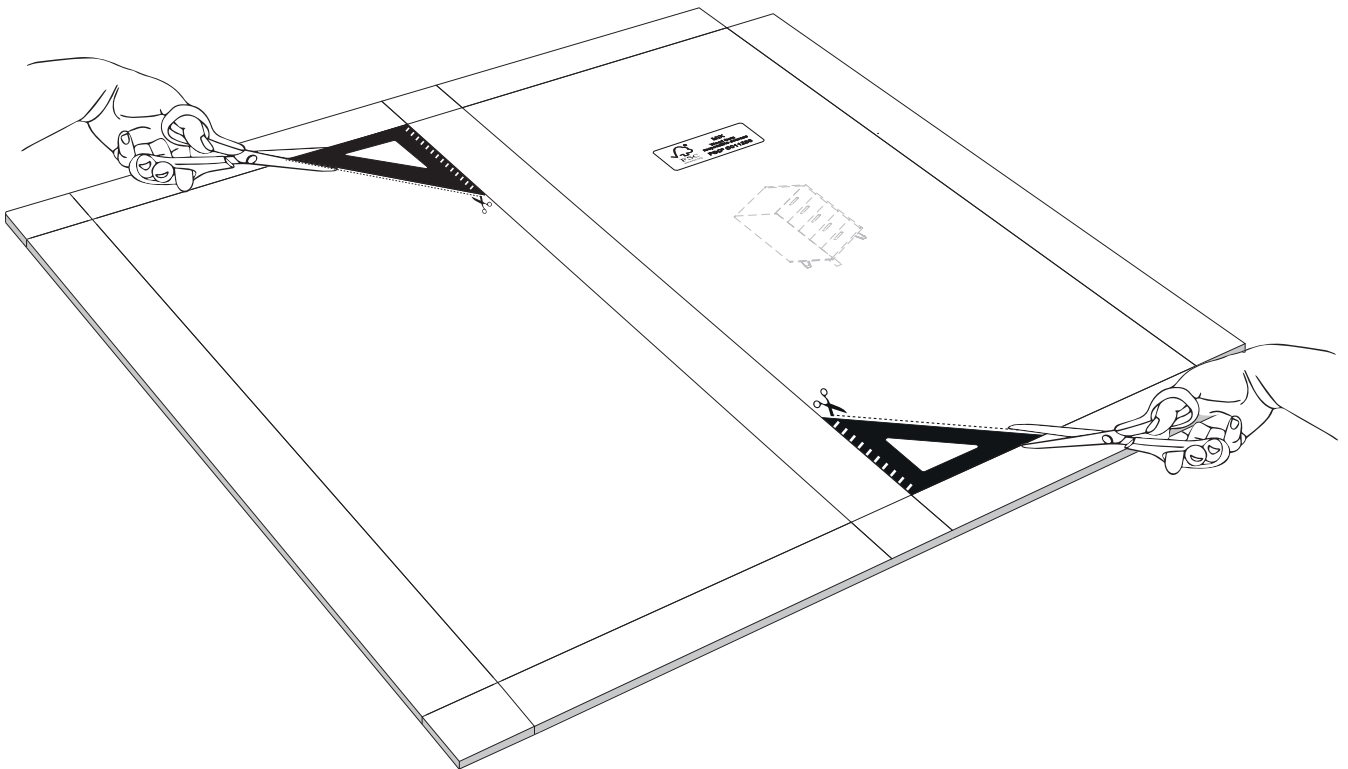


H185
x1

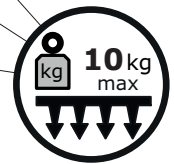
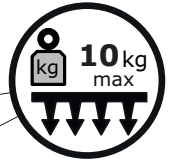
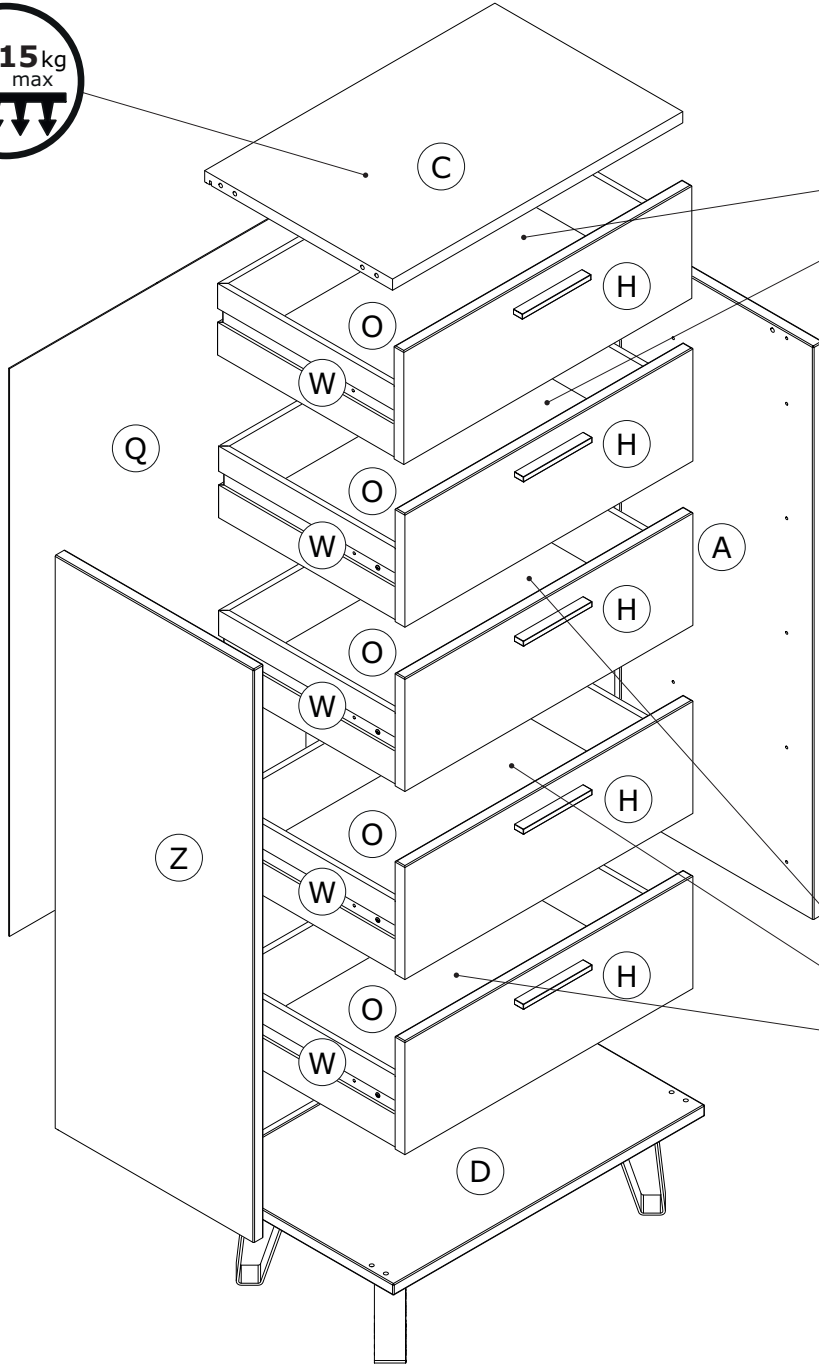
x2

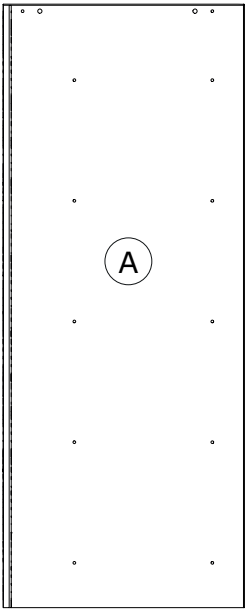


P78
x2

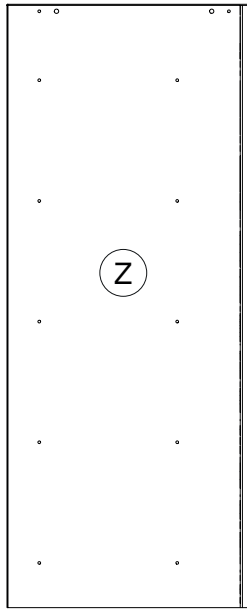


5 6

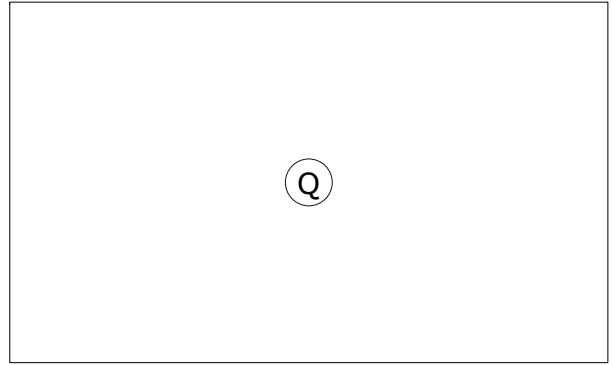




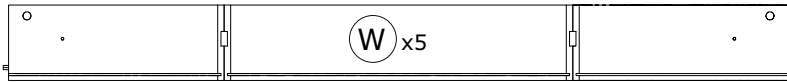
FI9009
1120x448x22mm



FI9010
1120x448x22mm

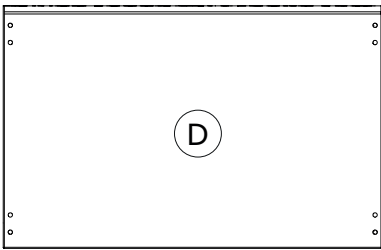


SH3536
1110x669x2mm

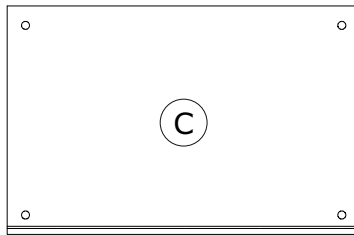


OF0625
400x647x400mm H.140mm

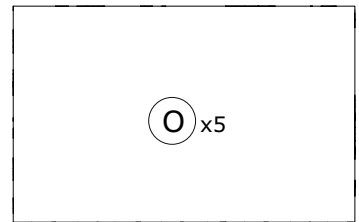
BOX 1/2



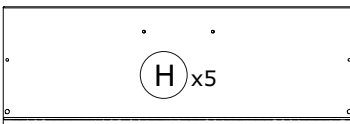
BA2288
703x450x22mm



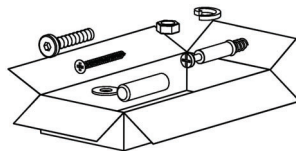
CA3752
655x424x22mm



SH3537
634x401x2mm

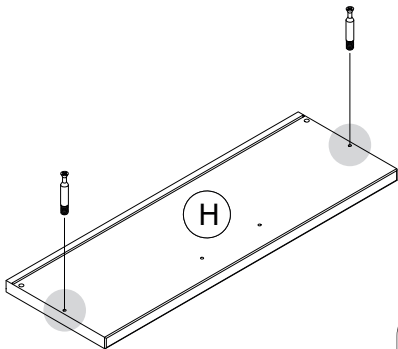
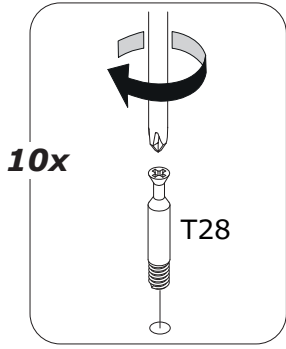
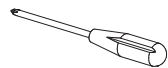


CS3781
650x221x22

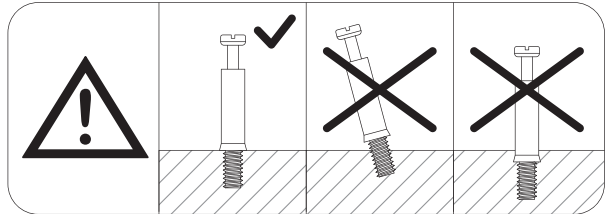


BOX 2/2

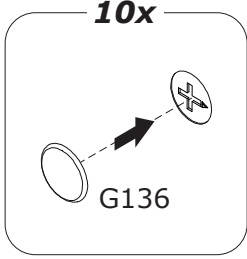
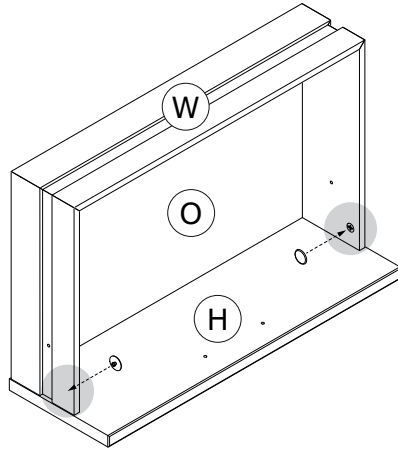
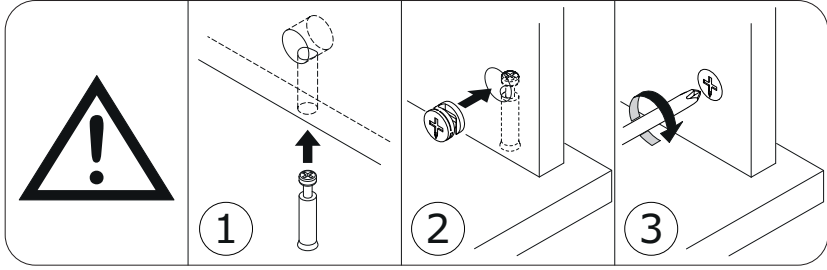
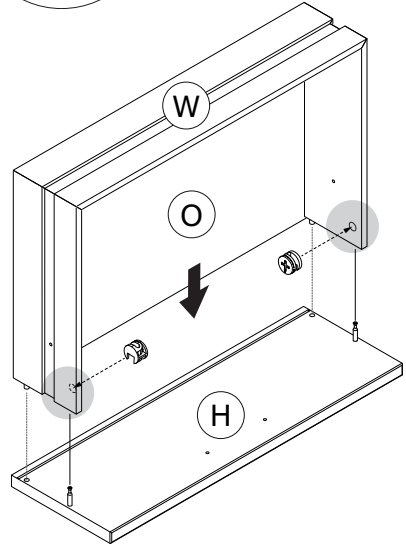
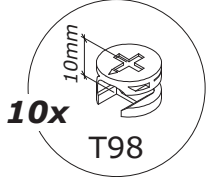
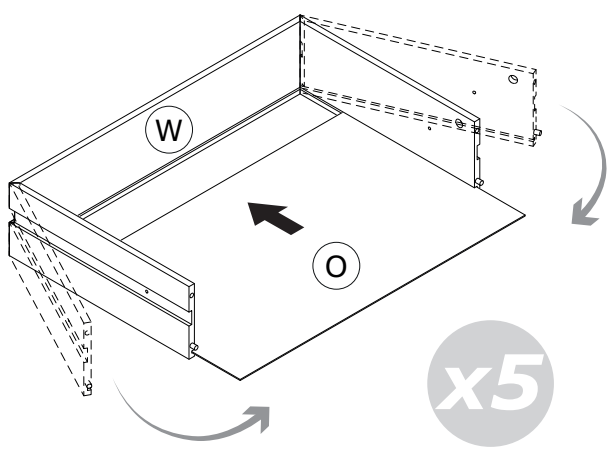
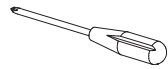
1



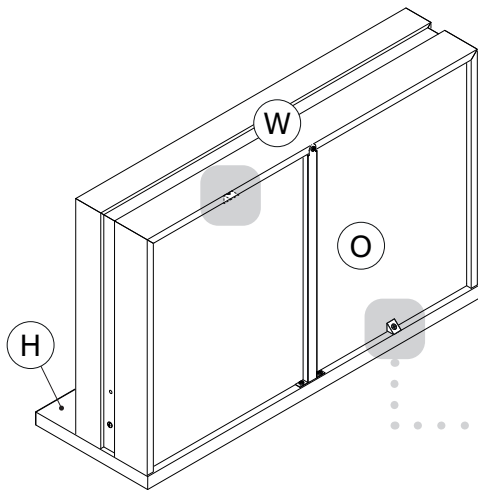
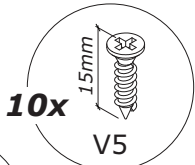
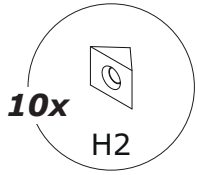
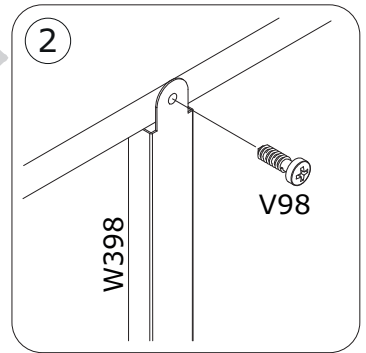
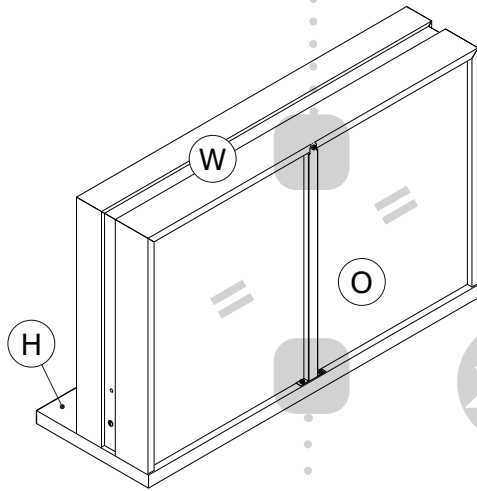
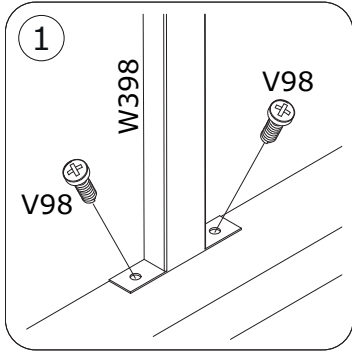
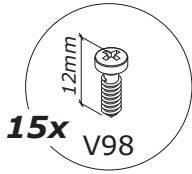
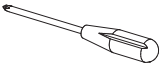
x5



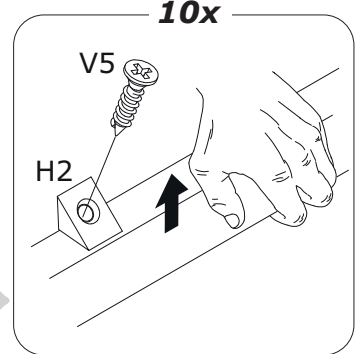
2



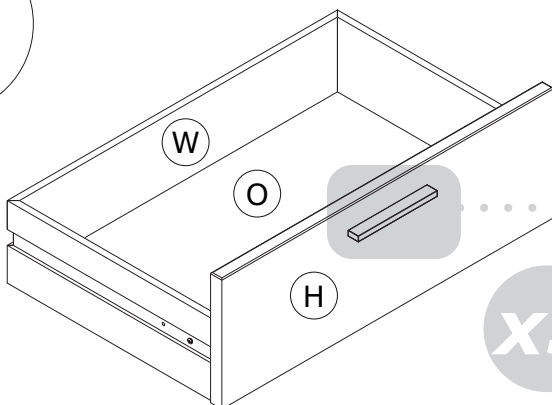
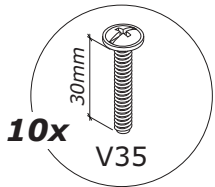
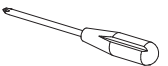
3



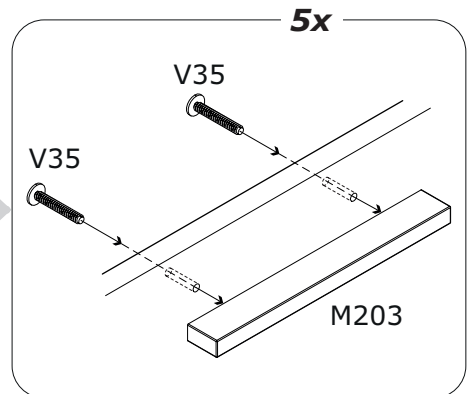
x5



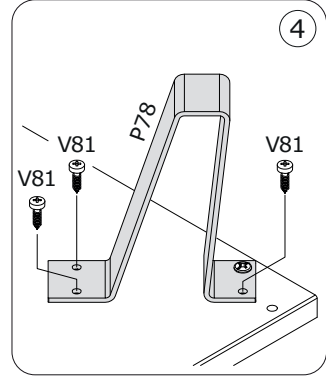
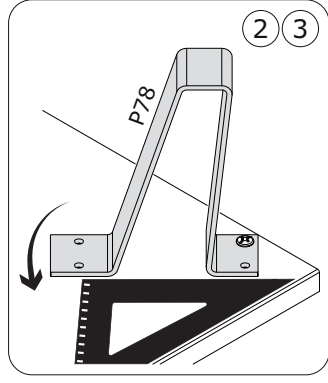
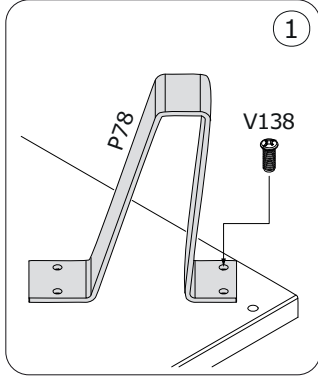
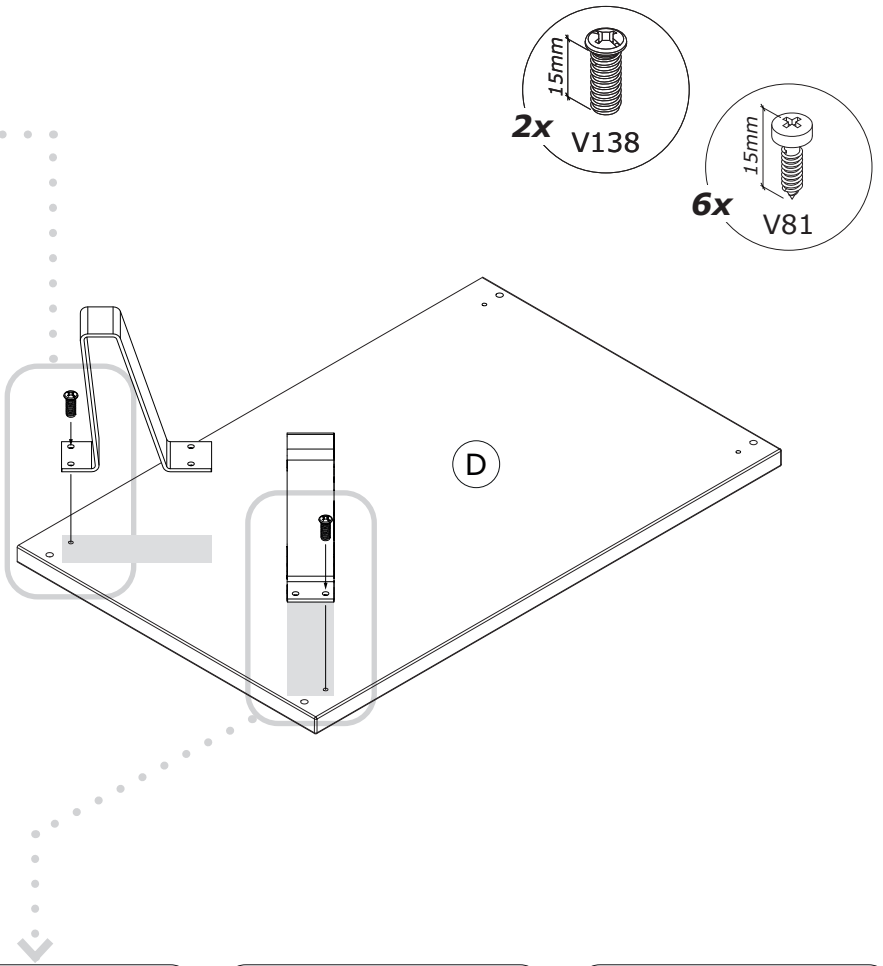
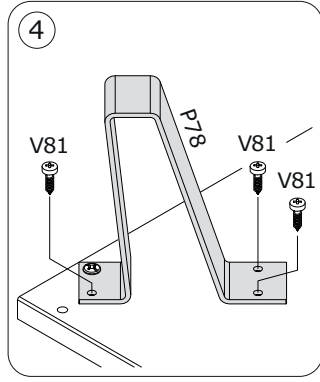
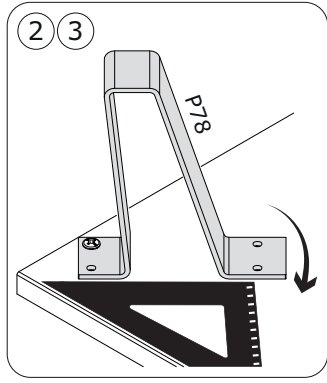
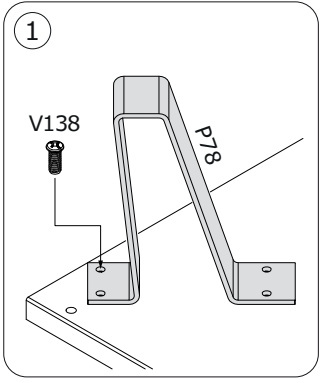
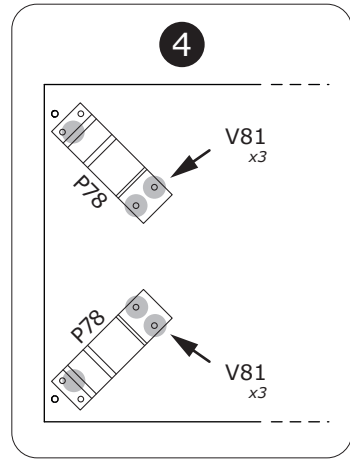
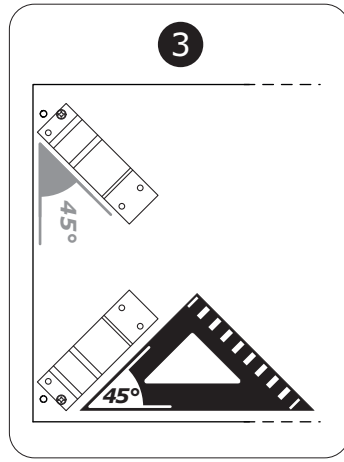
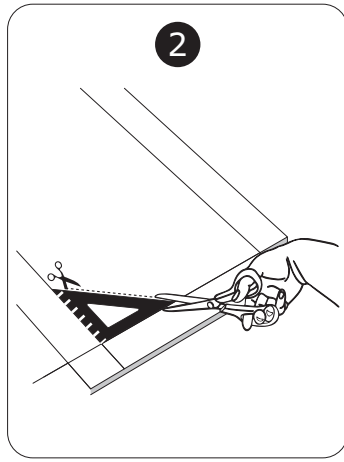
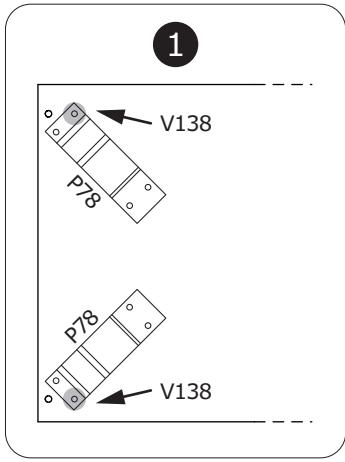
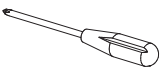
4

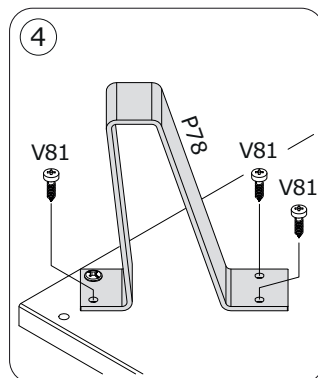
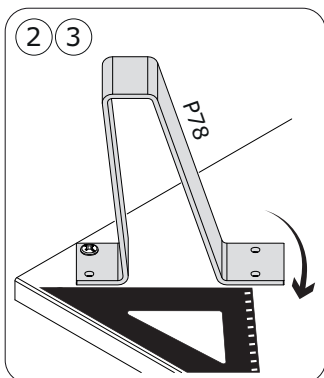
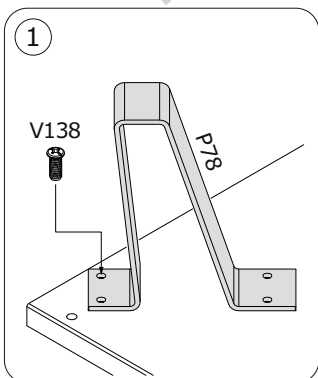
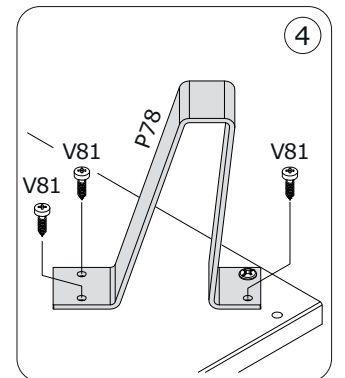
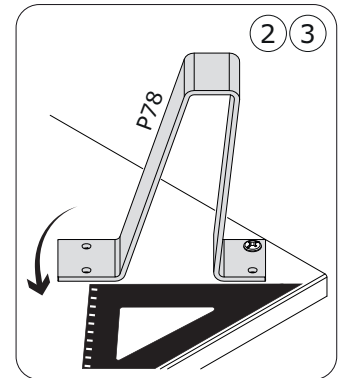
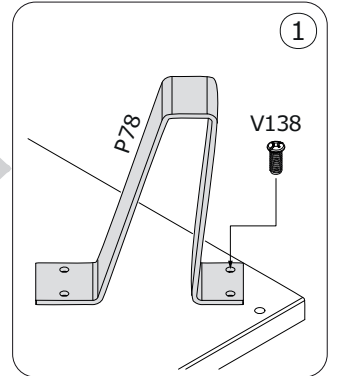
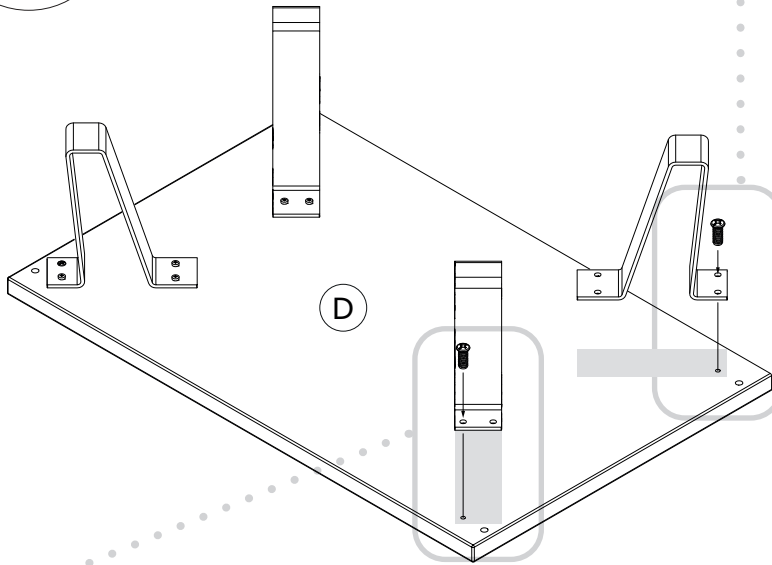
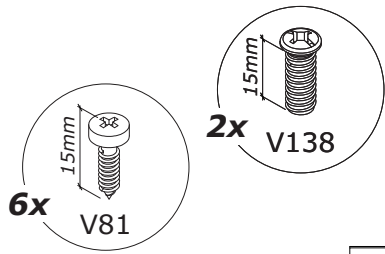
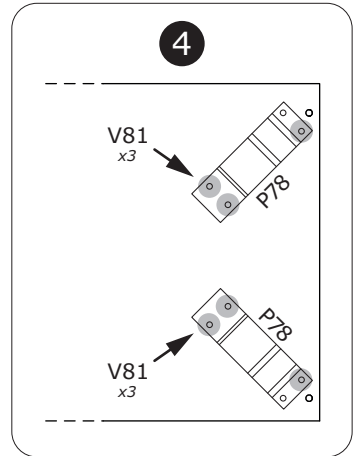
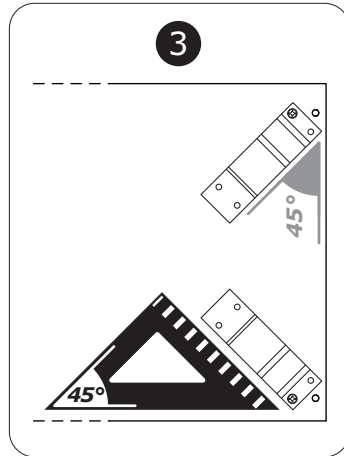
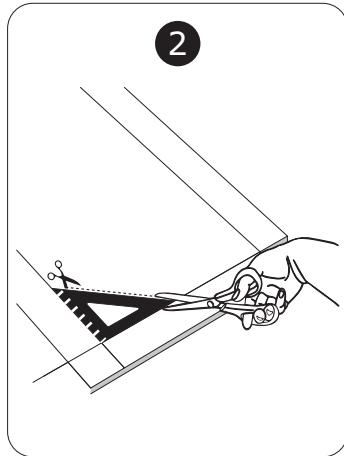
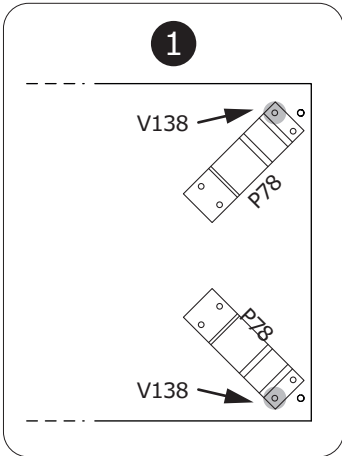
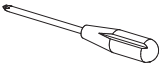


x5

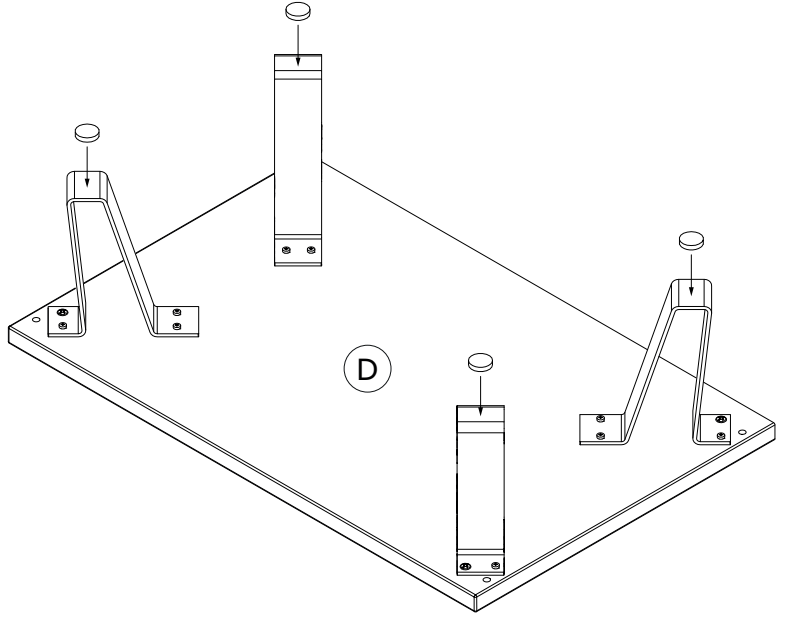
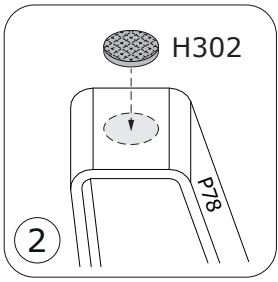
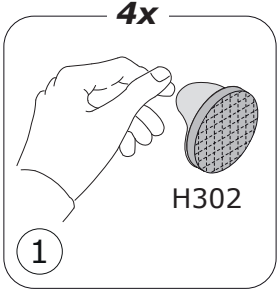


5

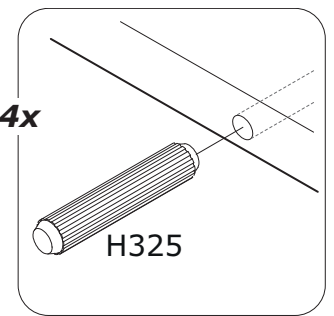
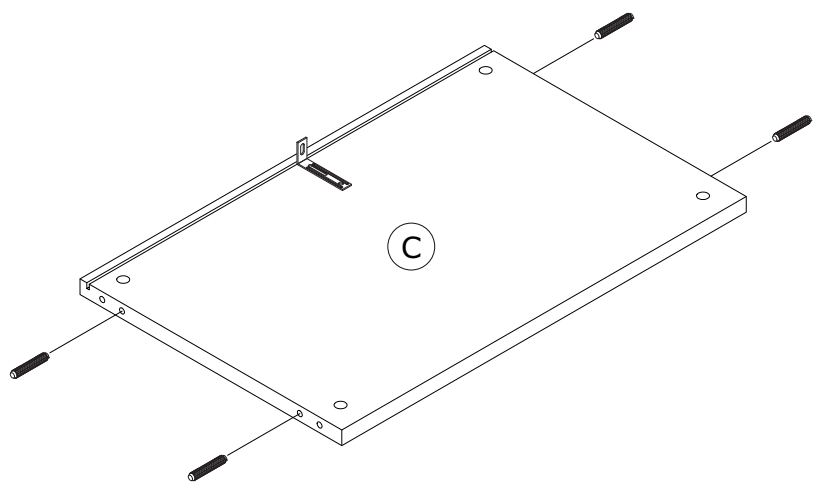
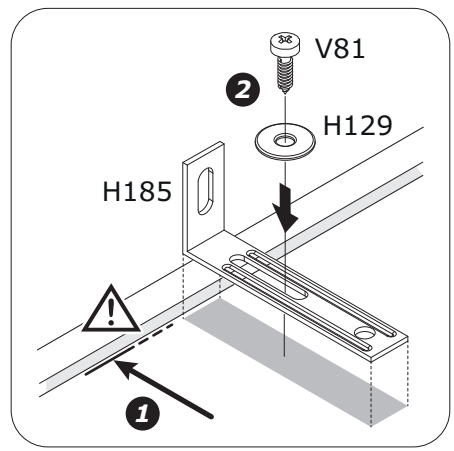
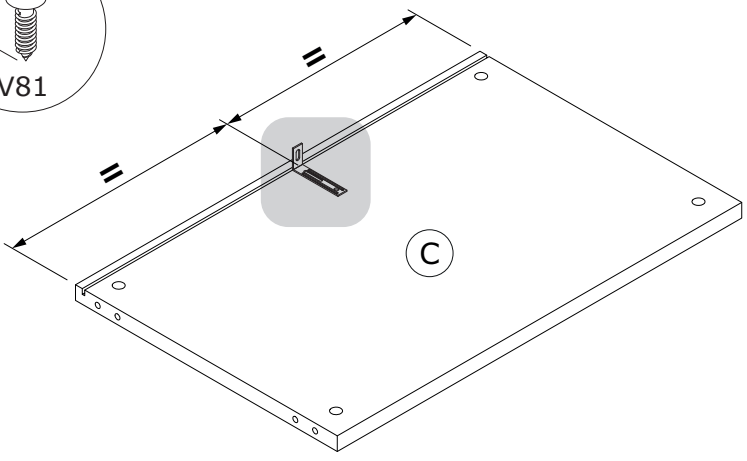
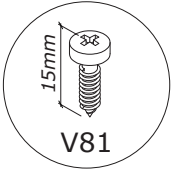
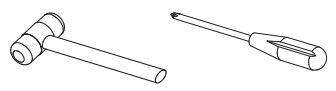




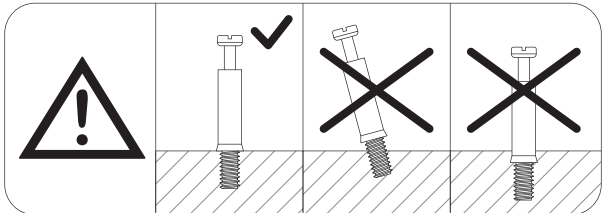
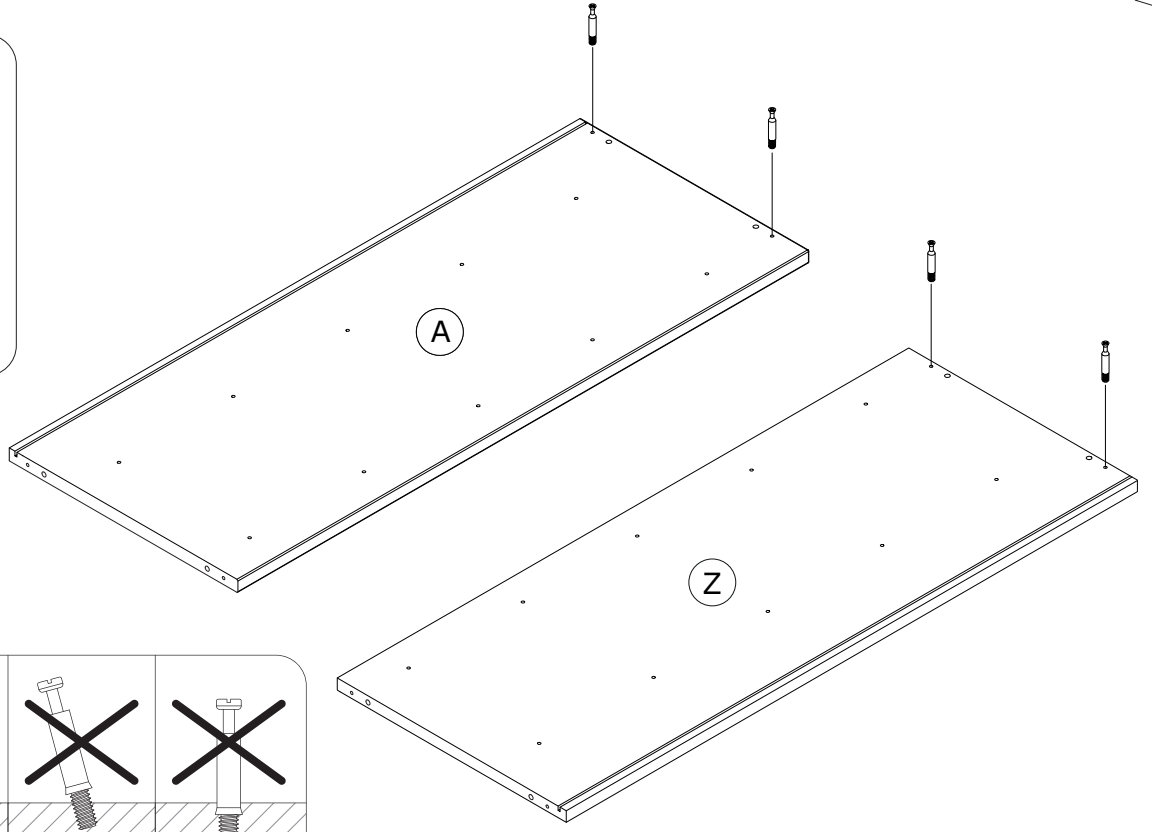
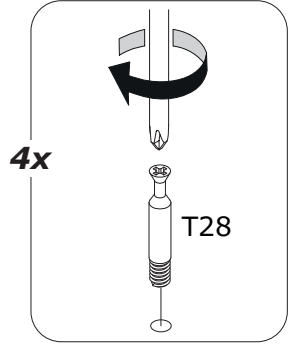
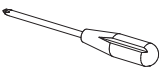
7



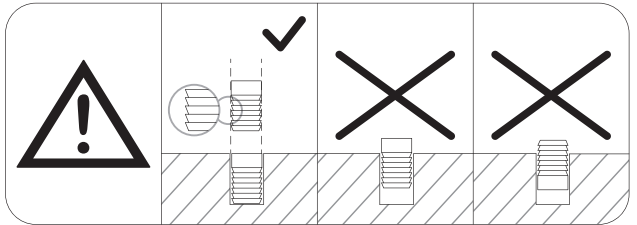
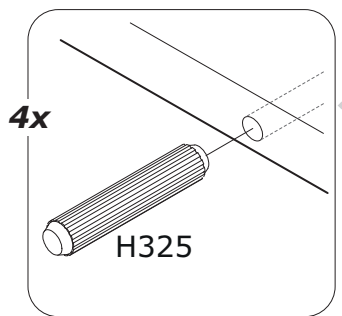
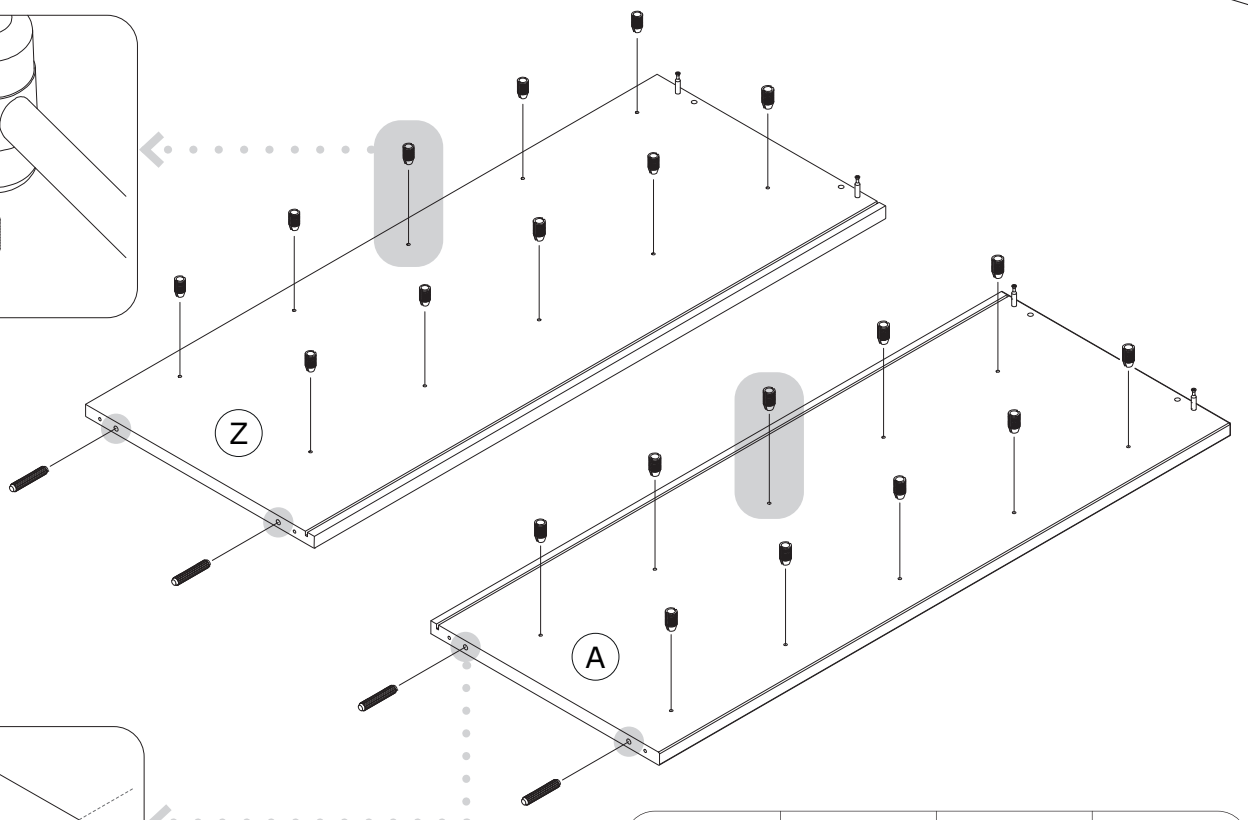
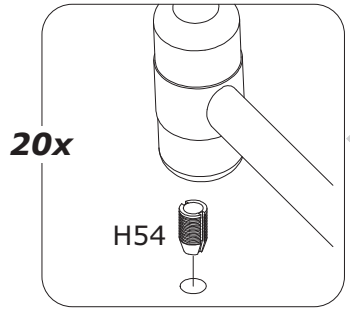
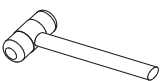
8

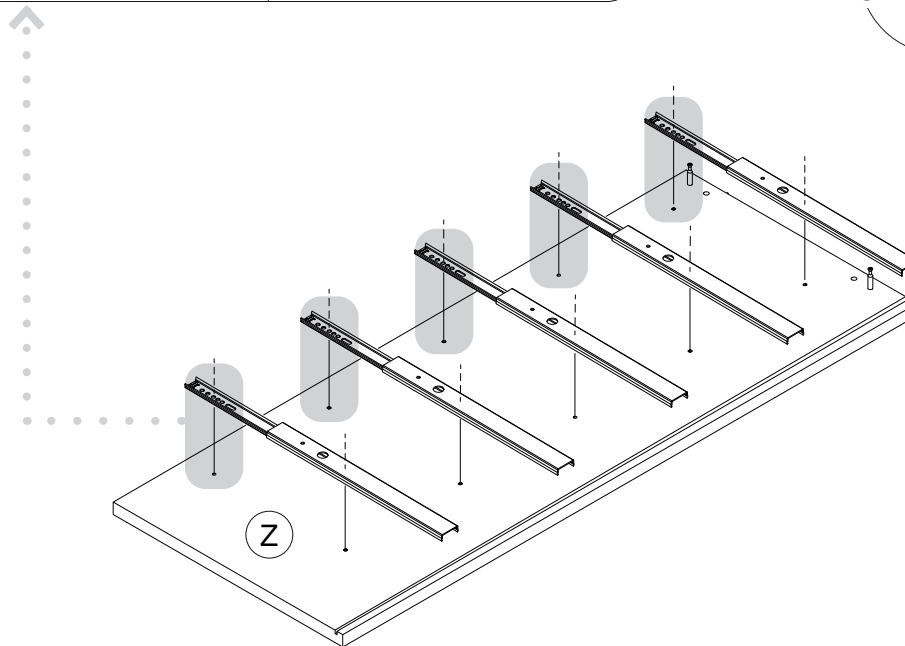
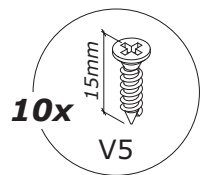
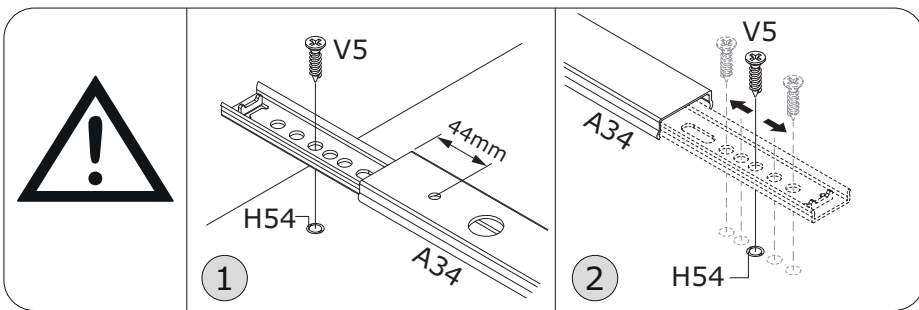
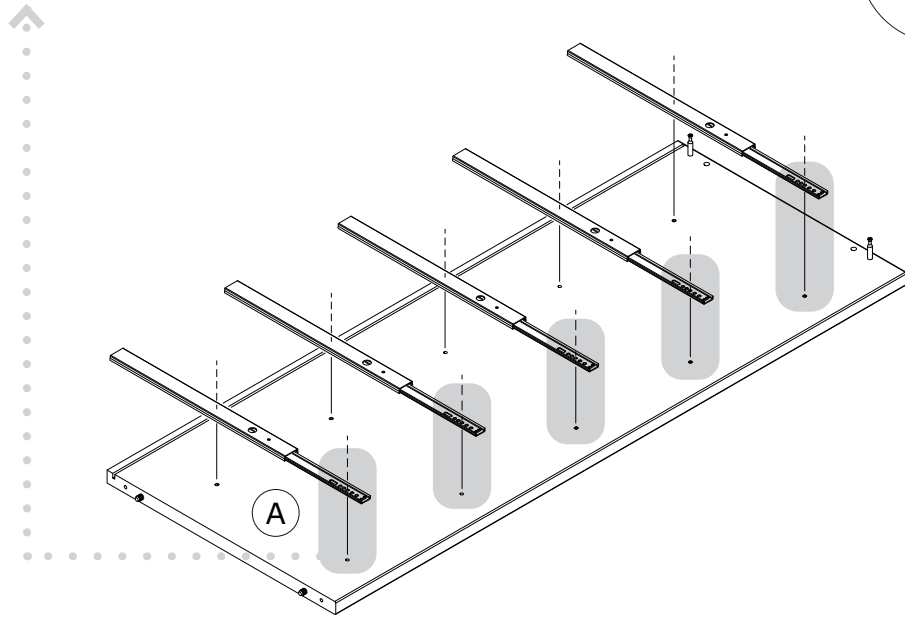
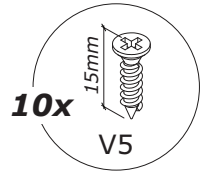
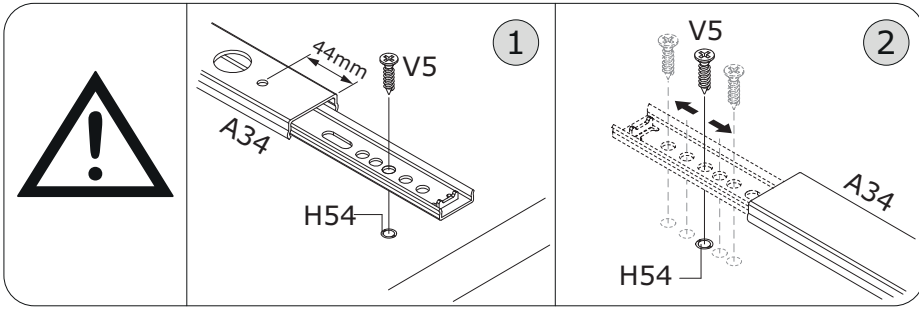
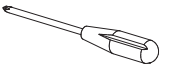


9

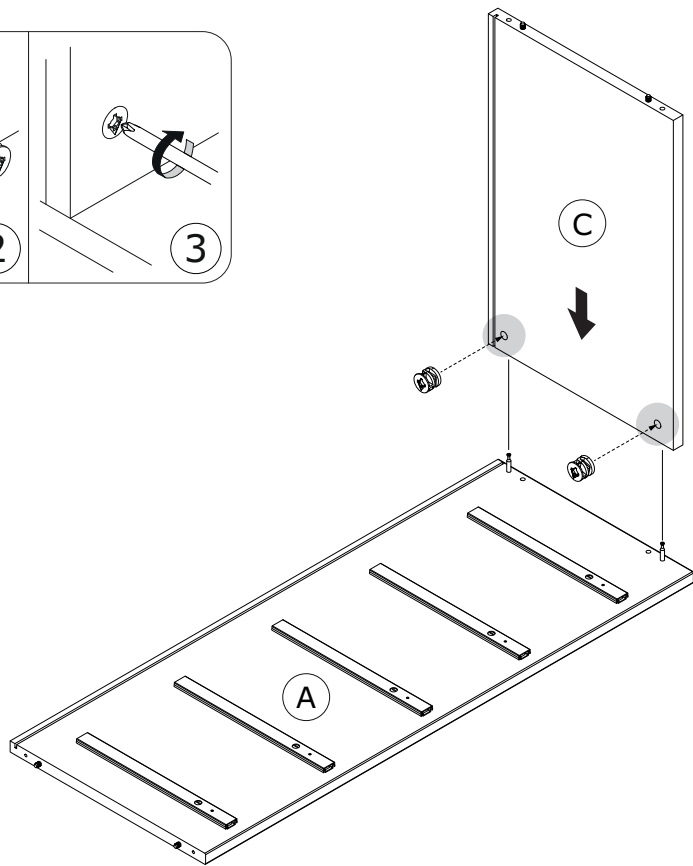
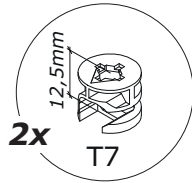
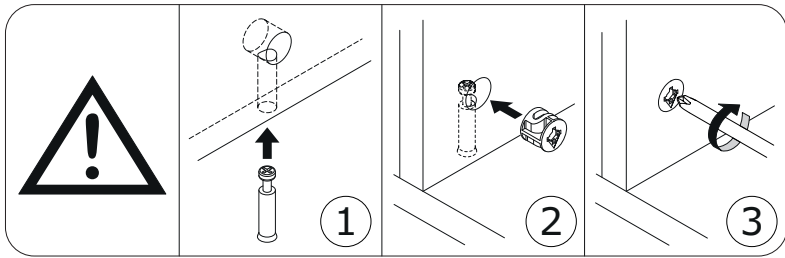


10

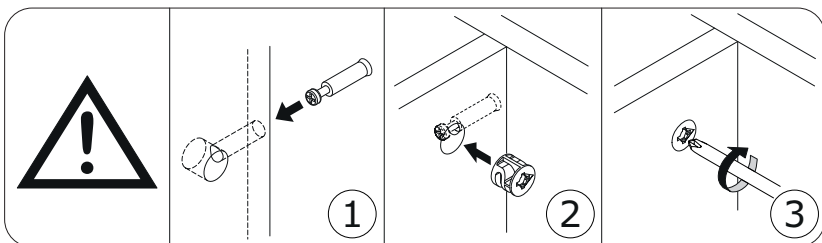
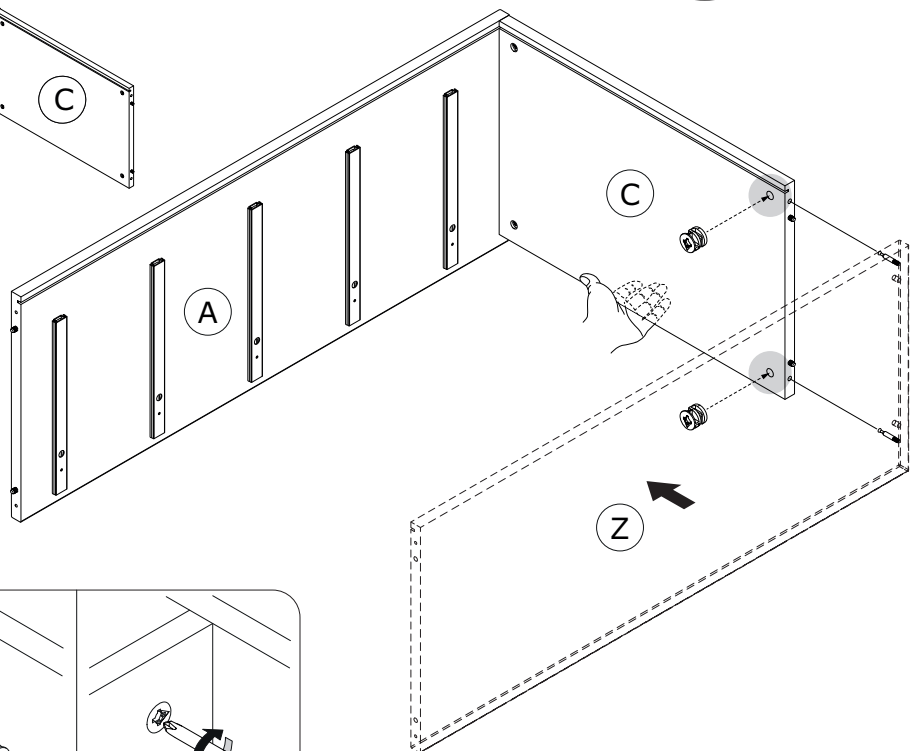
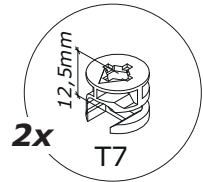
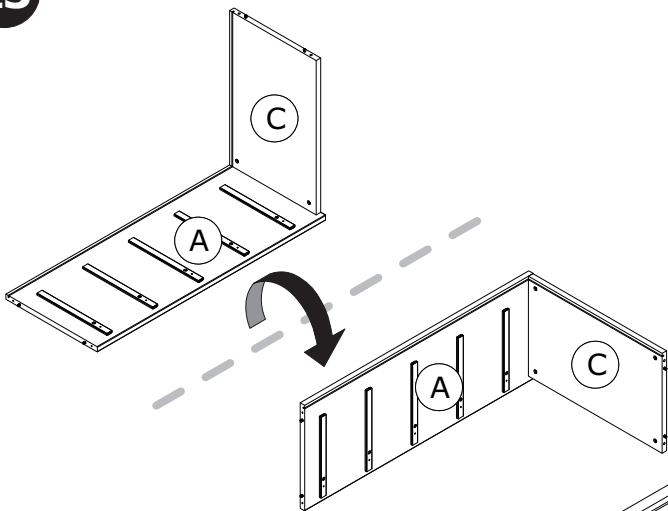




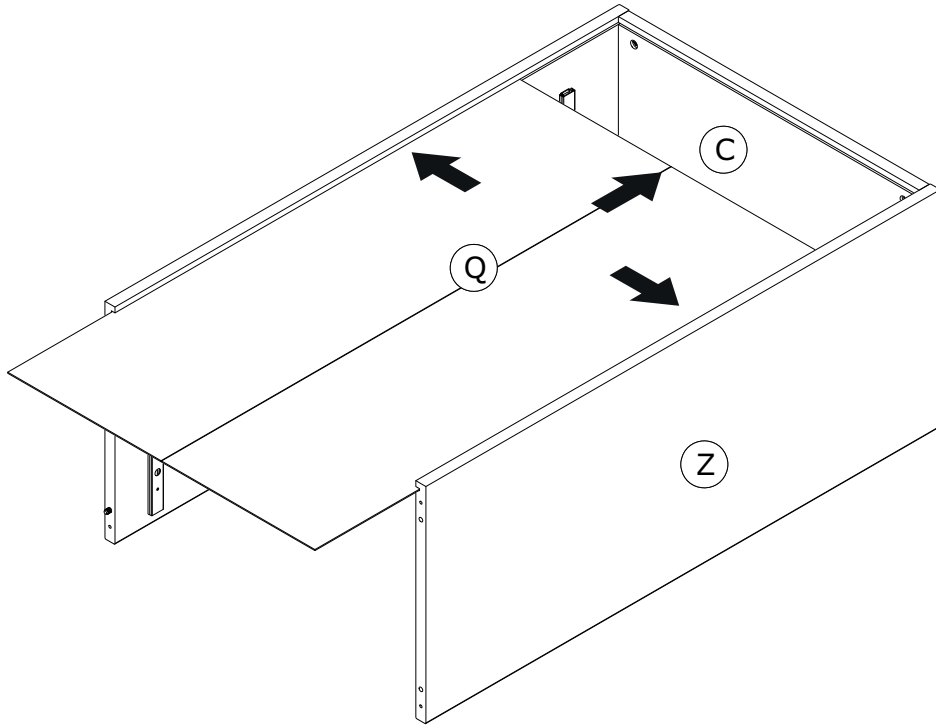
12



13



14



15

