

ASSEMBLY INSTRUCTIONS

Please read instructions carefully

Remove all wrapping materials, staples and packing straps from the carton. Refer to Parts List and Hardware List and ensure they are complete before you start assembling. Place all wooden parts on a clean, flat and soft surface (e.g carpet or rug) to prevent parts from being scratched.

CAUTIONS: 1) DO NOT FULLY TIGHTEN BOLTS AND NUTS UNTIL ALL PARTS HAVE BEEN ASSEMBLED.







2) DO NOT OVER-TIGHTEN BOLTS AND NUTS UNTIL ALL PARTS HAVE BEEN ASSEMBLED.

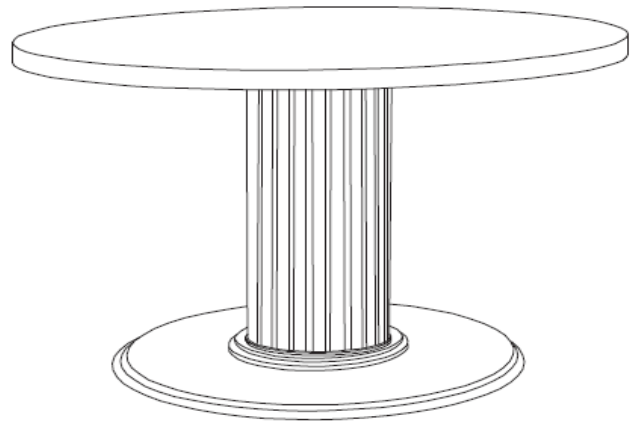
3) KEEP ALL HARDWARE PARTS OUT OF REACH OF CHILDREN.

PARTS LIST (FOR 1 NOS. OF TABLE)

NO.	COMPONENT	QTY.
P1	TABLE TOP	1
P2	PEDESTAL LEG	1
P3	LEG BASE PANEL	1
P4	MOUNTING PLATE	1

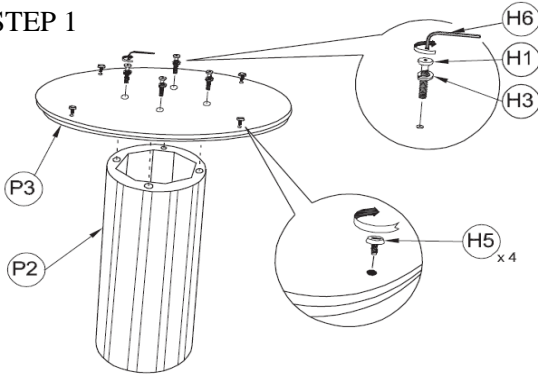
HARDWARE LIST (FOR 1 NOS.OF TABLE)

NO.	DESCRIPTION	QTY.
H1	JCBC SCREW M6 x 40MM 	8
H2	JCBC SCREW M6 x 35MM 	4
H3	SPRING WASHER 	12
H4	FLAT WASHER 	4
H5	LEG ADJUSTABLE GLIDE 	4
H6	ALLEN KEY M4 	1

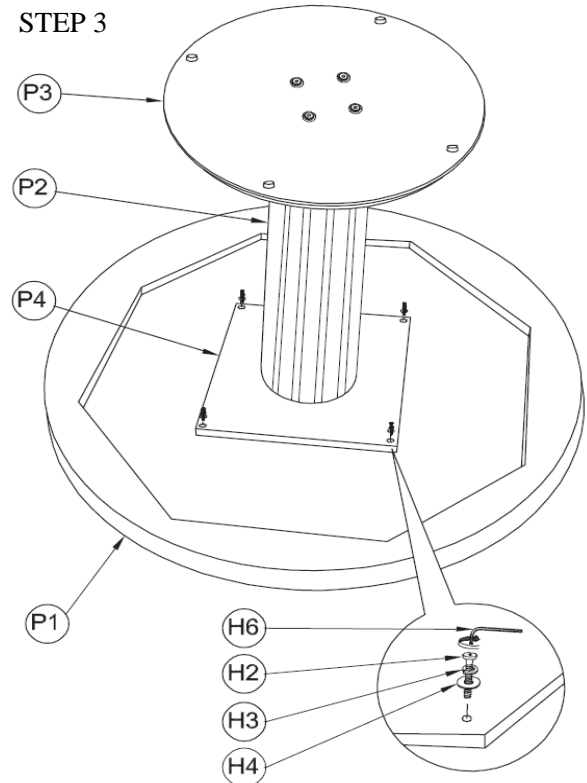


COMPLETE ASSEMBLY

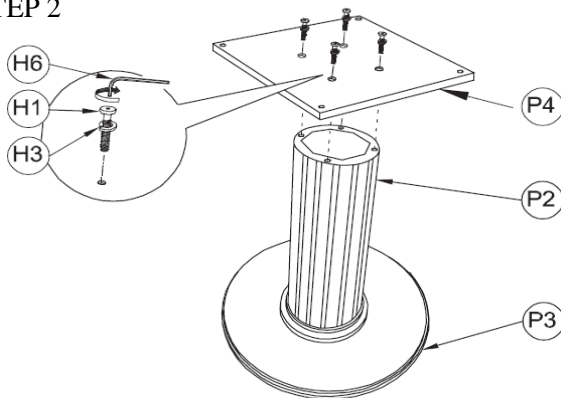
STEP 1



STEP 3



STEP 2



CARE AND MAINTENANCE

SAFETY - To avoid any risk of suffocation to children or animals, dispose off the plastic bags immediately.

CLEANING - Clean with damp cloth and mild detergent. Do not use bleach or abrasive products.

FITTINGS - Tighten bolts and nuts from time to time to ensure all parts of product are securely fitted.