

PLEASE DO NOT RETURN TO STORE

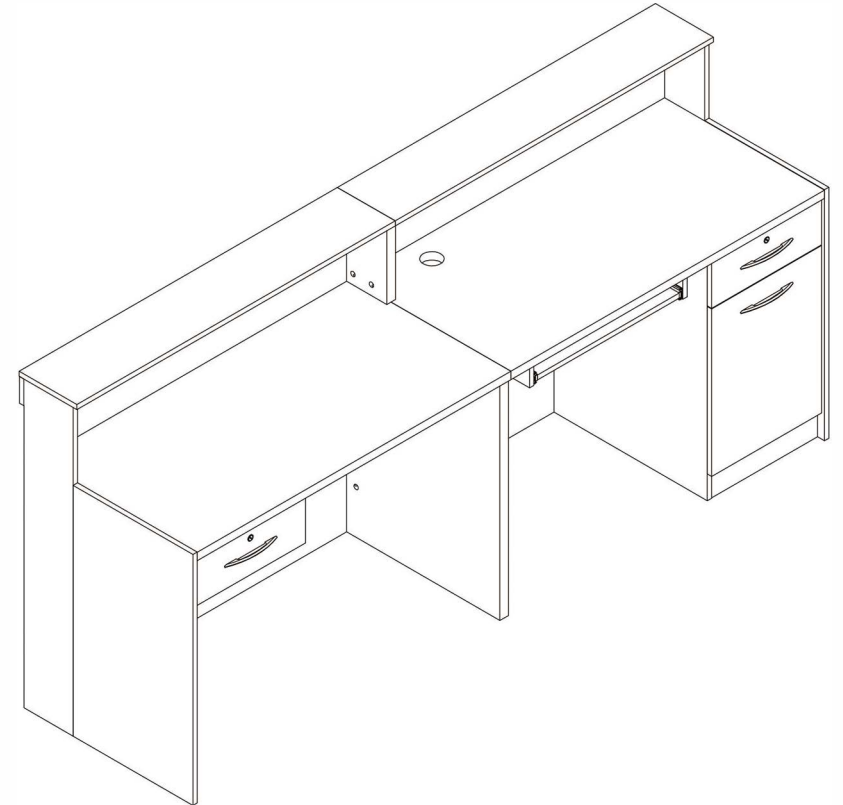
**User Manual
ASSEMBLY INSTRUCTION**

86.6 L*23.6 W*39.4 H Inch


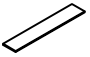





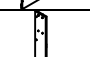




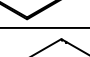

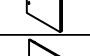





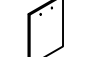



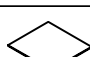

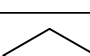


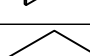
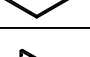



Please do not return this product to the retailer!
We are able to assist you in ANY way!

If you find that you have any trouble with assembly or
missing or damaged parts please contact the seller.

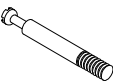



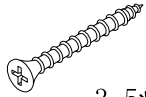



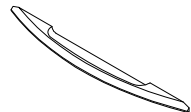

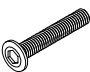
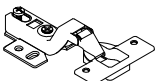
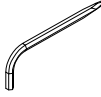
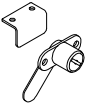
Parts List

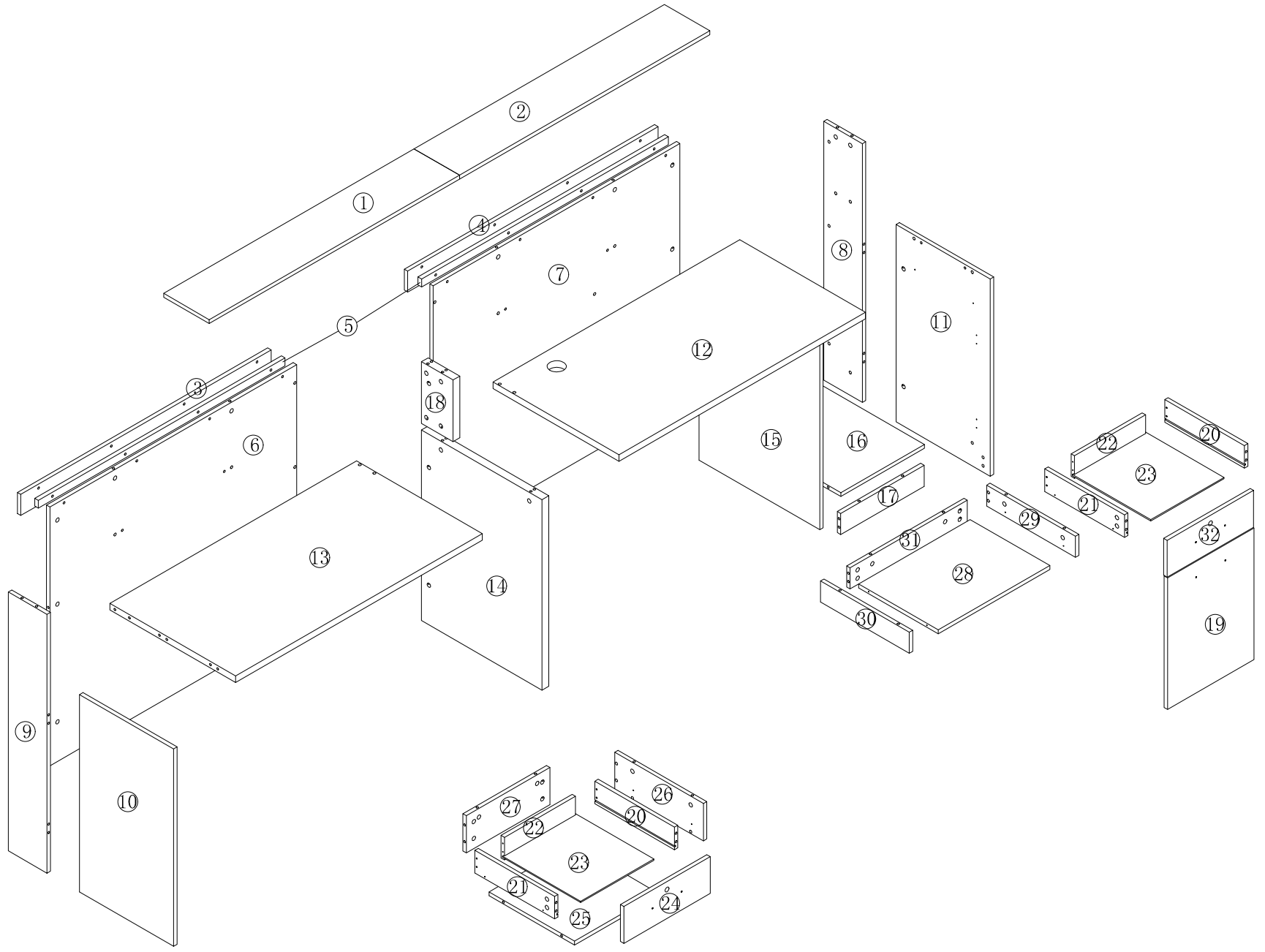
NO.	Drawing	Dimension	QTY
1		1100*200*15mm	*1
2		1100*200*15mm	*1
3		1100*80*15mm	*1
4		1100*80*15mm	*1
5		1084*30*15mm	*2
6		1084*985*30mm	*1
7		1084*985*30mm	*1
8		985*170*15mm	*1
9		985*170*15mm	*1
10		751*414*15mm	*1
11		751*414*15mm	*1
12		1084*553*25mm	*1
13		1084*553*25mm	*1
14		725*530*30mm	*1
15		725*530*15mm	*1
16		367*530*15mm	*1

NO.	Drawing	Dimension	QTY
17		367*80*15mm	*1
18		235*190*30mm	*1
19		380*501*15mm	*1
20		350*86*15mm	*2
21		350*86*15mm	*2
22		312*86*15mm	*2
23		322*344*4mm	*2
24		380*140*15mm	*1
25		367*375*15mm	*1
26		390*142*15mm	*1
27		367*142*15mm	*1
28		490*350*15mm	*1
29		390*80*15mm	*1
30		390*80*15mm	*1
31		515*80*15mm	*1
32		380*140*15mm	*1

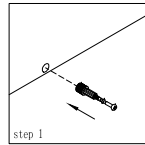
Hardware Fitting

NO.	Drawing	QTY
A		*92
B		*92
C	 8*40mm	*12
D		*3
E	 3.5*35mm	*8
F	 3.5*14mm	*44

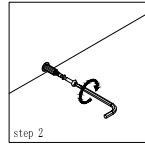
NO.	Drawing	QTY
G		*3
H	 4*18mm	*6
I	 6*40mm	*8
J		*2
K	 4mm	*1
K		*2



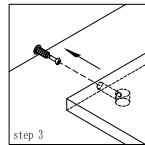
Cam Coupling Using Methods



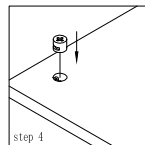
Step1.
Connect the cam coupling A as directed in the assembly instructions using hand.



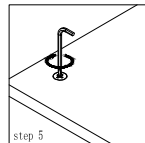
Step2.
Screw the cam coupling A as directed in the assembly instructions.



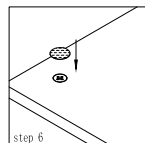
Step3.
Push the cam coupling A into the entry hole.



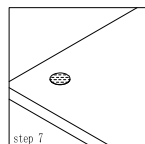
Step4.
Insert the cam coupling B as shown in the instructions.



Step5.
Turn the cam coupling B clockwise with a screwdriver

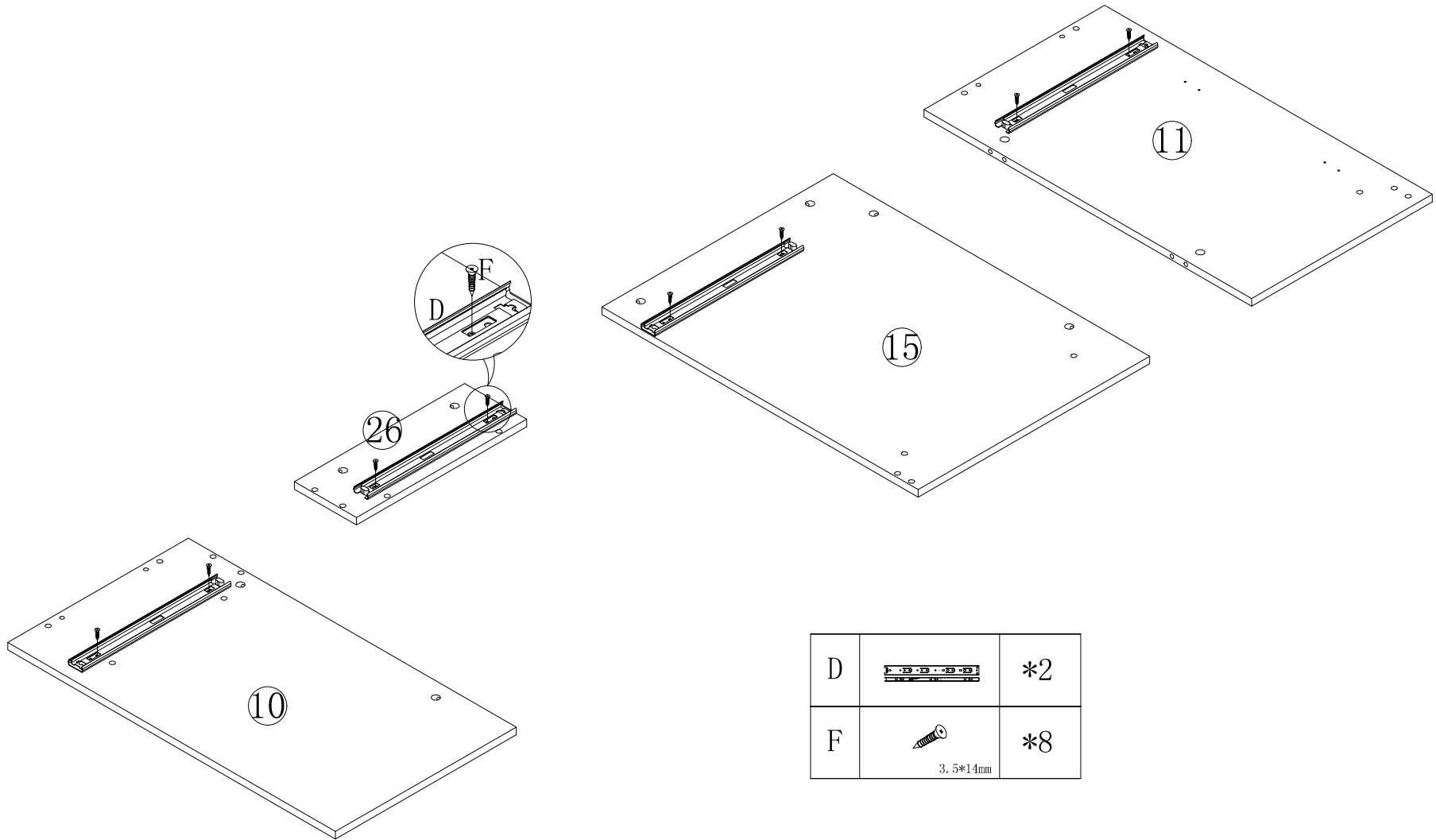


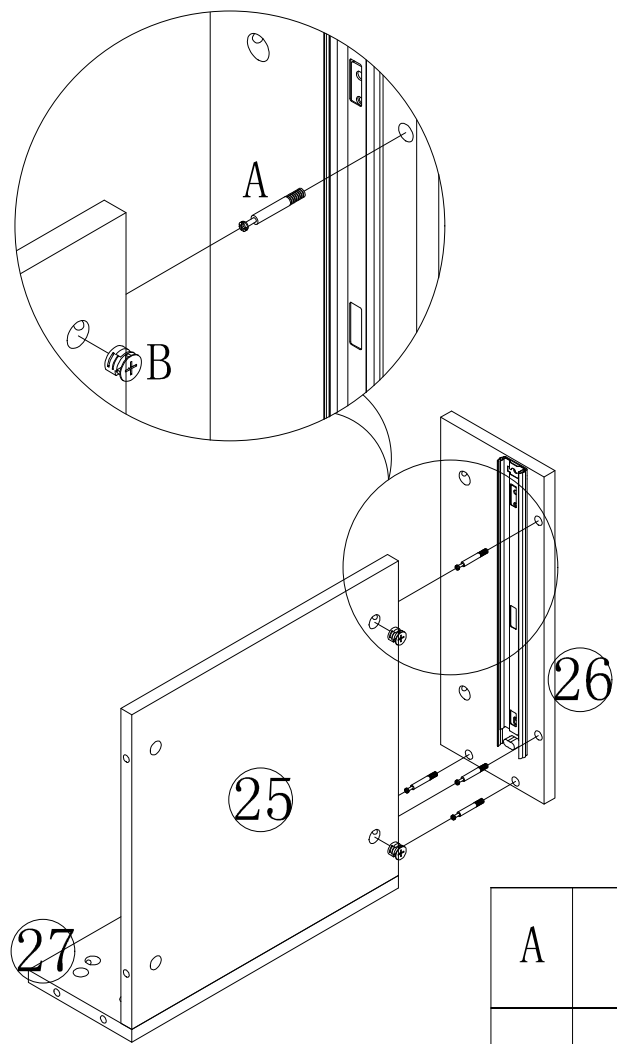
Step6.
Put on Beautycam.





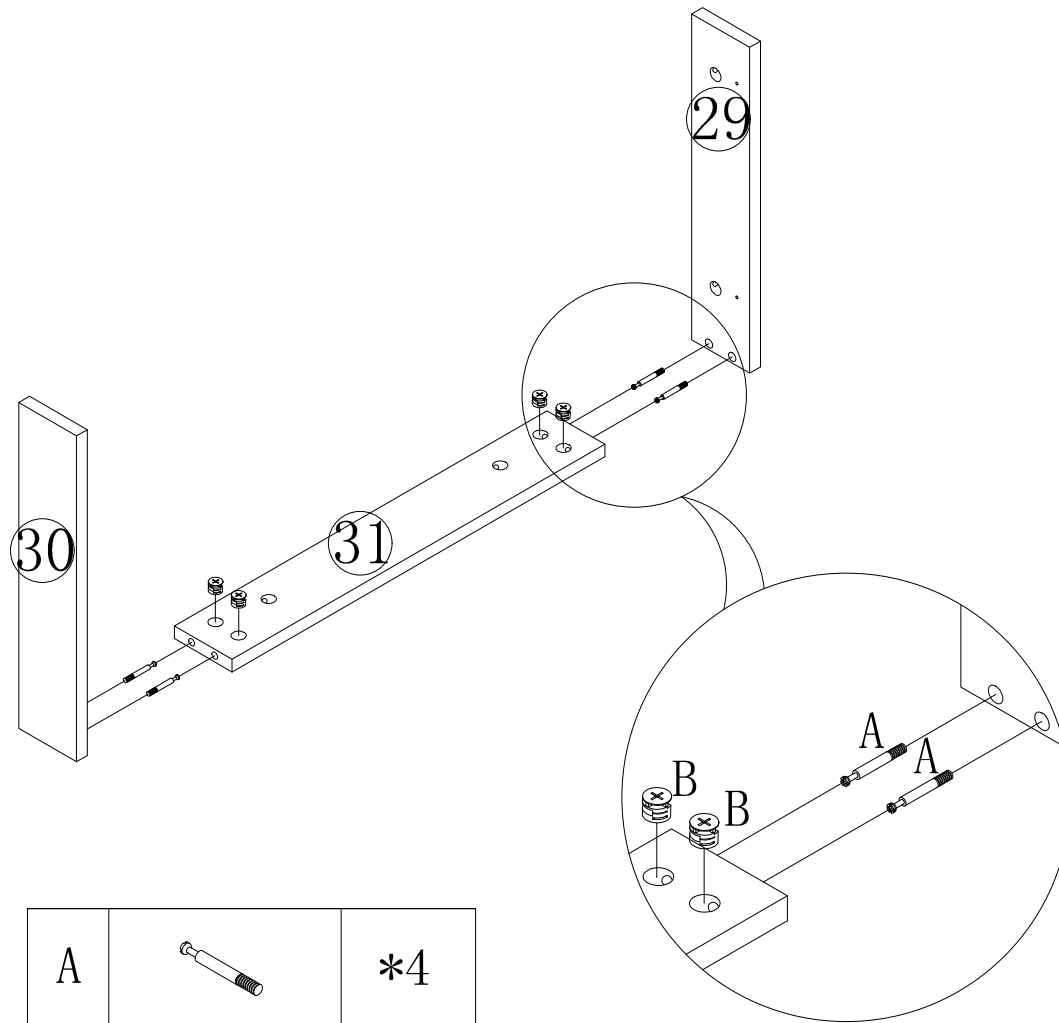
Step7.
Finished.

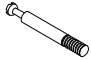

You should feel a click when the camlock is locked in place.
The joint is now secure.

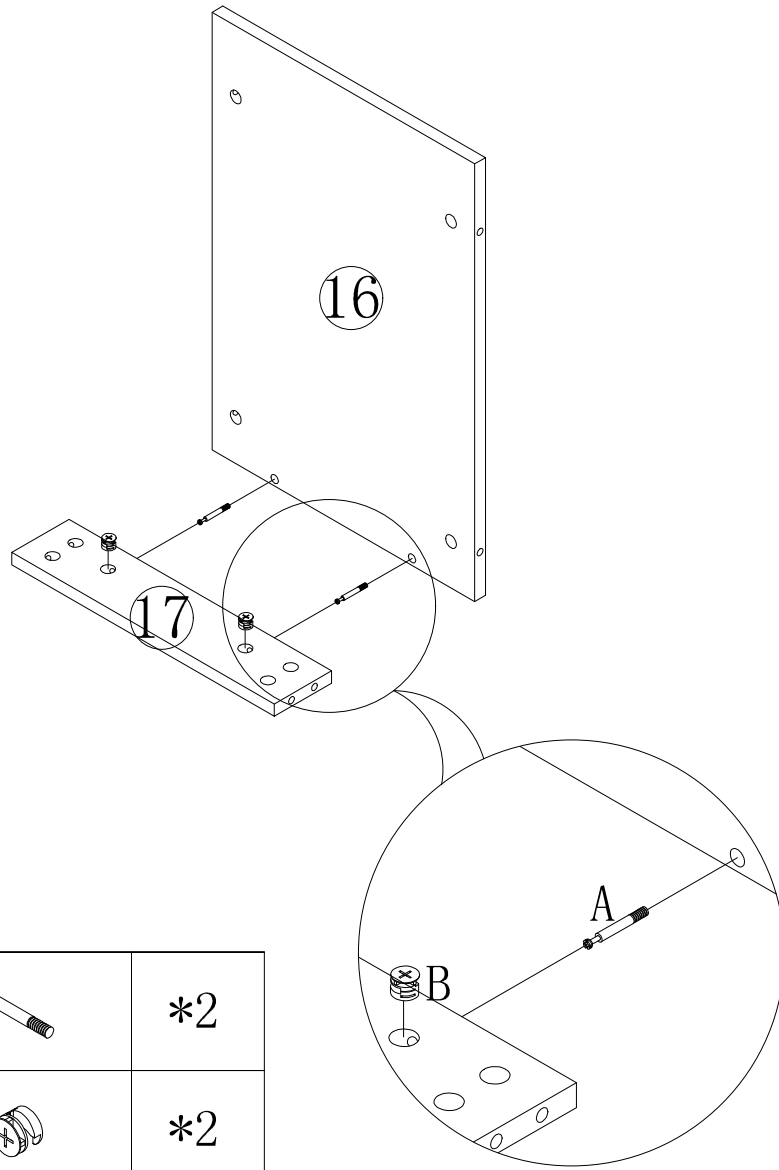






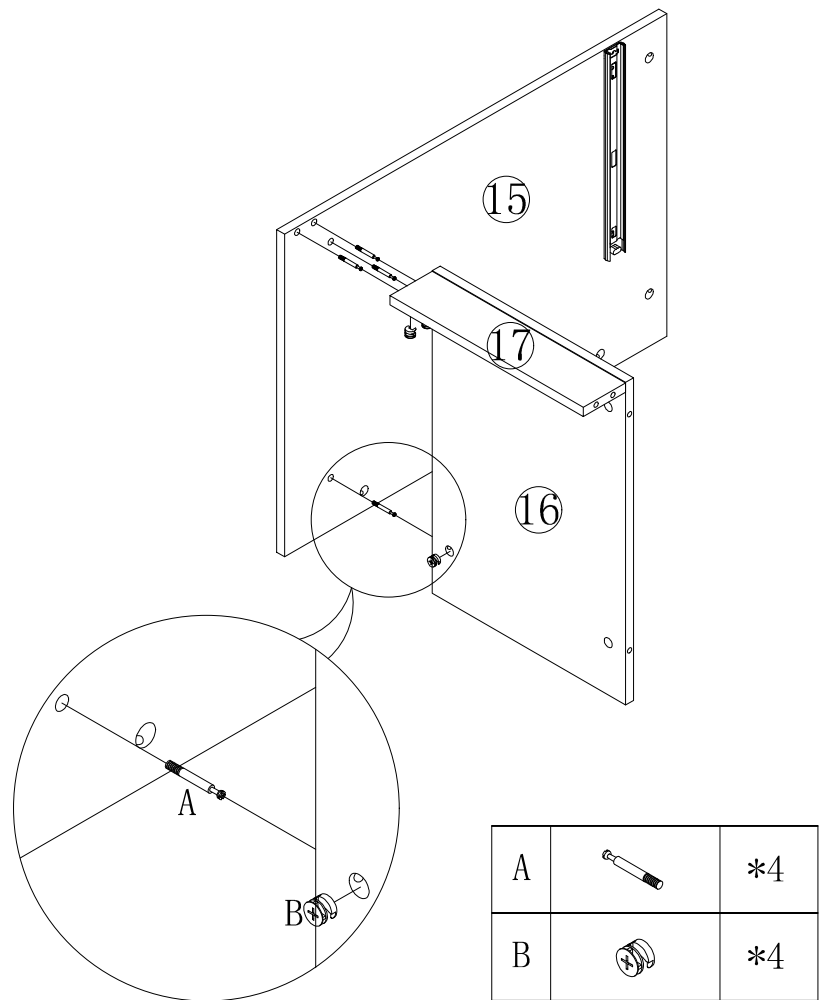
A		*4
B		*4

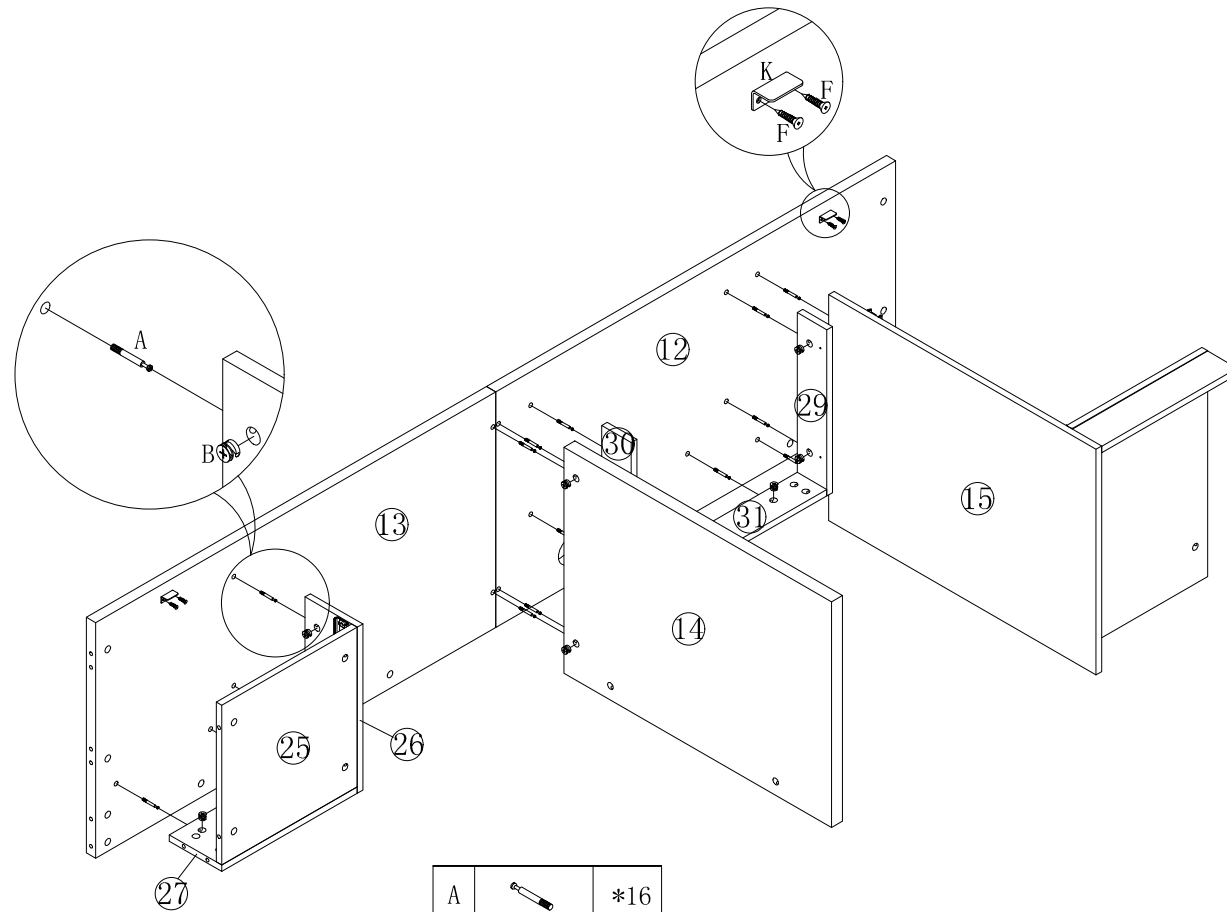






A		*4
B		*4



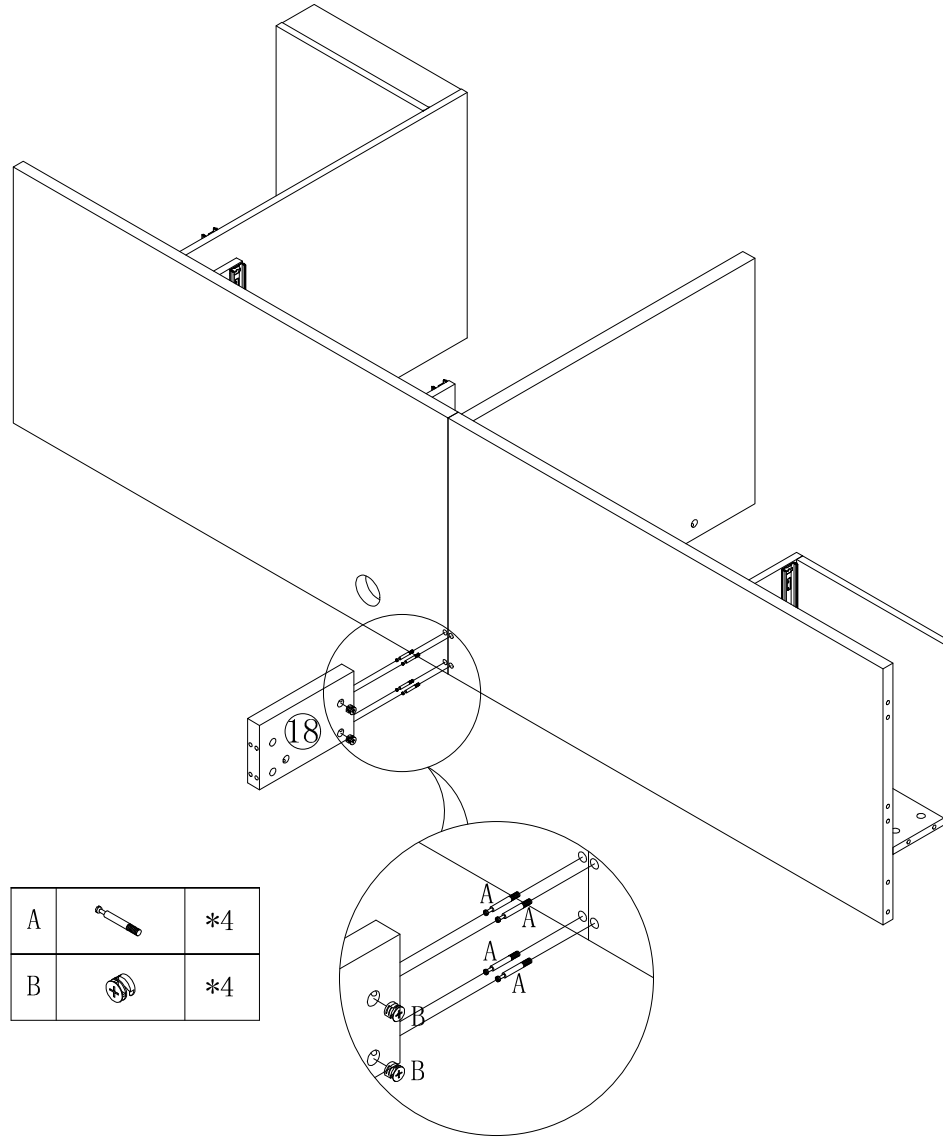
A		*2
B		*2

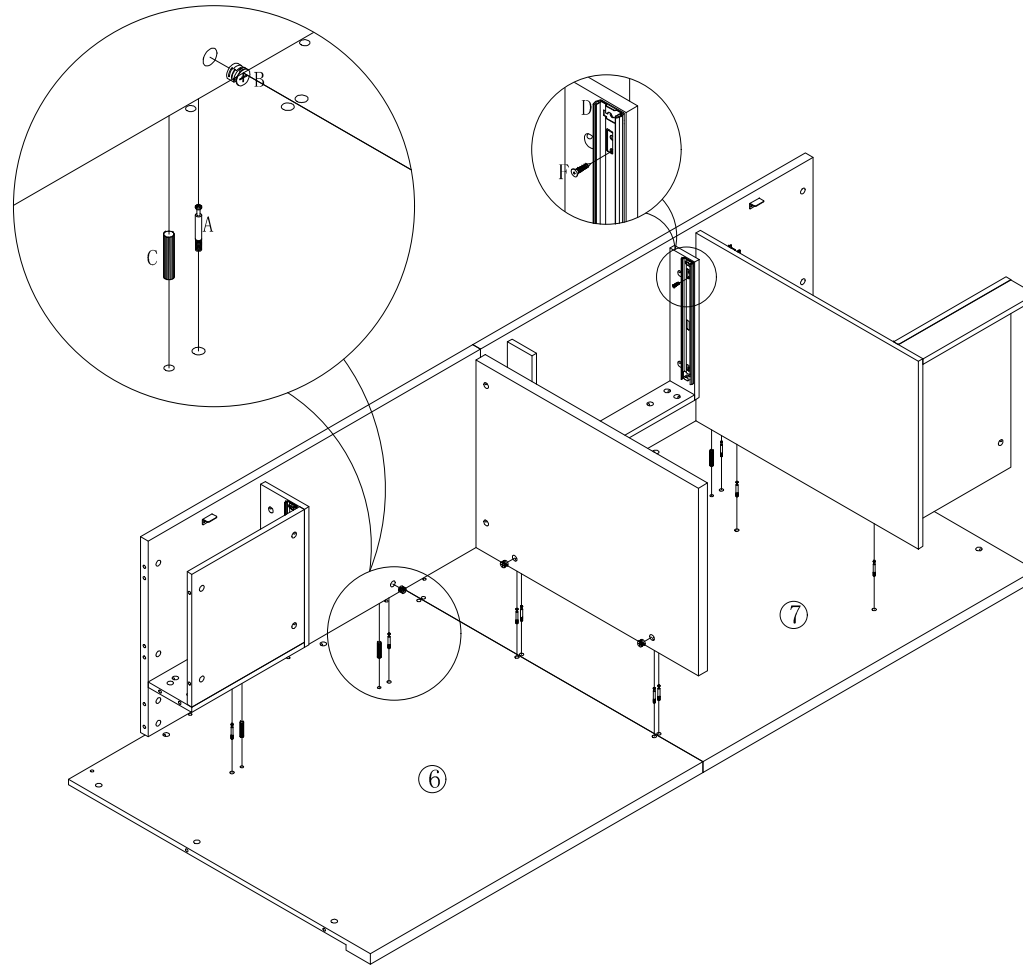









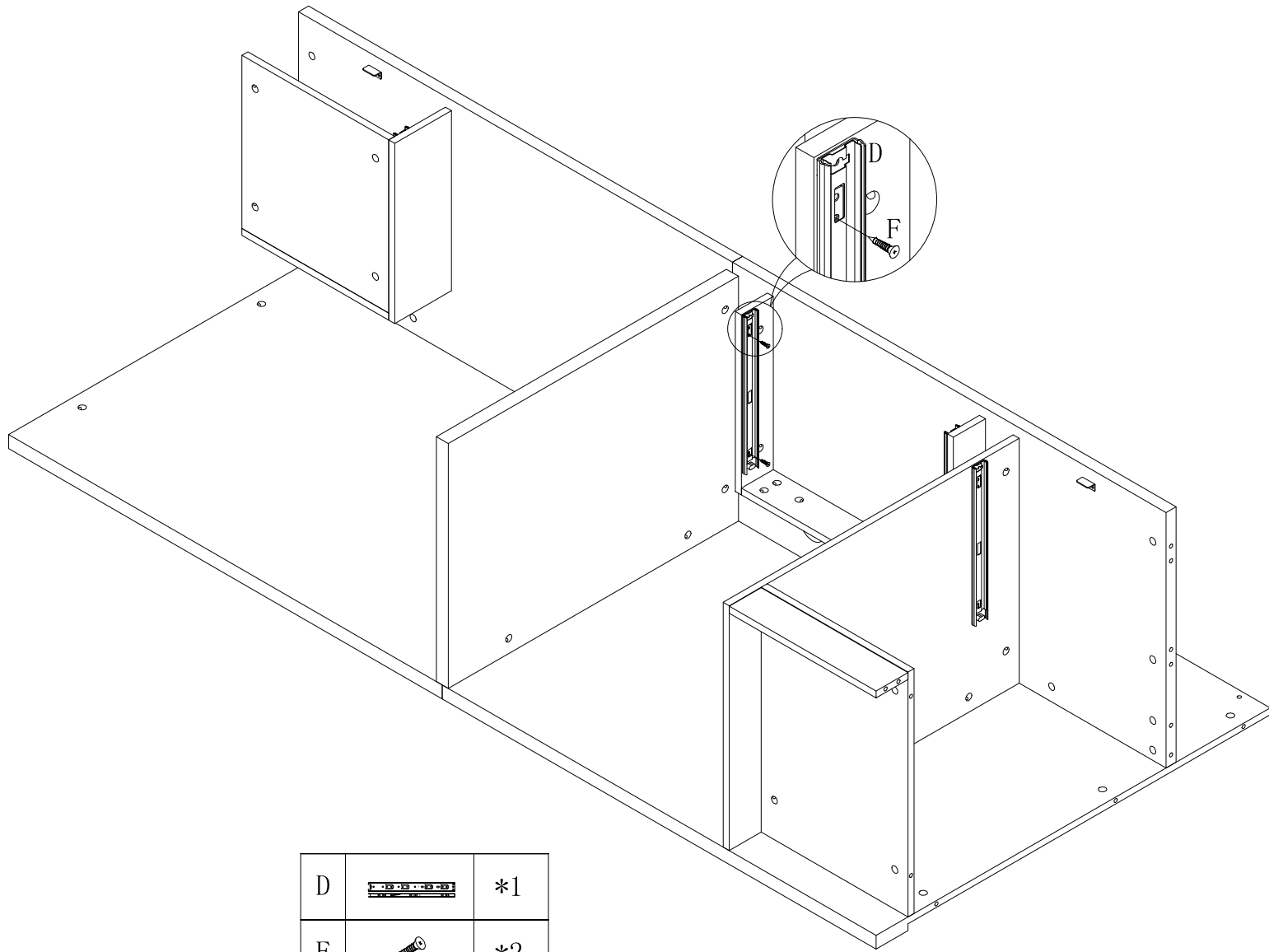
A		*16
B		*16
K		*2
F		*4



3.5*14mm

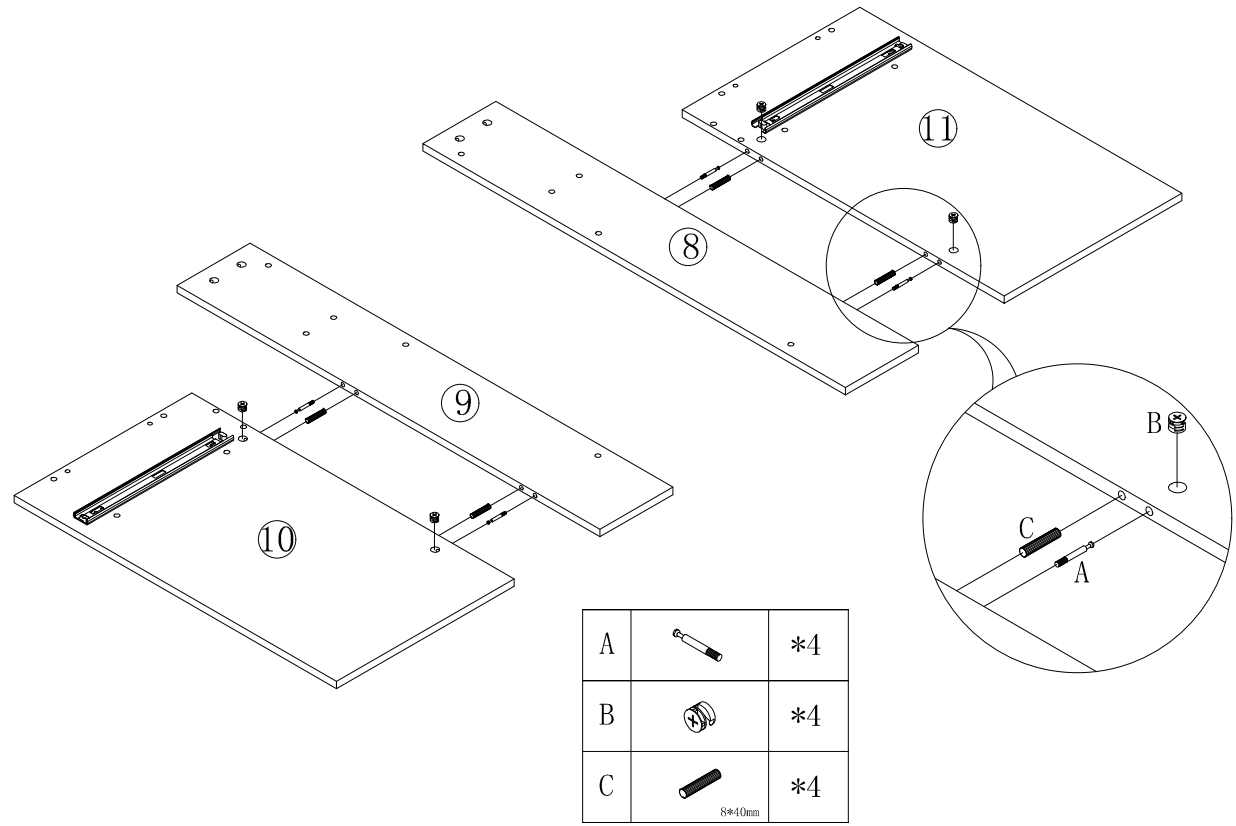


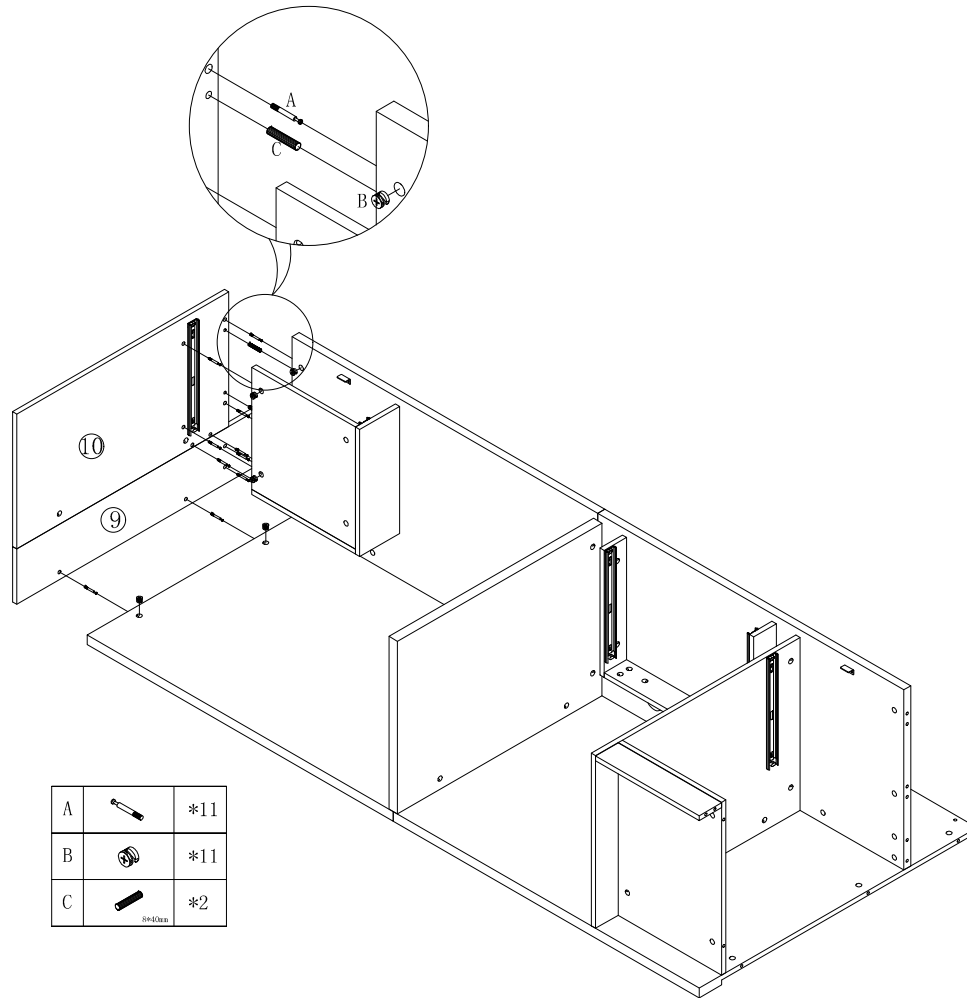


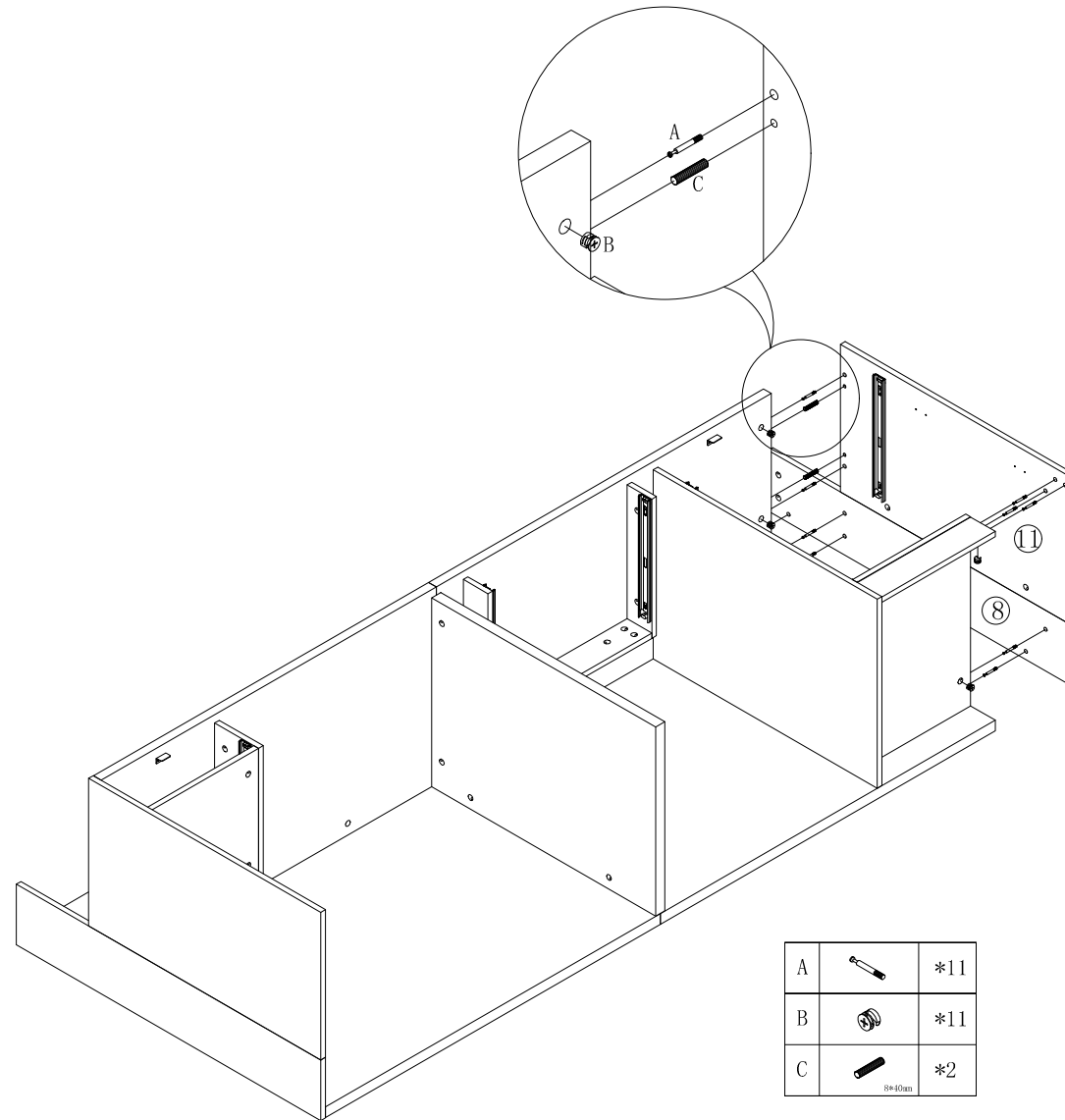
A		*12
B		*12
C	 8x40mm	*4
D		*1
F	 3.5x12mm	*2






D		*1
F	 3.5*14mm	*2

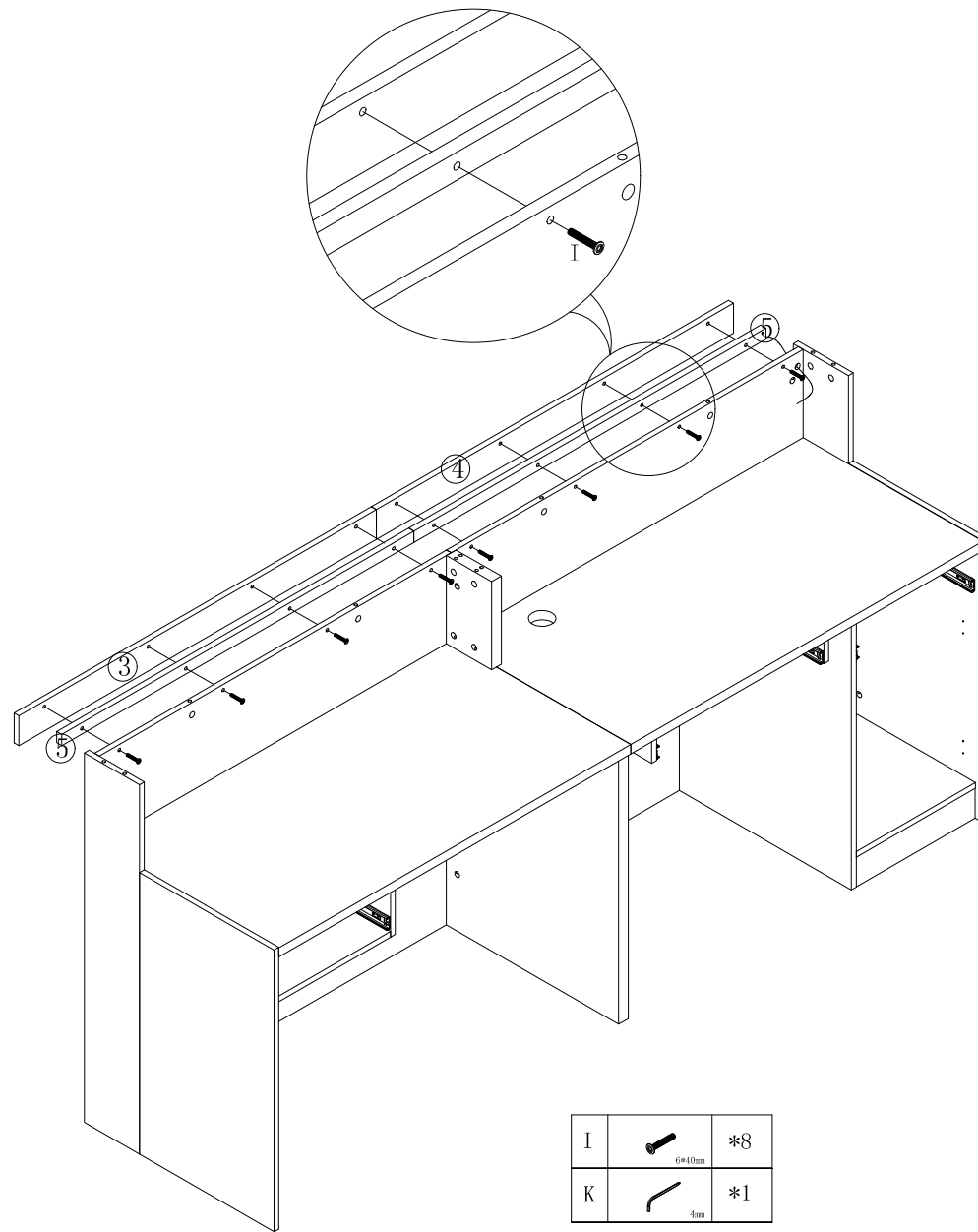






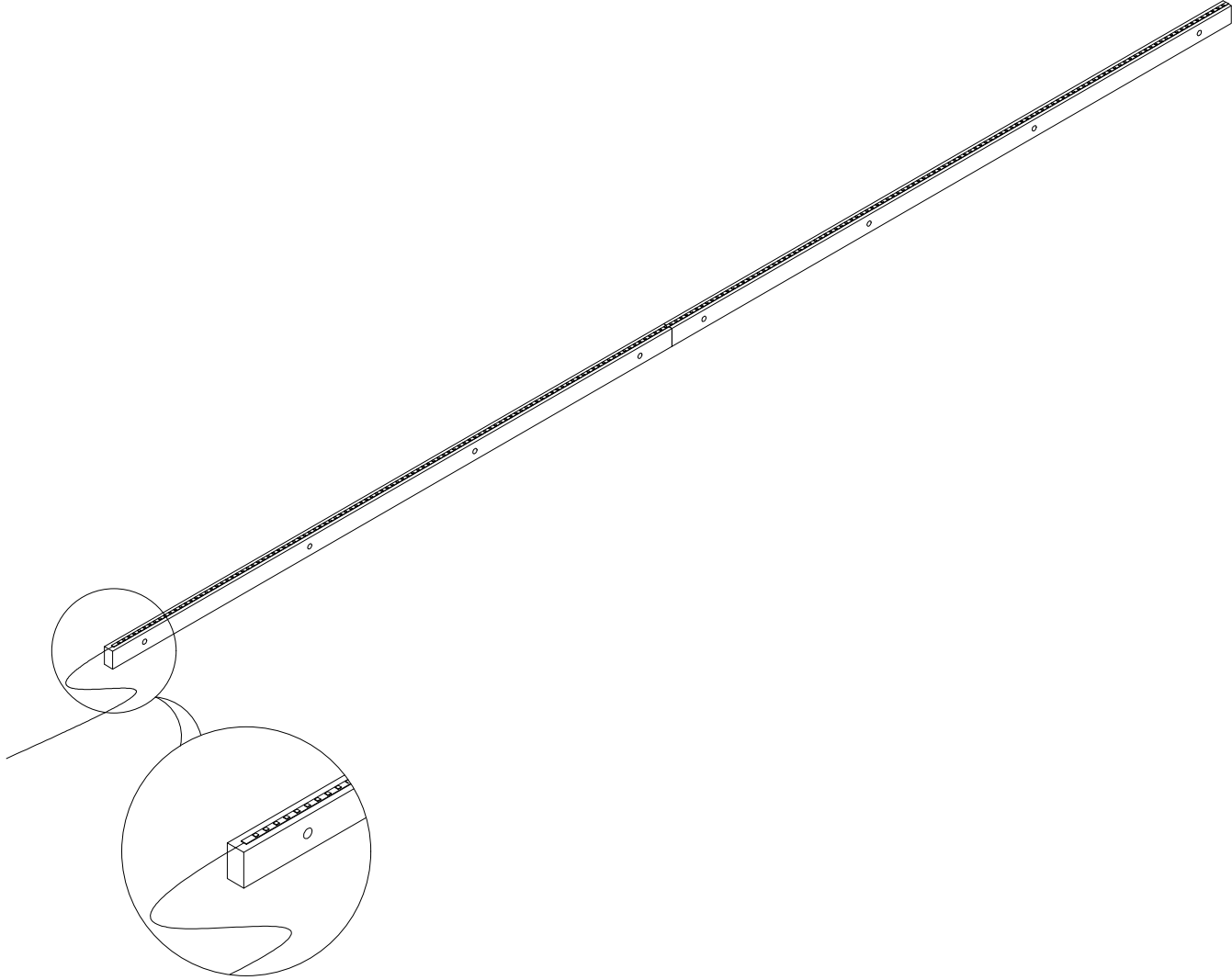


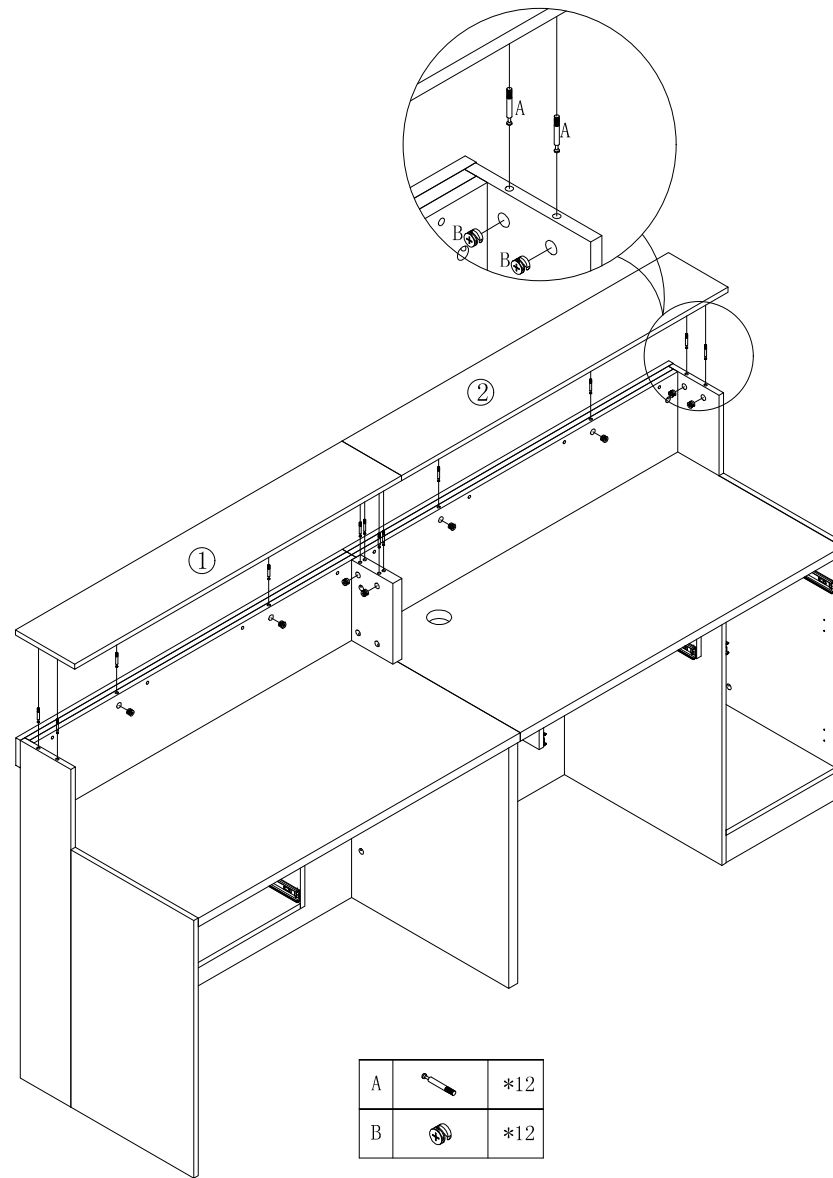
A		*11
B		*11
C		*2



8*40mm

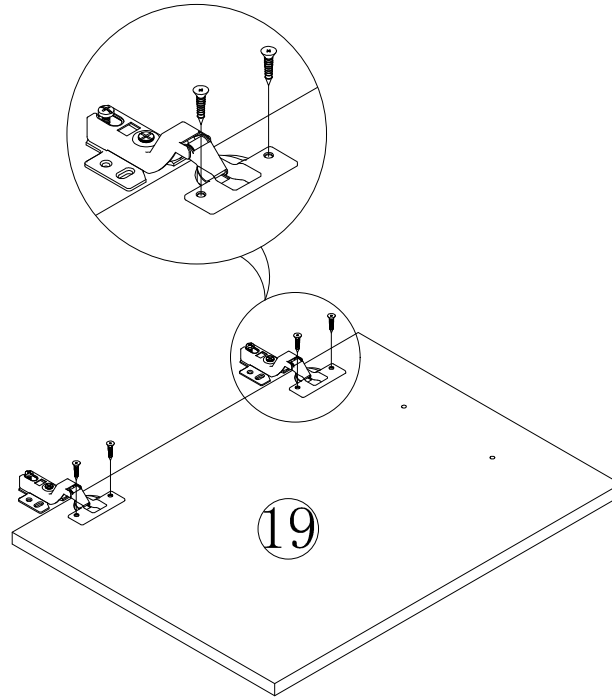




I		6x40mm	*8
K		4mm	*1

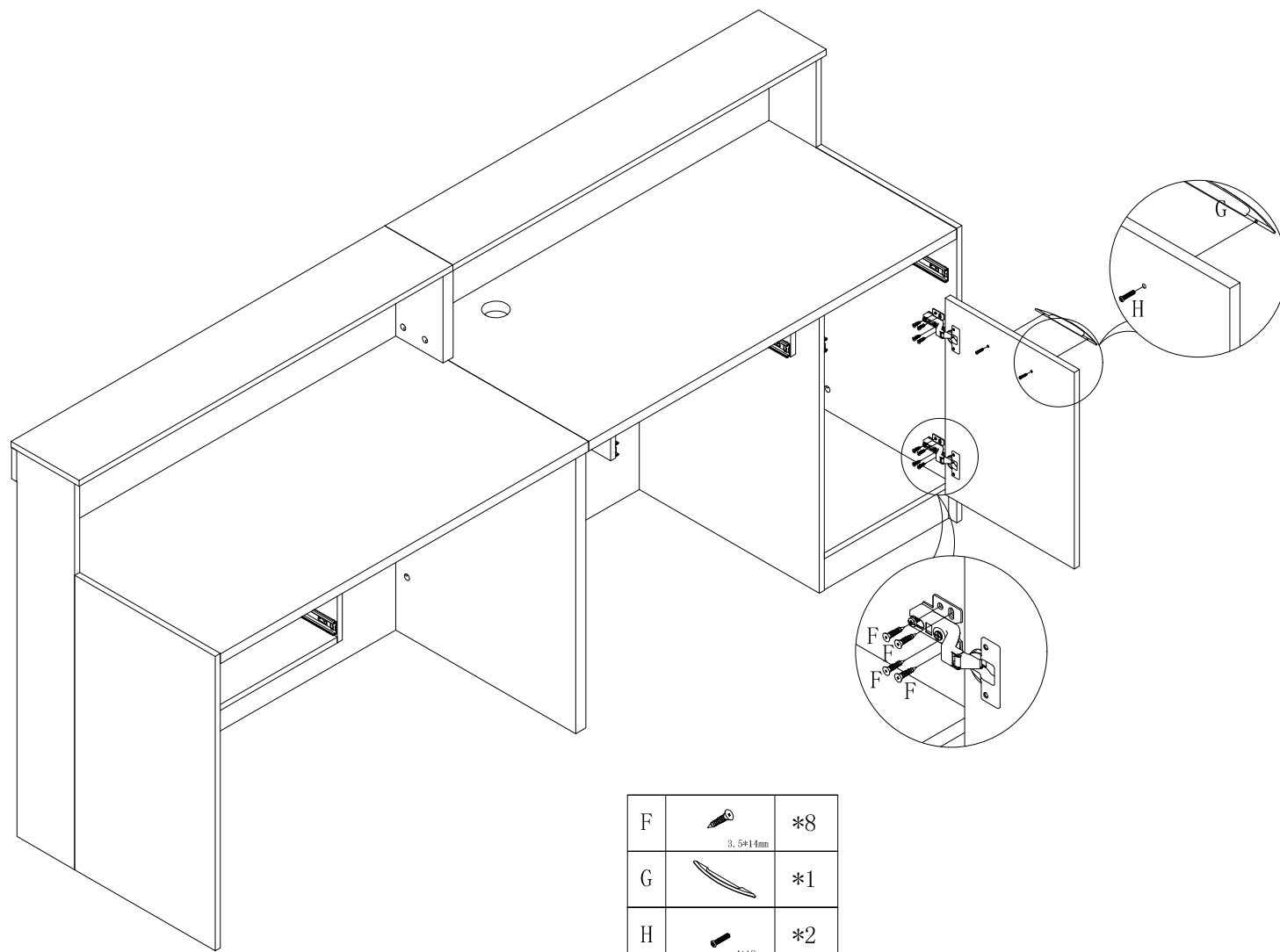


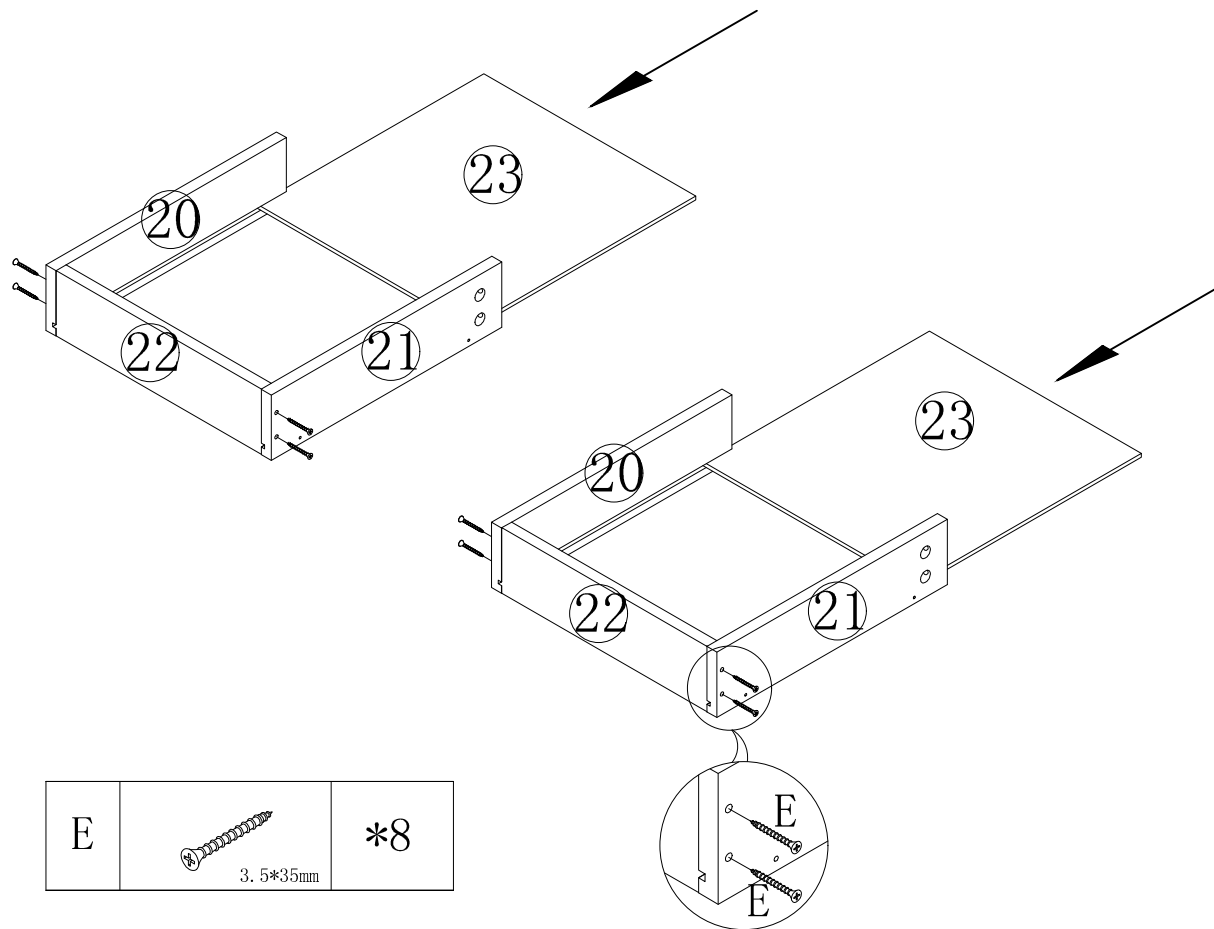


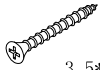
A		*12
B		*12

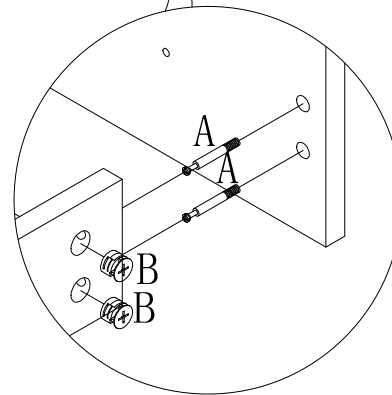
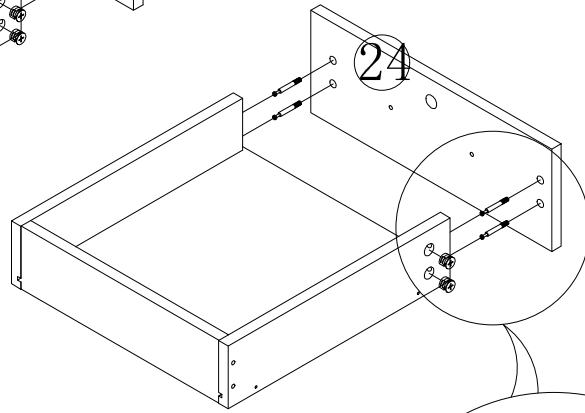
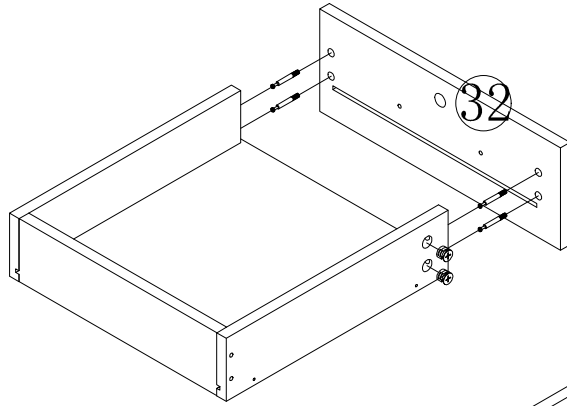




F	 3.5*14mm	*4	J		*2
---	-------------------------------------------------------------------------------------------------	----	---	---------------------------------------------------------------------------------------	----

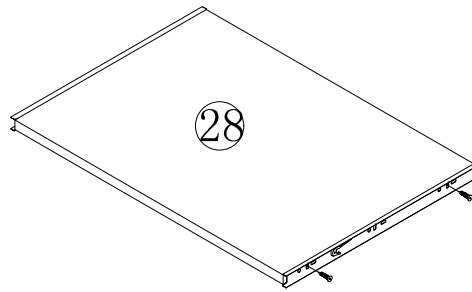
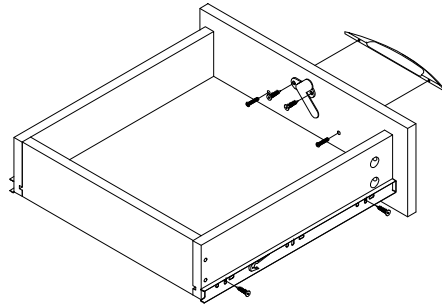








E	 3.5*35mm	*8
---	-------------------------------------------------------------------------------------------------	----



A		*8
B		*8



F	 3.5*14mm	*16
G		*2
H	 4*18mm	*4
K		*2

