







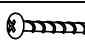




# ASSEMBLY INSTRUCTIONS

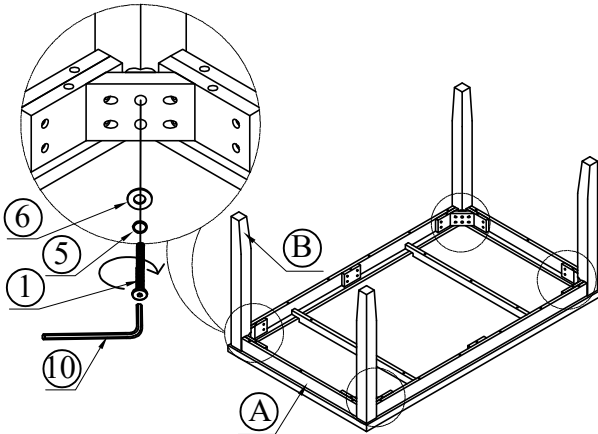
## HARLOW 6PCS DINING SET (1TABLE+4CHAIR+1BENCH)

**KEEP THIS DOCUMENT FOR REFERENCE IN CASE PARTS ARE NEEDED**  
**DO NOT TIGHTEN SCREWS UNTIL COMPLETELY ASSEMBLED !**

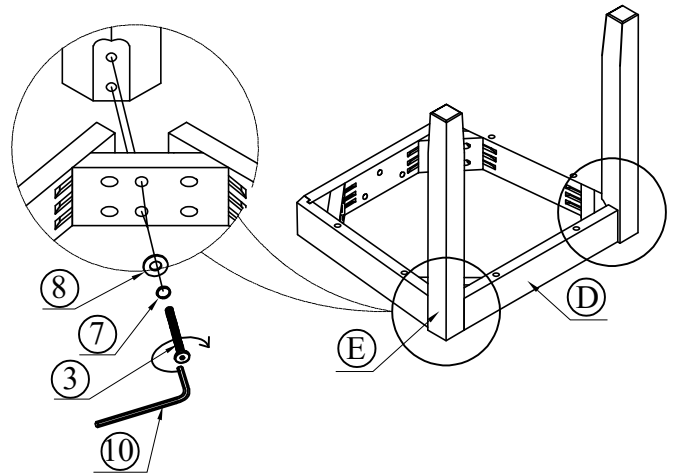
No.	DESCRIPTION	Q'TY
A	TABLE TOP	1pc
B	TABLE LEG	4pcs
C	CHAIR BACK	4pcs
D	CHAIR SEAT FRAME	4pcs
E	CHAIR / BENCH LEG	12pcs
F	CHAIR CUSHION	4pcs
G	BENCH CUSHION	1pc
H	BENCH SEAT FRAME	1pc

No.	DESCRIPTION	Q'TY
1	BOLT  5/16"*75MM	8pcs
2	BOLT  1/4"*85MM	16pcs
3	BOLT  1/4"*65MM	24pcs
4	BOLT  1/4"*45MM	12pcs
5	SPRING WASHER  5/16"	8pcs
6	FLAT WASHER  5/16"	8pcs
7	SPRING WASHER  1/4"	52pcs
8	FLAT WASHER  1/4"	52pcs
9	SCREW  4 x 38MM	32pcs
10	ALLEN KEY  M4	1pc
SCREWDRIVERS(NOT INCLUDED) 		

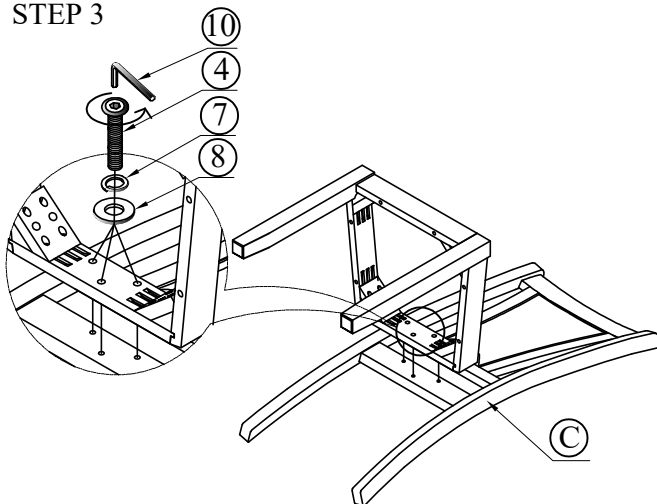
### STEP 1



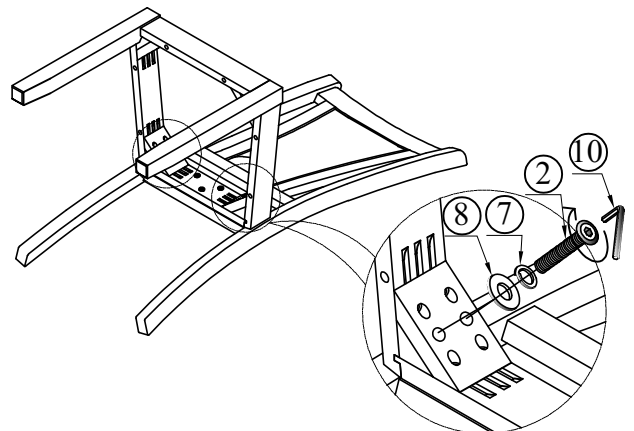
### STEP 2



### STEP 3



### STEP 4

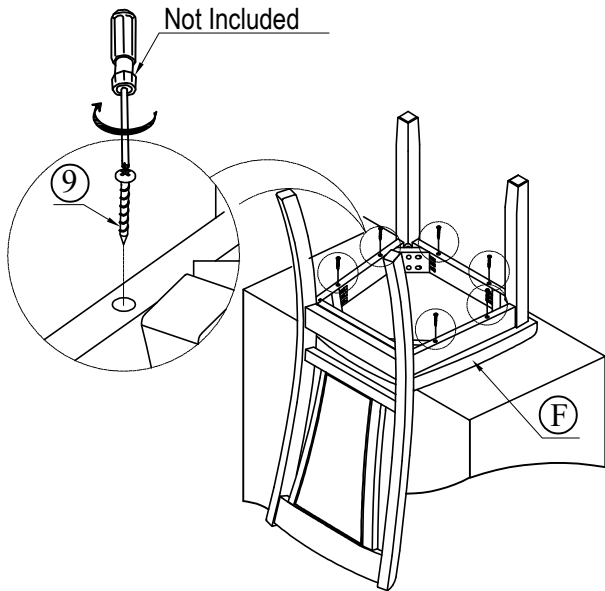


# ASSEMBLY INSTRUCTIONS

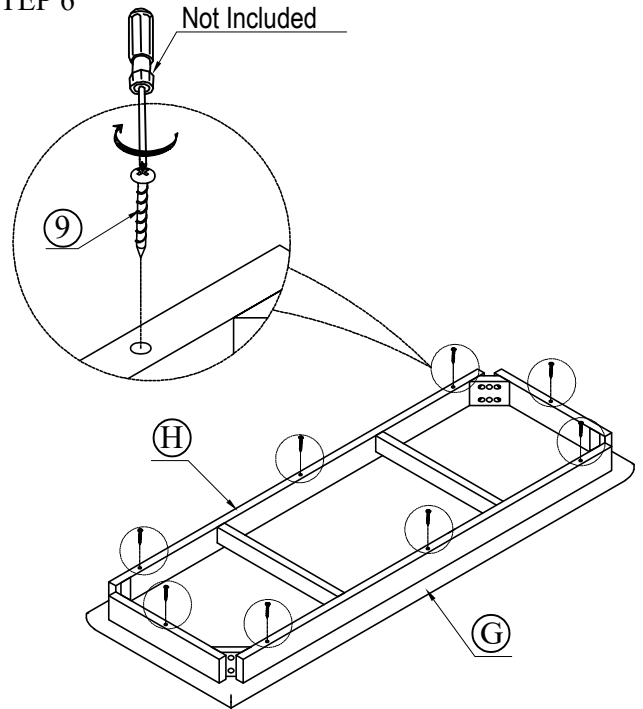
## HARLOW 6PCS DINING SET (1TABLE+4CHAIR+1BENCH)

**KEEP THIS DOCUMENT FOR REFERENCE IN CASE PARTS ARE NEEDED**  
**DO NOT TIGHTEN SCREWS UNTIL COMPLETELY ASSEMBLED !**

STEP 5



STEP 6



STEP 7

