

Assembly Instruction

→ Door Canopy ←





Safety and Care Advice

2

Important – Please read these instructions fully before starting assembly

Check you have all the components and tools listed on pages 3.

Do not stand or put weight on the product during assembly, this could cause damage.

Remove all fittings from the plastic bags and separate them into their groups.

Assemble the item as close to its final position (in the same room) as possible.

Assemble on a soft level surface to avoid damaging the unit or your floor.

Keep children and animals away from the work area, small parts could choke if swallowed.

Make sure you have enough space to layout the parts before starting.

Parts of the assembly will be easier with 2 people.

Dispose of all packaging carefully and responsibly.

Care and maintenance

To avoid any risk of suffocation to animals or children dispose of the plastic bags immediately.

As with all surfaces clean with a damp cloth and mild detergent, do not use bleach or abrasive products.

From time to time check that there are no loose screws on this unit.

This product should not be discarded with household waste. Take to your local authority waste disposal centre.

Safety during use

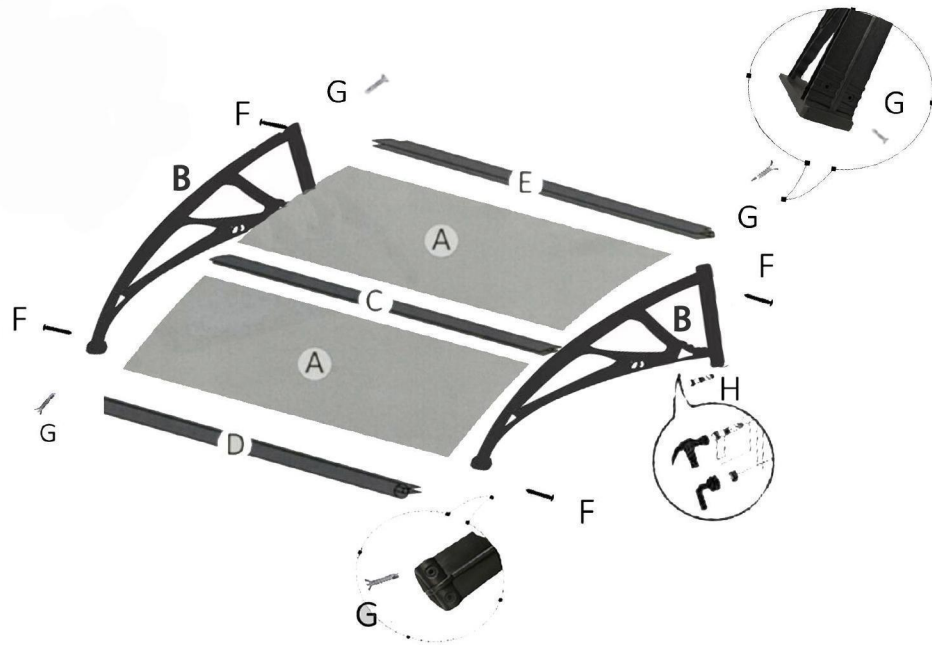
Do not use this canopy unless all bolts, screws and knobs are firmly secured.

Do not stand on this canopy. Do not use this canopy as a step ladder.

At least every 4 months, check all bolts, screws and knobs, to be sure they are tight.

If parts are missing, broken or damaged or worn, stop use of this product until repairs are made & using factory authorized parts.

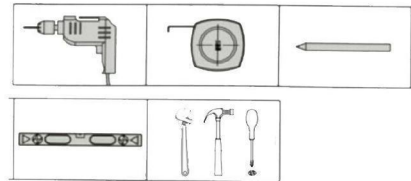
Failure to follow these warnings could result in serious injury.



Part List

A	2X	PC Board	
B	2X	Bracket	
C	1X	H connector	
D	1X	Aluminum Front Bar	
E	1X	Aluminum Back Bar	
F	4X	Screw	
G	4X	Screw	
H	4X	Screw (For Brick Wall)	
I	4X	Screw (For Wooden Wall)	
J	4X	Expand Tube(For Wooden Wall)	

Tools Needed



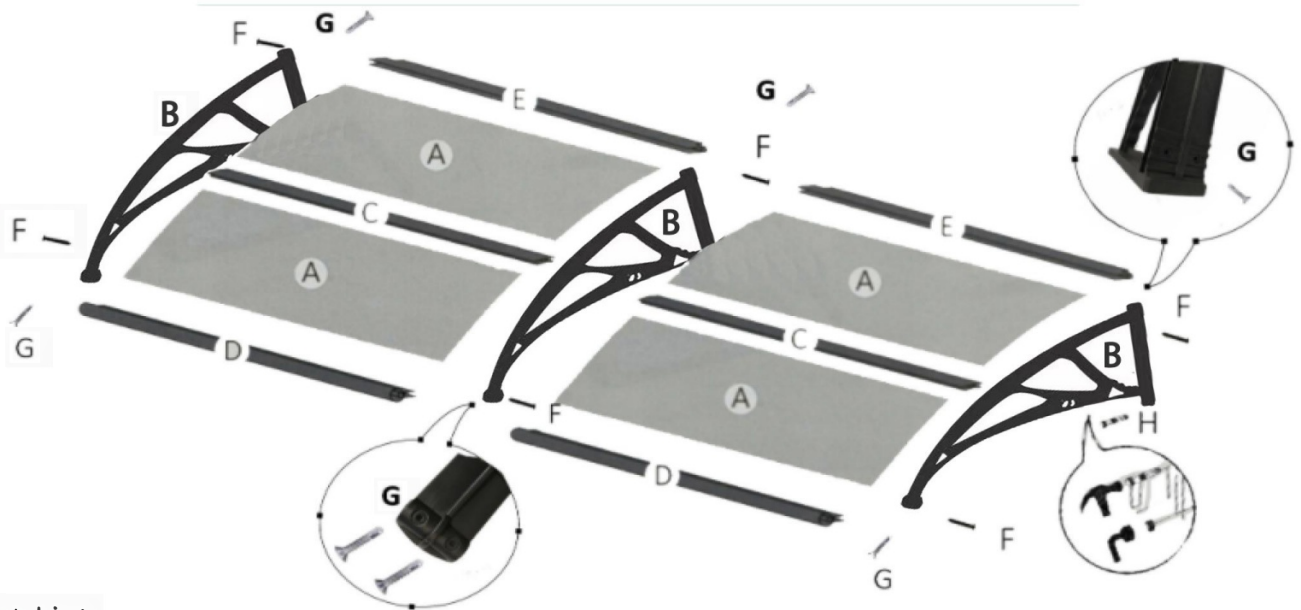
Notes:

*Please ensure that you check all the contents of your delivery packaging against the part list on the enclosed Instruction Manual.

*Keep all the packaging including internal fittings until you have successfully put together and installed your purchase.

Installation Steps :

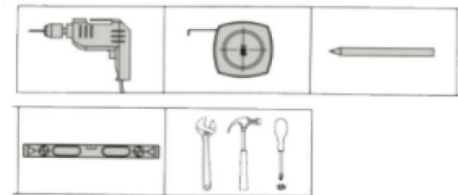
1. Tear off 4 edges of protection film of pc boards(A), connect the boards(A) with H connector(C). Tear off all the protection films only when successfully assembled.
2. Insert aluminum front bar(D) and aluminum back bar (E) to the connected boards, then insert them(D+A+C+A+E) into the gap of brackets(B).
3. Fixed the alu. front bar(D) to brackets(B) with screws (G), fixed the alu. back bar(E) to brackets(B) with screws(F). This steps need a screwdriver.
A Canopy has been assembled.
4. Measure and mark the position of the four holes of barcket bases(B) you need to drill on the wall, and drill the wall to receive the set screws(H/I&J). You will need a 10mm electric drill bit.
5. Insert the set screws(H/I&J) through the bracket holes into the drilled hole in the wall, you will need a hammer to tap the set screws fully into the holes.
6. Use spanner to tighten the set screw(H/I&J), this will tighten the metal collar on the set screw in the wall to expand it to clamp into the wall and fix the canopy into position.



Part List

A	4x	PC Board	
B	3X	Bracket	
C	2X	H connector	
D	2X	Aluminum Front Bar	
E	2X	Aluminum Back Bar	
F	6X	Screw	
G	8X	Screw	
H	6X	Screw (For Brick Wall)	
I	6X	Screw (For Wooden Wall)	
J	6X	Expand Tube(For Wooden Wall)	

Tools Needed



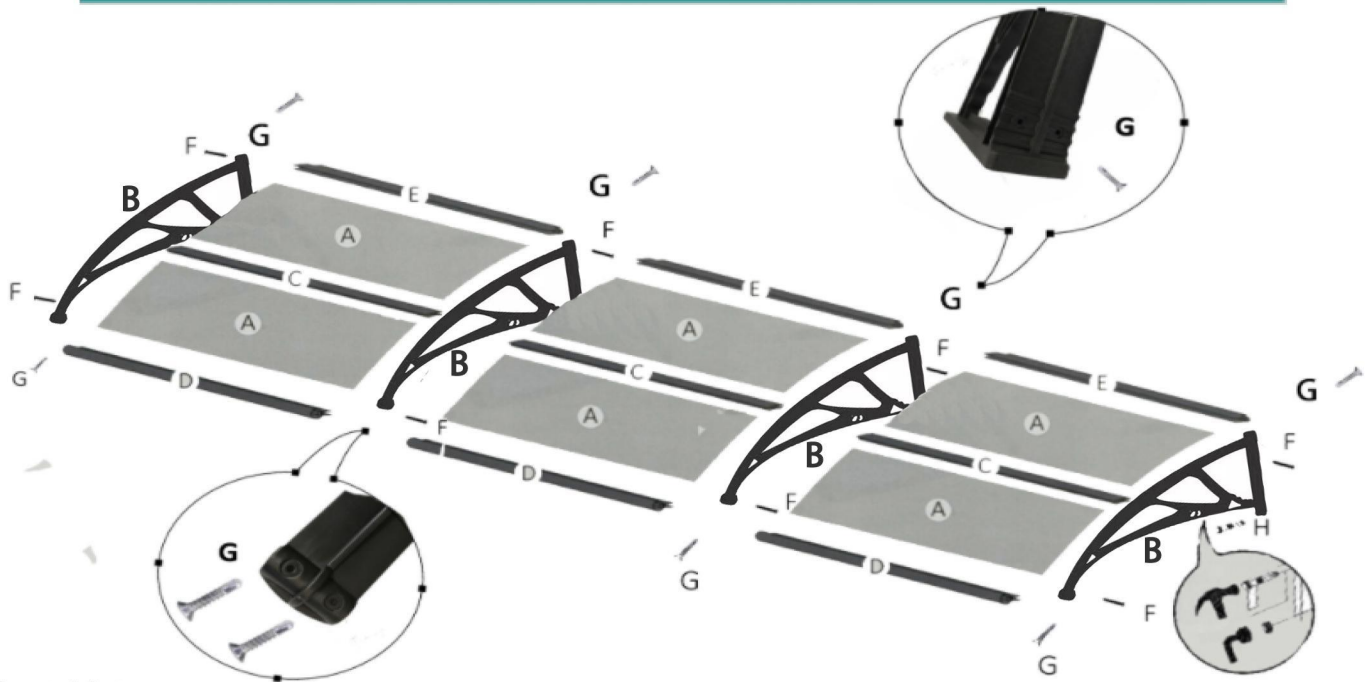
Notes:

*Please ensure that you check all the contents of your delivery packaging against the part list on the enclosed Instruction Manual.

*Keep all the packaging including internal fittings until you have successfully put together and installed your purchase.

Installation Steps :

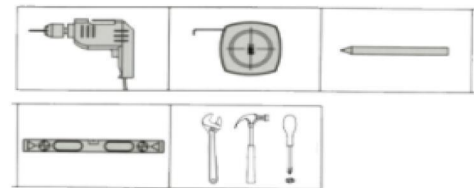
1. Tear off 4 edges of protection film of pc boards(A), connect the boards(A) with H connector(C). Tear off all the protection films only when successfully assambled.
2. Insert aluminum front bar(D) and aluminum back bar (E) to the connected boards, then insert them(D+A+C+A+E) into the gap of brackets(B).
3. Fixed the alu. front bar(D) to brackets(B) with screws (G), fixed the alu. back bar(E) to brackets(B) with screws(F). This steps need a screwdriver.
A Canopy has been assembled.
4. Measure and mark the position of the four holes of barcket bases(B) you need to drill on the wall, and drill the wall to receive the set screws(H/I&J). You will need a 10mm electric drill bit.
5. Insert the set screws(H/I&J) through the bracket holes into the drilled hole in the wall, you will need a hammer to tap the set screws fully into the holes.
6. Use spanner to tighten the set screw(H/I&J), this will tighten the metal collar on the set screw in the wall to expand it to clamp into the wall and fix the canopy into position.



Part List

A	6X	PC Board	
B	4X	Bracket	
C	3X	H connector	
D	3X	Aluminum Front Bar	
E	3X	Aluminum Back Bar	
F	8X	Screw	
G	12X	Screw	
H	8X	Screw (For Brick Wall)	
I	8X	Screw (For Wooden Wall)	
J	8X	Expand Tube (For Wooden Wall)	

Tools Needed

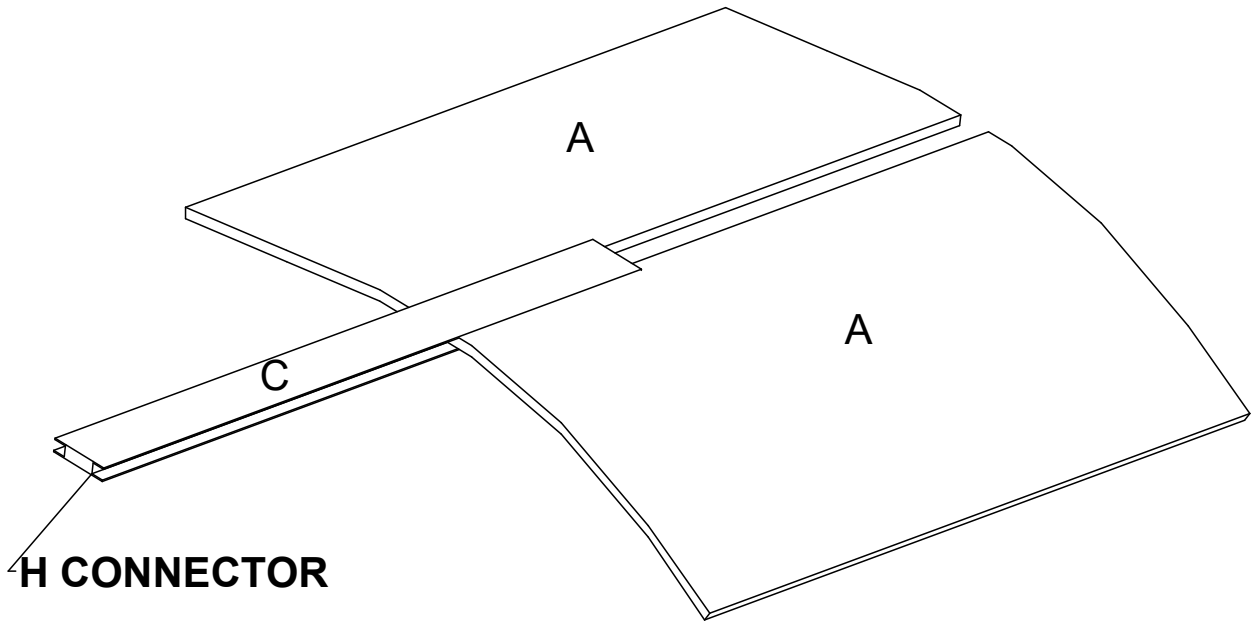


Notes:

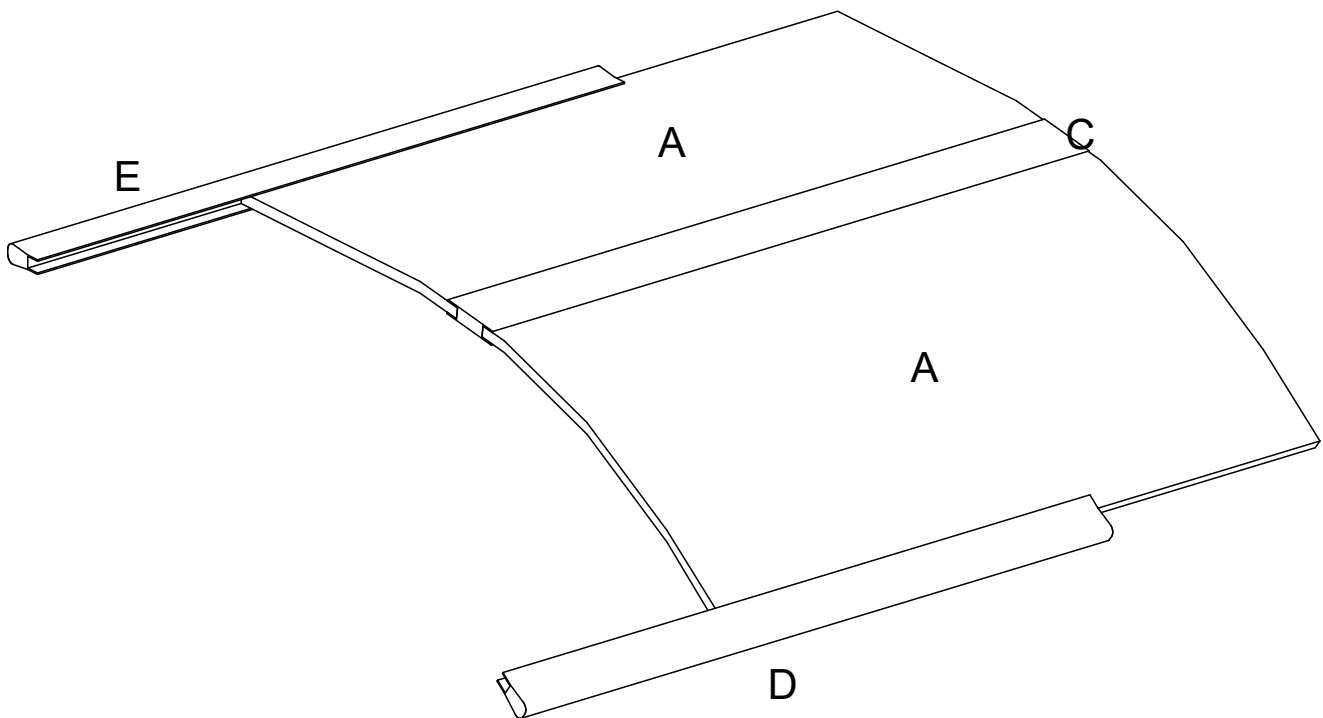
- *Please ensure that you check all the contents of your delivery packaging against the part list on the enclosed Instruction Manual.
- *Keep all the packaging including internal fittings until you have successfully put together and installed your purchase.

Installation Steps :

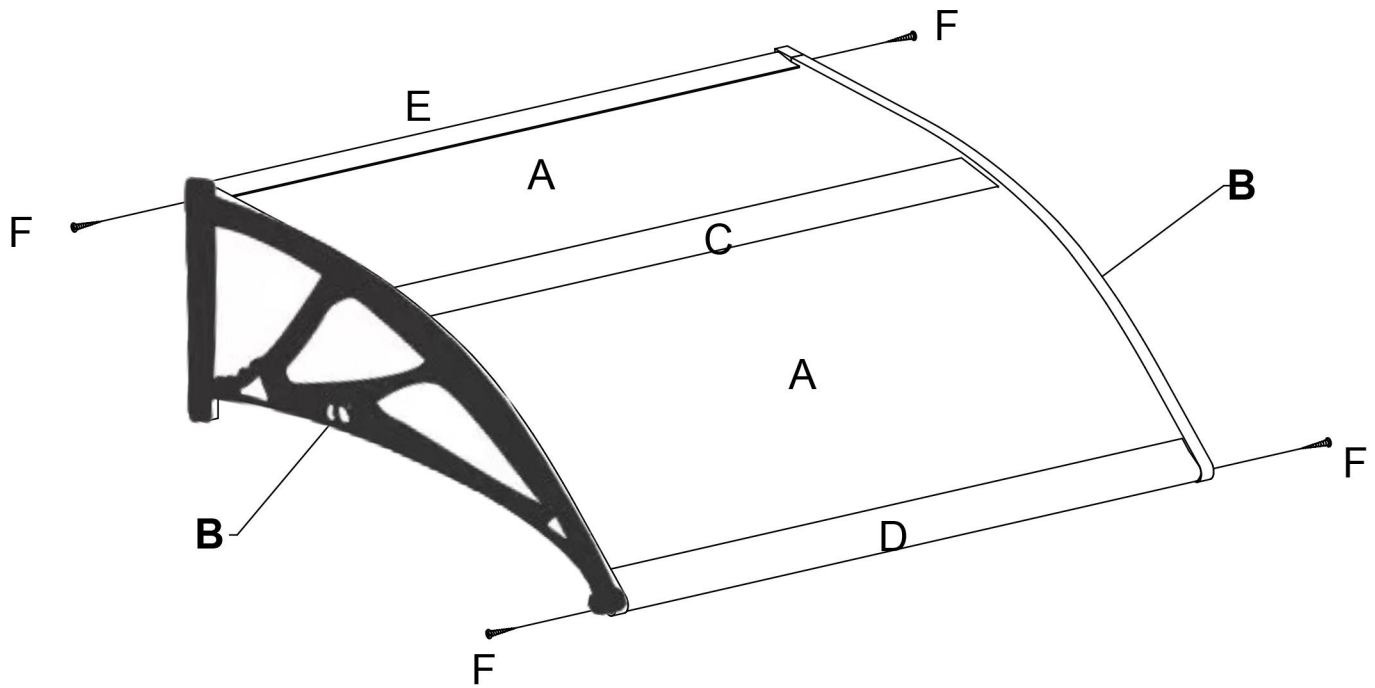
1. Tear off 4 edges of protection film of pc boards(A), connect the boards(A) with H connector(C). Tear off all the protection films only when successfully assembled.
2. Insert aluminum front bar(D) and aluminum back bar (E) to the connected boards, then insert them(D+A+C+A+E) into the gap of brackets(B).
3. Fixed the alu. front bar(D) to brackets(B) with screws (G), fixed the alu. back bar(E) to brackets(B) with screws(F). This steps need a screwdriver.
A Canopy has been assembled.
4. Measure and mark the position of the four holes of barcket bases(B) you need to drill on the wall, and drill the wall to receive the set screws(H/I&J). You will need a 10mm electric drill bit.
5. Insert the set screws(H/I&J) through the bracket holes into the drilled hole in the wall, you will need a hammer to tap the set screws fully into the holes.
6. Use spanner to tighten the set screw(H/I&J), this will tighten the metal collar on the set screw in the wall to expand it to clamp into the wall and fix the canopy into position.



1. Tear off 4 edges of protection film of pc boards(A), connect the boards(A) with H connector(C).Tear off all the protection films only when successfully assambled.

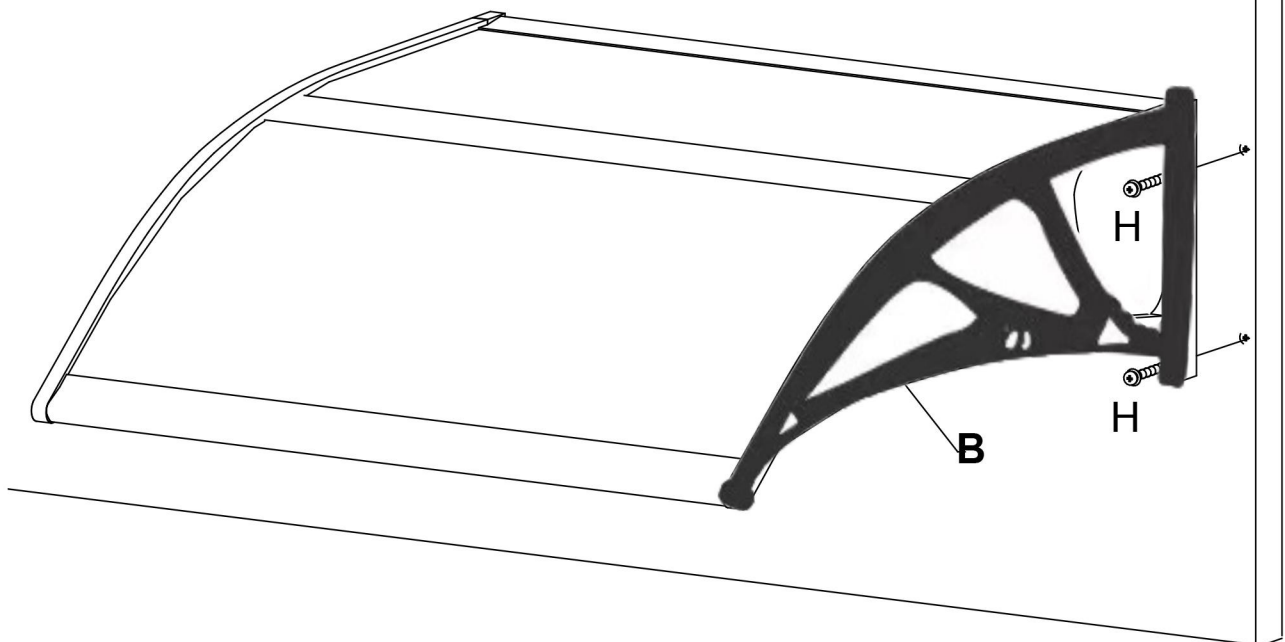


2. Insert aluminum front bar(D) and aluminum back bar (E) to the boards, then insert them(D+A+E) into the gap of brackets(B).



3. Fixed the alu. front bar(D) to brackets(B) with screws (F), fixed the alu. back bar(E) to brackets(B) with screws(F). This steps need a screwdriver. A Canopy has been assembled.

STEP 4



4. Measure and mark the position of the four holes of barcket bases(B) you need to drill on the wall, and drill the wall to receive the set screws(H/I&J). You will need a 10mm electric drill bit.
5. Insert the set screws(H/I&J) through the bracket holes into the drilled hole in the wall, you will need a hammer to tap the set screws fully into the holes.
6. Use spanner to tighten the set screw(H/I&J), this will tighten the metal collar on the set screw in the wall to expand it to clamp into the wall and fix the canopy into position.