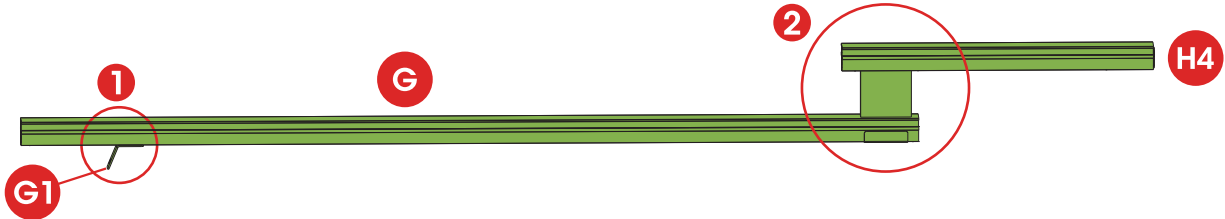
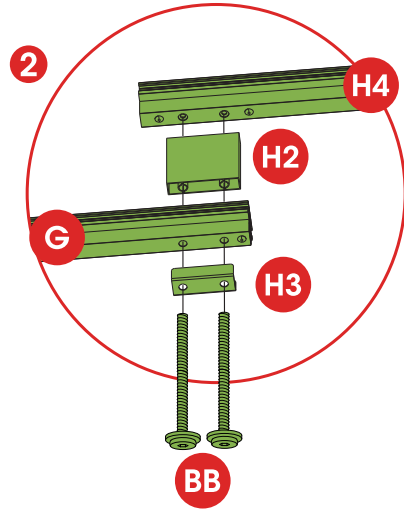
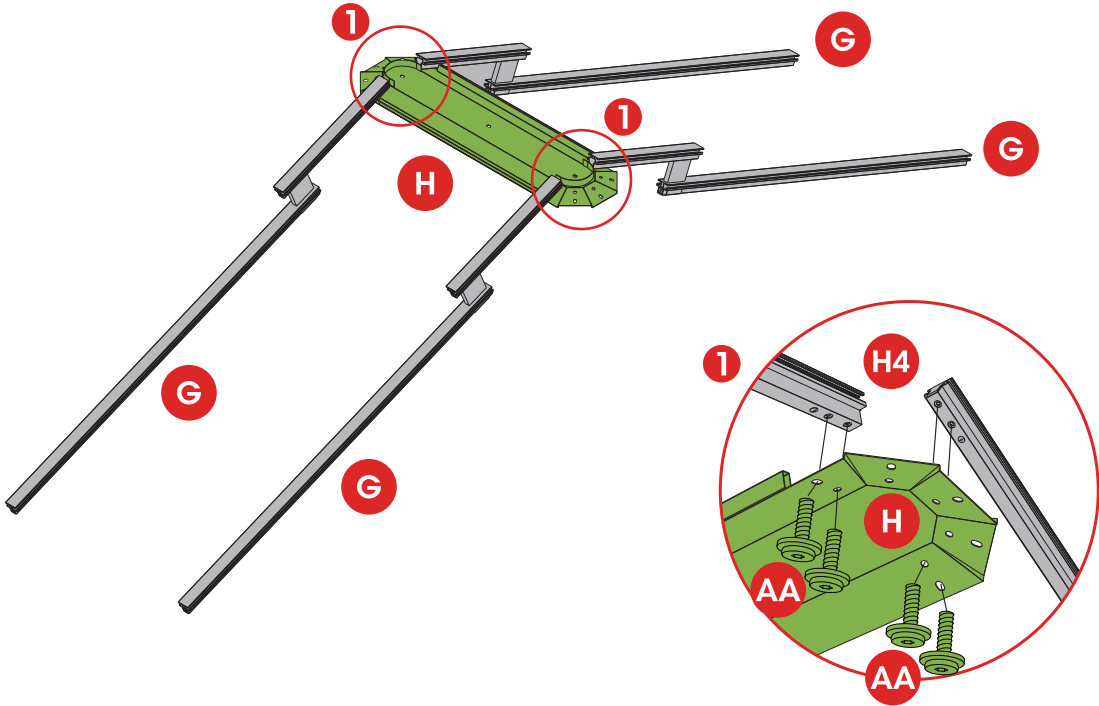


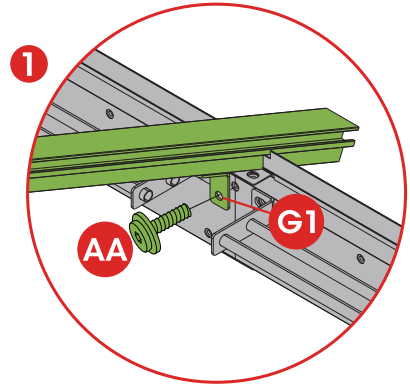
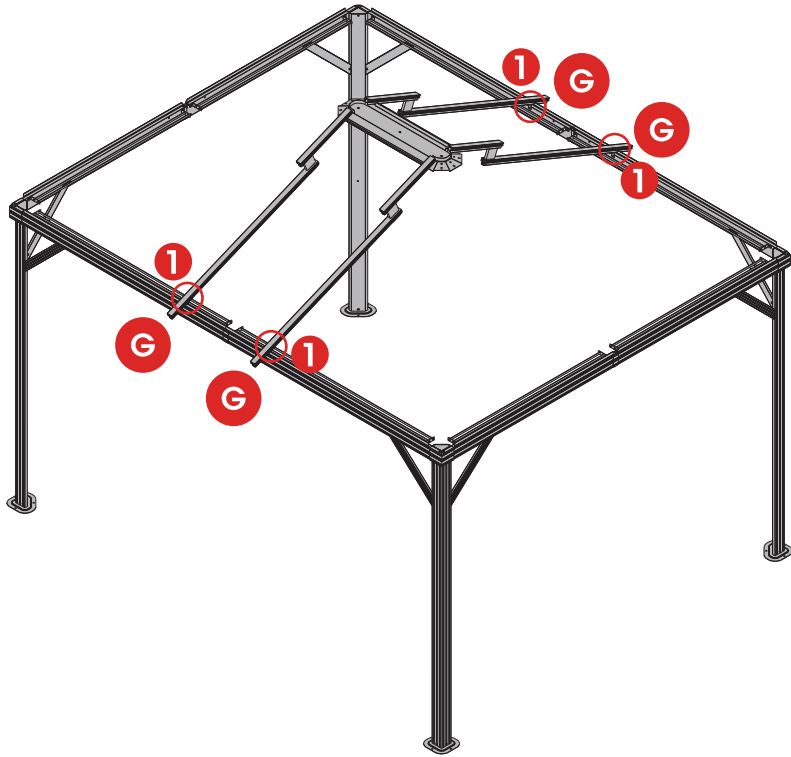
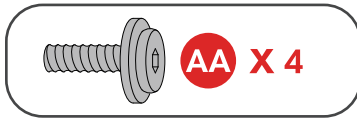
x6

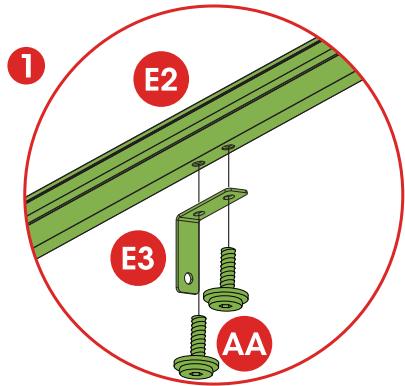
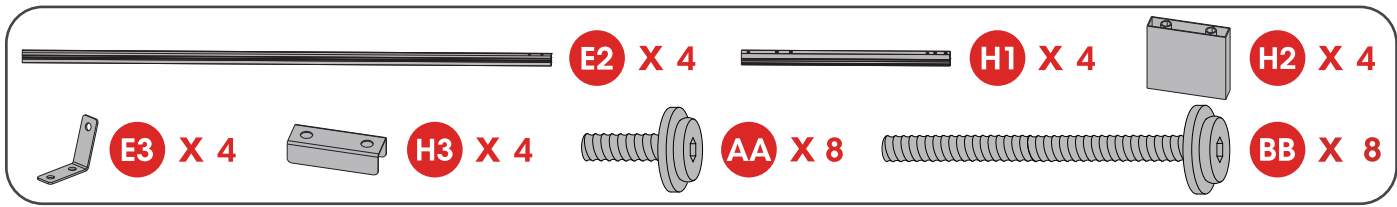


12

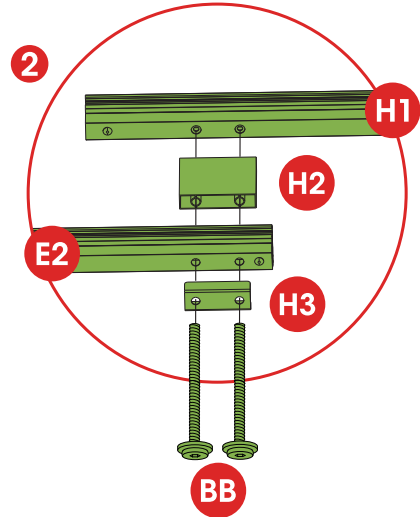


13

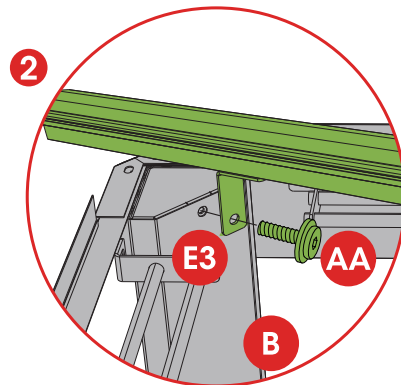
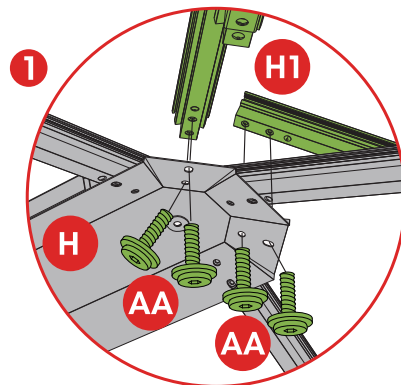
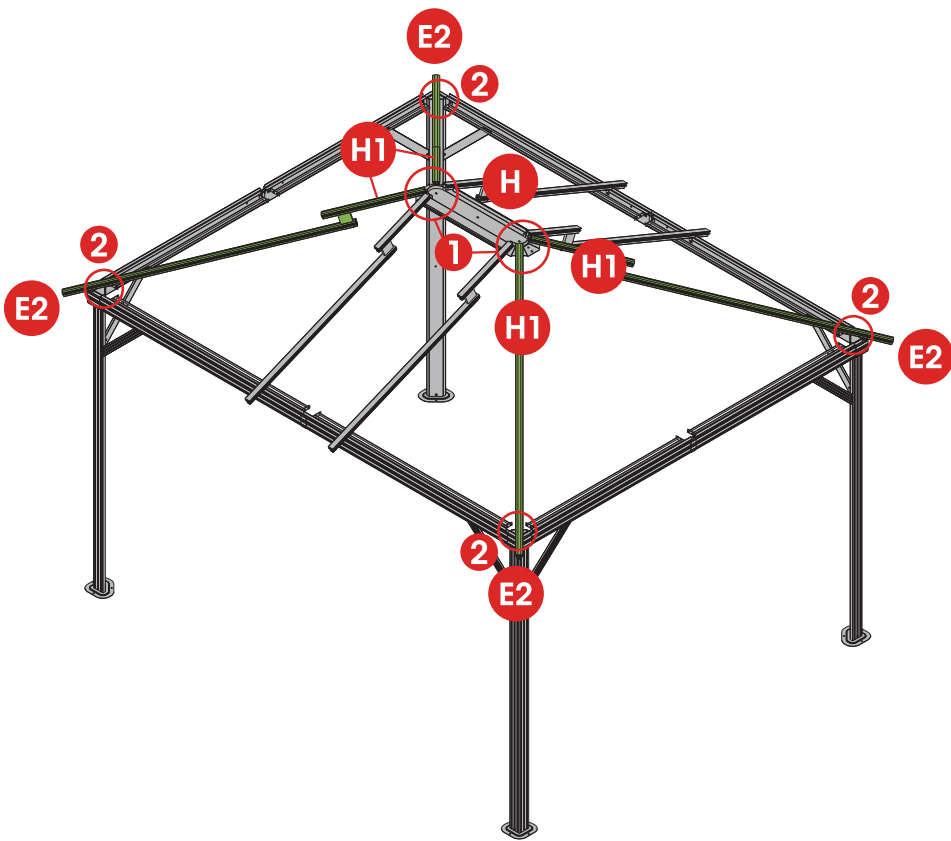
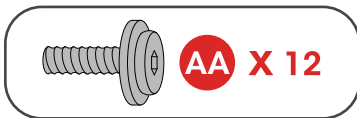




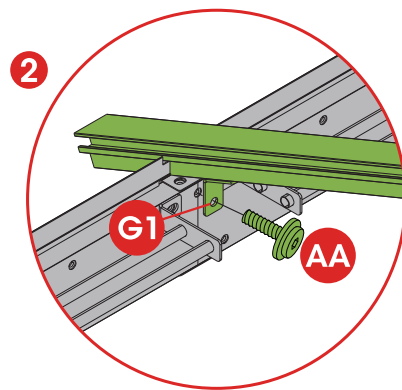
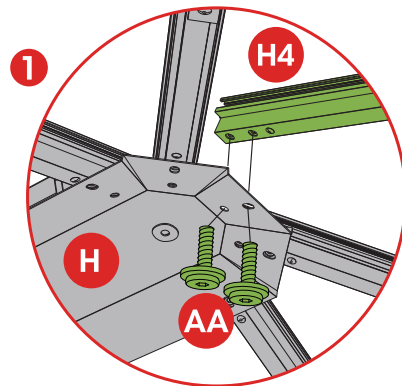
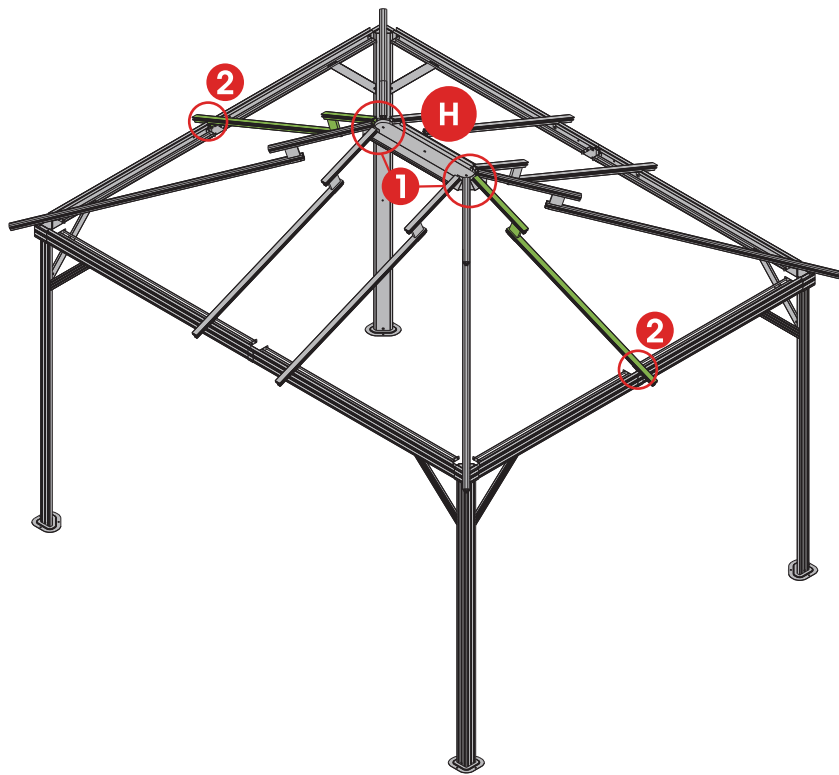
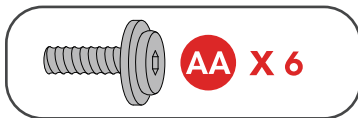
x4

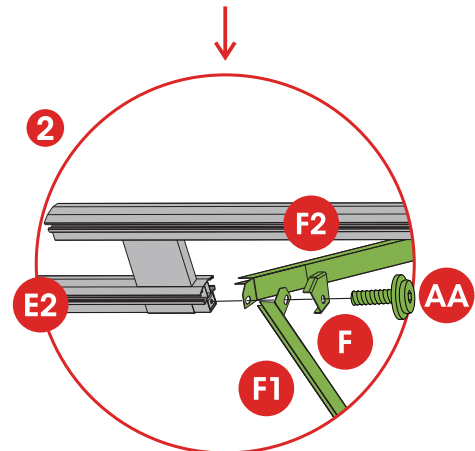
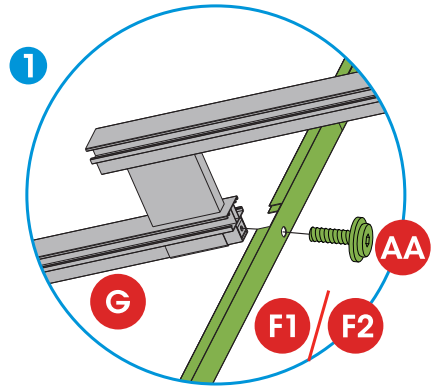
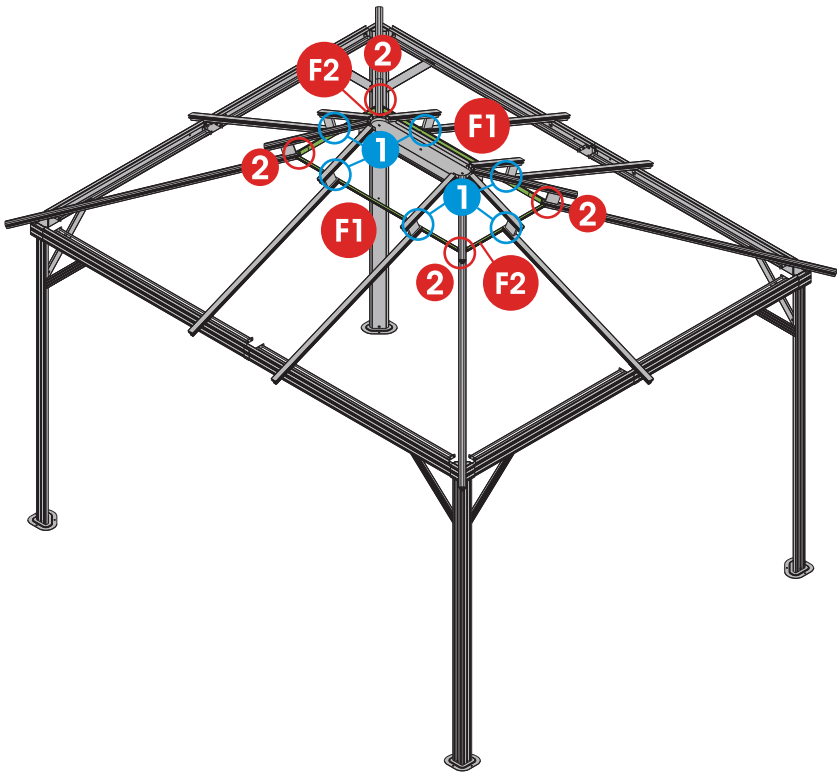
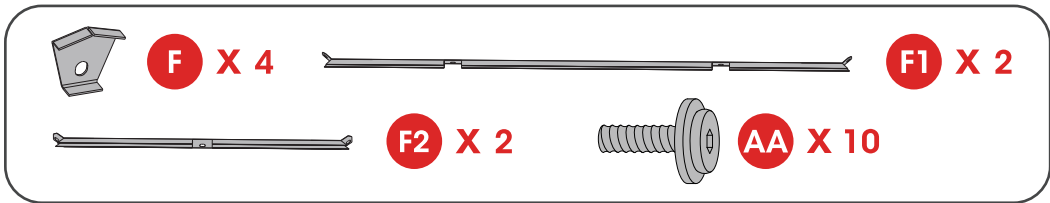


15

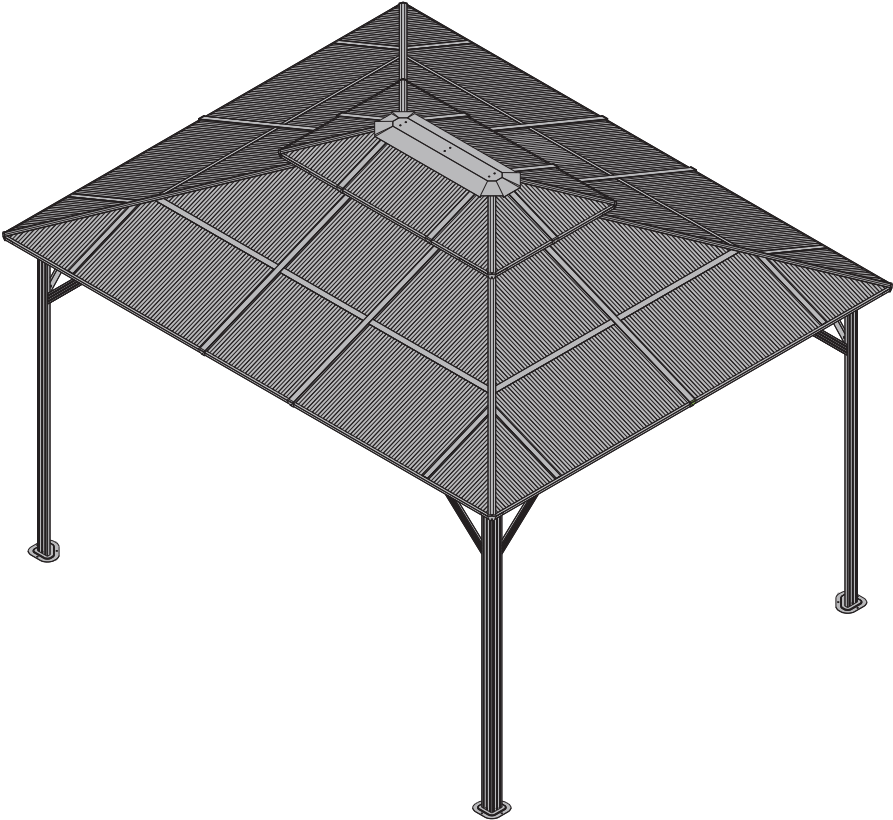


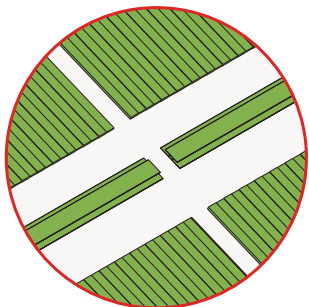
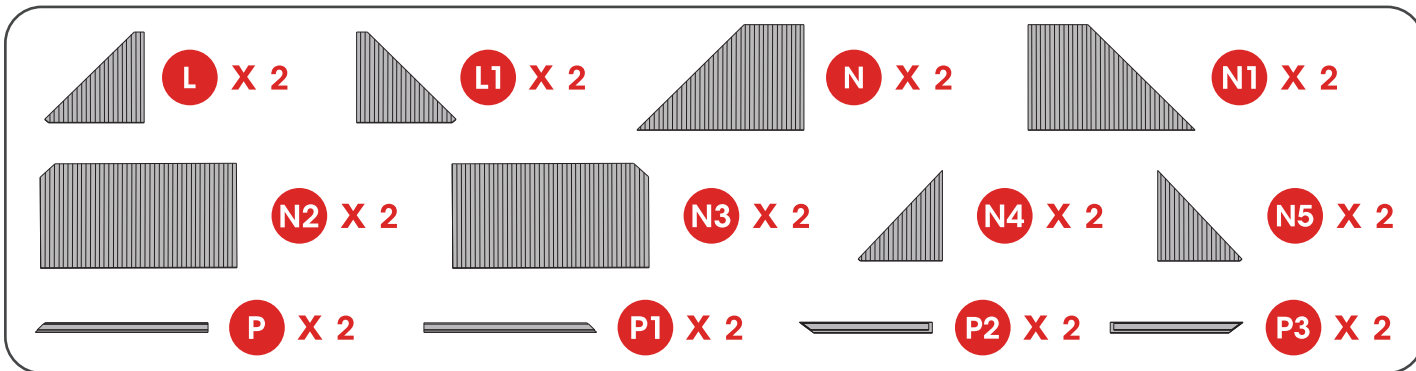
16



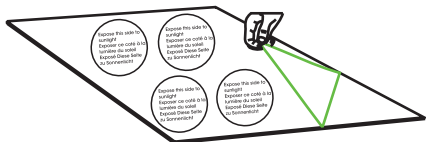


# Part 5

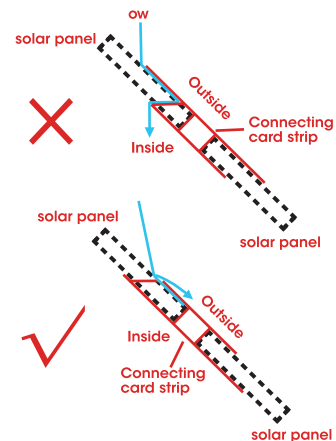
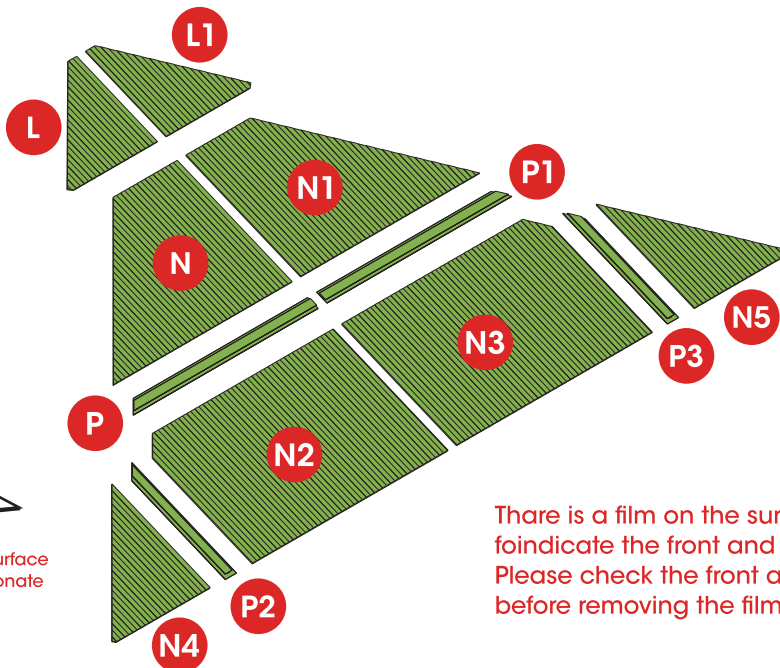




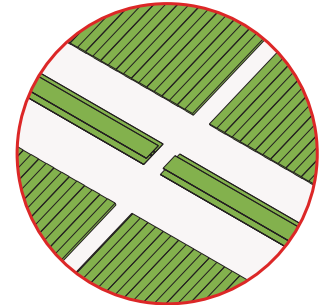
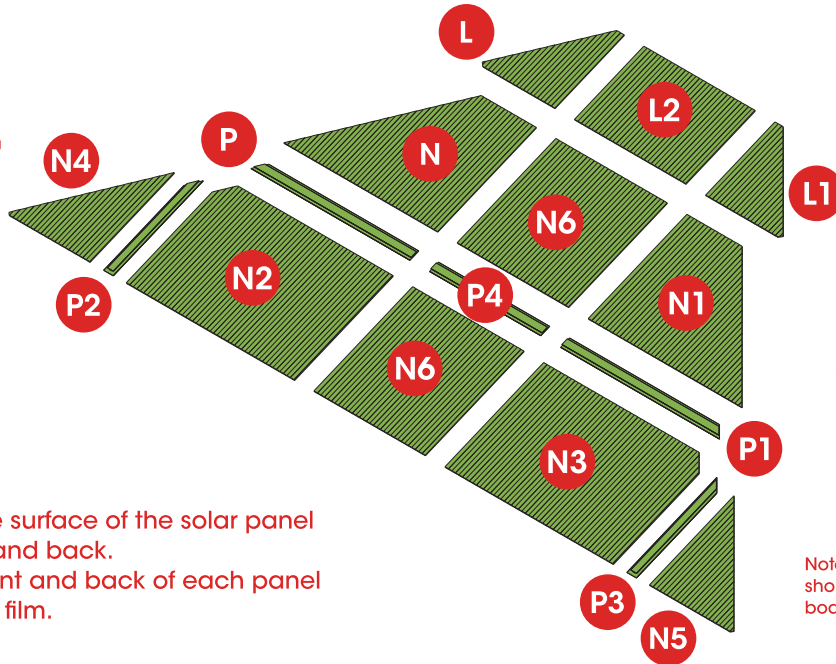
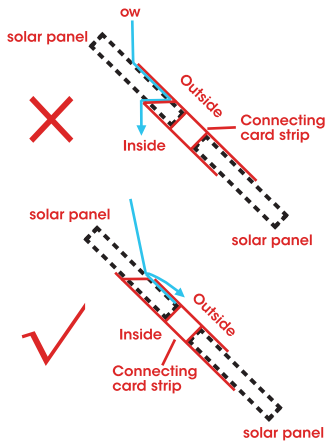
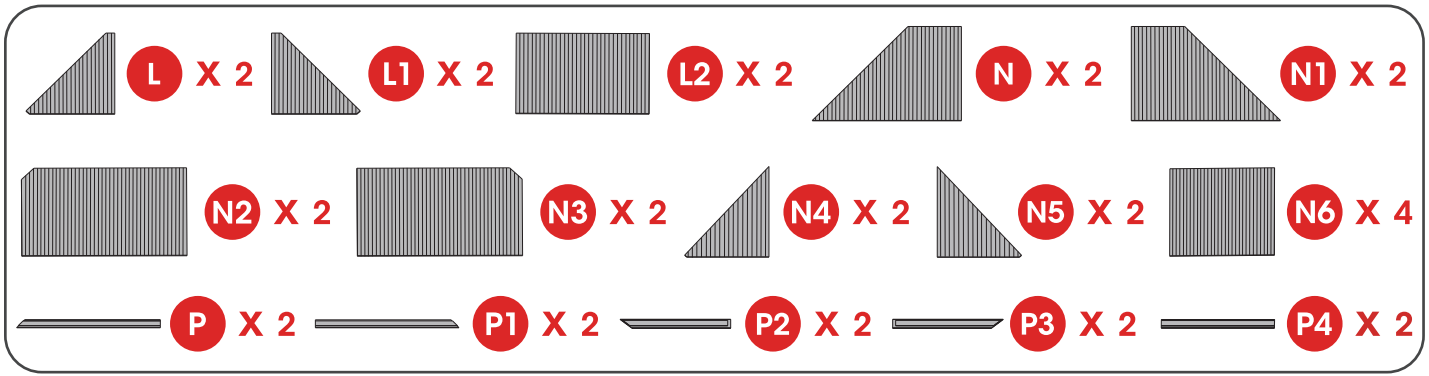
**! Remove the protective film**



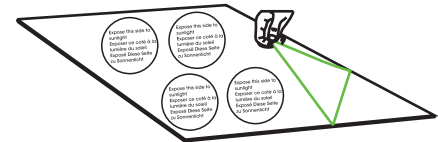
Note: When installing the product, the anti-UV surface should face outwards, preventing the polycarbonate board from aging and making it more durable.



There is a film on the surface of the solar panel foindicate the front and back. Please check the front and back of each panel before removing the film.

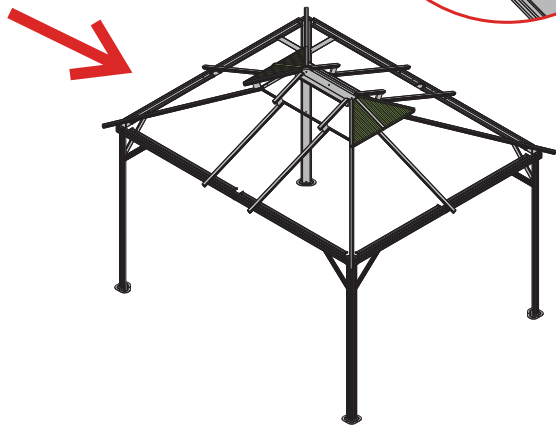
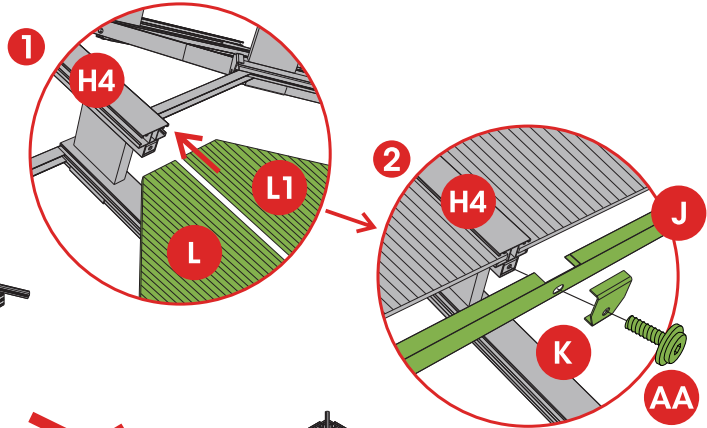
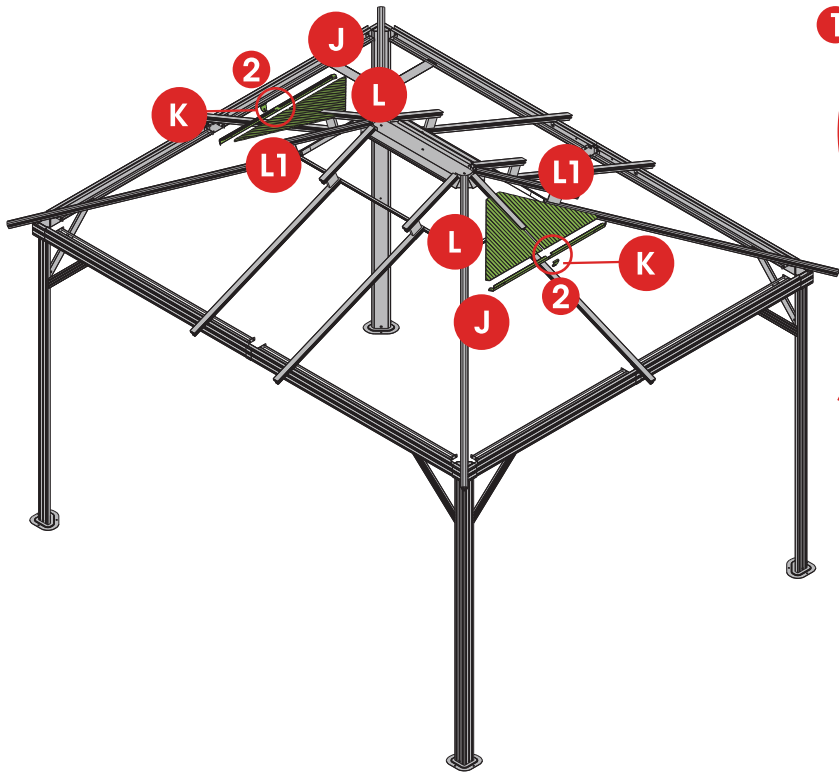
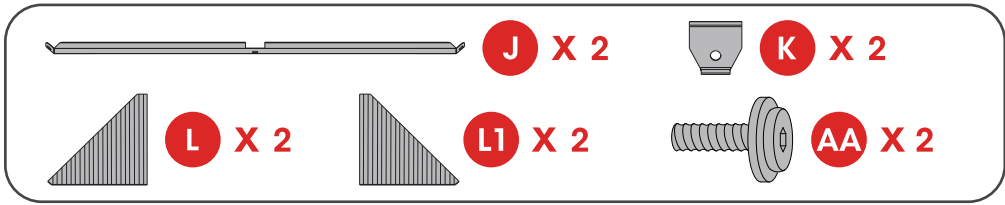


**! Remove the protective film**



There is a film on the surface of the solar panel foindicate the front and back.  
Please check the front and back of each panel before removing the film.

Note: When installing the product, the anti-UV surface should face outwards, preventing the polycarbonate board from aging and making it more durable.



21

