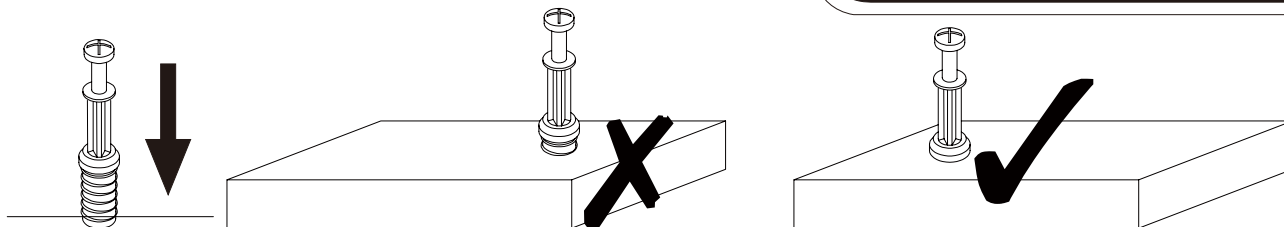
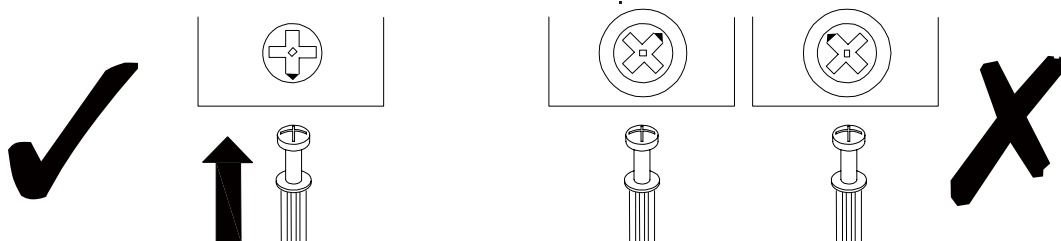


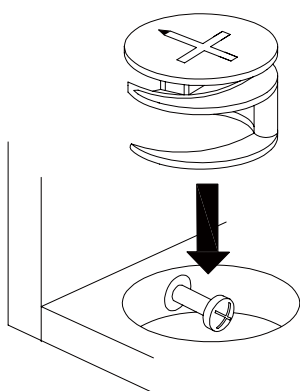
EN_IMPORTANT, RETAIN FOR FUTURE REFERENCE: READ CAREFULLY.



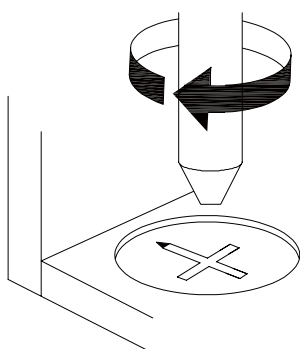
EN_QUICKFIT: Tighten quickfit until shoulder is flush with panel. Do not overtighten or undertighten.



EN_CAM LOCK: When fitting cam lock, ensure starting position is correct before you insert connecting quickfit.

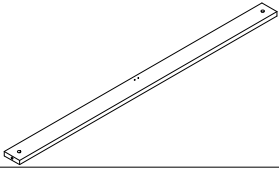
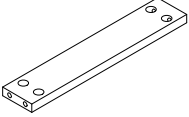
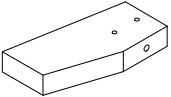
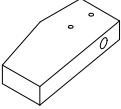
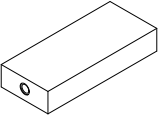
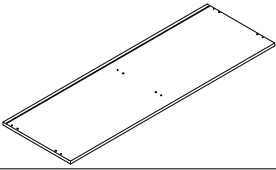
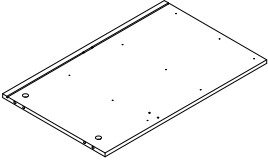
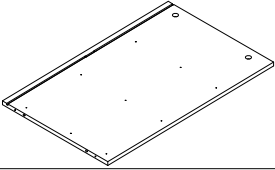
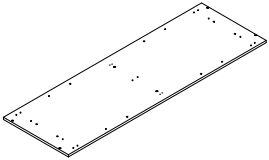
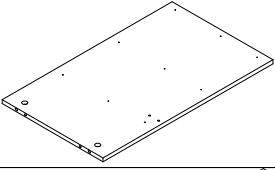
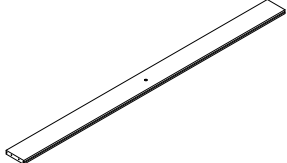


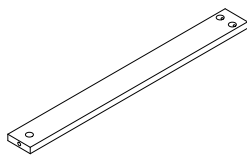
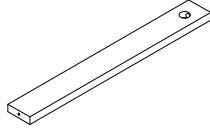
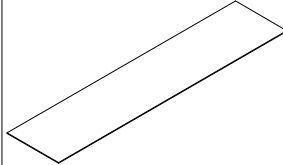
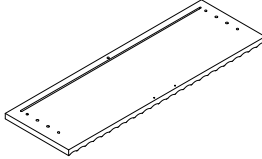
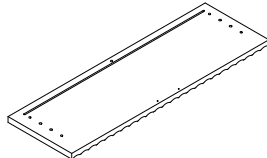
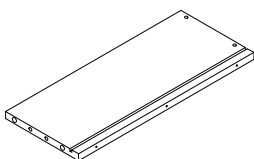
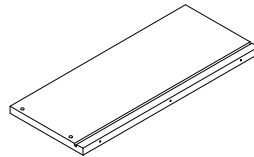
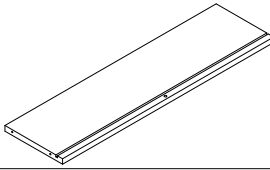
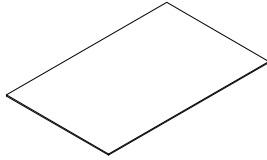

EN_Quickfit head should be in the centre of the cam lock when the two panels are joined.
Cam lock should be inserted before quickfit.

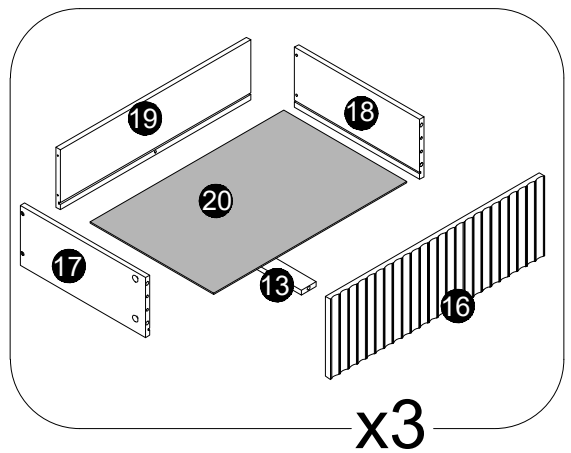
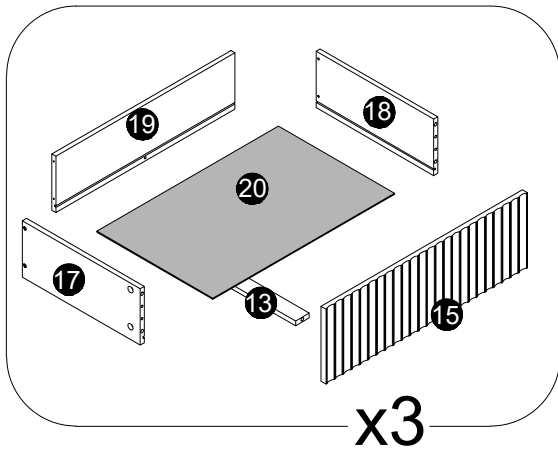
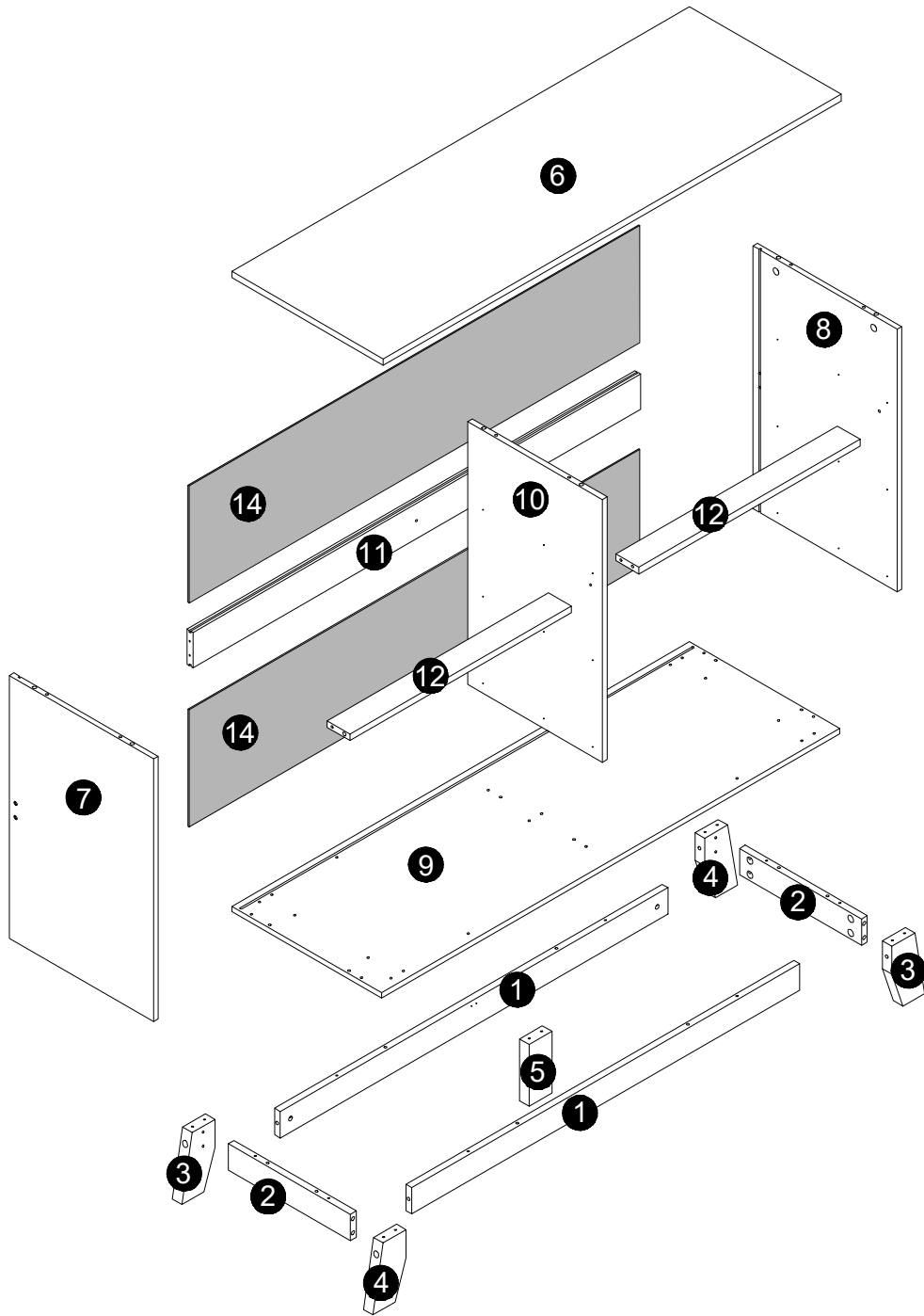


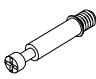


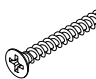

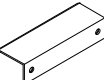





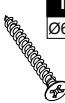
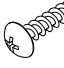
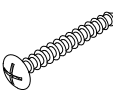
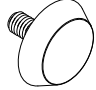
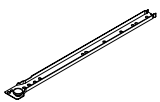
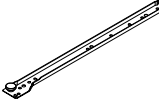
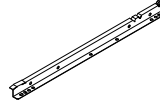
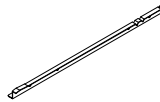
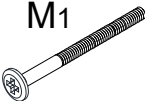

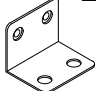
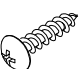
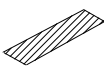

EN_Turn cam lock clockwise to tighten.

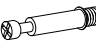



PACKING DELALS

NO.	PARTS	QTY	SPARE
①		x2	
②		x2	
③		x2	
④		x2	
⑤		x1	
⑥		x1	
⑦		x1	
⑧		x1	
⑨		x1	
⑩		x1	
⑪		x1	

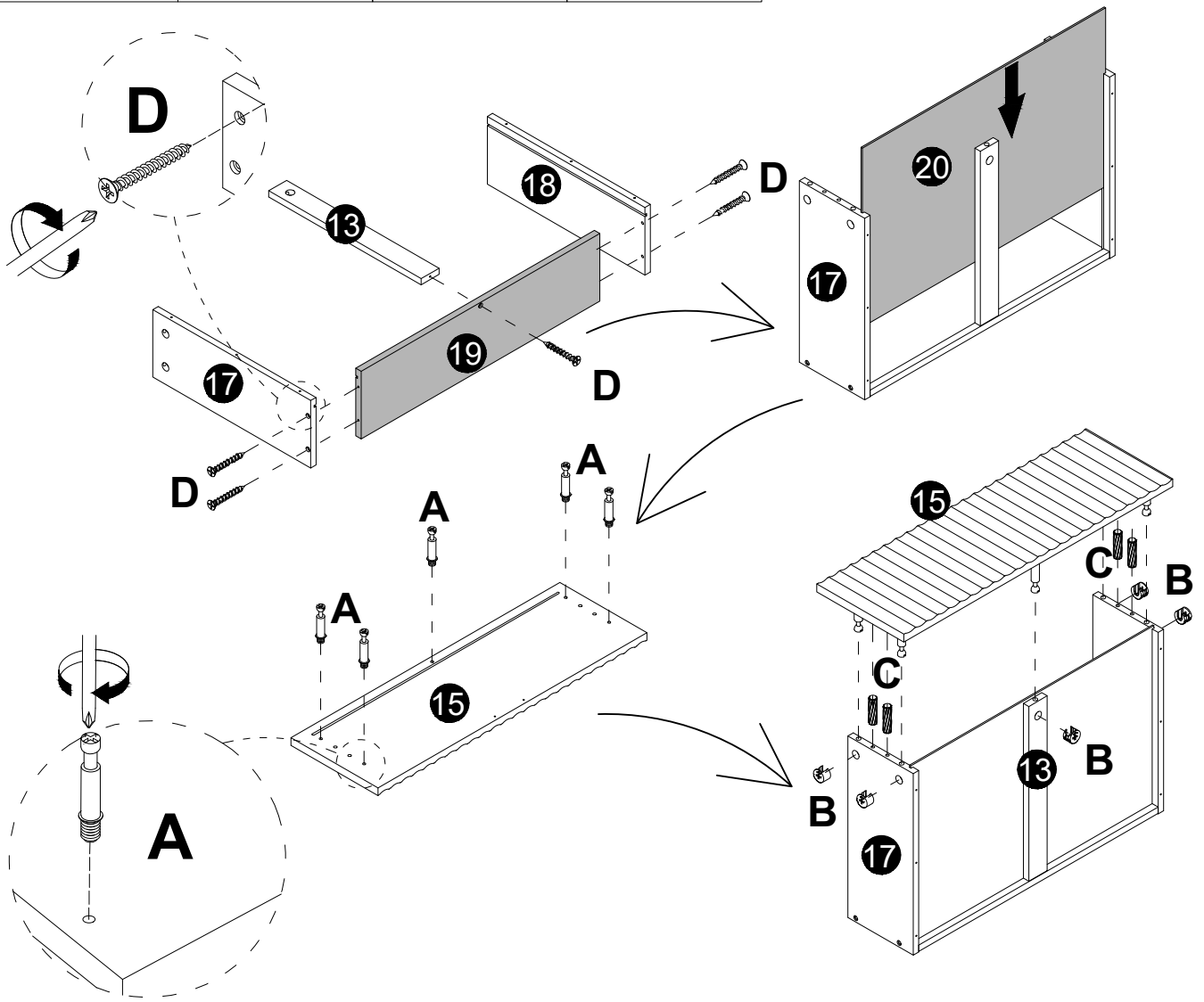
NO.	PARTS	QTY	SPARE
⑫		x2	
⑬		x6	
⑭		x2	
⑮		x3	
⑯		x3	
⑰		x6	
⑱		x6	
⑲		x6	
⑳		x6	
			
	Hardware Kit		

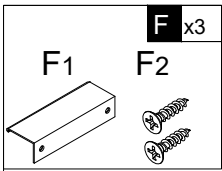


 A x50 Ø6x35mm +3(spare)	 B x50 Ø15x10mm +3(spare)	 C x44 Ø6x30mm +3(spare)	 D x41 Ø4x35mm +3(spare)	 E x72 Ø3.5x12mm +5(spare)	 F1	 F2 x6	
 G x2	 H1	 H2 x10 Ø3x16mm +1(spare)	 I1	 I2 x2 Ø6x30mm	 J x2 Ø4x14mm	 K x18 Ø5x35mm +1(spare)	 L x1
 CL x6 L350mm	 CR x6 L350mm	 DL x6 L350mm	 DR x6 L350mm	 M1	 M2 x4	 N x2	
 O x8 Ø4x12mm	 P x4	 Q x8					

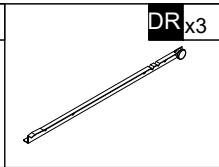
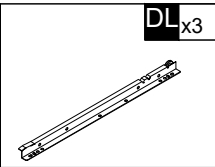
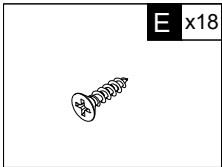
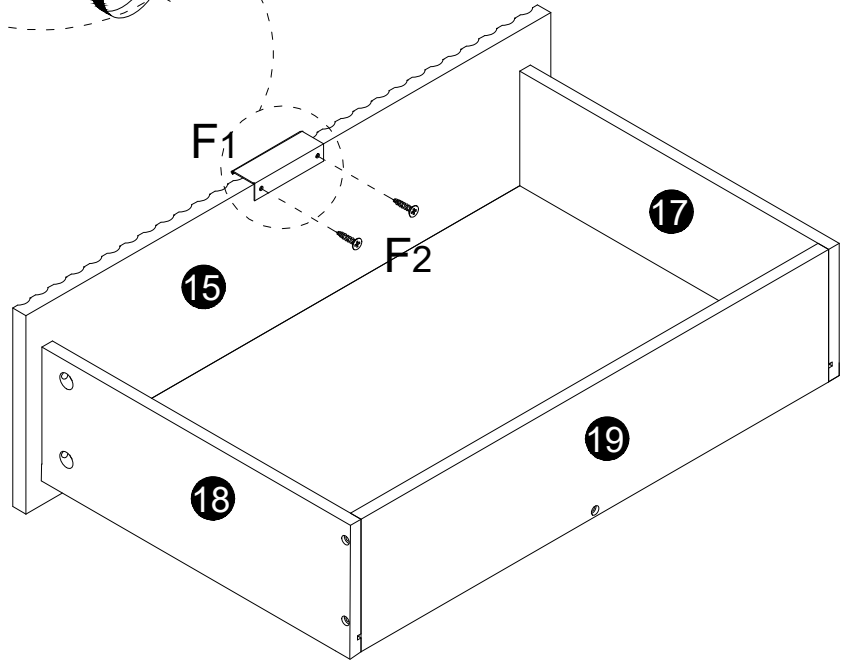
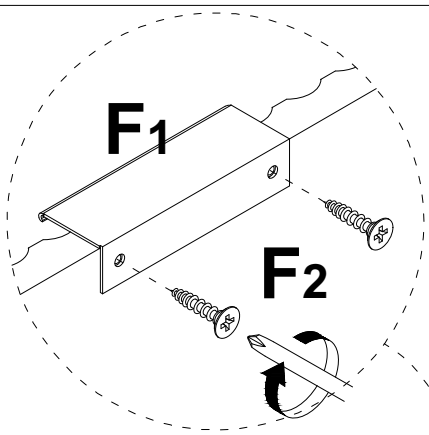
 A x15	 B x15	 D x15	 C x12
---	--	---	---

x3 **01**

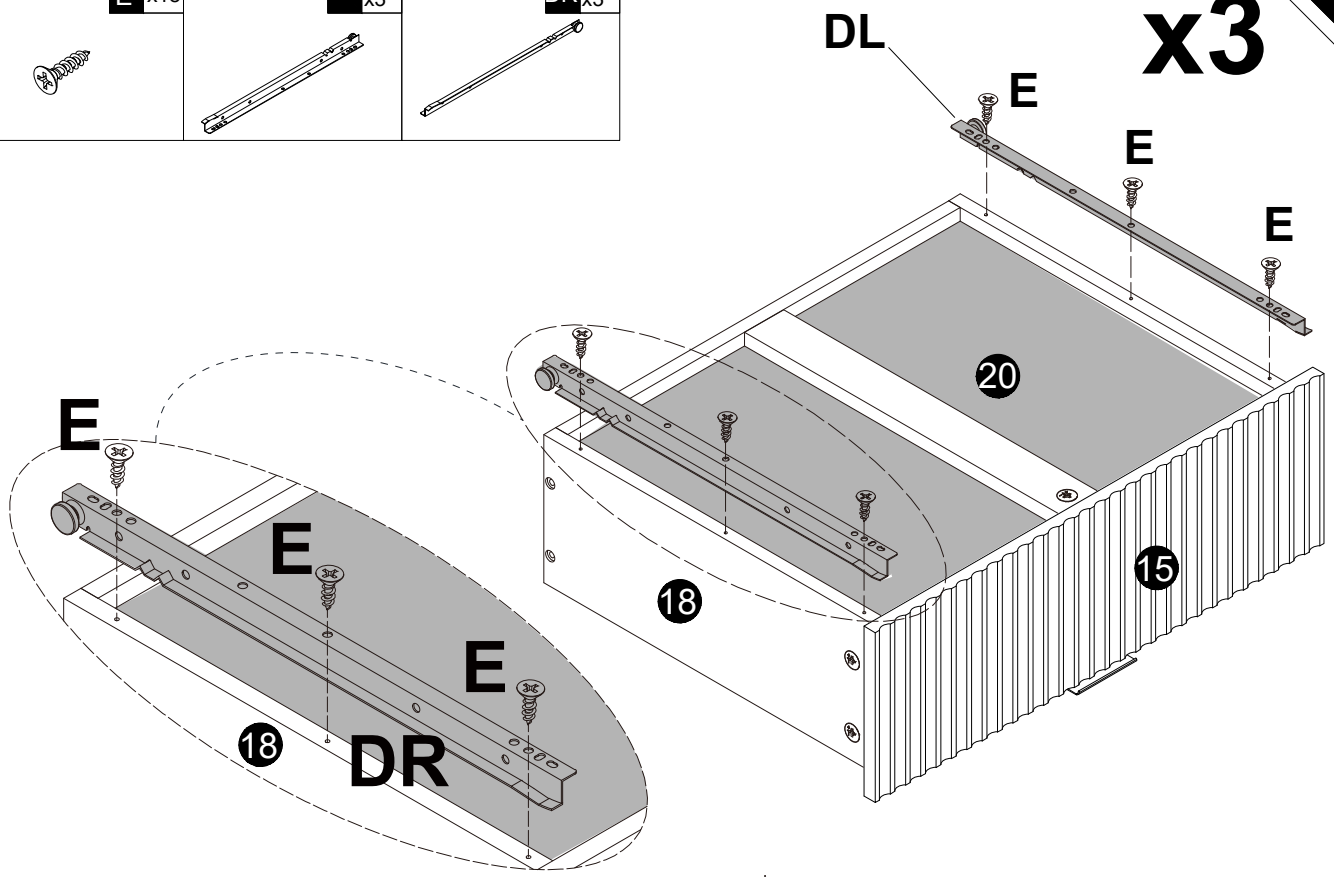


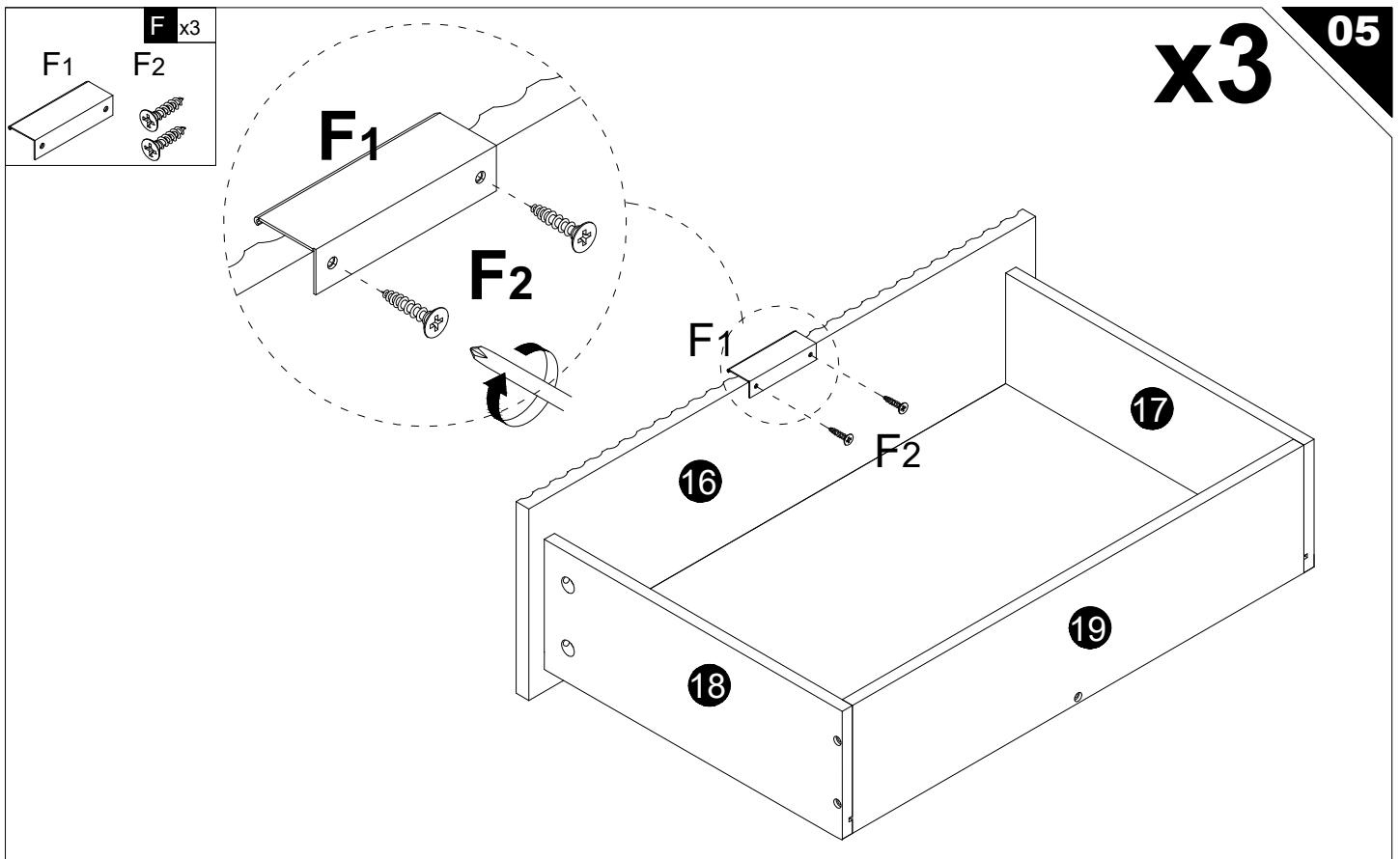
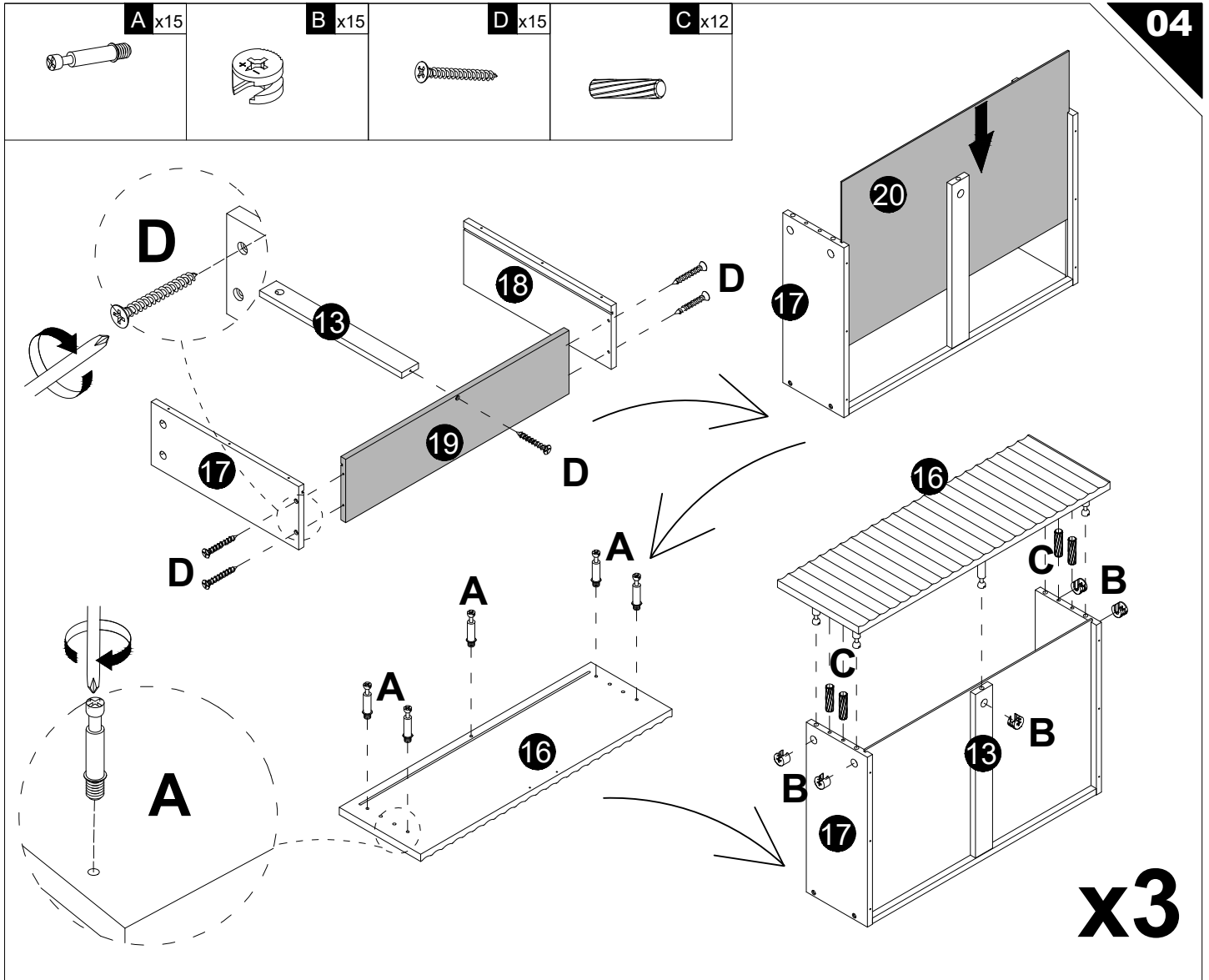


x3 02



x3 03





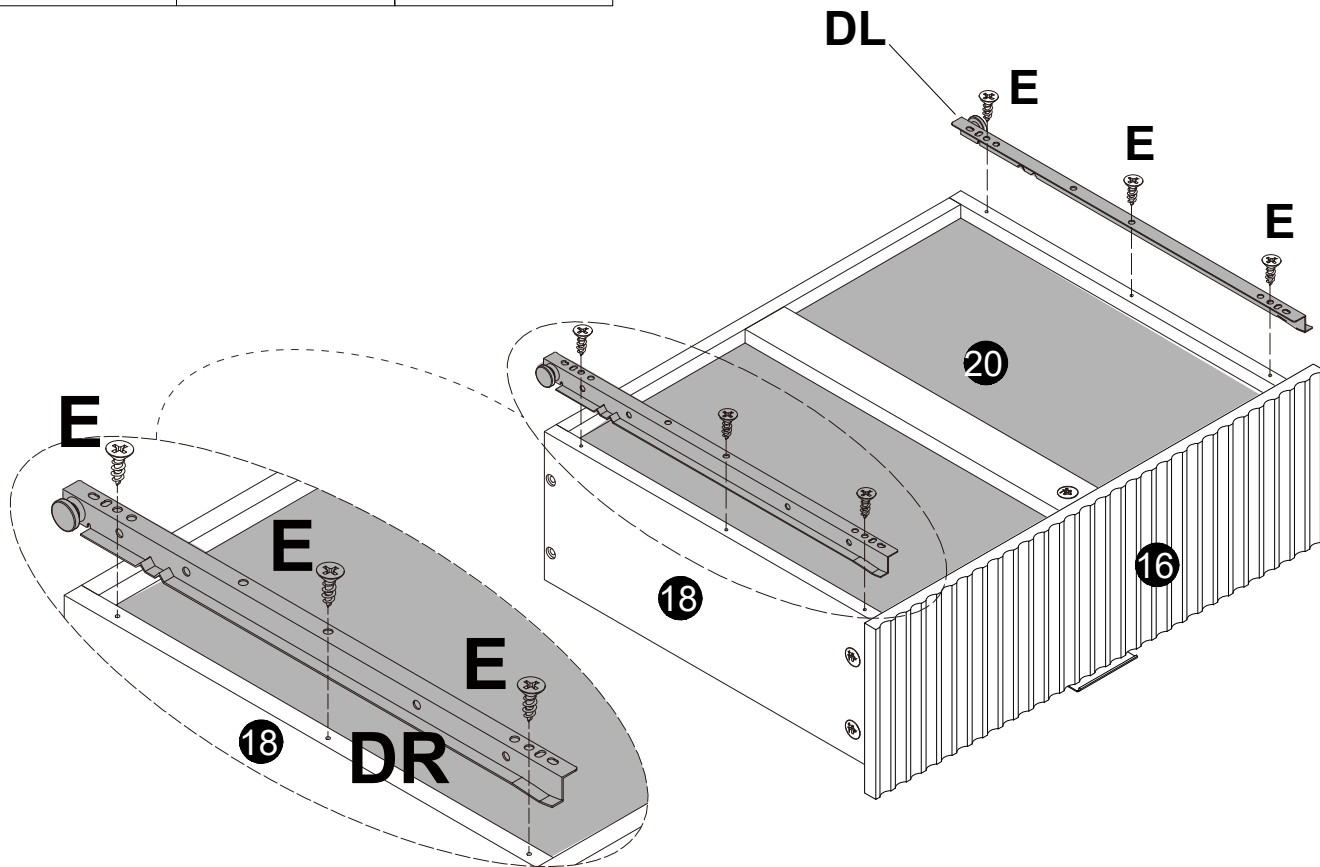
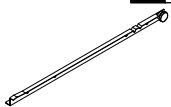
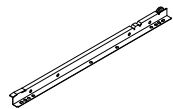
E x18

DL x3

DR x3

x3

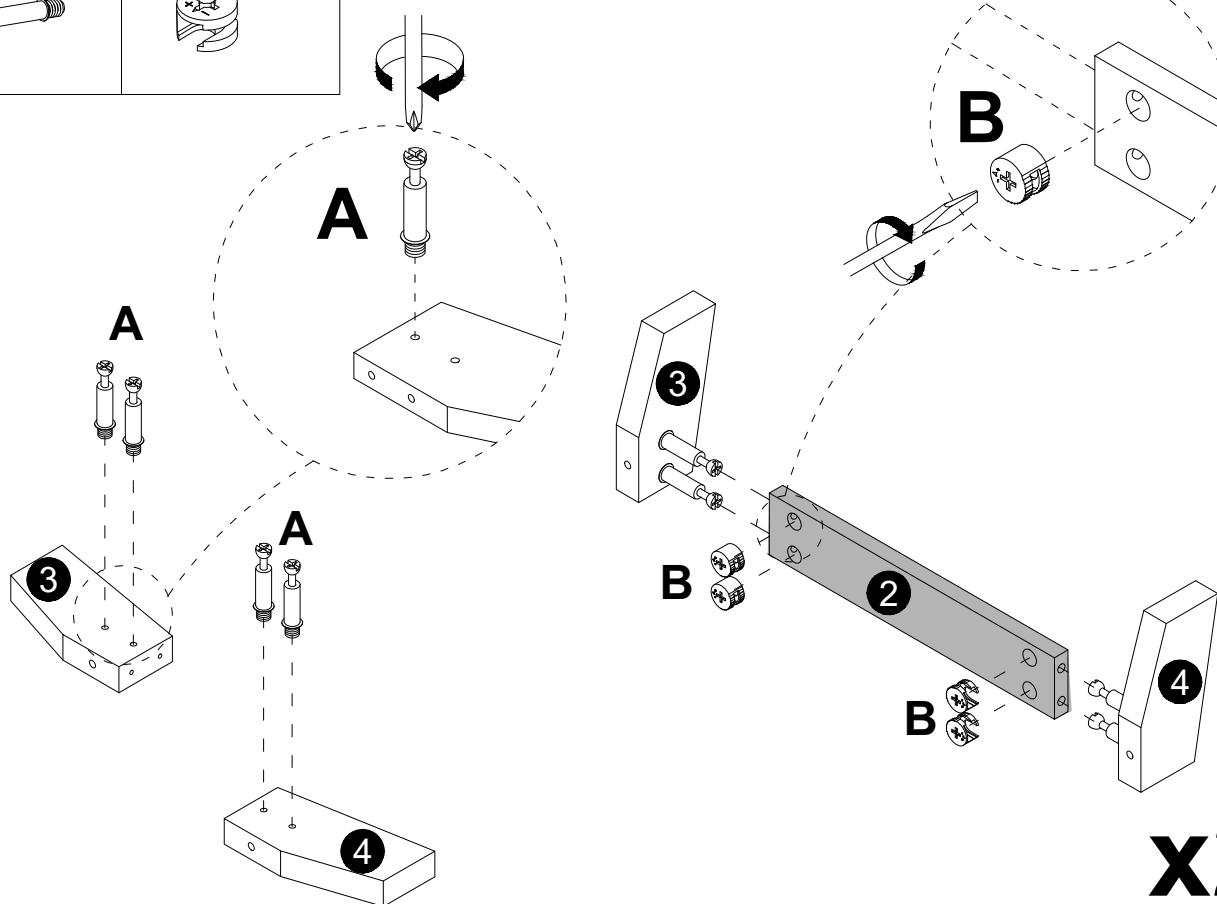
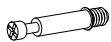
06



A x8

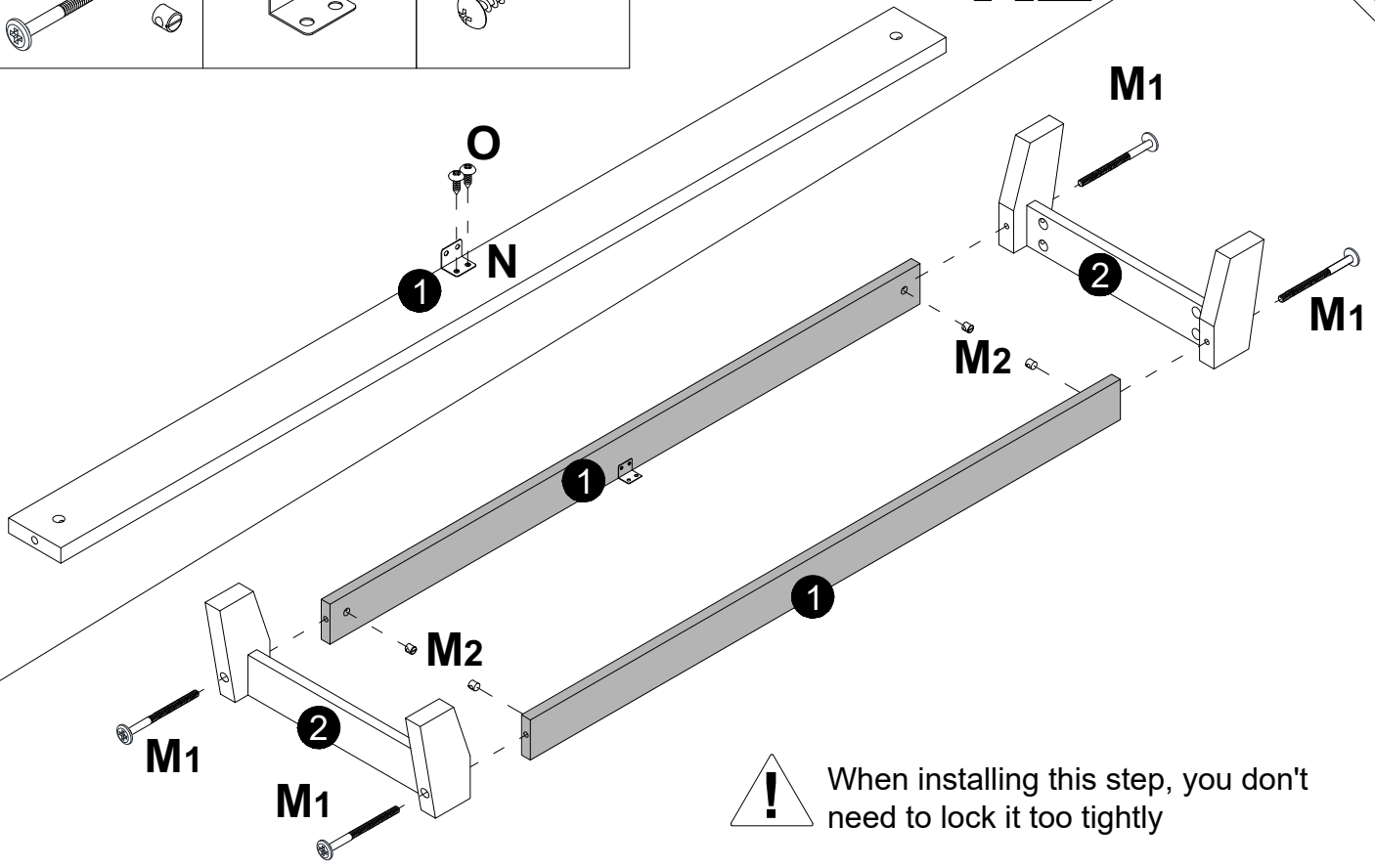
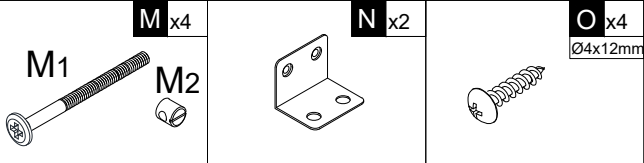
B x8


07

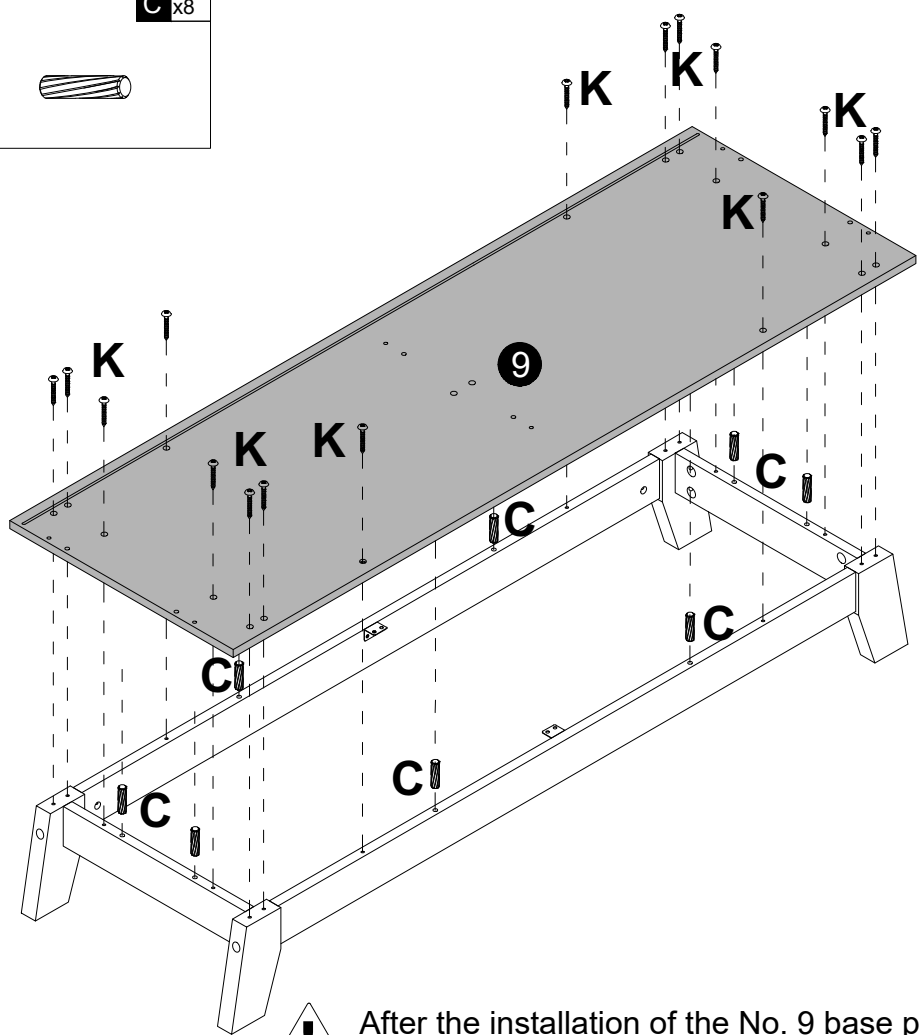
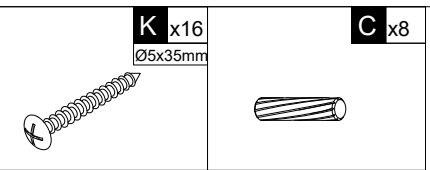



x2

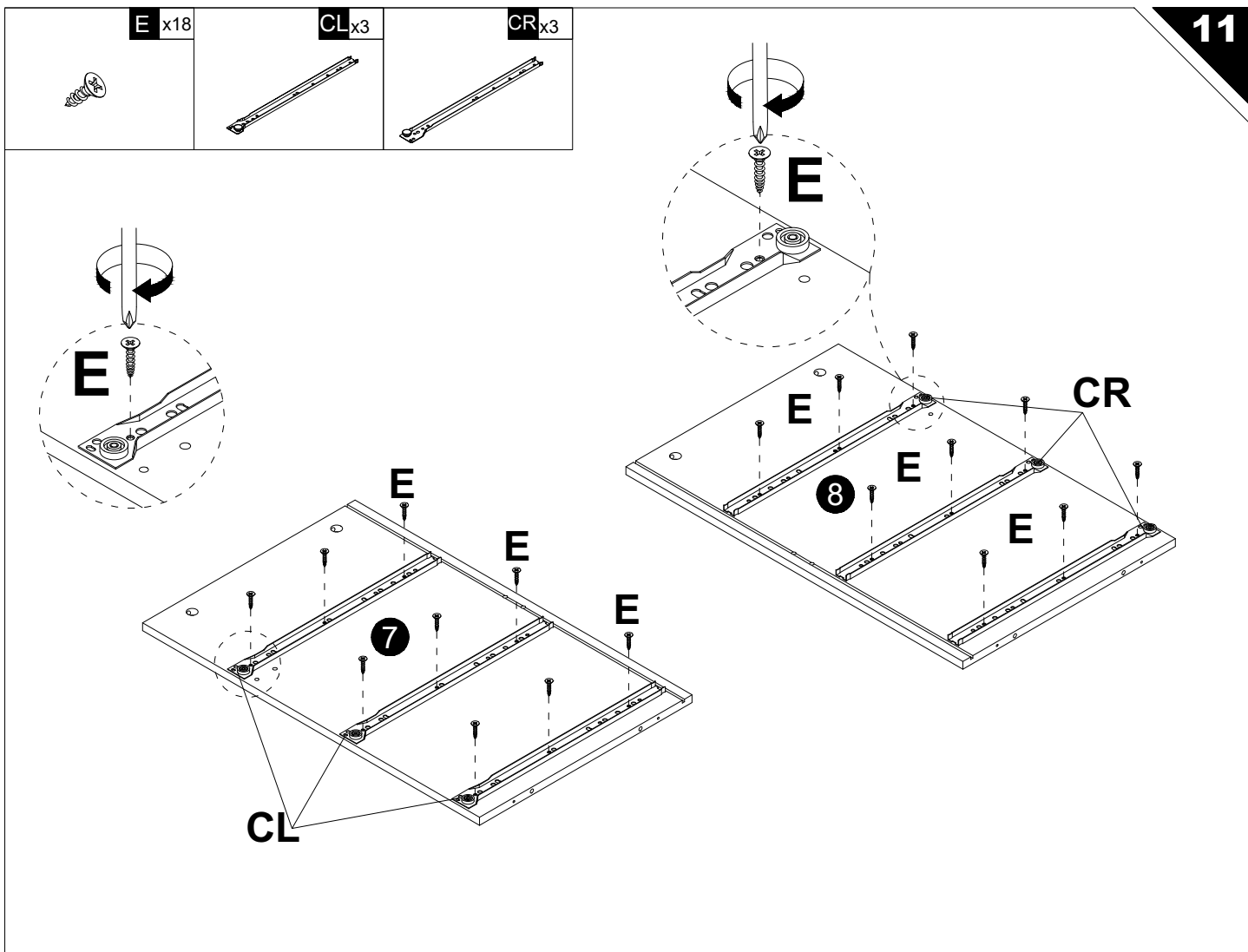
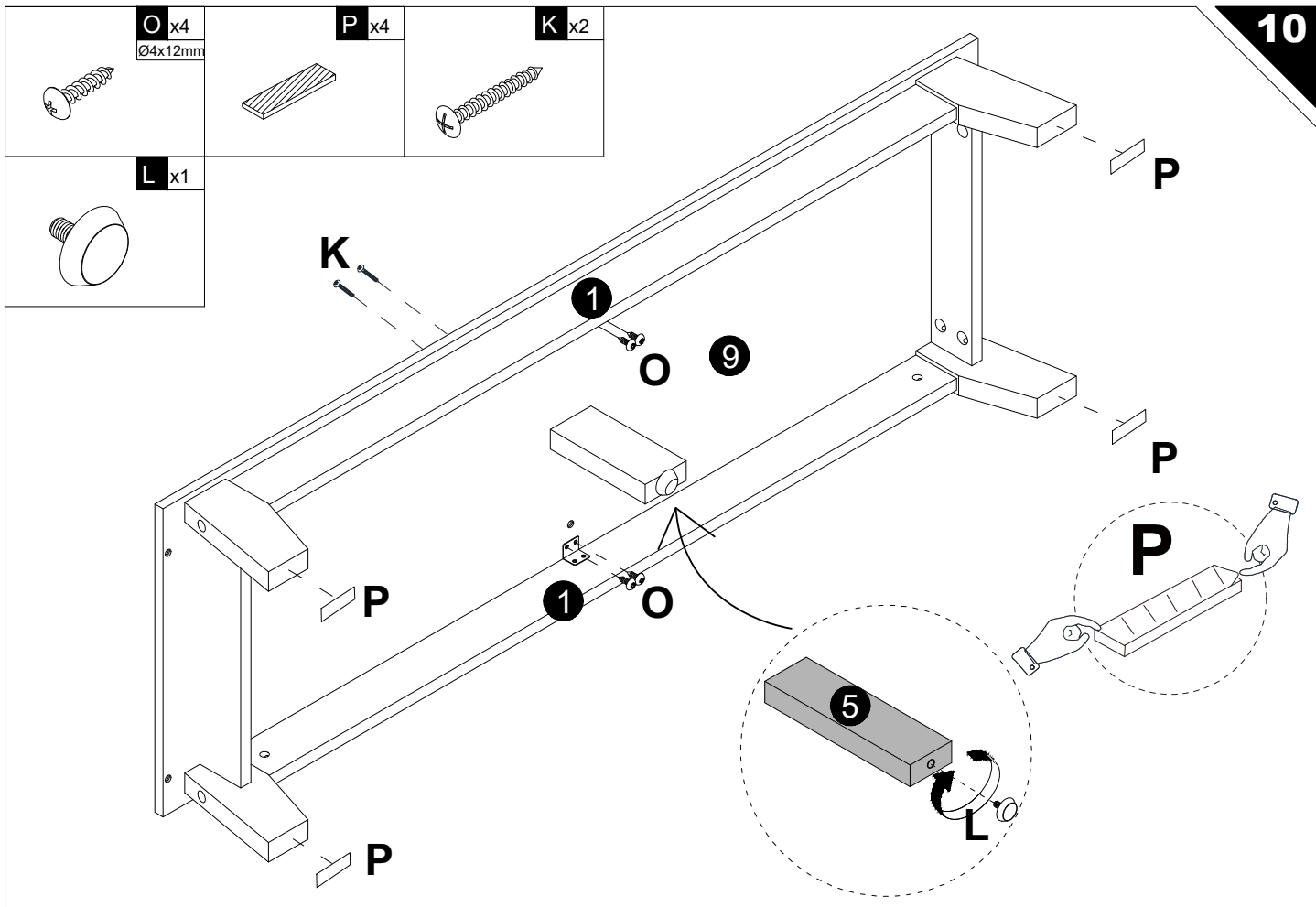
x2



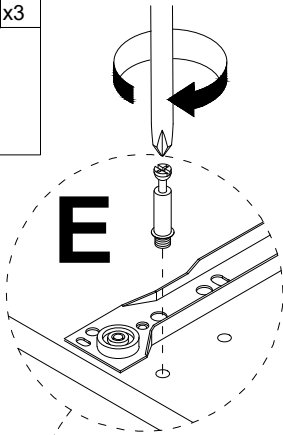
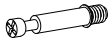
 When installing this step, you don't need to lock it too tightly



 After the installation of the No. 9 base plate is completed, the lock M bolt is once again fully fixed on the leg

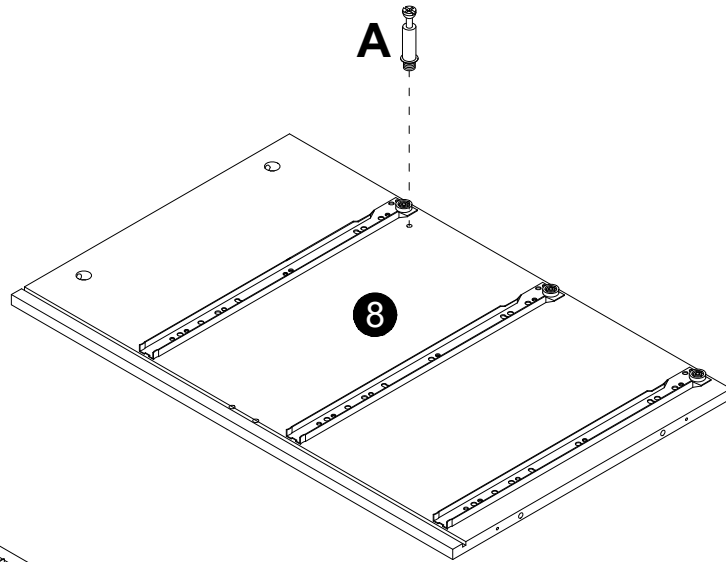


A x3



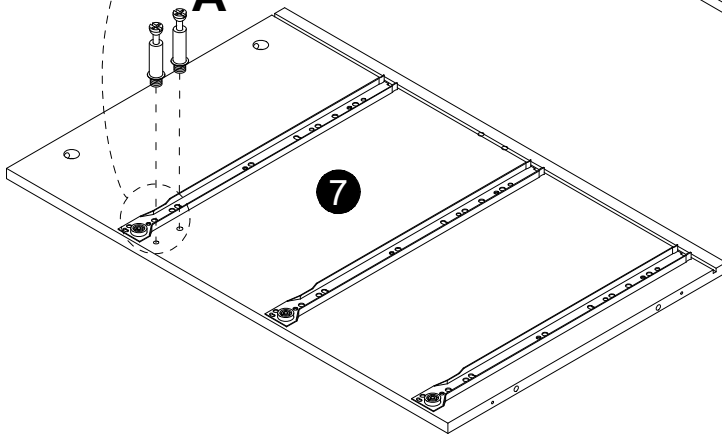
E

A



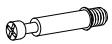
8

A



7

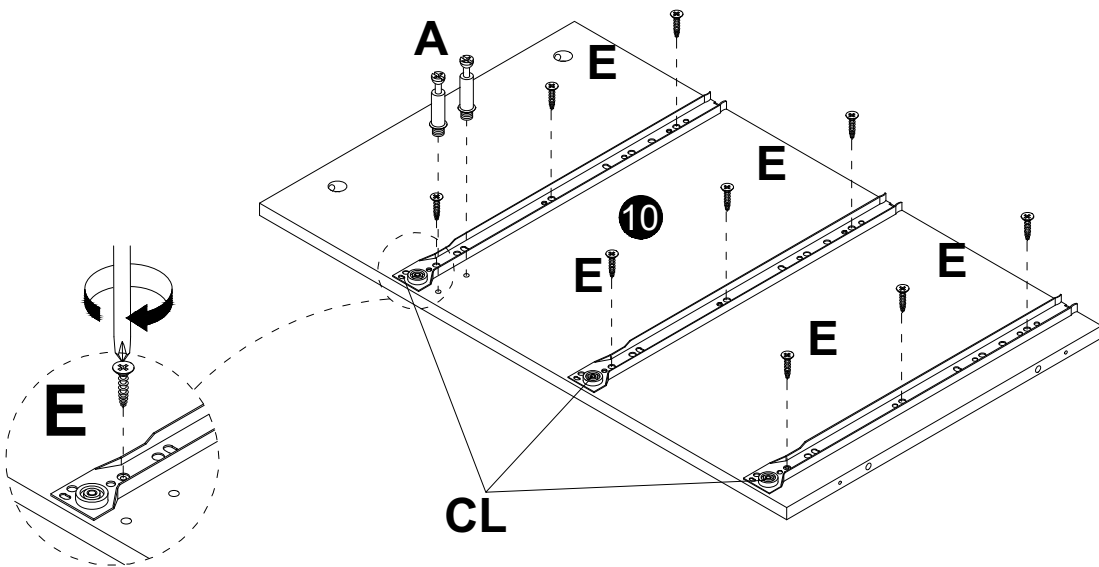
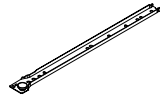
A x2



E x9



CL x3



A

E

10

E

E

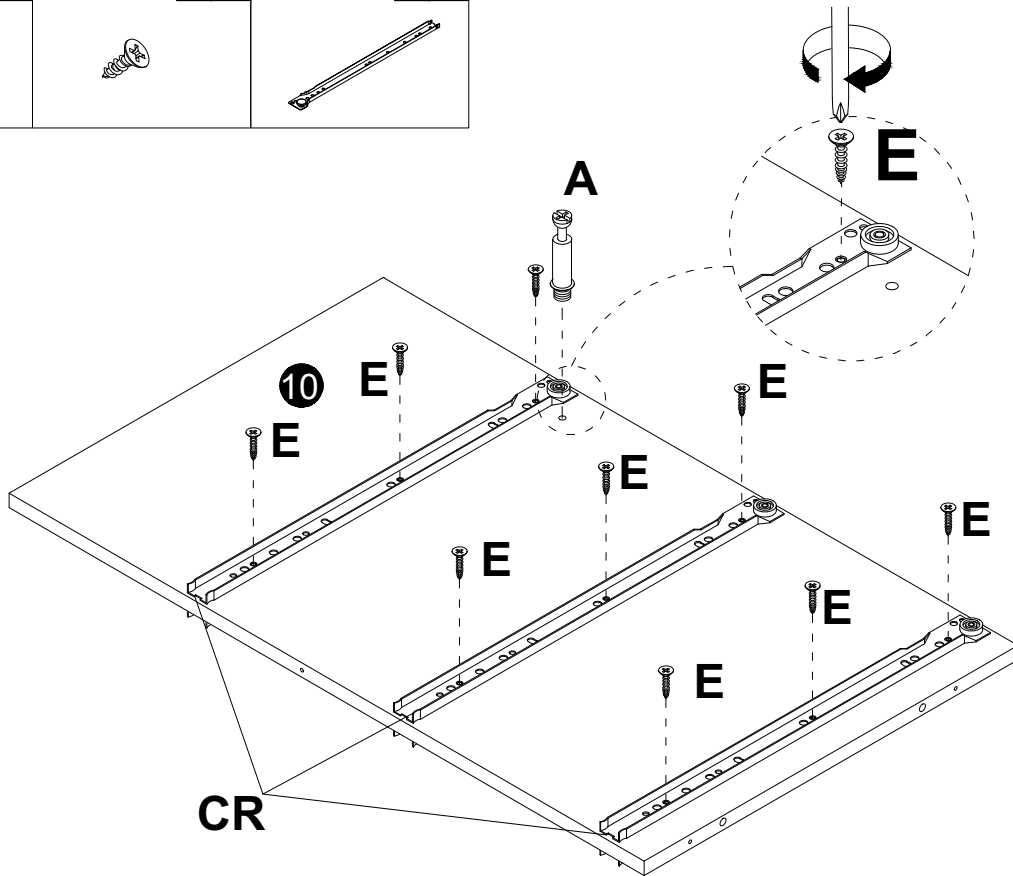
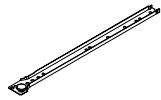
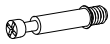
E

CL

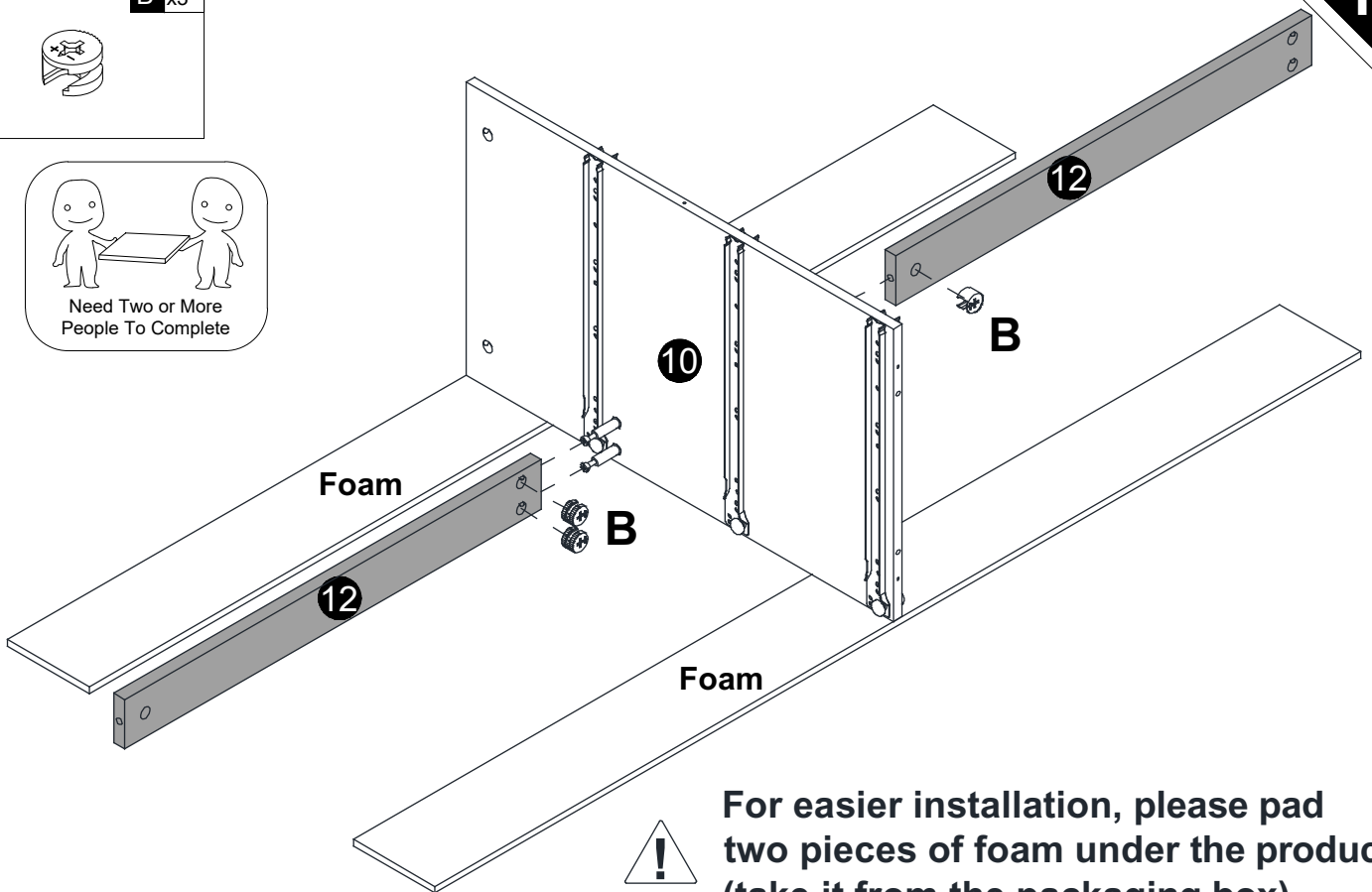
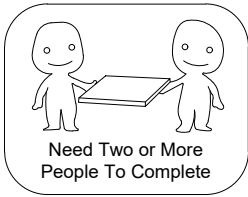
A x1

E x9

CR x3



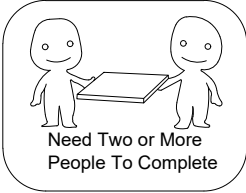
B x3



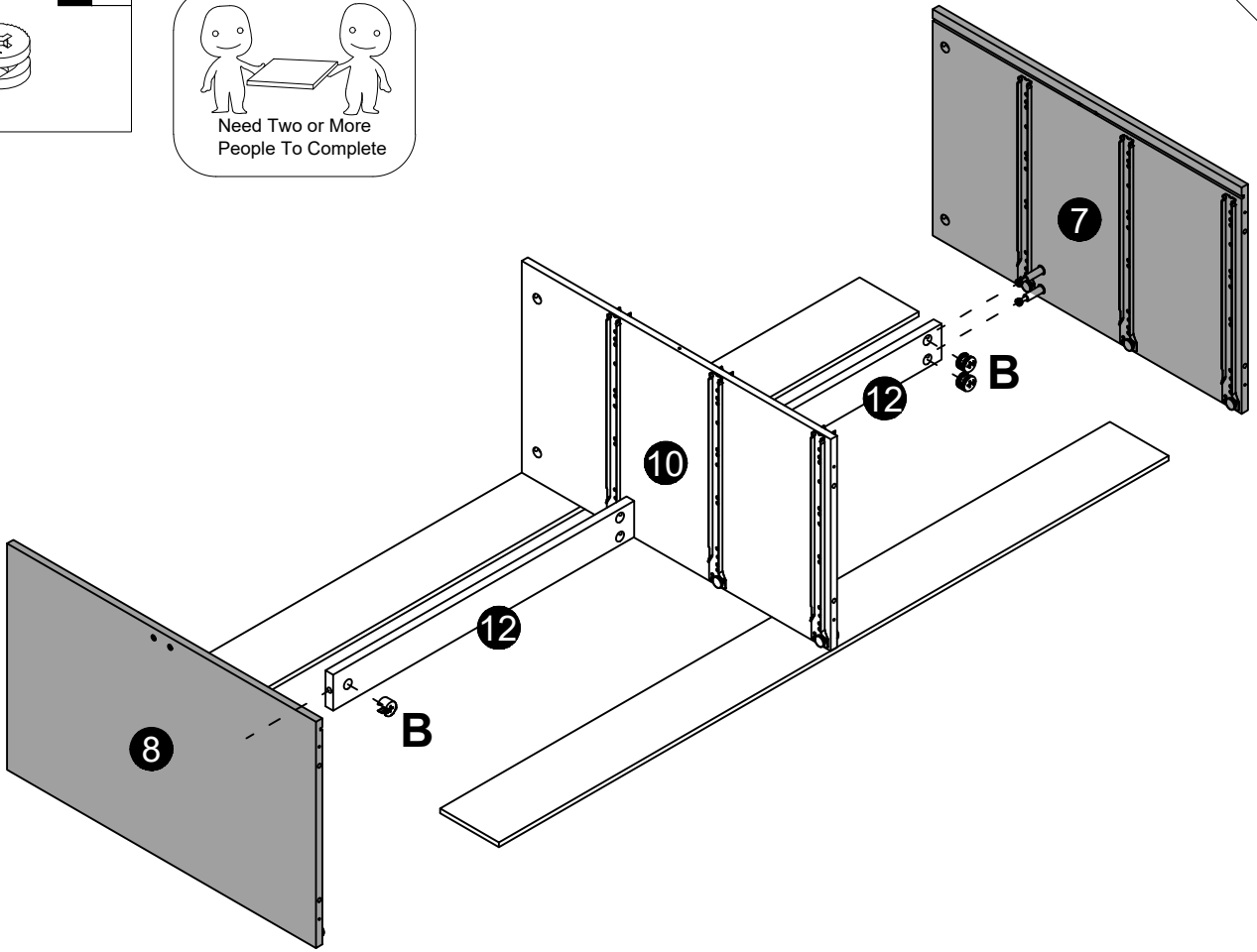
For easier installation, please pad two pieces of foam under the product (take it from the packaging box).



B x3

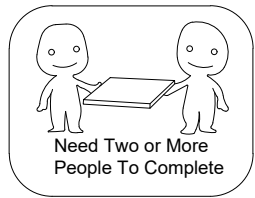
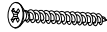


Need Two or More People To Complete

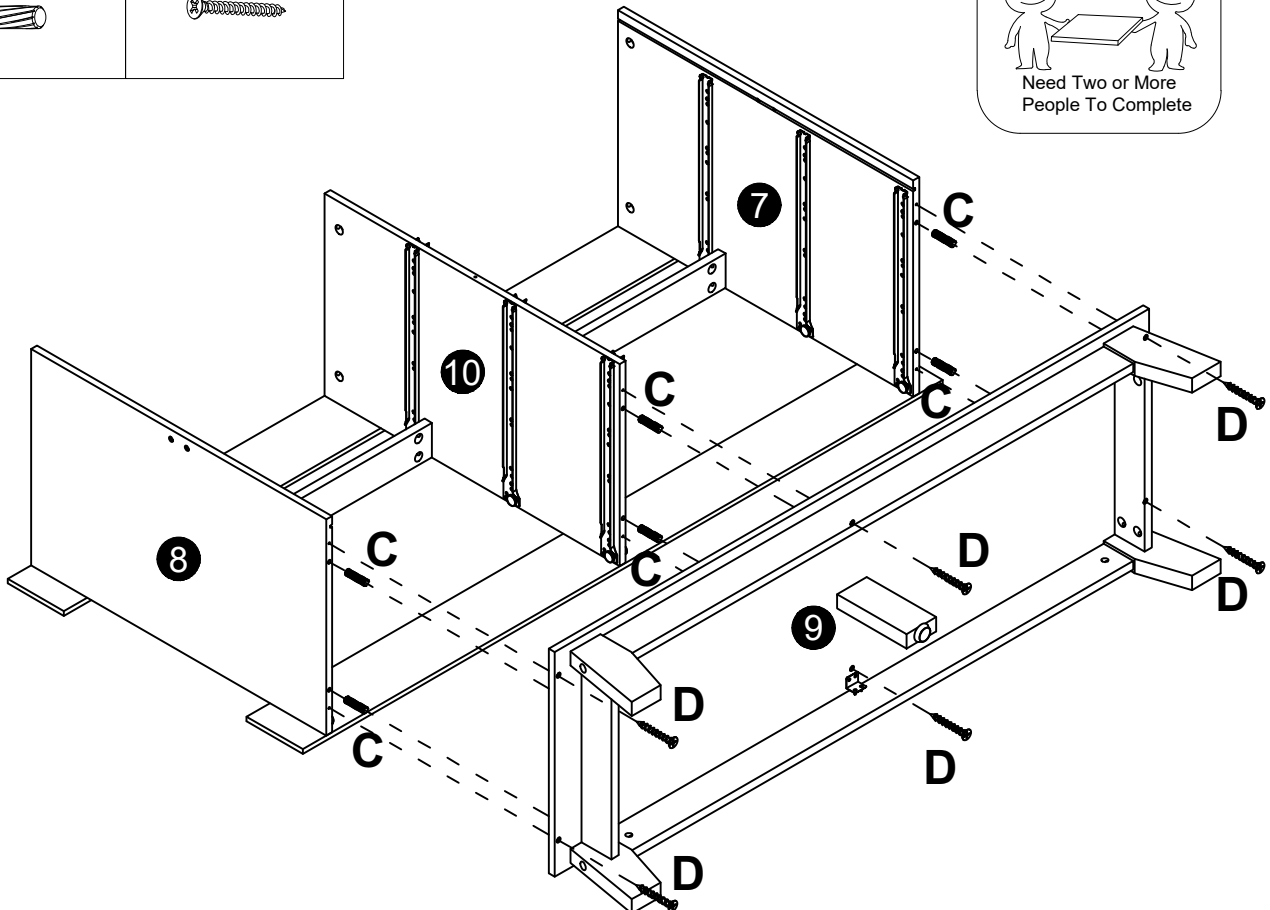


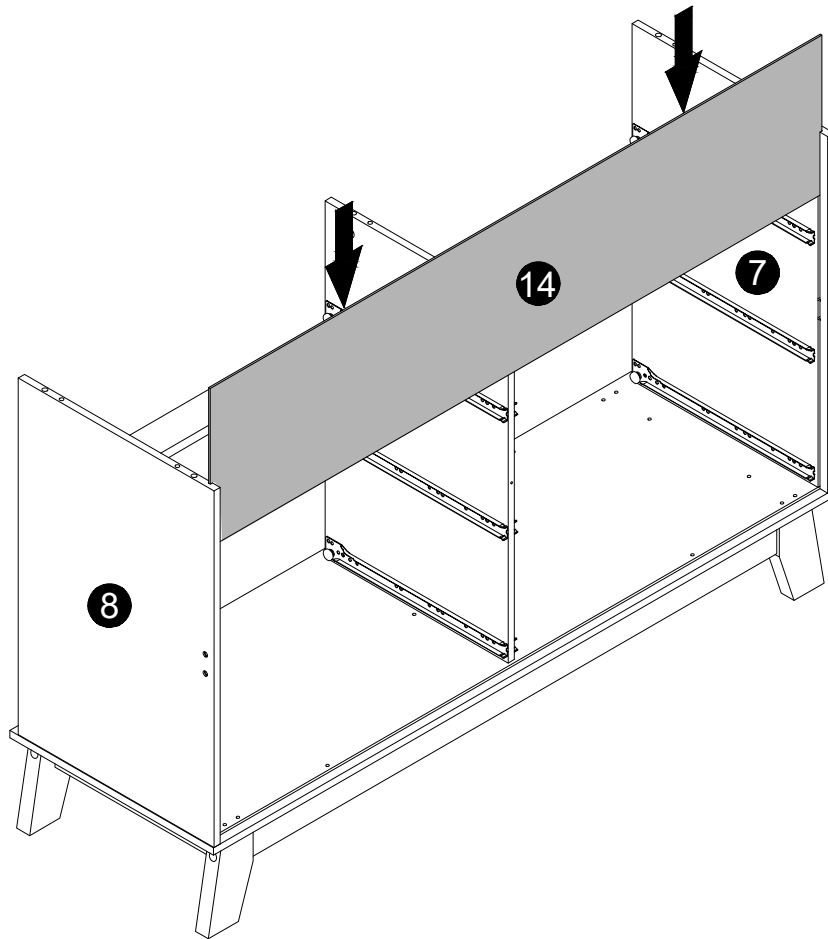
C x6

D x6

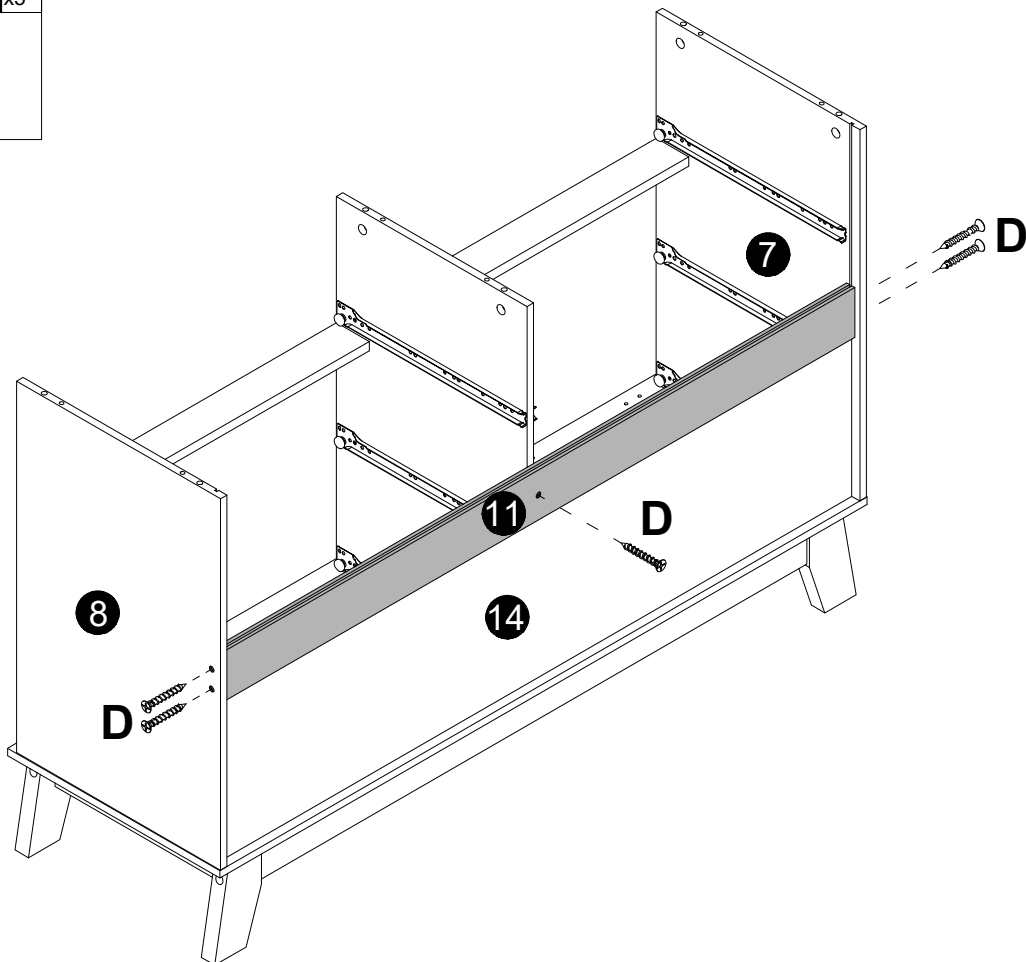
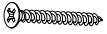


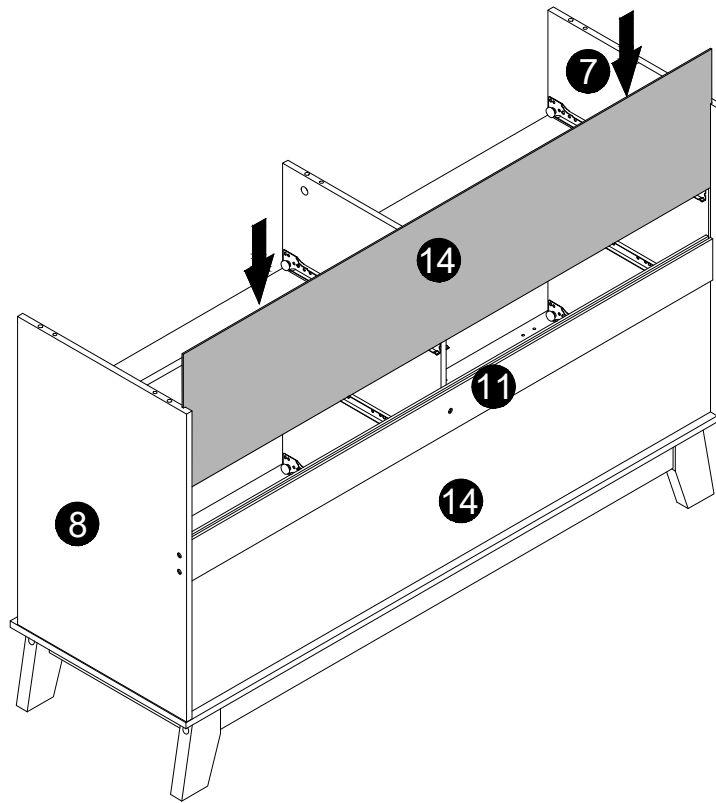
Need Two or More People To Complete



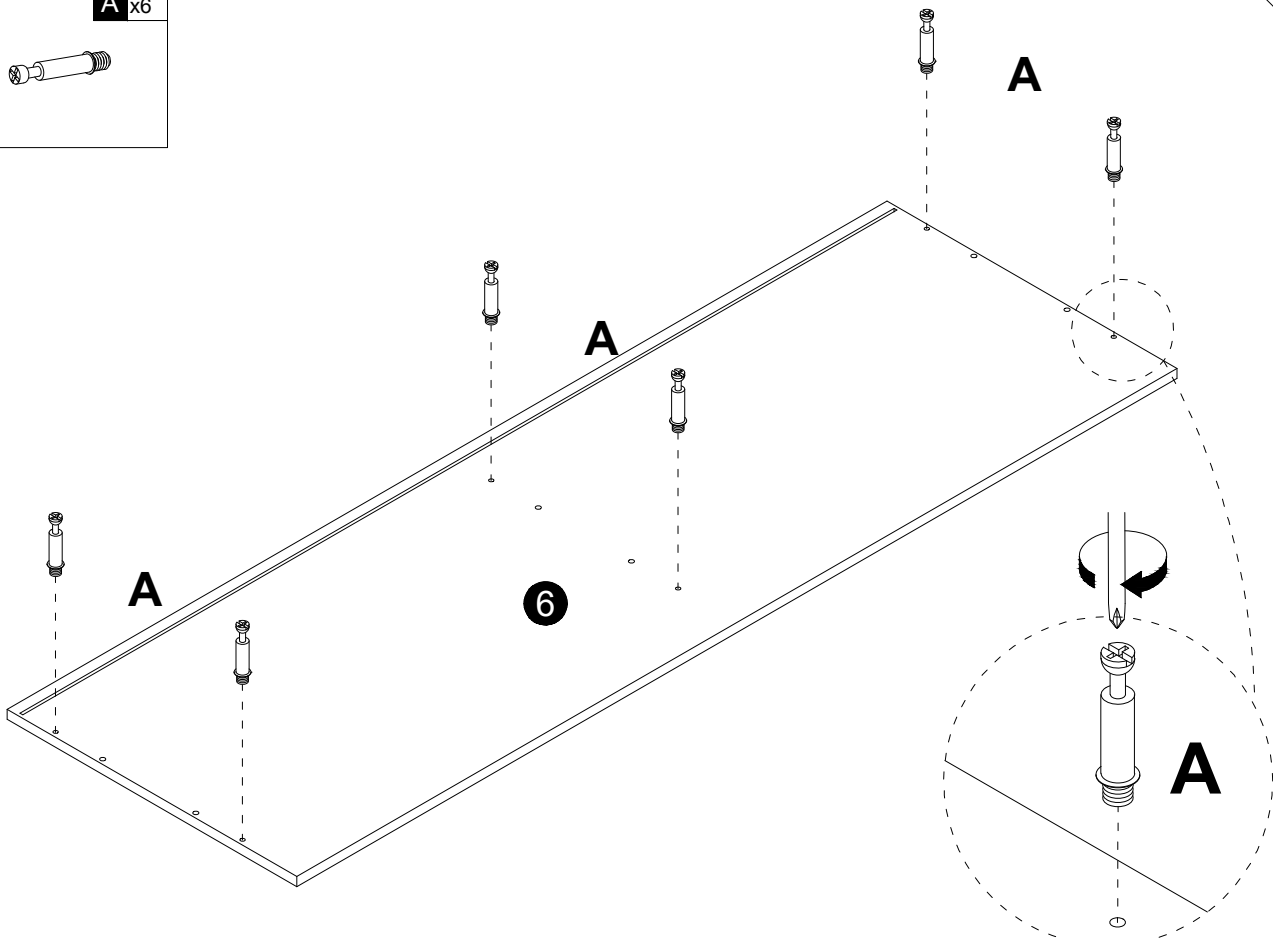
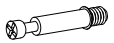


D x5





A x6

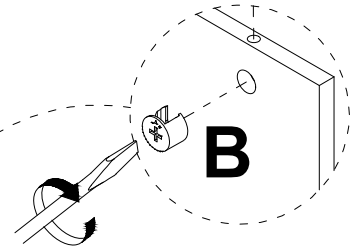
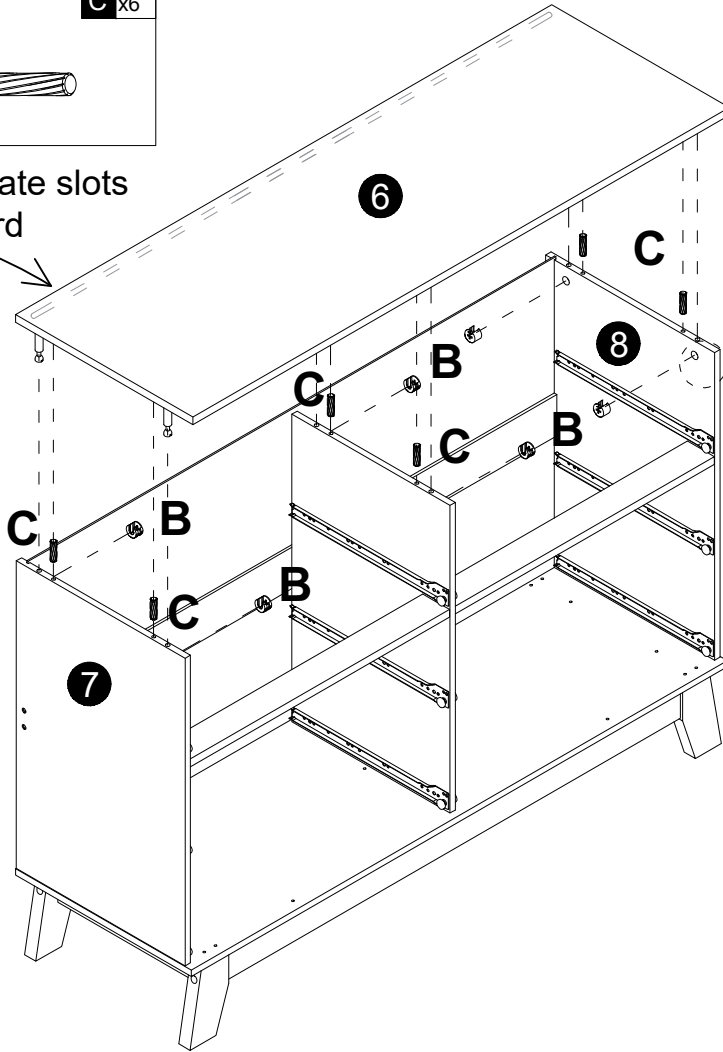


B x6

C x6

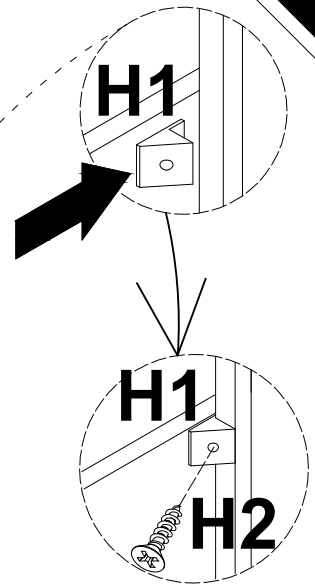
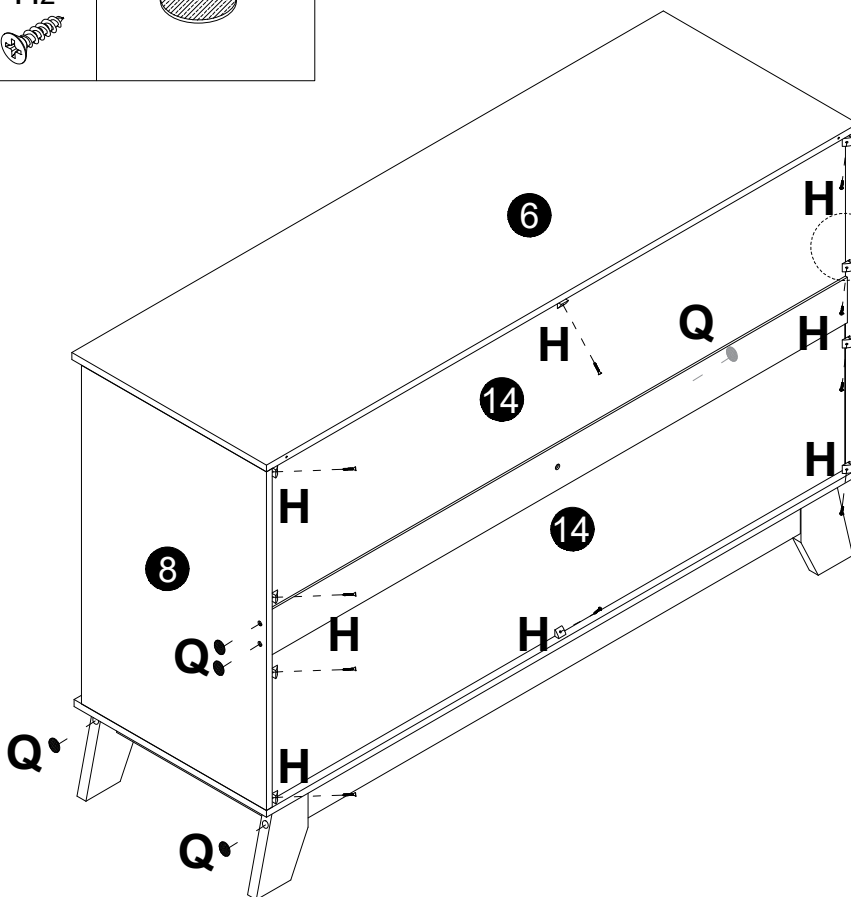
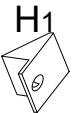


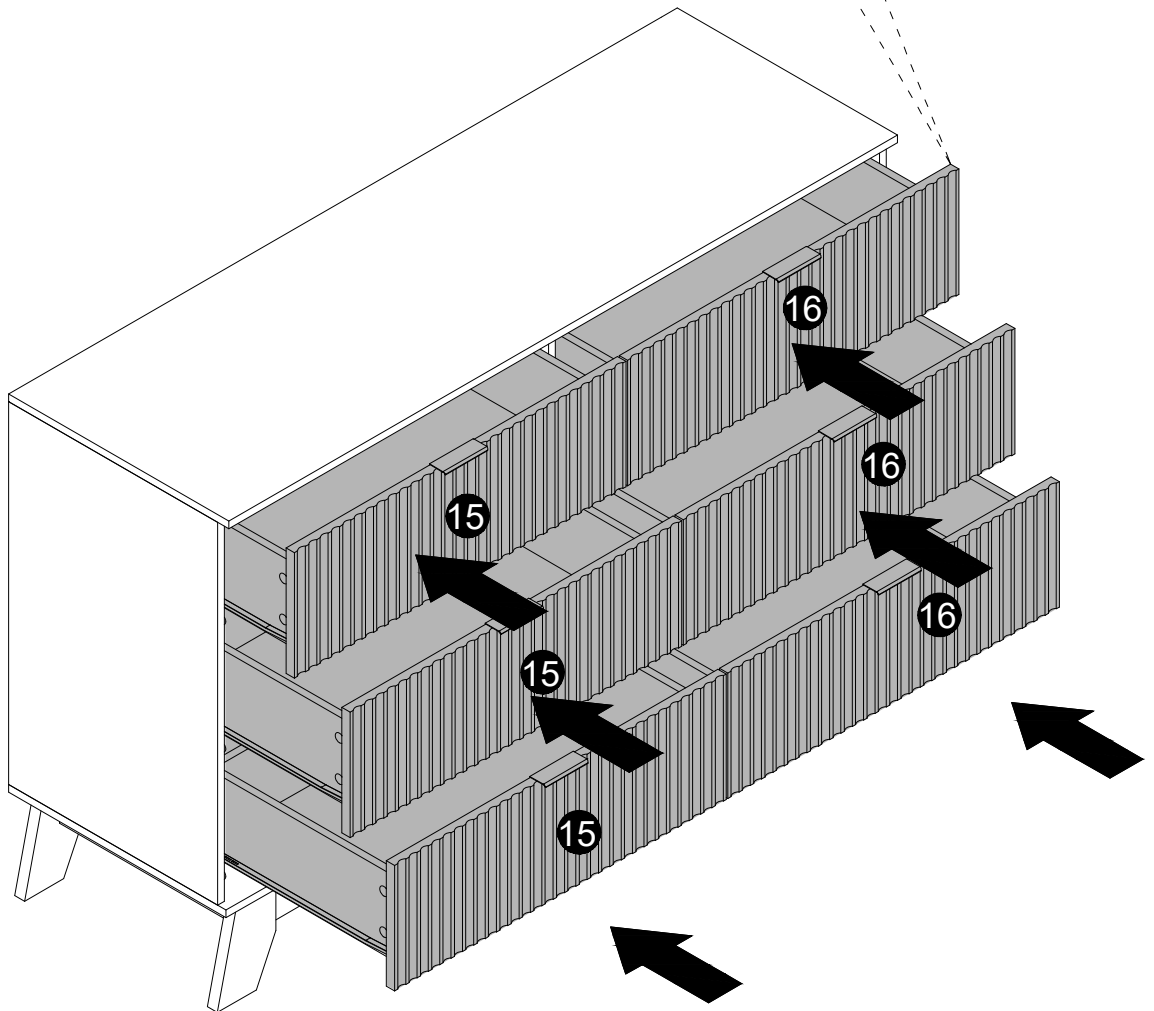
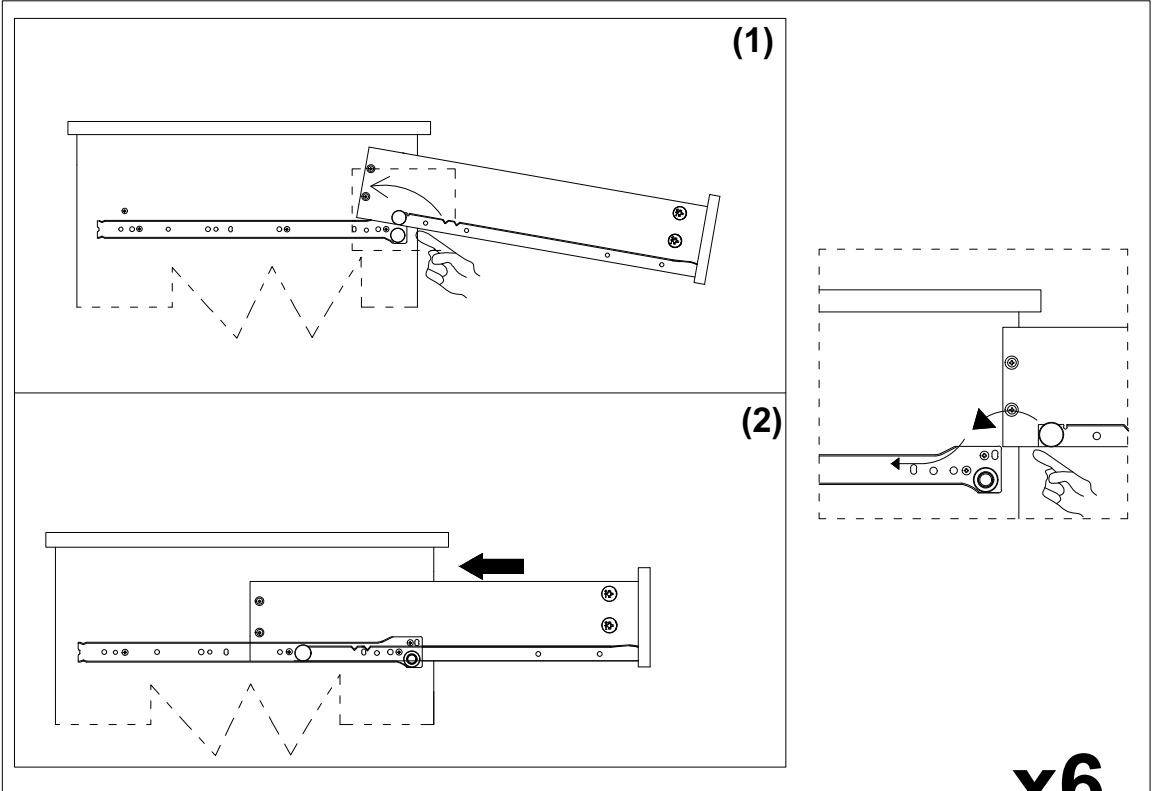
! The backplate slots are rearward

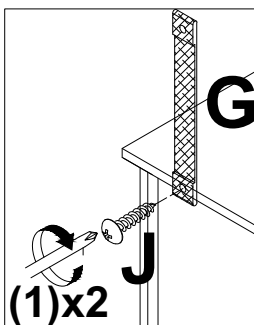
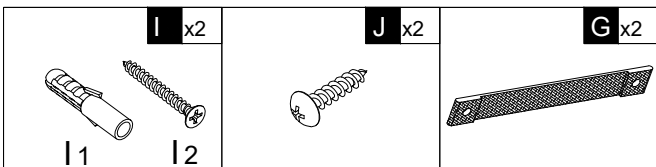


H x10

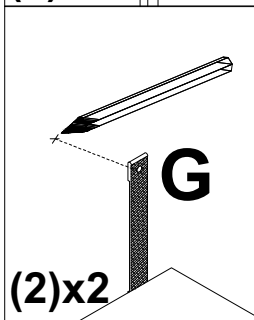
Q x8



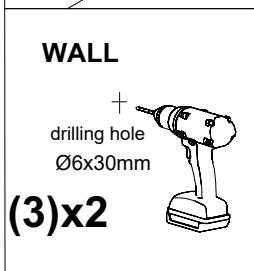




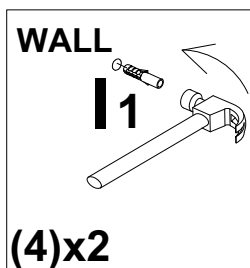
First fix the anti-rewind screw in the reserved hole of the product.



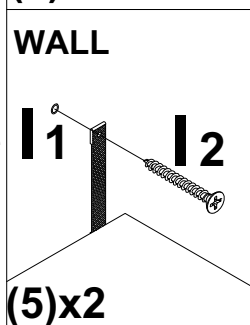
then, use a ruler to measure the approximate height of the product on the wall, and then mark it with a pen.



Then use a tape drill to make holes in the wall that are suitable for the product screws.



Then, put the expansion bolt into the hole



Finally, pass the matching screws through the "anti-rewind" and tighten them to fix them on the wall.

