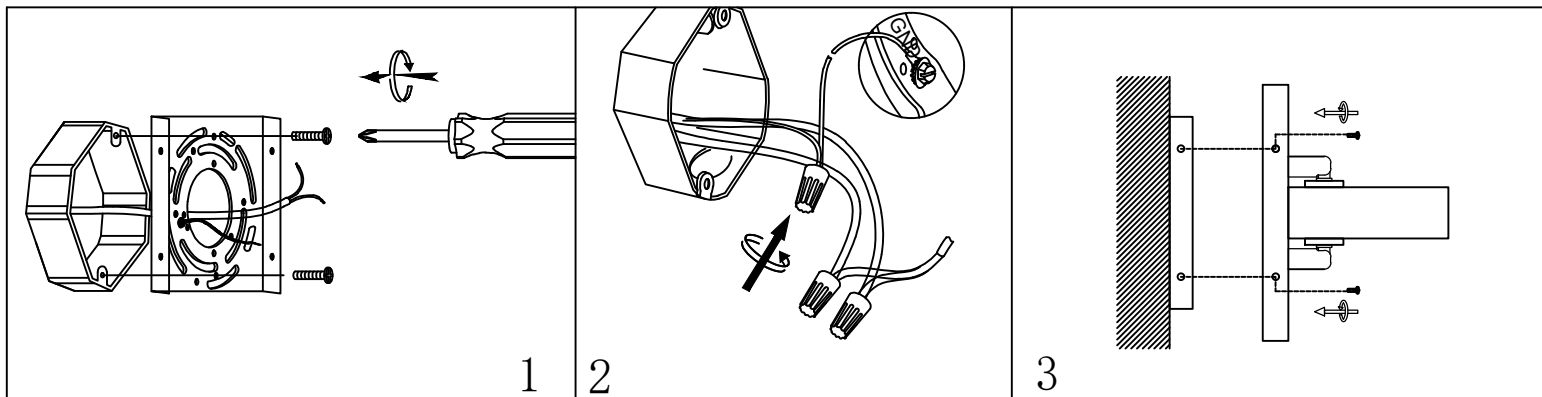
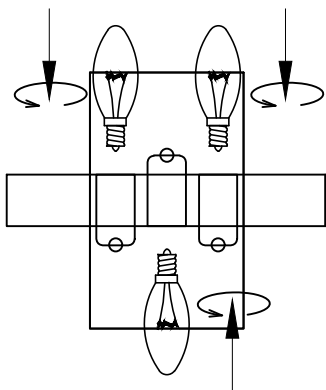


ASSEMBLY INSTRUCTIONS



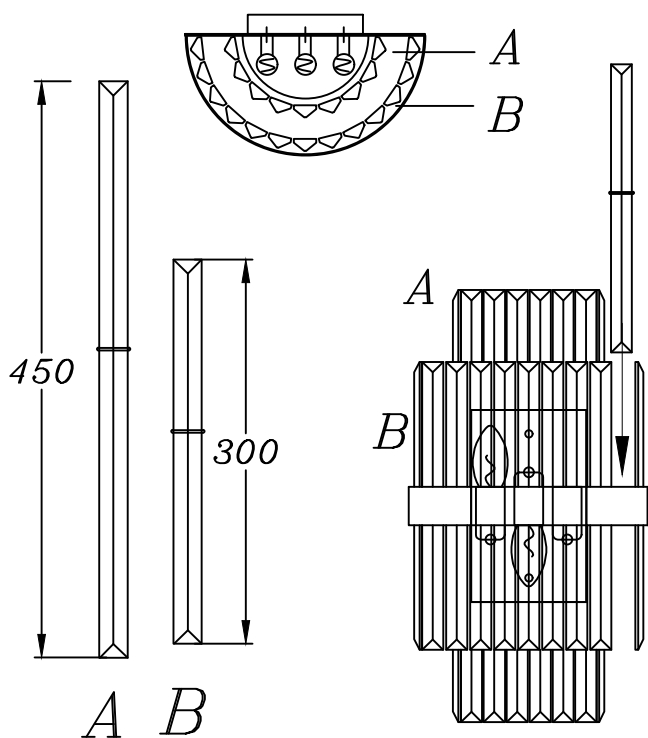
REF/SKU : SC70

LAMP HOLDER:3*E12 MAX 40W



INSTALLATION PROGRAM:

1. Fix the hanging board on the wall by screwing with a screwdriver.
2. Carefully inspect the fixtures wires. Connected the wires in the junction box to the fixtures wires ensuring that they are all connected correctly and fastened each together with plastic wire connectors, and wrap the connections with electrical tape.
3. Push the wall plate over the hanging board until flush with the wall and fix the plate by using the screws.
4. Insert E12 40-Watt maximum bulbs(not included) into the socket(s). DO NOT EXCEED SPECIFIED WATTAGE.
5. Place the crystal pieces to the lamp and make sure it's tightened.



ATTENTIONS

⚠ WARNINGS

- *Do not disassemble
- *Do not strike or shake the fixture. Handle with care.
- *Do not wipe with ethyl alcohol, gasoline or paint thinners etc.
- *Be sure to follow the steps in the order given.
- *If you are unclear as how to proceed, consult a qualified electrician

CARE INSTRUCTIONS:

- *Wipe clean with a soft, dry cloth or static duster.
- *Do not use abrasive materials such as scouring pads or powders, steel wool or abrasive paper.
- *Always avoid the use of harsh chemicals or abrasive cleaners as they may cause damage to the fixture's finish.