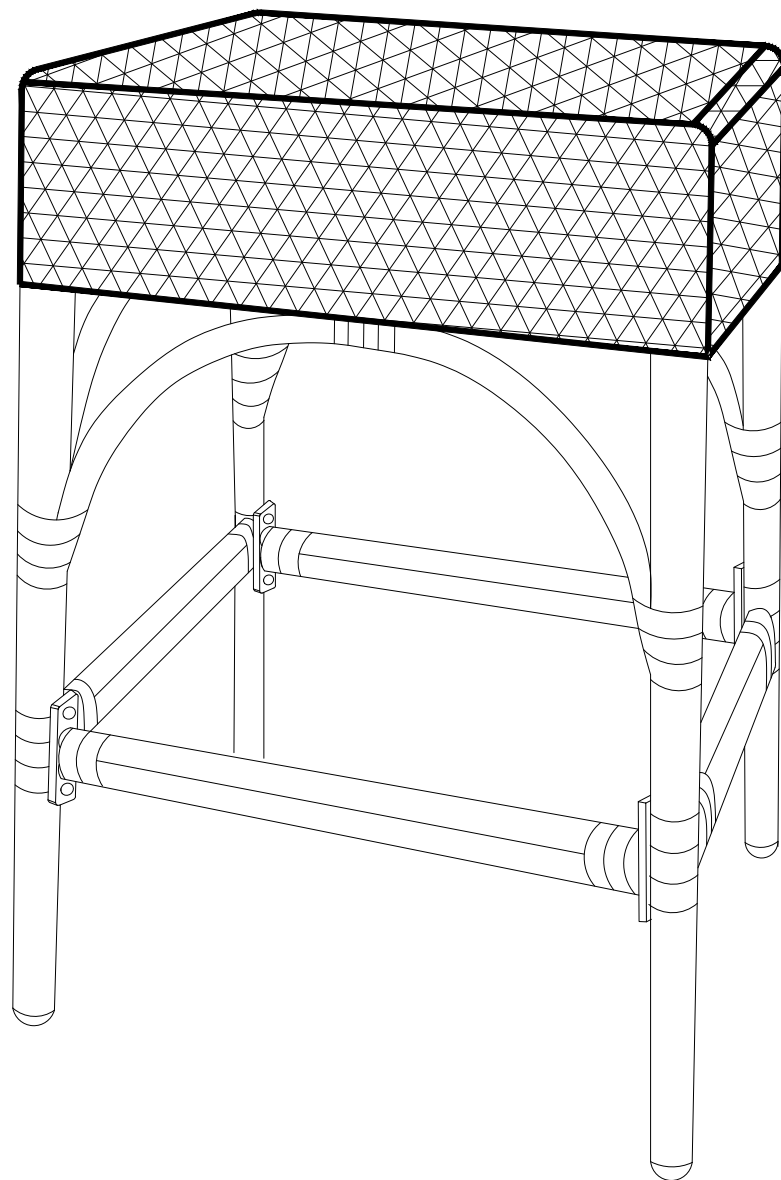


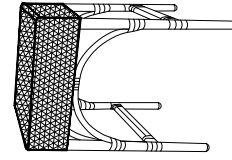
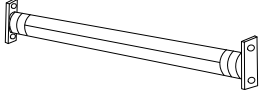
ASSEMBLY INSTRUCTION

Barstool
SKU:25024CS

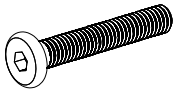
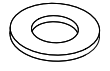
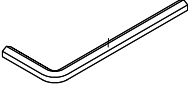


THANK YOU FOR PURCHASING

Component List

LABEL		DESCRIPTION	QTY
A		Seat	1
B		Fixed frame	2

Hardware List

LABEL		DESCRIPTION	QTY
C	 M6*15	Bolt	8
D	 M6	Washer	8
E	 M6	Hex wrench	1

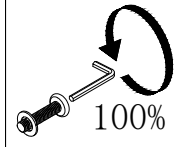
ATTENTION:
DO NOT tighten screws completely until assembly is completed;

1

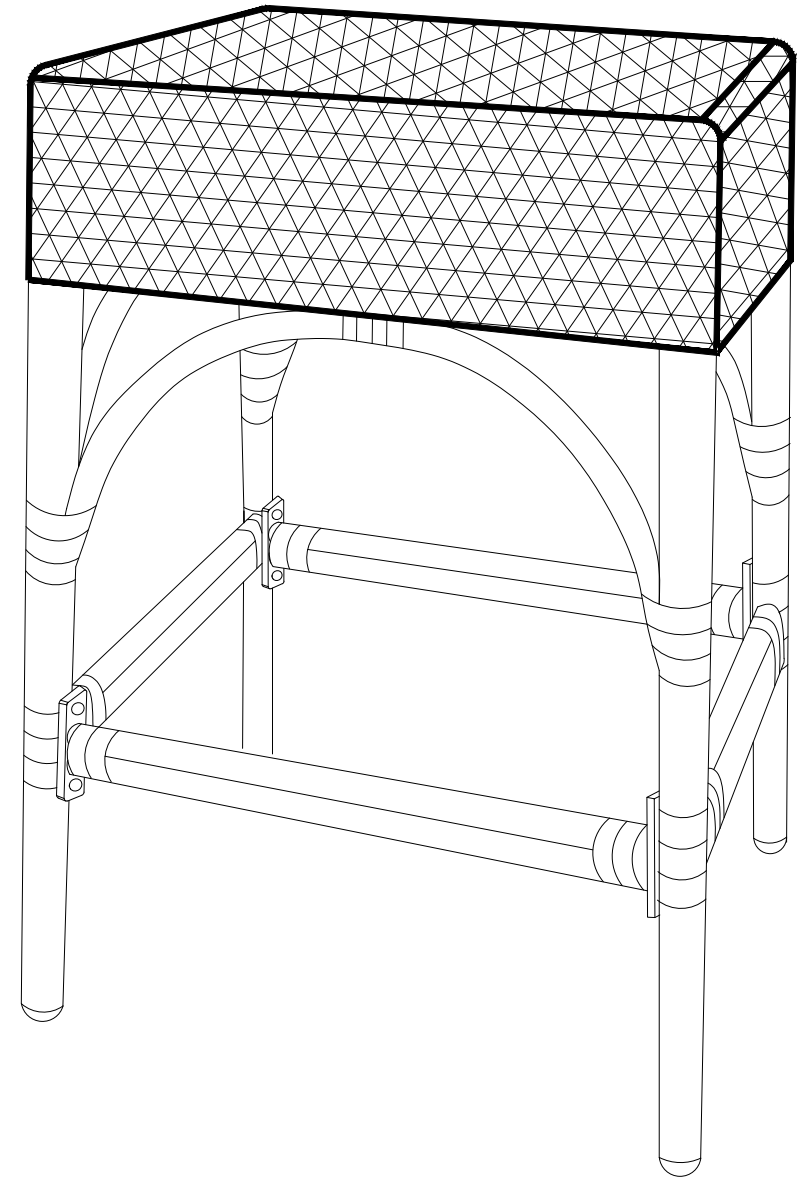
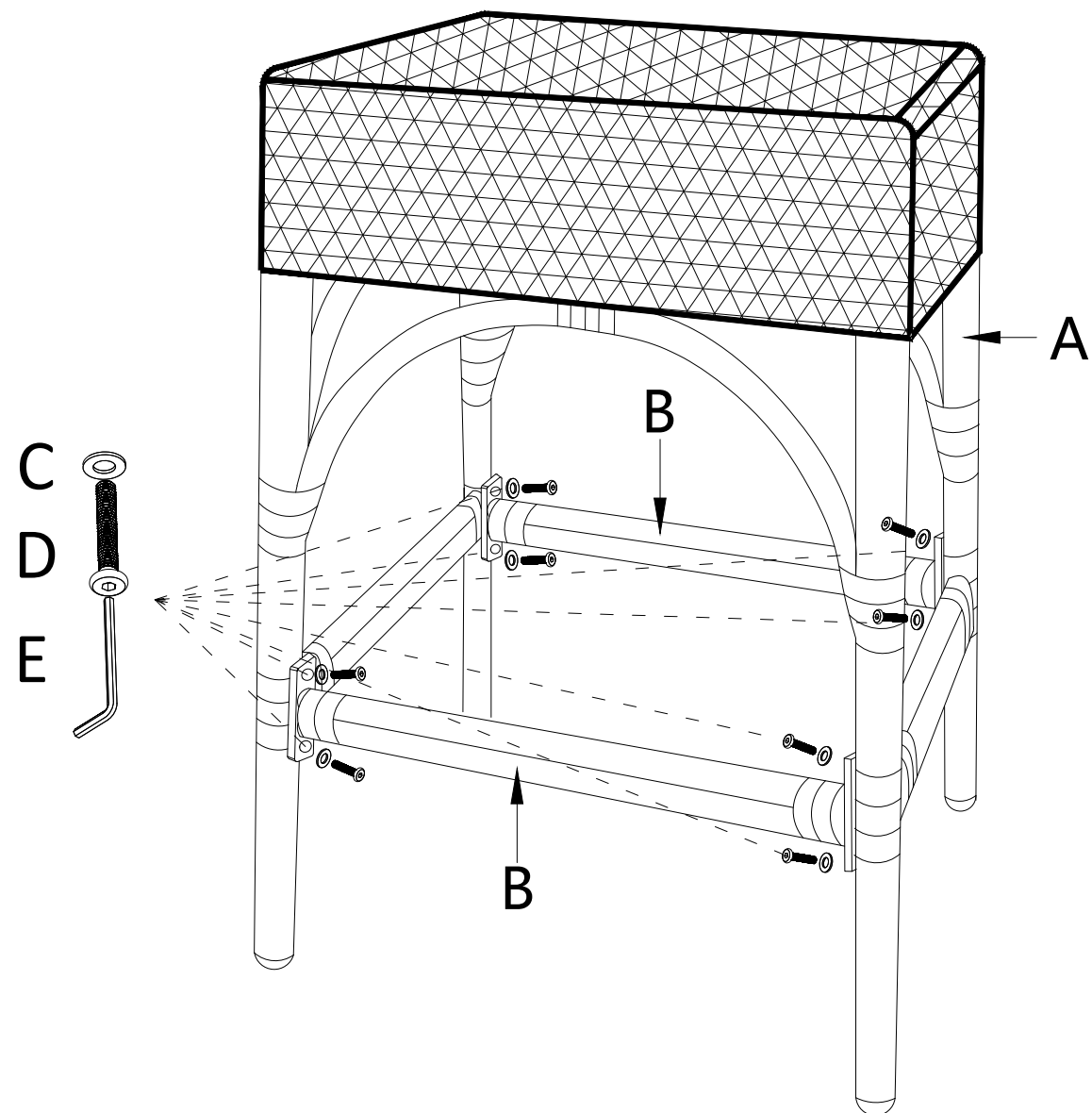
Cx8CS
M6*15(MM)



Dx8PCS
M6



2



2

3