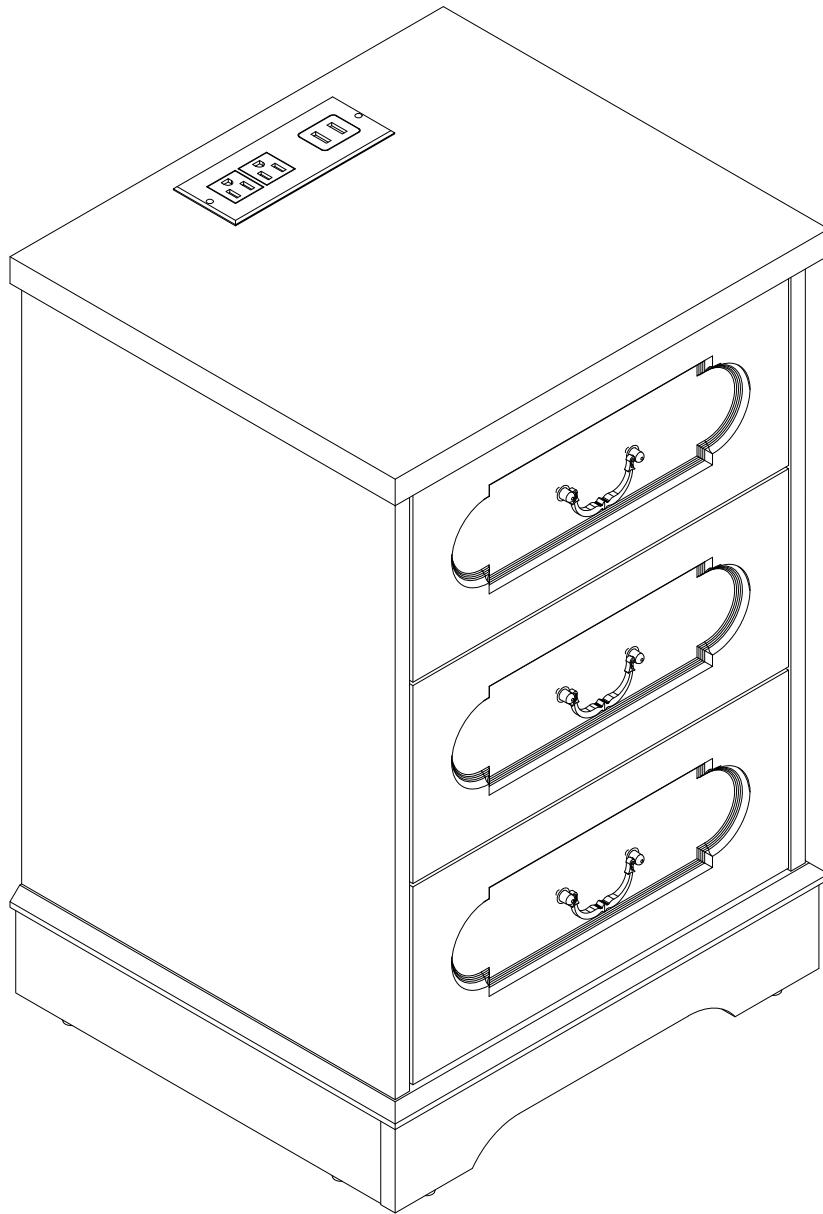


# Chest of Drawers Assembly Instruction



## INTRODUCTION

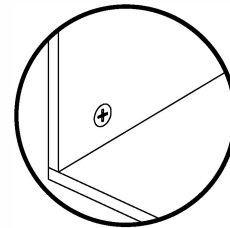
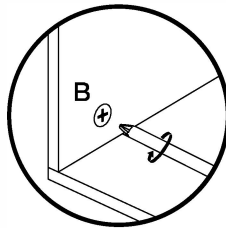
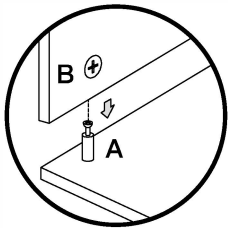
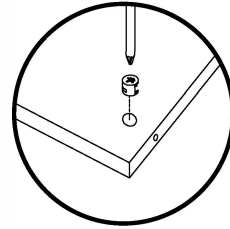
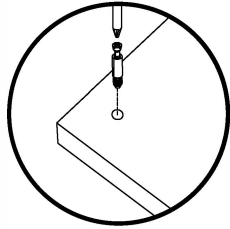
Thank you for purchasing our products. Please read the instructions carefully before installation and keep them somewhere easy to access whenever you need them. If you need any assistance or support, feel free to contact our customer service team.

## PRECAUTIONS

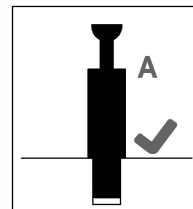
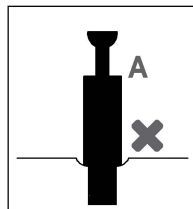
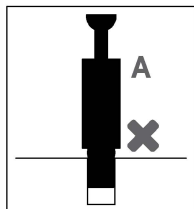
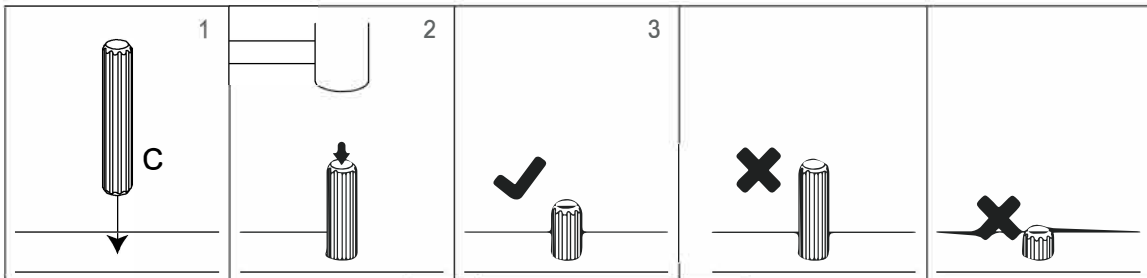
1. There are numerous components and accessories included in the package. Each one is labeled with a letter or a number, so be sure to check them carefully before use. Keep them out of the reach of children to prevent any accidents.
2. Please install the product on a clean, soft surface (such as carpet or cardboard) to prevent scratching or damaging it.
3. The product's main components are relatively heavy. Please pay attention to safety during installation.
4. The product may be unstable during installation. Please avoid moving it until installation is fully complete.
5. We recommend at least two people for installing this product.
6. If you have any questions during installation, please contact our customer service team promptly.

**\*PLEASE MAKE SURE TO FOLLOW THE INSTALLATION STEPS IN THE MANUAL CAREFULLY TO AVOID ANY UNNECESSARY DAMAGE OR LOSSES CAUSED BY IMPROPER INSTALLATION.**

**\*IF YOU NEED FURTHER ASSISTANCE, PLEASE CONTACT OUR CUSTOMER SERVICE TEAM ONLINE.**

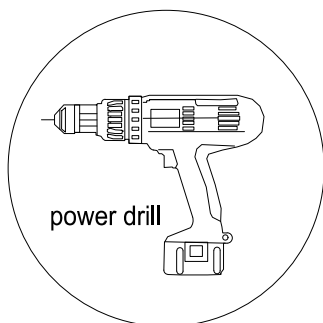


Insert the wood dowel [C] at least half way by tapping lightly with a rubber mallet, IF NECESSARY

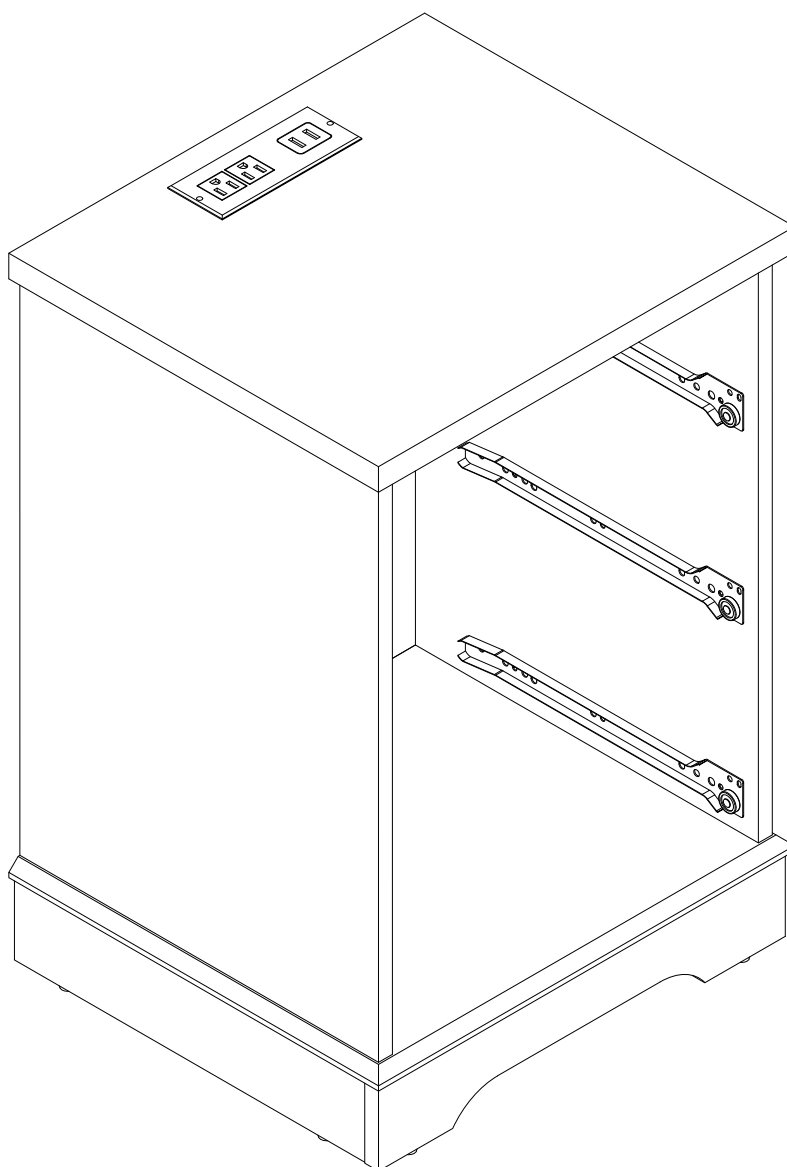


## ⚠ WARNING

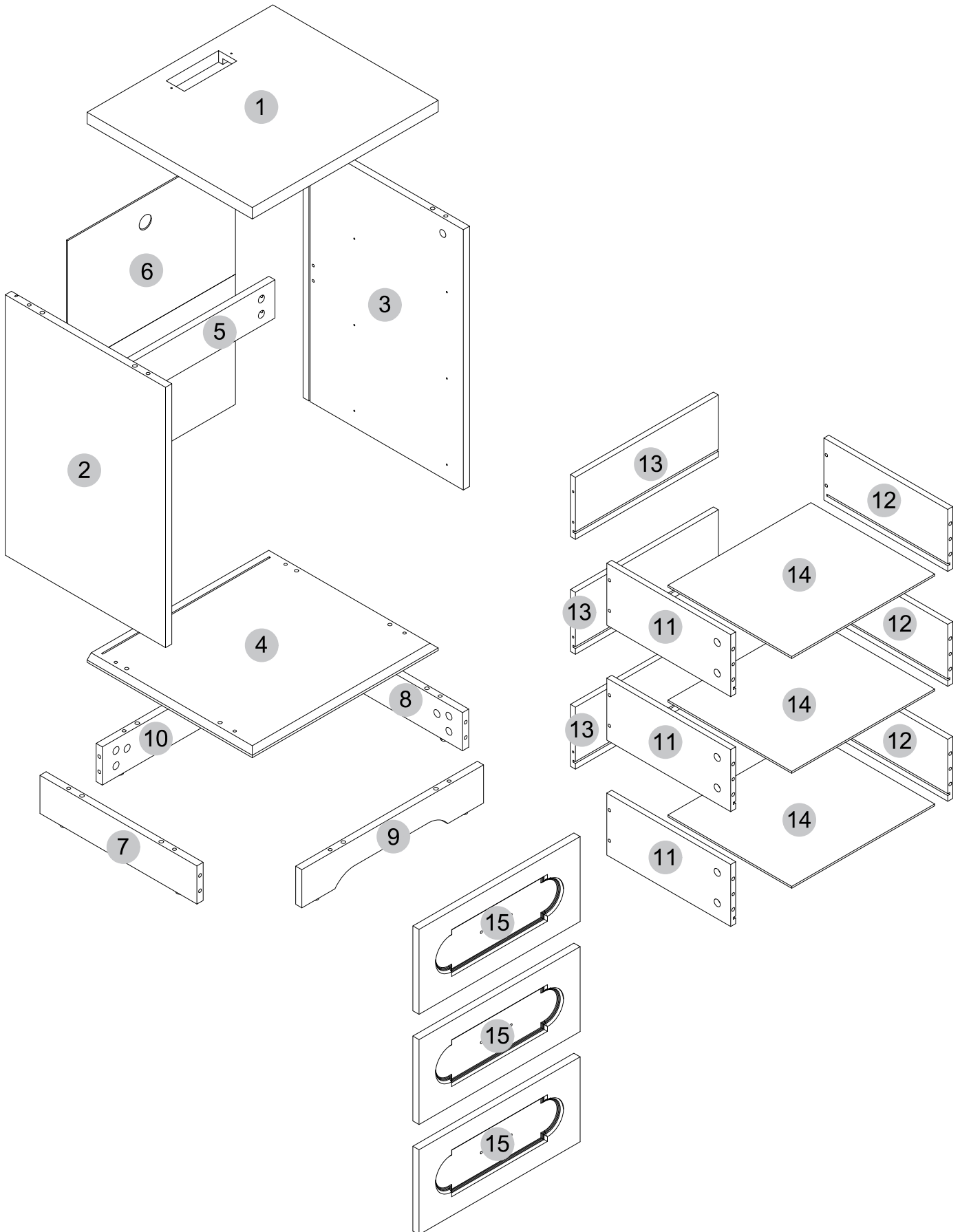
- Unit must be placed on a level surface or leveled with included hardware(when applicable).
- Do not sit or stand on or allow children to climb, sit or stand on the assembled product.
- For safety reasons, it is imperative that this unit be mounted to the wall.
- Do not use without installing the tip restraint. Unit can tip over causing severe injury or death. Do not exceed the recommended weight limits.
- Evenly distribute the weight on each level and always keep the heavier loads on the bottom. Before cutting, drilling or hammering into any wall or floor surface, verify the location of electrical, plumbing and gas lines. Cutting may cause serious injury.



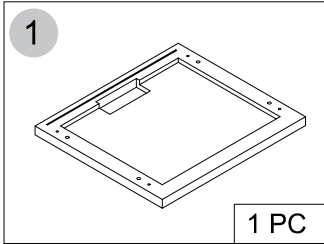
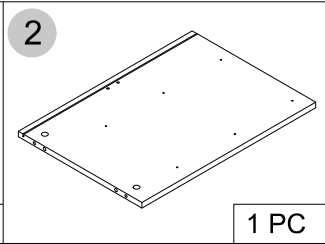
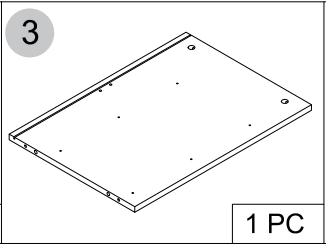
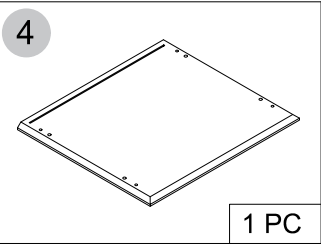
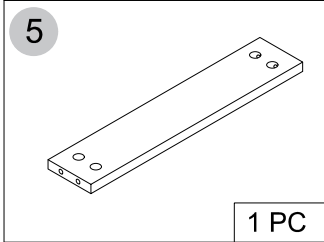
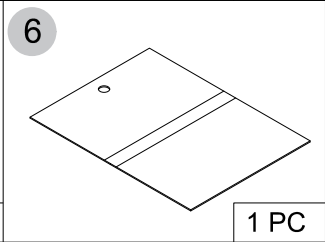
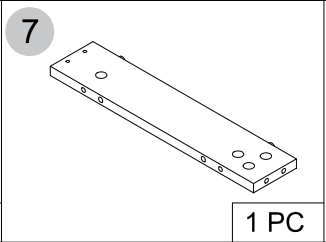
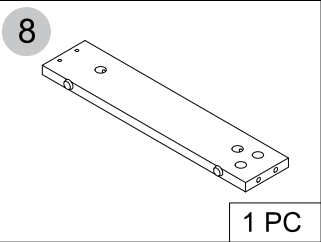
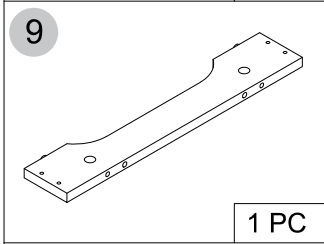
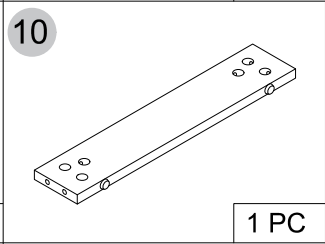
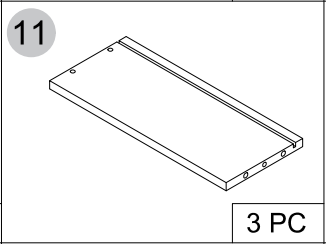
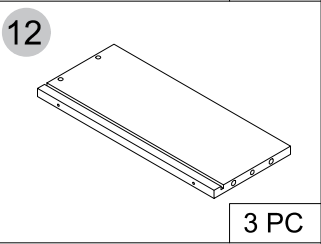
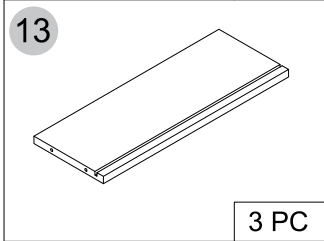
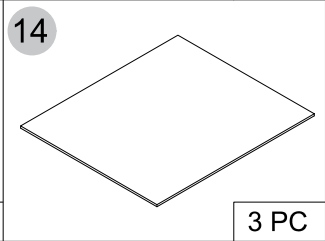
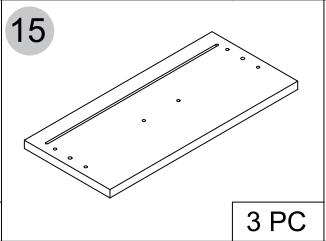
We recommend using  
a power drill to assemble.



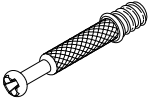
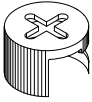
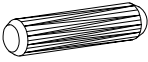
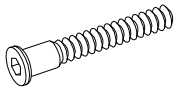
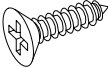

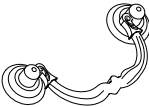

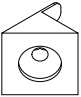
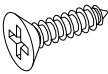
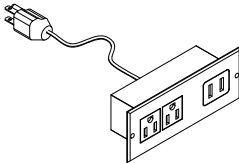
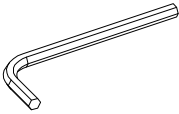
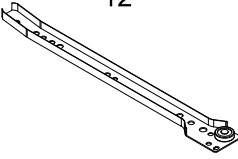
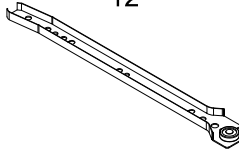
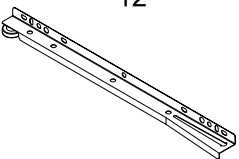
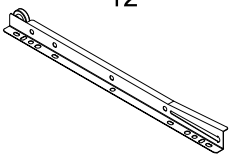
# Parts List

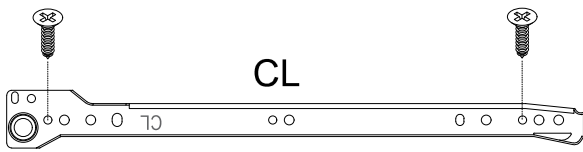


# Parts List

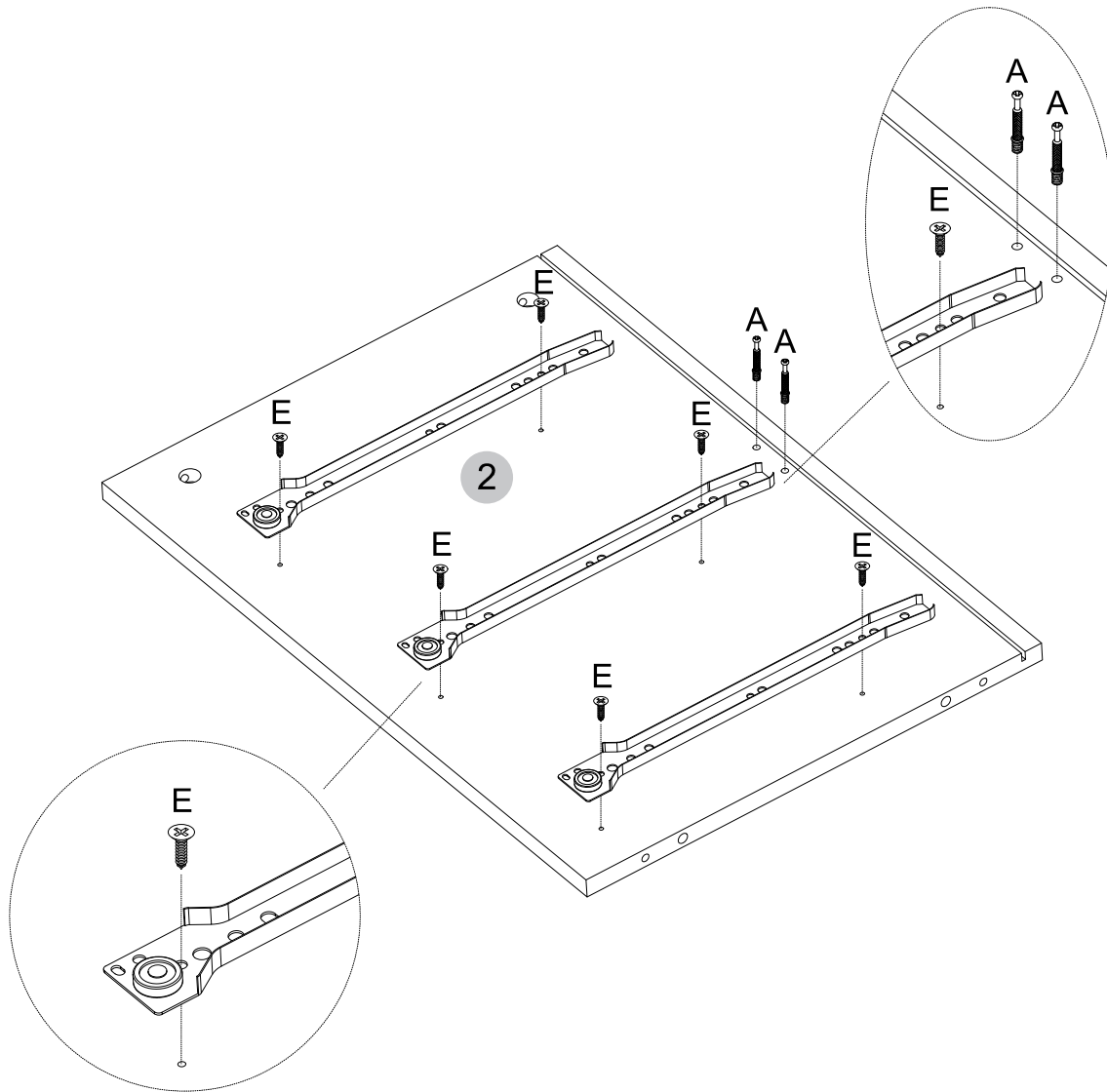
 <p>1</p> <p>1 PC</p>	 <p>2</p> <p>1 PC</p>	 <p>3</p> <p>1 PC</p>	 <p>4</p> <p>1 PC</p>
 <p>5</p> <p>1 PC</p>	 <p>6</p> <p>1 PC</p>	 <p>7</p> <p>1 PC</p>	 <p>8</p> <p>1 PC</p>
 <p>9</p> <p>1 PC</p>	 <p>10</p> <p>1 PC</p>	 <p>11</p> <p>3 PC</p>	 <p>12</p> <p>3 PC</p>
 <p>13</p> <p>3 PC</p>	 <p>14</p> <p>3 PC</p>	 <p>15</p> <p>3 PC</p>	

# Hardware List

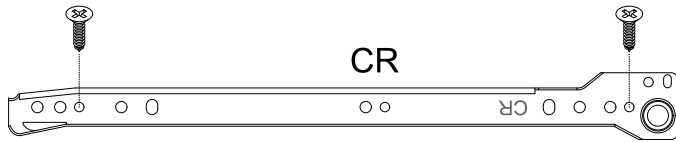
 <b>A</b> 36+3 PCS	$\text{\O}15*10\text{MM}$  <b>B</b> 36+3 PCS	$\text{\O}8*30\text{MM}$  <b>C</b> 16+1 PCS	$\text{\O}5*48\text{MM}$  <b>D</b> 16+1 PCS
$\text{\O}3.0*12\text{MM}$  <b>E</b> 26+2 PCS	$\text{M4*10MM}$  <b>F</b> 6 PCS	$73\text{MM}$  <b>G</b> 3PCS	$\text{\O}6*30\text{MM}$  <b>H</b> 6 PCS
 <b>I</b> 8PCS	$\text{\O}3.0*16\text{MM}$  <b>J</b> 8 PCS	 <b>K</b> 1PCS	$\text{M3}$  <b>L</b> 1PCS
$12''$  <b>CL</b> 3 PCS	$12''$  <b>CR</b> 3 PCS	$12''$  <b>DL</b> 3 PCS	$12''$  <b>DR</b> 3 PCS



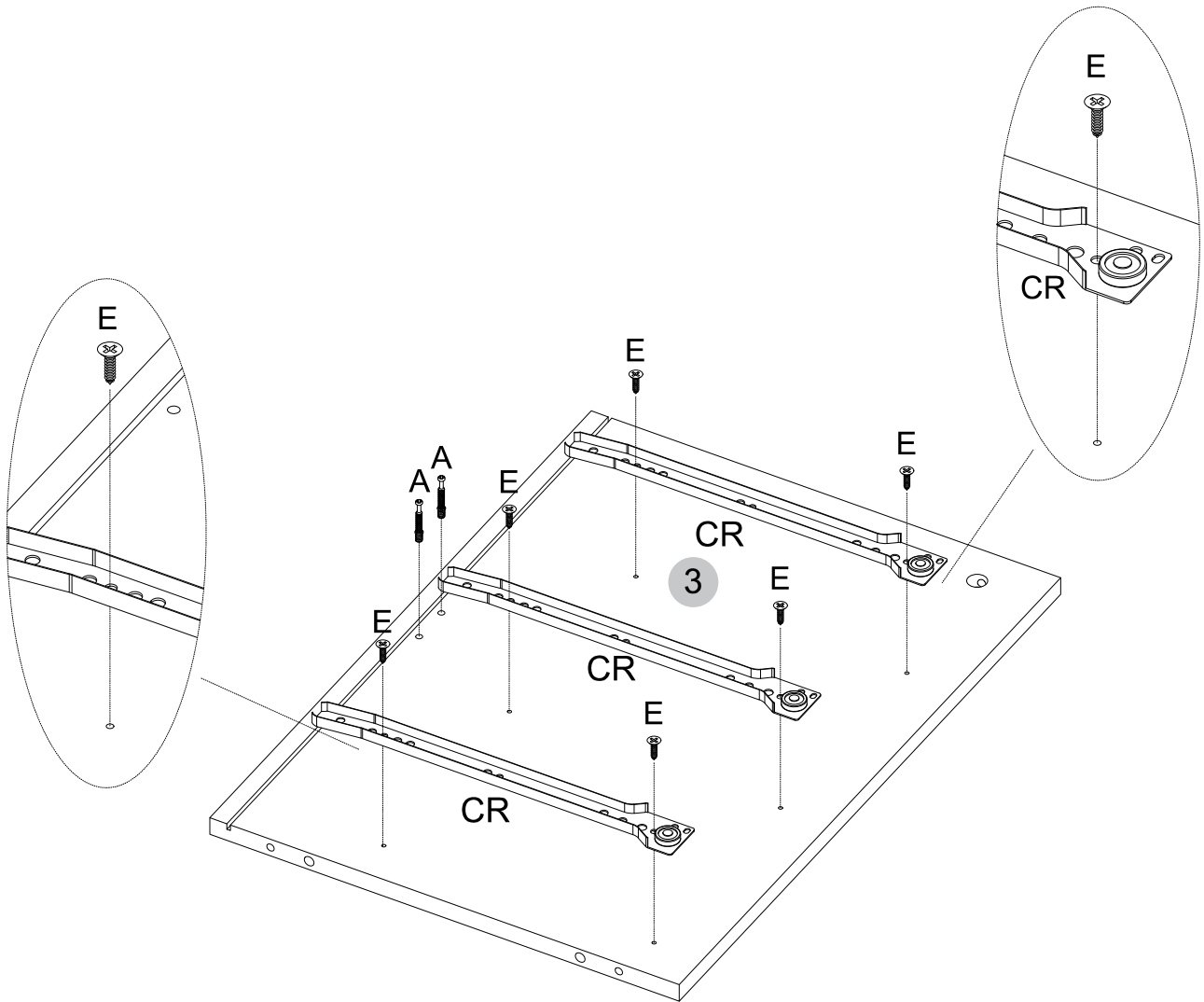
Note: Screw E can only be installed in the 1st hole at the front of the CL and the 3rd hole at the end



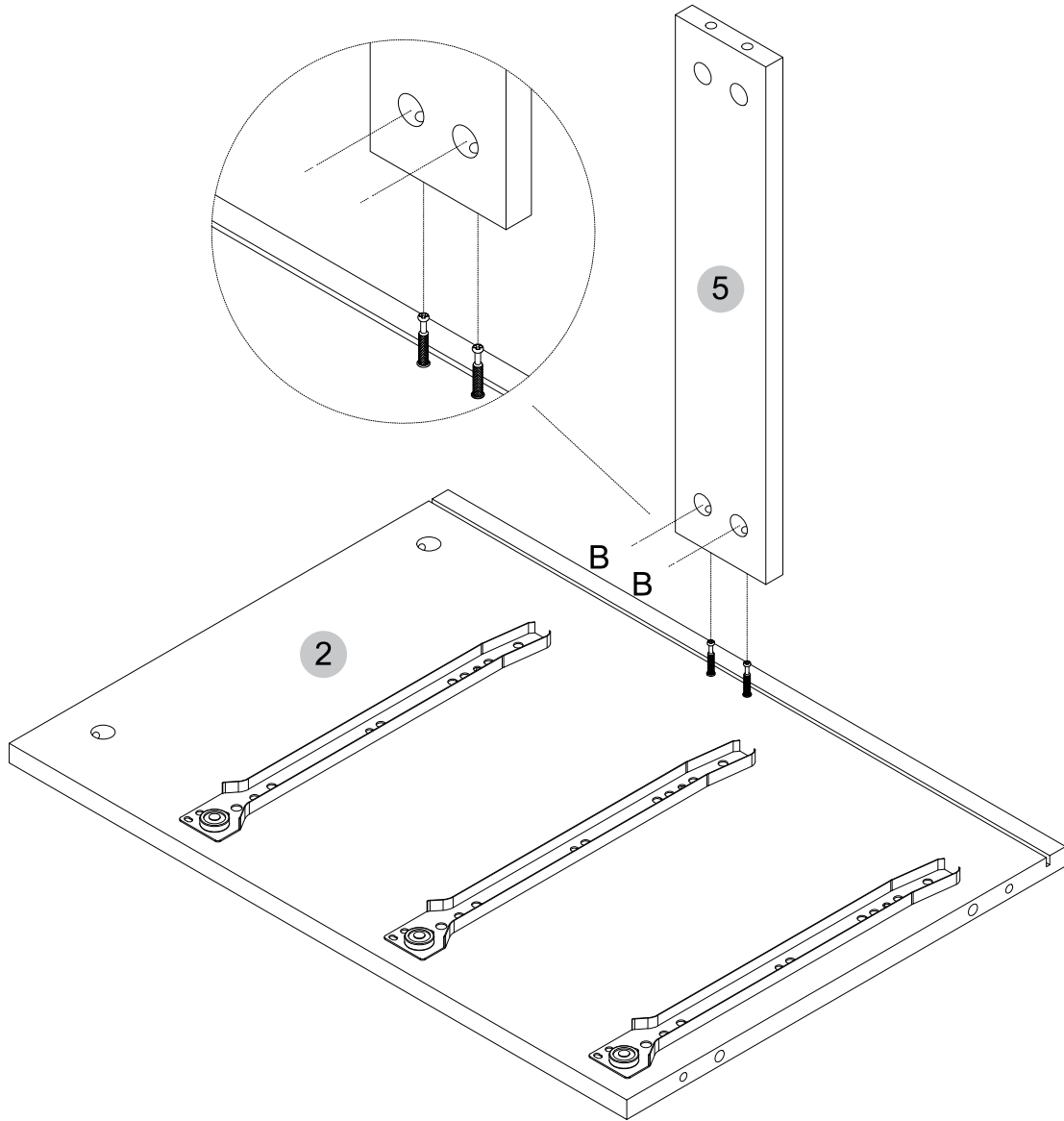
A	2		E	6		CL	3	
---	---	---	---	---	---	----	---	---



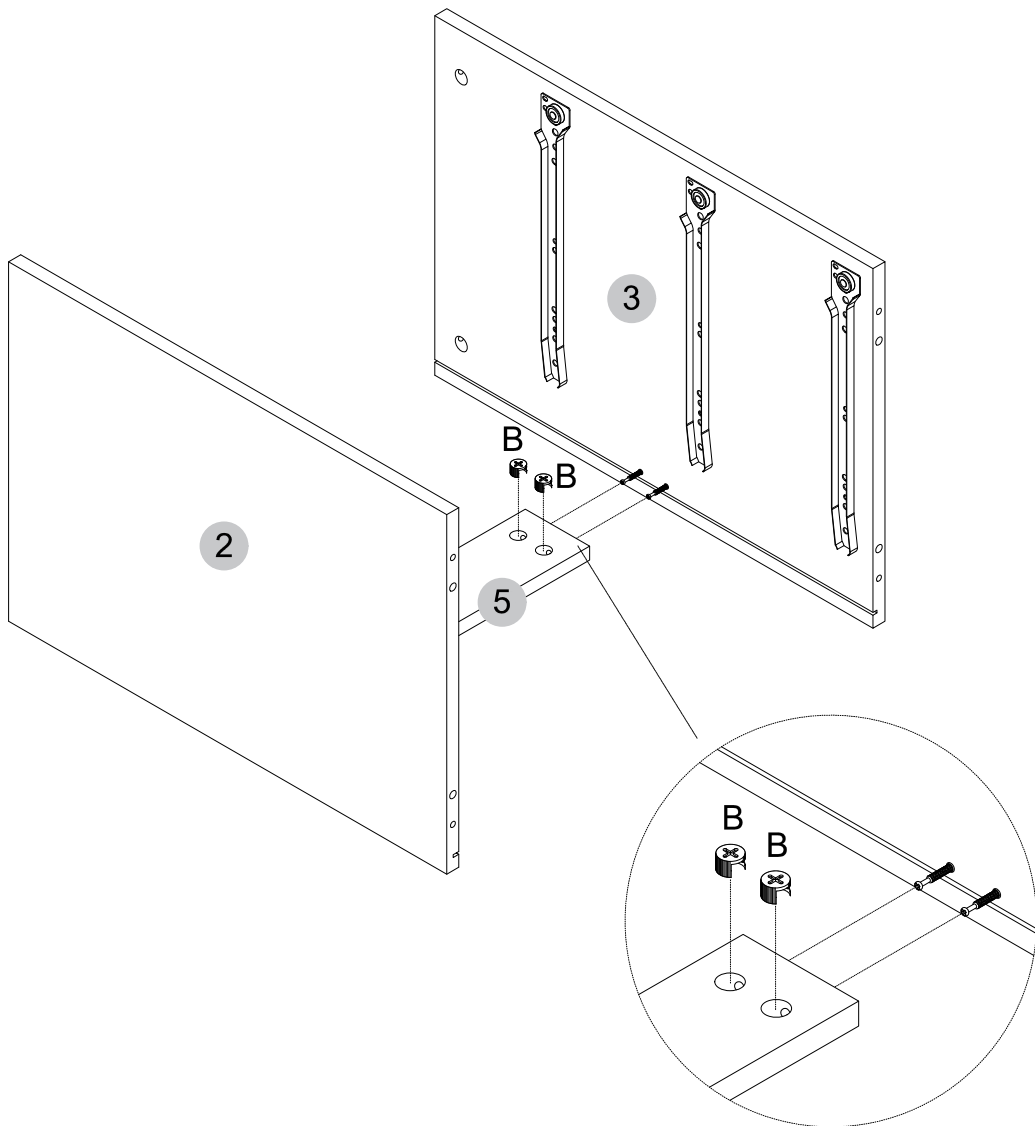
Note: Screw E can only be installed in the 1st hole at the front of the CR and the 3rd hole at the end




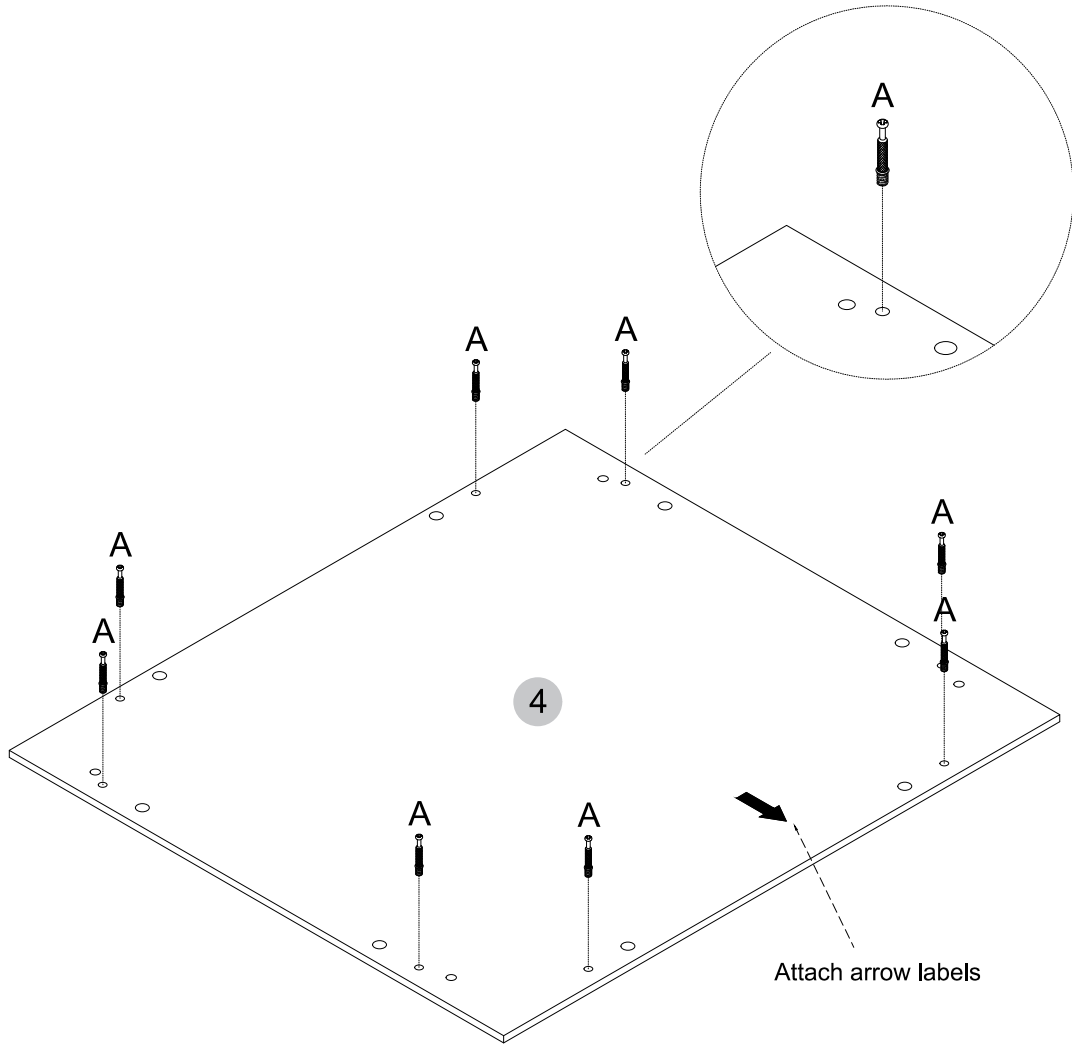
A	2		E	6		CR	3	
---	---	---	---	---	---	----	---	---



B	2	
---	---	---

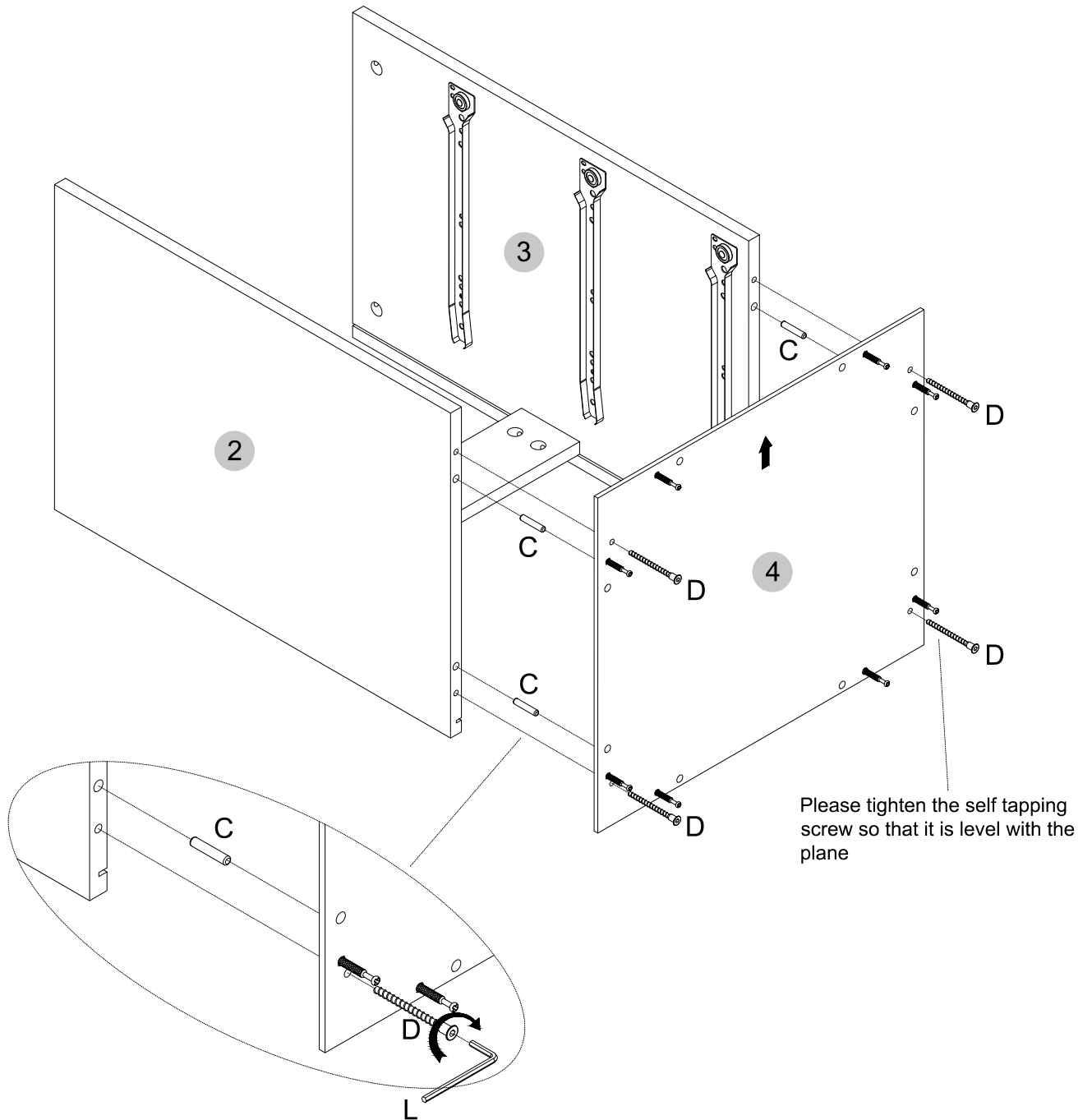


B	2	
---	---	---

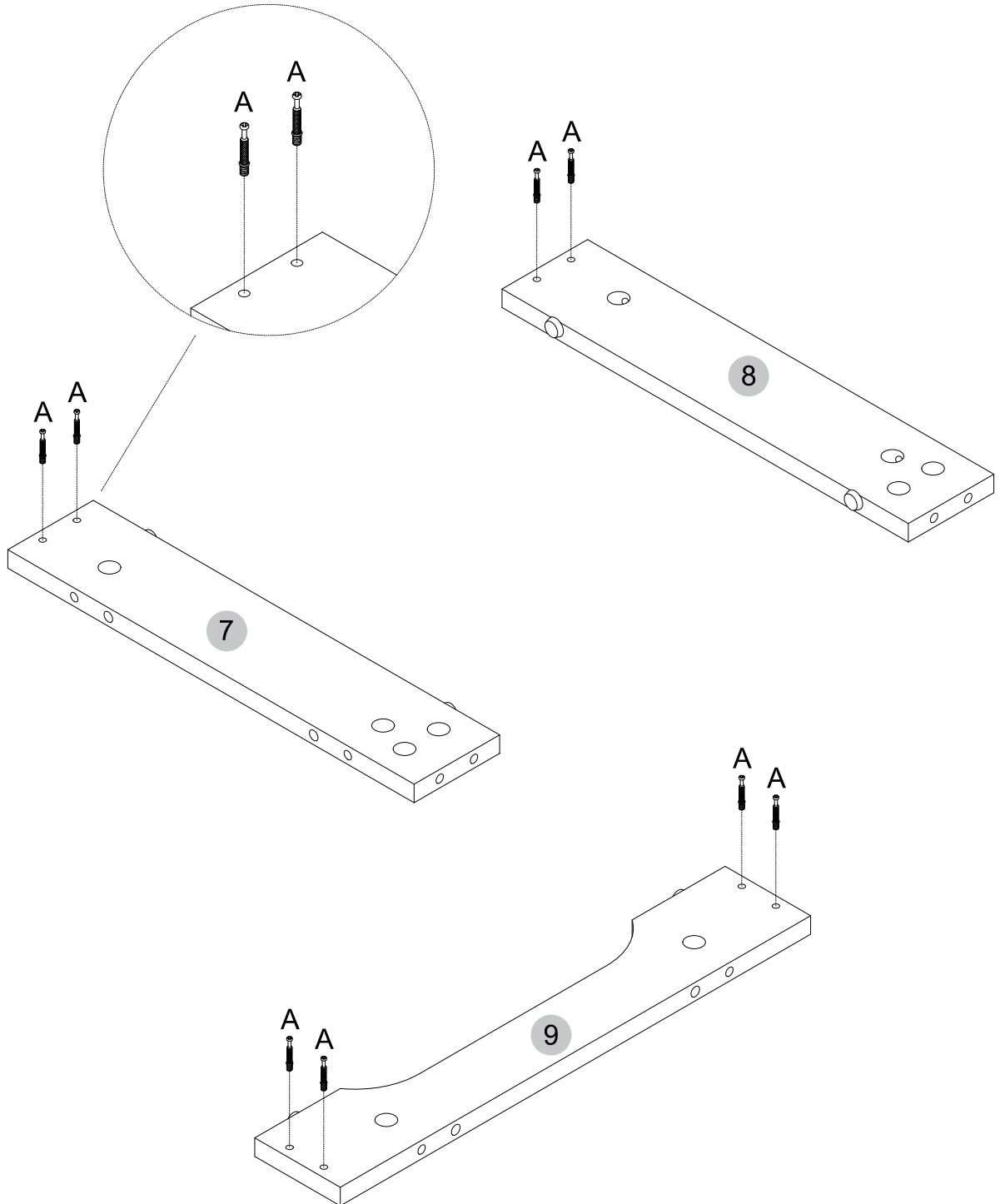



Installation on the reverse side of the base plate

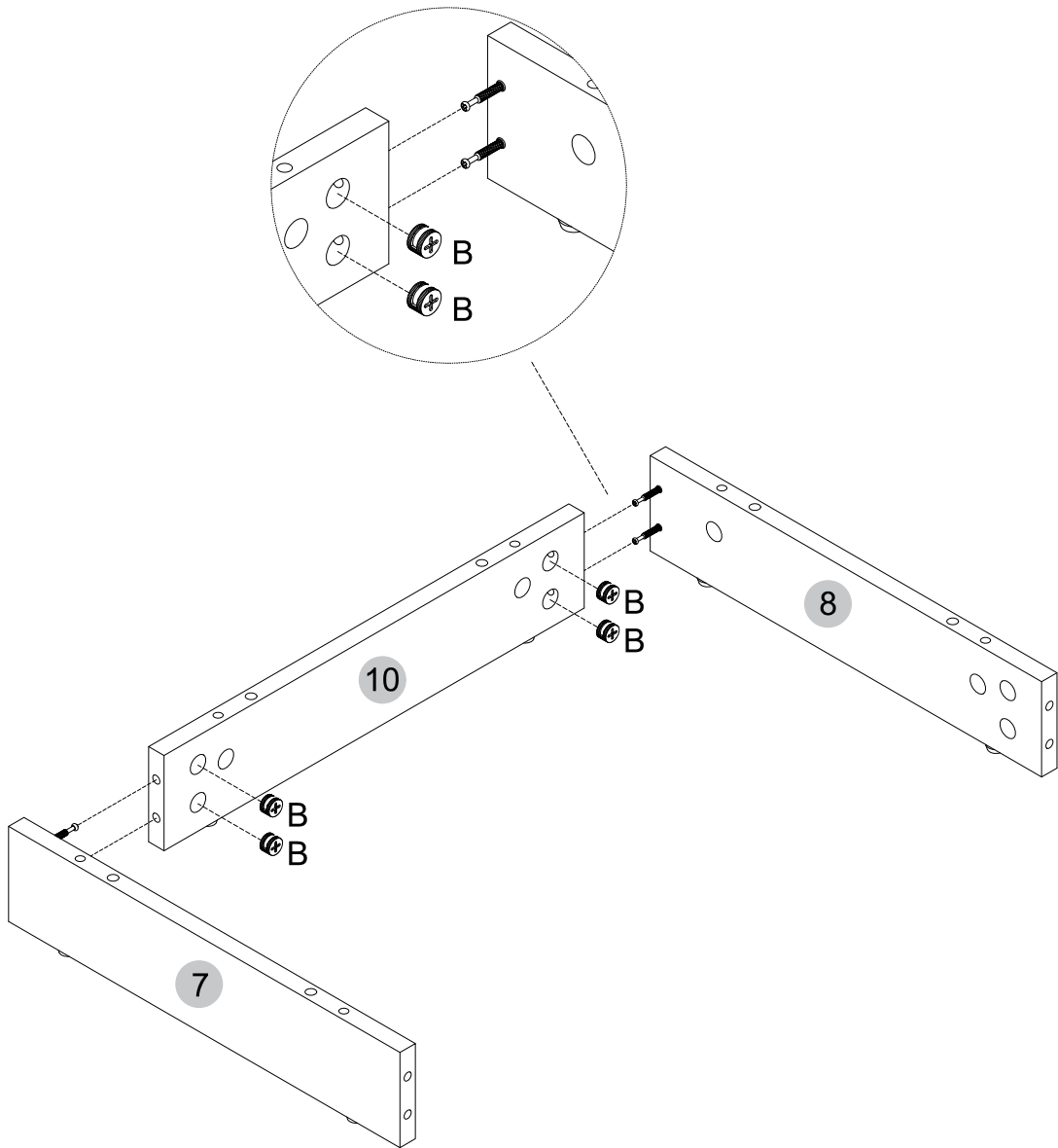
A	8	
---	---	---



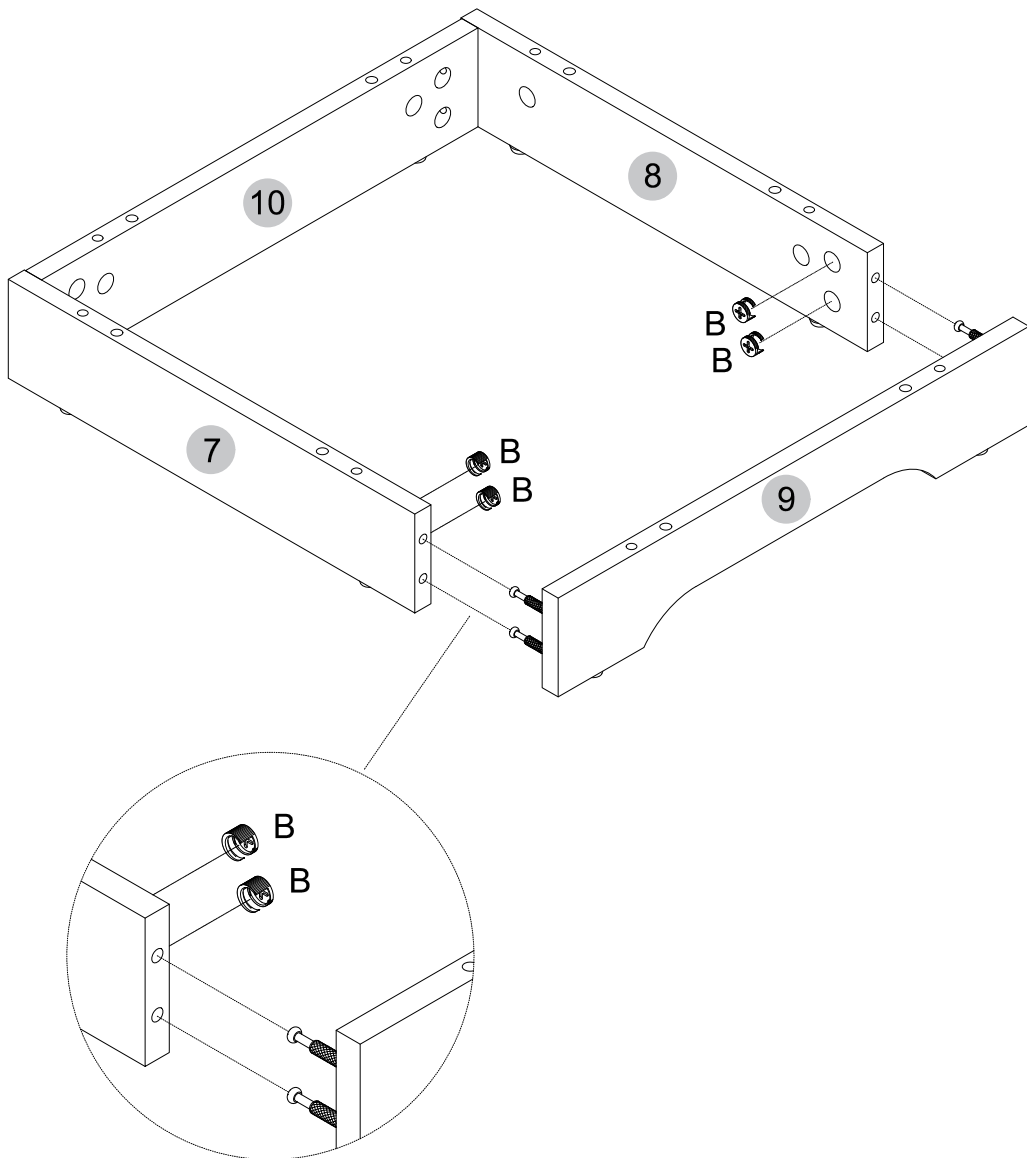
C	4		D	4		L	
---	---	---	---	---	---	---	---




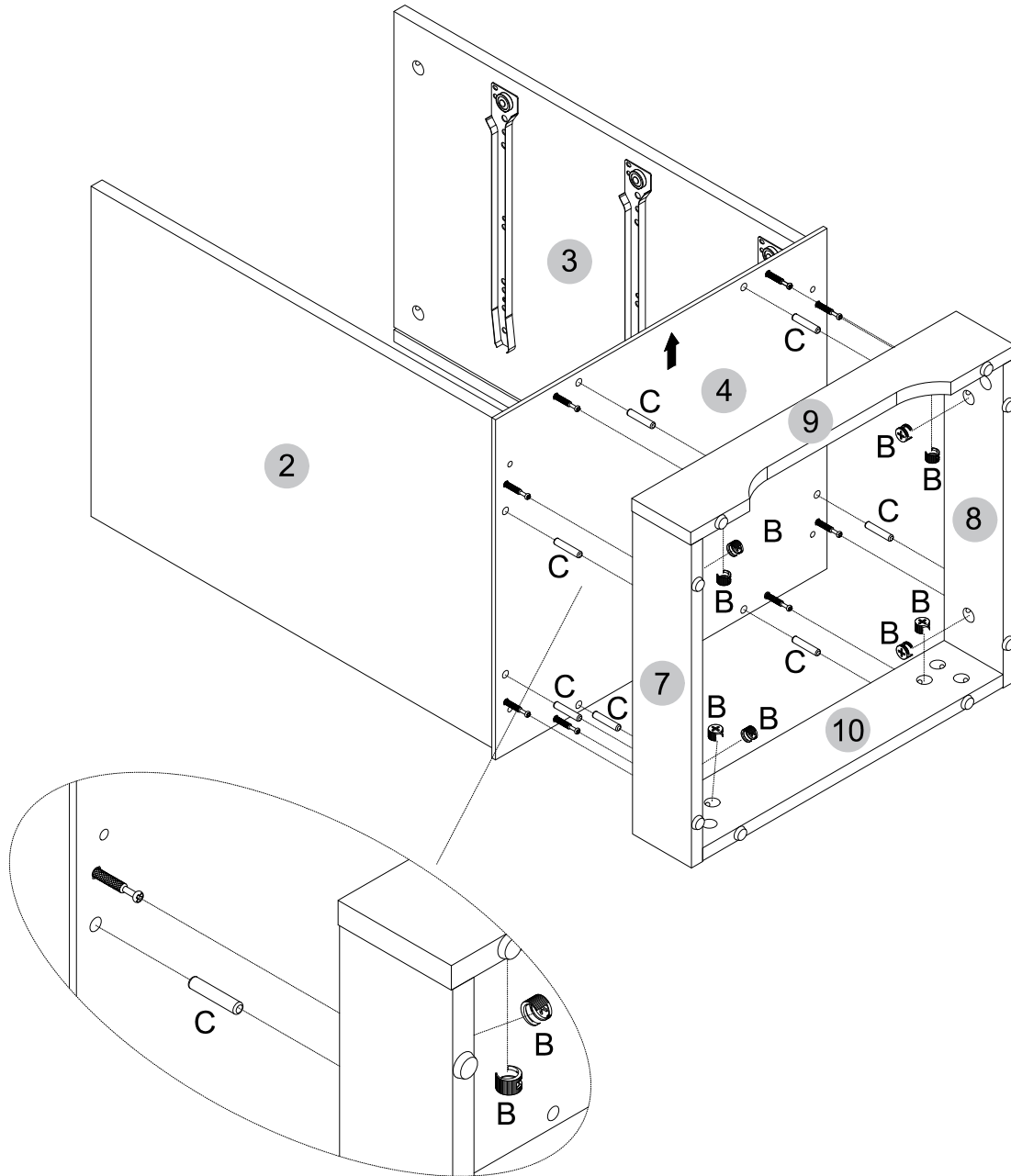
A	8	
---	---	---





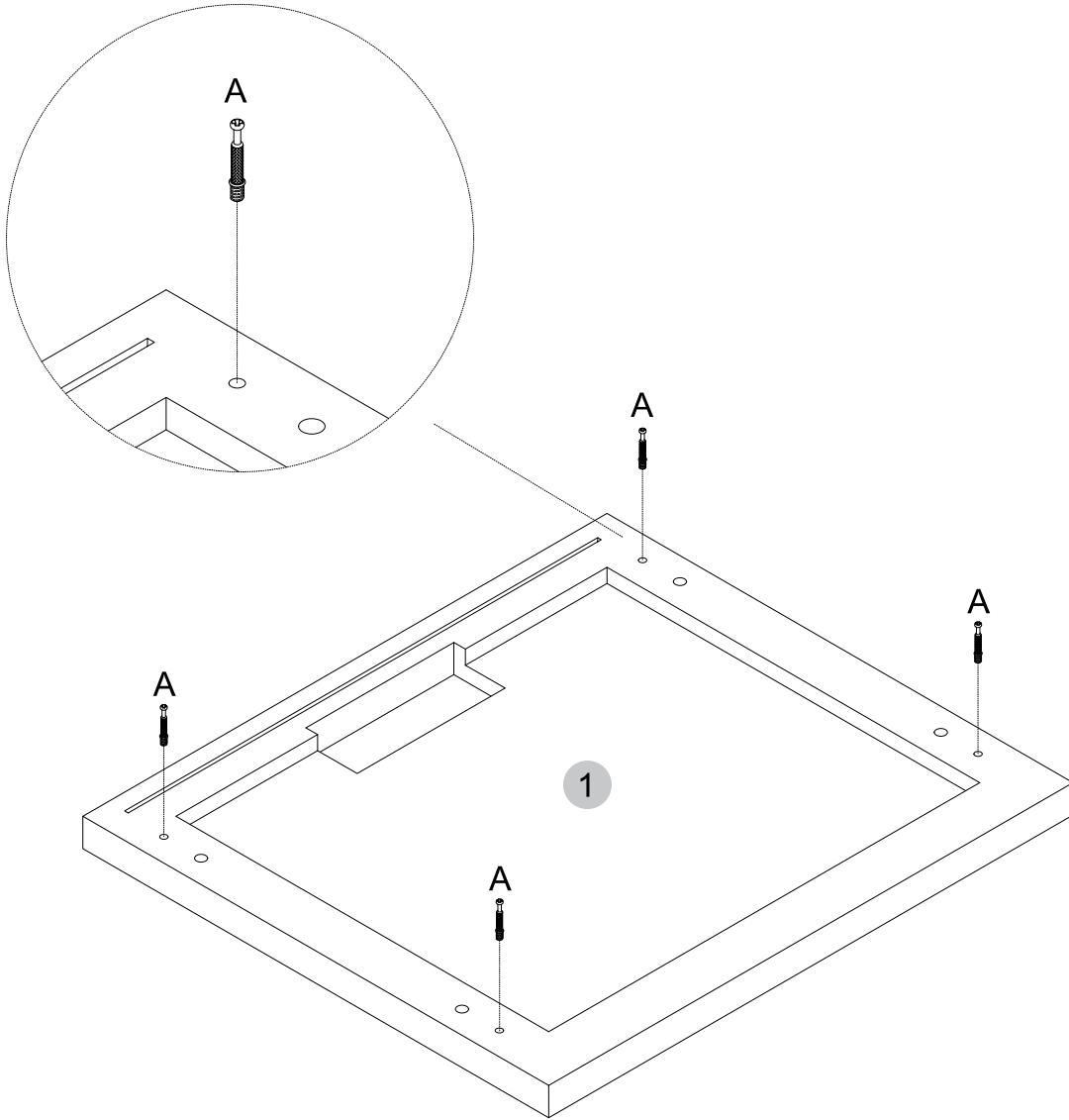
B	4	
---	---	---




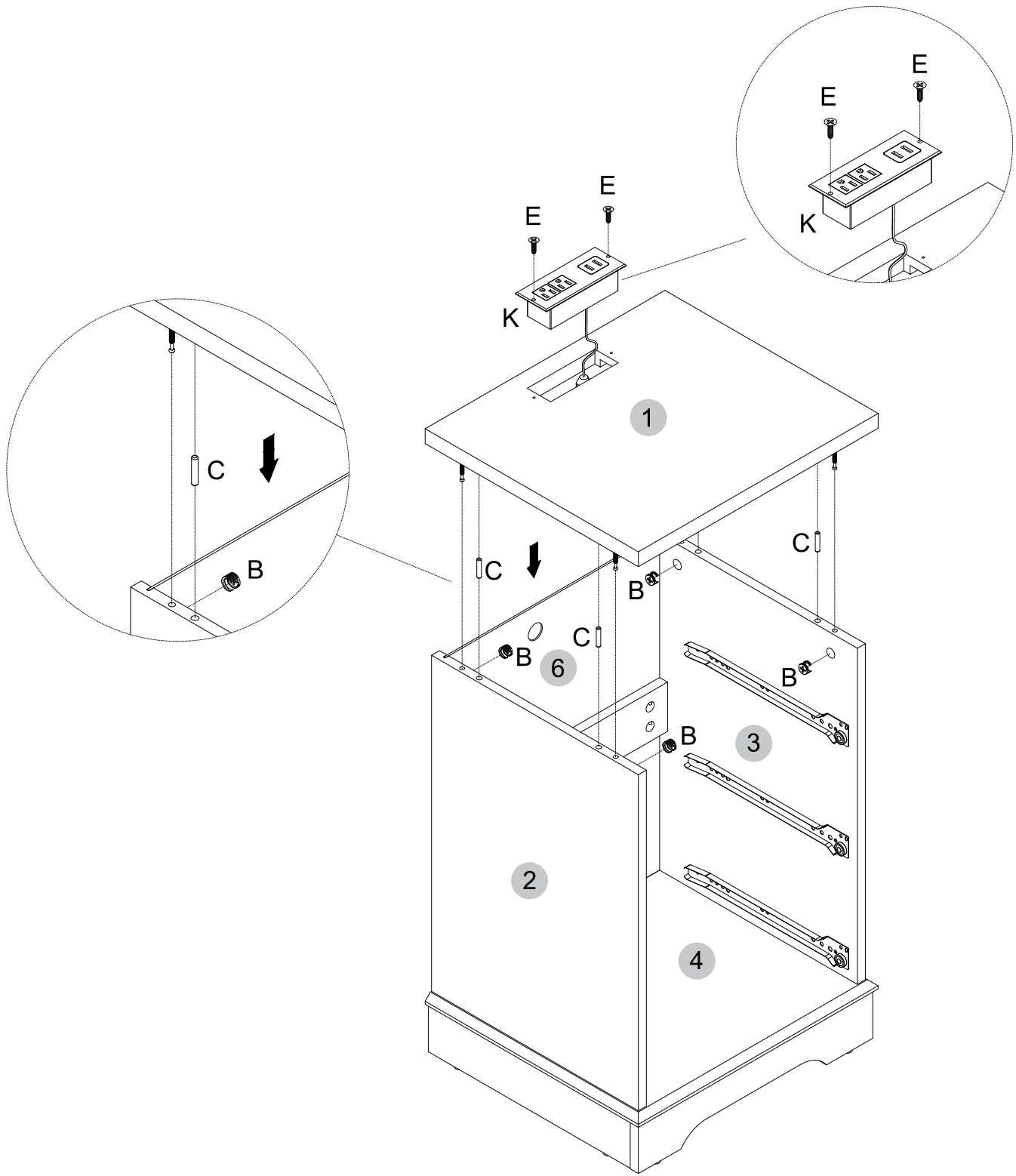
B	4	
---	---	---



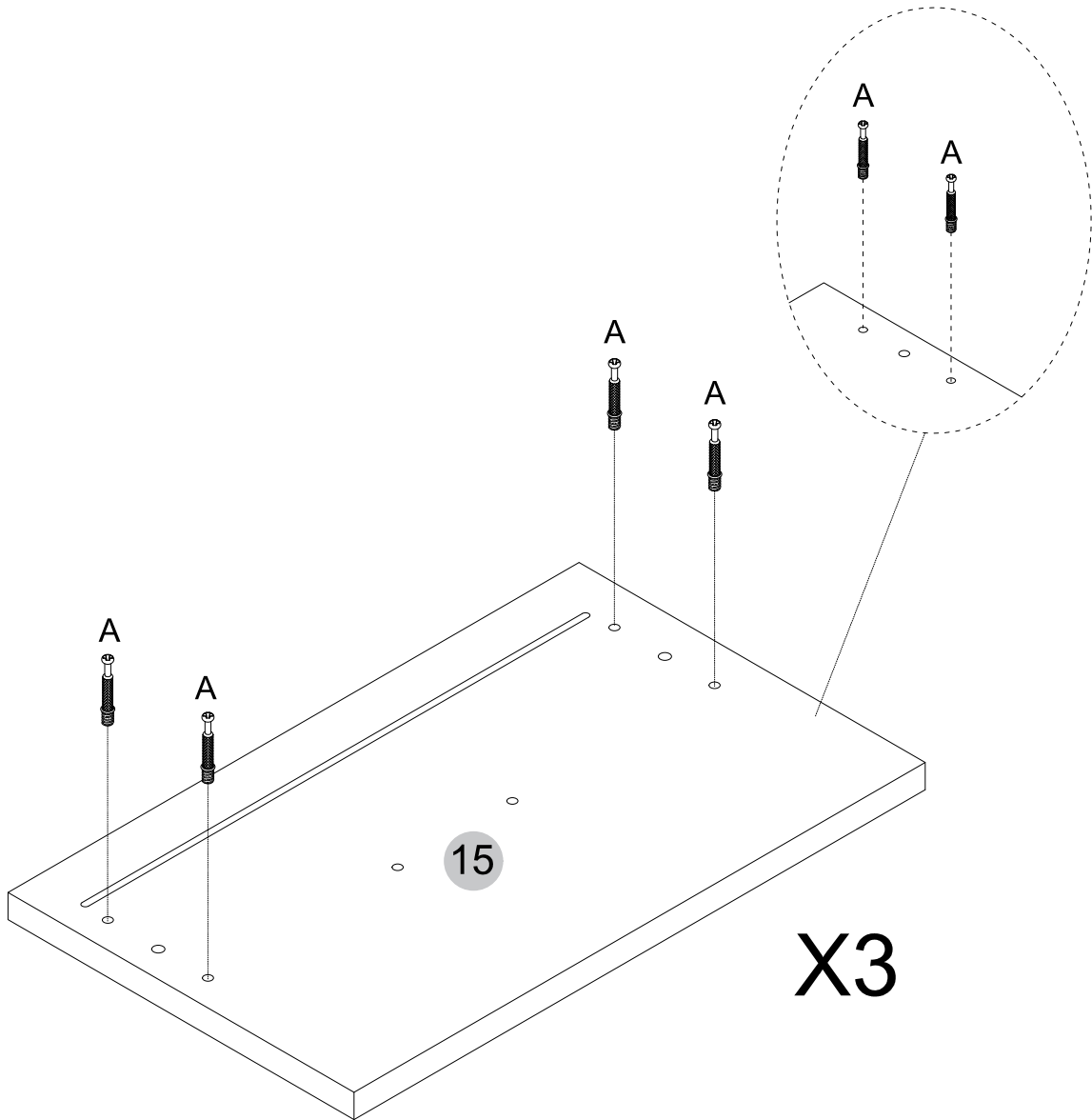
B	8		C	8	
---	---	---	---	---	---



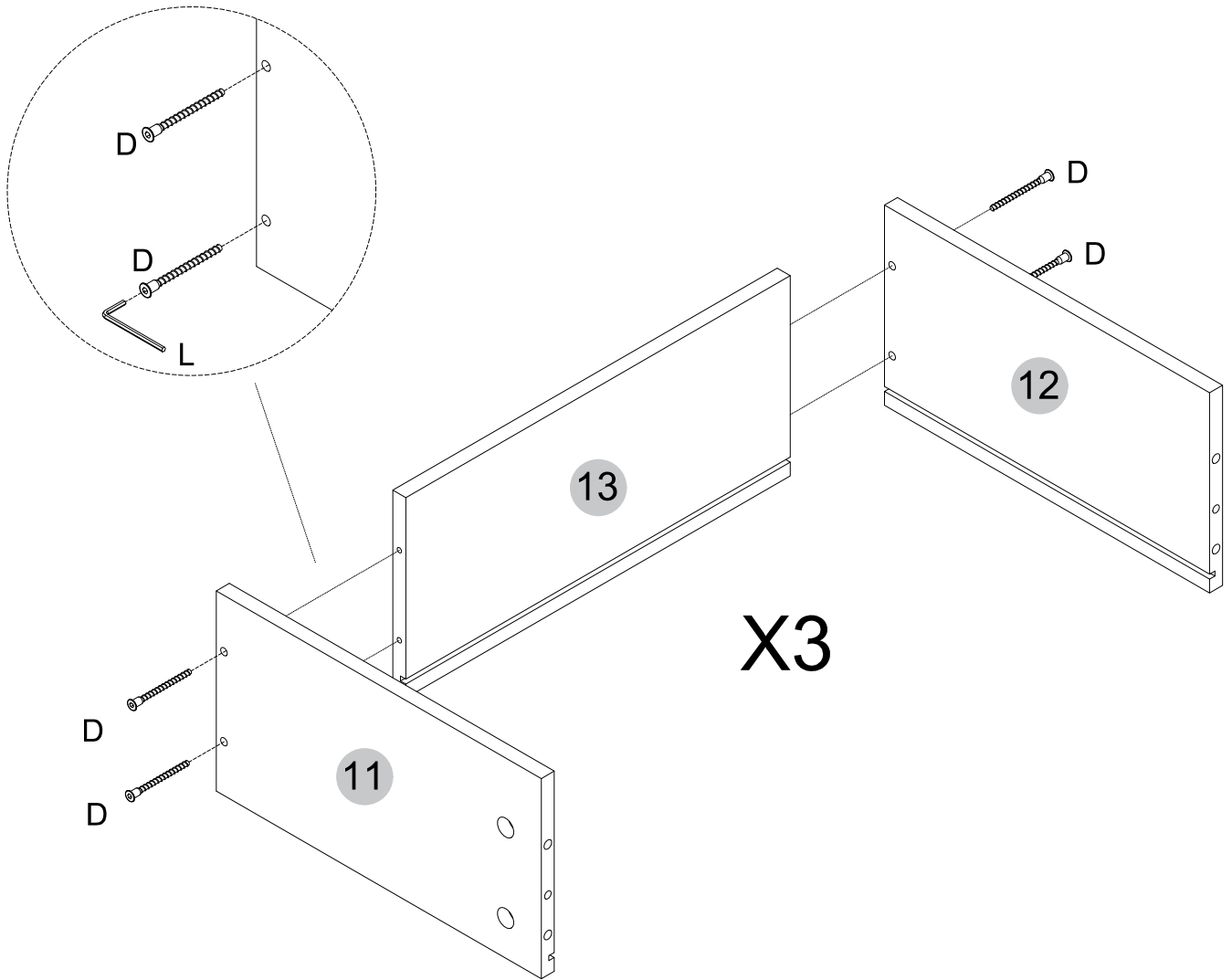
A	4	
---	---	---




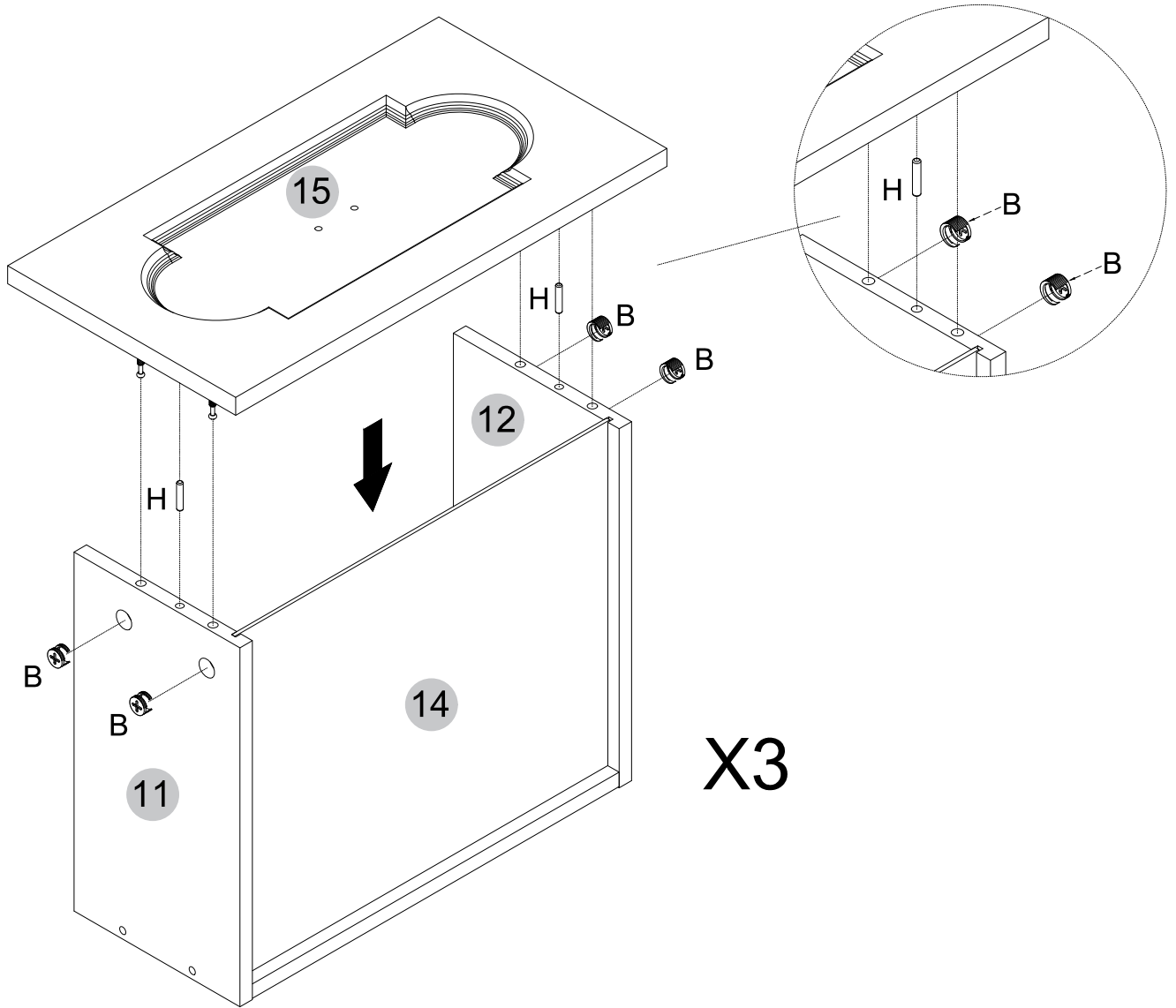
B	4		C	4		E	2		K	1	
---	---	---	---	---	---	---	---	---	---	---	---




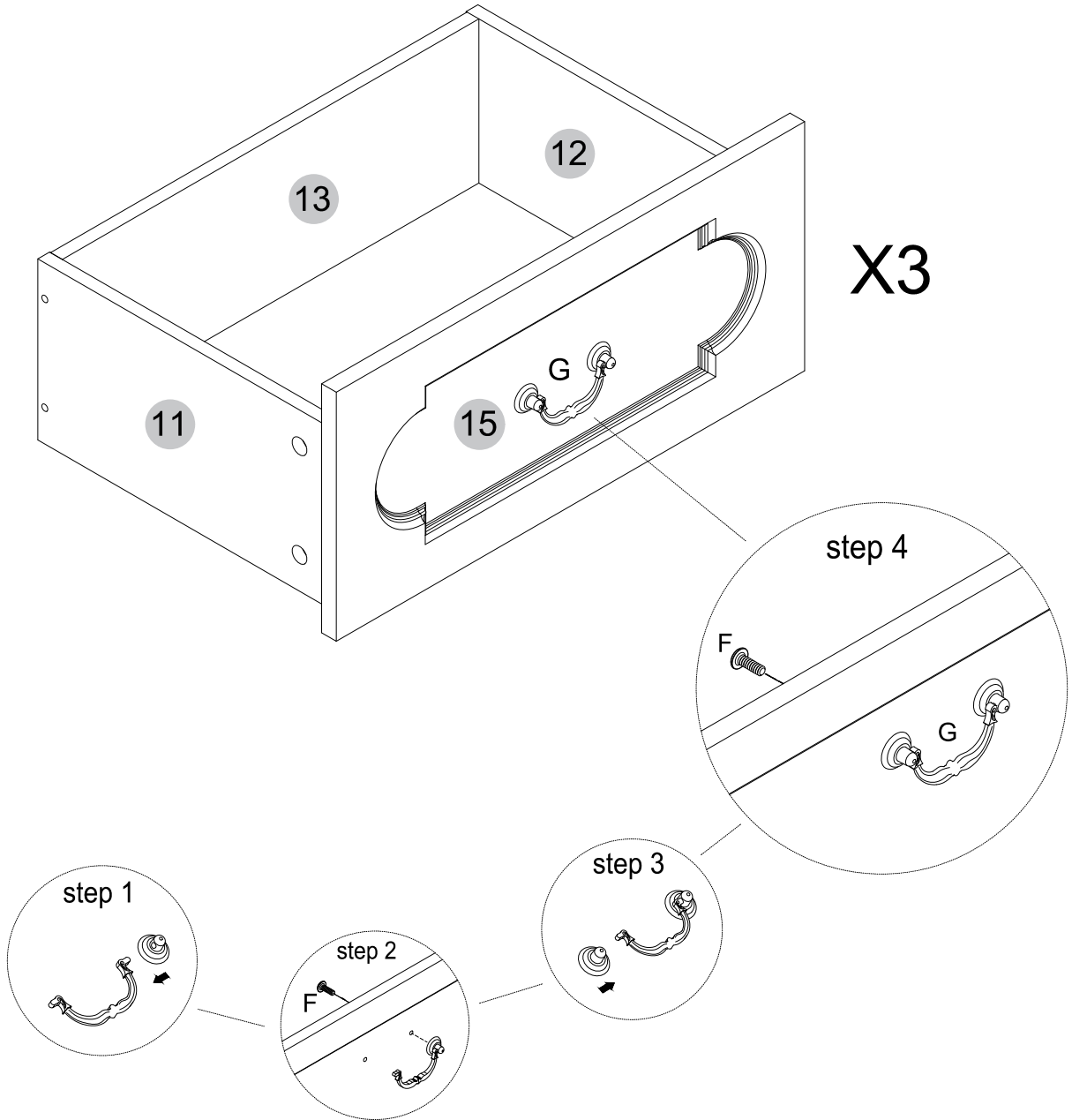
A	12	
---	----	---



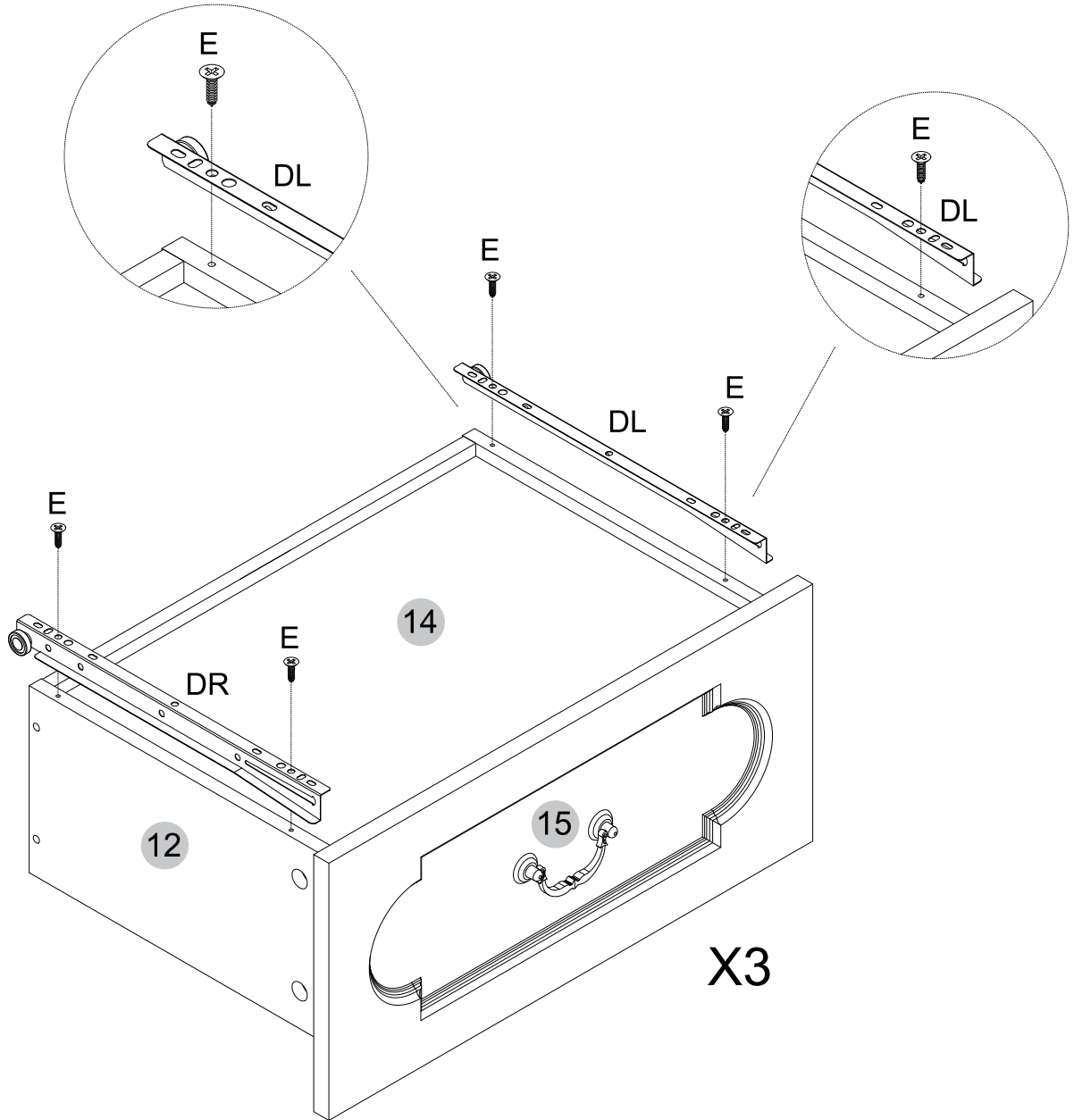
D	12		L		
---	----	---	---	--	---




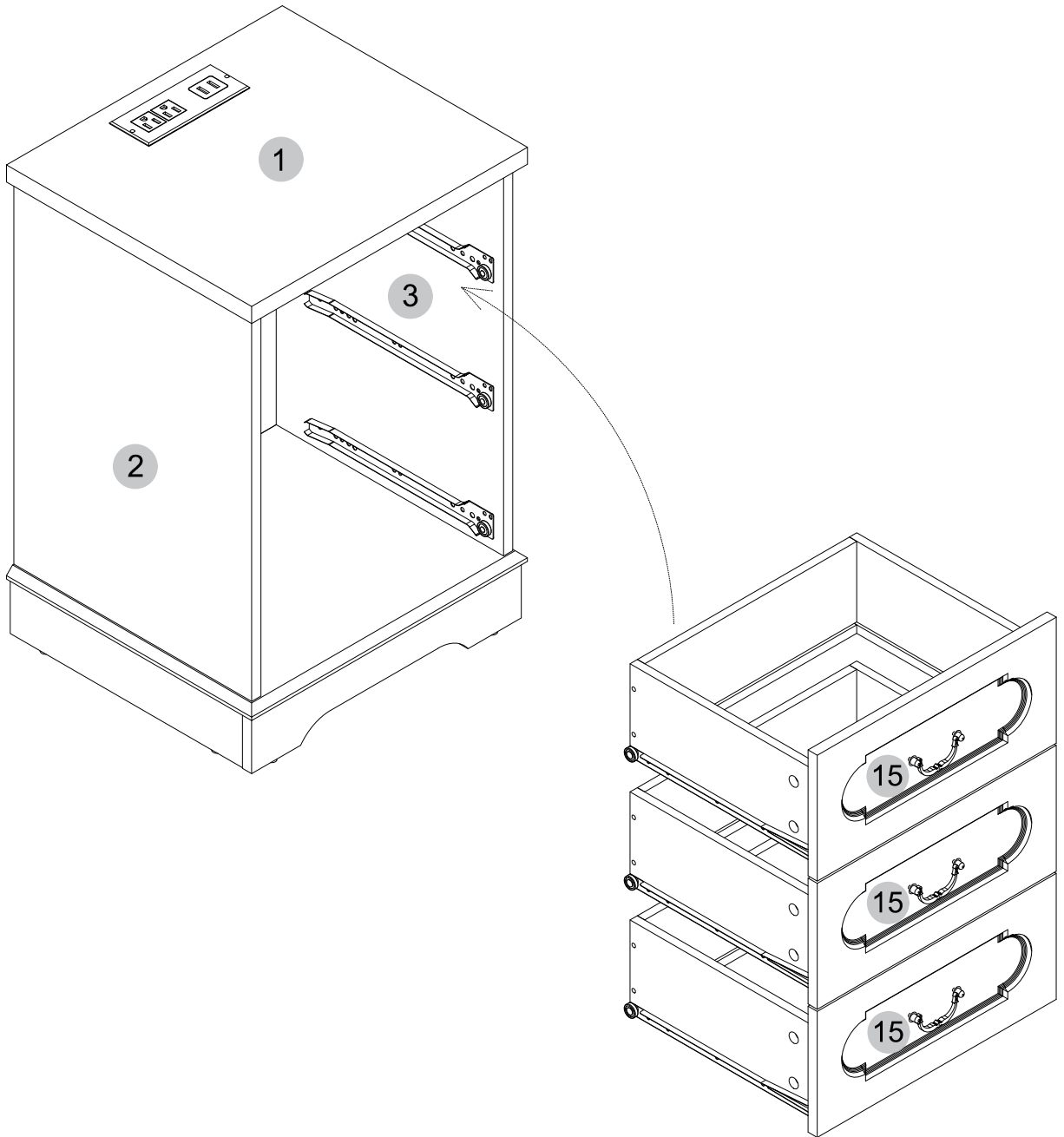
B	12		H	6	
---	----	---	---	---	---

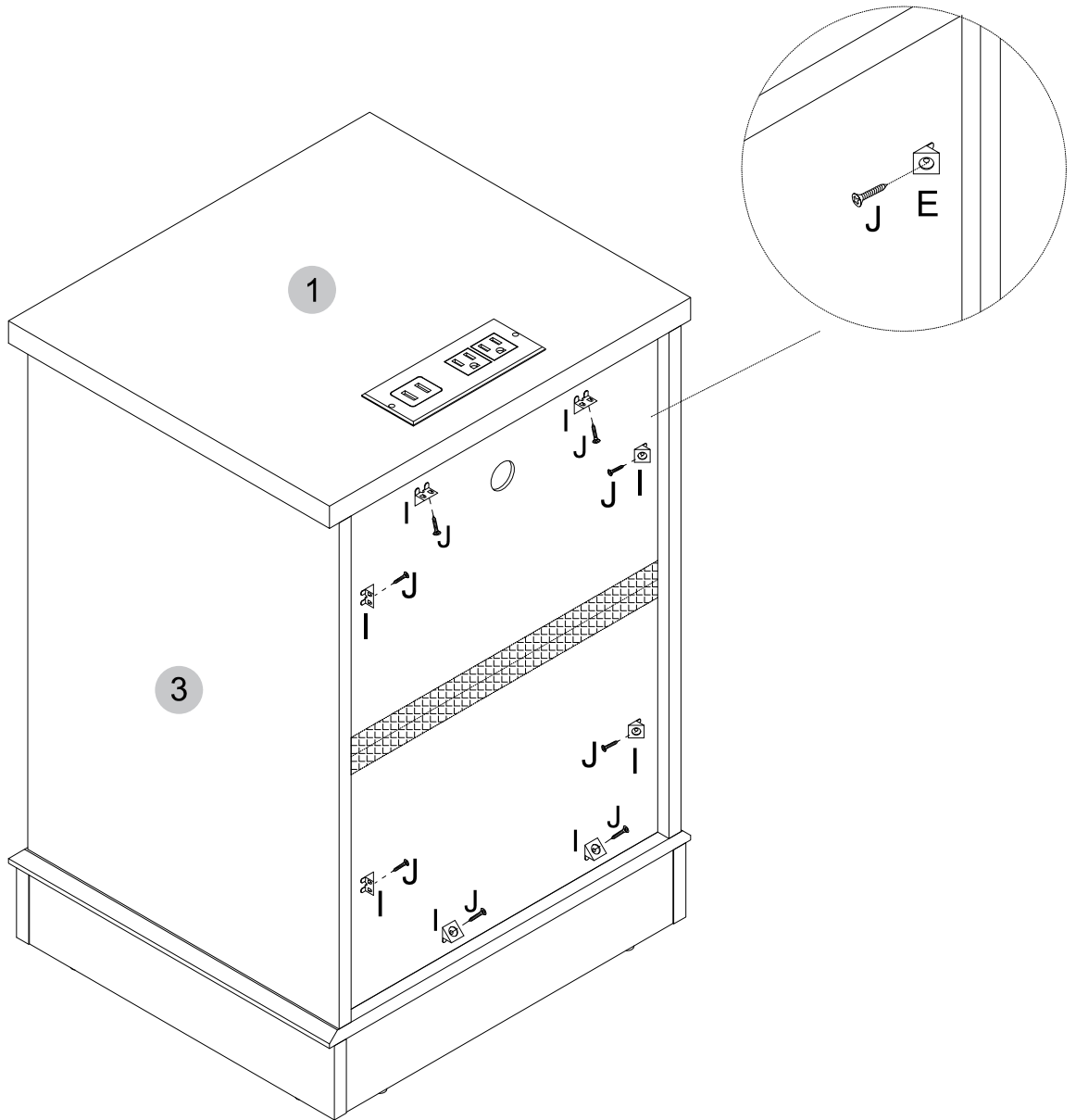




F	6		G	3	
---	---	---	---	---	---



DL	3		DR	3		E	12	
----	---	---	----	---	---	---	----	---





I	8		J	8	
---	---	---	---	---	---

