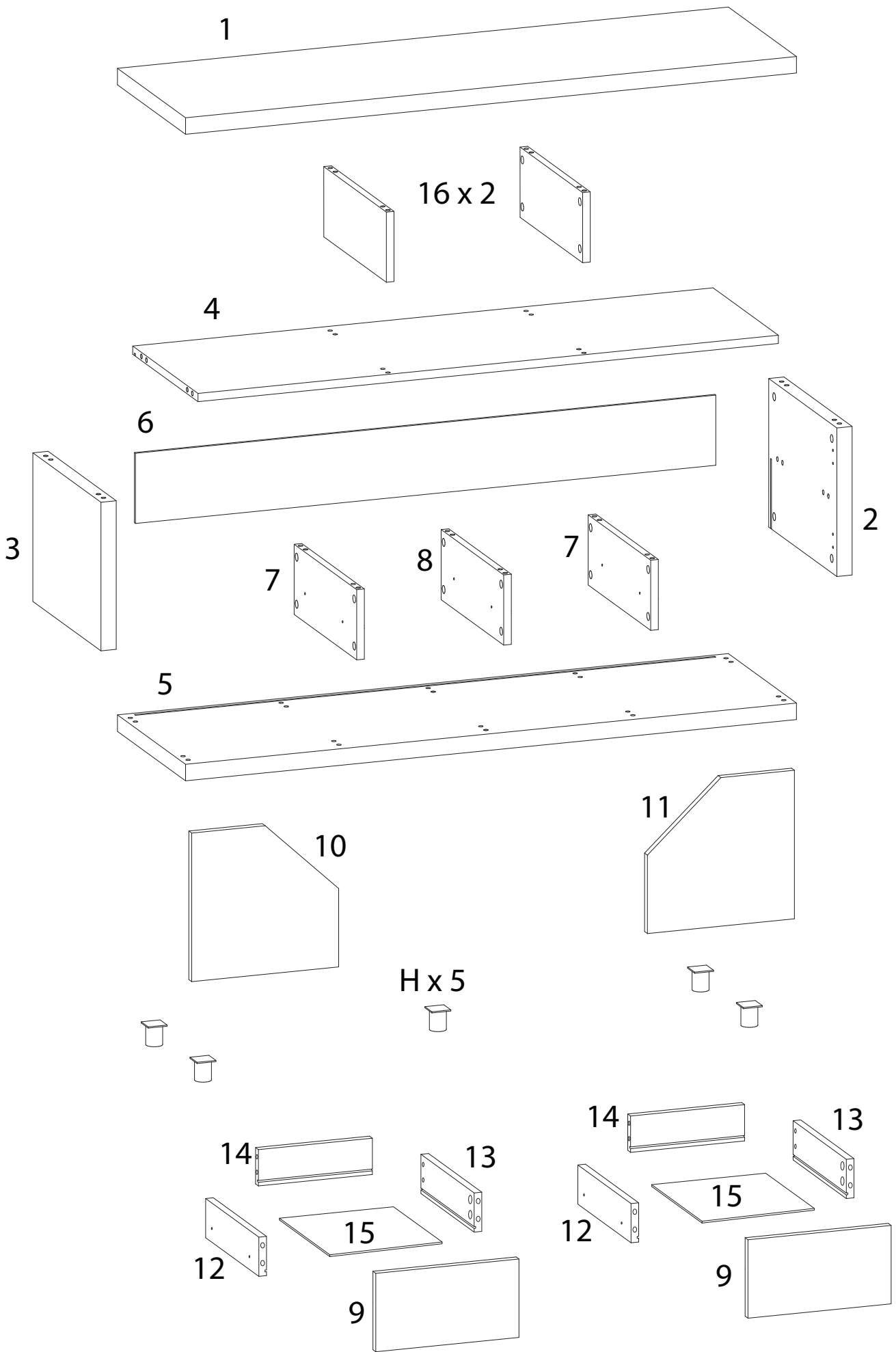
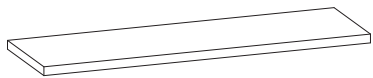


60'

2

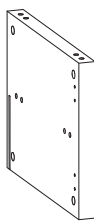


1



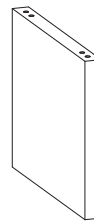
x 1

2



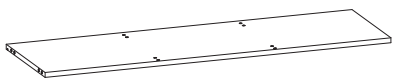
x 1

3



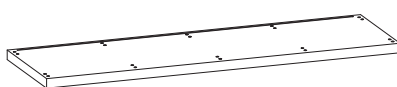
x 1

4



x 1

5



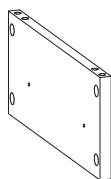
x 1

6



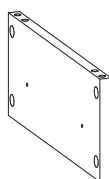
x 1

7



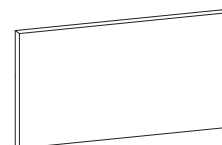
x 2

8



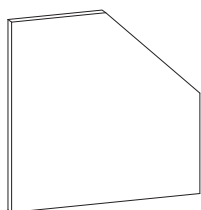
x 1

9



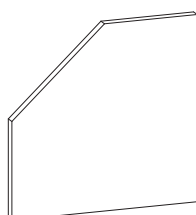
x 2

10



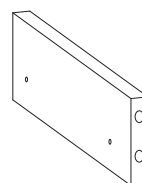
x 1

11



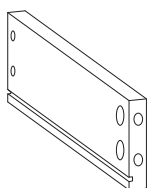
x 1

12



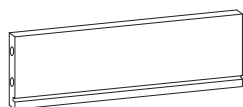
x 2

13



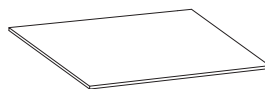
x 2

14



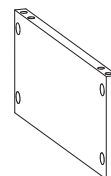
x 2

15



x 2

16



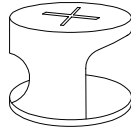
x 2

A1



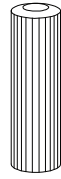
x 48

A2



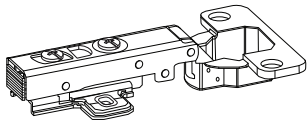
x 48

B



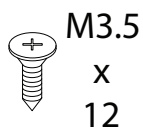
x 32

C



x 4

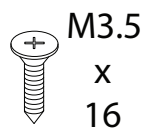
D



M3.5
x
12

x 32

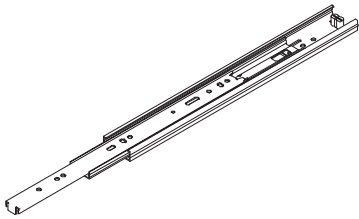
E



M3.5
x
16

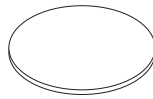
x 20

F



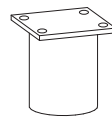
x 4

G



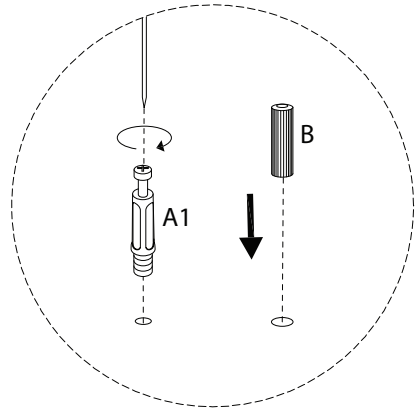
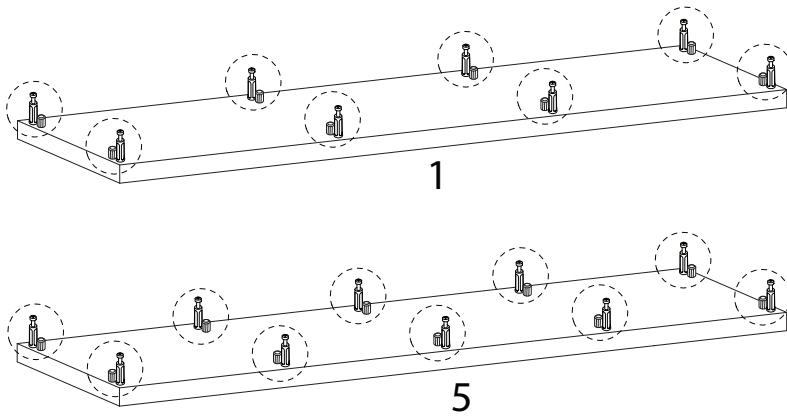
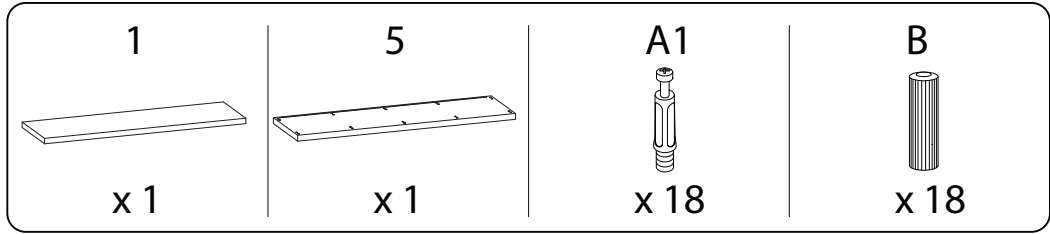
x 12

H

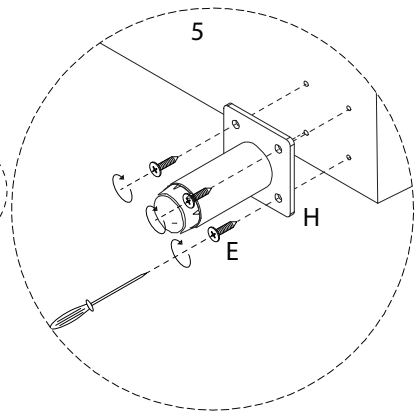
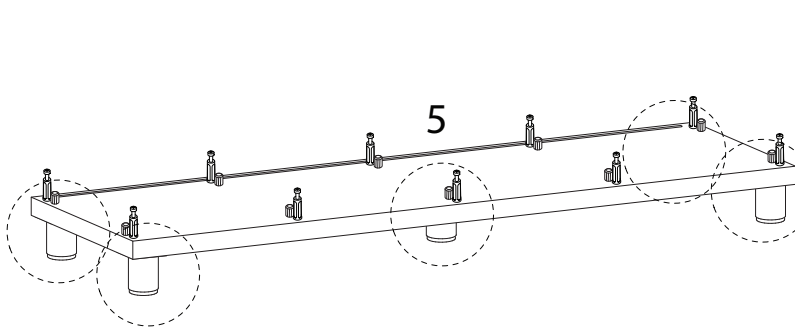
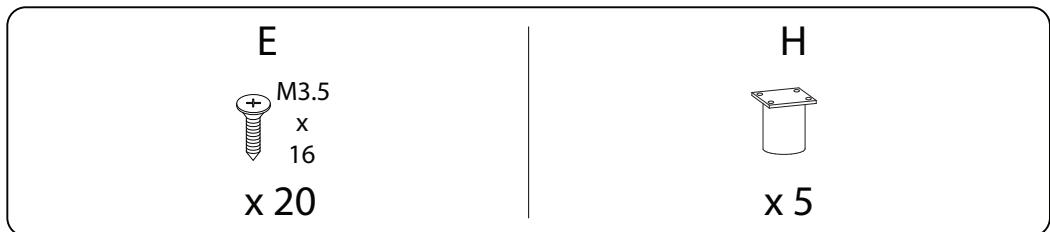


x 5

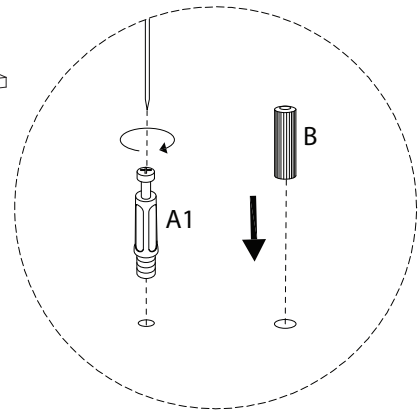
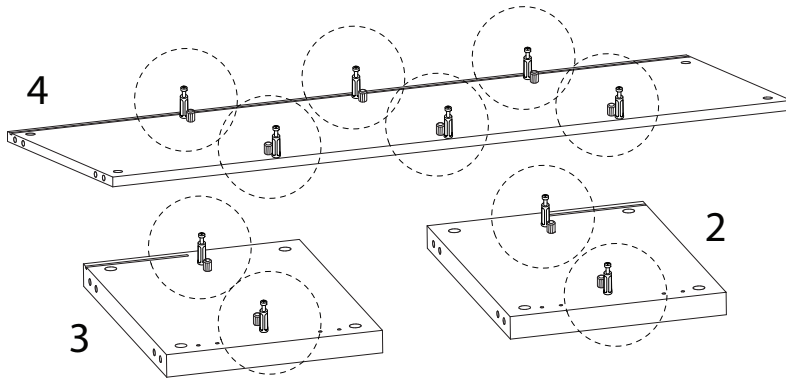
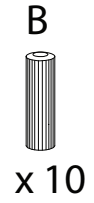
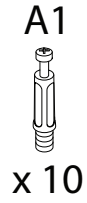
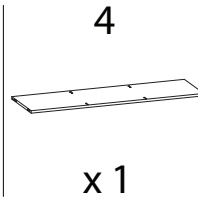
1



2



3

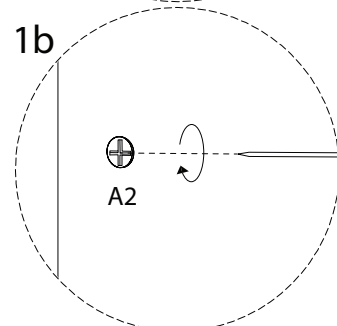
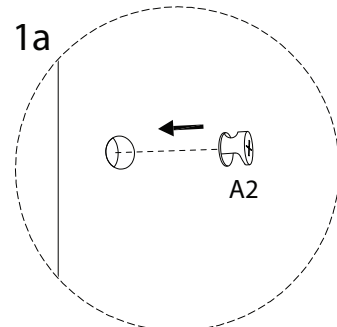
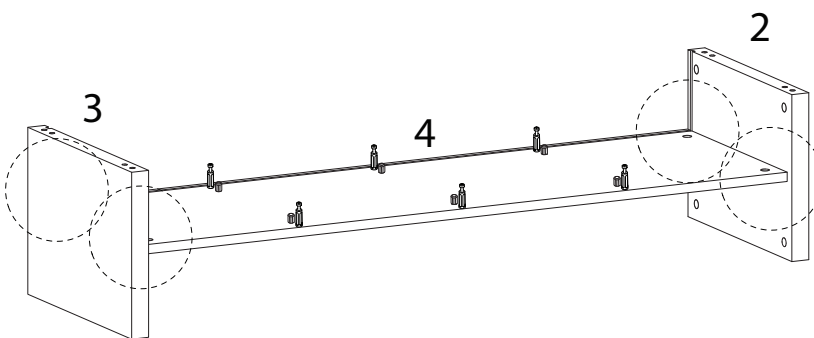


4

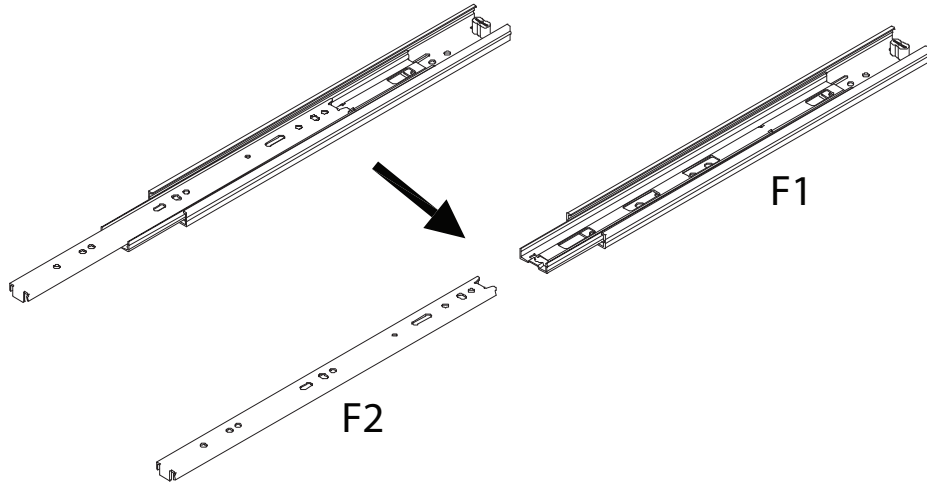
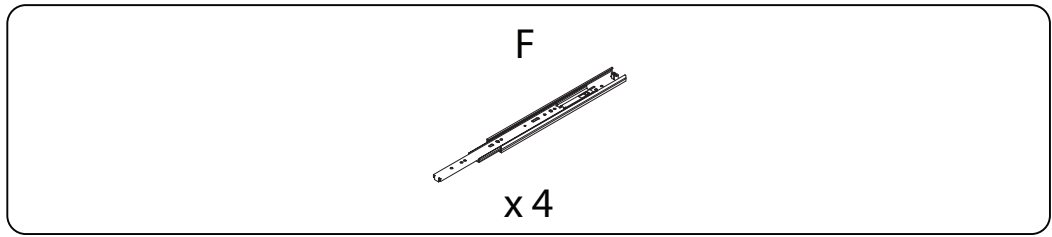
A2



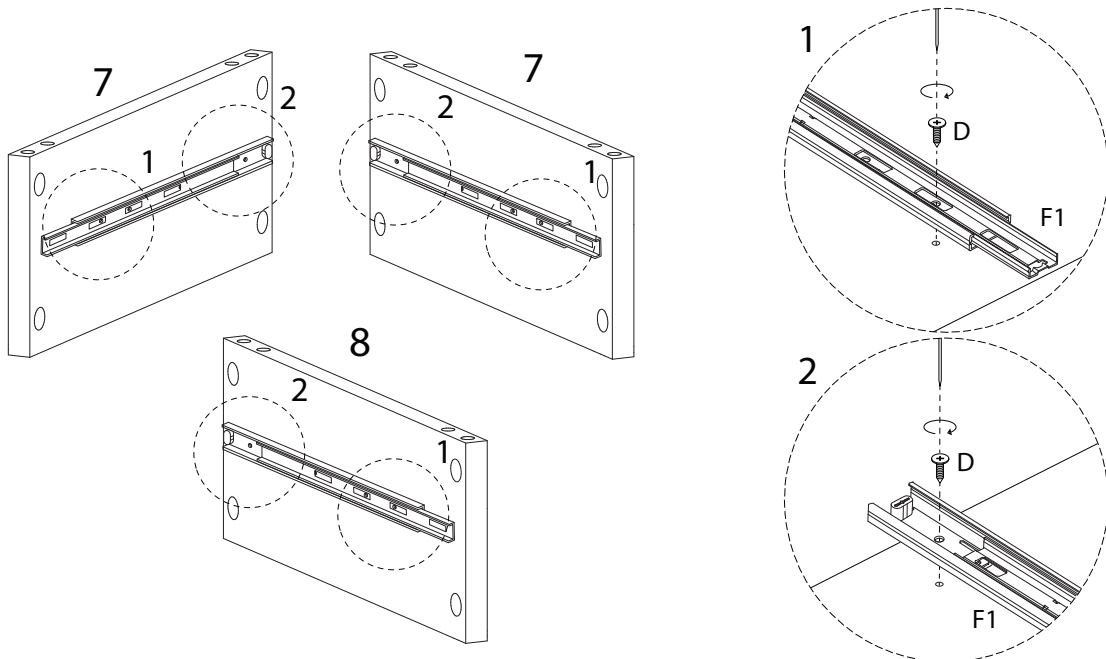
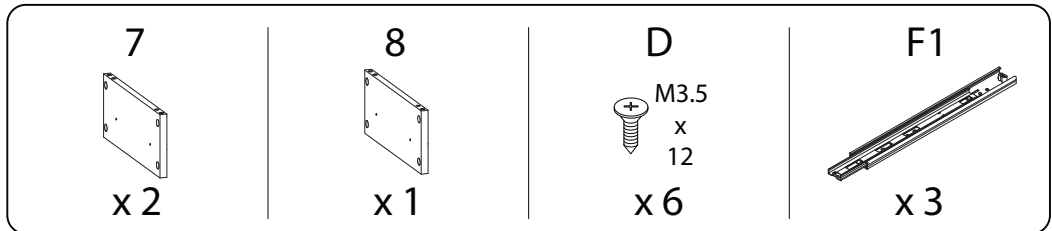
x 4



5

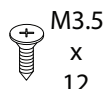


6



7

D

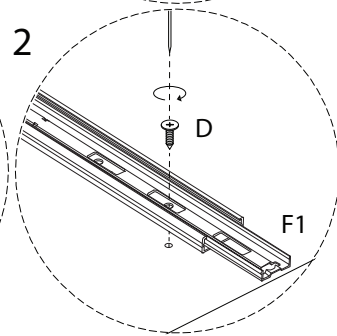
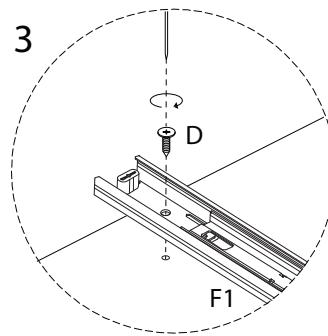
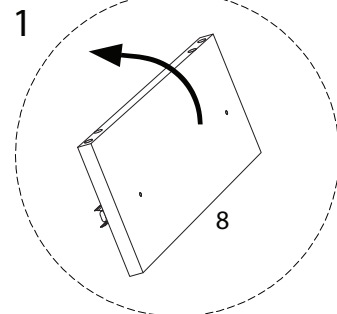
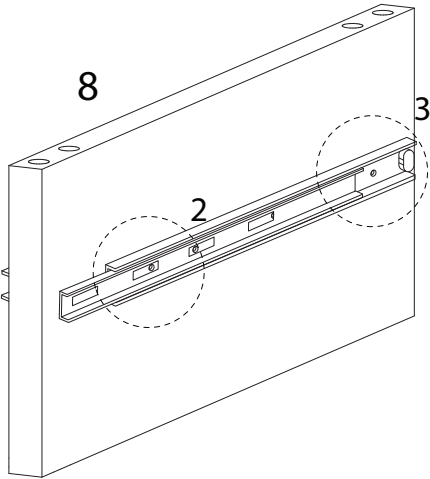


x 2

F1



x 1

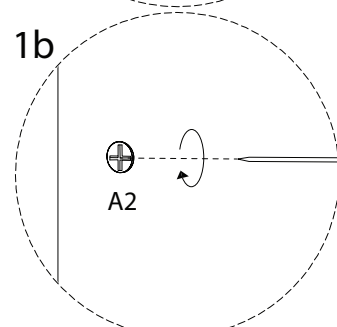
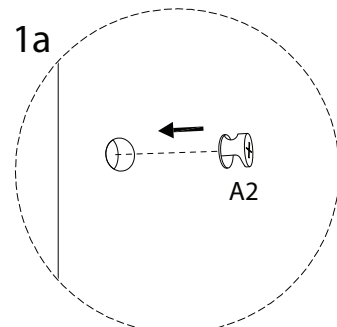
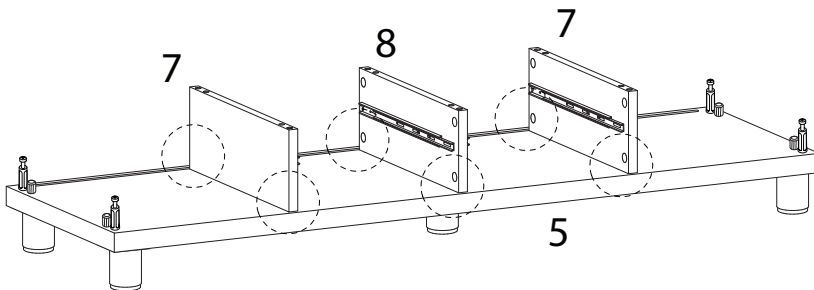


8

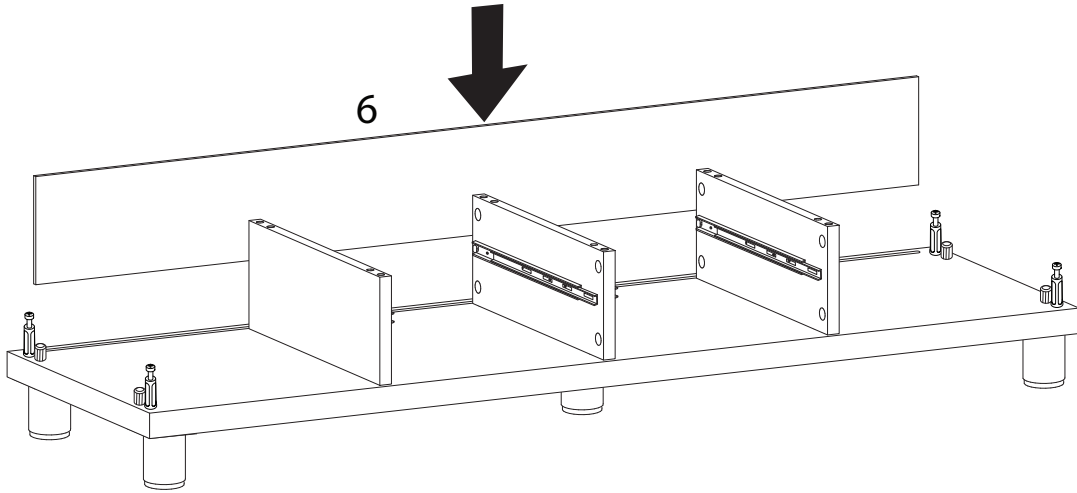
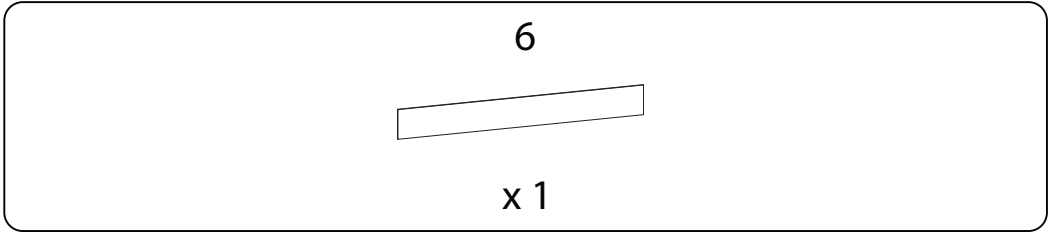
A2



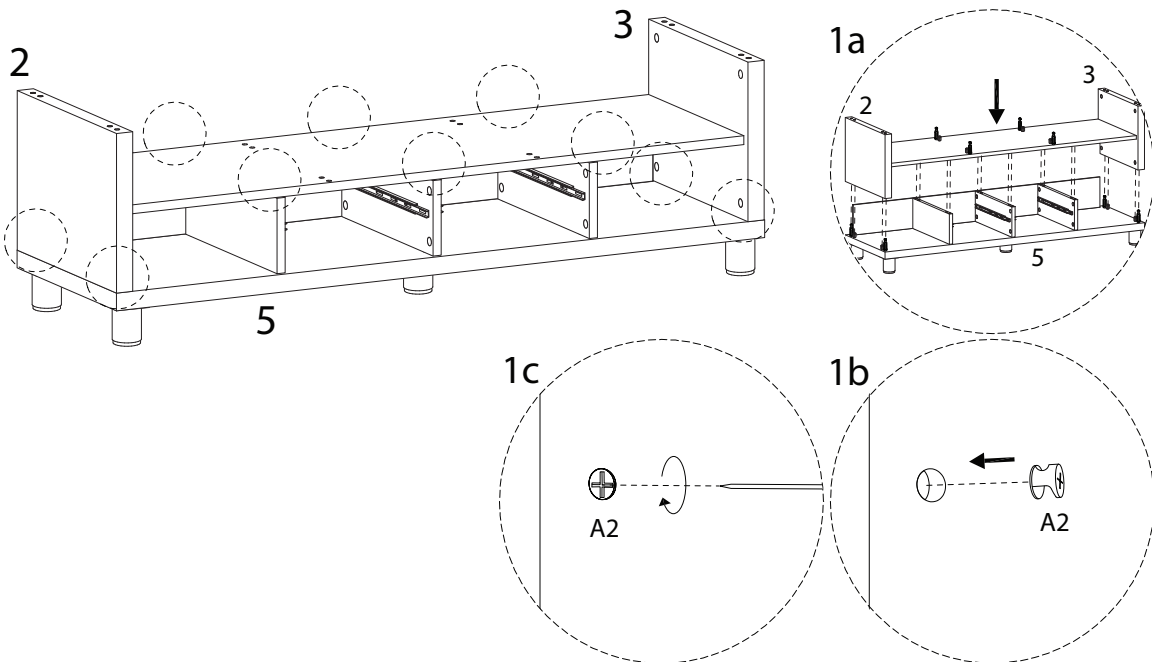
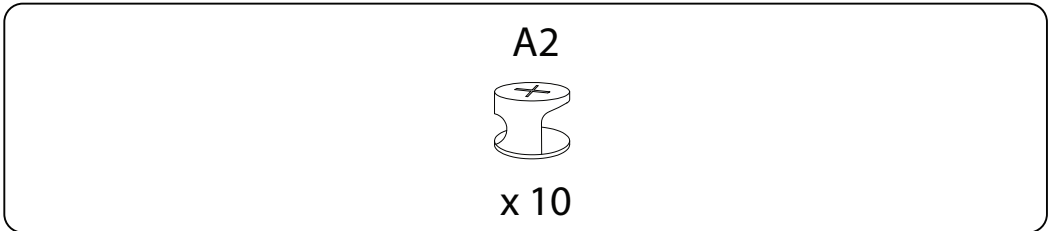
x 6



9



10



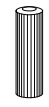
11

A1

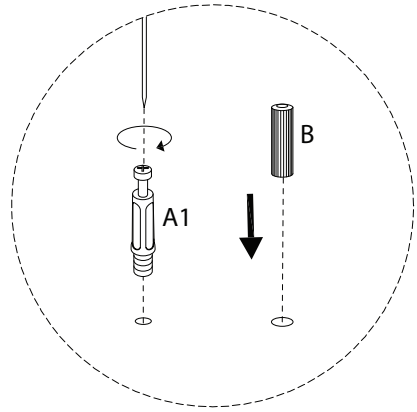
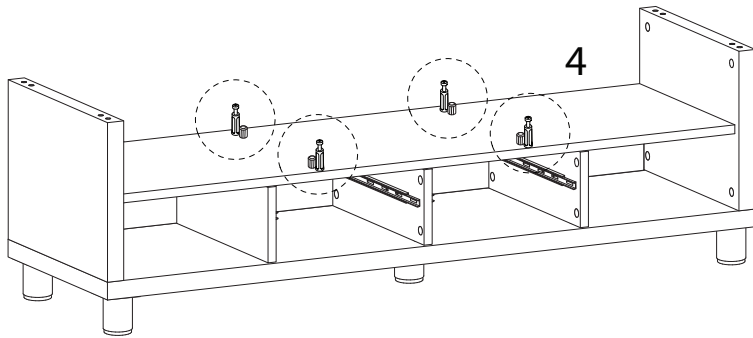


x 4

B

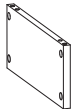


x 4



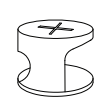
12

16

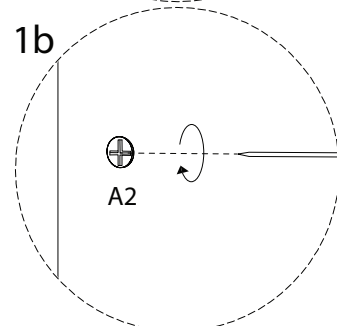
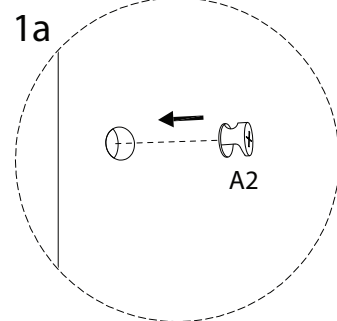
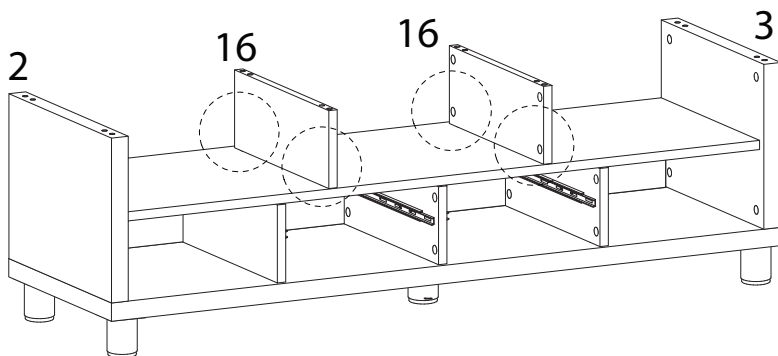


x 2

A2



x 4

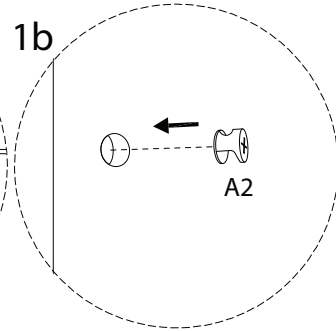
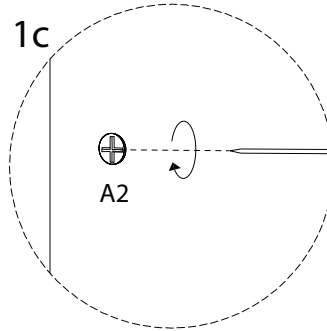
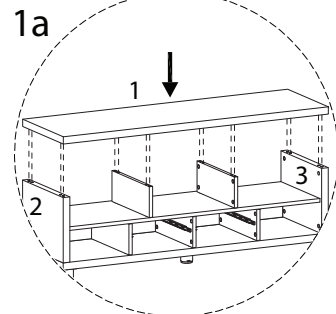
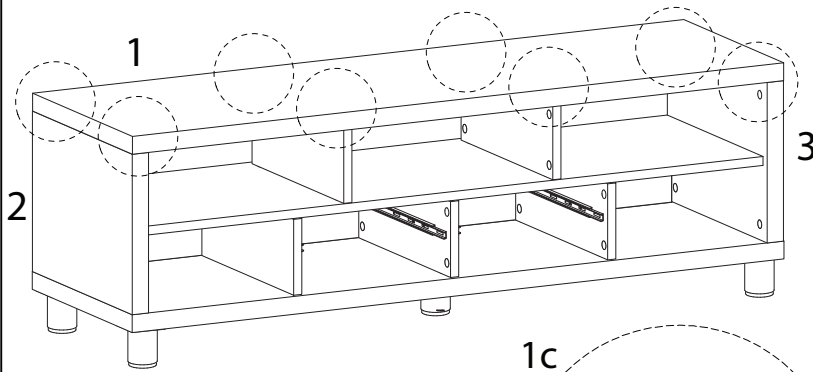


13

A2



x 8

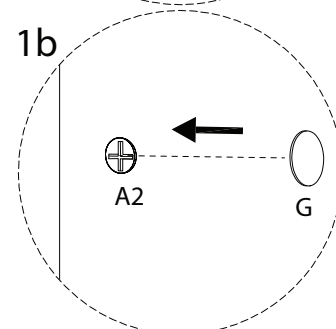
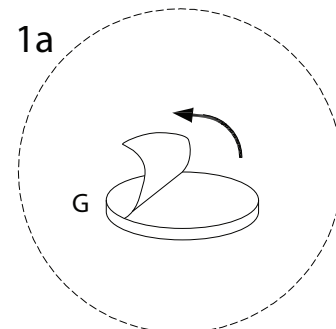
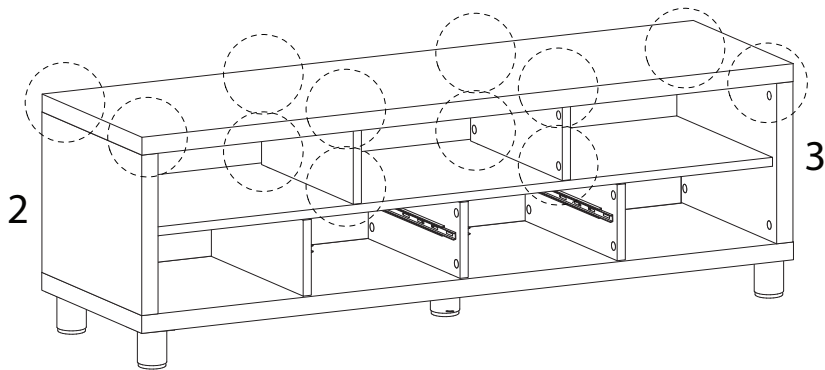


14

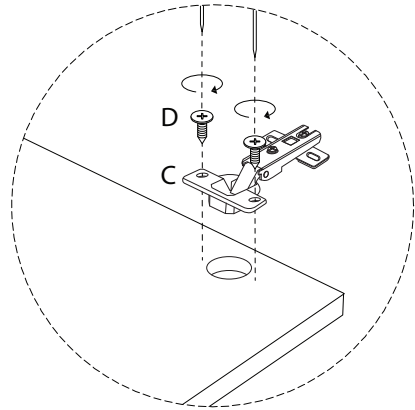
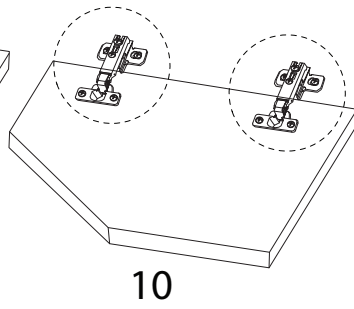
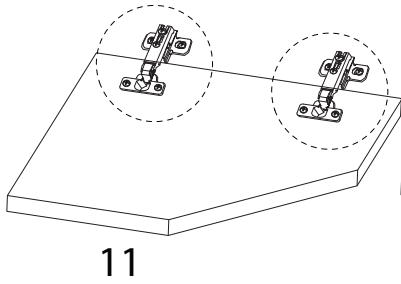
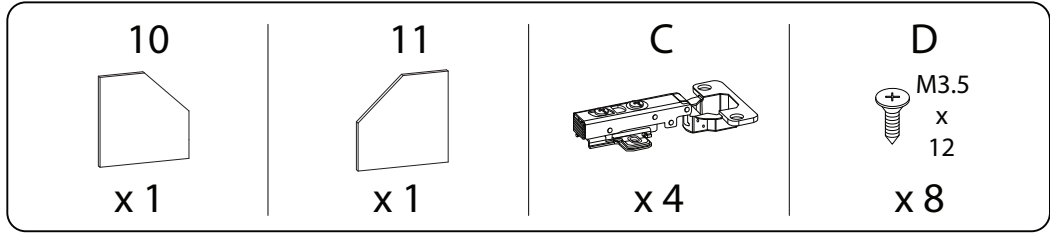
G



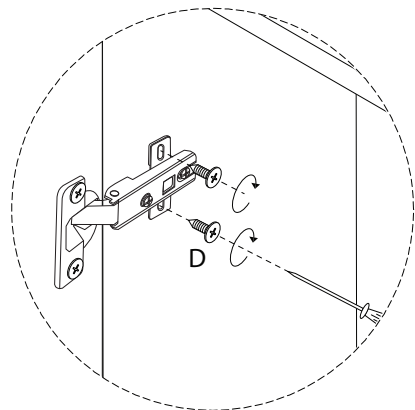
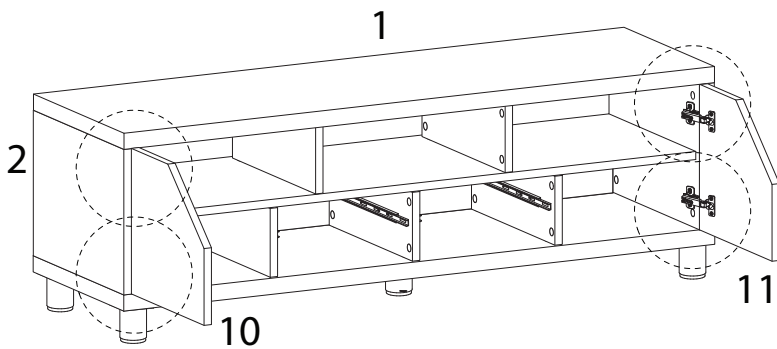
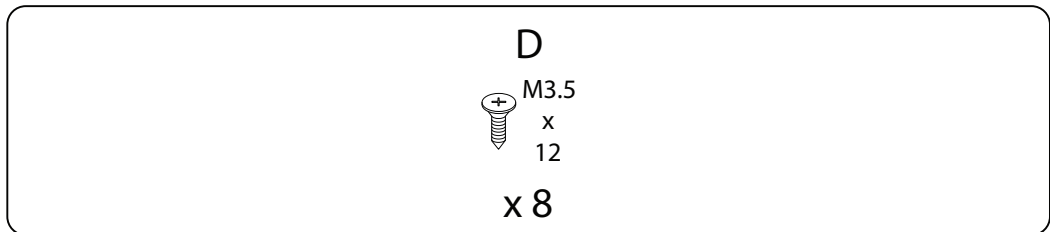
x 12



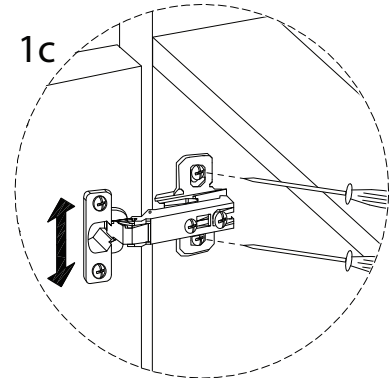
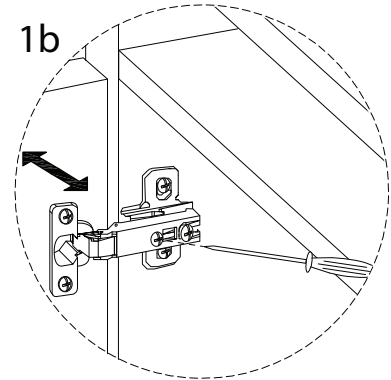
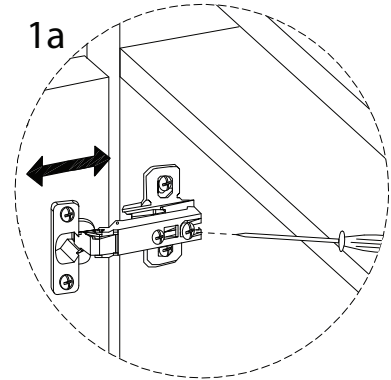
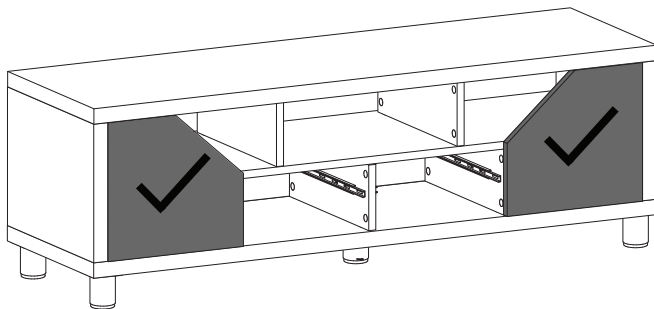
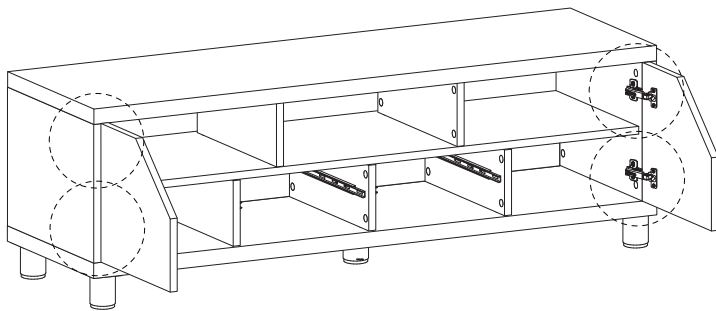
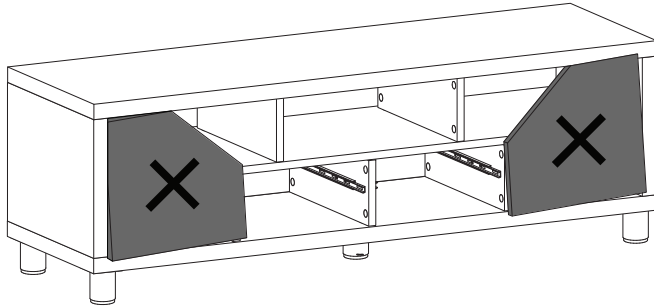
15



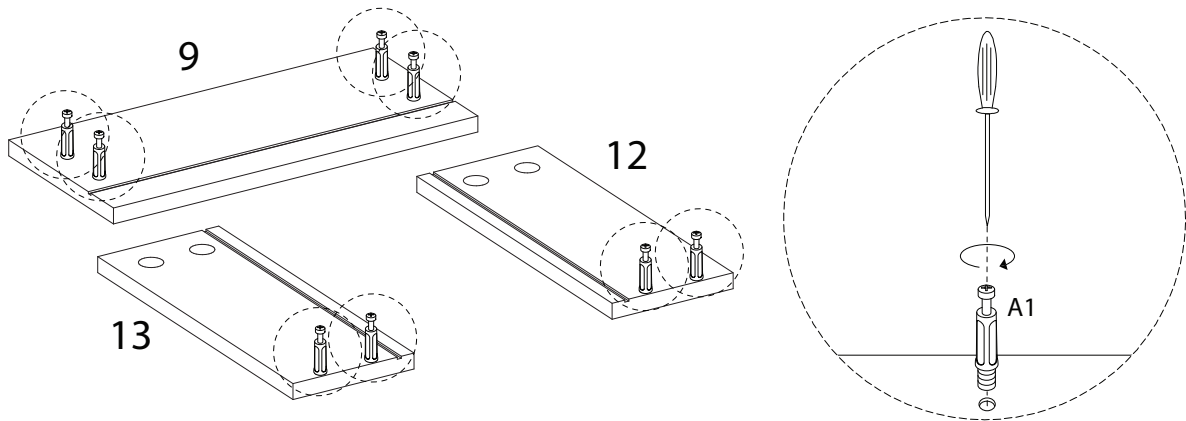
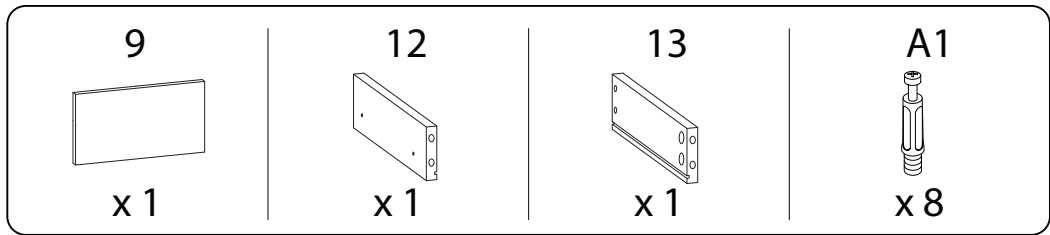
16



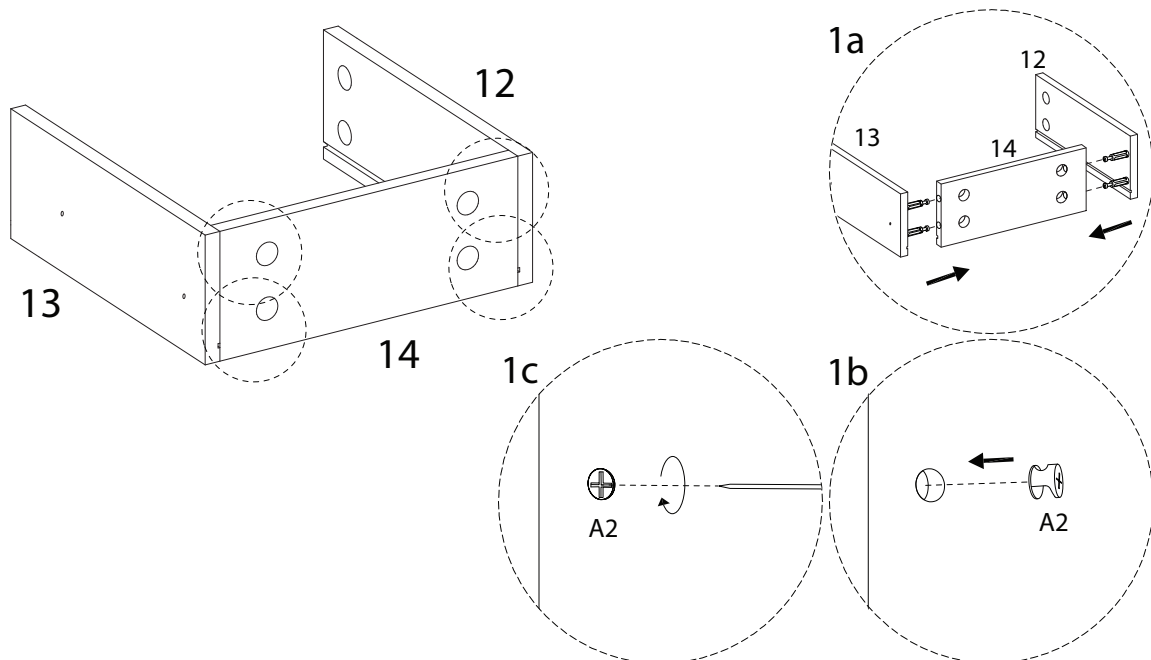
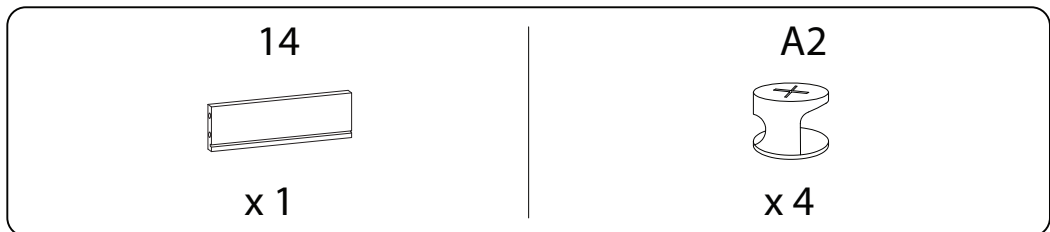
17



18 x 2



19 x 2

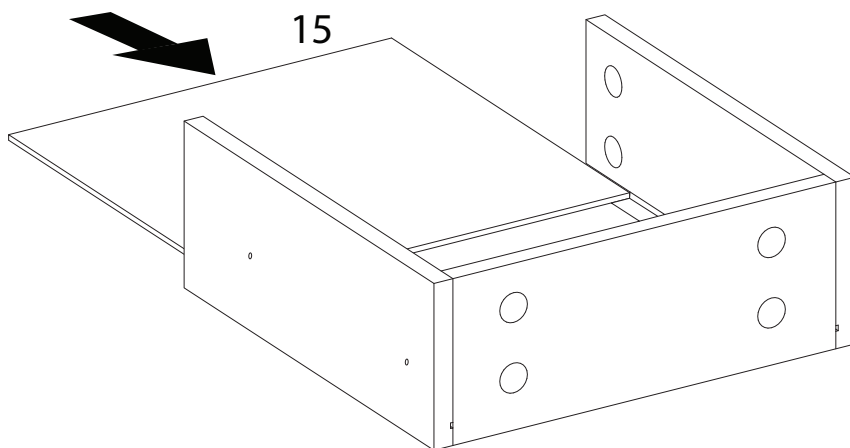


20 x 2

15



x 1

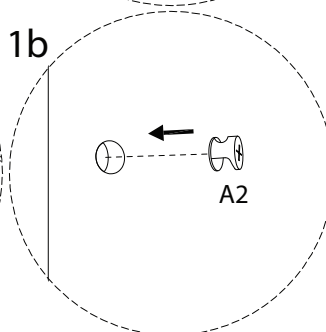
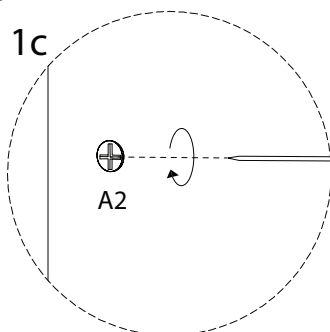
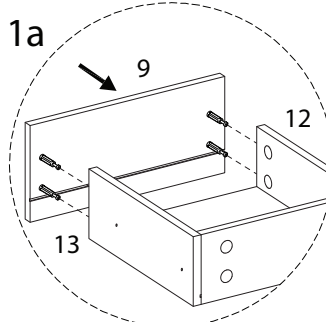
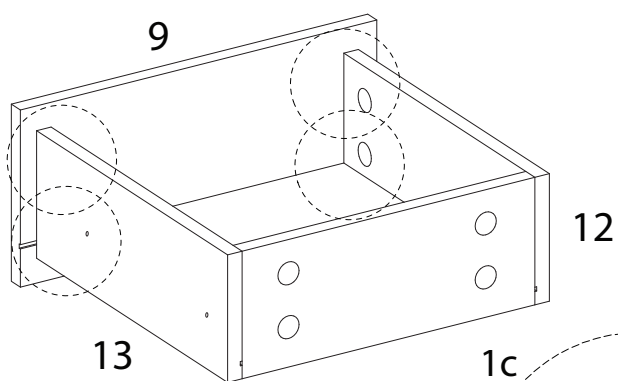


21 x 2

A2

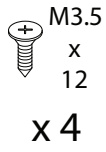


x 4

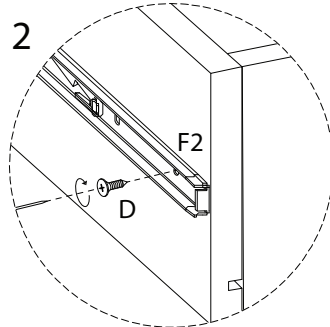
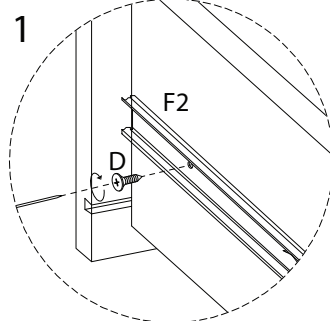
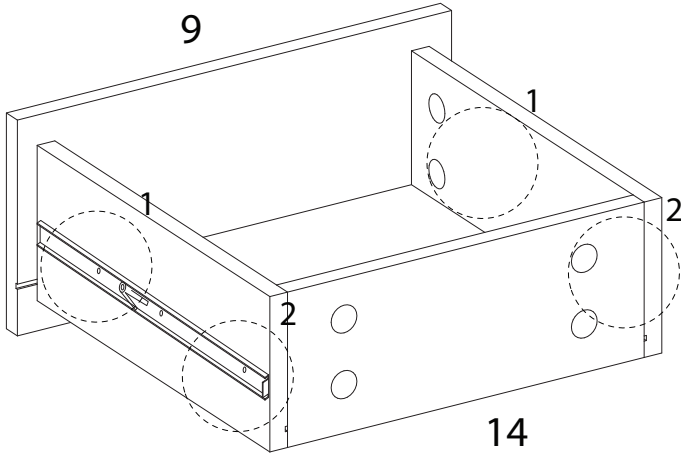
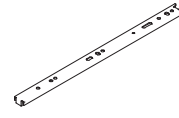


22 x 2

D



F2



23

