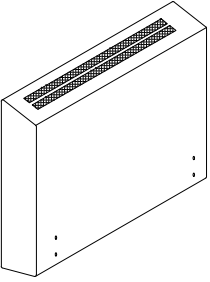
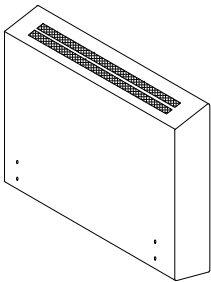
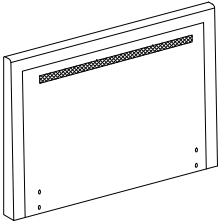
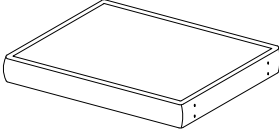
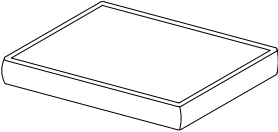
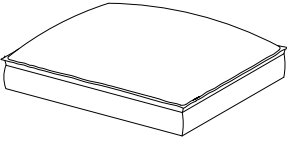
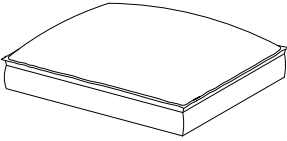
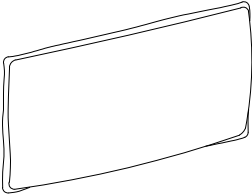
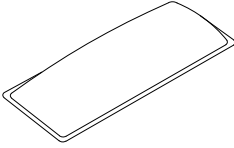
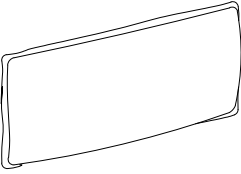
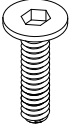
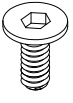
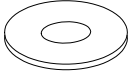


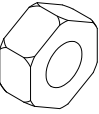
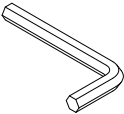
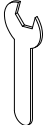

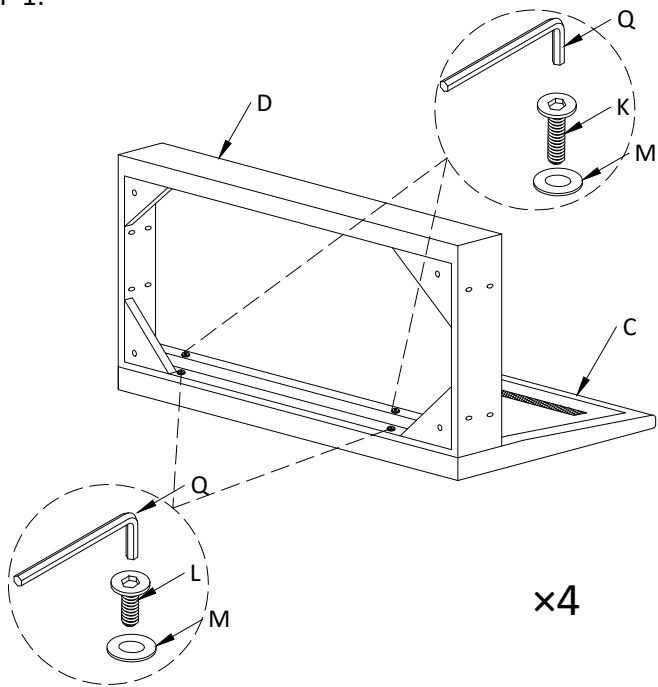


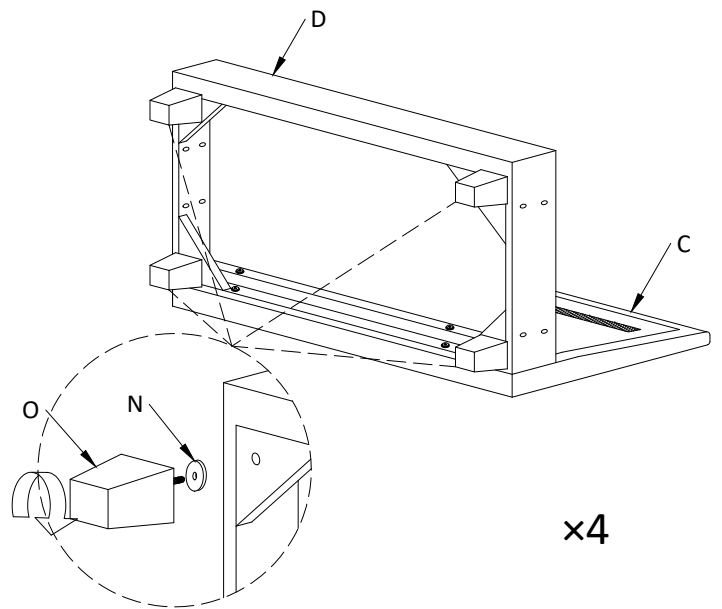
# ASSEMBLY INSTRUCTION

<p>A</p>  <p>x1</p>	<p>B</p>  <p>x1</p>	<p>C</p>  <p>x4</p>	<p>D</p>  <p>x4</p>	<p>E</p>  <p>x2</p>
<p>F</p>  <p>x4</p>	<p>G</p>  <p>x2</p>	<p>H</p>  <p>x4</p>	<p>I</p>  <p>x2</p>	<p>J</p>  <p>x4</p>
<p>K</p>  <p>Screw 8x70</p> <p>x20</p>	<p>L</p>  <p>Screw 8x45</p> <p>x16</p>	<p>M</p>  <p>Washer 8x19</p> <p>x48</p>	<p>N</p>  <p>Rubber Washer Ø40</p> <p>x28</p>	<p>O</p>  <p>Plastic Leg</p> <p>x28</p>
<p>P</p>  <p>Nutsert</p> <p>x12</p>	<p>Q</p>  <p>Allen Key M5</p> <p>x1</p>	<p>R</p>  <p>Open Spanner</p> <p>x1</p>	<p>S</p>  <p>Velcro</p> <p>x12</p>	

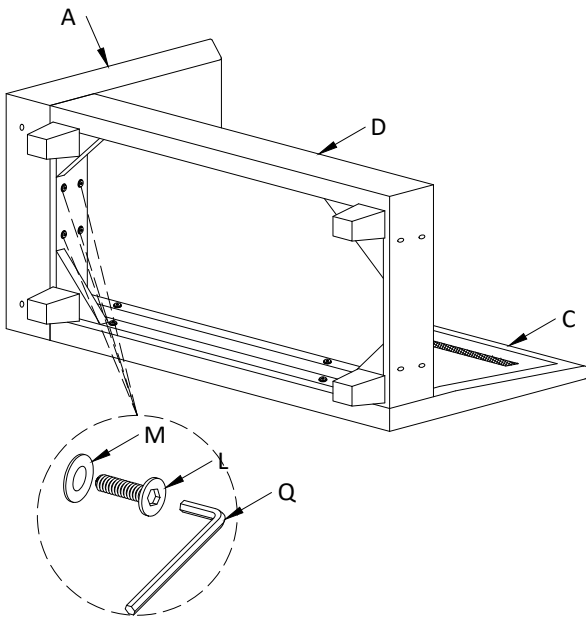
STEP 1:



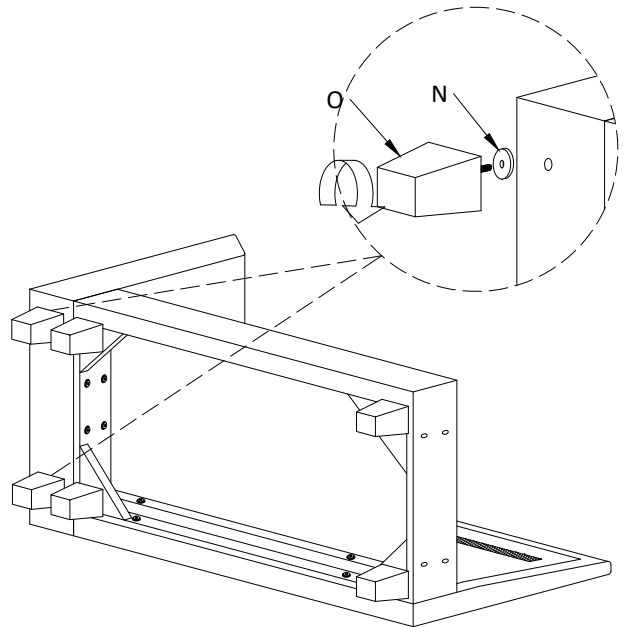
STEP 2:



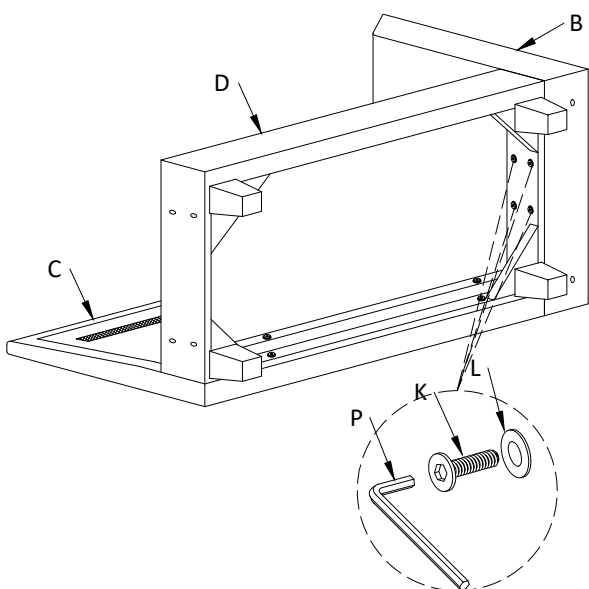
STEP 3:



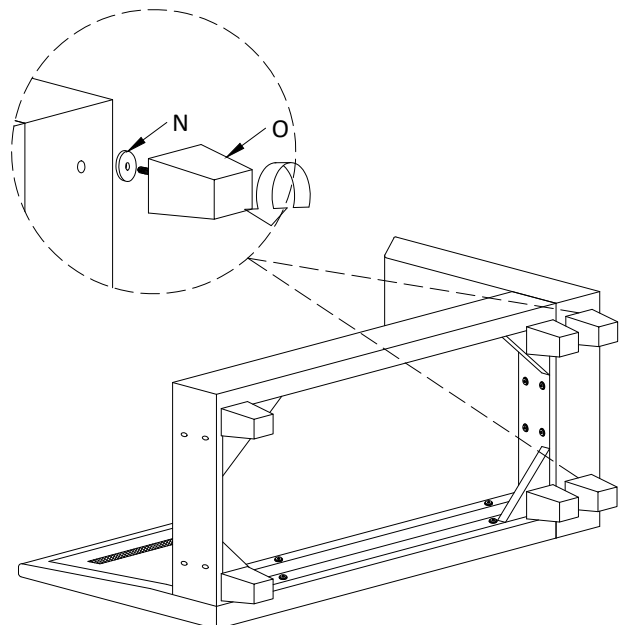
STEP 4:



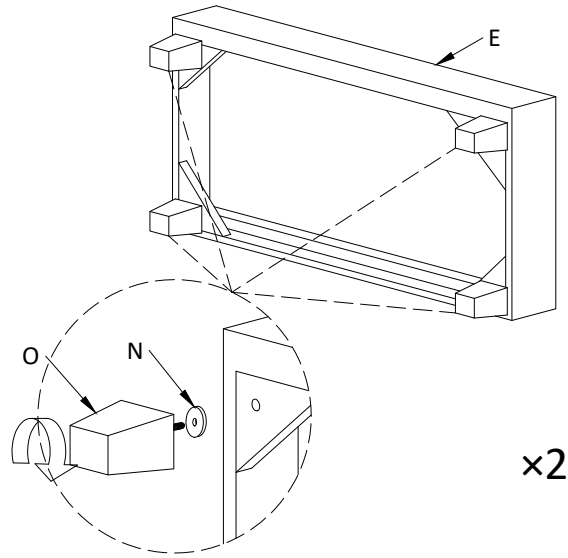
STEP 5:



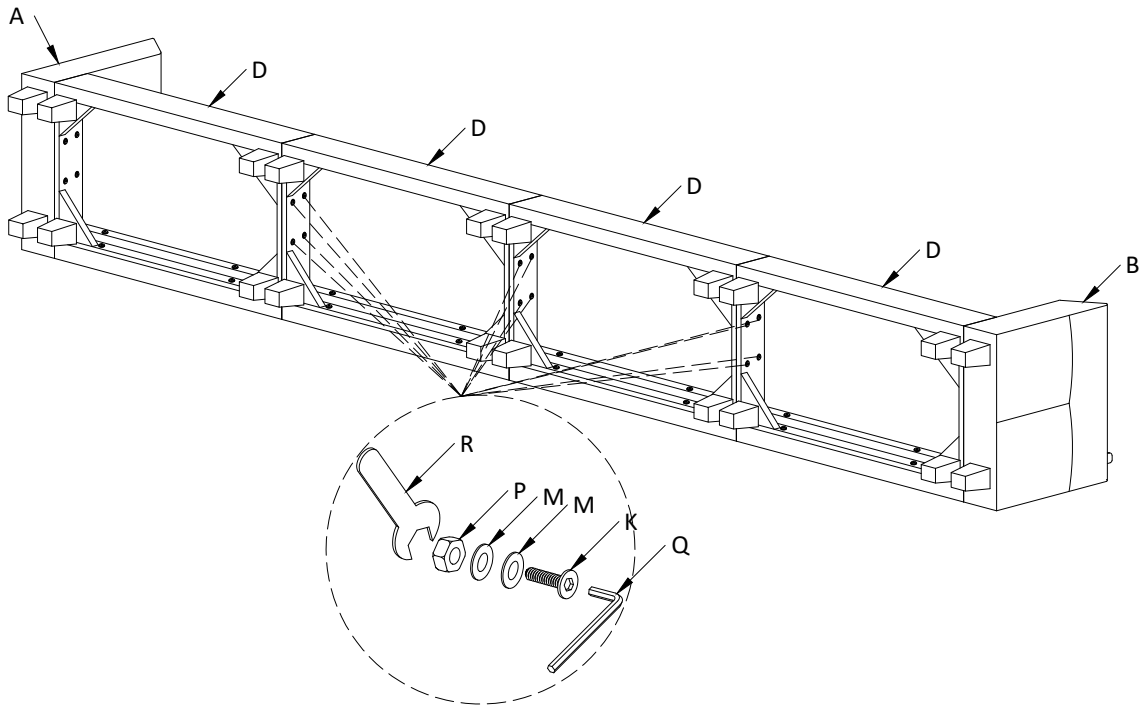
STEP 6:



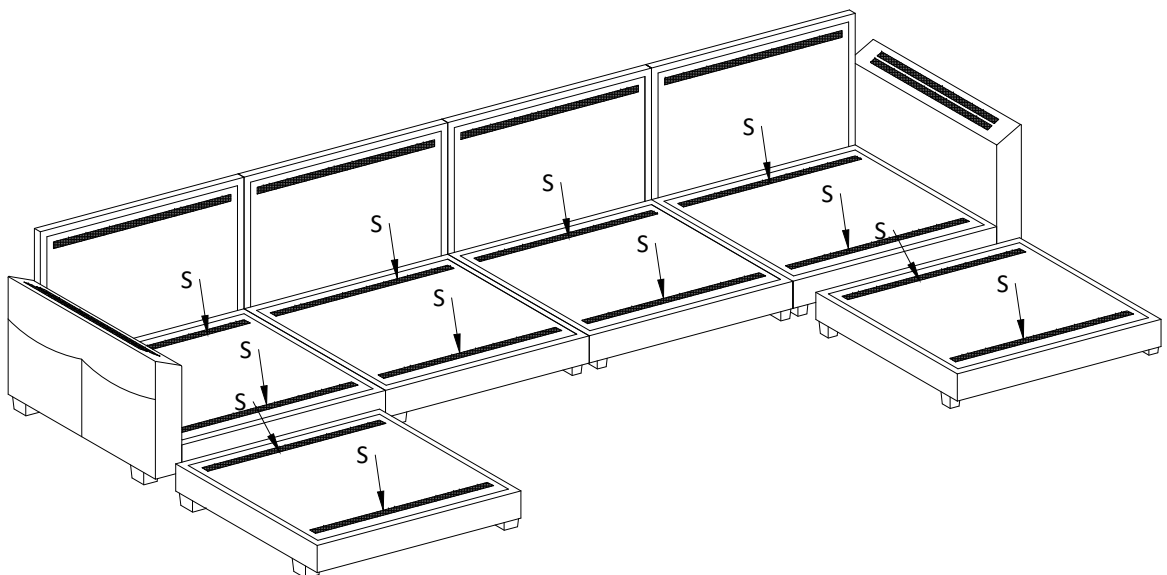
STEP 7:



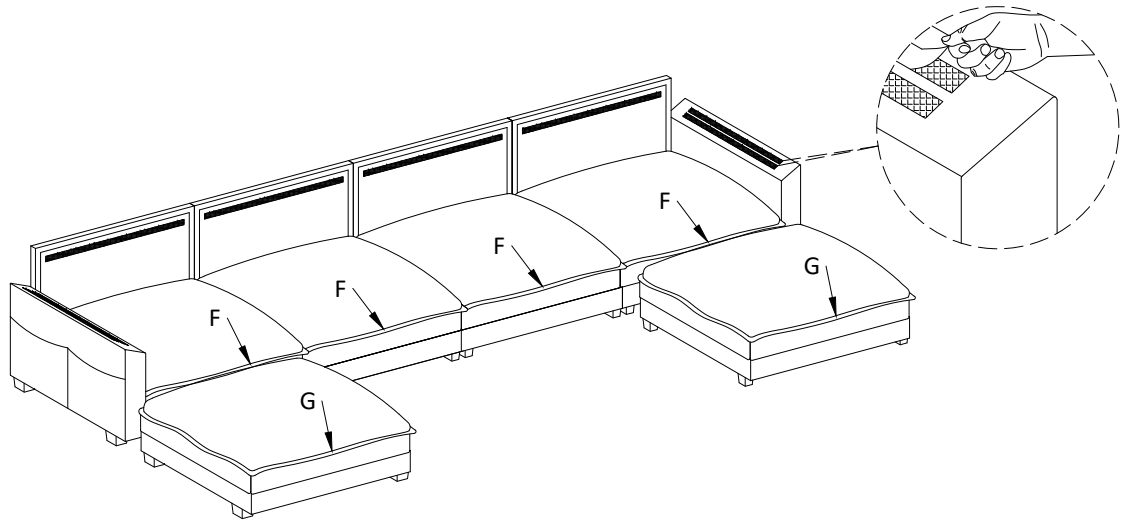
STEP 8:



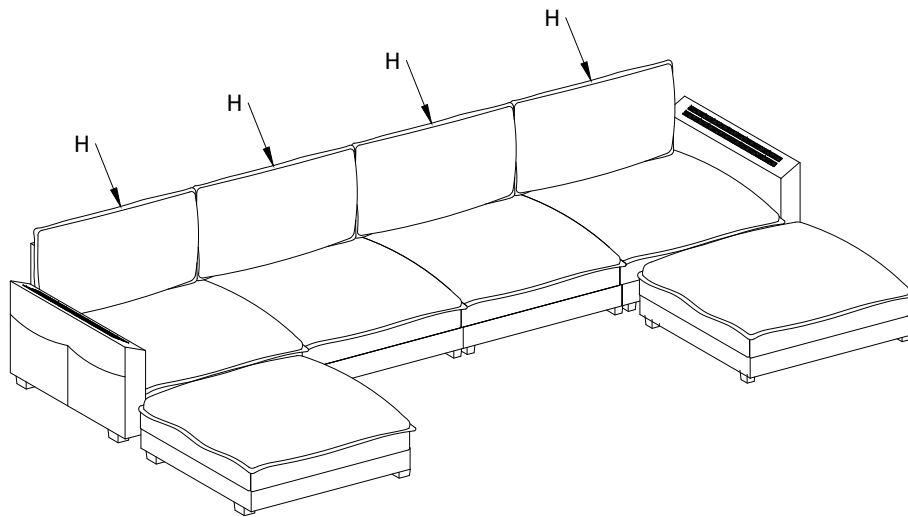
STEP 9:



STEP 10:



STEP 11:



STEP 12:

