

# ASSEMBLY INSTRUCTIONS



*Fine Furniture for every stage of life*

## *Dining Table*

---

REVISION 0: 11/18/2015  
REVISION 1: 08/02/2016  
REVISION 2: 12/01/2017  
REVISION 3: 07/13/2020

# ASSEMBLY INSTRUCTIONS

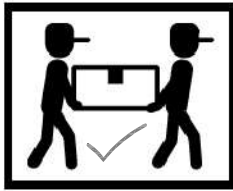
## ASSEMBLY TIPS :

1. Remove hardware from box and sort by size.
2. Please check to see that all hardware and parts are present prior to start of assembly.
3. Please follow attached instructions in the same sequence as numbered to assure fast & easy assembly.



### WARNING !

1. Don't attempt to repair or modify parts that are broken or defective. Please contact the store immediately.
2. This product is for home use only and not intended for commercial establishments.



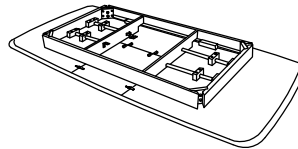
ASSEMBLY TIME

15 MINUTES

## PARTS IDENTIFICATION

AN

TOP



1PC

BN

LEG



4PCS

## HARDWARE IDENTIFICATION

1

**ALLEN WRENCH**  
(M5 x 65mm - BLK)



1PC

2

**BOLT**  
(M8 x 80mm - RBW)



8PCS

3

**LOCK WASHER**  
(5/16" - RBW)



8PCS

4

**FLAT WASHER**  
(5/16" - RBW)



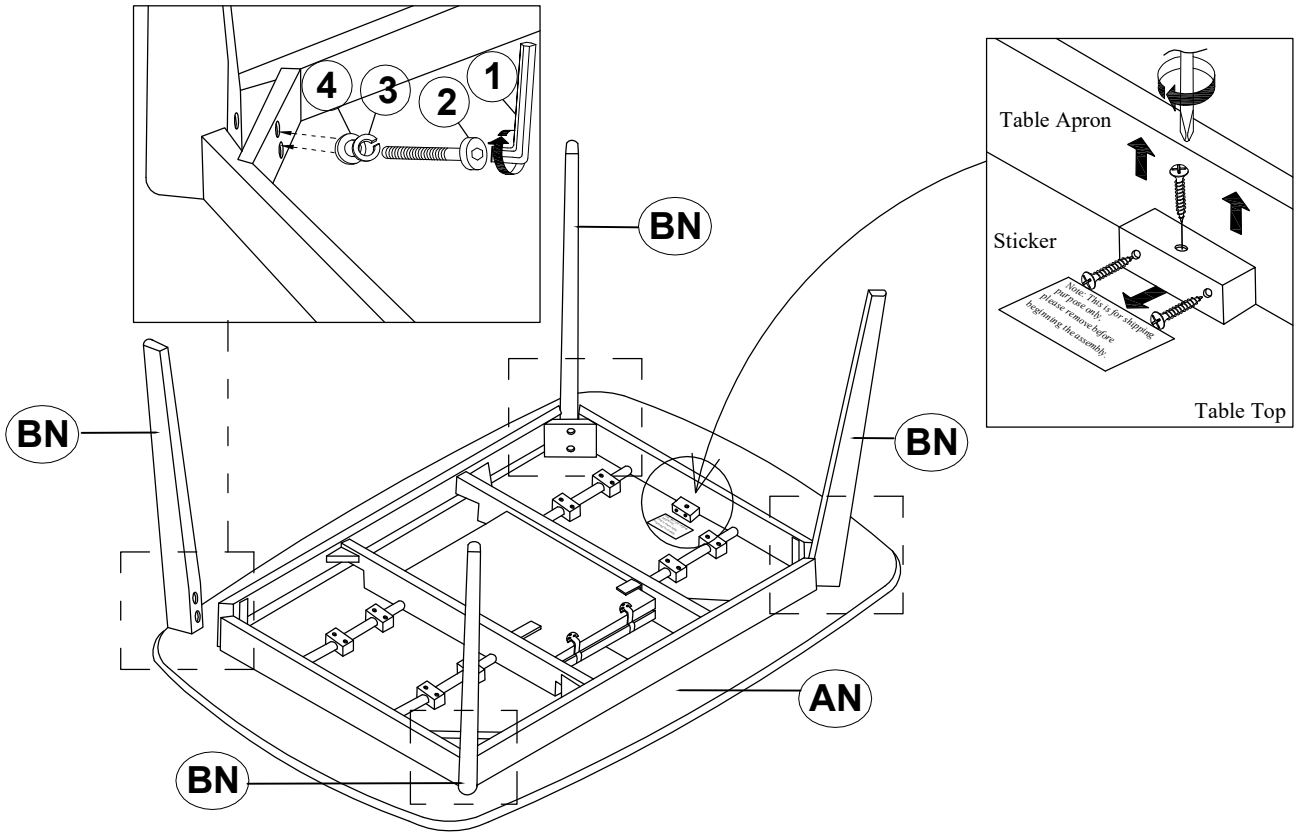
8PCS

### NOTE :

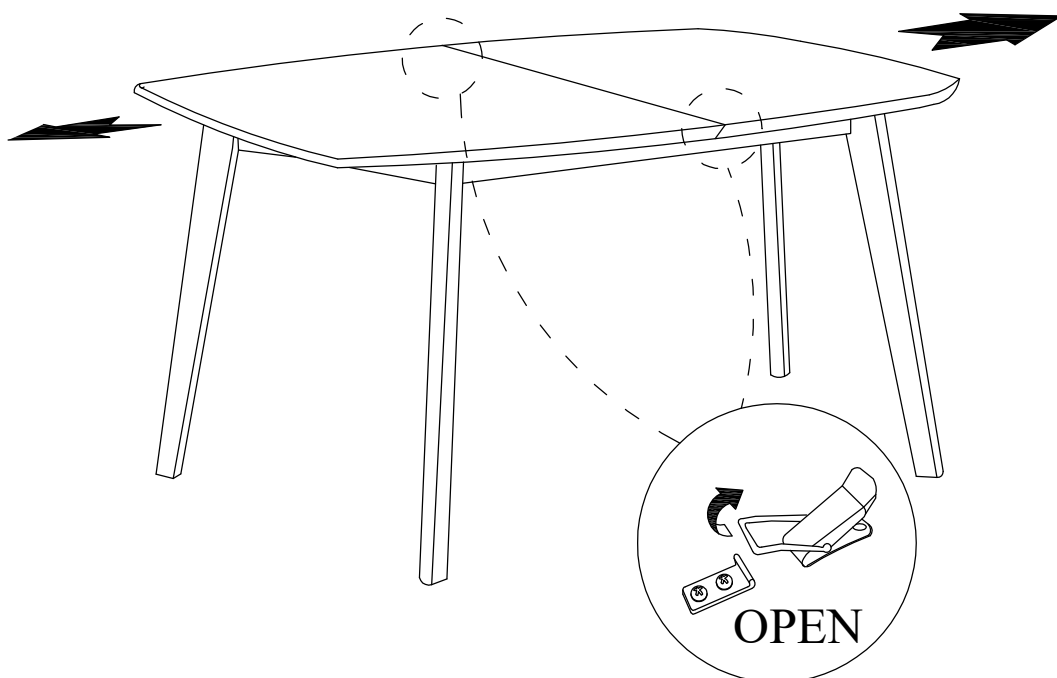
Phillips head screw driver is required in the assembly process ; However, manufacturer not provide this item.

# ASSEMBLY INSTRUCTIONS

## STEP 1

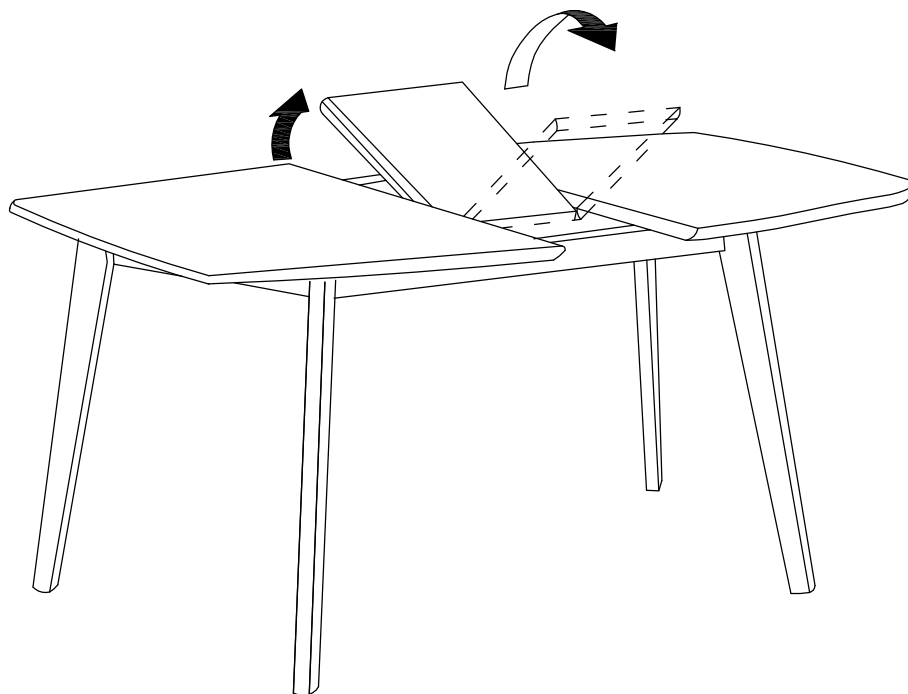


## STEP 2

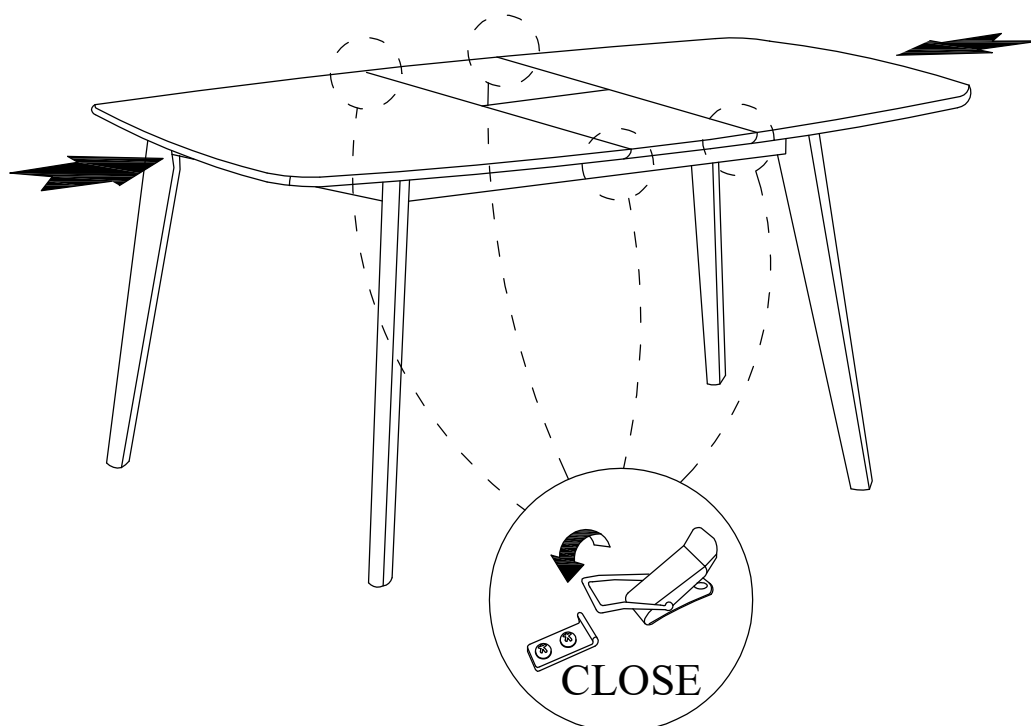


## ASSEMBLY INSTRUCTIONS

### STEP 3

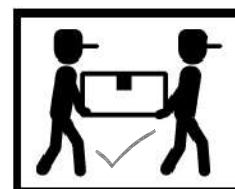
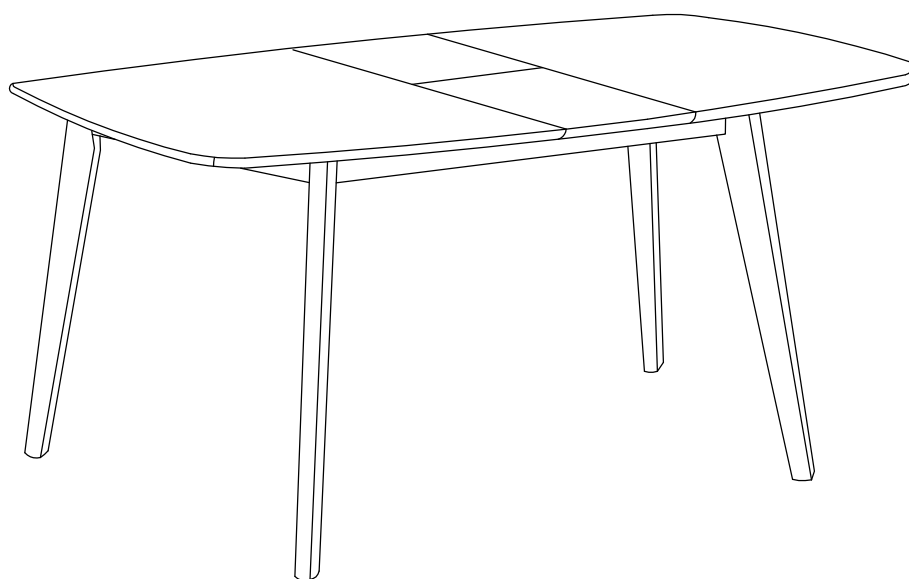


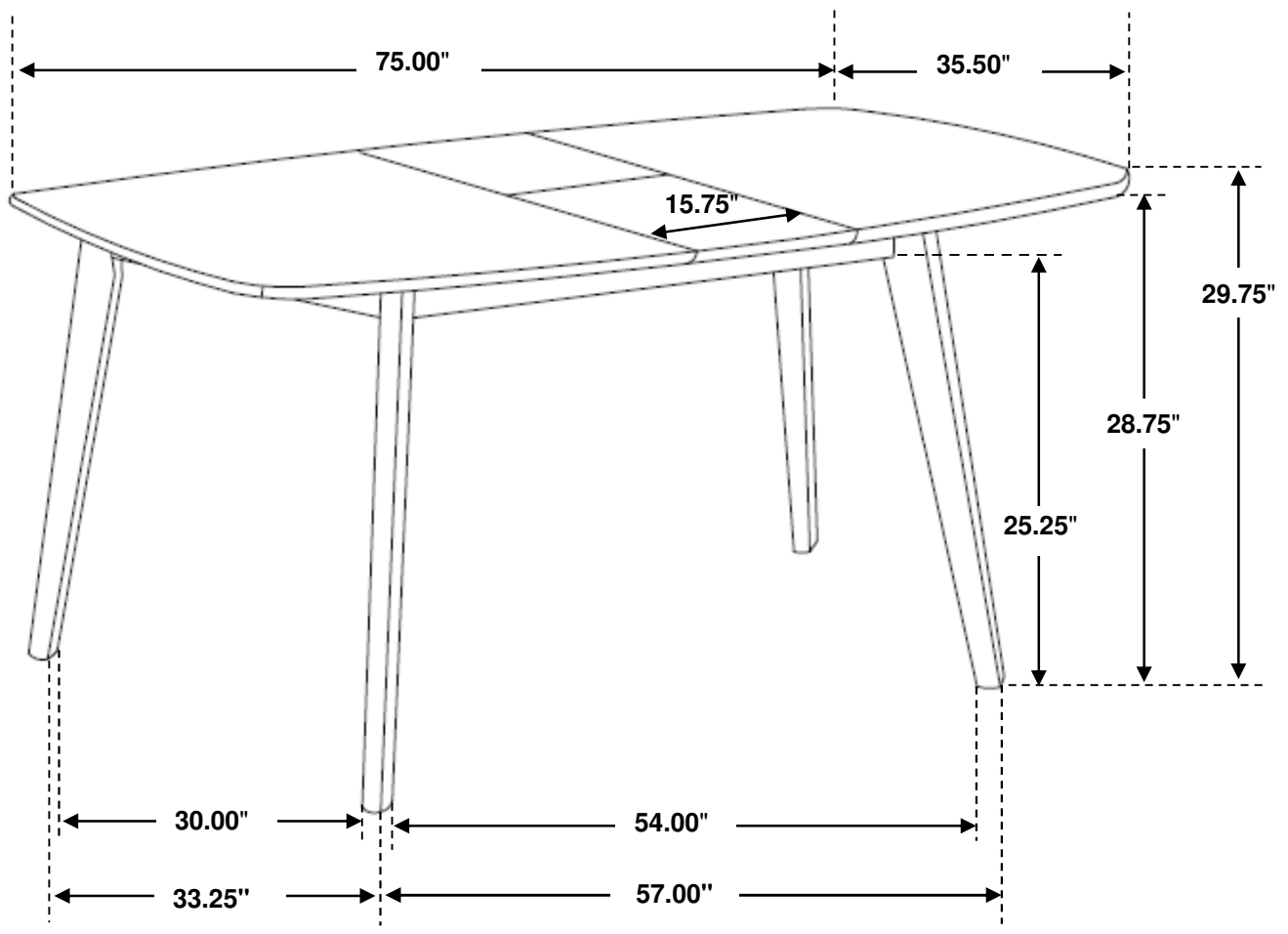
### STEP 4



## ASSEMBLY INSTRUCTIONS

### STEP 5 COMPLETE





**Note: Dimension tolerance  $\pm 5\%$**

# *ASSEMBLY INSTRUCTIONS*



*Fine Furniture for every stage of life*

## *Dining Side Chair*

REVISION 0: 05/08/2019  
REVISION 1: 11/30/2023

# ASSEMBLY INSTRUCTIONS

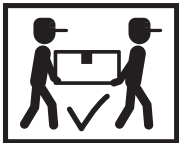
## ASSEMBLY TIPS :

1. Remove hardware from box and sort by size.
2. Please check to see that all hardware and parts are present prior to start of assembly.
3. Please follow attached instructions in the same sequence as numbered to assure fast & easy assembly.



### WARNING !

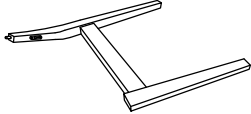
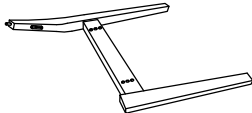



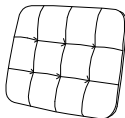

1. Don't attempt to repair or modify parts that are broken or defective. Please contact the store immediately.
2. This product is for home use only and not intended for commercial establishments.



ASSEMBLY TIME

15 MINUTES

## PARTS IDENTIFICATION

A	RIGHT LEG FRAME		1PC
B	LEFT LEG FRAME		1PC
C	FRONT RAIL (LONG)		1PC
D	BACK RAIL (SHORT)		1PC
E	BACKREST		1PC
F	BACK CUSHION (SMALL)		1PC
G	SEAT CUSHION (BIG)		1PC

# ASSEMBLY INSTRUCTIONS

## ASSEMBLY TIPS :


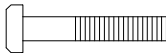





1. Remove hardware from box and sort by size.
2. Please check to see that all hardware and parts are present prior to start of assembly.
3. Please follow attached instructions in the same sequence as numbered to assure fast & easy assembly.



### WARNING !

1. Don't attempt to repair or modify parts that are broken or defective. Please contact the store immediately.
2. This product is for home use only and not intended for commercial establishments.

## HARDWARE IDENTIFICATION

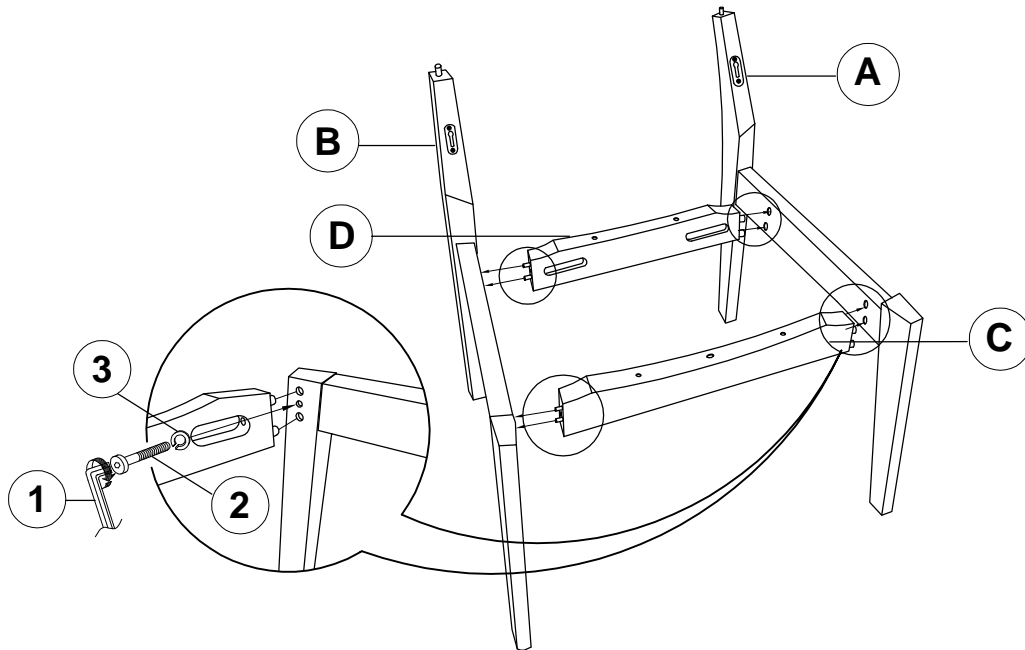
1	<b>ALLEN WRENCH</b> (M4 x 110mm - BLK)		1PC
2	<b>BOLT</b> (M6 x 40mm - RBW)		4PCS
3	<b>LOCK WASHER</b> (1/4" - BLK)		4PCS
4	<b>LONG PAN HEAD SCREW</b> (#8 x 1-1/4" - BLK)		4PCS
5	<b>SHORT PAN HEAD SCREW</b> (#8 x 1" - BLK)		4PCS
6	<b>CAM BOLT</b> (263.20.847 - ZB)		2PCS
7	<b>WOOD DOWEL</b> (M8 x 30mm)		1PC

### NOTE:

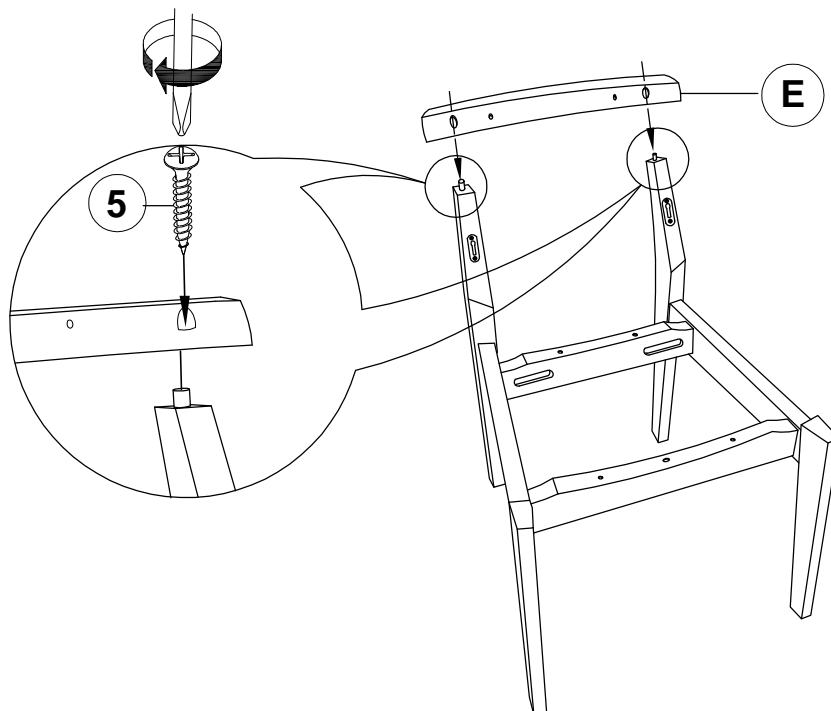
Phillips head screw driver is required in the assembly process; however, manufacturer does not provide this item. Quantities shown are for one chair.

# ASSEMBLY INSTRUCTIONS

## STEP 1

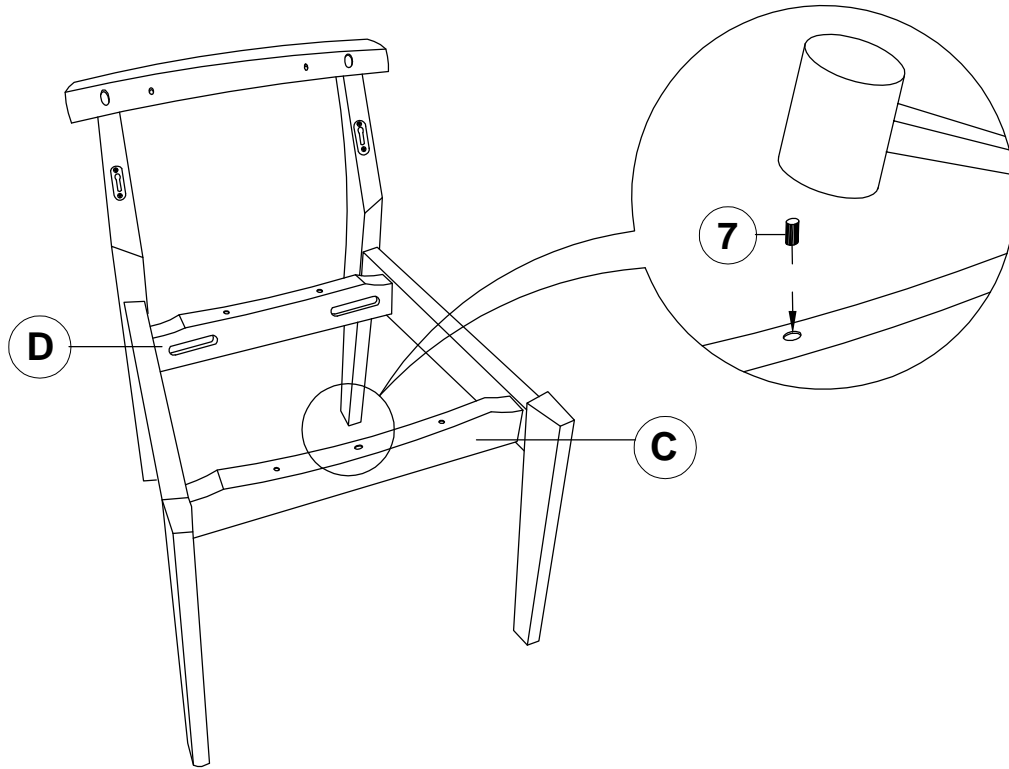


## STEP 2

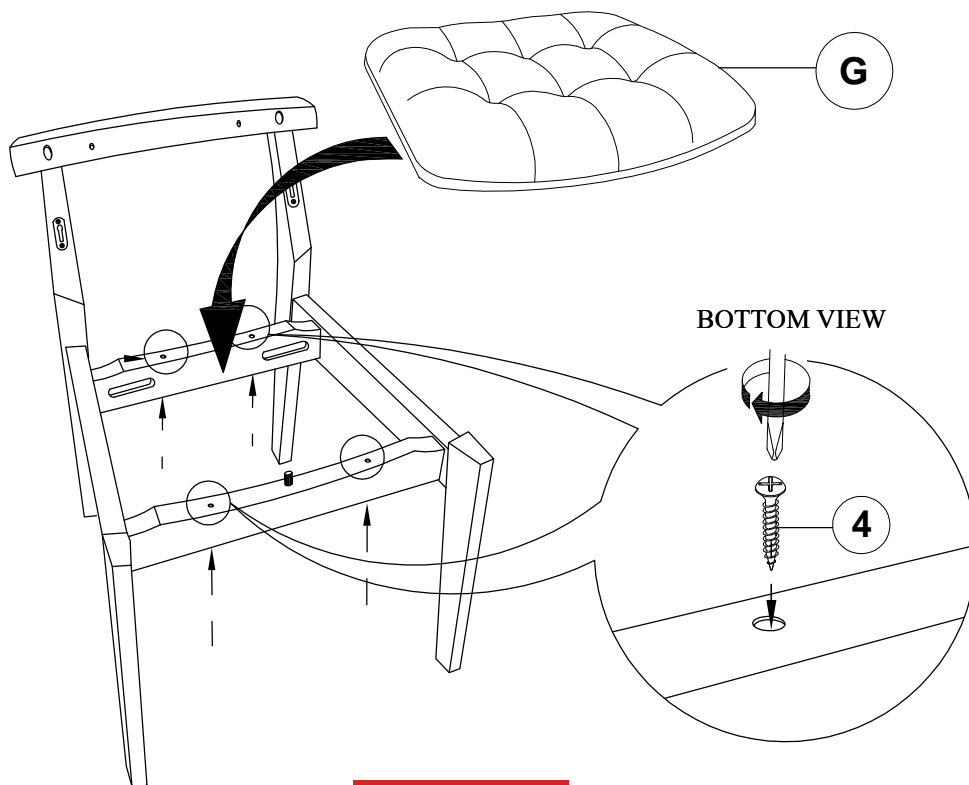


# ASSEMBLY INSTRUCTIONS

## STEP 3

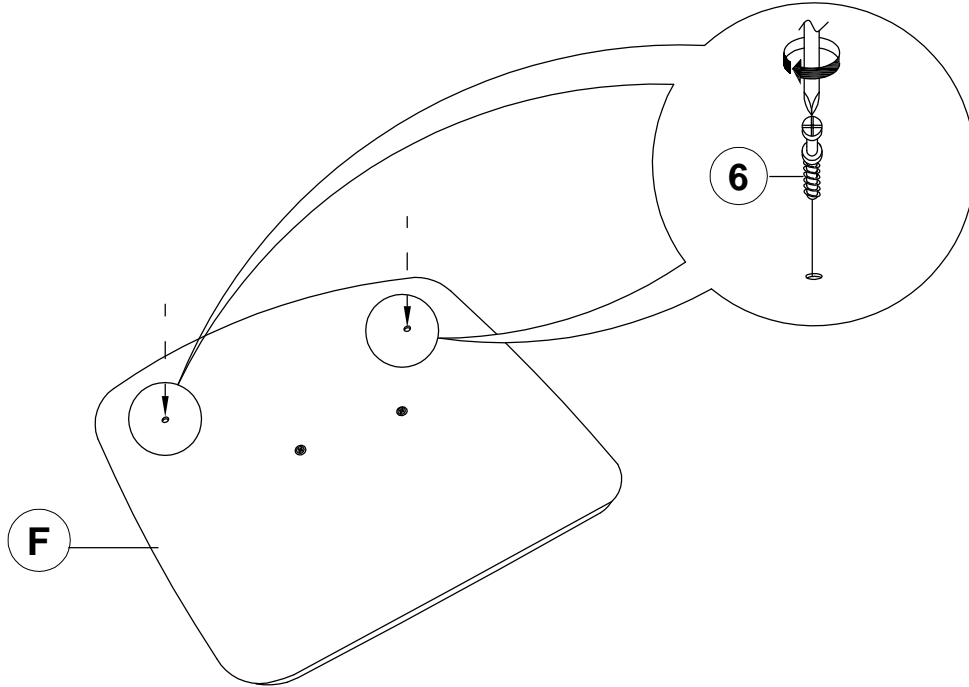


## STEP 4

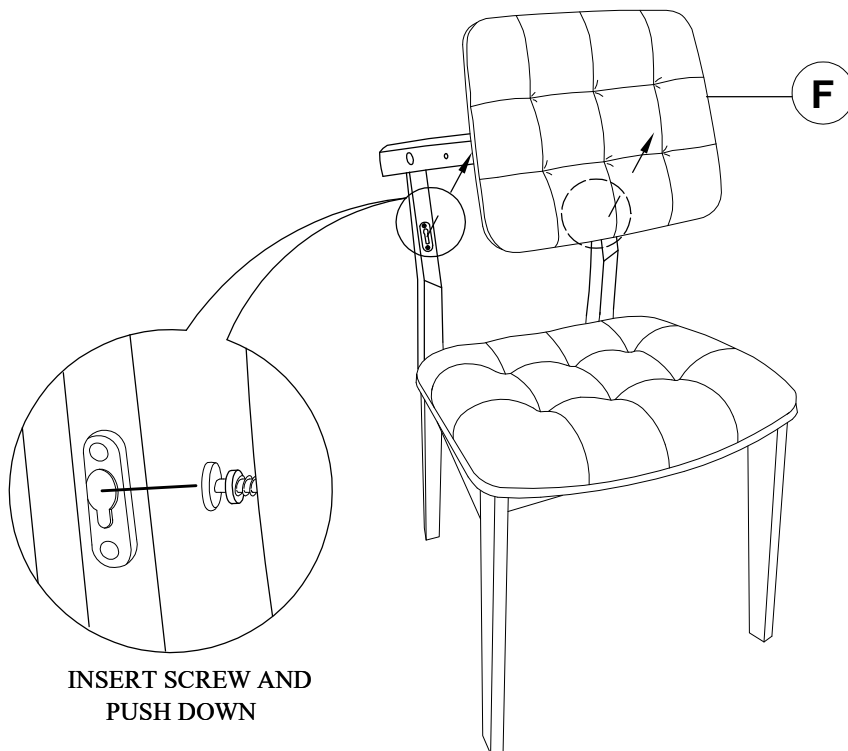


# ASSEMBLY INSTRUCTIONS

## STEP 5

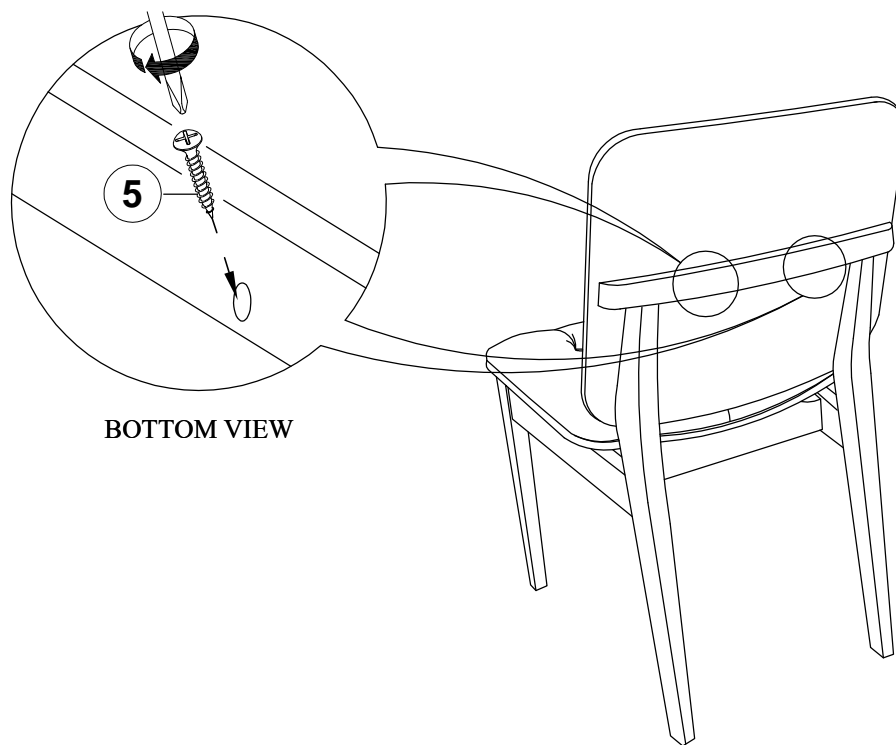


## STEP 6



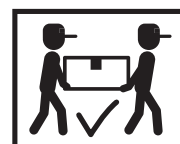
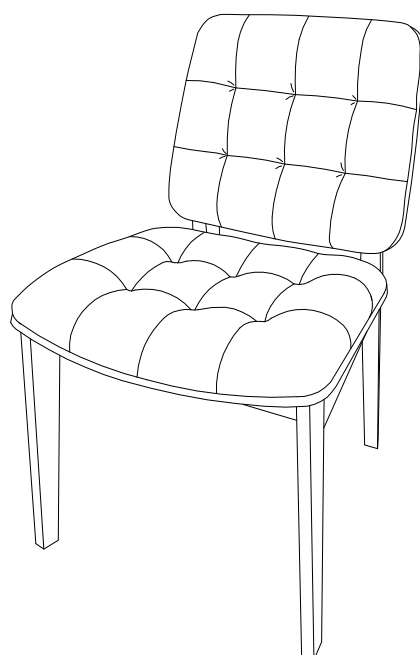
# ASSEMBLY INSTRUCTIONS

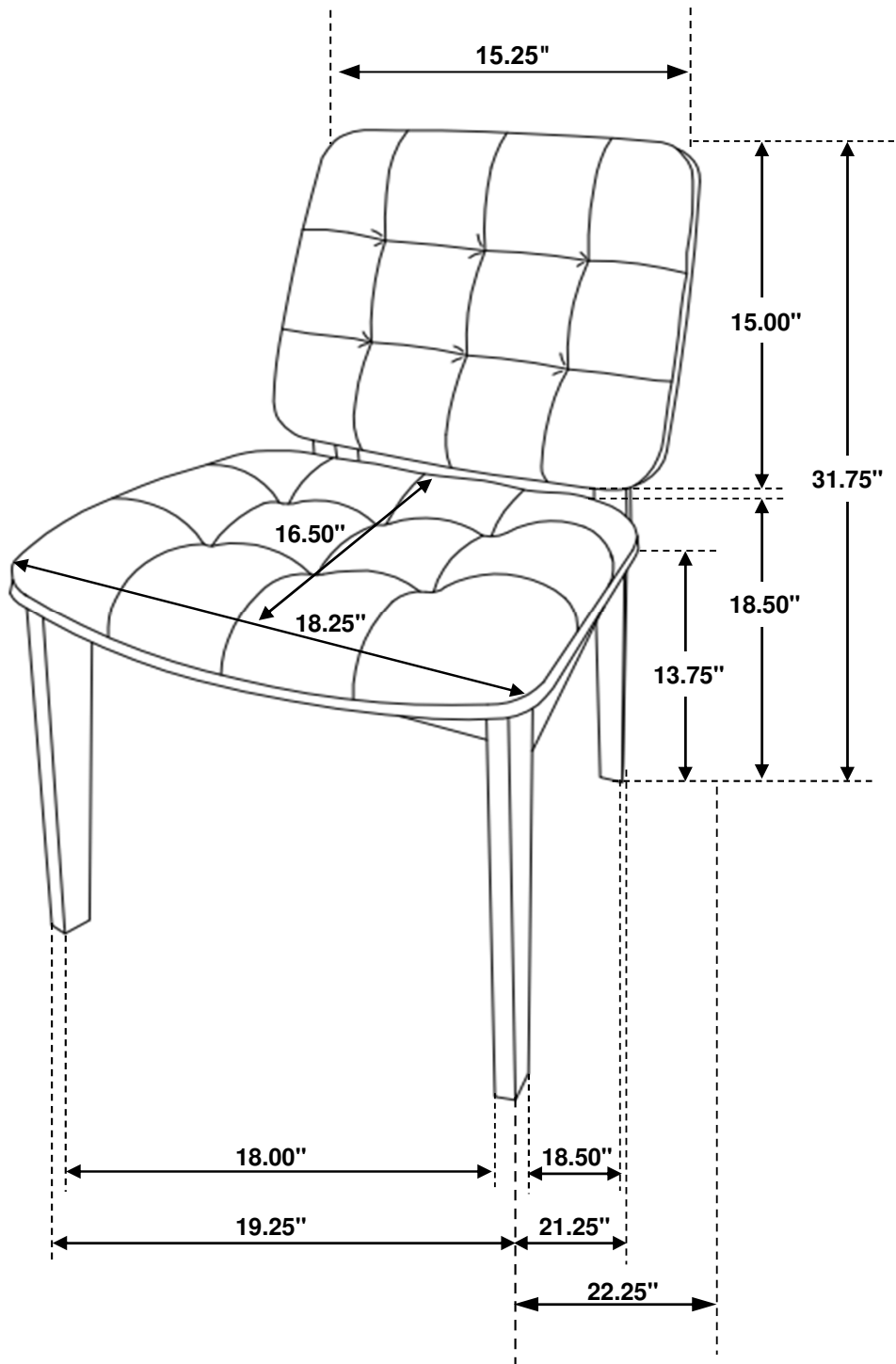
## STEP 7



BOTTOM VIEW

## STEP 8 COMPLETE





**Note: Dimension tolerance  $\pm 5\%$**